

N-6531

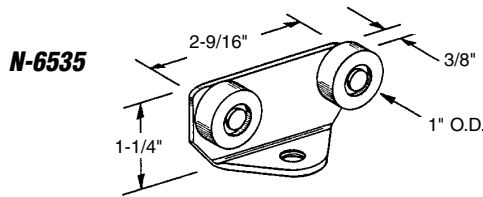
N-6531

Roller

Contents: 2 roller assemblies; 4 no. 8 x 1-1/4" Phillips pan head sheet metal screws.

Description: Tandem wheels; top mounting; adjustable **steel** bracket; 7/8" diameter **round edge nylon** wheel; fits 3/4" to 1-3/4" thick doors; fits on **Acme**.

You may wish to stock these related parts: **N-6566; N-6567.**



N-6535

N-6535

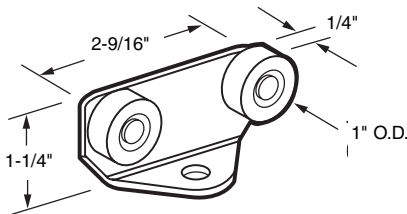
Roller

Contents: 2 roller assemblies.

Description: Tandem wheels; top mount **steel** bracket; 1" diameter x 3/8" thick, **flat edge nylon** wheel; fits 1" to 1-3/8" thick pocket doors up to 75 lbs. each.

You may wish to stock these related parts: **N-6564, N-6565, N-6566.**

Call for Availability



N-6536

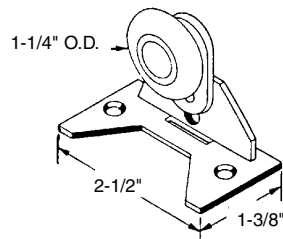
N-6536

Roller

Contents: 2 roller assemblies.

Description: Tandem wheels; top mount **steel** hanger for pocket doors; 1" diameter x 1/4" thick, **round edge nylon** wheel; for 1-3/8" thick doors up to 75 lbs. each.

You may wish to stock these related parts: **N-6565, N-6566, N-6567.**



N-6619

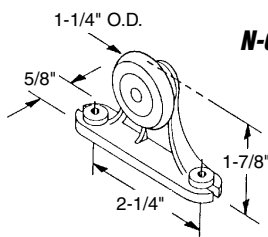
N-6619

Top Roller Assembly

Contents: 1 roller assembly; 2 no. 8 x 1/2" flat head sheet metal screws.

Description: 1-1/4" diameter **nylon ball bearing** wheel; adjustable **steel** bracket mounts on top of pocket doors; fits on **E-Z Guide**.

You may wish to stock these related parts: **N-6620.**



N-6620

N-6620

Top Assembly

Contents: 1 roller assembly; 2 no. 8 x 1/2" Phillips pan head sheet metal screws.

Description: 1-1/4" diameter **nylon ball bearing** wheel; **diecast** housing; used as a "fixed" back roller on pocket doors; fits on **E-Z Glide**.

You may wish to stock these related parts: **N-6619.**

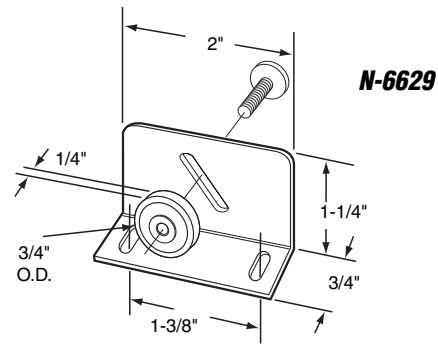
N-6629

Roller

Contents: 2 roller assemblies; 2 no. 8 x 1-1/4" Phillips pan head sheet metal screws.

Description: 3/4" diameter **flat edge nylon ball bearing** wheel; **stamped steel** bracket; top-center mounting; fits 3/4" to 1-3/8" thick doors; adjustable wheel location on bracket; fits on **Atlas**.

You may wish to stock these related parts: **N-6565, N-6618, N-6666, N-6578.**



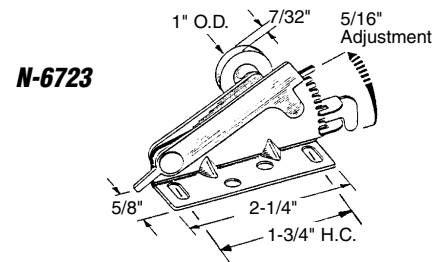
N-6723

Roller Assembly

Contents: 1 roller assembly; 4 no. 8 x 3/4" Phillips pan head sheet metal screws.

Description: 1" diameter **nylon** wheel; **steel** bracket; adjustable up to 5/16" height; for pocket doors 1" to 1-3/4" thick; up to 75 lbs. each; fits on **Kennaframe**.

You may wish to stock these related parts: **N-6658, N-6578.**



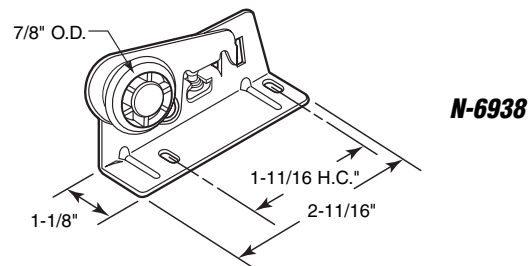
N-6938

Roller Assembly

Contents: 2 roller assemblies; 4 no. 8 x 1-1/4" Phillips pan head sheet metal screws.

Description: 7/8" diameter **nylon** wheel; **steel** bracket; for pocket doors up to 50 lbs; fits on **Cox**.

You may wish to stock these related parts: **N-6578, N-6950.**



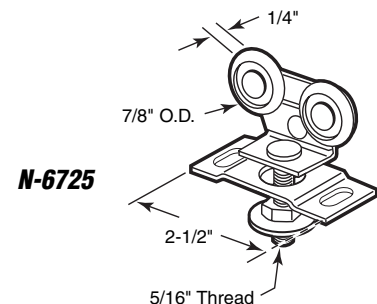
N-6725

Roller Assembly

Contents: 1 roller assembly; adjustment nut; mounting plate.

Description: 7/8" diameter tandem **nylon** wheels; **steel** brackets; for pocket doors from 1" to 1-3/4" thick up to 75 lbs. each; fits on **Atlas**.

You may wish to stock these related parts: **N-6567, N-7015.**



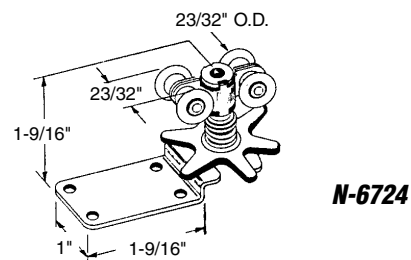
N-6724

Roller Assembly

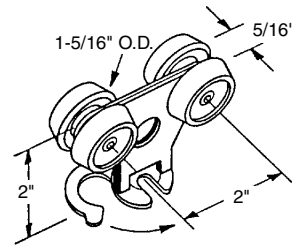
Contents: 1 roller assembly; 4 no. 8 x 3/4" Phillips pan head sheet metal screws.

Description: 4 **nylon** wheels; spring-loaded, **steel** bracket; adjustable up to 3/8" height; for pocket doors 1" to 1-3/4" thick; up to 100 lbs. each; fits on **Kennaframe**.

You may wish to stock these related parts: **N-6658, N-6950, N-7015.**



N-6663



N-6663

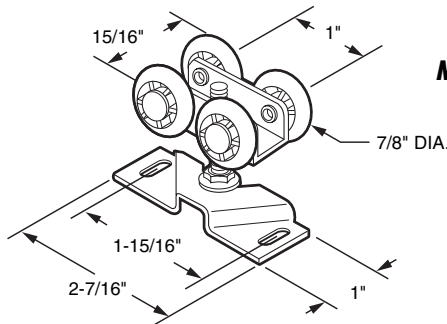
Roller

Contents: 1 roller assembly; 1 no. 8 x 2" wood screw.

Description: 4 wheel carrier; 1-5/16" diameter **nylon** wheels; **steel** bracket with quick release feature; for bi-pass and pocket doors; fits on **E-Z Glide**.

You may wish to stock these related parts: **N-6620**.

N-6990



N-6990

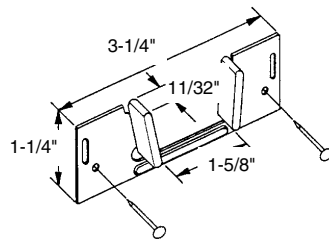
Roller

Contents: 1 roller assembly; 2 no. 8 x 1-1/4" sheet metal screws.

Description: 4 wheel carrier; 7/8" diameter **nylon** wheels; **steel** bracket used on both bi-pass and pocket doors.

Note: See N-6873 for 3-wheel version.

N-6566



N-6566

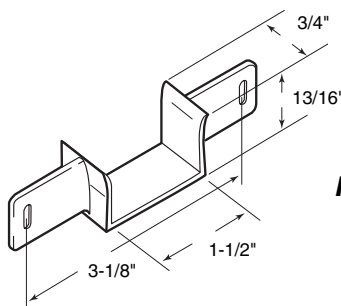
Guide

Contents: 1 guide; 4-3/4" x 15 ga. flat head drive nails.

Description: **Bottom guide** for pocket doors; **jamb mounted steel** bracket with **nylon** tips; for 1-3/8" thick doors; universal design.

You may wish to stock these related parts: **N-6526 thru N-6533**.

N-6578



N-6578

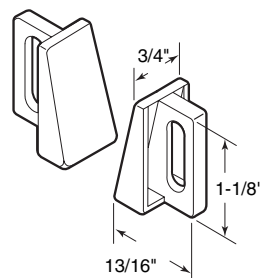
Guide

Contents: 1 guide; 2-3/4" x 15 ga. flat head drive nails.

Description: **Nylon bottom guide** for pocket doors; **jamb mounted**; for 1-3/8" thick doors.

You may wish to stock these related parts: **N-6526 thru N-6533**.

N-6950



N-6950

Guide

Contents: 2 guides; installation screws.

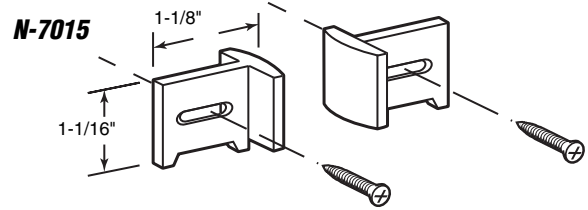
Description: 2 piece **nylon bottom guide**; **jamb mounted**; slotted mounting holes for horizontal adjustment of pocket door; for use with any door thickness.

N-7015

Side Adjusting Guide

Contents: 2 guides; 2 installation screws.

Description: 2 piece nylon bottom guide; jamb mounted; slotted mounting holes for horizontal adjustment of pocket door; for use with any door thickness.



N-6770 (Polished brass)

N-7080 (Antique brass)

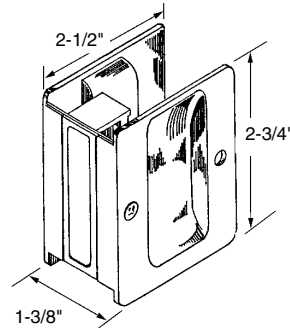
N-7085 (Chrome plated)

Passage Pull

Contents: 1 passage pull; 1 set of installation screws.

Description: Solid brass pull for passageway (pocket) doors; reversible.

You may wish to stock these related parts: **N-6771 thru N-6774.**



N-6770
N-7080
N-7085

N-6771 (Polished brass)

N-6774 (Antique brass)

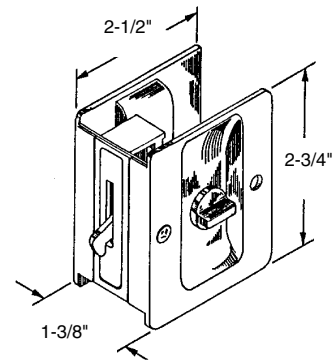
N-6773 (Chrome plated)

Privacy Lock

Contents: 1 lock and pull; 1 set of installation screws.

Description: Solid brass sliding door lock and pull for passageway (pocket) doors; reversible.

You may wish to stock these related parts: **N-6770.**



N-6771
N-6774
N-6773

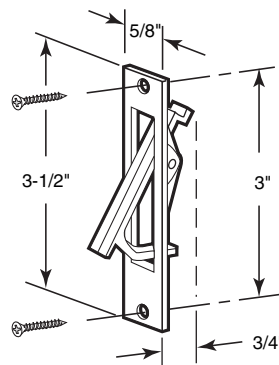
N-6768

Flush Pull

Contents: 1 pull; 2 no. 8 x 3/4" Phillips flat head sheet metal screws.

Description: Brass plated diecast pull; fits a 5/8" x 3-1/2" mortise, 3/4" deep; pull retracts from flush position.

You may wish to stock these related parts: **N-6565.**



N-6768

N-6979

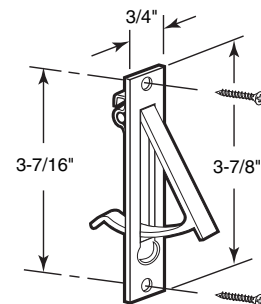
Pull

Contents: 1 pull; 1 set of installation screws.

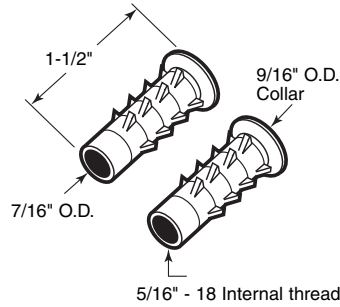
Description: Polished solid brass pull; fits a 3/4" x 3-7/8" mortise, 1-11/16" deep; spring loaded pull retracts flush to door edge.

You may wish to stock these related parts: **N-6768, N-6770, N-6771.**

N-6979



N-6951



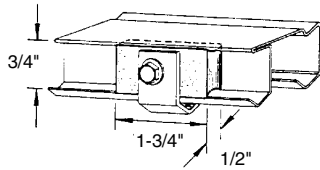
N-6951

Thread Insert

Contents: 4 inserts.

Description: Black nylon; 5/16" - 18 threaded insert for use on wood bi-fold doors; for replacement of lost or stripped inserts used on many top hung doors.

You may wish to stock these related parts: **N-6528, N-6529**



N-6670

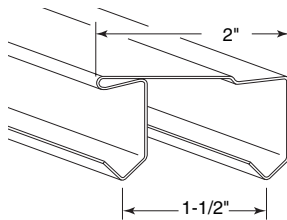
N-6670

Roller Center Stop

Contents: 1 stop with mounting bracket with set screw.

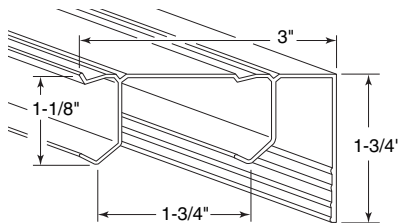
Description: Plated steel bracket with rubber stop; mounts into track channel at center position; prevents over-travel of doors; fits on *Acme "Bi-Parting" and "4 door" systems.*

You may wish to stock these related parts: **N-6560, N-6562.**



N-6894

N-7084



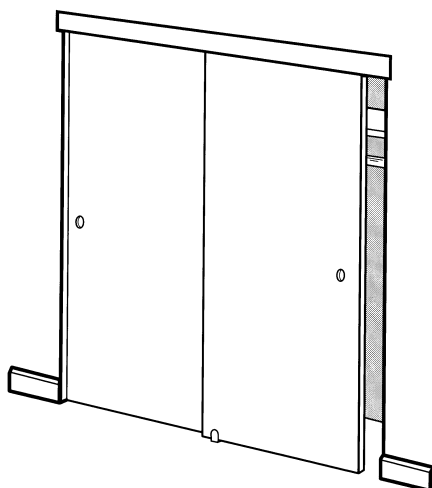
N-6894 (Galvanized steel)
N-7084 (Aluminum extrusion)

Bi-Pass Door Track

Contents: 1 piece, 96" long.

Description: Replacement track; used by various manufacturers.

Note: Part no. **N-6894** minimum order - 4 pieces.
Part no. **N-7084** minimum order - 2 pieces.



161791
161792
161793
161850
163499

161791 (48" opening) 2 panel system
161792 (60" opening) 2 panel system
161793 (72" opening) 2 panel system
161850 (96" opening) 2 panel system
163499 (96" opening) 3 panel system

Bi-Pass Door Track and Hardware Kit

Contents: 1 steel track; 2 (4*) hangers (front); 2 (4*) hangers (back); 2 (4*) finger pulls; 1 (2*) bottom guide(s); 1 set of fasteners.

(*) Quantity supplied for 3 panel systems only.

Description: Galvanized steel track; plated steel hangers; adjustable bottom guide (steel base with nylon tips); brass plated steel finger pulls. Track length is pre-cut to slightly less than opening size to minimize the need to cut the track; use with wood door panels 3/4" to 1-3/8" thick; for use on doors weighing up to 60 lbs. each; minimum order: 6 each.

Pocket Door Hardware

161794 (36" opening) 2 panel system

161795 (48" opening) 4 panel system

161796 (60" opening) 4 panel system

161797 (72" opening) 4 panel system

Bi-Fold Door Track and Hardware Kit

Contents: 1 steel track; 1 (2*) top pivot brackets; 1 (2*) top pivots; 1 (2*) roller guides; 3 (6*) non-mortise hinges; 1 (2*) bottom pivots; 1 (2*) bottom pivot brackets; 1 (2*) spring snigger(s); (2*) door aligners; 1 (2*) door knobs; 1 set of fasteners.

(*) Quantity supplied for 4 panel systems only.

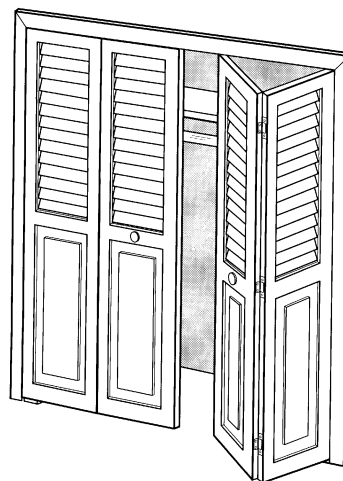
Description: Painted steel track; steel top pivot brackets are pre-installed to track; steel bottom pivot brackets; brass plated steel hinges; roller guides and pivots have a 7/16" diameter nylon base with steel pins; steel spring snigger with plastic retainer sleeve; zinc plated steel aligners; unfinished wood knobs. Track length is pre-cut to slightly less than opening size to minimize the need to cut the track; use with wood door panels 1" to 1-3/8" thick; for use on doors weighing up to 30 lbs. each; minimum order: 6 each.

161794

161795

161796

161797



161798 (36" maximum door size)

Pocket Door Track and Hardware Kit

Contents: Track: (1) 71" galvanized steel double "J" track

Headers: (1) 3/4" x 2" x 72" (wood)
(2) 3/4" x 2" x 37" (wood)

Uprights: (4) 3/4" x 1-3/4" x 84" wood with steel support channel.

Hanger Brackets: (2) steel floor brackets
(1) steel front header bracket
(1) steel rear header bracket

Horizontal Support: 3/4" x 2" x 40" wood support

Hardware: (2) 4-wheel top roller assemblies (steel bracket with nylon wheel)
(1) steel bottom guide with nylon tips
(1) rubber door bumper
(1) steel adjusting wrench
(1) set of fasteners
(1) set of drywall screws.

Description: This pocket door track kit with concealed hardware was designed for easy installation, yet offers professional quality throughout. Super heavy-duty 4-wheel roller assemblies are exceptionally quiet, durable and respond to the lightest touch; easily adjusted with the wrench supplied. These rollers, when used in conjunction with the double-J track, develop a superior stability not found in most other kits; may be used on wood doors (1-3/8" to 1-3/4") thick, up to 150 lbs; minimum order: 6 each.

The header board is pre-marked with cut-off indicators, for 24", 30", 32" and 36" door size applications.

Fasteners include all necessary hardware fasteners as well as screws for drywall installation.

161798

