

Entry Door Security

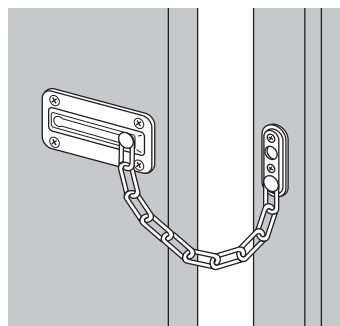
U-9905 (Brass finish)
U-9908 (Chrome finish)

Chain Door Guard

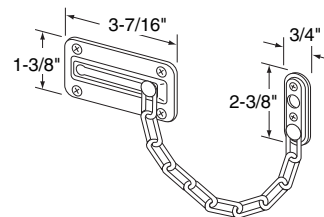
Contents: 1 chain lock with keeper & installation screws.

Description: Plated steel keepers and steel chain secures door while allowing viewing and ventilation; easy to install.

Standard Pack: 6/box



U-9905
U-9908



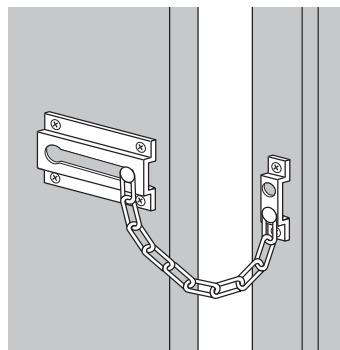
U-9907 (Brass)
U-9909 (Dull chrome)

Chain Door Guard

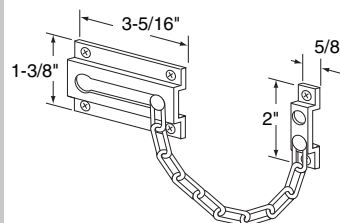
Contents: 1 chain lock with keeper & installation screws.

Description: Solid brass keepers with steel chain secures door while allowing viewing and ventilation; easy to install.

Standard Pack: 6/box



U-9907
U-9909



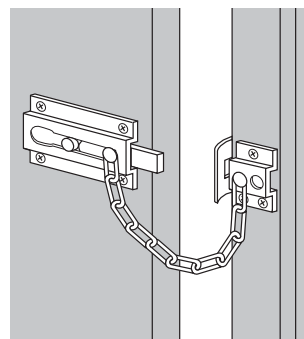
U-9910 (Brass finish - steel with bolt)
U-9911 (Brass finish - solid brass with bolt)

Chain Door Guard (with bolt)

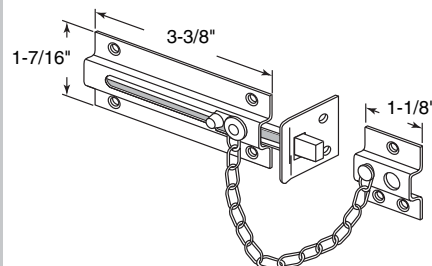
Contents: 1 chain lock with bolt & installation screws.

Description: Use of chain secures door while allowing viewing and ventilation; sliding bolt secures closed door and allows unlocking from inside only.

Standard Pack: 6/box



U-9910
U-9911



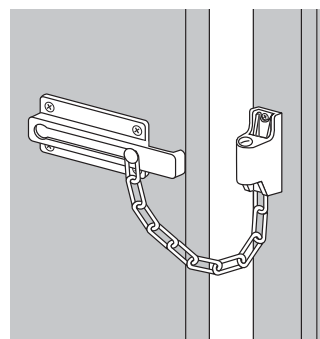
U-9912 (Brass finish)

Chain Door Guard (keyed)

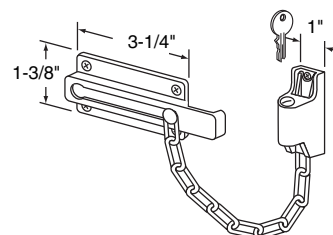
Contents: 1 chain lock; 2 keys & installation screws.

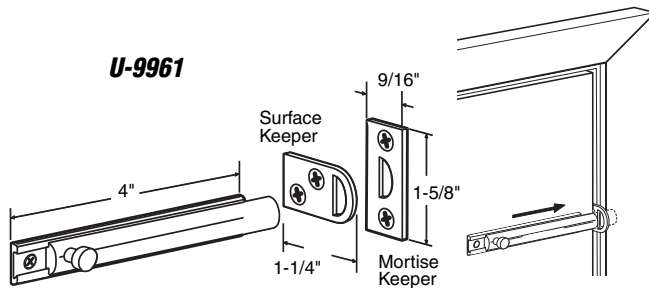
Description: Plated steel chain and diecast keepers secures door while allowing viewing and ventilation; can be unlocked with key from outside or inside; bolt slides into keyed mechanism to lock.

Standard Pack: 6/box



U-9912





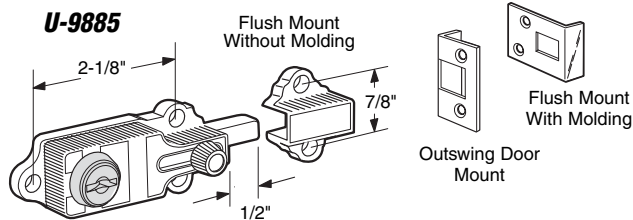
U-9961 (Solid brass)

4" Surface Bolt

Contents: 1 slide bolt; 2 keepers and installation screws.

Description: Slide bolt surface mounts to face of door; two keepers allow for surface or mortise frame installation.

Standard Pack: 6/box



U-9885 (Brass finish)

Keyed Deadbolt Lock

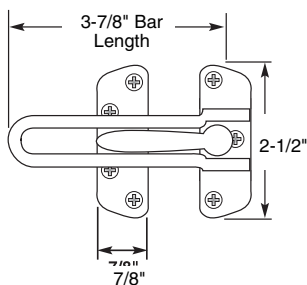
Contents: 1 lock; 3 keepers and installation screws.

Description: Plated diecast lock is key locked from inside; 3 keepers offer flexible mounting for both inswing and outswing doors.

Standard Pack: 6/box

U-9897
U-9899
U-9900

U-9901
U-9902



U-9897 (Brass finish)

U-9899 (Antique brass finish)

U-9900 (Chrome finish)

U-9901 (Brushed chrome finish)

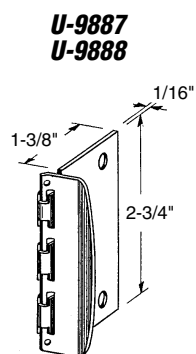
U-9902 (White finish)

Door Guard

Contents: 1 swing loop keeper; 1 bar lock & installation screws.

Description: Plated or painted heavy metal casting secures door while allowing 2" of viewing or ventilation; easy to install.

Standard Pack: 6/box



U-9887 (Brass finish)

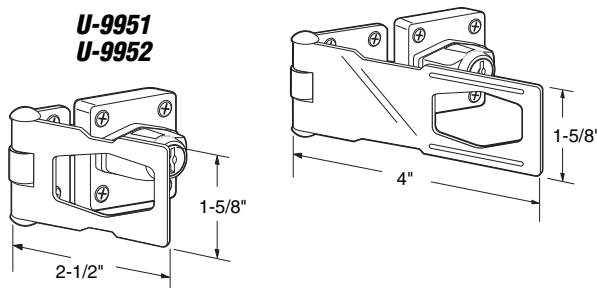
U-9888 (White finish)

Flip Door Lock

Contents: 1 lock & installation screws.

Description: Plated or painted steel privacy lock; flip action to lock or unlock; no mortising required; easy to install.

Standard Pack: 6/box



U-9951 (4")

U-9952 (2-1/2")

Keyed Hasp

Contents: 1 hasp; 1 locking mechanism and installation screws.

Description: Chrome plated steel hasp hinges over diecast locking mechanism; twist keyed knob to lock and use key to unlock; hasp covers screws when in locked position.

Standard Pack: 6/box

Entry Door Security

Part #	Finish	View	Bore Diameter
U-9875	Chrome	180°	1/2"
U-9876	Chrome	190°	9/16"
U-9881	Satin Chrome	190° U.L. Listed	9/16"
U-9891	Brass	200° U.L. Listed	9/16"
U-9892	Brass	190°	1/2"
U-9893	Brass	180°	9/16"

Door Viewer

Contents: 1 viewer.

Description: Solid brass housing; glass and plastic lenses; fits 1-3/8" to 2-1/8" thick wood or metal doors; easy to install; glass lens viewers are **U.L. Listed**.

Standard Pack: 6/box

U-9880 (Satin chrome finish - **U.L. Listed**)

U-9895 (Brass)

U-9983 (Brass - **U.L. Listed**)

Door Viewer (160°)

Contents: 1 viewer.

Description: Solid brass housing; glass and plastic lenses; fits 1-3/8" to 2" thick wood or metal doors; easy to install; glass lens viewers are **U.L. Listed**.

Standard Pack: 6/box

U-9896 (Brass)

Door Viewer (160°)

Contents: 1 viewer.

Description: Solid brass end caps with diecast threaded housing; glass lens; fits 1-1/2" to 2-1/8" thick wood or metal doors; easy to install.

Standard Pack: 6/box

U-9915 (Gold finish)

U-9916 (Bronze finish)

U-9917 (White finish)

U-9918 (Gray finish)

U-10079 (Vacumm plated - brass)

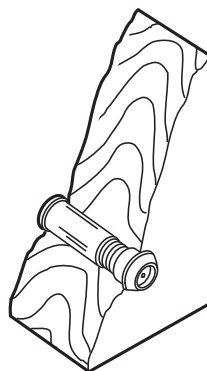
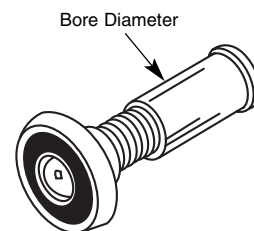
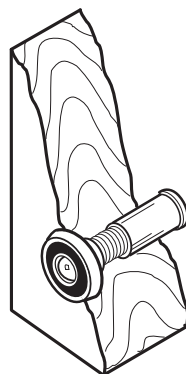
U-10080 (Vacumm plated - chrome)

Door Viewer

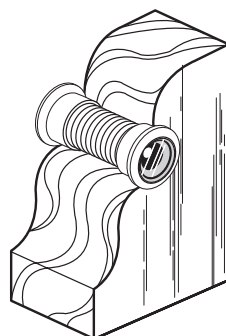
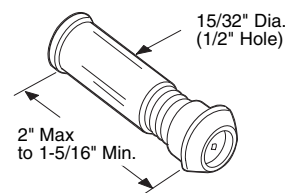
Contents: 1 viewer.

Description: High-impact plastic housing requires 1-3/4" hole; "clear image" prism construction allows arms length viewing with nearly 2" of giant screen viewing; fits 1-3/8" to 2" thick wood or metal doors; prism image is a reversed and mirrored image.

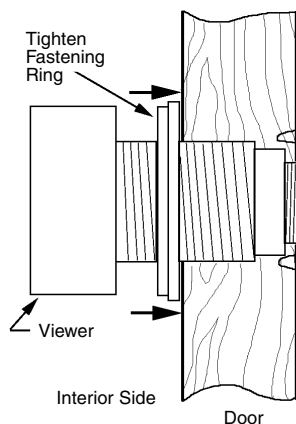
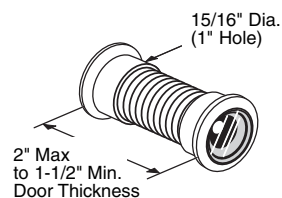
Standard Pack: 4/box



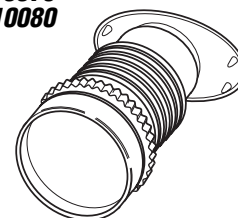
U-9880
U-9895
U-9983

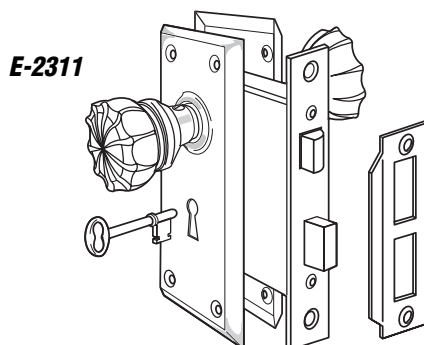
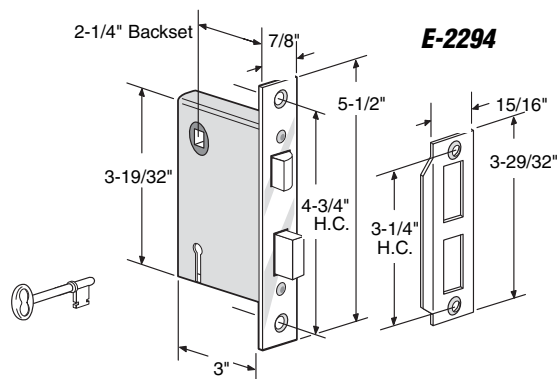
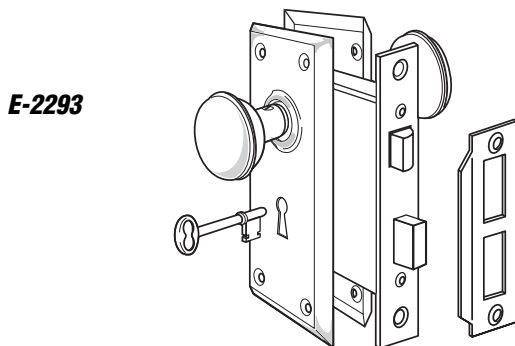
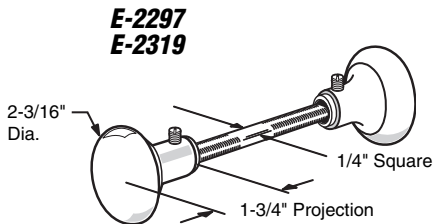
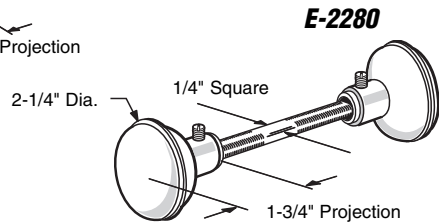
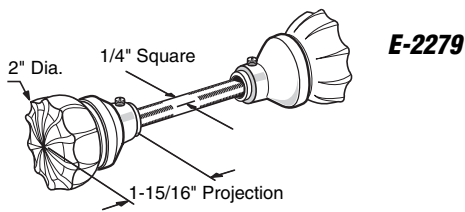


U-9896



U-9915
U-9916
U-9917
U-9918
U-10079
U-10080





- E-2279** (Glass-brass plated base - **standard pack:** 6 per box)
- E-2280** (Brass plated - steel - **standard pack:** 6 per box)
- E-2297** (Brass - **standard pack:** 5 per box)
- E-2319** (White painted - steel - **standard pack:** 5 per box)

Knobs

Contents: 2 knobs and 1 spindle.

Description: Glass, brass, brass plated and painted steel knobs as used on various exterior and interior locksets

You may wish to stock these related parts: **E-2282, E-2293, E-2294, E-2295 and E-2311.**

E-2293 (Brass finish)

Mortise Lock Set (Keyed)

Contents: 1 mortise caselock assembly; 2 knobs; 2 trim plates; strike plate and installation screws.

Description: Polished brass finish; case-hardened steel case; lock bolt is key activated both inside and outside.

You may wish to stock these related parts: **E-2280, E-2294, E-2295 and E-2311.**

Standard Pack: 5/box

E-2294

Mortise Lock Assembly (Keyed)

Contents: 1 mortise caselock assembly; strike plate and installation screws.

Description: Mortise caselock with brass plated faceplate; case-hardened steel case; spindle hole accommodates 1/4" to 5/16" square shaft.

You may wish to stock these related parts: **E-2293, E-2295 and E-2311.**

Standard Pack: 6/box

E-2311 (Brass finish - glass handles)

Mortise Lock Set (Keyed)

Contents: 1 mortise caselock assembly; 2 knobs; 2 trim plates strike plate and installation screws.

Description: Glass knobs with brass plated steel trim plates; case-hardened steel case; lock bolt is key activated both inside and outside.

You may wish to stock these related parts: **E-2279, E-2281, E-2294, E-2295.**

Standard Pack: 6/box

- E-2282** (2-1/4"-brass)
- E-2320** (2-1/4"-white)
- E-2296** (3"-brass - w/2-3/16" hole centers)

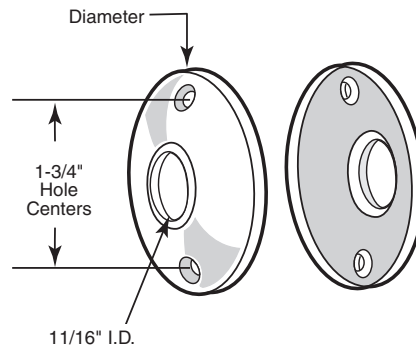
Door Knob Rosettes

Contents: 2 rosettes & installation screws.

Description: Plated and painted steel rosettes; screw mounted on door; for old style passage locks.

You may wish to stock these related parts: **E-2279, E-2280 and E-2281.**

Standard Pack: 6/box



E-2282
E-2320
E-2296

- E-2295** (Brass finish)

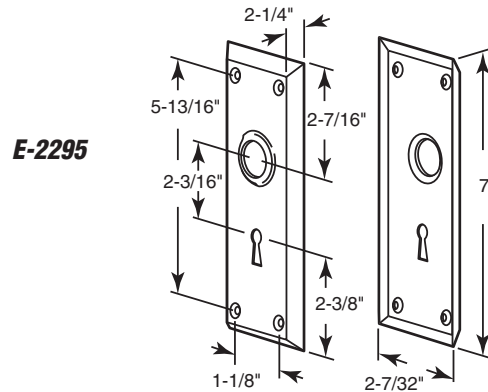
Door Escutcheon Plates

Contents: 1 inside and 1 outside escutcheon plate & installation screws.

Description: Brass plated steel plates; repair parts for E-2293.

You may wish to stock these related parts: **E-2293, E-2294 and E-2311.**

Standard Pack: 6/box



E-2295

- E-2317** (Glass knob with brass rosette)

- E-2318** (White painted - steel)

- E-2321** (Brass)

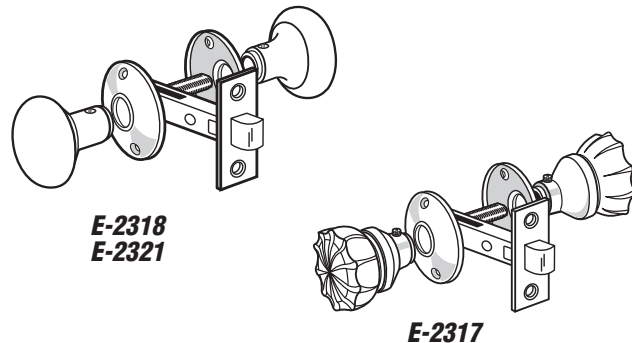
Passage Door Latch Set

Contents: 1 passage door latch; 1 spindle; 2 knobs; 2 rosettes and installation screws.

Description: Diecast latch; glass, brass and painted steel knobs; plated and painted rosettes; spindle hole accommodates 1/4" to 5/16" square shaft; use as decorative passage latch for 2-3/8" backset applications.

You may wish to stock these related parts: **E-2293, E-2294 and E-2311.**

Standard Pack: 6/box



E-2318
E-2321

E-2317

- E-2281** (Brass finish)

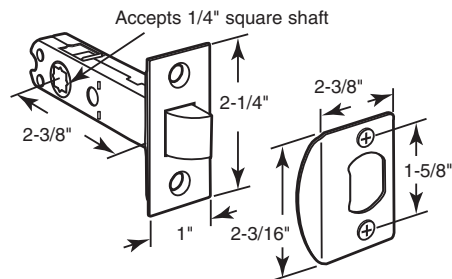
Passage Door Latch

Contents: 1 latch, 1 strike & installation screws.

Description: Diecast latch with brass plated face for old style passage doors; accepts 1/4" square shaft.

You may wish to stock these related parts: **E-2279, E-2280, E-2282, E-2296 and E-2297.**

Standard Pack: 6/box



E-2281

- U-9965** (Kwikset keyway)

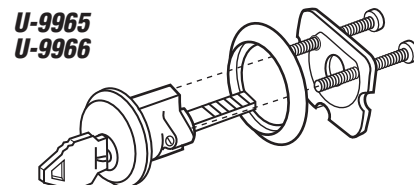
- U-9966** (Schlage keyway)

Rim Cylinder Lock (Brass finish)

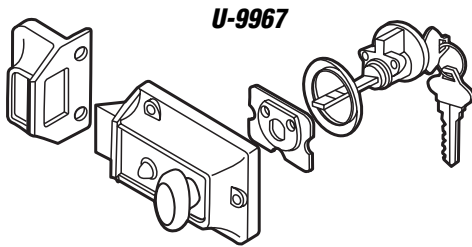
Contents: 1 key cylinder with trim ring and 2 keys; 1 mounting plate and 2 screws.

Description: Heavy-duty zinc diecast housing with brass face and 5 pin tumbler lock.

Standard Pack: 6/box



U-9965
U-9966



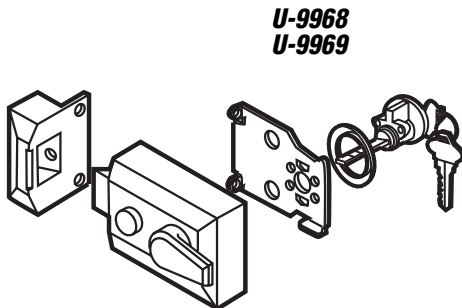
U-9967 (Brass painted finish)

Night Latch & Locking Cylinder

Contents: 1 night latch with locking cylinder and trim ring; 2 keys; 1 mounting plate; 1 keeper and installation screws.

Description: Brass painted diecast locking unit and keeper; hold open feature; spring latch for automatic locking; five pin tumbler cylinder; 1-1/4" bore.

Standard Pack: 5/box



U-9968 (Polished brass finish)

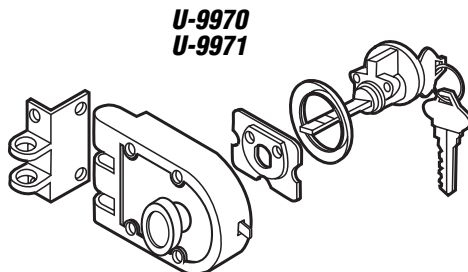
U-9969 (White finish)

Night Latch & Locking Cylinder

Contents: 1 night latch with locking cylinder and trim ring; 2 keys; 1 mounting plate; 1 keeper and installation screws.

Description: Plated and painted diecast locking unit and keeper; contemporary design; hold open feature; spring latch for automatic locking; five pin tumbler cylinder; 1-1/4" bore.

Standard Pack: 5/box



U-9970 (Brass painted finish)

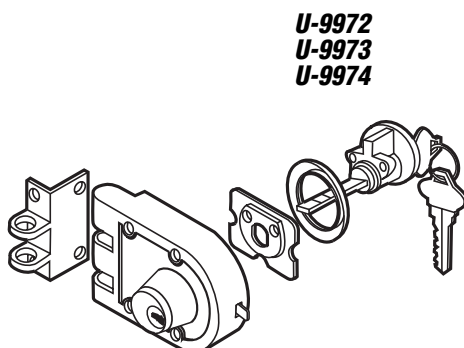
U-9971 (White painted finish)

Jimmy-resistant Deadlock (Single cylinder)

Contents: 1 locking unit with locking cylinder and trim ring; 1 mounting plate; 1 keeper & installation screws.

Description: Painted diecast locking unit and strike; locks door to jamb to prevent forced entry; 5-pin tumbler cylinder; requires a 1-1/4" hole; includes tamper-resistant shutter guard.

Standard Pack: 5/box



U-9972 (Brass painted finish)

U-9973 (White painted finish)

U-9974 (Polished brass & black finish)

Jimmy-resistant Deadlock (Double cylinder)

Contents: 1 locking unit with locking cylinder and trim ring; 1 mounting plate; 1 keeper & installation screws.

Description: Painted and plated diecast locking unit and strike; locks door to jamb to prevent forced entry; double cylinder unit is ideal for doors with glass panes or when located next to a glass side lite; 5-pin tumbler cylinder; requires a 1-1/4" hole; includes tamper-resistant shutter guard.

Standard Pack: 5/box