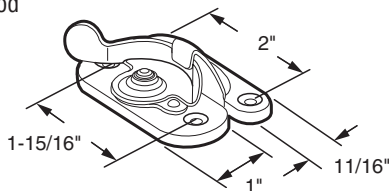


Cam Lock

Contents: 2 locks; 2 keepers; installation screws.

Description: Stamped steel sash lock and keeper; used on double hung wood windows.

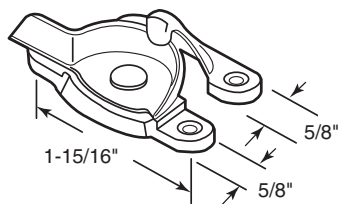


- F-2535** (Brass)
- F-2568** (Antique brass)
- F-2619** (White)

Cam Lock

Contents: 1 lock; 1 keeper; installation screws.

Description: Diecast sash lock and keeper; used on single and double hung wood window.

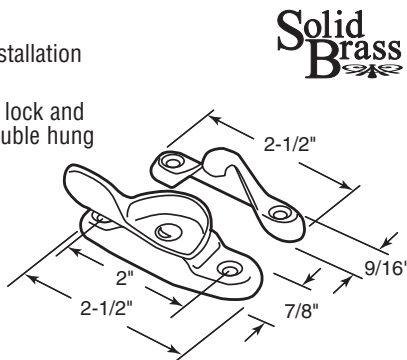


- F-2574** (Brass)
- F-2653** (Antique brass)
- F-2620** (White)
- F-2711** (Satin nickel)

Cam Lock

Contents: 1 lock; 1 keeper; installation screws.

Description: Solid brass sash lock and keeper; used on single and double hung wood windows.

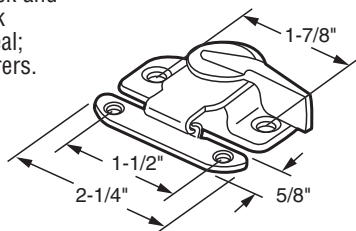


- F-2600** (Solid brass)
- F-2712** (Satin nickel)

Cam Lock

Contents: 1 lock; 1 keeper; installation screws.

Description: Stamped steel sash lock and keeper; cam action of the latch hook draws sashes together for a tight seal; used by several window manufacturers.

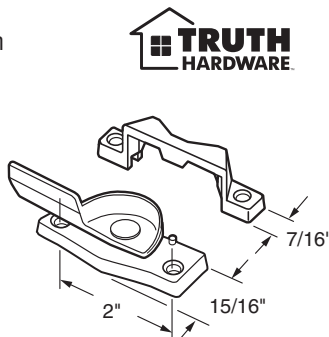


- F-2526** (Chrome)
- F-2527** (Brass)
- F-2566** (Antique brass)
- F-2618** (White)

Cam Lock

Contents: 1 lock; 1 keeper; installation screws.

Description: Diecast sash lock and keeper; heavy duty design; used on double hung windows by several manufacturers.

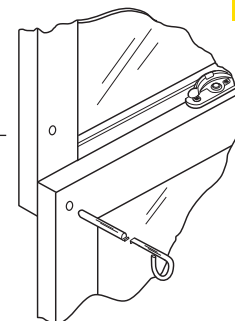
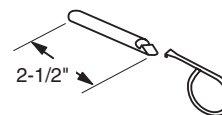
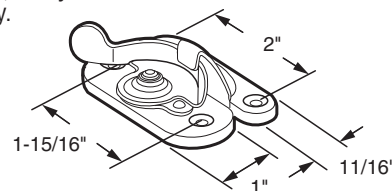


- F-2552** (Bronze)
- F-2584** (White)
- F-2663** (Coppertone)

Cam Lock with Security Pins

Contents: 1 lock; 1 keeper; 2 pins; 1 removal key; installation screws.

Description: Brass finish; stamped steel lock and keeper; used on wood sash windows; steel pins are installed thru front sash into rear sash to offer tamper-resistant security; easily removed with special key.

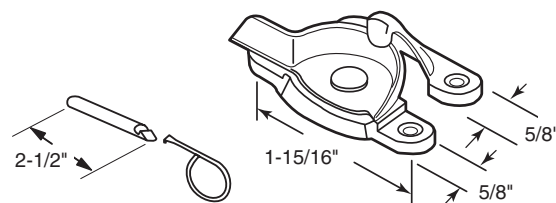


F-2622

Cam Lock with Security Pins

Contents: 1 lock; 1 keeper; 2 pins; 1 removal key; installation screws.

Description: Brass finish; diecast lock and keeper; used on wood sash windows; steel pins are installed thru front sash into rear sash to offer tamper-resistant security; easily removed with special key.

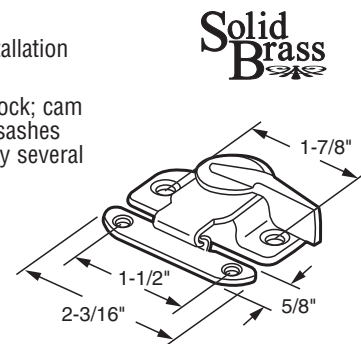


F-2621

Cam Lock

Contents: 1 lock; 1 keeper; installation screws.

Description: Solid brass sash lock; cam action of the latch hook draws sashes together for a tight seal; used by several window manufacturers.

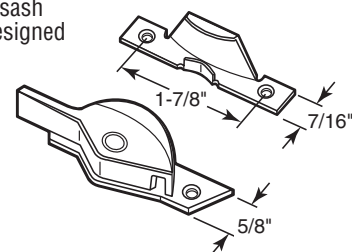


- F-2601** (Solid brass)
- F-2713** (Satin nickel)

Cam Lock

Contents: 1 lock; 1 keeper; installation screws.

Description: Brass finish; diecast sash lock with stamped steel keeper; designed for double hung wood windows.

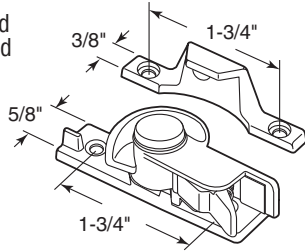


F-2587

Cam Lock

Contents: 1 lock; 1 keeper; installation screws.

Description: Diecast sash lock and keeper; used on double hung wood windows; lever release feature.



F-2677 (Brass)
F-2679 (White)

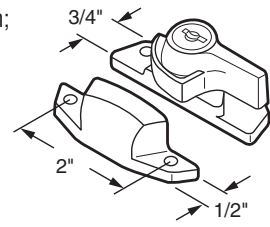
Cam Lock

Contents: 1 lock; 1 keeper; installation screws.

Description: Diecast sash lock and keeper, requires a key to unlock latch; designed for double hung windows.

AVAILABLE KEYED ALIKE.

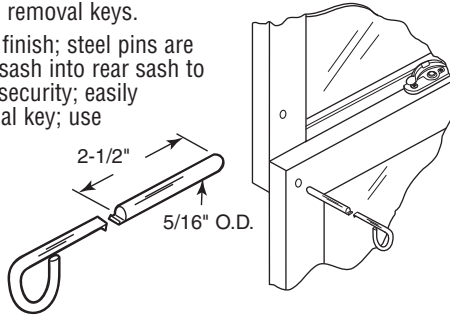
F-2534 (Brass)
F-2705 (Antique brass)
F-2646 (White)



Security Pin

Contents: 8 pins; 4 removal keys.

Description: Brass finish; steel pins are installed thru front sash into rear sash to offer tamper-proof security; easily removed with special key; use 2 pins per window.



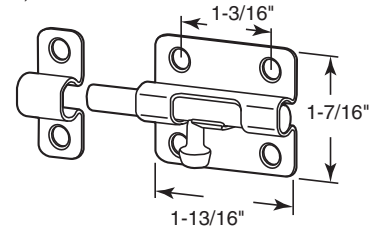
F-2617

Window Bolt

Contents: 1 bolt with keeper; installation screws.

Description: Steel bolt and keeper; used on a variety of wood window applications.

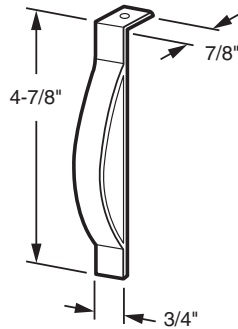
F-2708 (Zinc)
F-2709 (Brass)
F-2710 (Oil rubbed bronze)



Spring

Contents: 2 springs; 2 nails.

Description: Spring steel construction; allows repair of broken sash cords without removing sash; corner mounted; installs in seconds.



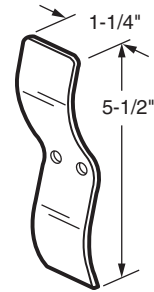
F-2537

Spring

Contents: 2 springs.

Description: Spring steel construction; chrome plated; side mounted.

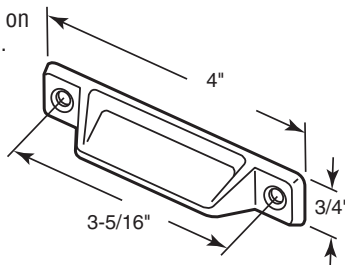
F-2538



Sash Lift

Contents: 2 lifts; installation screws.

Description: Diecast sash lift; popular on wood and vinyl vertical hung windows.

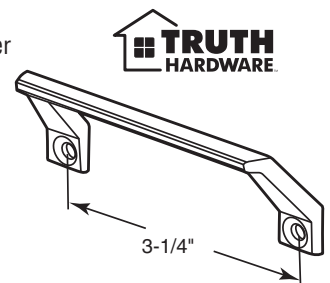


F-2631 (Black)
F-2630 (White)

Sash Lift

Contents: 1 lift; installation screws.

Description: Diecast sash lift; powder coated finish; popular on wood and vinyl vertical hung windows.

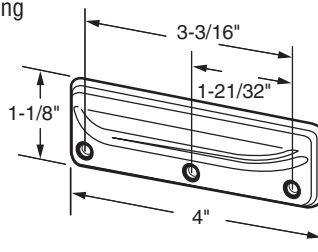


F-2765 (Bronze)
F-2766 (White)

Sash Lift

Contents: 2 lifts; installation screws.

Description: Stamped steel sash lift; popular on wood and vinyl vertical hung windows.

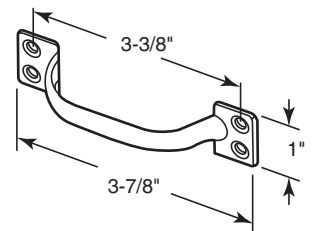


F-2558 (Brass)
F-2560 (Antique brass)
F-2707 (White)

Sash Lift

Contents: 2 lifts; installation screws.

Description: Stamped steel sash lift handle; popular on older wood double hung windows.



F-2536 (Brass)
F-2556 (Antique brass)
F-2706 (White)
F-2719 (Satin nickel)