

**U-9800** (Aluminum finish)

**U-9801** (Black finish)

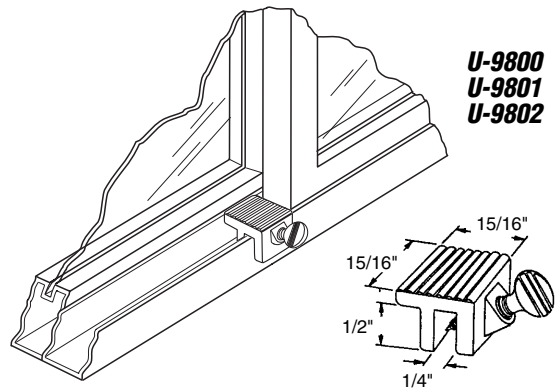
**U-9802** (White finish)

## Thumbscrew Lock

**Contents:** 2 locks.

**Description:** Heavy-duty zinc diecast housing with steel thumbscrew; securely locks window in closed or ventilating position; easy to install.

*Standard Pack: 6/box*



**U-9800  
U-9801  
U-9802**

**U-9810** (Aluminum finish)

**U-9811** (Black finish)

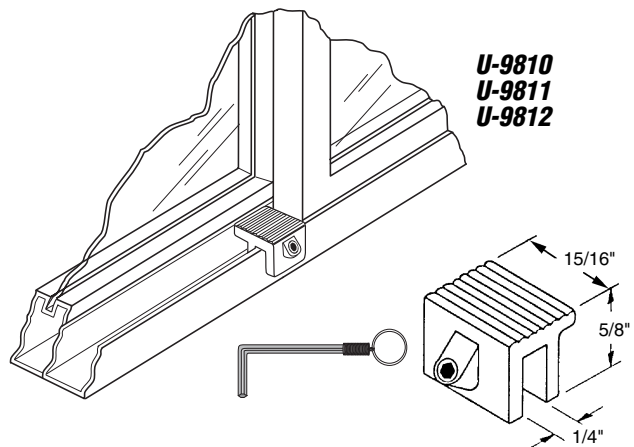
**U-9812** (White finish)

## Tamper-resistant Lock

**Contents:** 2 locks & 1 wrench.

**Description:** Heavy-duty zinc diecast housing with tamper-resistant hex security screw and wrench; securely locks window in closed or ventilating position; prevents accidental opening by children; easy to install.

*Standard Pack: 6/box*



**U-9810  
U-9811  
U-9812**

**U-9820** (Aluminum finish)

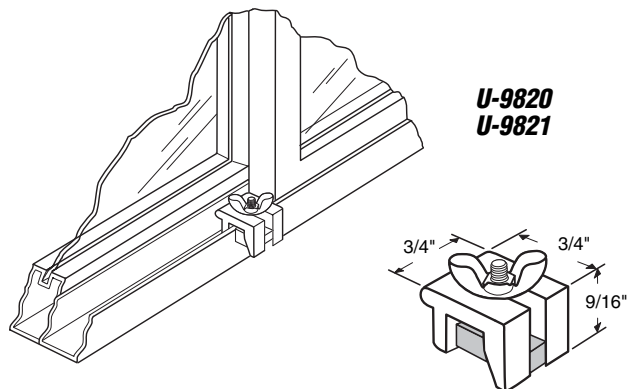
**U-9821** (White finish)

## No-mar Lock

**Contents:** 2 locks.

**Description:** Extruded aluminum with no-mar vinyl insert to protect track; fits wide and narrow type tracks; securely locks window in closed or ventilating position; easy to install.

*Standard Pack: 6/box*



**U-9820  
U-9821**

**U-9980** (Aluminum finish - 2/card)

**U-9982** (White finish - 2/card)

**CCEP-4348\*** (Aluminum finish - 4/bag)

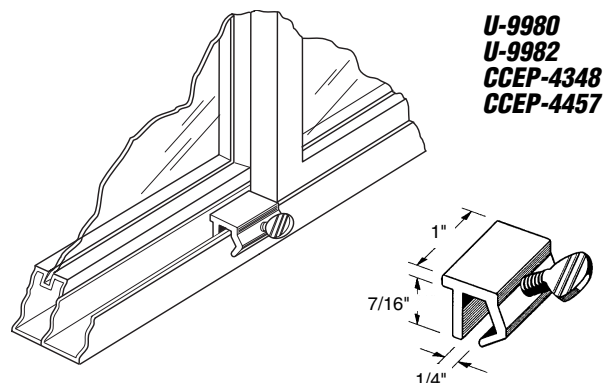
**CCEP-4457\*** (White finish - 4/bag)

## Economy Lock

**Contents:** 2 or 4 locks per package.

**Description:** Extruded aluminum housing; steel screw; securely locks window in closed or ventilating position; easy to install.

*Standard Pack: 6/box*

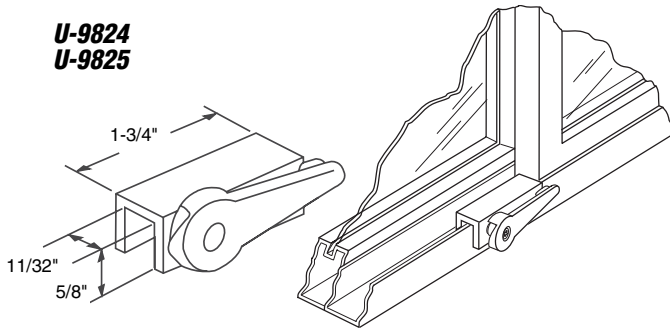


**U-9980  
U-9982  
CCEP-4348  
CCEP-4457**

\*Special "Value" pack item; merchandised in cut-case box with product and application illustrations; ideal for counter top or gondola base.

*\*Standard Pack: 100/box*

**U-9824**  
**U-9825**



**U-9824** (Aluminum finish)  
**U-9825** (White finish)

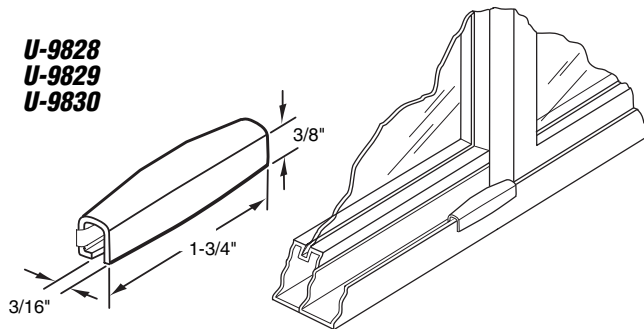
## Cam Action Lock

**Contents:** 1 lock.

**Description:** Extruded aluminum housing with cam action; securely locks window in closed or ventilating position; **no tools needed** to install; excellent added security when staying in a hotel or motel.

*Standard Pack: 6/box*

**U-9828**  
**U-9829**  
**U-9830**



**U-9828** (Aluminum finish)  
**U-9829** (Black finish)  
**U-9830** (White finish)

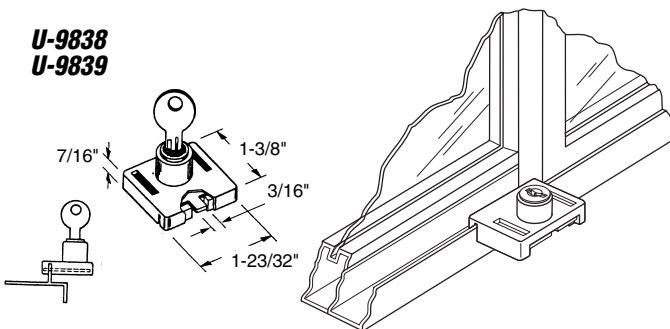
## Snap-on Vent Lock

**Contents:** 2 locks.

**Description:** Plated and painted steel lock housing; unique "snap-on" device; **no tools required**; excellent for ventilated locking.

*Standard Pack: 6/box*

**U-9838**  
**U-9839**



**U-9838** (Aluminum finish)  
**U-9839** (White finish)

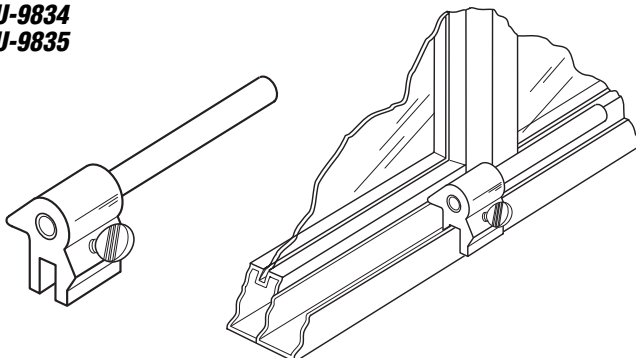
## Keyed Lock

**Contents:** 1 lock & 2 keys.

**Description:** Painted diecast housing; securely locks window in closed or ventilating position; easy to install.

*Standard Pack: 6/box*

**U-9833**  
**U-9834**  
**U-9835**



**U-9833** (Aluminum finish)  
**U-9834** (Black finish)  
**U-9835** (White finish)

## Thumbscrew Bar Lock

**Contents:** 1 lock.

**Description:** Extruded aluminum; reversible with anti-lift out bar; securely locks window in closed or ventilating position; easy to install.

*Standard Pack: 6/box*

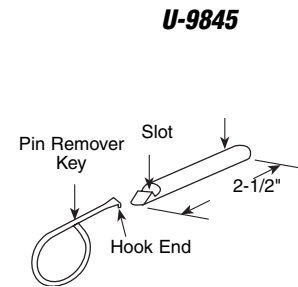
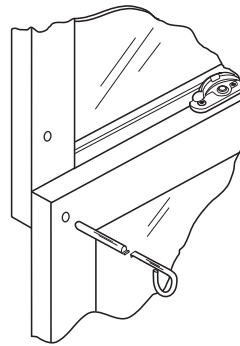
## U-9845 (Brass finish)

### Wood Sash Pins

**Contents:** 8 pins & 4 keys.

**Description:** Steel pins lock window in closed or ventilating position; pin removal key is needed to unlock; recommended for wood sash; easy to install.

*Standard Pack: 6/box*



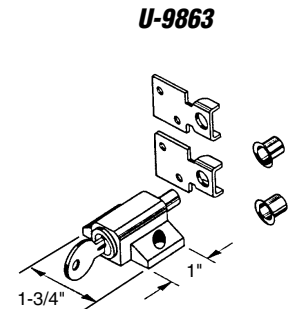
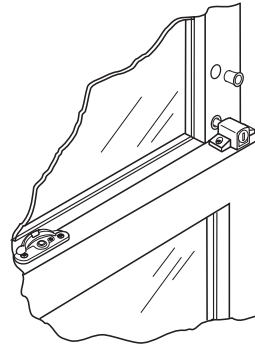
## U-9863 (Brass finish)

### Keyed Sash Lock

**Contents:** 1 lock with 2 strikes; 2 ferrules; 2 keys & installation screws.

**Description:** Hardened steel bolt provides push button locking in closed or ventilating position; unlocks only with key; heavy-duty diecast construction; recommended for wood sash; easy to install.

*Standard Pack: 6/box*



## U-9924 (Brass finish)

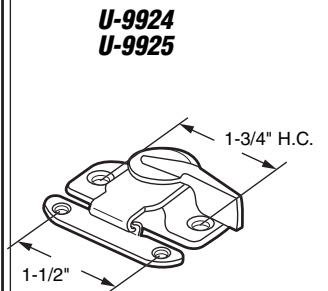
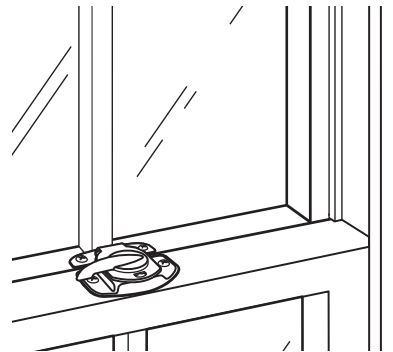
## U-9925 (White finish)

### Sash Window Lock

**Contents:** 1 lock; 1 keeper & installation screws.

**Description:** Cam action sash lock; universal design; stamped steel construction.

*Standard Pack: 6/box*



## U-9927 (Brass finish)

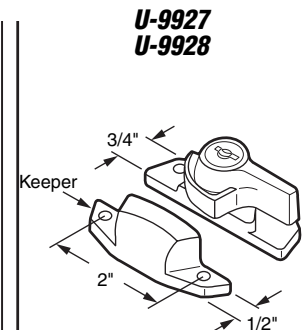
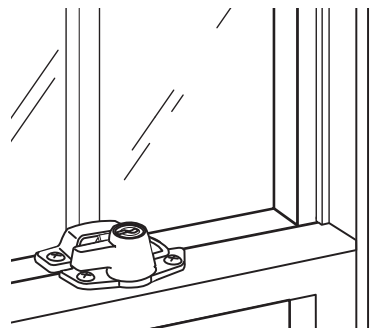
## U-9928 (White finish)

### Keyed Sash Lock

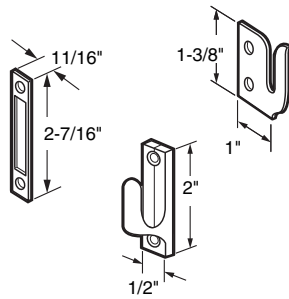
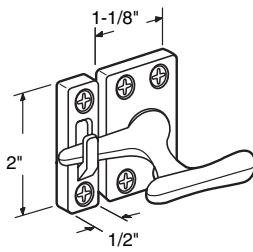
**Contents:** 1 latch assembly; 1 keeper; 2 key & installation screws.

**Description:** For aluminum, vinyl or wood double hung windows; unlocks only with key; child-proof; heavy zinc diecast construction.

*Standard Pack: 6/box*



**U-9935**  
**U-9936**



**U-9935** (Brass finish)  
**U-9936** (White finish)

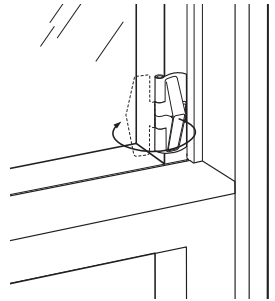
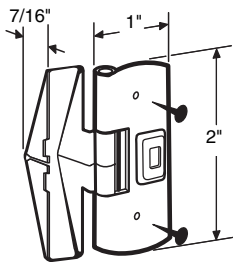
## Casement Window Sash Lock

**Contents:** 1 latch; 3 keeper assortment & installation screws.

**Description:** Diecast locking handle has 3 different keepers for special mounting applications; used on old style wood casement windows.

*Standard Pack: 6/box*

**U-9938**



**U-9938** (Brass finish)

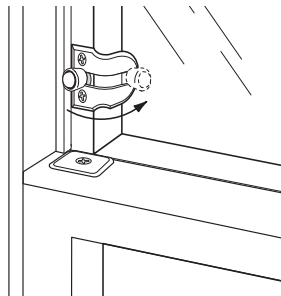
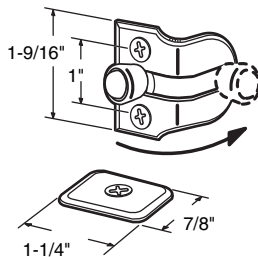
## Wood Window Flip Lock

**Contents:** 2 locks & installation screws.

**Description:** Flip lock mounts on vertical track; stops window in vent position; wedge flips out of the way to allow opening; **plated steel**.

*Standard Pack: 6/box*

**U-9939**



**U-9939** (Brass finish)

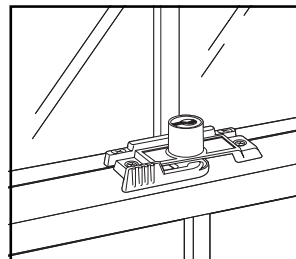
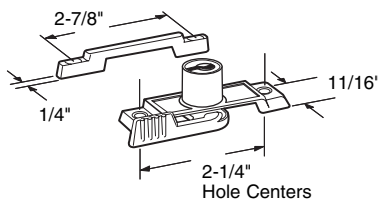
## Wood Window Vent Lock

**Contents:** 2 lock assemblies; 2 strikeplates & installation screws.

**Description:** Brass plated steel sash locks mount onto the edge of the upper window; sliding stud stops opening at a desired location; allows ventilation but prevents entry; easy to install.

*Standard Pack: 6/box*

**U-9932**  
**U-9933**



**U-9932** (Brass finish)  
**U-9933** (White finish)

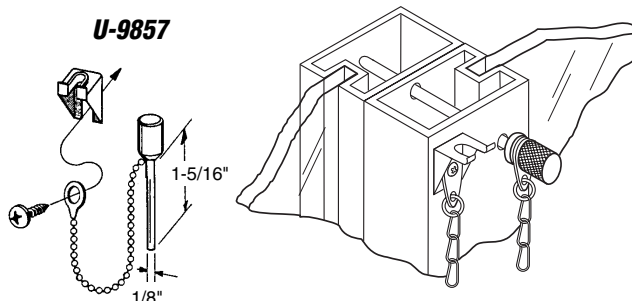
## Slim-line Keyed Sash Lock

**Contents:** 1 lock and keeper; 2 keys and installation screws.

**Description:** Plated or painted diecast sash lock and keeper; readily adapts to narrow styles; key locks for additional security.

*Standard Pack: 6/box*

**U-9857**



**U-9857** (Chrome finish)

## Window Pin Lock

**Contents:** 1 pin with chain; holder & installation screws.

**Description:** Plated, case-hardened steel pin stores in holder when unlocked; securely locks window in closed or ventilating position; prevents sliding and lifting of window.

*Standard Pack: 6/box*