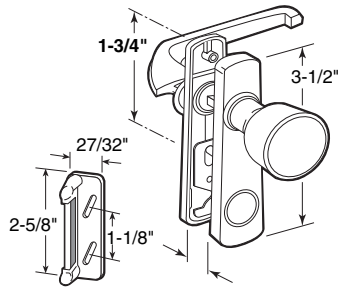


K-5000
K-5001
K-5002
K-5121
K-5170



5/8" to 1-1/4" thick doors

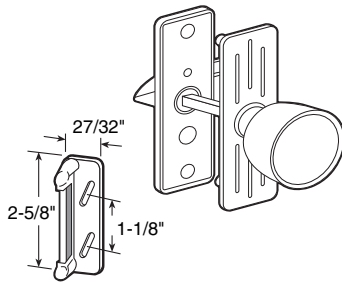
K-5000 (Aluminum)
K-5001 (Black)
K-5002 (Gold)
K-5121 (White)
K-5170 (Chocolate brown)

Tulip Knob Latch

Contents: 1 outside knob; 1 inside latch; 1 strike; 1 set of installation screws.

Description: Designed for outswinging wood or metal, screen or storm doors; **5/8" to 1-1/4" thick**, complete with night lock; **(1-3/4" hole spacing)**.

You may also wish to stock these related parts: **K-5003, K-5004, K-5027, K-5028.**



K-5077

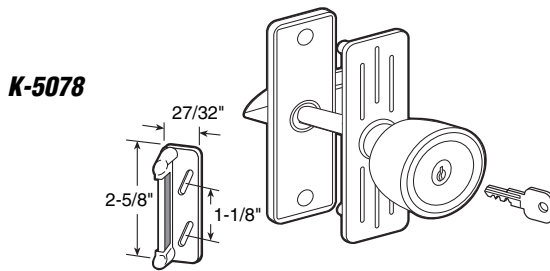
K-5077 (Aluminum)

Tulip Knob Latch

Contents: 1 outside knob; 1 inside handle; 1 strike; 1 set of installation screws.

Description: For most outswinging doors **1" to 1-1/4" thick**; interior locking mechanism; **(3" hole spacing)**.

You may also wish to stock these related parts: **K-5058, K-5067, K-5074, K-5078.**



K-5078

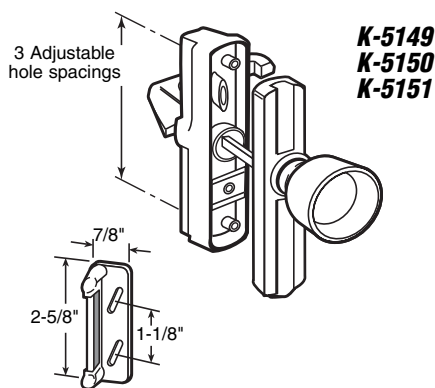
K-5078 (Aluminum)

Tulip Knob Lock

Contents: 1 outside locking knob; 1 inside handle; 1 strike; 2 keys; 1 set of installation screws.

Description: For most outswinging doors **1" to 1-1/4" thick**; key-in knob is used for re-entry only; **(3" hole spacing)**.

You may also wish to stock these related parts: **K-5058, K-5067, K-5073, K-5074, K-5076.**



K-5149
K-5150
K-5151

K-5149 (Aluminum)
K-5150 (Black)
K-5151 (White)

Universal Knob Latch (Adjustable hole centers)

Contents: 1 outside knob; 1 inside handle; 1 strike; 2 shims; 2 screw inserts; 1 set of installation screws.

Description: For outswinging doors **5/8" to 1-1/4" thick**; interior locking; movable screw inserts to accommodate **(1-1/2", 1-3/4" and 3" hole spacing)**.

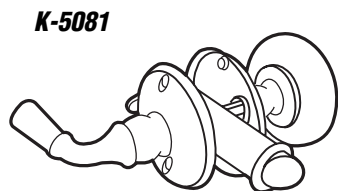
K-5081 (Polished brass)

Mortise Door Lock

Contents: 1 outside knob; 1 inside handle; 1 mortise latch; 2 backplates; includes all installation parts.

Description: Solid brass (knob, handle & backplates); for wood and metal doors **7/8" to 1-3/8" thick**; interior locking mechanism; round outside knob and lever action inside handle; primarily used on wood doors; requires a **1-3/4" backset**.

You may also wish to stock these related parts: **K-5026, K-5027, K-5028, K-5067, K-5073, K-5074, K-5076.**



K-5081

Storm and Screen Door

- K-5006** (Aluminum)
- K-5007** (Black)
- K-5008** (Gold)
- K-5145** (White)

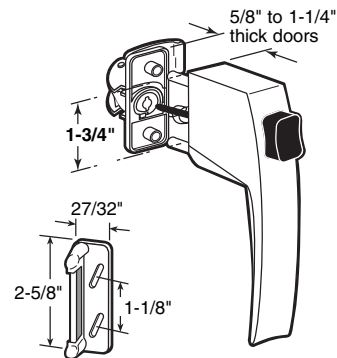
Push Button Latch

Contents: 1 outside handle; 1 inside latch; 1 strike; 1 set of installation screws.

Description: Designed for outswinging wood or metal, screen or storm doors; **5/8" to 1-1/4" thick**, complete with night lock; (**1-3/4" hole spacing**).

You may also wish to stock these related parts: **K-5003, K-5004, K-5027, K-5028.**

- K-5006**
- K-5007**
- K-5008**
- K-5145**



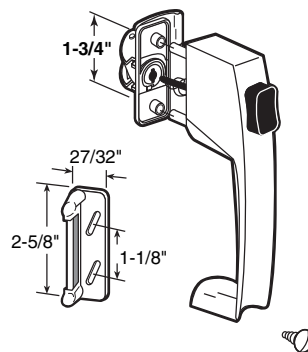
- K-5070** (Aluminum)
- K-5071** (Black)
- K-5116** (White)
- K-5171** (Chocolate brown)

Push Button Latch

Contents: 1 outside handle; 1 inside latch; 1 strike; 1 set of installation screws.

Description: Designed for outswinging wood or metal, screen or storm doors; **1" to 1-1/4" thick**; complete with night lock; contemporary design with tie-down screw at bottom of handle; (**1-3/4" hole spacing**); for **key locking**, use **K-5024**.

You may wish to stock these related parts: **K-5027, K-5028.**



- K-5070**
- K-5071**
- K-5116**
- K-5171**

- K-5107** (Aluminum)
- K-5082** (Black)

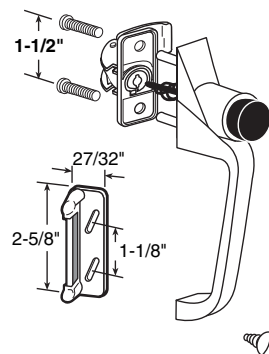
Push Button Latch

Contents: 1 outside handle; 1 inside latch; 1 strike; 1 set of installation screws.

Description: For outswinging screen and storm doors **1" to 1-1/4" thick**; interior locking and no-lockout feature; (**1-1/2" hole spacing**).

You may wish to stock these related parts: **K-5026, K-5028, K-5073, K-5076, K-5082.**

- K-5107**
- K-5082**



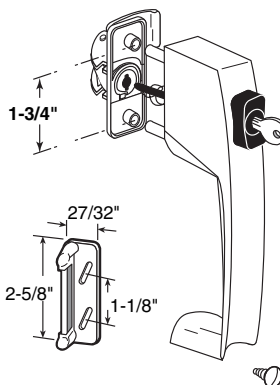
- K-5089** (Aluminum)
- K-5090** (Black)
- K-5140** (White)

Push Button Lock

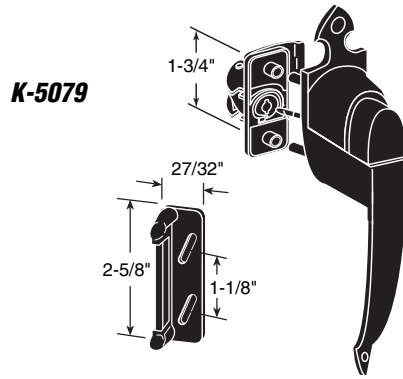
Contents: 1 outside handle; 1 inside latch; 1 keyed locking unit; 1 strike; 1 set of installation screws.

Description: Designed for outswinging wood or metal, screen or storm doors, **1" to 1-1/4" thick**; contemporary design with tie-down screw at bottom of handle; (**1-3/4" hole spacing**).

You may wish to stock these related parts: **K-5027, K-5028.**



- K-5089**
- K-5090**
- K-5140**



K-5079

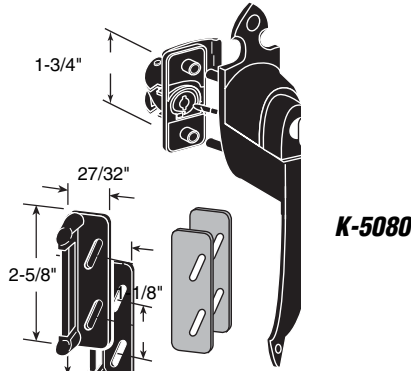
K-5079 (Black)

Colonial Push Button Latch

Contents: 1 outside handle; 1 inside latch; 1 strike; 1 set of installation screws.

Description: For outswinging screen and storm doors **1" to 1-1/4" thick; black hammered finish;** interior locking and no-lockout feature; **(1-3/4" hole spacing)**.

You may wish to stock these related parts: **K-5026, K-5028, K-5073, K-5076, K-5099.**



K-5080

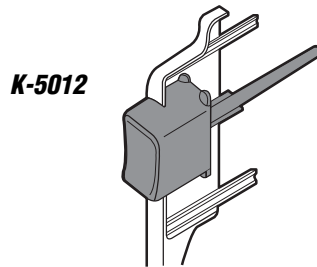
K-5080 (Black)

Colonial Push Button Lock

Contents: 1 outside handle; 1 inside latch; 1 keyed locking unit; 1 strike; 1 set of installation screws.

Description: For outswinging screen and storm doors **1" to 1-1/4" thick; black hammered finish;** interior locking and no-lockout feature; keyed locking push button for outside key control; **(1-3/4" hole spacing)**.

You may wish to stock these related parts: **K-5026, K-5028.**



K-5012

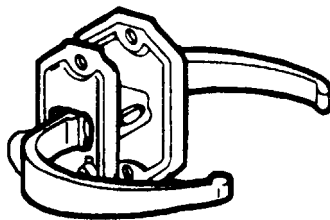
K-5012

Replacement Push Button

Contents: 1 push button spindle.

Description: **Black plastic** push button; replacement for most *Ideal Security* pushbutton type latches.

You may wish to stock these related parts: **K-5006, K-5007, K-5070, K-5071.**



K-5125

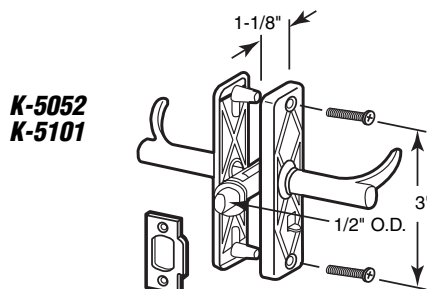
K-5125 (Aluminum)

Push/Pull Latch

Contents: 1 inside/outside pull handle; 2 cover plates; 1 set of installation screws.

Description: Popular for wood or metal doors; **installs in 1" dia. single hole;** no mortising; for outswinging doors **1" to 1-3/8" thick;** pull to open from outside, push to open from inside; **backset 11/16" from surface of stop on jamb.**

You may also wish to stock these related parts: **K-5009, K-5010, K-5011, K-5074, K-5076.**



K-5052
K-5101

K-5052 (Aluminum)

K-5101 (Black)

Door Latch

Contents: 1 outside handle; 1 inside handle; 1 mortise bolt; 1 strikeplate; 1 set of installation screws.

Description: Designed to fit most combination screen and storm doors; **reversible;** internal lock for extra security; accepts **7/8" to 1-1/4" door thickness;** **3/4" backset;** uses **3" hole spacing.**

You may also wish to stock these related parts: **K-5053, E-2151**(keyed locking cylinder).

Storm and Screen Door

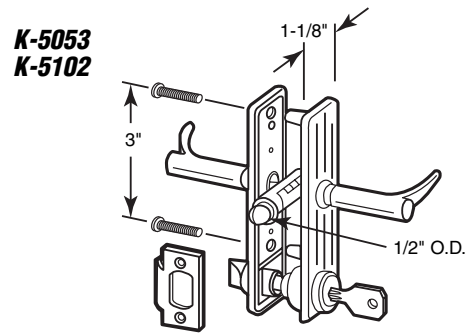
K-5053 (Aluminum)
K-5102 (Black)

Door Lock

Contents: 1 outside handle; 1 inside handle; 1 mortise bolt; 1 strikeplate; 1 locking cylinder; 1 set of installation screws.

Description: Designed to fit most combination screen and storm doors; exterior key cylinder (**E-2151**); **reversible**; accepts **7/8"** to **1-1/4"** door thickness; **3/4"** backset; uses **3"** hole spacing.

You may also wish to stock these related parts: **K-5052**, **E-2151**.



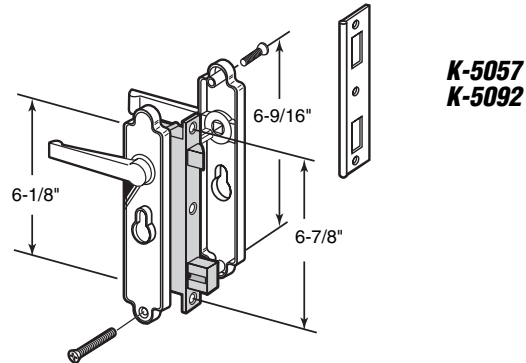
K-5057 (Black)
K-5092 (Black with locking cylinder)

Security Door Mortise Lock

Contents: 1 inside handle; 1 outside handle; 1 spindle; 1 mortise lock assembly; 1 strikeplate; (1 locking cylinder); 1 set of installation screws.

Description: Heavy duty **diecast**, **low profile**, lever handled mortise lock; **brass plated steel** strike; as supplied on wire mesh type security doors; uses **K-5061** double key cylinder; used on **Academy** doors.

You may also wish to stock related parts: **K-5062**, **K-5073**.



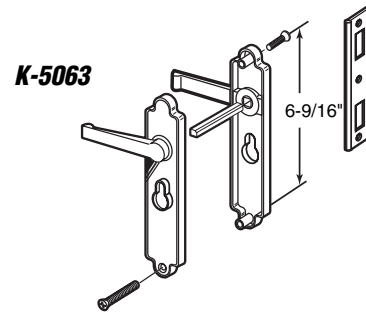
K-5063 (Black)

Mortise Lock Levers Only

Contents: 1 inside handle; 1 outside handle; 1 spindle; assembly screws.

Description: **Diecast** inside and outside handle assemblies for use on **K-5057** & **K-5092**.

You may also wish to stock these related parts: **K-5057**, **K-5061**, **K-5062**, **K-5064**.



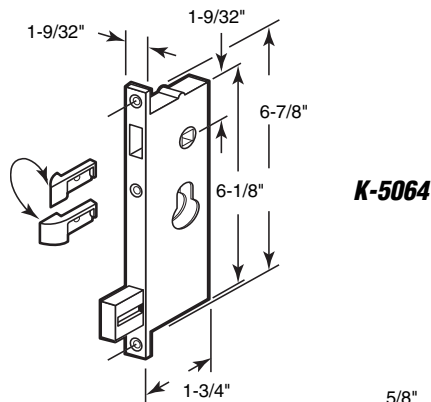
K-5064

Mortise Lock Insert

Contents: 1 mortise lock insert.

Description: Heavy duty **diecast** mortise lock insert; non-handed; **reverse latchbolt** for left or right-hand application; used with **K-5057** & **K-5092**.

You may also wish to stock these related parts: **K-5057**, **K-5061**, **K-5062**, **K-5063**.



K-5056 (Black)
K-5091 (Black with locking cylinder)

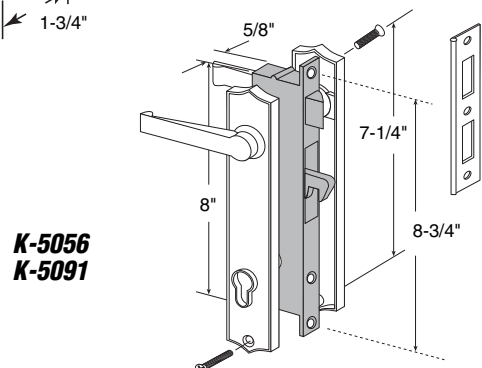
Call for Availability

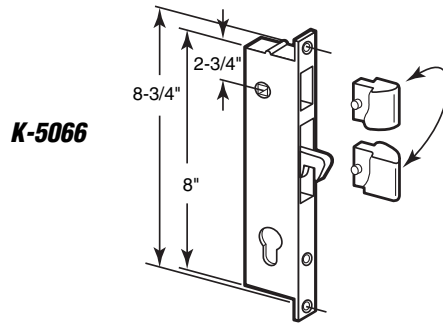
Security Door Mortise Lock

Contents: 1 inside handle; 1 outside handle; 1 spindle; 1 mortise lock assembly; 1 strikeplate; (1 locking cylinder); 1 set of installation screws.

Description: Heavy duty **diecast**, **low profile**, lever handled mortise lock; **brass plated steel** strike; as supplied on wire mesh type security doors; uses **K-5061** double key cylinder; used on **Columbia** doors.

You may wish to stock these related parts: **K-5059**, **K-5061**, **K-5073**.





K-5066

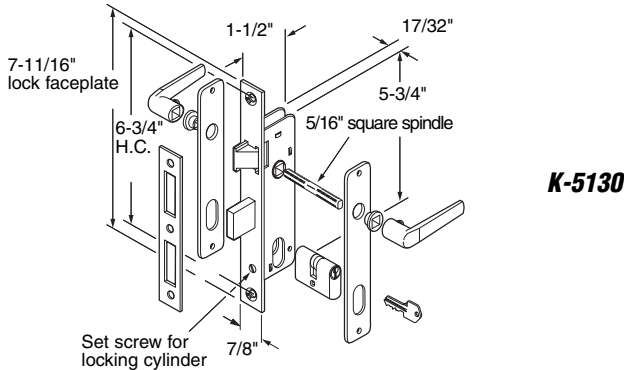
K-5066

Mortise Lock Insert

Contents: 1 mortise lock insert.

Description: Heavy duty **diecast** mortise lock insert; non-handed; **reverse latchbolt** for left or right hand application; used with **K-5056 & K-5091**.

You may wish to stock these related parts: **K-5059, K-5061, K-5062, K-5065**.



K-5130

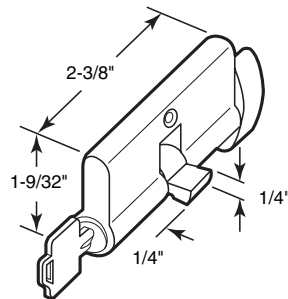
K-5130 (Brass finish)

Storm Door Mortise Lock

Contents: 1 mortise lock; 1 strike; 2 trim plates; 2 lever handles; 1 locking cylinder with 2 keys; 1 set of installation fasteners.

Description: Stamped **steel** mortise case; **solid brass** trim plates; **brass plated, diecast**, low profile handles; **solid brass** double keyed, 5 pin tumbler cylinder lock; for **1" to 1-1/2"** thick storm doors; used by several manufacturers.

**K-5105
K-5062**



K-5105 (*Schlage* keyway)

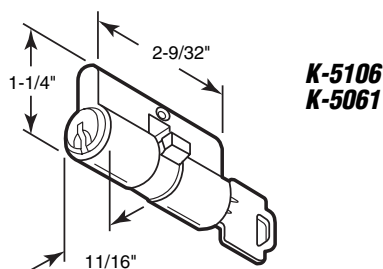
K-5062 (*Kwikset* keyway)

Locking Cylinder With Thumbturn

Contents: 1 cylinder with key.

Description: **Solid brass 5 pin tumbler**; used with security screen door mortise locking devices; adjusts to most door thicknesses.

You may also wish to stock these related parts: **K-5056, K-5057, K-5061, K-5062, K-5063, K-5064, K-5065**.



**K-5106
K-5061**

K-5106 (*Schlage* keyway)

K-5061 (*Kwikset-Weiser* keyway)

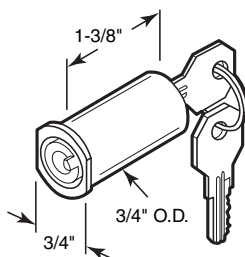
Locking Cylinder (Double keyed)

Contents: 1 cylinder; 2 keys

Description: **Double keyed, solid brass, 5 pin tumbler**; used with security screen door mortise locking devices; adjusts to most door thicknesses; for interior and exterior key locking.

You may also wish to stock these related parts: **K-5056, K-5057, K-5061, K-5062, K-5063, K-5064, K-5065**.

K-5021



K-5021

Locking Unit

Contents: 1 locking cylinder with 2 keys.

Description: Key cylinder unit converts most **1-3/4"** hole spacing knob latches to key operating units; one size fits doors **5/8" to 1-1/4"** thick.

You may also wish to stock these related parts: **K-5000, K-5001, K-5022, K-5152**.

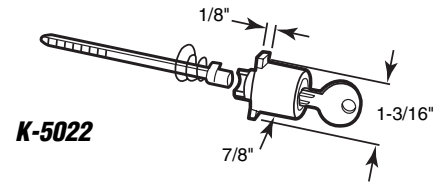
K-5022

Locking Unit

Contents: 1 push button locking cylinder; 1 latch activator shaft.

Description: Push button locking cylinder is used to convert *Ideal Security* SK-980 (12-80) push button latches to key operating units.

You may also wish to stock these related parts: **K-5021**.



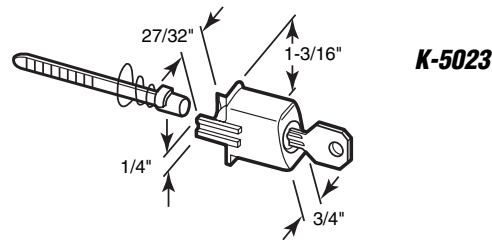
K-5023

Locking Unit

Contents: 1 push button locking cylinder; 1 latch activator.

Description: Push button locking unit replaces regular push button and converts latch to key lock; used on *Ideal "Old Style"* latches.

You may wish to stock these related parts: **K-5020, K-5024**.



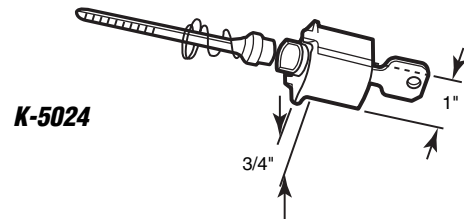
K-5024

Locking Unit

Contents: 1 push button locking cylinder; 1 latch activator shaft.

Description: Push button locking unit replaces regular push button and converts latch to key lock; fits **K-5070, K-5071, K-5116 & K-5171** handles; also used on *Ideal "New Style" & Wright Products* latches.

You may also wish to stock these related parts: **K-5006, K-5007, K-5008, K-5020**.



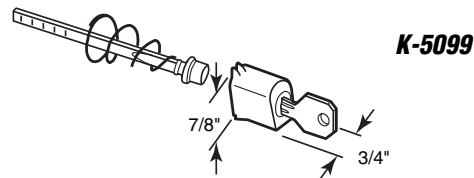
K-5099 (Black)

Locking Unit

Contents: 1 push button locking cylinder; 1 latch activator shaft.

Description: Push button locking unit replaces regular push button and converts latch to key lock; use on *"Colonial"* handle sets **K-5079 & K-5080**.

You may also wish to stock these related parts: **K-5003, K-5004, K-5079**.

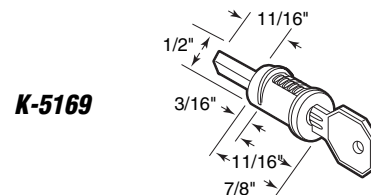


K-5169 (1-1/8" thick door)

Locking Unit

Contents: 1 lock with 2 keys.

Description: Wafer type; diecast housing; used to keylock handle sets **K-5053, K-5101** and **K-5102**.

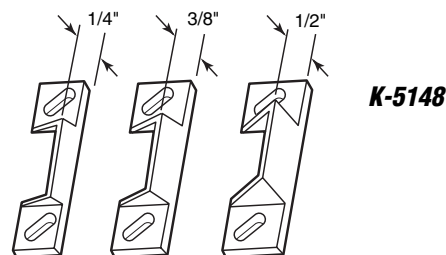


K-5148

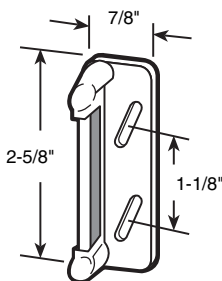
Strike Plates

Contents: 3 strike assortment; installation screws.

Description: Zinc diecast strike plates with slotted holes for universal use with a variety of retractable inside latches



K-5003
K-5004
K-5005
K-5117



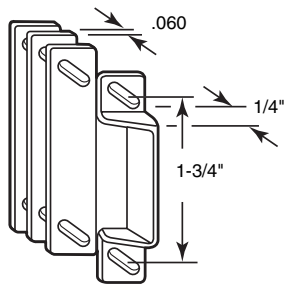
K-5003 (Aluminum)
K-5004 (Black)
K-5005 (Gold)
K-5117 (White)

Strike Plate

Contents: 1 strike; 2 shim plates; 1 set of installation screws.

Description: Resilient strike is used on latches with a **rigid interior latch**; adjustable to fit most installations.

You may wish to stock these related parts: **K-5003, K-5004.**



K-5009
K-5010
K-5011

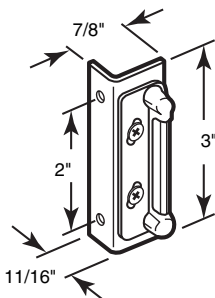
K-5009 (Aluminum)
K-5010 (Black)
K-5011 (Gold)

Strike Plate

Contents: 1 strike; 2 shim plates; 1 set of installation screws.

Description: **Diecast strikeplate** is used on latches with a **spring loaded retractable inside latch**; adjustable to fit most installations.

K-5013
K-5014
K-5015



K-5013 (Aluminum)
K-5014 (Black)
K-5015 (Gold)

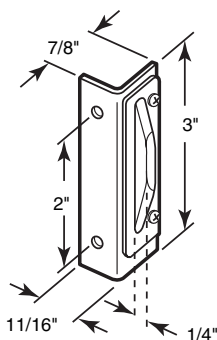
Strike Plate (Double door)

Contents: 1 strikeplate; 1 set of installation screws.

Description: For **double** screen door installations when used with a rigid interior latch; mounts onto fixed panel.

You may also wish to stock these related parts: **K-5000, K-5006, K-5019.**

Call for Availability



K-5016

K-5016 (Aluminum)

Strike Plate (Double door)

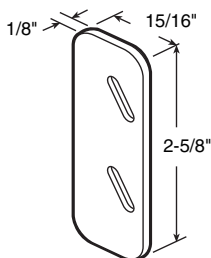
Contents: 1 strikeplate; 1 set of installation screws.

Description: For **double screen door** installations when used with a retractable inside latch; mounts onto fixed panel.

You may wish to stock these related parts: **K-5000, K-5006, K-5019.**

Call for Availability

K-5100



K-5100

Shim Plates (Plastic)

Contents: 4-1/8" thick shims.

Description: **Plastic shim** for use with spring loaded strike plate, allows strike to be raised from door stop to make firm contact with latch.

You may wish to stock these related parts: **K-5000, K-5001, K-5003 thru K-5006, K-5007, K-5112, K-5070, K-5071.**

Storm and Screen Door

K-5025 (Aluminum)

K-5098 (Black)

Inside Latching Handle

Contents: 1 inside latch assembly.

Description: Inside latching unit has rigid latch face; used to replace many (knob latch) interior latches, with **1-3/4" hole centers**.

You may also wish to stock these related parts: **K-5003, K-5004, K-5005.**

K-5096 (Aluminum)

K-5097 (Black)

Outside Handle

Contents: 1 outside latch assembly.

Description: Spring loaded outside knob latch used to repair most knob-type latches; **1-3/4" hole spacing**.

You may also wish to stock these related parts: **K-5025, K-5027, K-5098.**

K-5133 (Black - 1-1/2" hole centers)

K-5134 (Aluminum - 1-1/2" hole centers)

K-5135 (Aluminum - 1-3/4" hole centers)

K-5136 (Black - 1-3/4" hole centers)

Inside Latching Handle

Contents: 1 inside latch assembly.

Description: Inside latch; used to repair most push button type latches using resilient strikes.

You may also wish to stock these related parts: **K-5006, K-5007, K-5082, K-5107.**

K-5050 (Brass plated)

Pull Handle

Contents: 1 handle; 1 set of installation screws.

Description: **Wrought steel construction**; a traditional pull handle used on most wood screen doors.

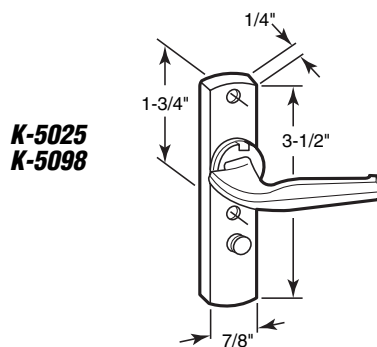
You may also wish to stock these related parts: **K-5043, K-5044.**

K-5037

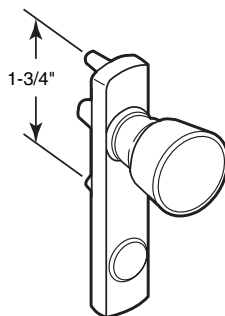
Brace with Turn Buckle

Contents: 1 turn buckle; 2 rods; 1 set of installation screws.

Description: Brace system used on wood screen and storm doors to protect against warping; **1/4" diameter steel rods**; diecast turn buckle; **42" total length**.



K-5025
K-5098



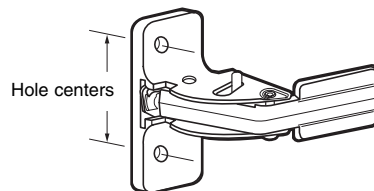
K-5096
K-5097

K-5133

K-5134

K-5135

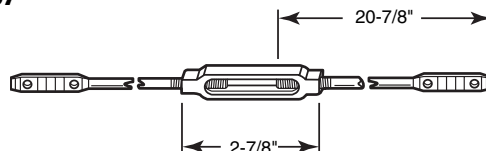
K-5136



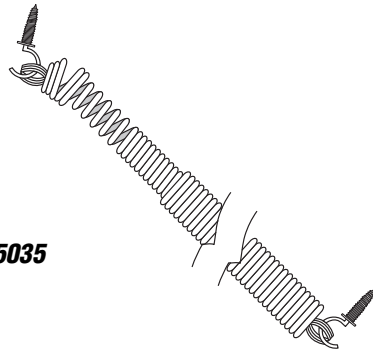
K-5050



K-5037



K-5035



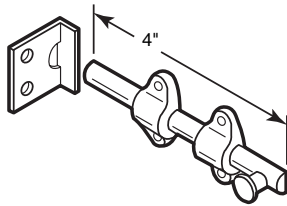
K-5035

Adjustable Door Spring

Contents: 1 spring assembly; 2 hooks.

Description: Zinc plated steel spring offers, **positive tension adjustment** for most storm and screen doors; turn adjusting spring in or out of main spring to change tension for light or heavy doors.

Note: For bulk, non-adjustable, springs see page K-15.



K-5019

K-5019 (Chrome)

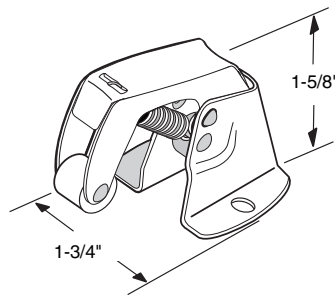
Slide Bolt

Contents: 1 bolt with strikeplate; 1 set of installation screws.

Description: Slide bolt used on double screen door installations; locks the fixed panel into place.

You may also wish to stock these related parts: **K-5013, K-5014, K-5015, K-5016.**

K-5051



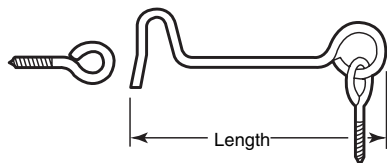
K-5051

Door Catch

Contents: 1 catch; 1 set of installation screws.

Description: Zinc plated steel; designed to fit all types of doors; **no-mar roller**; will work on most door and casing thicknesses; holds door in closed position.

You may also wish to stock these related parts: **K-5043, K-5044.**



**K-5036
K-5144**

K-5036 (2-1/2")

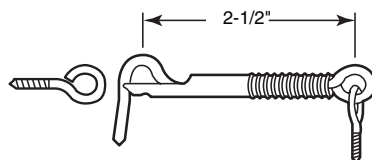
K-5144 (2")

Hook and Eye

Contents: 2 hooks; 2 eyes.

Description: Zinc plated steel hook used to secure wood screen door to jamb.

K-5054



K-5054

Hook and Eye

Contents: 2 hooks; 2 eyes.

Description: Zinc plated steel hook with **safety catch**; for wood screen doors; reduces chance of inadvertent hook removal.

K-5045

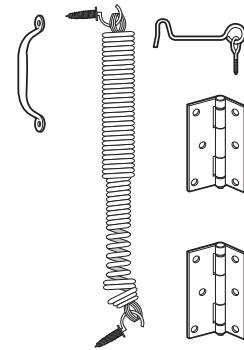
Wood Screen Door Kit

Contents: 1 handle; 1 hook; 2 butt hinges; 1 adjustable spring; 2 shims and the installation fasteners.

Description: The handle, hook and hinges are **brass plated steel**; the spring is **gold iridite spring steel**; use for left or right hand installations; hinges are reversible for surface or edge mounting and the adjustable spring allows for tension adjustment for light or heavy doors.

You may wish to stock these related parts: **K-5026, K-5035, K-5038, K-5039.**

K-5045



K-5159

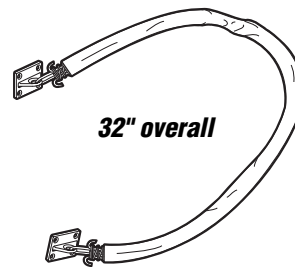
Protector Chain (Commercial)

Contents: 1 chain assembly; 1 vinyl cover; 1 adjustment link; 1 set of installation screws.

Description: **Satin chrome** chain with heavy duty **diecast zinc** mounting plates; has 2 compression springs and vinyl protective cover; designed for heavy doors; **adjustable from 20" to 30-1/2"**.

32" overall

K-5159



K-5026 (Aluminum)

K-5141 (Black)

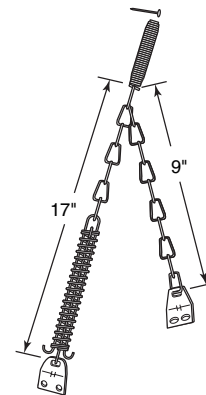
Protector Chain

Contents: 1 chain assembly with attaching hardware.

Description: Protects wood or metal outswinging doors from wind damage; heavy gauge **spring wire** and **steel chain** installs to door and jamb.

You may wish to stock these related parts: **K-5038, K-5039.**

**K-5026
K-5141**



K-5137

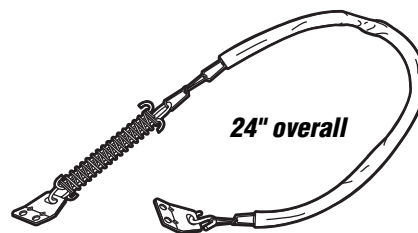
Deluxe Protector Chain

Contents: 1 chain assembly with vinyl cover; attaching hardware.

Description: Protects wood or metal outswinging doors from wind damage; vinyl cover protects doors against scratching; heavy gauge **wire spring** and **steel chain**; installs to door and jamb.

24" overall

K-5137



K-5038 (Aluminum)

K-5039 (Black)

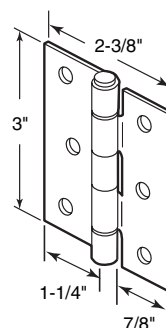
Replacement Hinge (Steel)

Contents: 2 hinges; 1 set of installation screws.

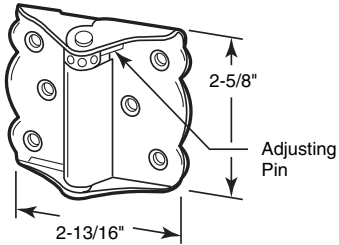
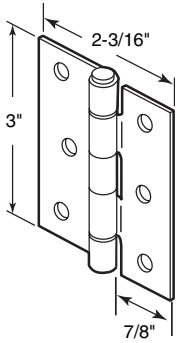
Description: **Painted steel hinge**; use for full or half mortise installations.

You may wish to stock these related parts: **K-5000, K-5006.**

**K-5038
K-5039**

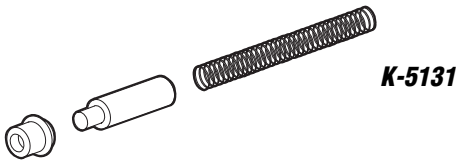
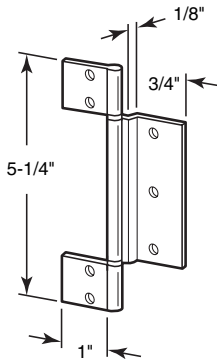


K-5142



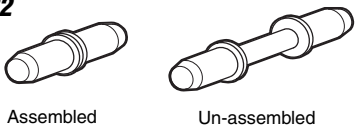
**K-5043
K-5044**

K-5093



K-5131

K-5132



Assembled

Un-assembled

K-5142

Replacement Hinge (Aluminum)

Contents: 2 hinges; 1 set of installation screws.

Description: Aluminum hinges with brass oilite bearings; for wood or metal screen or storm doors.

K-5043 (Black)
K-5044 (Brass)

*Call for
Availability*

Self-Closing Hinge

Contents: 2 hinges; 1 set of installation screws.

Description: Painted or plated stamped steel hinge is spring loaded for automatic closing; adjustable spring tension; for most wood screen doors.

You may wish to stock these related parts: **K-5049, K-5050.**

K-5093

Replacement Hinge

Contents: 1 hinge; 1 set of #8 x 1/2" pan head installation screws.

Description: Extruded aluminum; 3-piece assembly; 1/8" offset center leaf; used by many screen door manufacturers.

You may wish to stock these related parts: **K-5000, K-5067.**

K-5131 (White)

Hinge Pins and Bushings

Contents: 6 pins; 6 bushings; 3 springs.

Description: Nylon pins and bushings; used in storm door hinges by several manufacturers.

You may wish to stock these related parts: **K-5000, K-5067.**

K-5132 (Black)

Hinge Pins

Contents: 6 pins.

Description: Nylon hinge pins and bushings; used in hinges on *Croft* storm doors.

You may wish to stock these related parts: **K-5000, K-5067.**

- K-5027** (Aluminum)
- K-5028** (Black)
- K-5029** (Gold)
- K-5118** (White)
- K-5172** (Chocolate brown)

Pneumatic Closer

Contents: 1 closer with mounting brackets and attaching hardware.

Description: Specifically designed for **medium weight doors**; **internally lubricated**, **adjustable** closing power and **"fast latch"** feature insures door is latched securely.

You may wish to stock these related parts: **K-5000, K-5006.**

- K-5103** (Aluminum)
- K-5104** (Black)
- K-5158** (White)

Pneumatic Closer

Contents: 1 closer with mounting brackets and attaching hardware.

Description: Specifically designed for **light weight West Coast** screen doors; **internally lubricated**, **adjustable** closing power insures door is latched securely.

You may wish to stock these related parts: **K-5000, K-5006, K-5027.**

- K-5067** (Aluminum)
- K-5073** (Black)
- K-5119** (White)
- K-5173** (Chocolate brown)

Pneumatic Closer

Contents: 1 closer with mounting brackets and attaching hardware.

Description: **Standard duty** screen or storm door closer; **adjustable** closing speed; used on **medium weight** doors.

You may wish to stock these related parts: **K-5000 thru K-5008, K-5031, K-5033, K-5034.**

- K-5074** (Aluminum)
- K-5076** (Black)

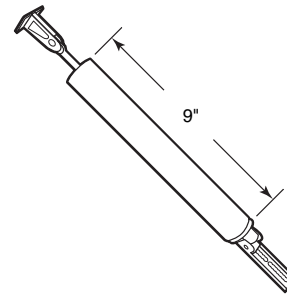
Pneumatic Closer (With shock-spring)

Contents: 1 closer with mounting brackets and attaching hardware.

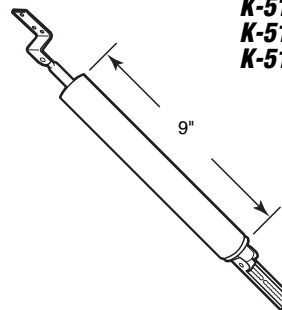
Description: **Heavy duty** storm door closer; **adjustable** closing speed; used on **medium to heavy weight** doors.

You may wish to stock these related parts: **K-5000, K-5008, K-5026, K-5038, K-5039, K-5081.**

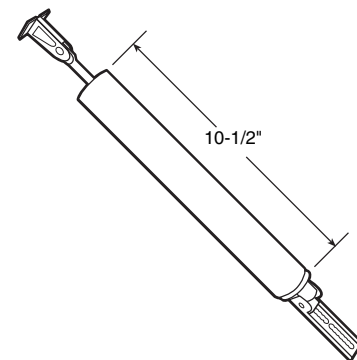
K-5027
K-5028
K-5029
K-5118
K-5172



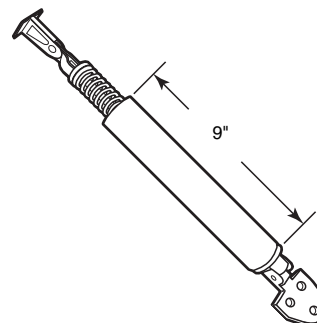
K-5103
K-5104
K-5158



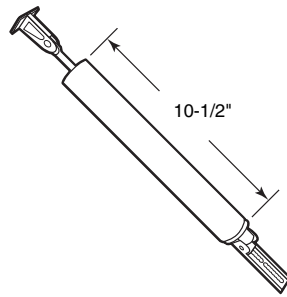
K-5067
K-5073
K-5119
K-5173



K-5074
K-5076



K-5058
K-5059



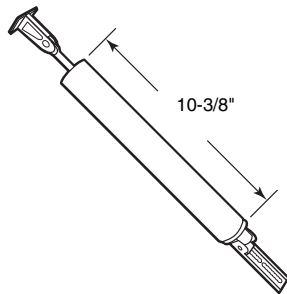
K-5058 (Aluminum)
K-5059 (Black)

Hydraulic Closer

Contents: 1 closer with mounting brackets and attaching hardware.

Description: Hydraulic door closer for medium to heavy weight doors; fully adjustable by twisting barrel; hold open in any position.

You may wish to stock these related parts: **K-5000** thru **K-5011**, **K-5027**, **K-5028**, **K-5038**, **K-5039**, **K-5074**, **K-5076**.



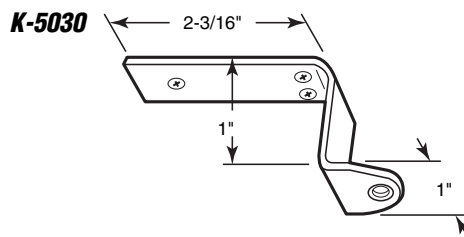
K-5108
K-5109
K-5120
K-5174

K-5108 (Aluminum)
K-5109 (Black)
K-5120 (White)
K-5174 (Chocolate brown)

Pneumatic Closer (1-1/2" Barrel)

Contents: 1 closer with mounting brackets and attaching hardware.

Description: Heavy duty closer as used on heavy storm doors; adjustable closing speed; some doors require two closers.



K-5030

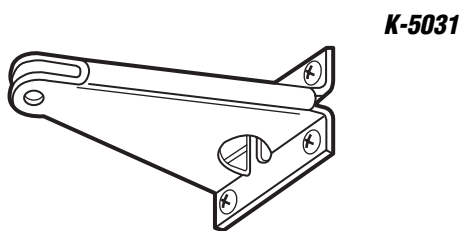
K-5030

Jamb Bracket (Top mount)

Contents: 1 bracket; 3 installation screws.

Description: Top mounting jamb bracket used with pneumatic door closers; stamped steel; ideal for narrow stop installations.

You may also wish to stock these related parts: **K-5031**, **K-5032**, **K-5033**, **K-5103**, **K-5104**, **K-5158**.



K-5031

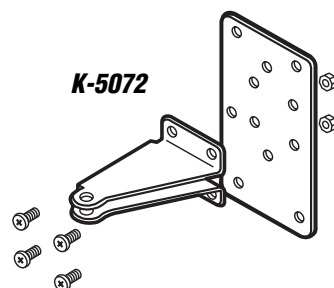
K-5031

Jamb Bracket (Side mount)

Contents: 1 bracket; 1 set of installation screws.

Description: Side mounting jamb bracket used with pneumatic door closers; stamped steel.

You may also wish to stock these related parts: **K-5030**, **K-5032**, **K-5033**, **K-5067**, **K-5073**, **K-5119**.



K-5072

K-5072

Jamb Bracket with Plate

Contents: 1 jamb bracket; 1 cover plate; 1 set of installation screws.

Description: Cadmium plated steel bracket and plate; plate bolts to bracket; used when installing over damaged jamb.

You may also wish to stock these related parts: **K-5000**, **K-5008**, **K-5070**, **K-5071**, **K-5082**.

K-5032

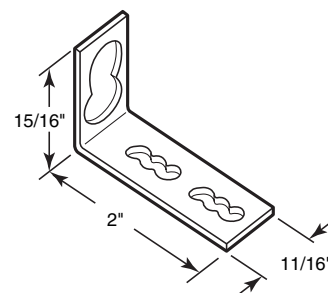
Door Bracket

Contents: 1 bracket; 1 set of installation screws.

Description: Bracket used to mount tube type closers to door surfaces; **stamped steel**.

You may also wish to stock these related parts: **K-5030, K-5032, K-5033.**

K-5032



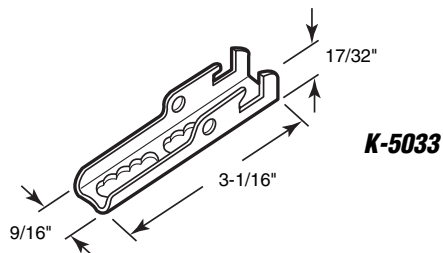
K-5033

Door Bracket

Contents: 1 bracket; 1 set of installation screws.

Description: Bracket used to mount tube type storm door closers to door surfaces; **stamped steel**; used on *Ideal Security "17-90 and 17-91"* series closers.

You may also wish to stock these related parts: **K-5030, K-5031, K-5032.**



K-5034

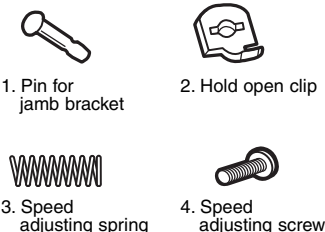
Closer Repair Kit

Contents: Jamb bracket pin; hold open clip; speed adjusting spring and screw.

Description: Replaces most of the parts that break or get lost on **pneumatic** screen and storm door closers.

You may also wish to stock these related parts: **K-5027, K-5028, K-5029.**

K-5034



K-5110 (Knob latch kit - Aluminum)

K-5111 (Knob latch kit - Black)

K-5112 (Push button kit - Aluminum)

K-5113 (Push button kit - Black)

Hardware Kits (Boxed)

Contents: 1 latch; 1 closer; complete with all brackets, parts and fasteners.

Description: **Knob or push button latch**, 1-3/4" hole spacing, for outswinging screen doors, 5/8" to 1-1/4" thick; closer (**K-5103**-aluminum or **K-5104**-black) for **lightweight West Coast screen doors**, is internally lubricated.

K-5094 (Aluminum)

K-5095 (Black)

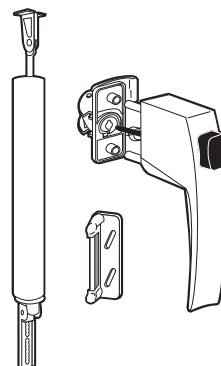
Hardware Kits (Boxed)

Contents: 1 pushbutton latch; 1 door closer; complete with all brackets, parts and fasteners.

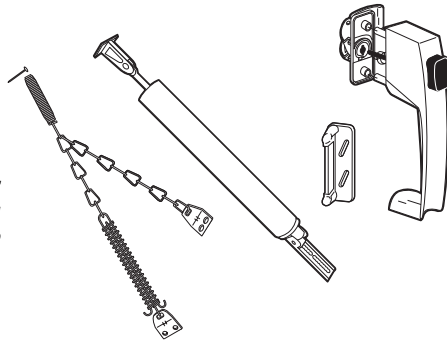
Description: Pushbutton latch, 1-3/4" hole spacing, for outswinging screen doors, 5/8" to 1-1/4" thick; **adjustable** closer (**K-5027**-aluminum or **K-5028**-black) with **"fast latch"** feature for **medium weight doors**; internally lubricated.

You may also wish to stock these related parts: **K-5000, K-5003.**

**K-5094
K-5095**



K-5075
K-5084
K-5143



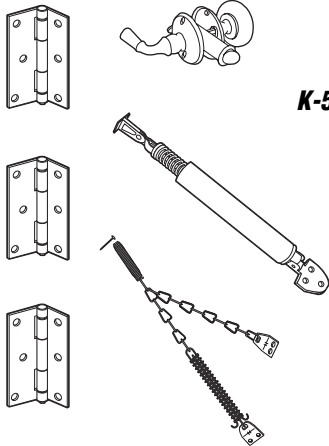
K-5075 (Black)
K-5084 (Aluminum)
K-5143 (White)

Hardware Kits (Carded)

Contents: 1 push button latch; 1 door closer; 1 chain; complete with all brackets, parts and fasteners.

Description: Push button latch, 1-3/4" hole spacing, with tie-down outside handle; door closer (**K-5073**-black or **K-5067**-aluminum) for **medium weight doors**; chain stop; for use on wood or metal doors **1" to 1-1/4" thick**.

You may also wish to stock these related parts: **K-5000, K-5008, K-5027, K-5028, K-5073, K-5074, K-5076.**



K-5083

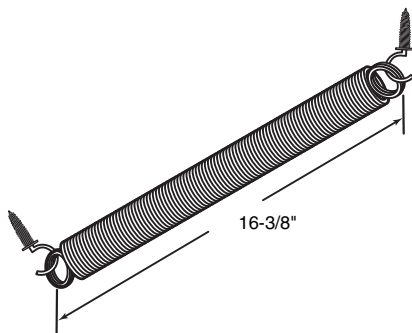
K-5083

Deluxe Wood Door Kit (Carded)

Contents: 1 mortise door lock; 3, 3-1/2" hinges; 1 door closer; 1 storm door chain; complete with all brackets, parts and fasteners.

Description: **Solid brass** door lock (**K-5081**); **brass plated steel** hinges; **aluminum finish** closer (**K-5074**); **zinc plated** storm door chain (**K-5026**); for use on wood screen and storm doors **1" to 1-1/4" thick**.

You may also wish to stock these related parts: **K-5000, K-5008, K-5027, K-5028, K-5067, K-5073.**



Wood Screen Door Springs (Bulk)

Part No.	Outside Diameter	Wire	Finish	Qty. Per Box
K-5129	23/64"	.059	Black	10
SP-9640	5/16"	.050	Nickel	10
SP-9641	23/64"	.059	Nickel	10
SP-9642	13/32"	.060	Nickel	10
SP-9643	15/32"	.065	Nickel	10
SP-9644	1/2"	.075	Nickel	10

Contents: 10 springs with 20 hooks.

Description: **Painted and plated steel** springs; traditionally used on wood screen doors or gates.