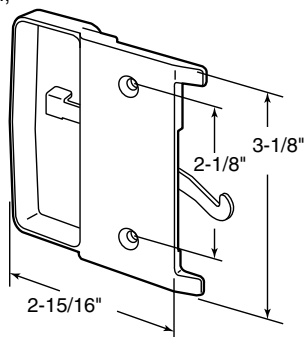


Latch and Pull (Plastic)

Contents: 1 inside pull; 1 steel latch assembly; installation screws.

Description: Plastic inside pull and latch; fits *Andersen*® four panel Frenchwood sliding screen doors.

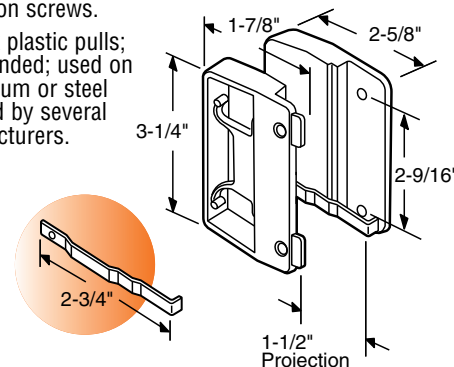


A-205 (White)
A-206 (Stone)

Latch and Pull (Plastic)

Contents: 1 inside and outside pull; 1 steel latch; 1 plastic latch activator; installation screws.

Description: Black plastic pulls; steel latch; non-handed; used on roll-formed aluminum or steel screen doors; used by several patio door manufacturers.

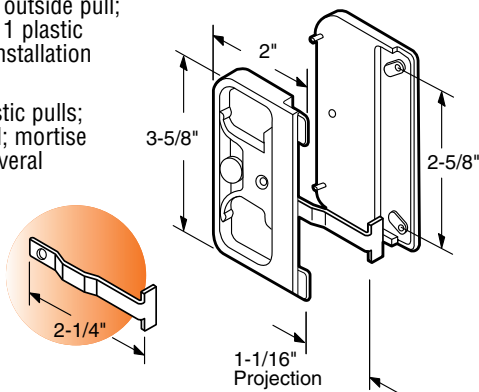


A-145 (Black)

Latch and Pull (Plastic)

Contents: 1 inside and outside pull; 1 steel latch assembly; 1 plastic activator; 1 pop rivet; installation screws.

Description: Black plastic pulls; steel latch; non-handed; mortise installation; used by several door manufacturers.

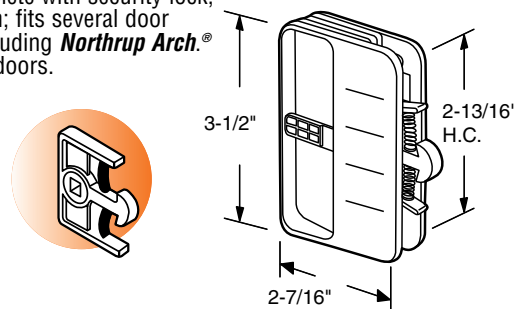


A-142 (Black)

Latch and Pull (Plastic)

Contents: 1 inside and outside pull; 1 lock and latch assembly; installation screws.

Description: Black plastic pulls; non-handed; complete with security lock; mortise installation; fits several door manufacturers including *Northrup Arch.*® and *Fran Meyer*® doors.

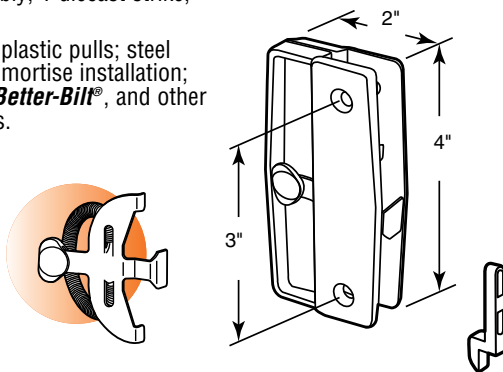


A-147 (Black)

Latch and Pull (Plastic)

Contents: 1 inside and outside pull; 1 steel latch assembly; 1 diecast strike; installation screws.

Description: Black plastic pulls; steel latch; non-handed; mortise installation; fits on *Academy*®, *Better-Bilt*®, and other door manufacturers.

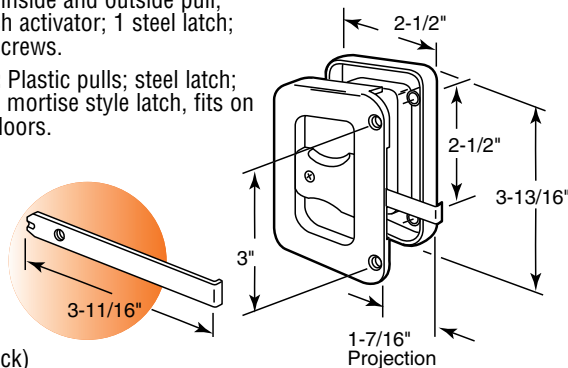


A-139 (Black)

Latch and Pull (Plastic)

Contents: 1 inside and outside pull; 1 plastic latch activator; 1 steel latch; installation screws.

Description: Plastic pulls; steel latch; non-handed, mortise style latch, fits on hat section doors.

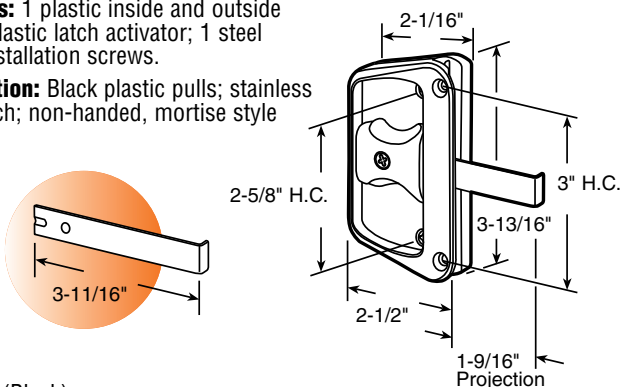


A-187 (Black)
A-228 (White)

Latch and Pull (Plastic)

Contents: 1 plastic inside and outside pull; 1 plastic latch activator; 1 steel latch; installation screws.

Description: Black plastic pulls; stainless steel latch; non-handed, mortise style latch.

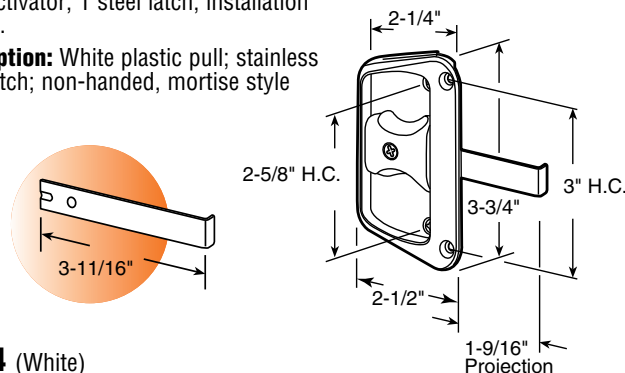


A-243 (Black)

Latch and Pull (Plastic)

Contents: 1 plastic inside pull; 1 plastic latch activator; 1 steel latch; installation screws.

Description: White plastic pull; stainless steel latch; non-handed, mortise style latch.

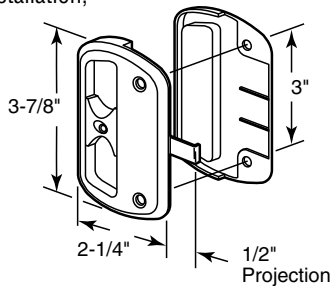
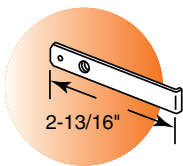


A-224 (White)

Latch and Pull (Plastic)

Contents: 1 inside and outside pull; 1 plastic latch activator; 1 steel latch; installation screws.

Description: Black plastic pulls; steel hook; non-handed; mortise installation; used on 1/2" extruded and roll-formed doors.

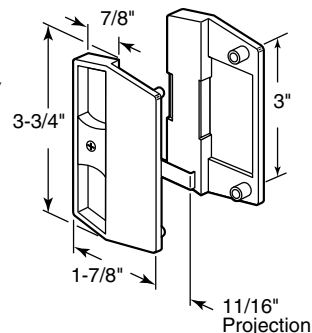
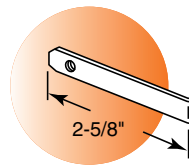


A-186 (Black)

Latch and Pull (Plastic)

Contents: 1 inside and outside pull; 1 plastic latch activator; 1 steel latch; installation screws.

Description: Black plastic pulls; steel latch; non-handed; mortise installation; snap together design; fits on **Academy Door®**.

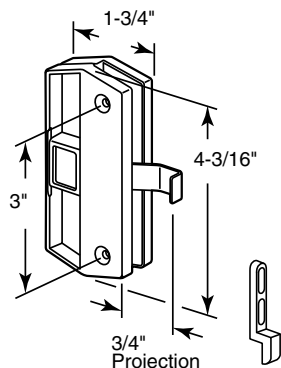
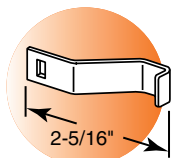


A-180 (Black)

Latch and Pull (Plastic)

Contents: 1 inside and outside pull; 1 plastic latch activator; 1 steel latch; 1 strike; installation screws.

Description: Black plastic pulls; steel latch; non-handed; mortise installation.



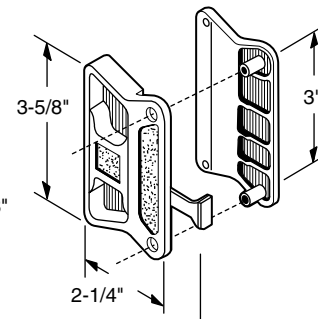
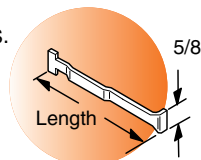
A-253 (Black)

A-254 (White)

Latch and Pull (Plastic)

Contents: 1 inside and outside pull; 1 plastic latch activator; 1 steel latch; installation screws.

Description: Black plastic pulls; steel latch; non-handed; mortise installation; fits on **Superior Aluminum®** doors.



A-168 (Black - 2-9/16" Length / 11/16" Projection)

A-201 (Black - 2-7/8" Length / 1" Projection)

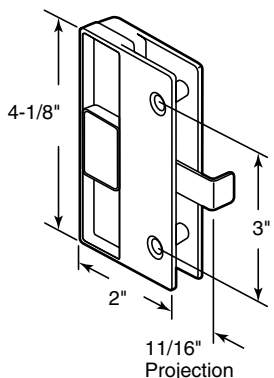
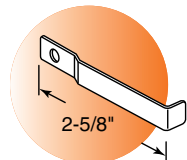
A-212 (White - 2-9/16" Length / 11/16" Projection)

Projection (See options at left)

Latch and Pull (Plastic)

Contents: 1 inside and outside pull; 1 plastic latch activator; 1 steel latch; installation screws.

Description: Black plastic pulls; steel latch; non-handed; mortise installation; new style fits on **Columbia-matic®** doors.

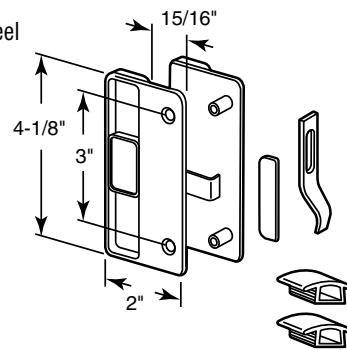
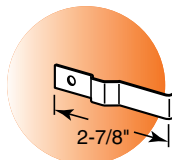


A-177 (Black)

Latch and Pull (Plastic)

Contents: 1 inside and outside pull; 1 strike; 1 plastic latch activator; 1 steel latch; installation screws.

Description: Black plastic pulls; steel latch hook; vinyl top guides; for 1" thick **Columbia Series 4000®** screen doors.

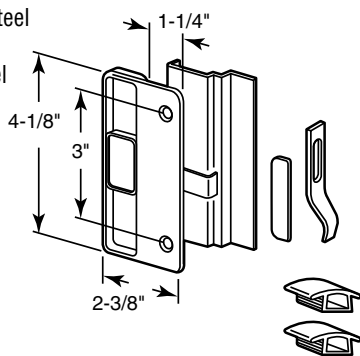
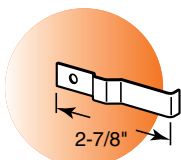


A-218 (Black)

Latch and Pull (Plastic)

Contents: 1 inside and outside pull; 1 strike; 1 plastic latch activator; 1 steel latch; installation screws.

Description: Black plastic pulls; steel latch hook; vinyl top guides; for hat section style **Columbia Supreme®** series doors.

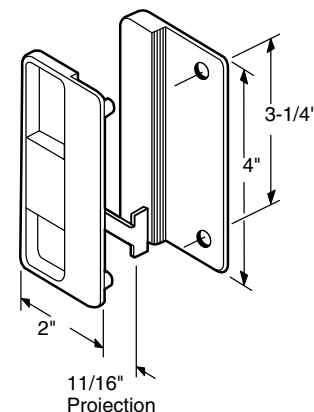
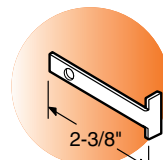


A-219 (Black)

Latch and Pull (Plastic)

Contents: 1 inside and outside pull; 1 plastic latch activator; 1 steel latch; installation screws.

Description: Plastic pulls; steel latch; non-handed; mortise installation; fits on **Jim Walters®** sliding roll-formed screen doors.



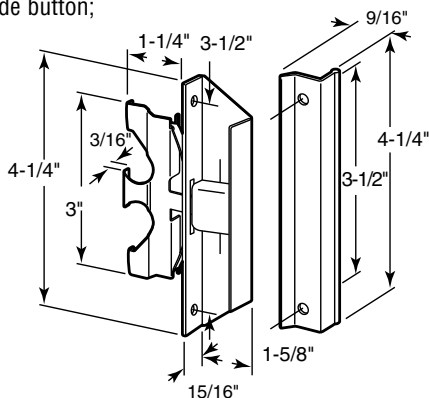
A-150 (Black)

A-237 (White)

Latch and Pull (Plastic)

Contents: 1 inside and outside pull; 1 steel latch assembly; 1 slide button; installation screws.

Description: Black inside pull has plastic latch button; steel hook with flat spring; black outside pull; fits hat section doors.

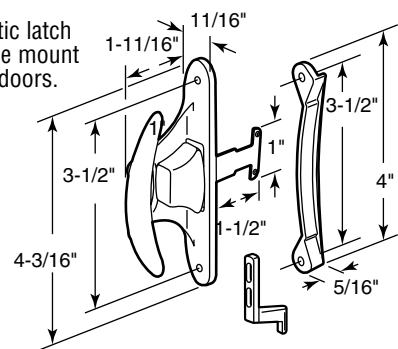


A-220 (Black)

Latch and Pull (Plastic)

Contents: 1 inside and outside pull; 1 steel latch assembly; 1 diecast strike; installation screws.

Description: Black plastic latch and pull; steel hook; side mount design; fits hat-section doors.

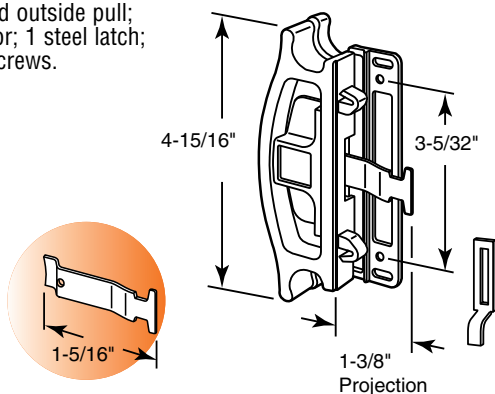


A-215 (Black)

Latch and Pull (Plastic)

Contents: 1 inside and outside pull; 1 plastic latch activator; 1 steel latch; 1 strike; installation screws.

Description: B

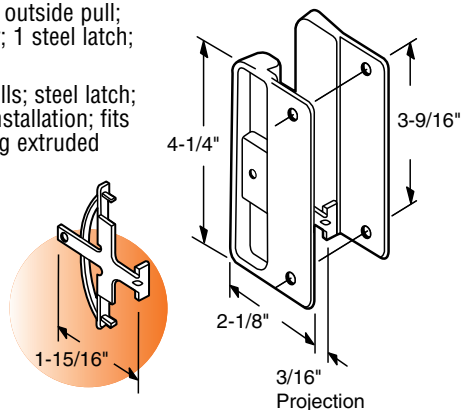


A-255 (Black)

Latch and Pull (Plastic)

Contents: 1 inside and outside pull; 1 plastic latch activator; 1 steel latch; installation screws.

Description: Plastic pulls; steel latch; non-handed; mortise installation; fits on **Jim Walters**® sliding extruded frame screen doors.

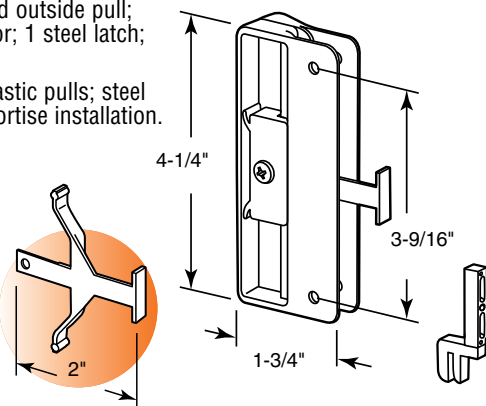


A-151 (Black)
A-238 (White)

Latch and Pull (Plastic)

Contents: 1 inside and outside pull; 1 plastic latch activator; 1 steel latch; installation screws.

Description: Black plastic pulls; steel latch; non-handed; mortise installation.

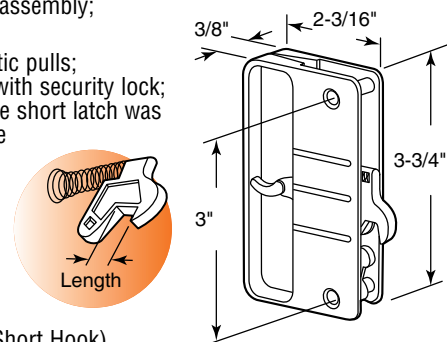


A-249 (Black)

Latch and Pull (Plastic)

Contents: 1 inside and outside pull; 1 plastic lock and latch assembly; installation screws.

Description: Black plastic pulls; non-handed; complete with security lock; fits on **Anjac**® doors; the short latch was designed for 1-5/8" wide frames, the 1/8" longer latch was designed for 1-3/4" wide frames.

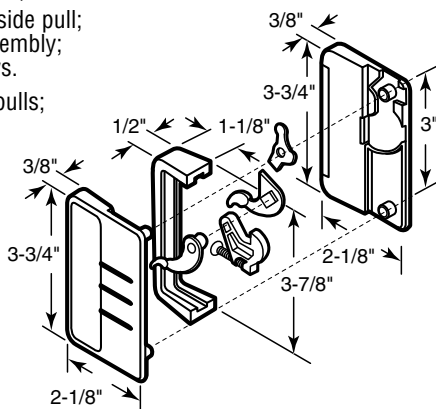


A-108 (Black - 3/16" Short Hook)
A-192 (Black - 5/16" Long Hook)

Latch and Pull (Plastic)

Contents: 1 inside and outside pull; 1 plastic lock and latch assembly; 1 spacer; installation screws.

Description: Black plastic pulls; non-handed; complete with security lock; mortise installation; spacer included for hat-section door applications; fits on extruded frame doors.

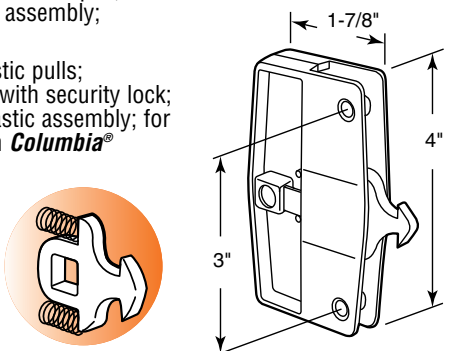


A-156 (Black)

Latch and Pull (Plastic)

Contents: 1 inside and outside pull; 1 plastic lock and latch assembly; installation screws.

Description: Black plastic pulls; non-handed; complete with security lock; mortise installation; plastic assembly; for 1/2" thick doors; fits on **Columbia**® doors.

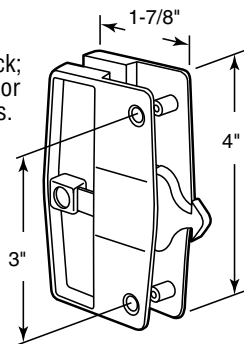
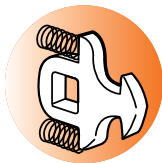


A-109 (Black)

Latch and Pull (Plastic)

Contents: 1 inside and outside pull; 1 plastic lock and latch assembly; installation screws.

Description: Black plastic pulls; non-handed; complete with security lock; mortise installation; plastic assembly; for 1" thick doors; fits on **Columbia**® doors.

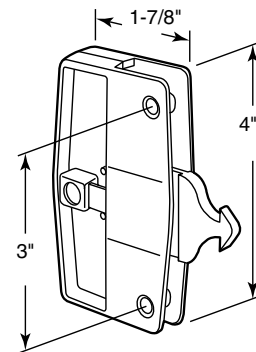
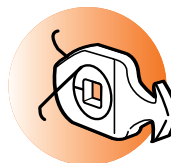


A-157 (Black)

Latch and Pull (Plastic)

Contents: 1 inside and outside pull; 1 plastic lock and latch assembly; installation screws.

Description: Black plastic pulls; non-handed; complete with security lock; mortise installation; plastic assembly; for 1/2" thick doors; fits on **Columbia**® doors.

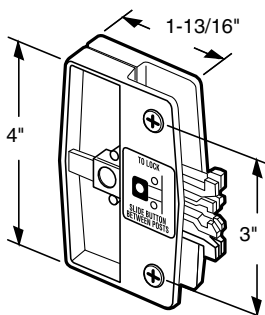
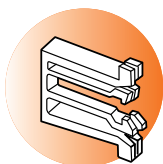


A-165 (Black)

Latch and Pull (Plastic)

Contents: 1 inside and outside pull; 1 plastic lock and latch assembly; installation screws.

Description: Black plastic pulls; non-handed; complete with security lock; mortise installation; fits on **Columbia/Sterno**® doors.

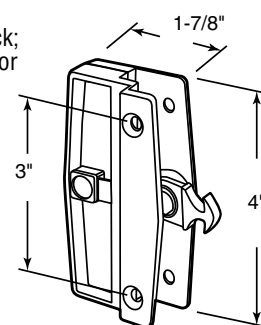


A-170 (Black)

Latch and Pull (Plastic)

Contents: 1 inside and outside pull; 1 plastic lock and latch assembly; installation screws.

Description: Black plastic pulls; non-handed; complete with security lock; mortise installation; plastic assembly; for 1" thick hat section doors; fits on **Columbia**® doors.

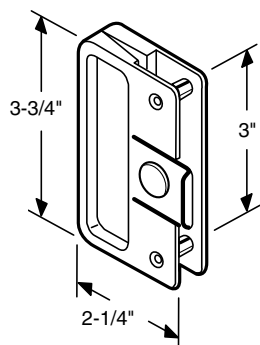


A-172 (Black)

Latch and Pull (Plastic)

Contents: 1 inside and outside pull; 1 plastic lock and latch assembly; installation screws.

Description: Black plastic pulls; non-handed; automatic latching feature; fits on **Rolleze**® screen doors.

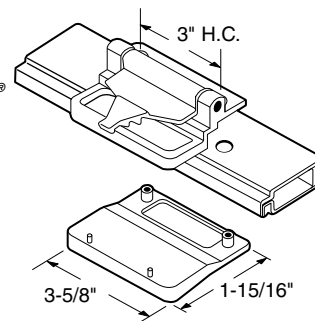


A-158 (Black)

Latch and Pull (Plastic)

Contents: 1 plastic inside pull housing and aluminum flip latch combination; 1 plastic outside pull; installation screws.

Description: Black plastic pulls; aluminum flip latch non-handed; surface mount; no strike required; spring activated; fits on **Ador HiLite**® screen doors.

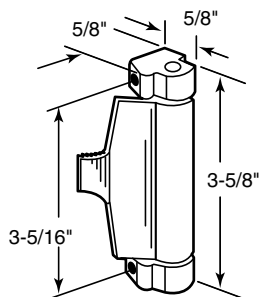


A-146 (Black)

Latch

Contents: 1 inside latch.

Description: Non-handed; spring loaded aluminum flip latch; black plastic housing; no strike required; fits on **Ador HiLite**® screen doors.



A-120 (Aluminum Latch)

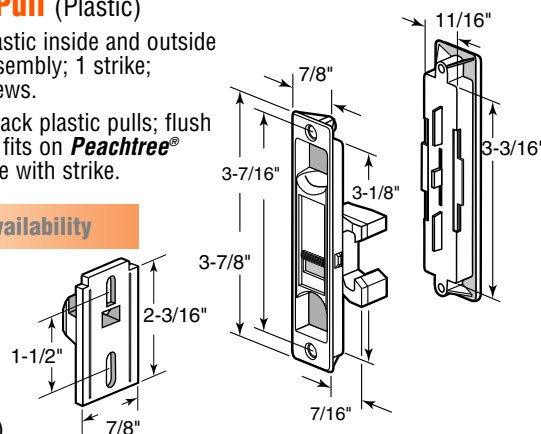
A-194 (Black Latch)

Latch and Pull (Plastic)

Contents: 1 plastic inside and outside pull; 1 latch assembly; 1 strike; installation screws.

Description: Black plastic pulls; flush latch assembly fits on **Peachtree**® doors; complete with strike.

Call For Availability



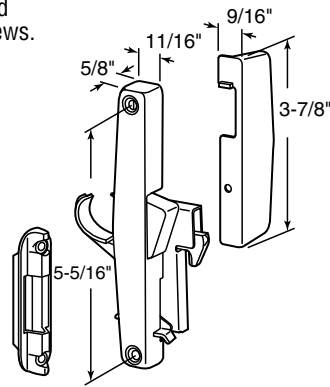
A-189 (Black)

Latch and Pull

Contents: 1 mortise latch; 1 inside and outside pull; 1 keeper; installation screws.

Description: Mortise latch has plastic hook, lever, keeper and outside pull; metal inside pull; steel nite latch lever; fits on **Pella**® doors.

Call For Availability

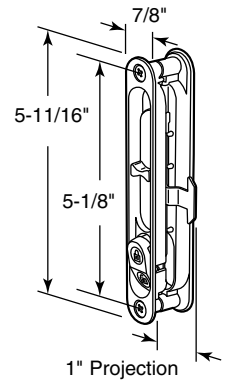


- A-225** (Gold)
- A-226** (White)
- A-227** (Champagne)

Latch and Pull (Diecast)

Contents: 1 diecast inside and outside pull; 4 steel hooks; installation screws.

Description: Diecast inside and outside pull; steel hook; automatic locking handle assembly; this latching handle is used by several door manufacturers, however, the hook configuration changes, therefore this handle is supplied with an assortment of 4 steel hooks.



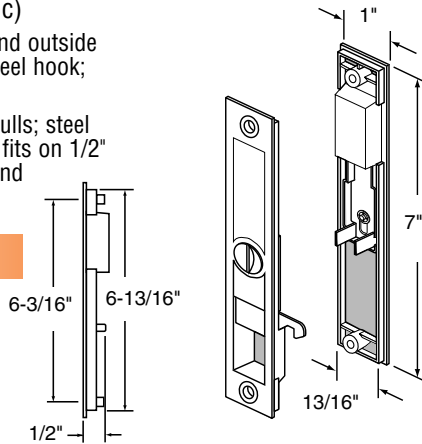
- A-202** (Black)
- A-222** (White)

Latch and Pull (Plastic)

Contents: 1 plastic inside and outside pull; 1 plastic activator; 1 steel hook; installation screws.

Description: Black plastic pulls; steel hook; flush latch assembly; fits on 1/2" thick **Columbia**® extruded and roll-formed doors.

Call For Availability

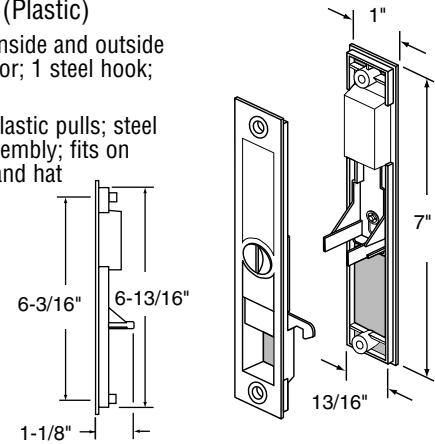


- A-178** (Black)

Latch and Pull (Plastic)

Contents: 1 plastic inside and outside pull; 1 plastic activator; 1 steel hook; installation screws.

Description: Black plastic pulls; steel hook; flush latch assembly; fits on **Columbia**® 1" thick and hat section doors.



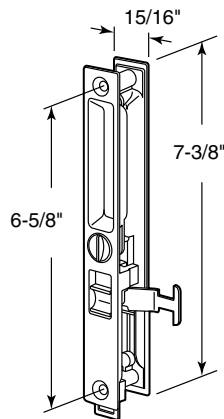
- A-179** (Black)

Latch and Pull (Diecast)

Contents: 1 diecast inside and outside pull; installation screws.

Description: Diecast flush inside and outside pull; special hook used on sliding screen doors; black painted finish.

Call For Availability

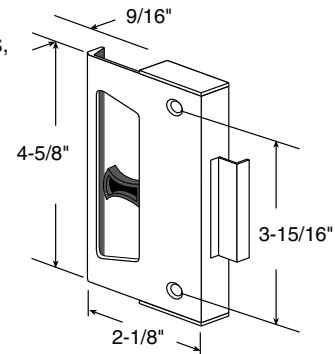


- A-223** (Black)

Latch and Pull (Aluminum)

Contents: 1 pull assembly; installation screws.

Description: Black aluminum clamp style latch; used on both screen doors, storm doors and some commercial sliding windows.

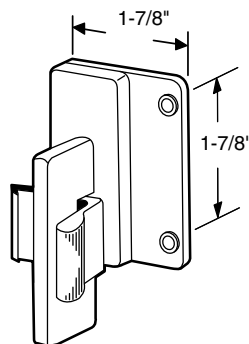


- F-2610** (Black)

Latch and Pull (Plastic)

Contents: 1 plastic inside and outside pull with spring latch; 1 keeper; installation screws.

Description: Black plastic pull; surface mount; automatic latching; fits on **H&D Industries**® and many other manufacturers.

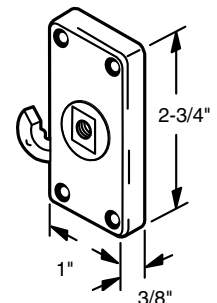


- A-160** (Black)

Latch (Diecast)

Contents: 1 diecast latch housing with hook.

Description: Internal mount diecast latch; repair part for A-152.

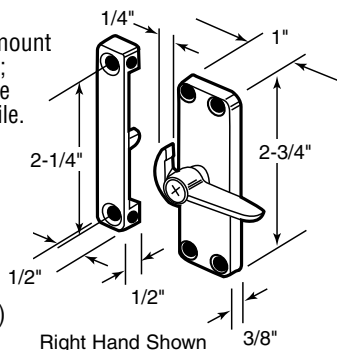


- A-167**

Latch (Diecast)

Contents: 1 latch and strike; installation screws.

Description: Diecast; surface mount latch; side or face mount strike; can be used on single or double sliding doors; extremely versatile.



A-103 (Chrome - Right Hand)

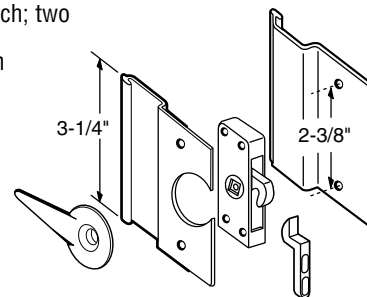
A-104 (Black - Right Hand)

A-184 (Chrome - Left Hand)

Latch and Pull (Diecast)

Contents: 1 inside and outside pull; 1 internal latch assembly; 1 thumbturn; 1 strike; installation screws.

Description: Diecast internal latch; two aluminum pulls; diecast lever; non-handed; see A-167 for latch only.



A-152 (Anodized Aluminum)

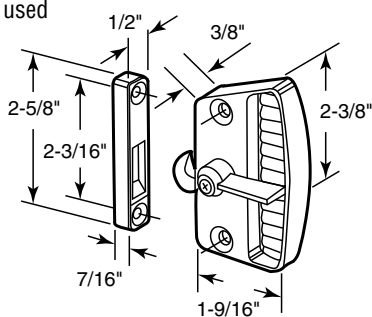
A-196 (Bronze)

A-197 (White)

Latch and Pull (Diecast)

Contents: 1 inside pull; 1 strike; installation screws.

Description: Diecast inside latch and strike; non-handed; surface mount; used by many manufacturers.



A-105 (Chrome)

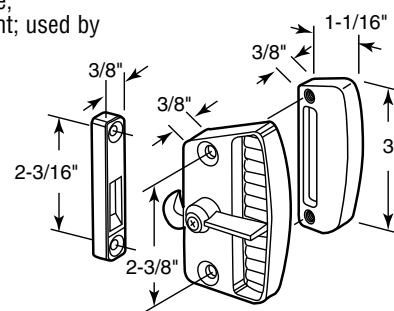
A-155 (Black)

A-199 (White)

Latch and Pull (Diecast)

Contents: 1 inside and outside pull; 1 strike; installation screws.

Description: Chrome; diecast inside latch and outside pull with strike; non-handed; surface mount; used by many manufacturers.

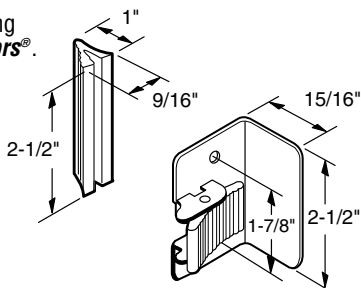


A-181 (Chrome)

Latch and Pull

Contents: 1 inside and outside pull; installation screws.

Description: Anodized inside latch; extruded anodized outside pull; non-handed; surface mount; spring loaded latch; fits on **Fullview Doors®**.

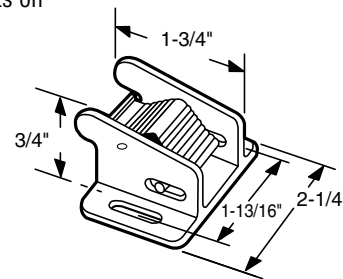


A-113

Latch

Contents: 1 inside latch; installation screws.

Description: Non-handed; spring activated; no strike required; fits on **Premier®** screen doors.



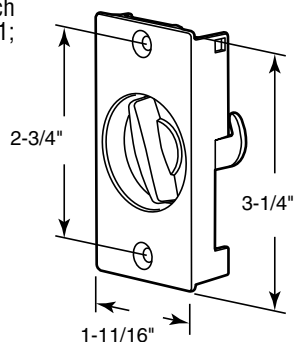
Call For Availability

A-118

Latch

Contents: 1 latch.

Description: Narrow screen door latch fits **Andersen®** doors, 1968 thru 1981; stone color.

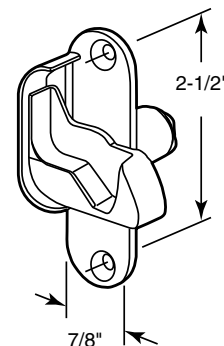


A-229 (Stone)

Latch (Diecast)

Contents: 1 latch assembly.

Description: Screen door latch fits **Andersen®** sliding screen doors; diecast zinc material; painted finish.

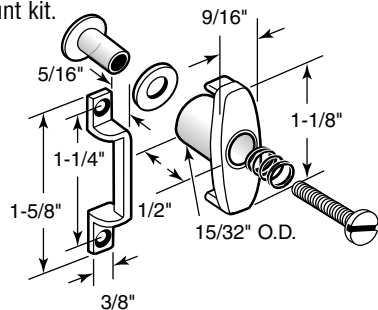


A-248 (Stone)

Latch Kit (Diecast)

Contents: 1 latch, 1 strike, 1 attachment screw and spring, 1 washer, 1 binder post nut, installation screws.

Description: Zinc plated diecast latch and strike; non-handed, surface mount kit.

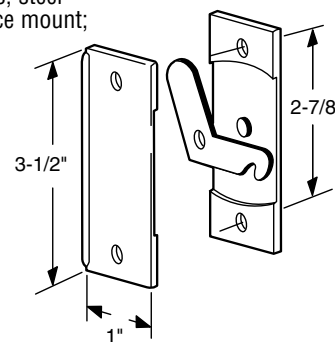


A-164

Latch and Pull (Plastic)

Contents: 1 inside and outside pull; 1 steel lever latch; installation screws.

Description: Black plastic pulls; steel lever latch; non-handed; surface mount; fits on **Keller®** doors.

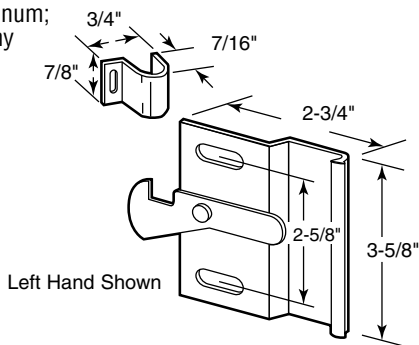


A-122 (Black)

Latch and Pull (Anodized Aluminum)

Contents: 1 inside pull; 1 strike; installation screws.

Description: Anodized aluminum; surface-mount; used by many manufacturers.



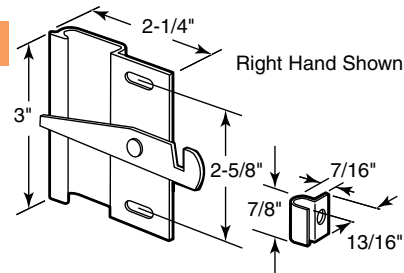
A-100 (Left Hand)
A-101 (Right Hand)

Latch and Pull (Anodized Aluminum)

Contents: 1 inside pull; 1 strike; installation screws.

Description: Surface-mount; used by many manufacturers.

Call For Availability



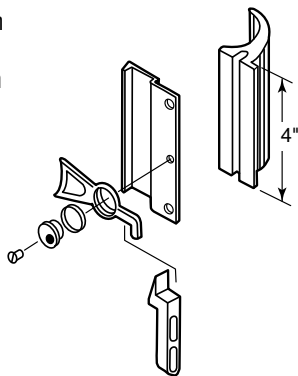
A-102 (Left Hand)
A-182 (Right Hand)

Latch and Pull

Contents: 1 inside and outside pull; 1 lock assembly; 1 strike; installation screws.

Description: Non-handed; aluminum pulls; diecast lock; universal application; surface mount.

Call For Availability

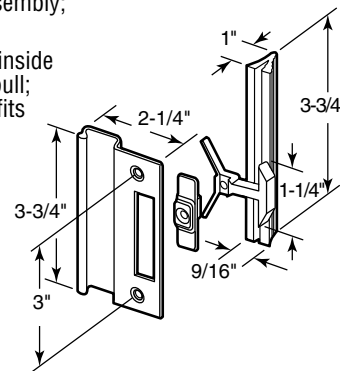


A-110

Latch and Pull (Aluminum)

Contents: 1 inside pull; 1 outside pull; 1 two-piece white plastic latch assembly; installation screws.

Description: Anodized aluminum inside pull; extruded aluminum outside pull; non-handed; mortise installation; fits on **Trimview®** screen doors.

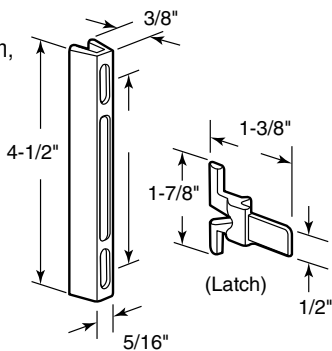


A-107 (Clear Anodized)

Latch and Strike

Contents: 1 latch; 1 strike; installation screws.

Description: Plastic latch; aluminum strike; non-handed, mortise installation, replaces aluminum latch, fits on **International®** doors.



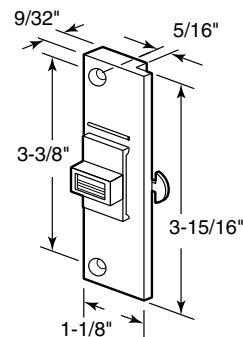
A-140 (Aluminum)
A-185 (Bronze)
A-190 (Latch Only)

Latch (Plastic)

Contents: 1 inside pull; 1 strike; installation screws.

Description: Black plastic assembly; steel hook; non-handed; mortise installation; fits on **Peachtree-Citation II®** screen doors.

Call For Availability

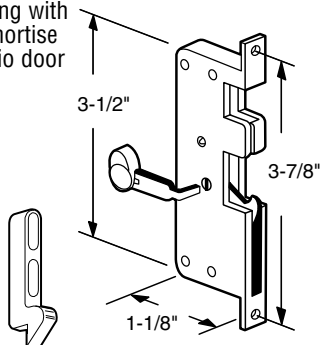


A-175 (Black)

Latch (Plastic)

Contents: 1 latch housing; 1 latch lever; 1 strike; installation screws.

Description: Plastic latch housing with steel hook; non-handed latch; mortise installation; used by several patio door manufacturers.

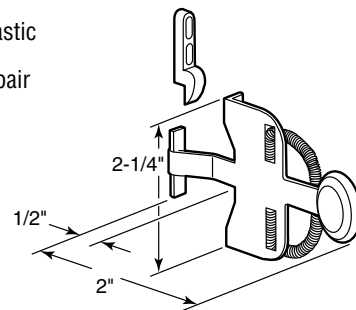


A-121

Latch

Contents: 1 latch; 1 finger tab; 1 strike; installation screws.

Description: Stamped steel; black plastic finger tab; non-handed; mortise installation; spring activated latch; repair part for A-139 handle.

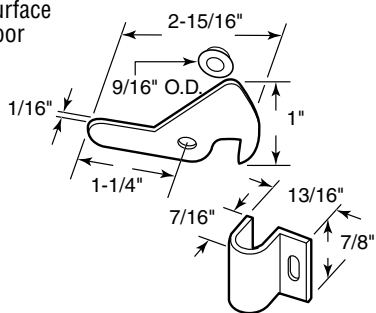


A-119

Latch (Aluminum)

Contents: 1 lever latch and strike; 1 bushing; installation screws.

Description: Aluminum lever and strike; plastic bushing; non-handed; surface mount; used by several patio door manufacturers.

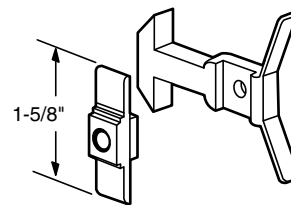


A-123 (Aluminum)

Latch (Plastic)

Contents: 1 latch and slide button; installation screws.

Description: Replacement latch for A-107 sliding screen door handle assembly.

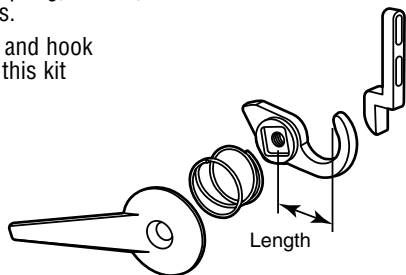


A-124 (White)

Latch Kit (Diecast)

Contents: 1 latch lever; 1 spring; 1 hook; 1 strike; installation screws.

Description: Diecast lever and hook latch; mortise installation; this kit contains the A-130 lever.



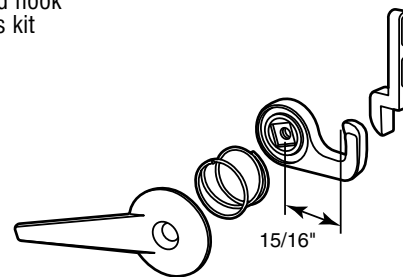
A-135 (Medium Hook - 15/16")

A-136 (Short Hook - 7/8")

Latch Kit (Diecast)

Contents: 1 latch lever; 1 spring; 1 hook; 1 strike; installation screws.

Description: Diecast lever and hook latch; mortise installation; this kit contains the A-130 lever.

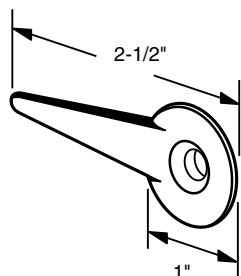


A-137

Latch Lever (Diecast)

Contents: 1 latch lever, installation screw.

Description: Diecast; used to operate many styles of screen door latches.



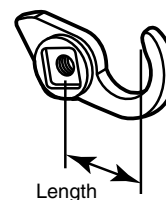
A-130 (No Stop Pin)

A-188 (With Stop Pin)

Replacement Hook (Diecast)

Contents: 2 hooks.

Description: Diecast hook.



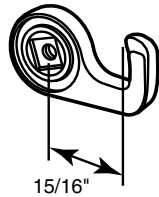
A-133 (Medium Hook - 15/16")

A-134 (Short Hook - 7/8")

Replacement Hook (Diecast)

Contents: 2 hooks.

Description: Diecast hook.

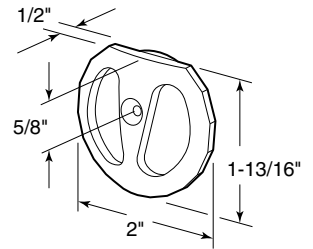


A-132

Latch (Plastic)

Contents: 1 latch.

Description: Screen door latch fits *Andersen*® two panel doors, 1982 thru 1989; stone color.

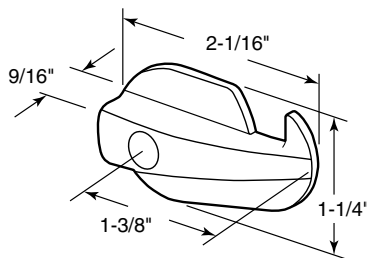


A-234 (Stone)

Latch (Plastic)

Contents: 1 latch.

Description: Three panel "universal" latch fits *Andersen*® screen doors.



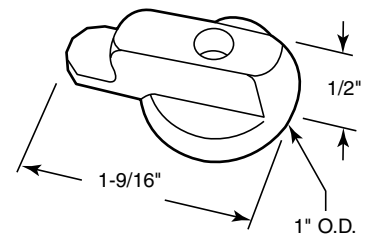
A-232 (White)

A-233 (Stone)

Latch (Plastic)

Contents: 1 latch.

Description: Two panel *Andersen*® Frenchwood hinged screen door lock.



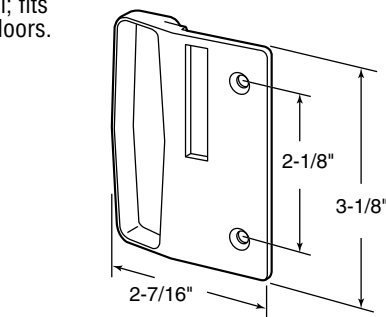
A-230 (White)

A-231 (Stone)

Pull (Plastic)

Contents: 1 inside pull.

Description: Plastic inside pull; fits *Andersen*® two panel screen doors.

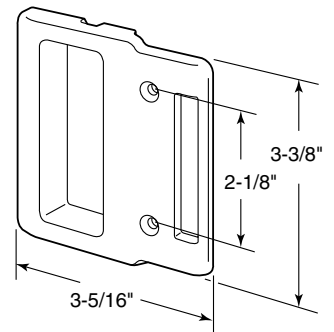


A-216 (Stone)

Pull (Plastic)

Contents: 1 inside pull.

Description: Plastic inside pull; fits *Andersen*® two and three panel screen doors.



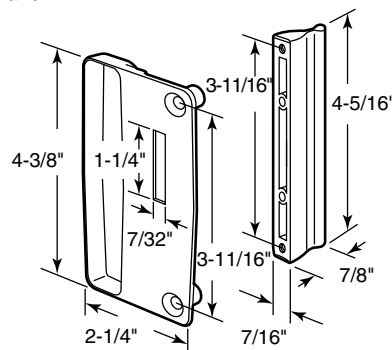
A-208 (White)

A-209 (Stone)

Pull (Plastic)

Contents: 1 inside and outside pull.

Description: White plastic inside and outside screen door pulls; fits *Andersen*® screen doors.

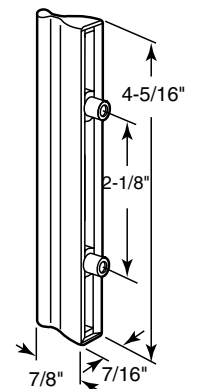


A-207 (White)

Pull (Plastic)

Contents: 1 outside pull; installation screws.

Description: Plastic outside pull; used on *Andersen*® screen doors.



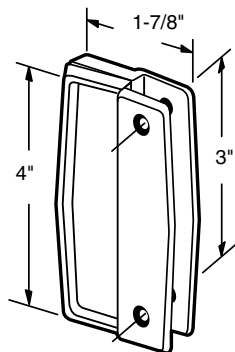
A-210 (White)

A-211 (Stone)

Pull (Plastic)

Contents: 1 inside and outside pull; installation screws.

Description: Black plastic pulls; non-handed; surface mount; plastic assembly.

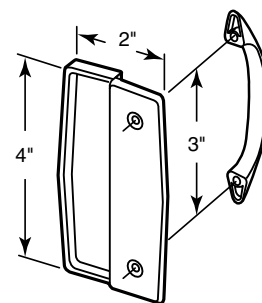


A-111 (Black)

Pull (Plastic)

Contents: 1 inside pull; 1 outside pull; installation screws.

Description: Black plastic inside pull; chrome plated diecast outside pull; non-handed, surface mount.

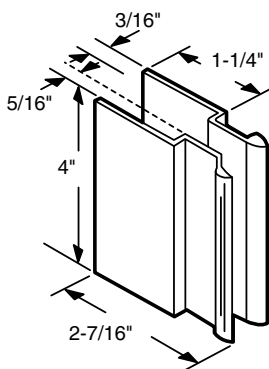


A-112

Pull (Aluminum)

Contents: 1 inside and outside pull; installation screws.

Description: 2 anodized aluminum pulls; one with a 3/16" deep offset, and the other with a 5/16" deep offset; pulls do not come pre-drilled.

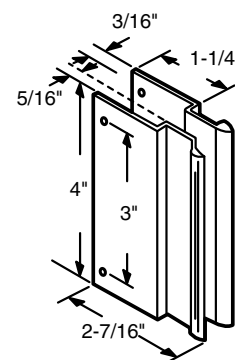


A-153 (Anodized Aluminum)

Pull (Aluminum)

Contents: 1 inside and outside pull; installation screws.

Description: 2 anodized aluminum pulls; one with a 3/16" deep offset, and the other with a 5/16" deep offset; pulls are pre-drilled and come supplied with binder post fasteners.

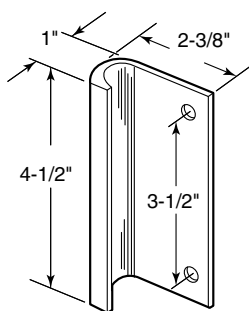


A-183 (Anodized Aluminum)

Pull (Aluminum)

Contents: 1 pull; installation screws.

Description: Anodized aluminum heavy duty pull to be used as inside or outside pull; surface mount; ideal secondary pull for children.

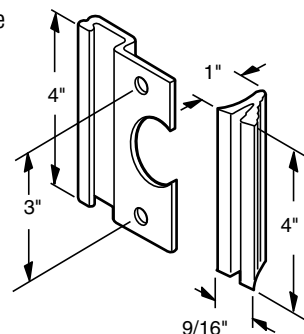


A-117 (Anodized Aluminum)

Pull (Aluminum)

Contents: 1 inside and outside pull; installation screws.

Description: Anodized aluminum inside and outside pulls; non-handed; surface mount; designed to be used with latch assemblies A-135 and A-137.

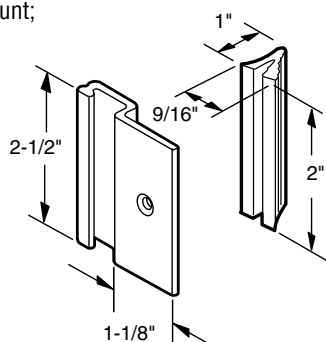


A-115 (Anodized Aluminum)

Pull (Aluminum)

Contents: 1 inside and outside pull; installation screws.

Description: Non-handed; surface mount; no latch required; ideal for secondary pull; used by many manufacturers.

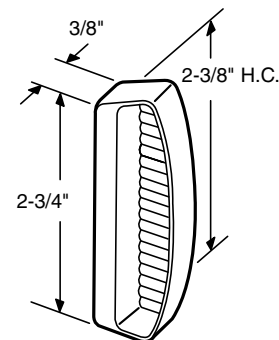


A-114 (Anodized Aluminum)

Pull (Diecast)

Contents: 1 outside pull; installation screws.

Description: Used by many manufacturers; use with A-105 or can be used as individual outside pull.



A-106 (Chrome)
A-191 (Black)

Call For Availability