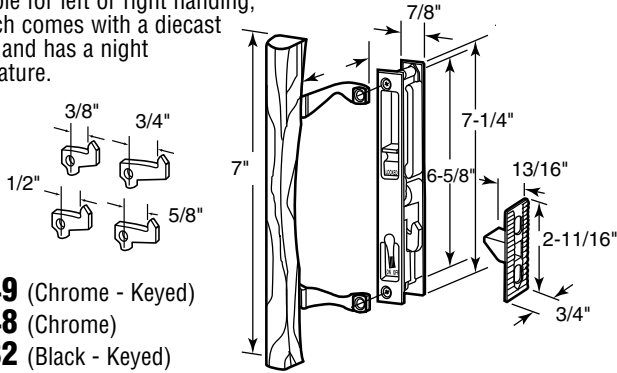


Handle Set (Standard hook)

Contents: 1 inside latch with deluxe wood pull; 1 outside pull; 1 keeper; 4 hook assortment; 1 locking cylinder; installation fasteners.

Description: Diecast flush latch assembly with wood pull handle, fits most popular door style cutouts; latch comes with a set of four different sized hooks, which are reversible for left or right handing; this latch comes with a diecast keeper, and has a night latch feature.

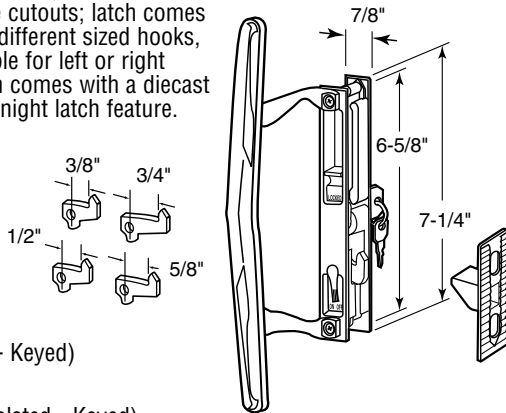


- C-1149** (Chrome - Keyed)
- C-1148** (Chrome)
- C-1032** (Black - Keyed)

Handle Set (Standard hook)

Contents: 1 inside latch with deluxe pull; 1 outside pull; 1 keeper; 4 hook assortment; 1 locking cylinder; installation fasteners.

Description: Diecast flush latch assembly with diecast pull handle, fits most popular door style cutouts; latch comes with a set of four different sized hooks, which are reversible for left or right handing; this latch comes with a diecast keeper, and has a night latch feature.

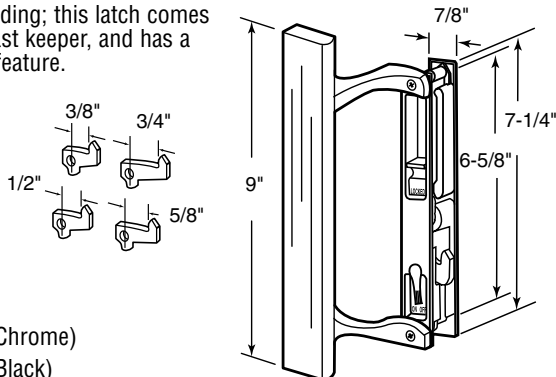


- C-1197** (White - Keyed)
- C-1322** (White)
- C-1159** (Brass plated - Keyed)

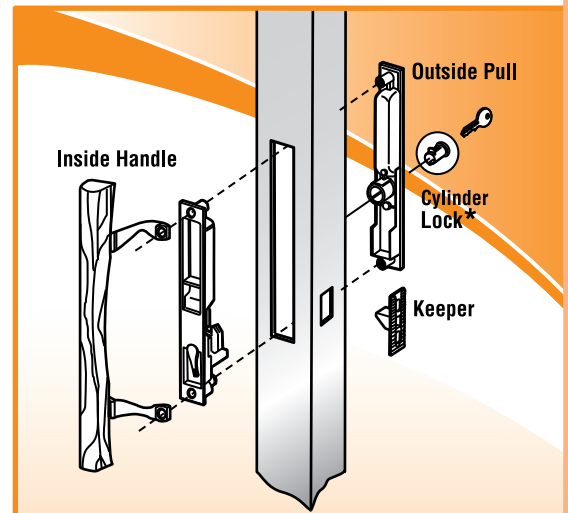
Handle Set (Standard hook)

Contents: 1 inside latch with wood pull; 1 outside pull; 1 keeper; installation fasteners; 4 hook assortment.

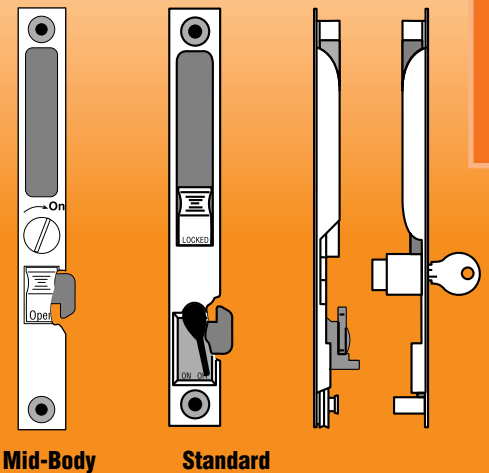
Description: Diecast flush latch assembly with heavy duty wood pull handle, fits most popular door style cutouts; latch comes with a set of four different sized hooks, which are reversible for left or right handing; this latch comes with a diecast keeper, and has a night latch feature.



- C-1268** (Chrome)
- C-1269** (Black)



Hook Locations

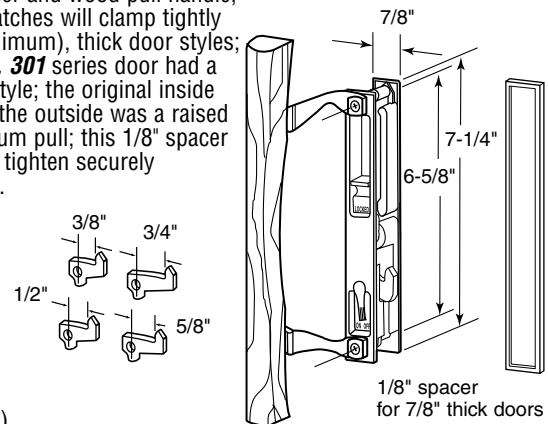


* For Key Locking, Use E-2005, E-2087 or E-2088.

Handle Set (Standard hook)

Contents: 1 inside latch and pull; 1 outside pull; 1 wood handle; 1 spacer; 1 keeper; 4 hook assortment; installation fasteners.

Description: Diecast flush latch assembly with plastic spacer and wood pull handle; common flush latches will clamp tightly to one-inch (minimum), thick door styles; the **Croft® Alum. 301** series door had a 7/8" thick door style; the original inside latch was flush; the outside was a raised extruded aluminum pull; this 1/8" spacer will let this latch tighten securely to the door style.

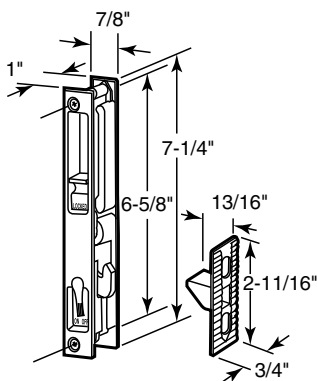
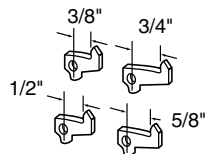


- C-1130** (Black)

Handle Set (Standard hook)

Contents: 1 inside latch; 1 outside pull; 1 locking cylinder; 4 hook assortment; 1 keeper; installation fasteners.

Description: Diecast flush latch assembly fits most popular door style cutouts; latch comes with a set of four different sized hooks, which are reversible for left or right handing; this latch comes with a diecast keeper and has a night latch feature.

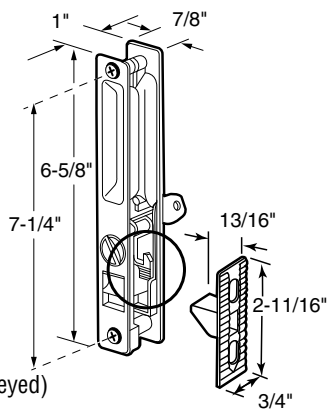
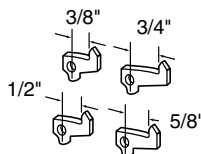


- C-1045** (Chrome)
- C-1033** (Black - Keyed)
- C-1043** (Black)
- C-1129** (White - Keyed)
- C-1226** (White)
- C-1160** (Brass - Keyed)

Handle Set (Standard hook)

Contents: 1 inside latch and pull; 1 outside pull; 1 locking cylinder; 1 keeper; installation fasteners.

Description: Diecast flush latch assembly fits most popular door style cutouts; C-1076 latch comes with a set of four different sized hooks, which are reversible for left or right handing; this latch comes with a diecast keeper and has a night latch feature.

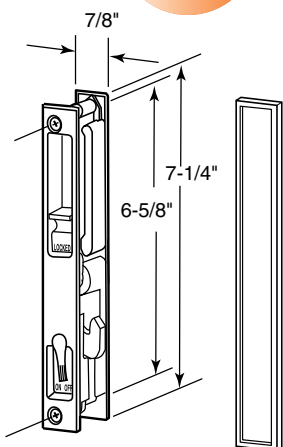
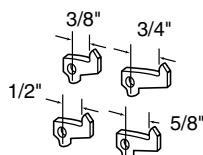


- C-1075** (Chrome - 3/8" hook only - Keyed)
- C-1215** (Chrome - 3/8" hook only)
- C-1076** (Chrome - 4 hook assortment - Keyed)

Handle Set (Standard hook)

Contents: 1 inside latch and pull; 1 outside pull; 1 spacer; 1 keeper; 4 hook assortment; installation fasteners.

Description: Diecast flush latch assembly with plastic spacer; common flush latches will clamp tightly to one-inch (minimum), thick door styles; the **Craft Alum. 301** series door had a 7/8" thick door style; the original inside latch was flush; the outside was a raised extruded aluminum pull; this 1/8" spacer will let this latch tighten securely to the door style.

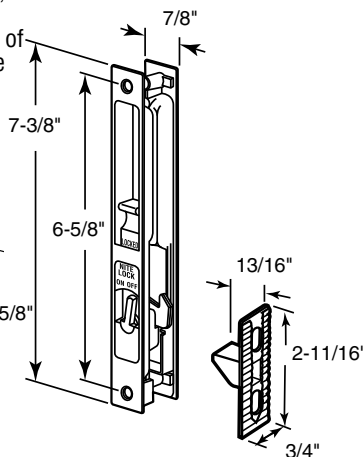
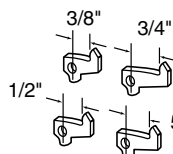


- C-1101** (Black)

Handle Set (Standard hook)

Contents: 1 inside latch and pull; 1 outside pull; 1 keeper; installation fasteners.

Description: Diecast flush latch assembly fits most popular door style cutouts; tall hook tower fits doors up to 2" thick; non-keyable: latch comes with a set of four different sized hooks, which are reversible for left or right handing; this latch comes with a diecast keeper and has a night latch feature.



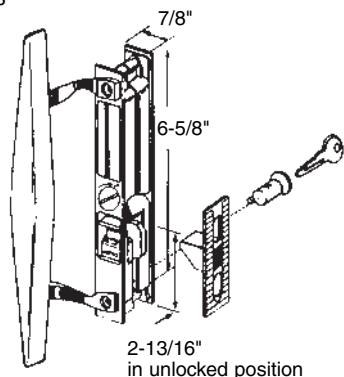
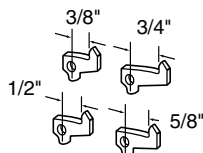
- C-1135** (Black)
- C-1325** (White)

Handle Set (Mid-body hook)

Contents: 1 inside latch and pull; 1 outside pull; 1 keeper; 1 locking cylinder; installation fasteners.

Description: Diecast flush latch assembly with wood pull handle fits most popular door style cutouts; latch comes with a set of four different sized hooks, which are reversible for left or right handing; this latch comes with a diecast keeper, and has a night latch feature.

Note: A mid-body latch has the hook pointed down, and is higher up on the body.



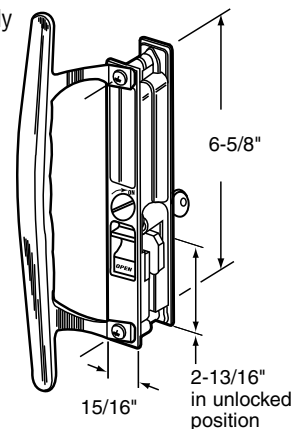
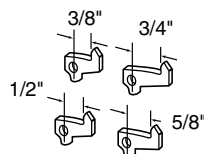
- C-1124** (Black - Keyed)

Handle Set (Mid-body hook)

Contents: 1 inside latch and pull; 1 outside pull; 1 keeper; 4 hook assortment; 1 locking cylinder; installation fasteners.

Description: Diecast flush latch assembly with diecast pull handle, fits most popular door style cutouts; latch comes with a set of four different sized hooks, which are reversible for left or right handing; this latch comes with a diecast keeper, and has a night latch feature.

Note: A mid-body latch has the hook pointed down, and is higher up on the body.



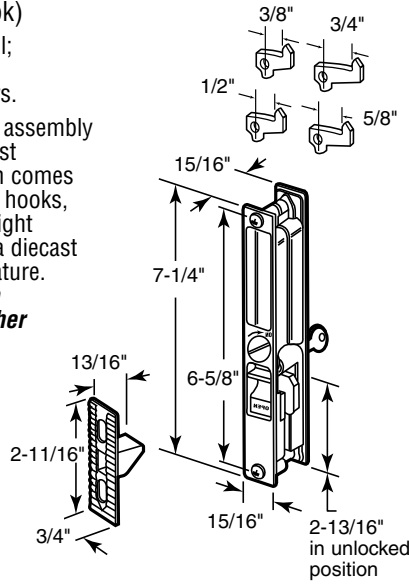
- C-1262** (Chrome - Keyed)

Handle Set (Mid-body hook)

Contents: 1 inside latch and pull; 1 outside pull; 1 keeper; 4 hook assortment; installation fasteners.

Description: Diecast flush latch assembly with diecast pull handle, fits most popular door style cutouts; latch comes with a set of four different sized hooks, which are reversible for left or right handing; this latch comes with a diecast keeper, and has a night latch feature.

Note: A mid-body latch has the hook pointed down, and is higher up on the body.



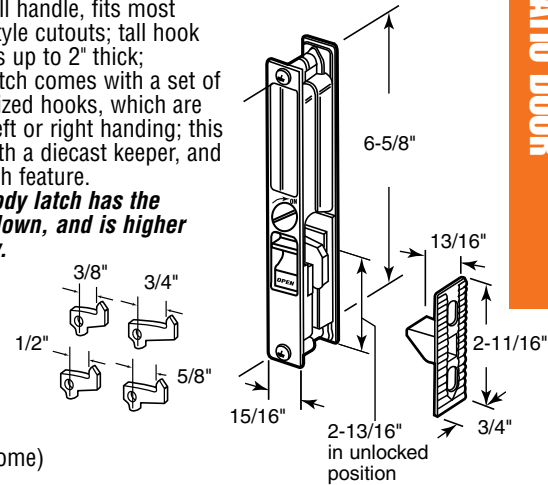
- C-1134** (Chrome - Keyed)
- C-1123** (Black - Keyed)
- C-1240** (White - Keyed)

Handle Set (Mid-body hook)

Contents: 1 inside latch and pull; 1 outside pull; 1 keeper; 4 hook assortment; installation fasteners.

Description: Diecast flush latch assembly with diecast pull handle, fits most popular door style cutouts; tall hook tower fits doors up to 2" thick; non-keyable; latch comes with a set of four different sized hooks, which are reversible for left or right handing; this latch comes with a diecast keeper, and has a night latch feature.

Note: A mid-body latch has the hook pointed down, and is higher up on the body.

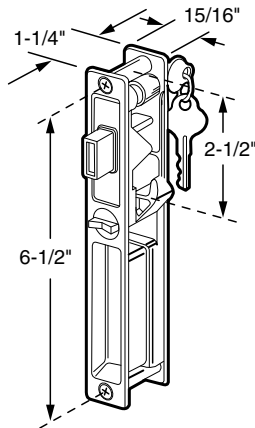


- C-1309** (Chrome)

Handle Set (Unique hook)

Contents: 1 inside latch and pull; 1 outside latch; 1 locking cylinder; installation fasteners.

Description: Diecast flush latch assembly; this latch fits *Crossly*® doors exclusively, and has a very thick diecast latch hook; operation of the handle is done by pushing in on the plastic button, also has a night latch feature.

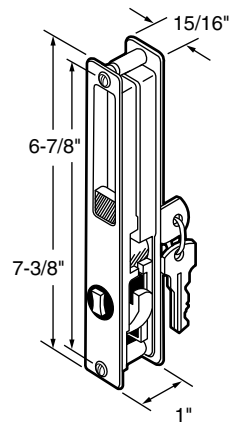


- C-1074** (Chrome - Keyed)
- C-1099** (Chrome)

Handle Set (Unique hook)

Contents: 1 inside latch and pull; 1 outside pull; 1 lock assembly; 1 locking cylinder; installation fasteners.

Description: Diecast flush latch assembly; this latch fits *Daryl Series PR 300*® doors exclusively, and has a vertically sliding heavy duty diecast hook.

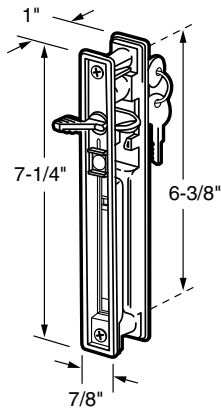


- C-1098** (Chrome - Keyed)
- C-1146** (Chrome)

Handle Set (Unique hook)

Contents: 1 inside latch and pull; 1 outside pull; 1 locking cylinder; installation fasteners.

Description: Diecast construction; fits *Miller Industries*® (Mil-Door).



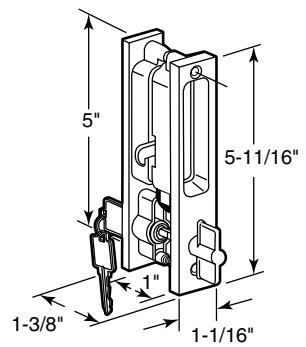
- C-1086** (Chrome - Keyed)
- C-1108** (Chrome)

Handle Set (Unique hook)

Contents: 1 inside latch and pull; 1 outside pull; 1 key lock; installation fasteners.

Description: Diecast flush latch assembly; this latch fits *Fran Meyer*® doors exclusively; handing is not reversible; includes key cylinder.

Right Hand Shown

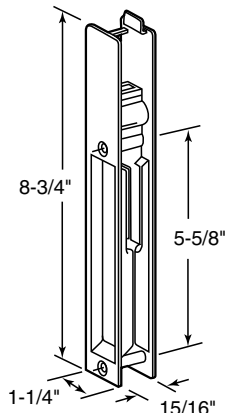


- C-1171** (Aluminum - Left hand)
- C-1172** (Aluminum - Right hand)
- C-1089** (Bronze - Left hand)
- C-1090** (Bronze - Right hand)

Handle Set (Dummy)

Contents: 1 inside pull; 1 outside pull; installation fasteners.

Description: Diecast construction; flush type dummy trim handle set; fits *Adams Rite*®.

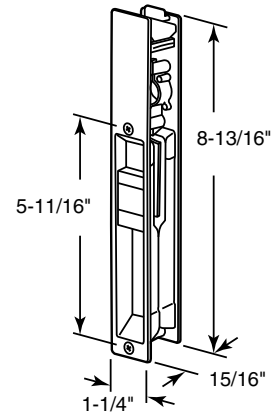


- C-1031** (Chrome)

Handle Set (Unique hook)

Contents: 1 inside pull; 1 outside pull; installation fasteners.

Description: Diecast inside latch assembly; diecast outside pull; operates E-2575 mortise lock; used by several door manufacturers.

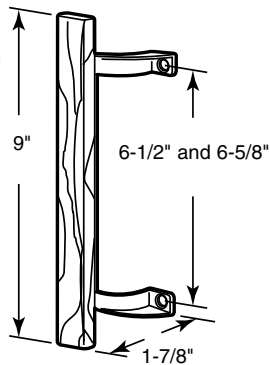


- C-1030** (Aluminum)
- C-1050** (Aluminum - Keyed)

Pull

Contents: 1 inside pull; installation fasteners.

Description: Hardwood pull handle with stained finish; mounted to a one piece diecast base; mounting holes are slotted, to fit both 6-1/2" and 6-5/8" hole centers.

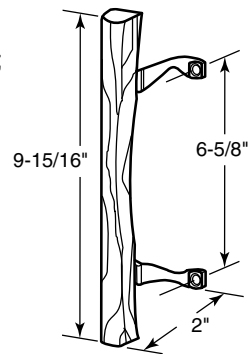


- C-1189** (Aluminum)
- C-1190** (Black)
- C-1324** (White)

Pull

Contents: 1 inside pull; installation fasteners.

Description: Hardwood pull handle with stained finish; diecast mounting brackets; used on flush handle sets with 6-5/8" hole centers.

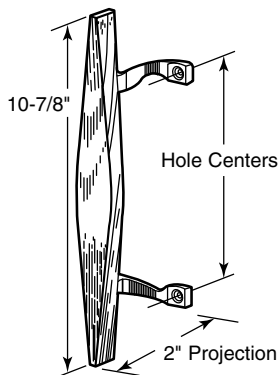


Part No.	Bracket Finish
C-1034	Chrome
C-1192	Black
C-1301	White

Pull

Contents: 1 inside pull; installation fasteners.

Description: Hardwood pull handle with stained finish; diecast mounting brackets.

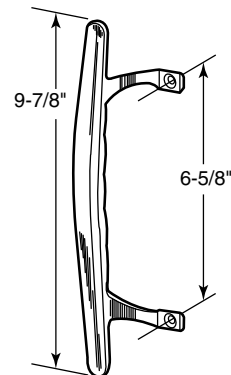


- C-1220** (Chrome - 6-3/8" Hole centers)
- C-1069** (Chrome - 6-5/8" Hole centers)

Pull

Contents: 1 inside pull; installation fasteners.

Description: Diecast pull handle; used on flush handle sets with 6-5/8" hole centers.

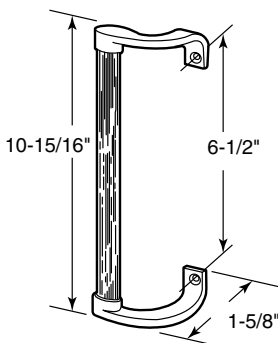


- C-1067** (Chrome)
- C-1196** (White)
- C-1161** (Brass plated)

Pull

Contents: 1 inside pull; installation fasteners.

Description: Hardwood pull handle with stained finish; diecast end cap style mounting brackets; used with C-1074 and C-1099 **Crossly**® flush handle sets.

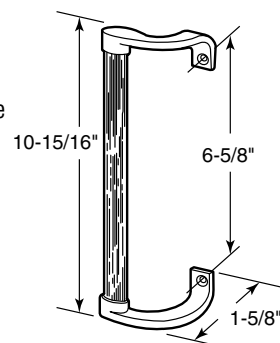


- C-1110** (Gray)
- C-1068** (Black)

Pull

Contents: 1 inside pull; installation fasteners.

Description: Hardwood pull handle with stained finish; diecast end cap style mounting brackets; used on flush handle sets with 6-5/8" hole centers.

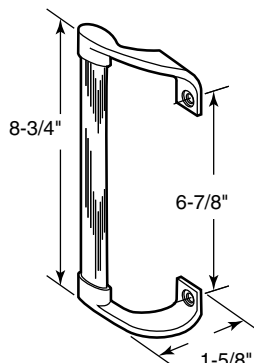


- C-1183** (Chrome)
- C-1182** (Black)

Pull

Contents: 1 inside pull; installation fasteners.

Description: Hardwood pull handle with stained finish; diecast end cap style mounting brackets; used with C-1098 and C-1146 **Daryl**® flush handle sets.

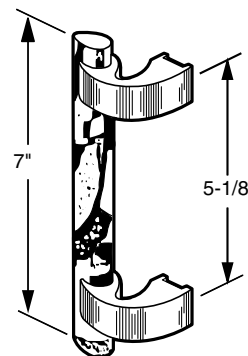


- C-1193** (Gray)
- C-1038** (Black)

Pull

Contents: 1 inside pull; installation fasteners.

Description: Universal design inside pull with clear lucite pull bar; diecast aluminum brackets on 5-1/8" hole centers.



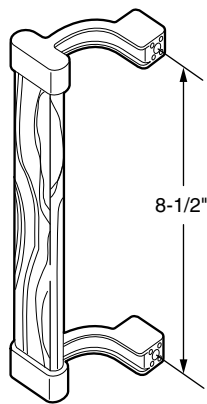
- C-1085** (Brushed chrome)

Call For Availability

Pull

Contents: 1 inside pull; installation fasteners.

Description: Hardwood pull handle with stained finish; diecast end cap style mounting brackets; this pull handle was designed exclusively for **Capitol**® brand doors.

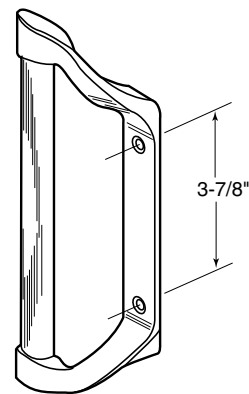


C-1166 (Black)

Pull

Contents: 1 inside pull; installation fasteners.

Description: Hardwood pull handle with stained finish; mounted to a one piece diecast base; this pull handle was designed exclusively for **Cupples**® brand doors.



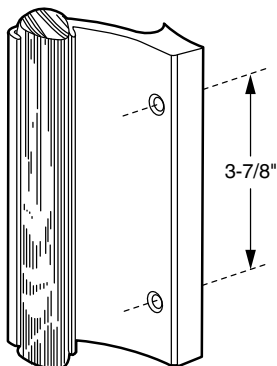
C-1047 (Gray)

PATIO DOOR

Pull

Contents: 1 inside pull; installation fasteners.

Description: Extruded aluminum pull; brushed anodized finish; wood insert; fits **Ador/Hilite**® doors.



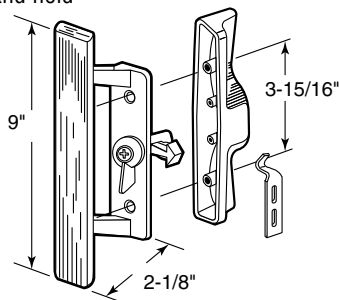
Call For Availability

C-1088 (Aluminum)

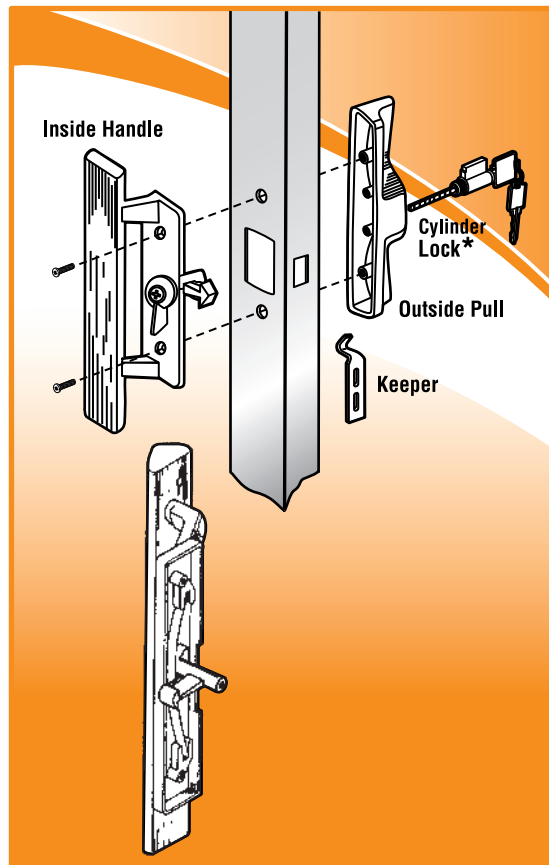
Handle Set

Contents: 1 inside pull and latch; 1 outside pull; 1 keeper; 1 locking cylinder; installation fasteners.

Description: Diecast handle and latch assembly with wood pull; thumb turn and hold open spring are easily reversible for left or right handing; comes with stamped steel keeper; night latch feature.



- C-1018** (Gray)
- C-1064** (Gray - Keyed)
- C-1107** (Black)
- C-1132** (Black - Keyed)
- C-1195** (White)
- C-1200** (White - Keyed)



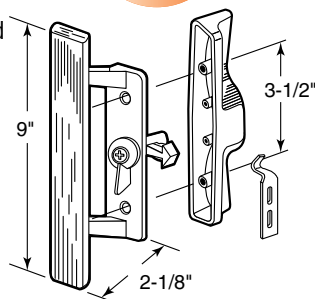
The following pages offer a comprehensive selection of:
INTERNAL LOCK HANDLE SETS

* For Key Locking, Use E-2000.

Handle Set

Contents: 1 inside pull and latch; 1 outside pull; 1 keeper; 1 locking cylinder; installation fasteners.

Description: Diecast handle and latch assembly with wood pull; thumb turn and hold open spring are easily reversible for left or right handing; comes with a stamped steel keeper; night latch feature; fits **Acorn**® brand doors.

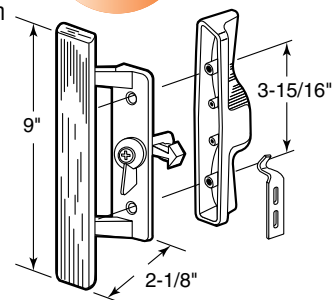


- C-1242** (Gray)
- C-1095** (Black)
- C-1241** (Black - Keyed)
- C-1194** (White)

Handle Set

Contents: 1 inside pull and latch; 1 outside pull; 1 keeper; 1 locking cylinder; installation fasteners.

Description: Diecast handle and latch assembly with wood pull; fits 1-3/4" thick doors; thumb turn and hold open spring are easily reversible for left or right handing; comes with stamped steel keeper; night latch feature.

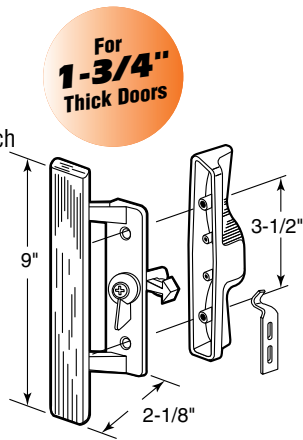


- C-1258** (Gray)
- C-1259** (Black)

Handle Set

Contents: 1 inside pull and latch; 1 outside pull; 1 keeper; 1 locking cylinder; installation fasteners.

Description: Diecast handle and latch assembly with wood pull; fits 1-3/4" thick doors; thumb turn and hold open spring are easily reversible for left or right handing; comes with stamped steel keeper; night latch feature; fits **Acorn**® brand doors.

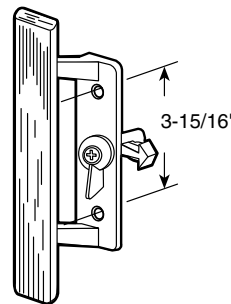


C-1260 (Black)

Pull

Contents: 1 inside pull; installation fasteners.

Description: Diecast handle and latch assembly with wood pull; thumb turn and hold open spring are easily reversible for left or right handing; comes with stamped steel keeper; night latch feature.

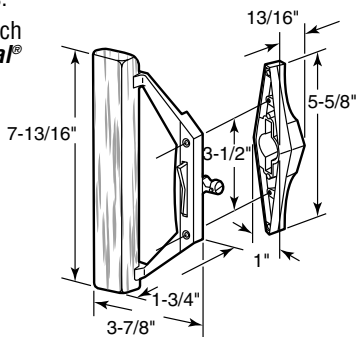


C-1239 (Black)

Handle Set

Contents: 1 inside pull and latch; 1 outside pull; installation fasteners.

Description: Diecast handle and latch assembly with wood pull; fits **Burval**® and **Trimview**® doors.

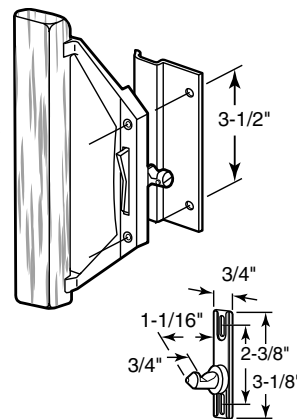


C-1025 (Gray)

Handle Set

Contents: 1 inside pull and latch; 1 outside pull; 1 keeper; installation fasteners.

Description: Diecast inside pull with wood handle; extruded aluminum outside pull; fits **Trimview**® and other manufacturers.

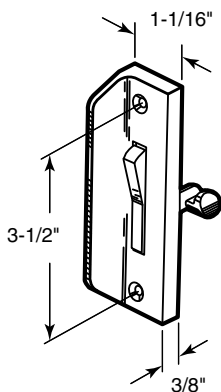


C-1186 (Aluminum)

Latch and Pull

Contents: 1 latch / pull; 1 set of installation fasteners.

Description: Fits **Trimview**® doors; diecast aluminum housing.

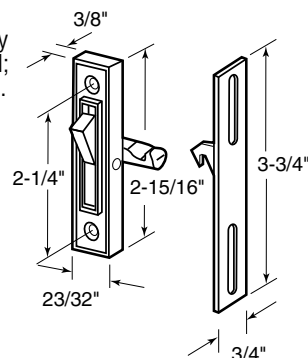


C-1044 (Aluminum)

Latch

Contents: 1 latch; 1 keeper; 1 set of installation fasteners.

Description: For sliding doors where key control from outside will not be required; plastic escutcheon with zinc diecast bolt.

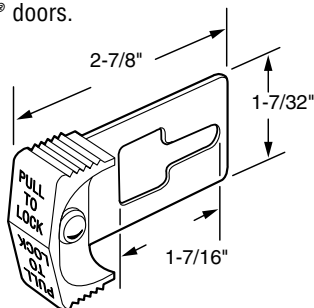


C-1053 (Black)

Locking Bar

Contents: 1 lock bar.

Description: Stamped steel bar with plastic finger pull; fits on **Capitol**® doors.

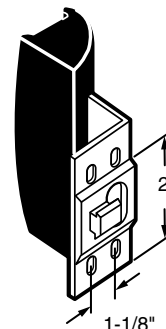


C-1167

Pull

Contents: 1 pull.

Description: Diecast base with black plastic finger pull; fits on **Capitol**® doors.

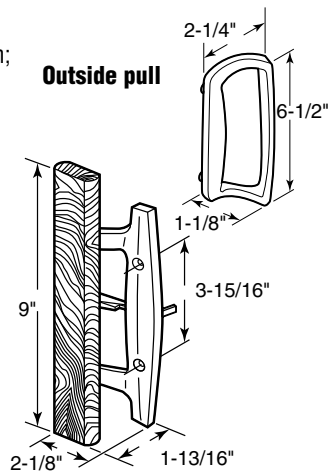


C-1165

Handle Set

Contents: 1 inside pull with thumb latch; 1 outside pull; installation fasteners.

Description: Diecast inside latch with wood pull; diecast outside pull; diecast and stamped steel thumb turn; for use with E-2008, E-2009, E-2014 & E-2111 mortise latches; use E-2576 latch lever for 2" thick doors; use E-2144 to key lock; non-handed; used by several door manufacturers.

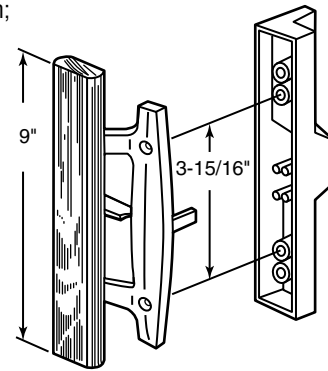


- C-1127** (Black)
- C-1131** (Black - With outside pull)
- C-1208** (White)
- C-1204** (White - With outside pull)

Handle Set

Contents: 1 inside pull with thumb latch; 1 outside pull; installation fasteners.

Description: Diecast inside latch with wood pull; diecast outside pull; diecast and stamped steel thumb turn; for use with E-2008, E-2009, E-2014 & E-2111 mortise latches; use E-2576 latch lever for 2" thick doors; use E-2144 to key lock; non-handed; used by several door manufacturers.

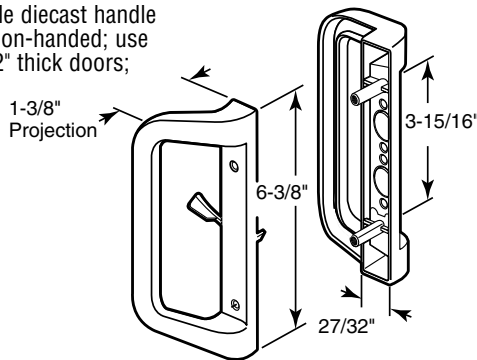


- C-1313** (Black)
- C-1314** (Black - keyed)
- C-1315** (White)
- C-1316** (White - keyed)

Handle Set

Contents: 1 inside pull; 1 thumb latch; 1 outside pull; installation fasteners.

Description: Low profile diecast handle set for mortise locks; non-handed; use E-2576 latch lever for 2" thick doors; used by several door manufacturers.

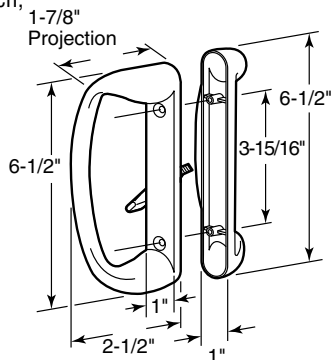


- C-1177** (White)

Handle Set

Contents: 1 inside pull and thumb latch; 1 outside pull; installation fasteners.

Description: Diecast inside latch assembly; diecast outside pull handle; thumb turn; for use with E-2008, E-2009, E-2014 & E-2111; use E-2145 to key lock; use E-2576 latch lever for 2" thick doors; used by several door manufacturers.

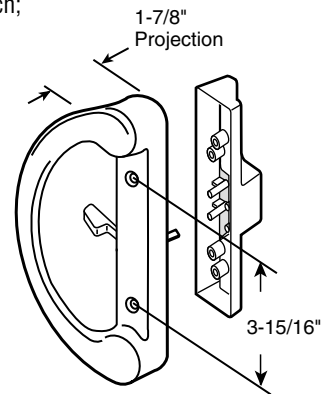


- C-1176** (White)
- C-1174** (Brass plated)
- C-1305** (Satin nickel)
- C-1306** (Classic bronze)

Handle Set

Contents: 1 inside pull with thumb latch; 1 outside pull; installation fasteners.

Description: Heavy duty diecast inside latch assembly; diecast outside pull handle; thumb turn; for use with E-2008, E-2009, E-2014 & E-2111 mortise latches; use E-2000 to key lock; non-handed; used by several door manufacturers.

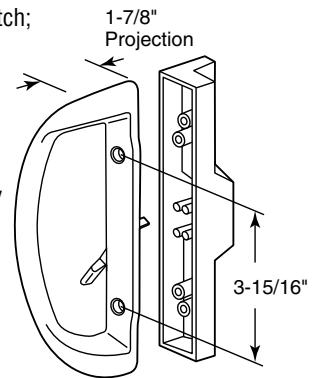


- C-1224** (Black)
- C-1225** (White)

Handle Set

Contents: 1 inside pull and thumb latch; 1 outside pull; installation fasteners.

Description: Diecast inside latch assembly; diecast outside pull handle; thumb turn; for use with E-2008, E-2009, E-2014 & E-2111; use E-2145 to key lock; use E-2576 latch lever for 2" thick doors; used by several door manufacturers.

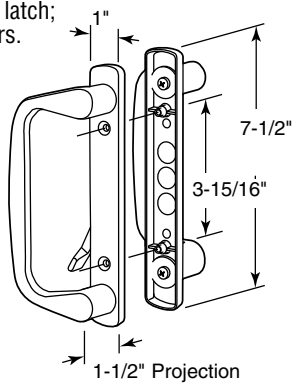


- C-1267** (Almond)

Handle Set

Contents: 1 inside pull and thumb latch; 1 outside pull; installation fasteners.

Description: Diecast inside latch assembly; diecast outside pull handle; thumb turn; for use with E-2008, E-2009, E-2014 & E-2111; use E-2145 to key lock; use E-2576 latch lever for 2" thick doors; used by several door manufacturers.

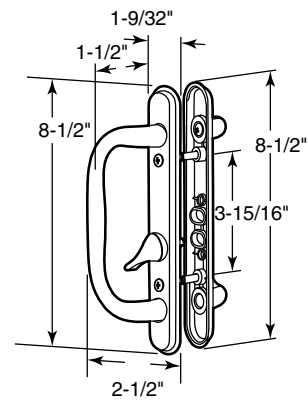


C-1178 (White)

Handle Set

Contents: 1 inside pull and thumb latch; 1 outside pull; installation fasteners.

Description: Diecast inside and outside pull set; fits most mortise lock systems; non-handed; painted finish; for key lock use E-2193 thru E-2196.

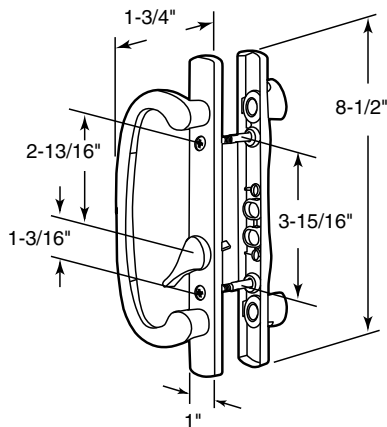


C-1285 (Bronze)
C-1284 (White)
C-1286 (Satin nickel)
C-1287 (Brass plated)

Handle Set

Contents: 1 inside pull and thumb latch; 1 outside pull; installation fasteners.

Description: Diecast inside and outside pull set; fits most mortise lock systems; non-handed; painted finish; for key lock use E-2193 thru E-2196.

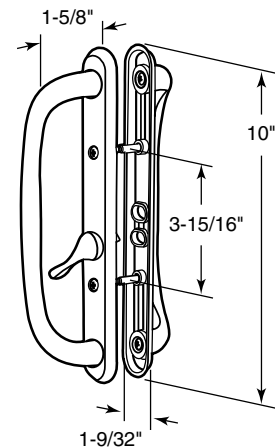


C-1281 (Bronze - offset thumbturn)
C-1318 (Bronze - centered thumbturn)
C-1280 (White - offset thumbturn)
C-1317 (White - centered thumbturn)
C-1282 (Satin nickel - offset thumbturn)
C-1319 (Satin nickel - centered thumbturn)
C-1283 (Brass plated - offset thumbturn)
C-1320 (Brass plated - centered thumbturn)

Handle Set

Contents: 1 inside pull and thumb latch; 1 outside pull; 1 locking cylinder; installation fasteners.

Description: Designer patio door handle fits most all mortise style locks using 3-15/16" hole centers; solid cast pull, fluted cast base.

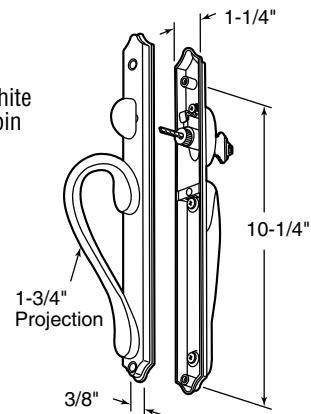


C-1289 (White - Keyed)
C-1288 (White)

Handle Set

Contents: 1 inside pull; 1 outside pull; 1 key cylinder; installation fasteners.

Description: Diecast reversible pull; white powder coated finish; diecast base; 5 pin tumbler key cylinder; works with any mortise lock system.

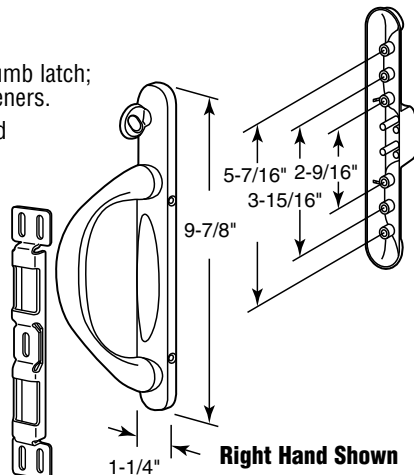


C-1264

Handle Set

Contents: 1 inside pull and thumb latch; 1 outside pull; installation fasteners.

Description: Diecast inside and outside pull set; painted finish; use with E-2571 mortise lock.

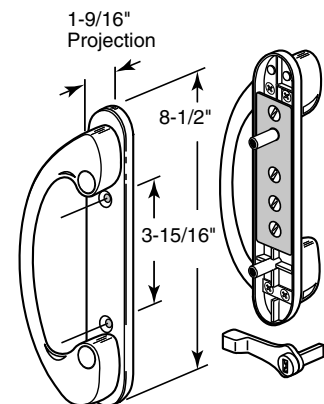


C-1307 (White - Left hand)
C-1308 (White - Right hand)

Handle Set

Contents: 1 inside pull; 1 thumb latch; 1 outside pull; installation fasteners.

Description: Diecast handle set for mortise locks; internal design allows placement of key cylinder away from handle set pull area; adapts to most mortise lock locations.



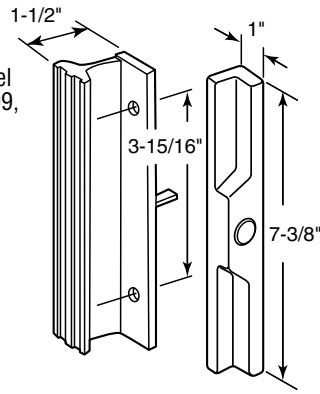
C-1179 (White)

Call For Availability

Handle Set

Contents: 1 inside pull; 1 outside pull; 1 thumb latch; installation fasteners.

Description: Extruded aluminum inside latch; diecast outside pull; stamped steel thumb turn; for use with E-2008, E-2009, E-2014 & E-2111 mortise latches, non-handed; used by several door manufacturers.

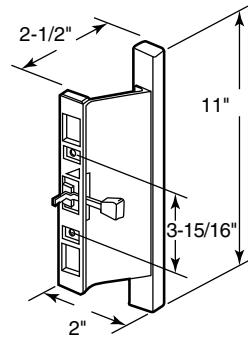


- C-1058** (Black)
- C-1111** (White)
- C-1112** (Almond)

Handle Set

Contents: 1 inside pull and 1 outside pull; 1 thumb latch; installation fasteners.

Description: Hardwood pull with stained finish; extruded aluminum high profile inside latch; diecast outside pull; stamped steel thumb turn; for use with E-2008, E-2009, E-2014 & E-2111 mortise latches, non-handed; used by several door manufacturers.

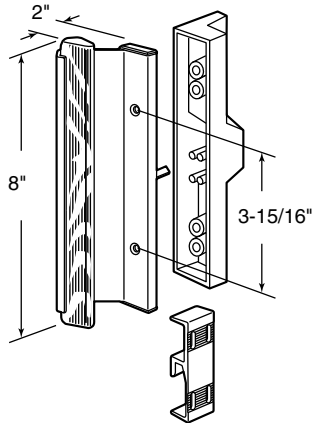


- C-1019** (Aluminum)
- C-1091** (Black)
- C-1173** (Bronze)
- C-1210** (White)

Handle Set

Contents: 1 inside pull; 1 outside pull; 1 thumb latch; installation fasteners.

Description: Extruded aluminum inside latch with wood insert; plastic outside pull with stamped steel thumb turn; includes keeper; for use with E-2008, E-2009, E-2014 & E-2111 mortise latches, non-handed; used by several door manufacturers.

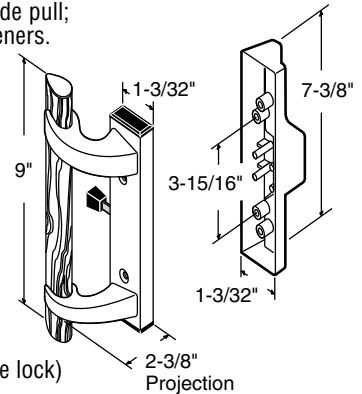


- C-1261** (White)

Handle Set

Contents: 1 inside pull; 1 outside pull; 1 thumb latch; installation fasteners.

Description: Extruded aluminum inside latch with wood pull; diecast outside pull; stamped steel thumb turn; for use with E-2008, E-2009, E-2014 & E-2111 mortise latches, non-handed; used by several door manufacturers.

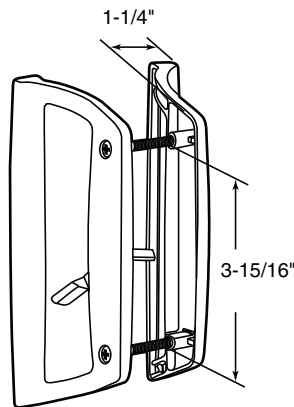


- C-1219** (White - With mortise lock)
- C-1128** (White)

Handle Set

Contents: 1 inside pull; 1 outside pull; 1 thumb latch; installation fasteners.

Description: Diecast inside and outside pull handles; painted finish; fits standard mortise style locks.



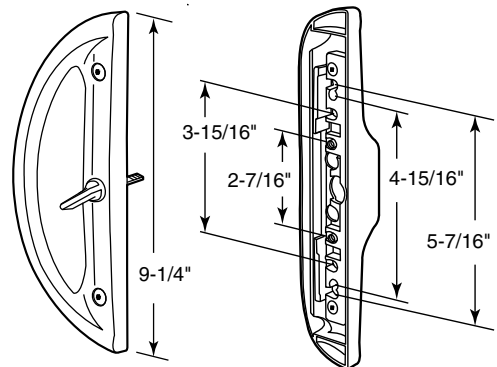
- C-1278** (Black)
- C-1279** (White)

Handle Set

Contents: 1 inside pull; 1 outside pull; 1 thumb latch; installation fasteners.

Description: High strength plastic inside and outside pull handles with diecast base plates; thumb turn; base plates have multiple hole center configurations; 2-7/16", 3-15/16", 4-15/16" & 5-7/16"; base is fastened to door styles first then the pull handles are attached; for use with E-2008, E-2009, E-2014 & E-2111 mortise latches; used by several door manufacturers.

Call For Availability



- C-1298** (Bronze)
- C-1299** (White)

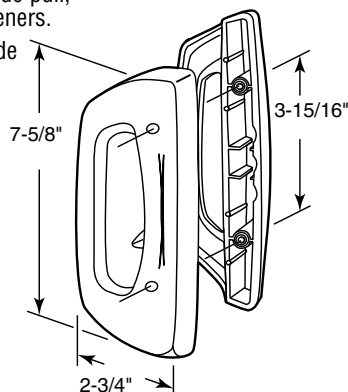
Handle Set

Contents: 1 inside pull; 1 outside pull; 1 thumb latch; installation fasteners.

Description: White plastic inside and outside pull; plastic thumbturn with steel insert; used in Canada.



Used primarily in Canada

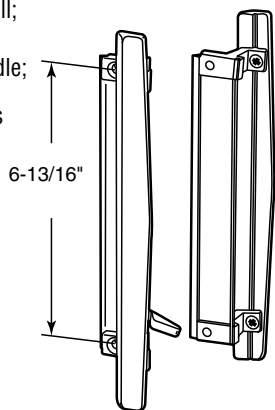


- C-1303** (White)

Handle Set

Contents: 1 inside pull; 1 outside pull; 1 thumb latch; installation fasteners.

Description: Diecast inside pull handle; diecast outside pull handle; diecast thumbturn with steel latch insert; fits *Pella*[®].

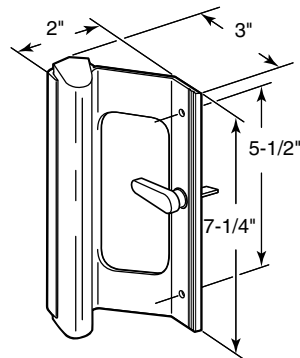


- C-1291** (White)
- C-1290** (Copperite)
- C-1292** (Champagne)

Handle

Contents: 1 inside pull; 1 thumb lock; installation fasteners.

Description: Extruded aluminum handle assembly with wood insert; no outside pull; use with E-2008, E-2009, E-2014 & E-2111 mortise latches; non-handed; used by several door manufacturers.

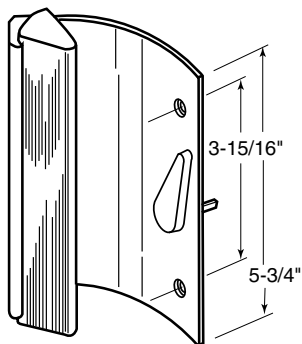


- C-1155** (Aluminum)
- C-1184** (Bronze)

Handle

Contents: 1 inside pull; 1 thumb latch; installation fasteners.

Description: Extruded aluminum inside pull with wood handle; diecast thumb turn and latch activator.



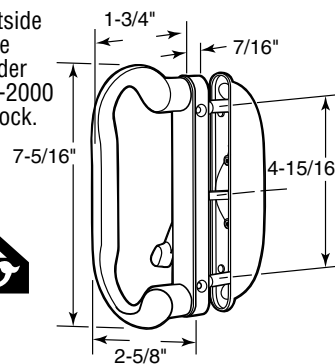
Call For Availability

- C-1040** (Aluminum)
- C-1042** (Bronze)

Handle Set

Contents: 1 inside pull; 1 outside pull; 1 thumb latch; installation fasteners.

Description: Diecast inside and outside pulls with thumb lever; 7/32" square drive; reversible handle; white powder coated finish; mortise style, uses E-2000 to key lock; fits E-2192 dual point lock.

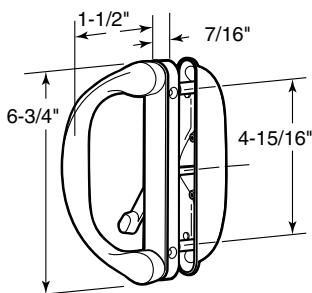


- C-1277** (White)

Handle Set

Contents: 1 inside pull; 1 outside pull; 1 thumb latch; installation fasteners.

Description: Diecast inside and outside pulls with thumb lever; 7/32" square drive; reversible handle; white powder coated finish; mortise style, uses E-2000 to key lock; fits E-2192 dual point lock.

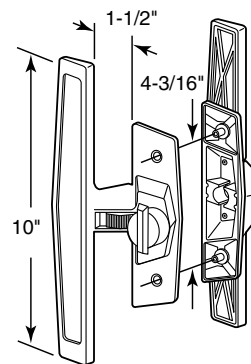


- C-1275** (White)

Handle Set

Contents: 1 inside pull; 1 outside pull; 1 thumb latch; installation fasteners.

Description: Diecast inside latch assembly; diecast outside pull handle; with thumb turn and night latch feature; use with E-2008, E-2009, E-2014 & E-2111 mortise latches; non-handed; used by several door manufacturers.



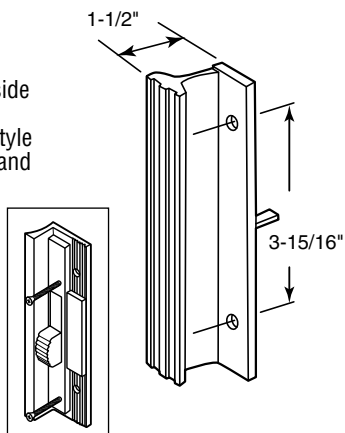
- C-1205** (Bronze)

Inside Pull and Actuator

Contents: 1 inside pull; 1 set of installation fasteners.

Description: Extruded aluminum inside latch assembly; tail piece operates E-2008, E-2009, E-2014 & E-2111 style mortise latches; used on *Fullview*[®] and *Sun Valley Glass*[®] doors.

Old Style

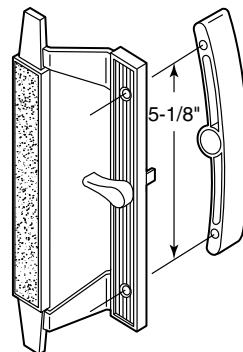


- C-1026** (Aluminum)
- C-1164** (Bronze)

Handle Set

Contents: 1 inside pull; 1 outside pull; 1 thumb latch; installation fasteners.

Description: Diecast inside pull handle; diecast outside pull; use with E-2008, E-2009, E-2014 & E-2111 mortise latches; fits *Howard*[®].

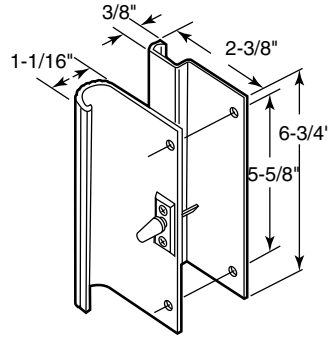


- C-1297** (Gray)

Handle Set

Contents: 1 inside pull; 1 outside pull; 1 thumb latch; installation fasteners.

Description: Extruded aluminum inside pull handle with diecast thumb turn; extruded aluminum outside pull; used with all mortise latches; non-handed; used by several door manufacturers.

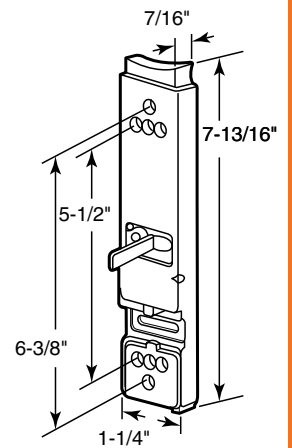


C-1039 (Aluminum)

Inside Pull and Actuator

Contents: 1 inside slide latch.

Description: Extruded aluminum housing with plastic slide activator; surface lock mechanism used by **Kawaneer®**, **Arcadia®** and others; works with most mortise locks; satin anodized aluminum finish.



C-1156 (Aluminum)

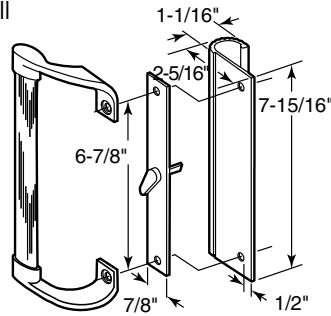
Call For Availability

PATIO DOOR

Handle Set

Contents: 1 inside pull; 1 latch plate; 1 outside pull; installation fasteners.

Description: Extruded aluminum interior handle plate with thumb turn; wood pull handle with diecast end brackets; extruded aluminum outside pull handle; used with all mortise latches; non-handed; fits **Daryl®** doors.



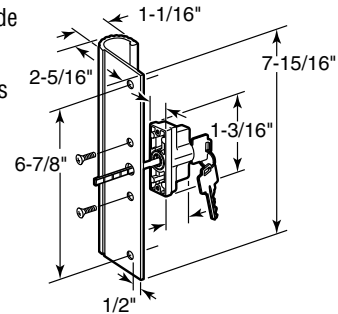
C-1036 (Aluminum - Keyed)

C-1035 (Aluminum)

Outside Pull

Contents: 1 extruded aluminum outside pull; 1 locking cylinder with 2 keys; installation fasteners.

Description: Extruded aluminum outside pull with key cylinder and diecast cylinder housing; designed to be used with C-1035 to convert existing handles to outside keyed; fits **Daryl®** doors.

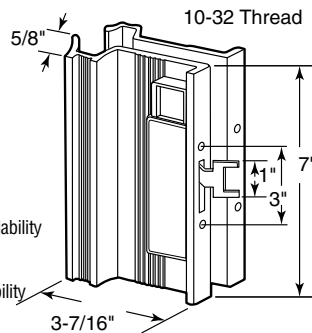


C-1037 (Aluminum)

Handle Set

Contents: 1 inside pull; 1 outside pull; installation fasteners.

Description: Extruded aluminum inside pull; with plastic latch assembly and steel actuator fork; extruded aluminum outside pull; fits **Guaranteed®** patio door; originally the handle extrusions differed slightly in height, today there is only one profile and the package includes spacers for under the handle base for use with single glazed doors.



C-1029 (Single glazed-keyed) Call for availability

C-1028 (Single glazed)

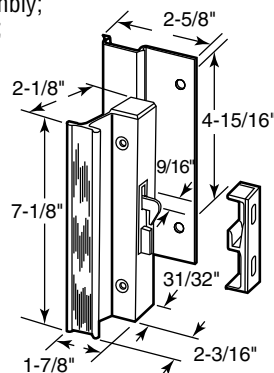
C-1142 (Dual glazed-keyed) Call for availability

C-1143 (Dual glazed)

Handle Set (High base height)

Contents: 1 inside pull and latch assembly; 1 outside pull; 1 face mounting keeper; installation fasteners.

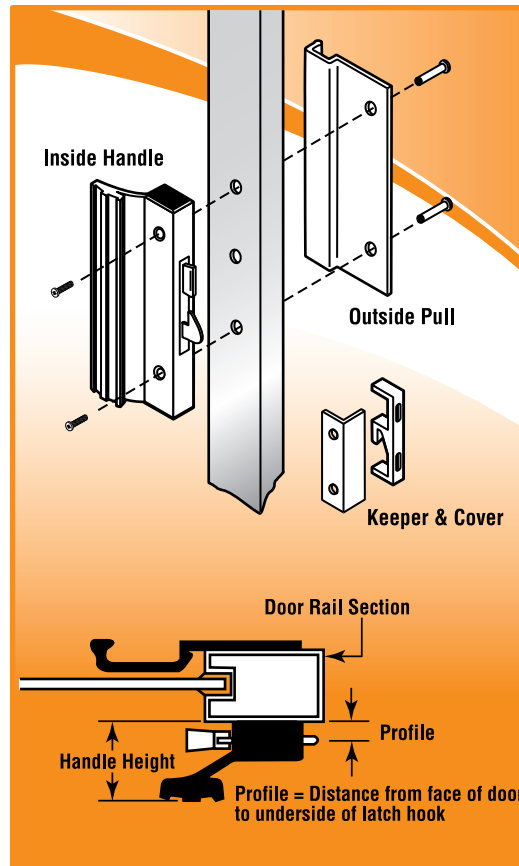
Description: Extruded aluminum inside latch and outside pull; reversible internal hook latch for left or right handing; overall handle height is 2-1/8"; latch hook profile is 9/16"; outside pull has deep backset for wide rails.



C-1002 (Aluminum)

C-1003 (Black)

C-1094 (Black - Keyed)

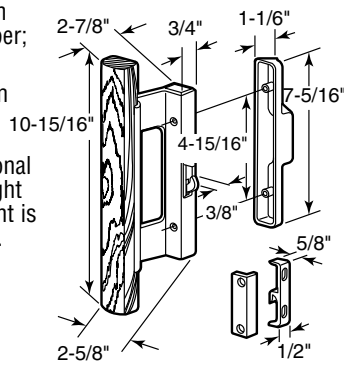


The following pages offer a comprehensive selection of:
**SURFACE MOUNT - HOOK STYLE
HANDLE SETS**

Handle Set

Contents: 1 inside pull and latch assembly; 1 outside pull; 1 keeper; installation fasteners.

Description: Extruded aluminum inside pull includes wood handle; keyable diecast outside pull; fixed anti-lift bar for additional security; reversible for left or right hand doors; overall handle height is 3-1/2"; latch hook profile is 3/8".

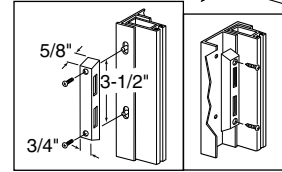
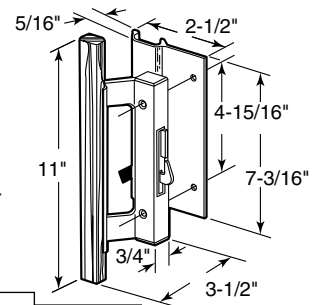


C-1105 (Black)

Handle Set

Contents: 1 inside pull and latch assembly; 1 outside pull; side and face mount keeper; installation fasteners.

Description: High profile extruded aluminum inside latch with wood pull, extruded aluminum outside pull; reversible internal hook latch for left or right handing; handle height is 3-1/2"; hook latch profile is 3/8"



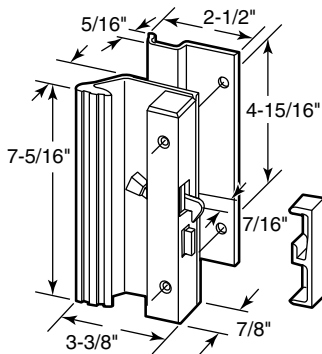
Includes Universal Keeper Set

C-1060 (Aluminum)
C-1061 (Black)

Handle Set (Low handle height)

Contents: 1 inside pull and latch assembly; 1 outside pull; 1 face mounting keeper; installation fasteners.

Description: Low profile extruded aluminum inside latch and outside pull; this very low profile hook latch style handle has an overall height of just 1"; latch hook profile is 7/16"; ideal for doors with vertical or horizontal blinds; will inter-change with all popular hook latch handles, used by several door manufacturers.

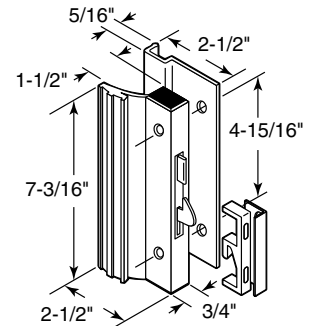


C-1004 (Aluminum)
C-1007 (Black)
C-1191 (White)

Handle Set (Standard handle height)

Contents: 1 inside pull and latch assembly; 1 outside pull; 1 face mounting keeper; installation fasteners.

Description: Extruded aluminum inside latch and outside pull; reversible internal hook latch for left or right handing; overall handle height is 1-1/2"; latch hook profile is 3/8"; used by several door manufacturers.

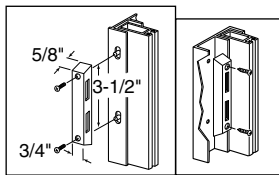
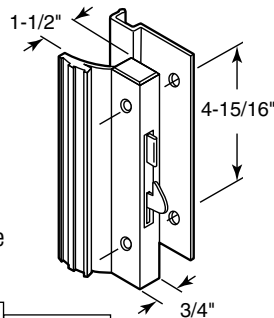


C-1000 (Aluminum)
C-1001 (Black)
C-1185 (Bronze)
C-1203 (White)

Handle Set (Standard handle height)

Contents: 1 deluxe inside pull and latch assembly; 1 outside pull; side and face mount keeper; installation fasteners.

Description: Extruded aluminum inside latch and outside pull; reversible internal hook latch for left or right handing; handle height is 1-1/2"; hook latch profile is 3/8"; same handle set as C-1000 except, package includes two keepers, one face mount and one side mount.



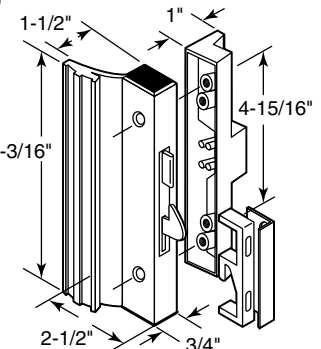
Includes Universal Keeper Set

C-1070 (Aluminum)
C-1071 (Black)

Handle Set (Standard handle height)

Contents: 1 inside pull and latch assembly; 1 outside pull; 1 face mounting keeper; installation fasteners.

Description: Extruded aluminum inside latch and diecast outside pull; reversible internal hook latch for left or right handing; overall handle height is 1-1/2"; latch hook profile is 3/8"; use E-2000 to key lock; used by several door manufacturers.

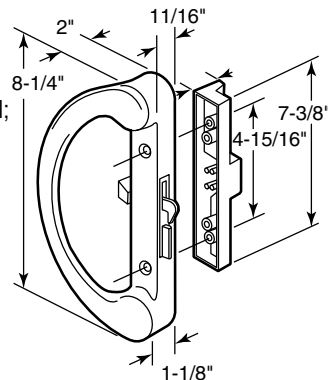


C-1198 (Aluminum)
C-1125 (Black)
C-1118 (White)
C-1119 (Almond)

Handle Set

Contents: 1 inside pull; 1 outside pull; installation fasteners.

Description: Heavy duty diecast handle and latch assembly; diecast outside pull; reversible internal hook latch for left or right handing; fits most standard surface hook handles.



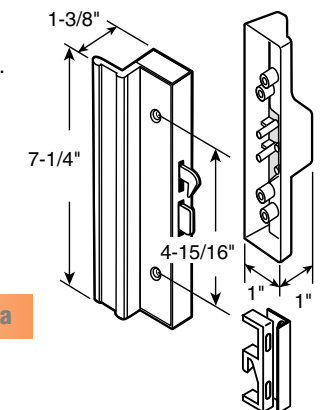
Upgrade

C-1252 (Black)
C-1253 (White)
C-1255 (Gray)

Handle Set (Standard handle height)

Contents: 1 inside pull and latch assembly; 1 outside pull; 1 face mounting keeper; installation fasteners.

Description: Black plastic inside and outside pull; steel hook assembly; 4-15/16" mounting hole centers; primarily used in Canada.



Used primarily in Canada

C-1218 (Black)

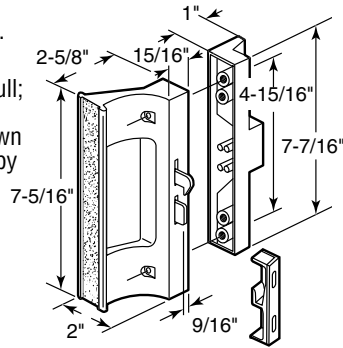
Handle Set

Contents: 1 inside pull and latch assembly; 1 outside pull; 1 face mounting keeper; installation fasteners.

Description: Plastic inside latch body with steel hook latch; plastic outside pull; non-reversible hook latch, however handle can be mounted hook up or down for handing, primarily used in Canada by several door manufacturers.



Used primarily in Canada



C-1216 (Black)

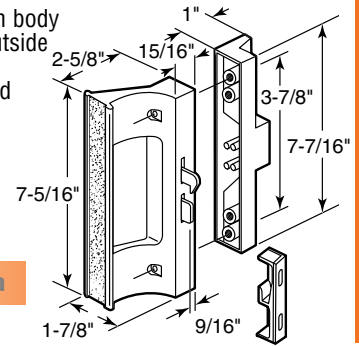
Handle Set

Contents: 1 inside pull and latch assembly; 1 outside pull; 1 face mounting keeper; installation fasteners.

Description: Plastic inside latch body with steel hook latch; plastic outside pull; non-reversible hook latch, however handle can be mounted hook up or down for handing, primarily used in Canada by several door manufacturers.



Used primarily in Canada

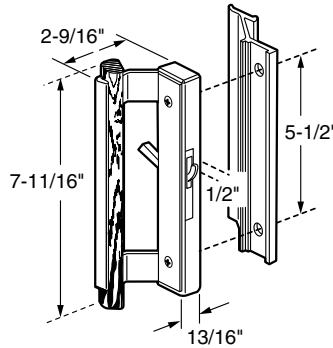


C-1300 (Black)

Handle Set

Contents: 1 inside pull and latch assembly; 1 outside pull; installation fasteners.

Description: Extruded aluminum inside latch with wood pull insert and plastic base; extruded aluminum outside pull; reversible internal hook latch for left or right handing; fits **Adams Rite**® and used by several door manufacturers.

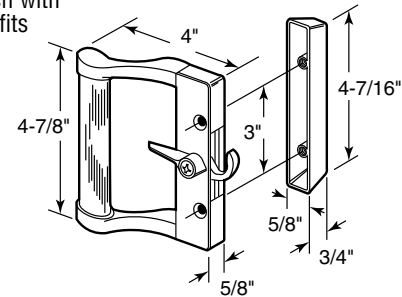


C-1093 (Black)

Handle Set

Contents: 1 inside pull and latch assembly; 1 outside pull; installation fasteners.

Description: Diecast inside latch with wood pull; diecast outside pull fits **Fullview**® doors.



C-1023 (Aluminum)

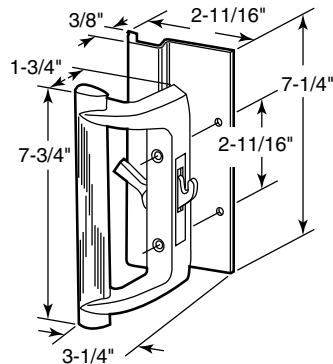
C-1024 (Black)

Handle Set

Contents: 1 inside pull and latch assembly; 1 outside pull; installation fasteners.

Description: Diecast inside latch with wood pull; extruded aluminum outside pull; reversible internal hook latch for left or right handing; fits **Cupples**® doors.

Call For Availability



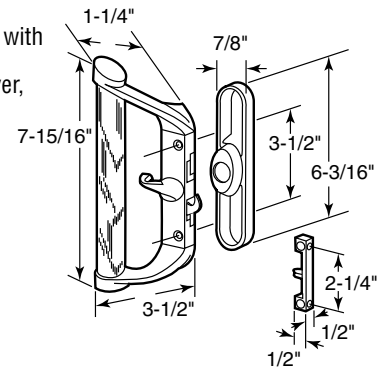
C-1048 (Aluminum)

C-1084 (Black)

Handle Set

Contents: 1 inside pull and latch assembly; 1 outside pull; 1 keeper; installation fasteners.

Description: Diecast inside latch with wood pull; diecast outside pull; non-reversible hook latch, however, handle can be turned hook up or down for handing; used by several door manufacturers.



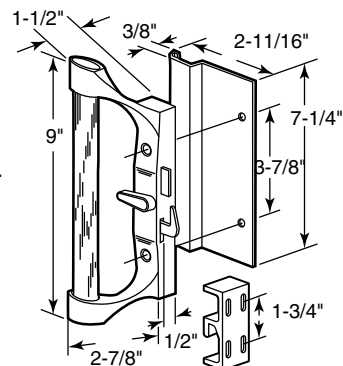
C-1017 (Gray - Keyed)

C-1016 (Gray)

Handle Set

Contents: 1 inside pull and latch assembly; 1 outside pull; 1 keeper; installation fasteners.

Description: Diecast inside latch with wood pull; extruded aluminum outside pull; reversible internal hook latch for left or right handing; fits **Sears**® doors.



C-1020 (Gray)

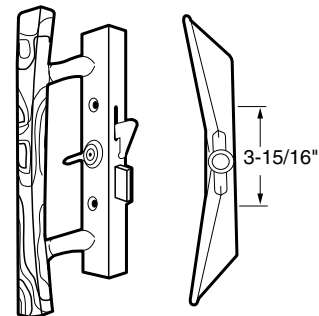
C-1021 (Bronze)

Handle Set

Contents: 1 inside pull and latch assembly; 1 outside pull; installation fasteners.

Description: Diecast inside pull with wood insert; diecast outside pull and anti-lift bar for additional security; for right or left handed applications.

Call For Availability

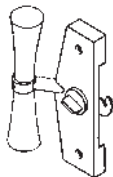


C-1187 (Aluminum)

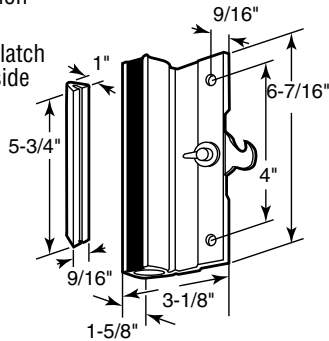
Handle Set

Contents: 1 inside pull and latch assembly; 1 outside pull; installation fasteners.

Description: Extruded aluminum latch and pull; extruded aluminum outside pull; stamped steel hook; fits **Premier** doors.



Old Style



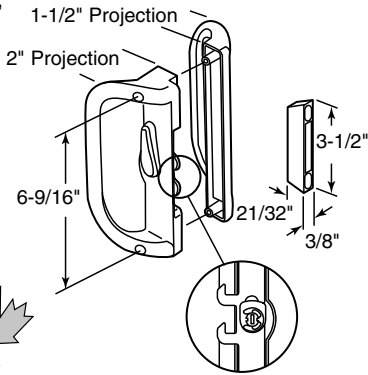
Right hand shown

- C-1052** (Aluminum - Left)
- C-1059** (Aluminum - Right)

Handle Set

Contents: 1 inside pull and latch assembly; 1 outside pull; 1 keeper; installation fasteners.

Description: Diecast handle and latch assembly; diecast outside pull; dual latching hooks for extra security; primarily used in Canada by several door manufacturers.
Note: See part number C-1254 matching outside pull with key cylinder and key adapter.



Used primarily in Canada

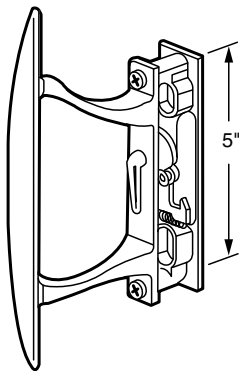


- C-1221** (White)

Handle Set

Contents: 1 inside pull and latch; 1 outside pull; 1 set of installation fasteners.

Description: Diecast latch handle and pull; diecast outside pull; fits **Tucker** doors.



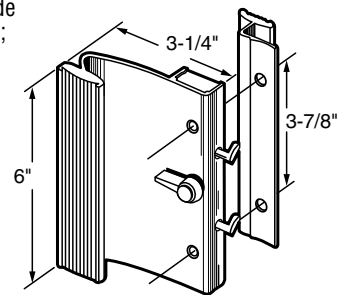
Right hand shown

- C-1065** (Gray - Left)
- C-1066** (Gray - Right)

Handle Set

Contents: 1 inside pull and latch assembly; 1 outside pull; installation fasteners.

Description: Extruded aluminum inside latch; extruded aluminum outside pull; spring loaded hook pins twist to lock into door jamb; no keeper required; fits **Ador Hilite** doors.

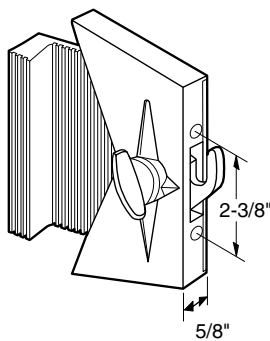


- C-1014** (Aluminum)
- C-1015** (Black)

Handle Set

Contents: 1 inside pull and latch assembly.

Description: Fits **Horizon** doors; replaces old style plastic handle; also known as **Star Lock**; heavy diecast lock.



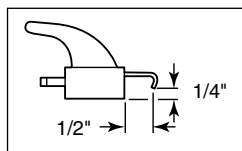
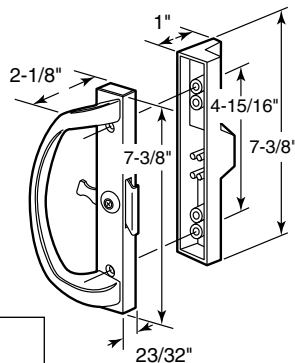
Call For Availability

- C-1046** (Black)

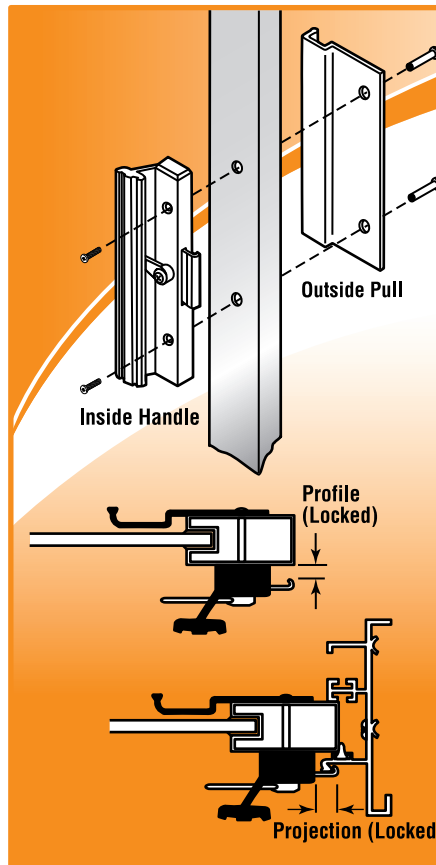
Handle Set

Contents: 1 inside pull and latch assembly; 1 outside pull; installation fasteners.

Description: Diecast pull handle; extruded aluminum inside latch base; diecast outside pull; stamped steel clamp that flips down to engage door jamb; no keeper required; clamp profile is 1/4"; clamp projection is 1/2" when clamp is in the locked position; see clamp illustration.



- C-1263** (White)

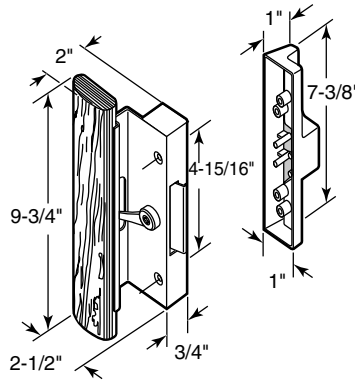


The following pages offer a comprehensive selection of:
SURFACE MOUNT - CLAMP STYLE HANDLE SETS

Handle Set

Contents: 1 inside pull and latch assembly; 1 outside pull; installation fasteners.

Description: Extruded aluminum inside handle with hardwood pull; diecast outside pull; stamped steel clamp that flips down to engage door jamb; no keeper required; clamp profile is 1/4"; clamp projection is 1/2" when clamp is in the locked position; used by several door manufacturers.

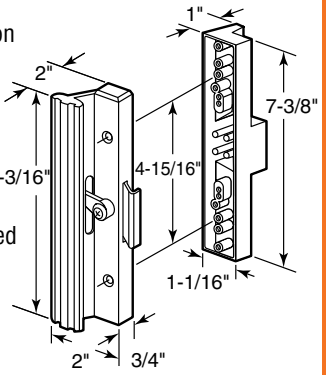


C-1126 (Black)

Handle Set

Contents: 1 inside pull and latch assembly; 1 outside pull; installation fasteners.

Description: Extruded aluminum inside latch; diecast outside pull; stamped steel clamp that flips down to engage door jamb; no keeper required; clamp profile is 1/4"; clamp projection is 1/2" when clamp is in the locked position; used by several door manufacturers.

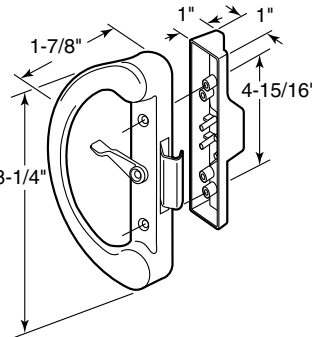


C-1248 (Aluminum)
C-1106 (Black)
C-1116 (White)
C-1117 (Almond)

Handle Set

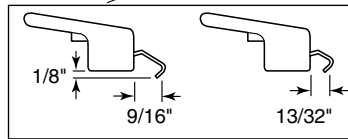
Contents: 1 inside pull and latch assembly; 1 outside pull; installation fasteners.

Description: Diecast inside latch; diecast outside pull; 2 interchangeable clamps; this clamp style latch was designed to meet or exceed the 850-pound forced entry pull test; no keeper required; replaces most clamp latch systems.



Upgrade

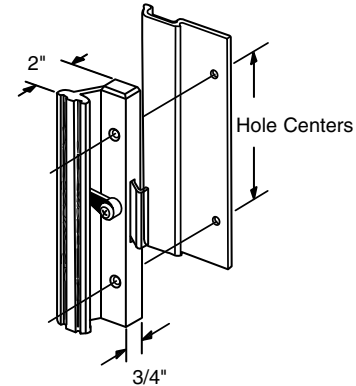
C-1222 (Black)
C-1223 (White)



Handle Set

Contents: 1 inside pull and latch assembly; 1 outside pull; installation fasteners.

Description: Extruded aluminum inside latch; extruded aluminum outside pull; stamped steel clamp that flips down to engage door jamb; no keeper required; clamp profile is 1/4"; clamp projection is 1/2" when clamp is in the locked position; used by several door manufacturers.

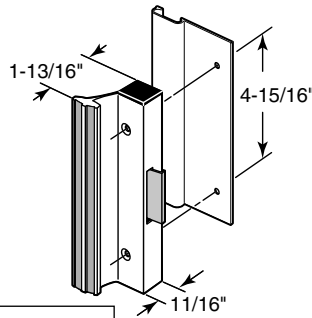


C-1005 (Aluminum 4-15/16")
C-1323 (Aluminum 3-15/16") Call for availability
C-1006 (Black 4-15/16")

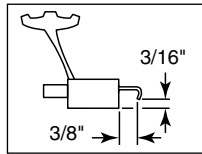
Handle Set

Contents: 1 inside pull and latch assembly; 1 outside pull; installation fasteners.

Description: Extruded aluminum inside latch; extruded aluminum outside pull; similar in style to the C-1005, however, clamp is activated with a black plastic vertical slide underneath the pull handle, the clamp is spring loaded, allowing 1/8" play in clamp profile height.



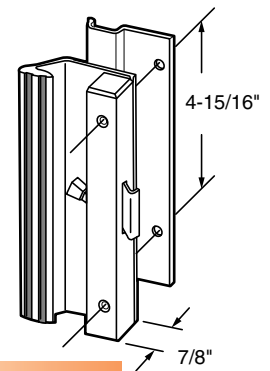
C-1162 (Aluminum)
C-1163 (Bronze)



Handle Set

Contents: 1 inside pull and latch assembly; 1 outside pull; installation fasteners.

Description: Low profile extruded aluminum inside latch; extruded outside pull; this very low profile clamp style handle has an overall height of just 1"; ideal for doors with vertical blinds; clamp profile is 1/4"; clamp projection is 1/2"; will inter-change with most standard clamp style handles; used by several door manufacturers.



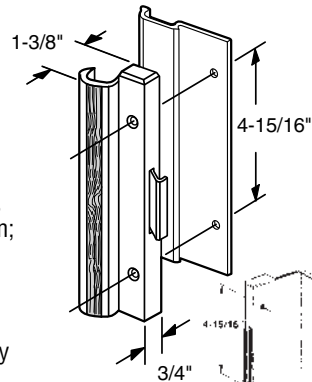
C-1249 (Aluminum)
C-1250 (Black)
C-1251 (White)

Call For Availability

Handle Set

Contents: 1 inside pull and latch assembly; 1 outside pull; installation fasteners.

Description: Extruded aluminum inside latch; extruded aluminum outside pull; stamped steel clamp that flips down to engage door jamb; no keeper required; clamp profile is 1/4"; clamp projection is 1/2" when clamp is in the locked position; original design shown was for **Northrop Architectural**® doors.



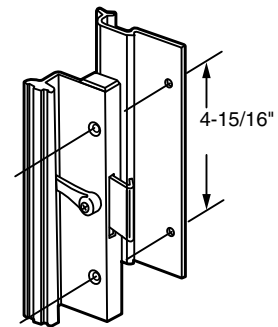
C-1213 (Aluminum) Call for availability
C-1027 (Black)
C-1214 (White)

Old Style

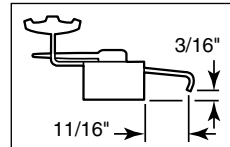
Handle Set (Long clamp)

Contents: 1 inside pull and latch assembly; 1 outside pull; installation fasteners.

Description: Extruded aluminum inside latch; extruded aluminum outside pull; no keeper required; special long 11/16" projection stamped steel clamp; profile is 3/16"; when clamp is in the locked position; fits **Lupton**® and **Rolleze**® doors.



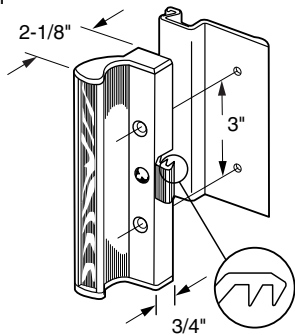
C-1077 (Aluminum)
C-1078 (Black)



Handle Set

Contents: 1 inside pull and latch assembly; 1 outside pull; installation fasteners.

Description: Extruded aluminum inside latch; extruded aluminum outside pull; unique extruded aluminum saw-tooth style clamp locks door automatically when clamp is in the locked position and the door is being closed; fits **900 series International®** doors.



Special Hook

C-1055 (Aluminum)

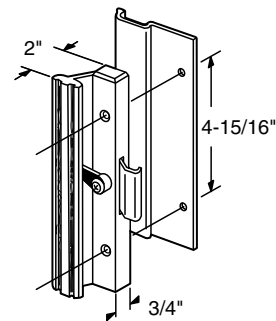
C-1073 (Black)

C-1206 (White)

Handle Set (Deep reach)

Contents: 1 inside pull and latch assembly; 1 outside pull; installation fasteners.

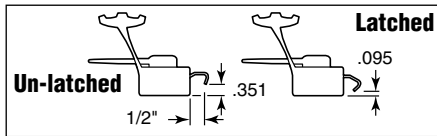
Description: Extruded aluminum inside latch; extruded aluminum outside pull; no keeper required; special formed stamped steel clamp; profile in latched position is only 3/32"; unlocked 11/32"; modified for use on early **Look** and **Rusco-Hilte** doors manufactured in the southeast.



C-1243 (Aluminum)

C-1244 (Black)

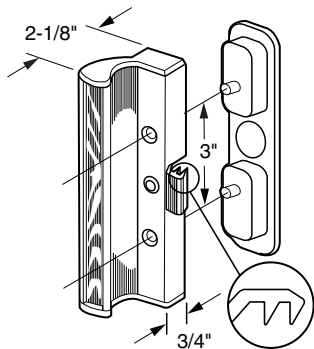
C-1245 (White)



Handle Set

Contents: 1 inside pull and latch assembly; 1 outside pull; installation fasteners.

Description: Extruded aluminum inside latch; diecast outside pull; unique extruded aluminum saw tooth style clamp locks door automatically when clamp is in the locked position and the door is slid closed; fits **950 series International®** doors.



Special Hook

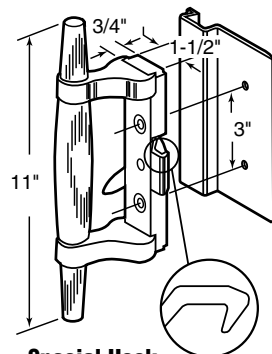
C-1201 (Black)

C-1202 (White)

Handle Set

Contents: 1 inside pull and latch assembly; 1 outside pull; installation fasteners.

Description: Extruded aluminum inside pull with wood handle; complete with plastic thumbturn and aluminum clamp-latch assembly; flush extruded aluminum outside pull; fits **International®** doors (deluxe series handle); latch hook profile is 1/4" and the projection is 9/16".



Special Hook

Call For Availability

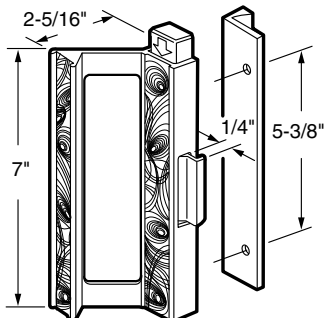
C-1022 (Aluminum)

C-1072 (Black)

Handle Set

Contents: 1 inside pull and latch assembly; 1 outside pull; installation fasteners.

Description: Anodized extruded aluminum clamp-type latch; extruded aluminum outside pull; fits on doors by **Rusco/Hilite®**.



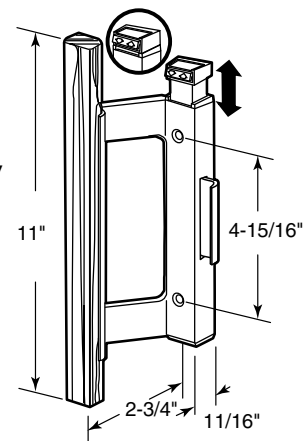
Call For Availability

C-1092 (Black)

Handle (Reverse clamp)

Contents: 1 inside pull and latch assembly; installation fasteners.

Description: Extruded aluminum inside latch with wood insert; reverse clamp; handle is operated by a plastic slide on top of the base, non-handed; fits **Window Master®** doors.

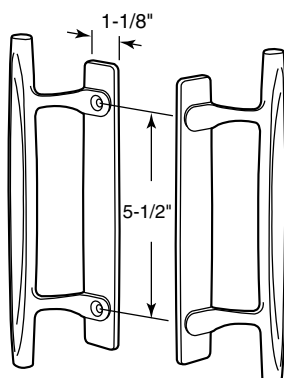


C-1238 (Black)

Handle Set

Contents: 1 inside pull assembly; 1 outside pull; installation fasteners.

Description: Diecast inside pull handle; diecast outside pull handle; fits **Andersen®**.

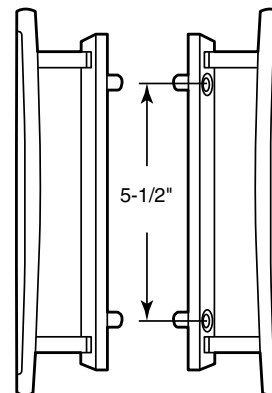


C-1247 (Stone)

Handle Set

Contents: 1 inside pull assembly; 1 outside pull; installation fasteners.

Description: Diecast inside pull handle; diecast outside pull handle; non-handed; fits **Andersen®**.

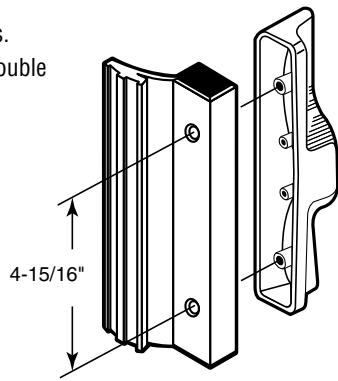


C-1246 (Stone)

Handle Set

Contents: 1 inside pull assembly; 1 outside pull; installation fasteners.

Description: Dummy pull set for double door applications.

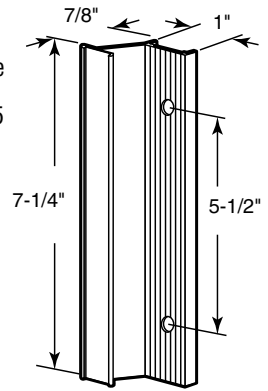


C-1304 (Black)

Pull

Contents: 1 pull.

Description: Extruded aluminum outside pull; 5-1/2" mounting hole pattern common on *Adams Rite*® handles; can be used with C-1155 inside pull handles.

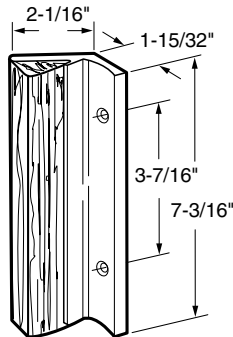


C-1083 (Aluminum)

Pull

Contents: 1 pull.

Description: Extruded aluminum handle with wood insert; fits many applications.



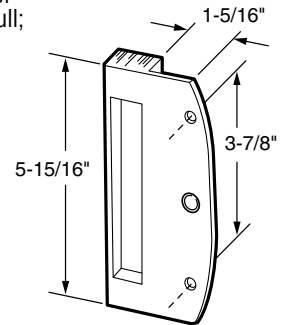
Call For Availability

C-1082 (Black)

Pull

Contents: 1 pull.

Description: Diecast, low profile; brushed aluminum finish; knock-out plug for thumb turn when used as inside pull; 3-7/8" hole spacing.



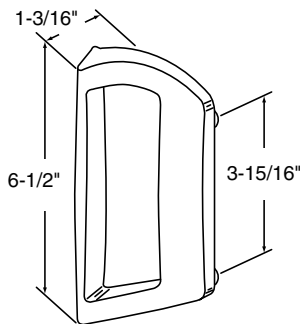
Call For Availability

C-1081 (Aluminum)

Pull

Contents: 1 pull.

Description: Diecast outside pull; 3-15/16" mounting hole pattern; use E-2144 to key lock; used with C-1127 style inside handles.

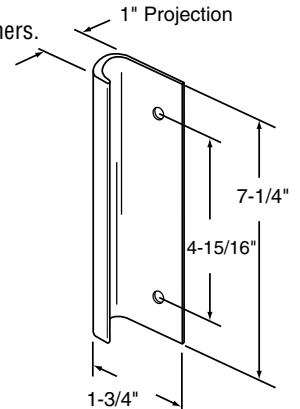


C-1122 (Black)
C-1209 (White)

Pull

Contents: 1 pull; installation fasteners.

Description: Extruded aluminum outside pull; 4-15/16" mounting hole pattern; has a tall "J" pattern for ease of opening or closing.

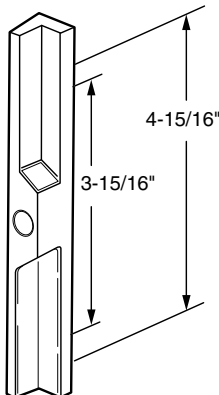


C-1136 (Aluminum)
C-1137 (Black)
C-1138 (White)

Pull

Contents: 1 pull; installation fasteners.

Description: Plastic outside pull; similar in design to C-1096, this pull is ideal for corrosive environments; has two mounting hole patterns; 3-15/16" and 4-15/16".

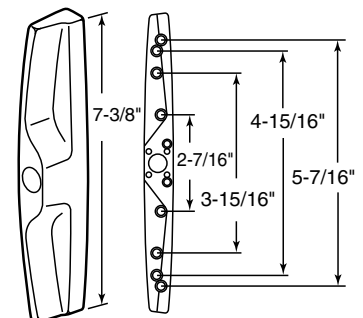


C-1097 (Black)
C-1140 (White)

Pull

Contents: 1 pull; installation fasteners.

Description: Diecast outside pull with a multi-mounting hole pattern; 4 different hole patterns.

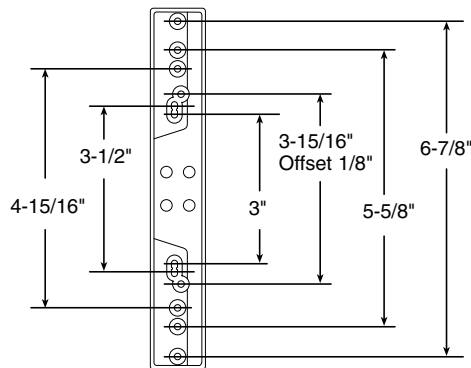
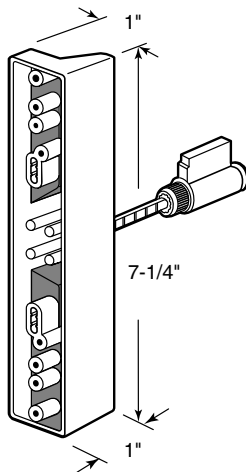


C-1310 (Black)
C-1311 (White)
C-1312 (Almond)
C-1302 (Satin nickel)

Pull & Key Lock

Contents: 1 painted diecast pull; 1 locking cylinder; installation fasteners.

Description: Diecast outside pull with a multi-mounting hole pattern; 6 different hole patterns; center plug has been bored out for an E-2000 key cylinder.

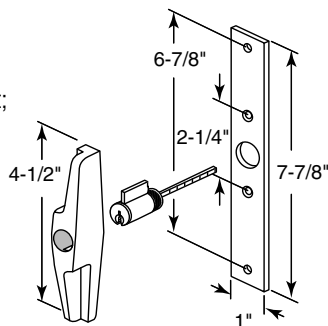


- C-1139** (Black - Keyed)
- C-1096** (Black)
- C-1158** (Gray - Keyed)
- C-1150** (Gray)
- C-1120** (White - Keyed)
- C-1113** (White)
- C-1121** (Almond - Keyed)
- C-1114** (Almond)

Pull & Key Lock

Contents: 1 zinc diecast outside pull; 1 aluminum cover plate; 1 locking cylinder with 2 keys; installation fasteners.

Description: Non-handed locking unit; cover plate pre-drilled at 2-1/4" and 6-7/8" hole centers; fits *Daryl*® and other glass doors.

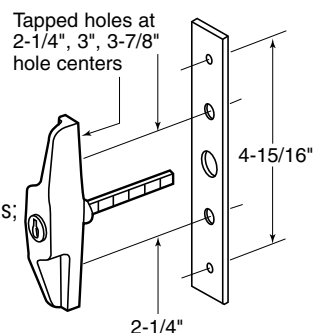


C-1141 (Aluminum)

Pull & Key Lock

Contents: 1 zinc diecast outside pull; 1 aluminum cover plate; 1 locking cylinder with 2 keys; installation fasteners.

Description: Diecast outside pull; key cylinder; aluminum mounting plate; the outside pull used by itself will fit either 2-1/4"; 3"; 3-7/8" hole centers; attaching the optional mounting plate allows this pull to be used for 4-15/16" hole patterns; outside pull has been bored for an E-2000 key cylinder.

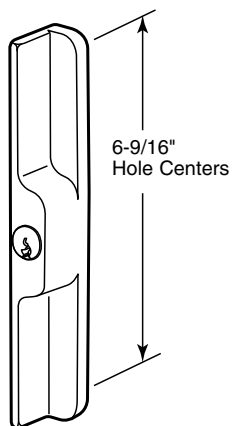


- C-1049** (Aluminum)
- C-1157** (Black)

Pull & Key Lock

Contents: 1 diecast outside pull; 1 locking cylinder with 2 keys; installation fasteners.

Description: White diecast outside pull; with key cylinder; fits C-1221 handle.



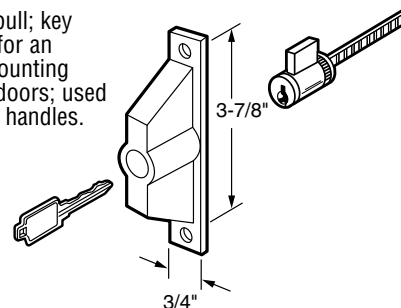
Used primarily in Canada

C-1254 (White)

Pull & Key Lock

Contents: 1 diecast outside pull; 1 locking cylinder with 2 keys; installation fasteners.

Description: Diecast outside pull; key cylinder; pull has been bored for an E-2000 key cylinder; 3-7/8" mounting hole pattern fits *Ador-Hilite*® doors; used with C-1014 and C-1015 door handles.



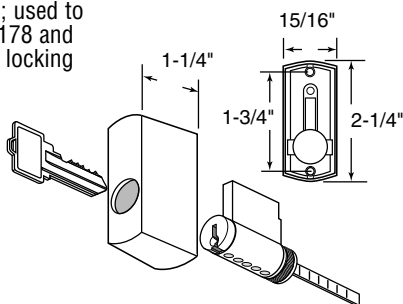
Call For Availability

- C-1012** (Gray - Keyed)
- C-1010** (Gray)
- C-1013** (Black - Keyed)
- C-1011** (Black)

Keyed Locking Unit

Contents: 1 lock housing; 1 cylinder lock with 2 keys; installation fasteners.

Description: Diecast housing; used to convert C-1174, C-1176, C-1178 and C-1280 thru C-1287 to keyed locking handle.

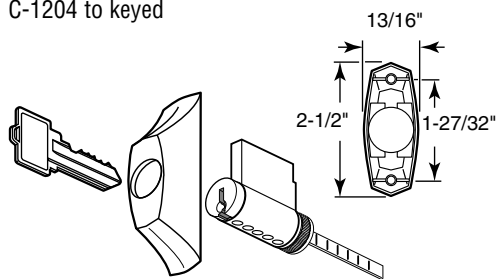


- E-2145** (White)
- E-2146** (Brass)
- E-2194** (Classic bronze)
- E-2195** (Satin nickel)

Keyed Locking Unit

Contents: 1 lock housing; 1 cylinder lock with 2 keys; installation fasteners.

Description: Diecast housing; used to convert C-1131 and C-1204 to keyed locking handle.

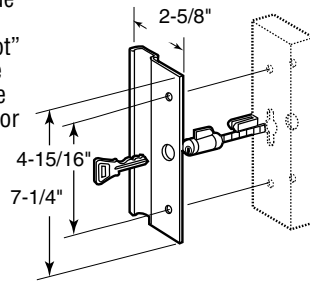


E-2144 (White)

Pull & Key Lock

Contents: 1 outside pull; 1 locking cylinder; 1 cylinder clip.

Description: Extruded aluminum outside pull; E-2000 key cylinder; tail piece retainer; some door stiles have "key-slot" type punched holes between the handle mounting holes to allow the body of the key cylinder to work from inside the door stile, therefore not requiring a raised outside pull; used with most surface mount handle sets having 4-15/16" hole centers.

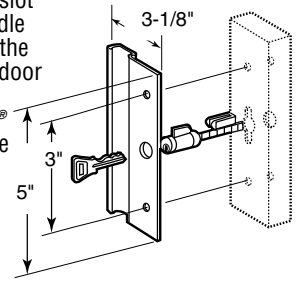


E-2070 (Aluminum)
E-2071 (Black)

Pull & Key Lock

Contents: 1 outside pull; 1 locking cylinder; 1 cylinder clip.

Description: Extruded aluminum outside pull; E-2000 key cylinder; tail piece retainer; some door stiles have "key-slot" type punched holes between the handle mounting holes to allow the body of the key cylinder to work from inside the door stile, therefore not requiring a raised outside pull; used with *International*® handles C-1055 and C-1073 on single glazed doors.

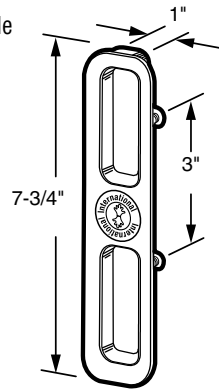


E-2072 (Aluminum)
E-2073 (Black)

Pull

Contents: 1 pull; installation fasteners.

Description: Diecast flush mount outside pull; fits *International*® *Series 950* dual glazed doors; used with C-1055 and C-1073 inside latches; can accept an E-2000 key cylinder.

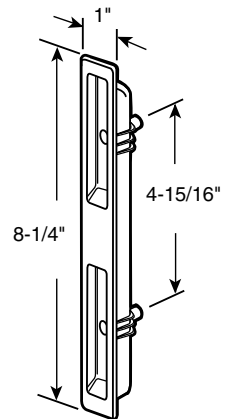


C-1087 (Black)
C-1207 (White)

Pull

Contents: 1 pull; installation fasteners.

Description: Injected plastic outside pull; with 2 binder posts; fits *Window Master*® doors; can be used with C-1238 inside pull.



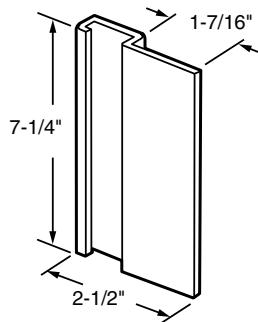
C-1217 (Black)

***Call For Availability**

Pull

Contents: 1 pull; installation fasteners.

Description: Extruded aluminum outside pull handle; universal application; no pre-drilled mounting holes; to be drilled to meet application.

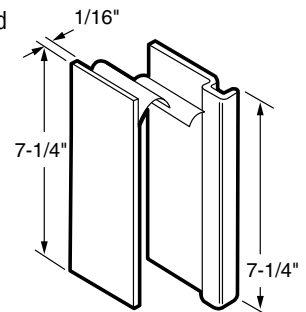


C-1008 (Aluminum)
C-1009 (Black)

Handle Set

Contents: 1 inside cover plate; 1 outside pull.

Description: Extruded aluminum inside shim or cover plate 1/16" thick; extruded aluminum outside pull; both have adhesive back tape; both can be drilled to meet installation requirements; inside shim is handy when replacing an older surface mount handle with a newer handle requiring new hole centers to be drilled.



C-1062 (Aluminum)
C-1063 (Black)