

Lock & Door Reinforcers

Part No.	Finish	Backset	Door Thickness	Reinforcer Width
U-9547	Brass	2-3/8"	1-3/8"	3-7/8"
U-9548	Brass	2-3/8"	1-3/4"	3-7/8"
U-9549	Brass	2-3/4"	1-3/8"	4-5/16"
U-9550	Brass	2-3/4"	1-3/4"	4-5/16"
U-9568	Antique Brass	2-3/8"	1-3/8"	3-7/8"
U-9569	Antique Brass	2-3/8"	1-3/4"	3-7/8"
U-9570	Antique Brass	2-3/4"	1-3/8"	4-5/16"
U-9571	Antique Brass	2-3/4"	1-3/4"	4-5/16"
U-9585	Stainless Steel	2-3/8"	1-3/8"	3-7/8"
U-9586	Stainless Steel	2-3/8"	1-3/4"	3-7/8"
U-9587	Stainless Steel	2-3/4"	1-3/8"	4-5/16"
U-9588	Stainless Steel	2-3/4"	1-3/4"	4-5/16"

Lock & Door Reinforcer

Contents: Solid brass or stainless steel door channel, (2) #10 x 1" combo screws, (2) #10-32 hex nuts, (4) #8 x 5/8" Phillips truss head screws.

Description: Reinforces and repairs doors; assists in preventing forced entry; use on wood or metal doors with mortise or drive-in latches; accommodates key-in-knob locksets or deadbolts; easy to install.

You may wish to stock these related parts: **U-9426, U-9555, U-9556, U-9558, U-9564 and U-9565.**

Standard Pack: 4/box

- Used to secure door when installing locksets.
- Improve integrity of jamb with a security strike.
- Repairs split or damaged doors.
- Solid brass or stainless steel.

Part No.	Finish	Backset	Door Thickness	Reinforcer Width
U-9540	Brass	2-3/8"	1-3/8"	3-7/8"
U-9541	Brass	2-3/8"	1-3/4"	3-7/8"
U-9542	Brass	2-3/4"	1-3/4"	4-5/16"
U-9551	Stainless Steel	2-3/8"	1-3/4"	3-7/8"
U-9552	Stainless Steel	2-3/4"	1-3/4"	4-5/16"

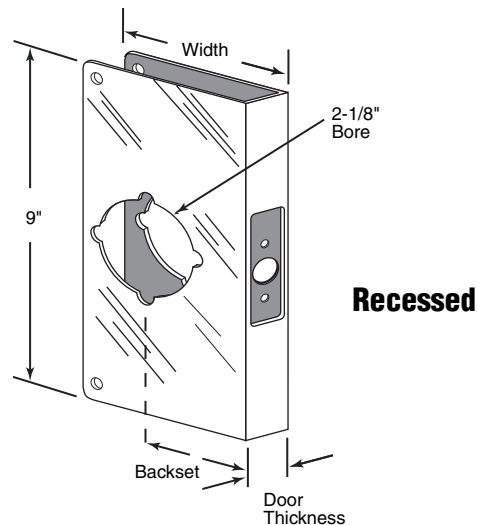
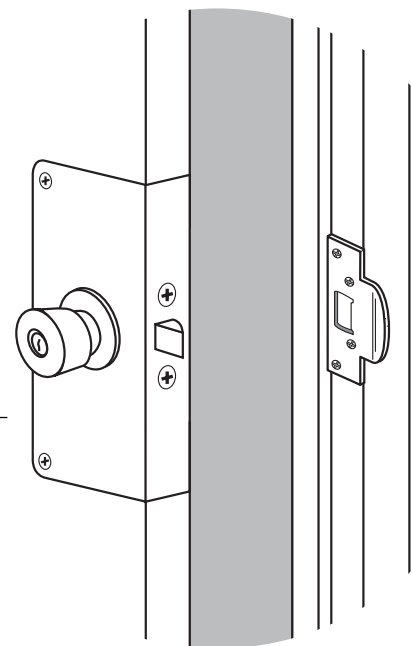
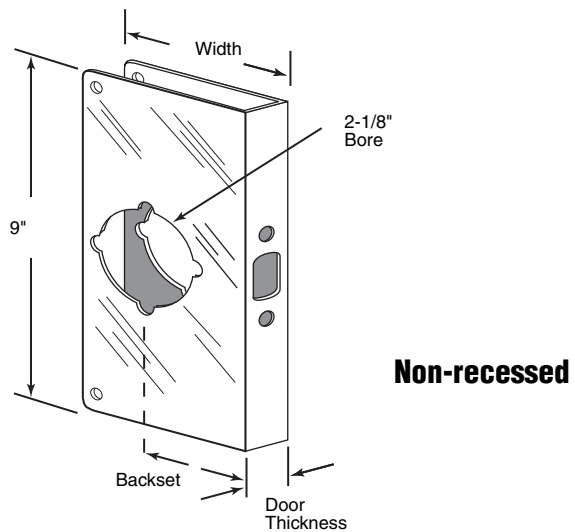
Lock & Door Reinforcer

Contents: Solid brass or stainless steel door channel, (2) #10 x 1" combo screws, (2) #10-32 hex nuts, (4) #8 x 5/8" Phillips truss head screws.

Description: Reinforces and repairs doors; assists in preventing forced entry; use on wood or metal doors with mortise or drive-in latches; accommodates key-in-knob locksets or deadbolts; easy to install.

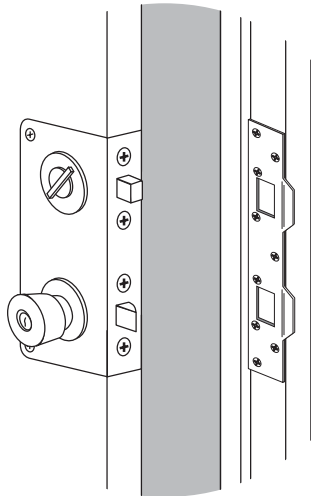
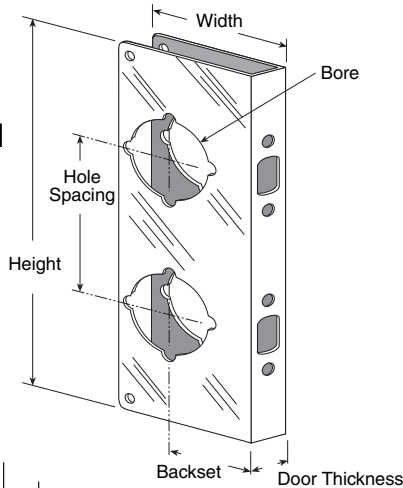
You may wish to stock these related parts: **U-9426, U-9543, U-9544, U-9545, U-9553 and U-9554.**

Standard Pack: 4/box



Part No.	Finish	Bore	Backset	Hole Spacing	Door Thickness	Reinforcer Width	Reinforcer Height
U-9537	Brass	2-1/8"	2-3/8"	5-1/2"	1-3/4"	3-7/8"	10-7/8"
U-9559	Brass	2-1/8"	2-3/8"	3-5/8"	1-3/8"	3-7/8"	9"
U-9560	Brass	2-1/8"	2-3/8"	3-5/8"	1-3/4"	3-7/8"	9"
U-9561	Brass	2-1/8"	2-3/4"	3-5/8"	1-3/4"	4-5/16"	9"
U-9577	Antique Brass	2-1/8"	2-3/8"	3-5/8"	1-3/4"	3-7/8"	9"
U-9594	Stainless Steel	2-1/8"	2-3/8"	3-5/8"	1-3/4"	3-7/8"	9"
U-9595	Stainless Steel	2-1/8"	2-3/4"	3-5/8"	1-3/4"	4-5/16"	9"
U-9977	Brass	1-1/2" & 2-1/8"	2-3/4"	6"	1-3/4"	4-5/16"	10-7/8"

Non-recessed



Combination Lock & Door Reinforcer

Contents: Solid brass or stainless steel door channel, (4) #10 x 1" combo screws, (4) #10-32 hex nuts, (4) #8 x 5/8" Phillips truss head screws.

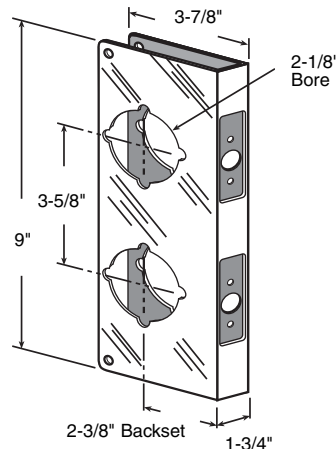
Description: Reinforces and repairs doors; assists in preventing forced entry; use on wood or metal doors with mortise or drive-in latches; accommodates key-in-knob locksets and deadbolts or combination locksets; easy to install.

You may wish to stock these related parts: **U-9427, U-9480, U-9547, U-9548, U-9555 and U-9556.**

Standard Pack: 4/box

- Used to secure door when installing combination lockset and deadbolt.
- Improve integrity of jamb with security strike(s).
- Repairs split or damaged doors.
- Solid brass or stainless steel.

Recessed



U-9546 (Brass)

Combination Lock & Door Reinforcer

Contents: Solid brass door channel, (4) #10 x 1" combo screws, (4) #10-32 hex nuts, (4) #8 x 5/8" Phillips truss head screws.

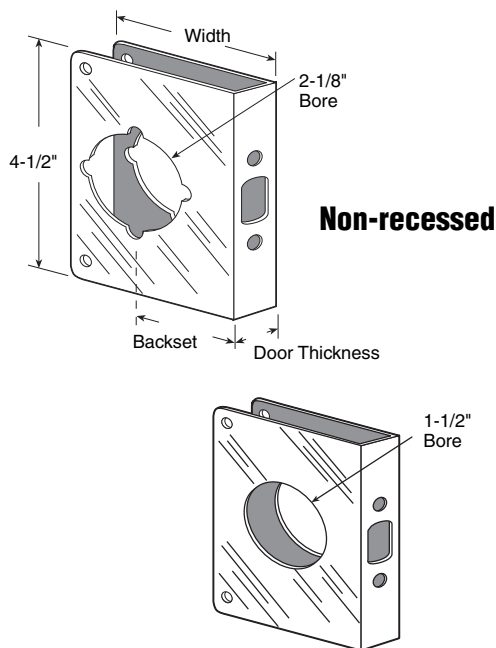
Description: Reinforces and repairs doors; assists in preventing forced entry; use on wood or metal doors with mortise or drive-in latches; accommodates key-in-knob locksets and deadbolts or combination locksets; easy to install.

You may wish to stock these related parts: **U-9427, U-9540, U-9541, U-9551 and U-9553.**

Standard Pack: 4/box

Lock & Door Reinforcers

Part No.	Finish	Bore	Backset	Door Thickness	Reinforcer Width
U-9555	Brass	2-1/8"	2-3/8"	1-3/8"	3-7/8"
U-9556	Brass	2-1/8"	2-3/8"	1-3/4"	3-7/8"
U-9558	Brass	2-1/8"	2-3/4"	1-3/4"	4-5/16"
U-9564	Brass	1-1/2"	2-3/8"	1-3/8"	3-7/8"
U-9565	Brass	1-1/2"	2-3/8"	1-3/4"	3-7/8"
U-9978	Brass	1-1/2"	2-3/4"	1-3/4"	4-5/16"
U-9572	Antique Brass	2-1/8"	2-3/8"	1-3/8"	3-7/8"
U-9573	Antique Brass	2-1/8"	2-3/8"	1-3/4"	3-7/8"
U-9575	Antique Brass	2-1/8"	2-3/4"	1-3/4"	4-5/16"
U-9581	Antique Brass	1-1/2"	2-3/8"	1-3/8"	3-7/8"
U-9582	Antique Brass	1-1/2"	2-3/8"	1-3/4"	3-7/8"
U-9589	Stainless Steel	2-1/8"	2-3/8"	1-3/8"	3-7/8"
U-9590	Stainless Steel	2-1/8"	2-3/8"	1-3/4"	3-7/8"
U-9591	Stainless Steel	2-1/8"	2-3/4"	1-3/8"	4-5/16"
U-9592	Stainless Steel	2-1/8"	2-3/4"	1-3/4"	4-5/16"
U-9598	Stainless Steel	1-1/2"	2-3/8"	1-3/8"	3-7/8"
U-9599	Stainless Steel	1-1/2"	2-3/8"	1-3/4"	3-7/8"



Lock & Door Reinforcer

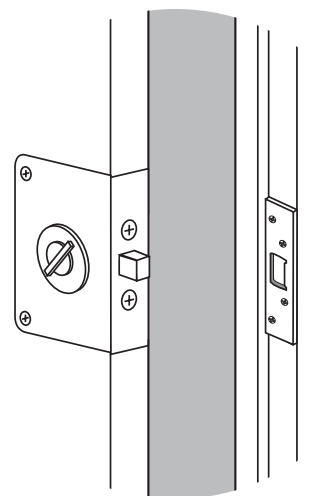
Contents: Solid brass or stainless steel door channel, (2) #10 x 1" combo screws, (2) #10-32 hex nuts, (4) #8 x 5/8" Phillips truss head screws.

Description: Reinforces and repairs doors; assists in preventing forced entry; use on wood or metal doors with mortise or drive-in latches; accommodates key-in knob locksets or deadbolts; easy to install.

You may wish to stock these related parts: **E-2235, E-2285 and E-2292.**

Standard Pack: 4/box

- Used to secure door when installing deadbolts.
- Improve integrity of jamb with a security strike.
- Repairs split or damaged doors.
- Solid brass or stainless steel.



Part No.	Finish	Backset	Door Thickness	Reinforcer Width
U-9543	Brass	2-3/8"	1-3/8"	3-7/8"
U-9544	Brass	2-3/8"	1-3/4"	3-7/8"
U-9545	Brass	2-3/4"	1-3/4"	4-5/16"
U-9553	Stainless Steel	2-3/8"	1-3/4"	3-7/8"
U-9554	Stainless Steel	2-3/4"	1-3/4"	4-5/16"

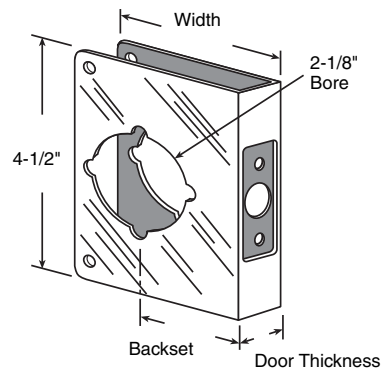
Lock & Door Reinforcer

Contents: Solid brass or stainless steel door channel, (2) #10 x 1" combo screws, (2) #10-32 hex nuts, (4) #8 x 5/8" Phillips truss head screws.

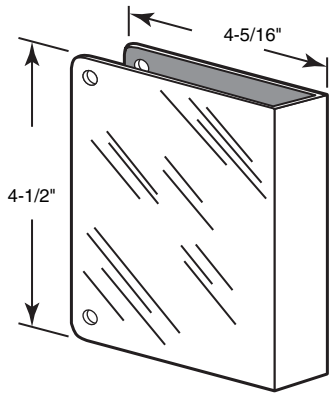
Description: Reinforces and repairs doors; assists in preventing forced entry; use on wood or metal doors with mortise or drive-in latches; accommodates key-in knob locksets or deadbolts; easy to install.

You may wish to stock these related parts: **E-2235 and E-2292.**

Recessed



Standard Pack: 4/box



U-9490
U-9492

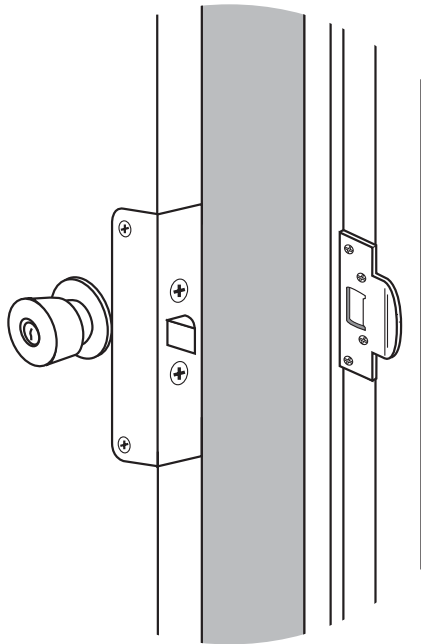
Part No.	Finish	Door Thickness
U-9490	Brass	1-3/4"
U-9492	Stainless Steel	1-3/4"

Blank Reinforcer

Contents: Solid brass or stainless steel door channel; (4) #8 x 5/8" Phillips truss head screws.

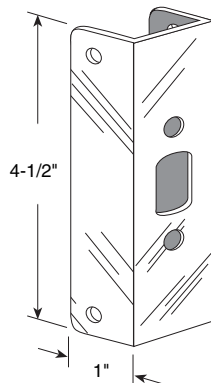
Description: Covers unsightly holes and damage; can be drilled to accommodate specialty locks.

Standard Pack: 4/box



- Used to secure door when installing locksets or deadbolts.
- Improve integrity of jamb with a security strike.
- Repairs split or damaged doors.
- Solid brass or stainless steel.

U-9566
U-9567
U-9583
U-9584
U-9975
U-9976



Part No.	Finish	Door Thickness
U-9566	Brass	1-3/8"
U-9567	Brass	1-3/4"
U-9583	Antique Brass	1-3/8"
U-9584	Antique Brass	1-3/4"
U-9975	Stainless Steel	1-3/8"
U-9976	Stainless Steel	1-3/4"

Door Edge Reinforcer

Contents: Solid brass or stainless steel door channel, (2) #10 x 1" combo screws, (2) #10-32 hex nuts, (4) #8 x 5/8" Phillips truss head screws.

Description: Reinforces and repairs door edge; assists in preventing forced entry; use on wood or metal doors with mortise or drive-in latches; accommodates lockset or deadbolt with any backset; easy to install.

Standard Pack: 4/box