

Latch Shields

U-9481 (Aluminum anodized)

U-9482 (Gold anodized)

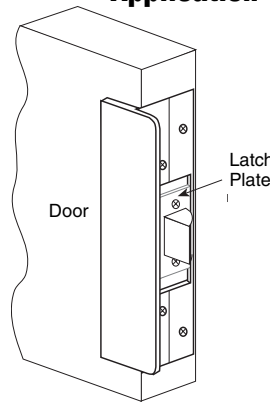
Door Protector (Extruded aluminum)

Contents: Anodized extruded aluminum protector; (4) #6 x 1" Phillip flat head screws

Description: Secures against forced entry; **used on inswing or outswing doors**; requires some mortising, as noted in illustration; mounts to door for outswing application or to door frame for inswing application.

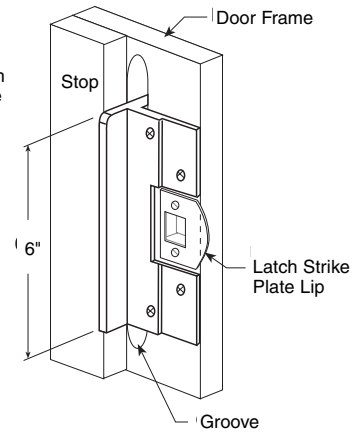
You may wish to stock these related parts: **E-2232, E-2234, U-9486 and U-9488.**

Outswing Application



U-9481
U-9482

Inswing Application



Standard Pack: 6/box

U-9511 (Painted gray - 6")

U-9512 (Brass plated - 6")

U-9513 (Painted gray - 12")

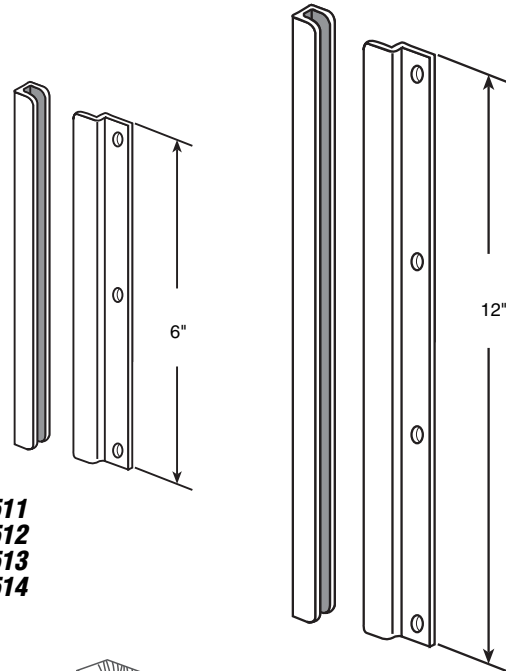
U-9514 (Brass plated - 12")

Latch Shield (Steel)

Contents: Plated or painted steel 2 piece shield (1 door channel and 1 interlocking jamb bar); 3 (4) #10 x 1-1/4" tamper-resistant screws; 2 (4) #8 x 1" Phillips flat head screws and 2 #10 x 3/4" Phillips pan head screws.

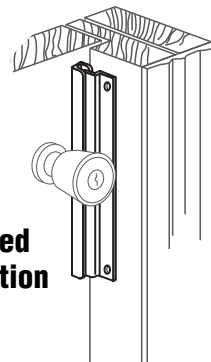
Description: Use on inswing doors; interlocking brackets protect against forced entry; may be applied to wood or metal doors; special fasteners include one-way screws; **requires no mortising.**

You may wish to stock these related parts: **U-9422, U-9425, U-9426, U-9486 and U-9532.**

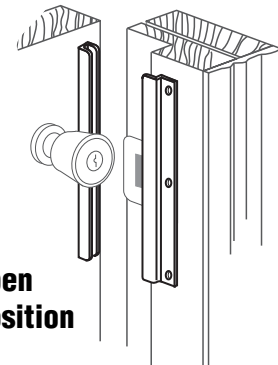


U-9511
U-9512
U-9513
U-9514

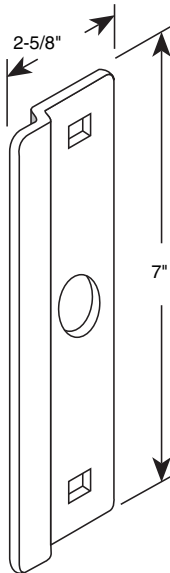
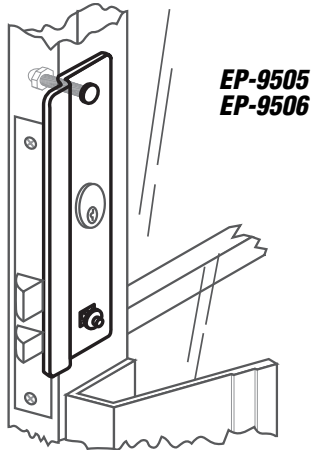
Closed Position



Open Position



Standard Pack: 10/box



EP-9505 (Painted gray - 7")

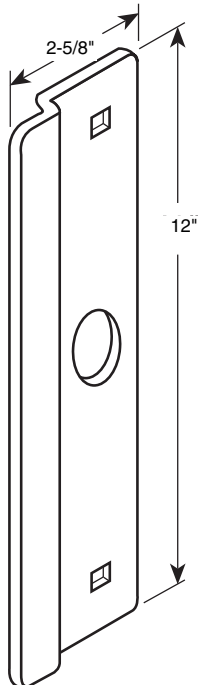
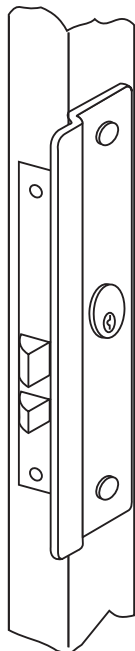
EP-9506 (Painted bronze - 7")

Latch Shield (Poly-bagged)

Contents: Painted steel shield; (1) 5/16" x 2" carriage bolt; cap nut and washer and 1 blind rivet.

Description: For commercial aluminum entrance doors; used with mortise lock installations where handle or push bar prevent shield from spanning lock.

Standard Pack: 6/bag



EP-9507 (Painted gray - 12")

EP-9508 (Painted bronze - 12")

Latch Shield (Poly-bagged)

Contents: Painted steel shield; (2) 5/16" x 2" carriage bolts; washers and cap nuts.

Description: For commercial aluminum entrance doors; used with mortise lock installations to span lock and allow thru-bolt fastening.

Standard Pack: 6/bag

Latch Shields

U-9500 (Painted gray - 7")

U-9501 (Painted bronze - 7")

U-9502 (Brass plated - 7")

U-9503 (Painted gray - 11")

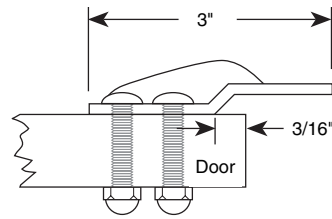
U-9504 (Painted bronze - 11")

Latch Shield (Steel)

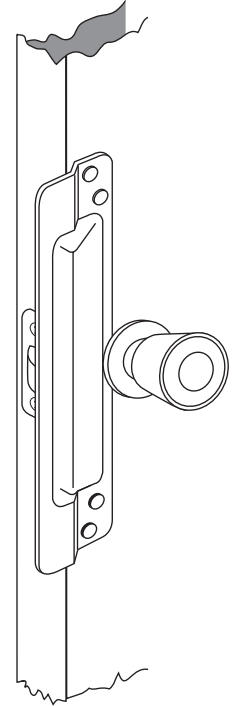
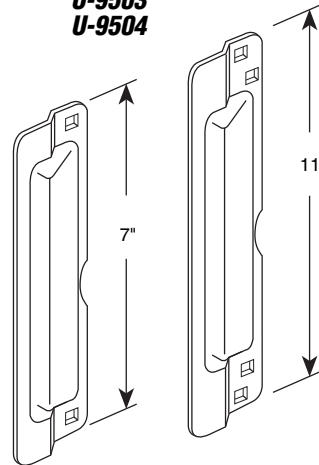
Contents: Painted or plated shield; (2) or (4) 5/16" x 2" carriage bolts; washers and cap nuts.

Description: Secures against forced entry; **used on outswing doors**; for residential, commercial and industrial use.

You may wish to stock these related parts: **E-2232, E-2235, U-9422, U-9425 and U-9426.**



U-9500
U-9501
U-9502
U-9503
U-9504



Standard Pack: 6/box

U-9509 (Painted gray - 6")

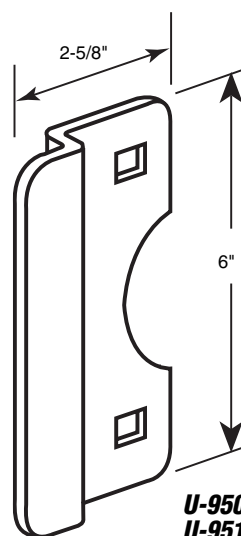
U-9510 (Brass plated - 6")

Latch Shield (Steel)

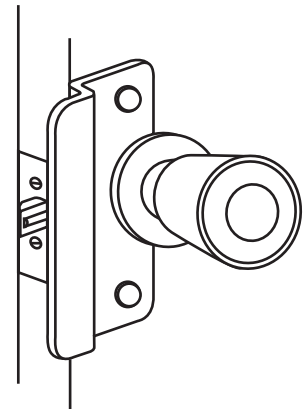
Contents: Painted or plated shield; (2) 5/16" x 2" carriage bolts; washers and cap nuts.

Description: **Used on outswing doors**; designed for use with locksets with 2-3/8" backsets.

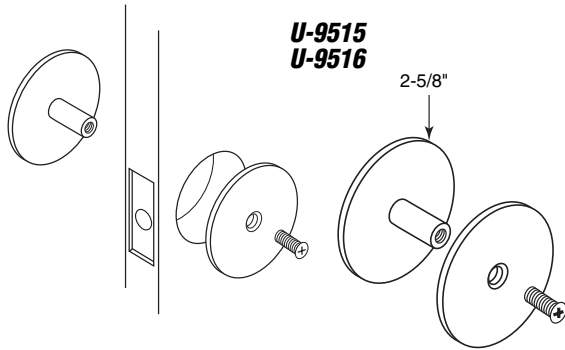
You may wish to stock these related parts: **E-2232, E-2235, U-9422, U-9425 and U-9426.**



U-9509
U-9510

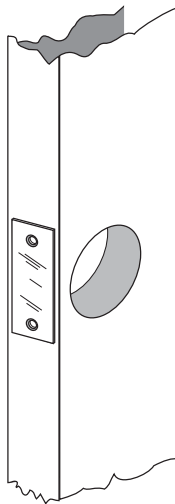


Standard Pack: 6/box



U-9515
U-9516

2-5/8"



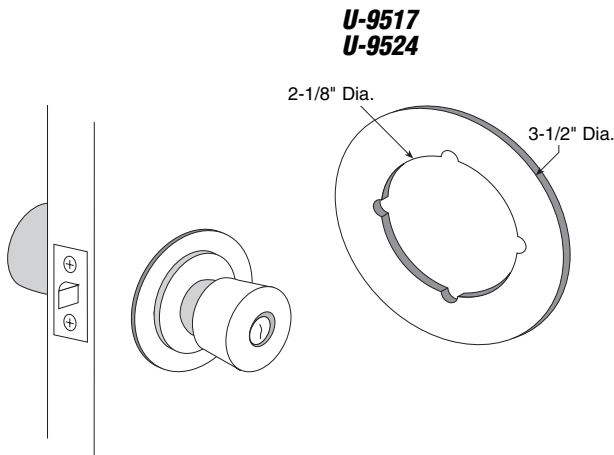
EP-9520
EP-9521

2-1/4"

1"

2-1/4"

1-1/8"



U-9517
U-9524

2-1/8" Dia.

3-1/2" Dia.

U-9515 (Painted gray)

U-9516 (Brass plated)

Hole Cover (Steel)

Contents: Painted or plated cover (2 pieces); (1) #10 x 1" and (1) #10 x 1-1/2" machine screw.

Description: Covers 1/2" to 2-1/8" holes; helps maintain entry security; fits doors to 1-3/4" thick.

You may wish to stock these related parts: **EP-9520**, **EP 9521**, **U-9517** and **U-9521**.

Standard Pack: 6/box

EP-9520 (1" wide)

EP-9521 (1-1/8" wide)

Door Edge Filler Plate (Poly-bagged)

Contents: Painted gray steel filler plate with (2) #8-32 x 1/2" flat head machine screws.

Description: Fills latch face cut-outs for either residential or commercial applications.

Standard Pack: 6/bag

U-9517 (Nickel plated)

U-9524 (Satin brass plated)

Cover Plate (Steel)

Contents: 2 plated covers.

Description: Use with 2-1/8" bore locks; covers marred doors; allows conversion of 2-3/8" to 2-3/4" backset (or 2-3/4" to 2-3/8").

You may wish to stock these related parts: **EP-9520**, **EP 9521**, **U-9515** and **U-9516**.

Standard Pack: 6/box