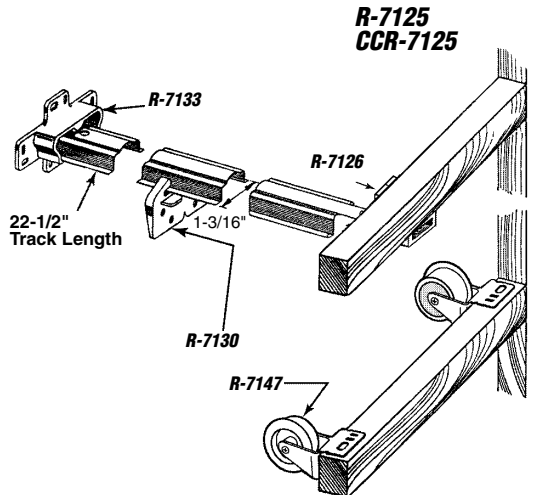


The following pages offer a comprehensive selection of:

Drawer and Cabinet HARDWARE



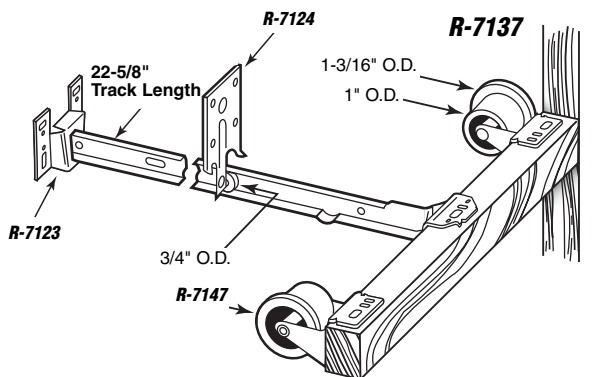
R-7125 CCR-7125 (30 per display box)

Rolled Edge Drawer Track Kit

Contents: 1 track; 1 front plate; 1 back plate; 1 drawer guide; 2 front rollers; 1 set of installation fasteners.

Description: Rolled edge galvanized steel track; polyethylene guides; nylon front rollers; components designed for superior strength and smooth operation; may be used for top or bottom mount installations.

Note: 22-1/2" long track may be cut down to fit shorter drawer applications.

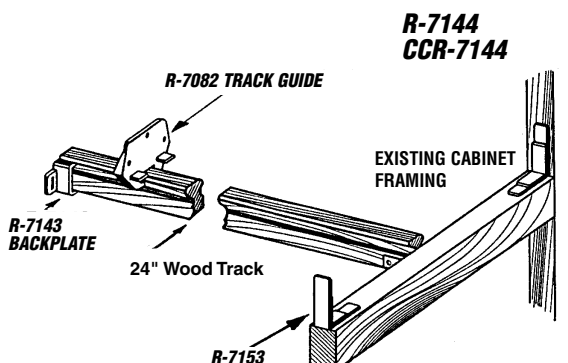


R-7137 Monorail Drawer Track Kit

Contents: 1 track; 1 roller guide; 1 rear mount bracket; 1 left hand roller; 1 right hand roller; 1 set of installation fasteners.

Description: Galvanized steel track and rear support bracket; nylon rollers; 75 lb. test rated; requires 1-1/4" clearance for installation; may be top or bottom mounted.

Note: 22-5/8" long track may be cut down to fit shorter drawer applications.



R-7144 CCR-7144 (30 per display box)

Wood Drawer Track Kit

Contents: 1 wood track; 1 drawer guide; 1 back plate; 2 "L" angles; 2 side saddles; 1 set of installation fasteners.

Description: Wood track; polyethylene guides and side saddles; steel angle brackets support front end of track; designed to replace most wood track systems; may be used for top or bottom mount installations; restores smooth operation to track mounted drawers.

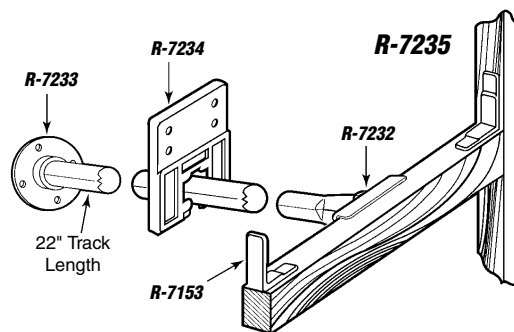
Note: 24" long track may be cut down to fit shorter drawer applications.

R-7235

Tubular Drawer Track Kit

Contents: 1 track; 1 front plate; 1 back plate; 1 drawer guide; 2 side saddles; 1 set of installation hardware.

Description: White powder coated cylindrical track; white polyethylene guide and side saddles; plastic support brackets; stop notch prevents drawer from being accidentally pulled out.



R-7210 (16" Length)

R-7211 (18" Length)

R-7212 (20" Length)

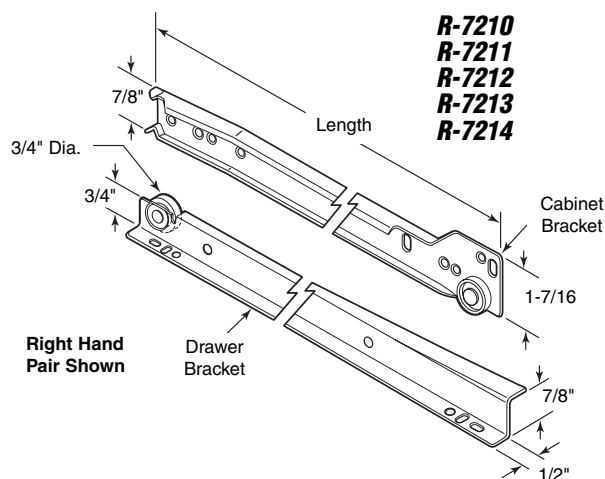
R-7213 (22" Length)

R-7214 (24" Length)

Drawer Slide Kit

Contents: 1 left hand pair; 1 right hand pair; 1 set of installation hardware.

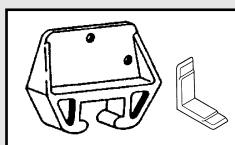
Description: Powder coated steel tracks with nylon rollers; positive stop in closed position; double stop in extended position locks drawer open; self-closing 2-1/2" from end; rollers are captive on one side to reduce side play; drawer lifts out for easy removal.



R-7082 (Carded)

CCSC-7156 (100 bulk)

CCBP-7156 (50 bulk)



Drawer Track Guide Kit

Contents: Carded - 2 guides; 4 side saddles; 1 set of installation fasteners.

Bulk - Guides only in display box.

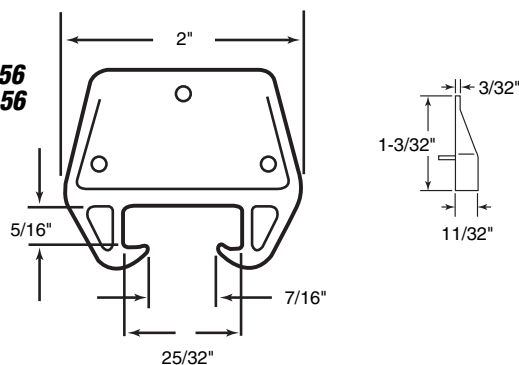
Description: Red polyethylene guide and white polyethylene side saddles; restores smooth operation of track mounted drawers.

Note: Fits a 9/32" x 3/4" track.

R-7082

CCSC-7156

CCBP-7156



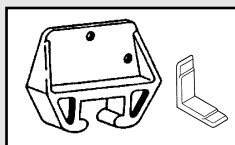
R-7223

Drawer Track Guide Kit

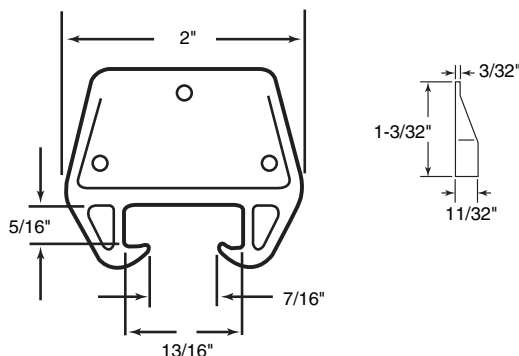
Contents: Carded- 2 guides; 4 side saddles; 2 sets of installation fasteners.

Description: White polyethylene guide with no back alignment tabs; white polyethylene side saddles; restores smooth operation of track mounted drawers.

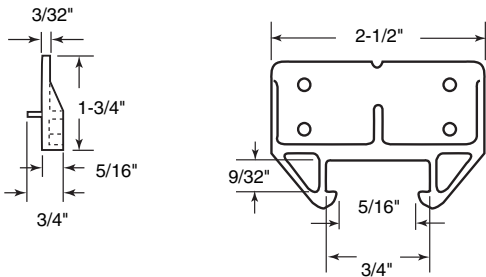
Note: Fits a 9/32" x 3/4" track.



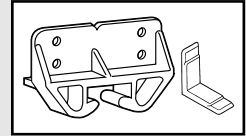
R-7223



R-7083
CCSC-7157
CCBP-7157



R-7083 (Carded)
CCSC-7157 (100 bulk)
CCBP-7157 (50 bulk)



Drawer Track Guide Kit

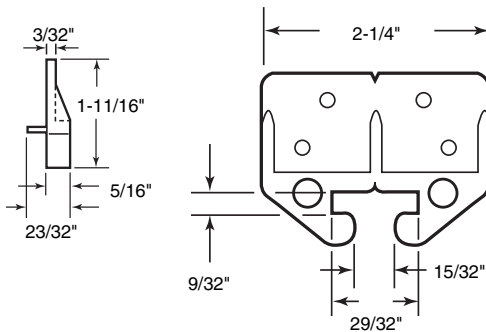
Contents: Carded - 2 guides; 4 side saddles; 1 set of installation fasteners.

Bulk - Guides only in display box.

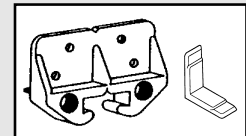
Description: Blue polyethylene guide and white polyethylene side saddles; restores smooth operation of track mounted drawers.

Note: Fits a 1/4" x 3/4" track.

R-7084
CCSC-7158
CCBP-7158



R-7084 (Carded)
CCSC-7158 (100 bulk)
CCBP-7158 (50 bulk)



Drawer Track Guide Kit

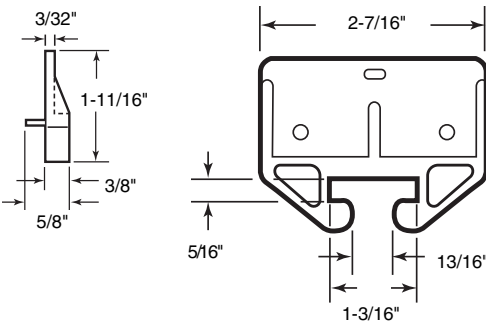
Contents: Carded - 2 guides; 4 side saddles; 1 set of installation fasteners.

Bulk - Guides only in display box.

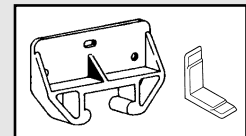
Description: Brown polyethylene guide and white polyethylene side saddles; restores smooth operation of track mounted drawers.

Note: Fits a 1/4" x 7/8" track.

R-7085
CCSC-7159
CCBP-7159



R-7085 (Carded)
CCSC-7159 (100 bulk)
CCBP-7159 (50 bulk)



Drawer Track Guide Kit

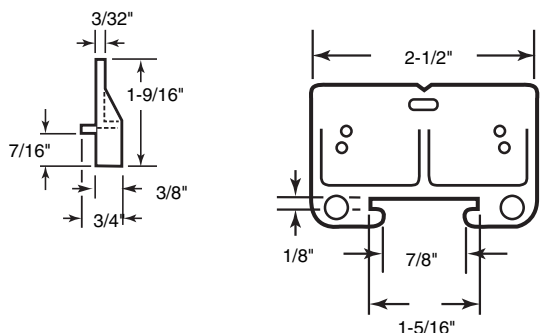
Contents: Carded - 2 guides; 4 side saddles; 1 set of installation fasteners.

Bulk - Guides only in display box.

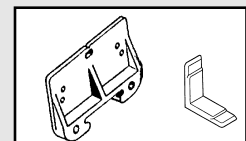
Description: Green polyethylene guide and white polyethylene side saddles; restores smooth operation of track mounted drawers.

Note: Fits a 9/32" x 1-1/8" track.

R-7128
CCSC-7192



R-7128 (Carded)
CCSC-7192 (100 bulk)



Drawer Track Guide Kit

Contents: Carded - 2 guides; 4 side saddles; 1 set of installation fasteners.

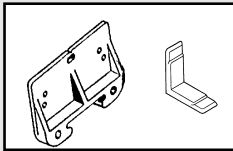
Bulk - Guides only in display box.

Description: White polyethylene guide and white polyethylene side saddles; restores smooth operation of track mounted drawers.

Note: Fits a 3/32" x 1-1/4" track.

Drawer and Cabinet Hardware

R-7130 (Carded)
CCSC-7168 (100 bulk)
CCBP-7168 (50 bulk)



Drawer Track Guide Kit

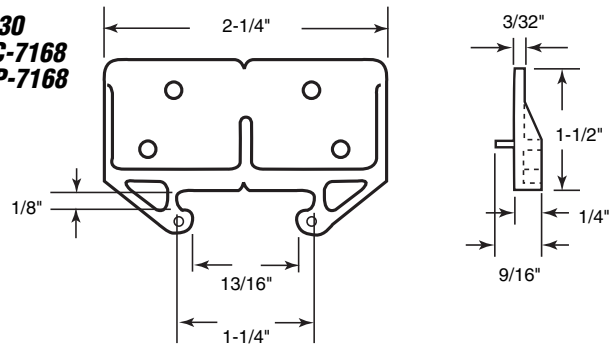
Contents: Carded - 2 guides; 4 side saddles; 1 set of installation fasteners.

Bulk - Guides only in display box.

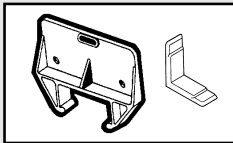
Description: White polyethylene guide and white polyethylene side saddles; restores smooth operation of track mounted drawers.

Note: Fits a 3/32" x 1-3/16" track.

R-7130
CCSC-7168
CCBP-7168



R-7152 (Carded)
CCSC-7161 (100 bulk)
CCBP-7161 (50 bulk)



Drawer Track Guide Kit

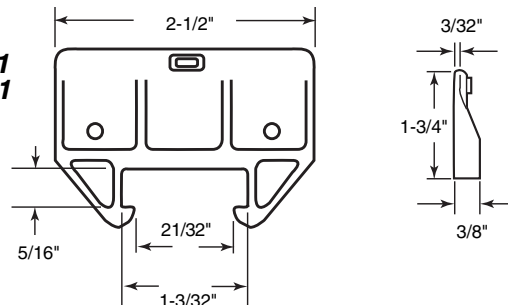
Contents: Carded - 2 guides; 4 side saddles; 1 set of installation fasteners.

Bulk - Guides only in display box.

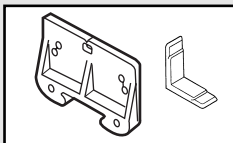
Description: Orange polyethylene guide and white polyethylene side saddles; restores smooth operation of track mounted drawers.

Note: Fits a 9/32" x 1-1/8" track.

R-7152
CCSC-7161
CCBP-7161



R-7154 (Carded)
CCSC-7162 (100 bulk)
CCBP-7162 (50 bulk)



Drawer Track Guide Kit

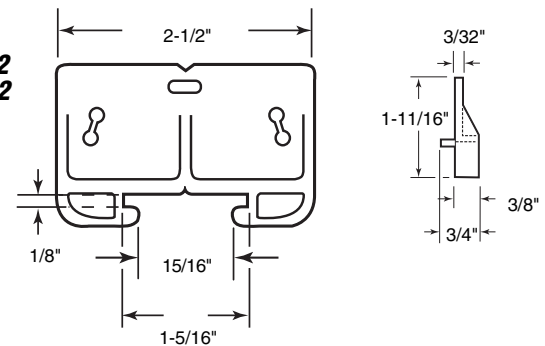
Contents: Carded - 2 guides; 4 side saddles; 1 set of installation fasteners.

Bulk - Guides only in display box.

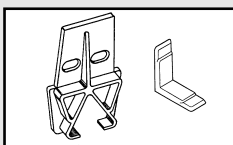
Description: White polyethylene guide and white polyethylene side saddles; restores smooth operation of track mounted drawers.

Note: Fits a 3/32" x 1-9/32" track.

R-7154
CCSC-7162
CCBP-7162



R-7142 (Carded)
CCSC-7170 (100 bulk)



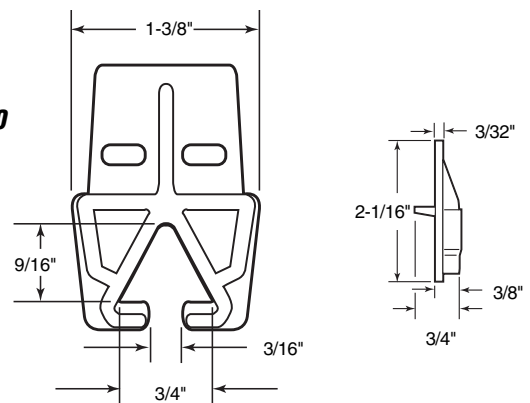
Drawer Track Guide Kit

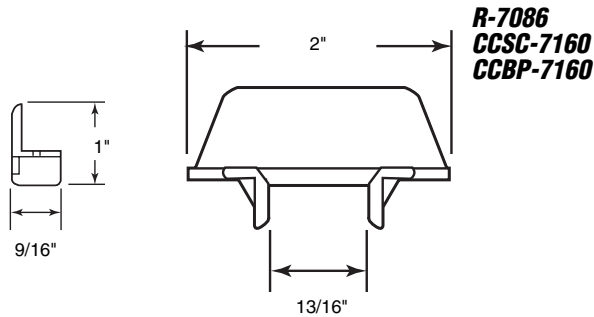
Contents: Carded - 2 guides; 4 side saddles; 1 set of installation fasteners.

Bulk - Guides only in display box.

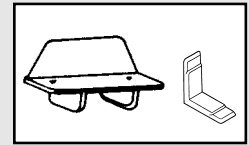
Description: White polyethylene guide and white polyethylene side saddles; restores smooth operation of track mounted drawers; frequently used on RV's and mobile homes.

R-7142
CCSC-7170





R-7086 (Carded)
CCSC-7160 (100 bulk)
CCBP-7160 (50 bulk)



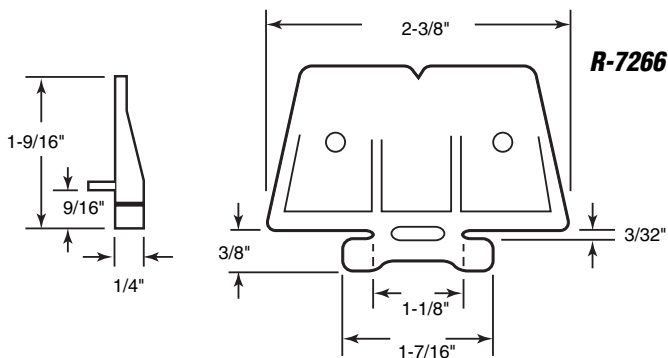
Drawer Track Guide Kit

Contents: Carded - 2 guides; 4 side saddles; 1 set of installation fasteners.

Bulk - Guides only in display box.

Description: White polyethylene guide and white polyethylene side saddles; restores smooth operation of track mounted drawers.

Note: Fits a 13/16" wide track.



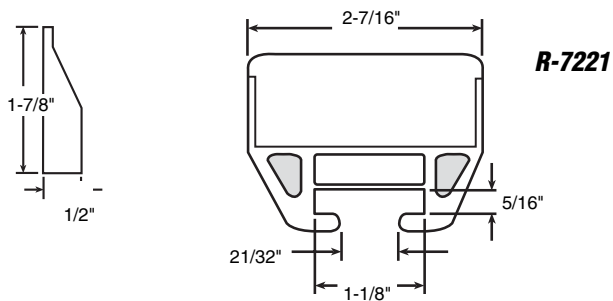
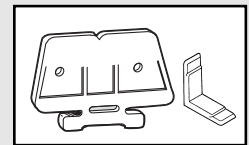
R-7266

Drawer Track Guide Kit

Contents: 2 guides; 4 side saddles; 2 sets of installation fasteners.

Description: White polyethylene guide and white polyethylene side saddles; restores smooth operation of track mounted drawers.

Note: Fits a 1-1/2" track opening.



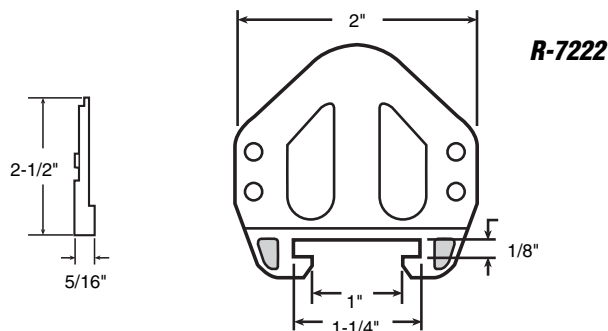
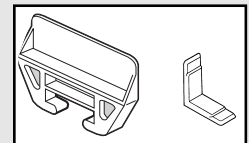
R-7221

Drawer Track Guide Kit

Contents: 2 guides; 4 side saddles; 1 set of installation fasteners.

Description: White polyethylene guide and white polyethylene side saddles; restores smooth operation of track mounted drawers.

Note: Fits a 9/32" x 1-3/32" wide track.



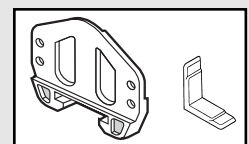
R-7222

Drawer Track Guide Kit

Contents: 2 guides; 4 side saddles; 2 sets of installation fasteners.

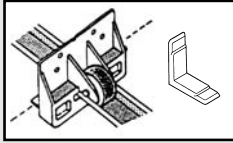
Description: White polyethylene guide and white polyethylene side saddles; restores smooth operation of track mounted drawers.

Note: Fits a 3/32" x 1-7/32" wide track.



R-7217

Drawer Track Guide Kit

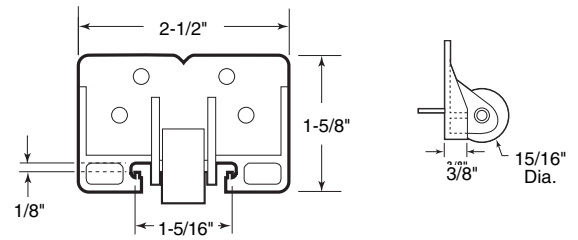


Contents: 2 roller assemblies; 4 side saddles; 2 sets of installation fasteners.

Description: White polyethylene guide with nylon roller; designed for use with rolled edge steel tracks.

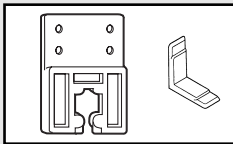
Note: Fits a 3/32" x 1-9/32" track.

R-7217



R-7234

Drawer Track Guide Kit



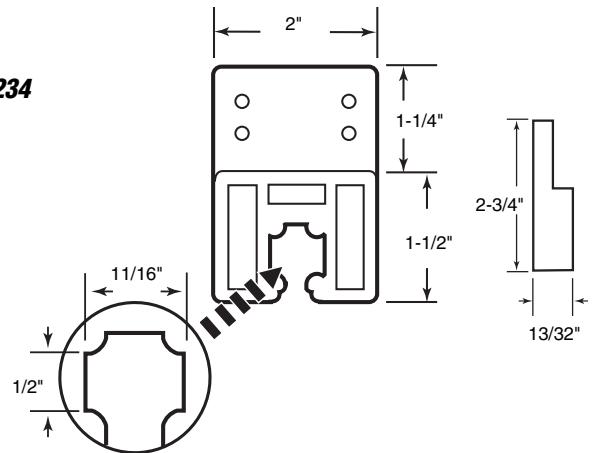
Contents: 2 guides; 4 side saddles; 2 sets of installation fasteners.

Description: White polyethylene guide with polyethylene side saddles; restores smooth operation of track mounted drawers.

Note: Fits a 5/8" diameter track.

You may wish to stock these related parts: R-7232, R-7233, R-7235.

R-7234



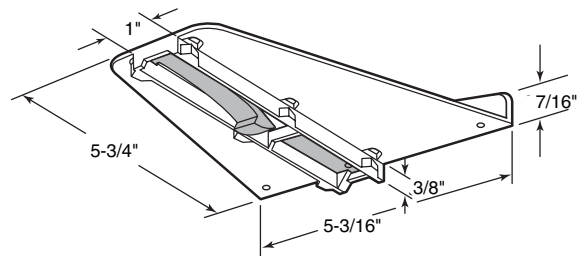
R-7260

Drawer Track Guide

Contents: 1 guide.

Description: White polyethylene; large bearing area for heavily loaded drawers; 6 point contact reduces lateral movement of drawer.

R-7260



R-7131 (Carded)

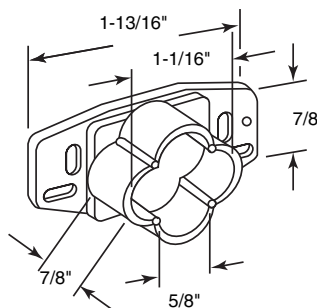
CCSC-7195 (100 bulk)

CCBP-7195 (50 bulk)

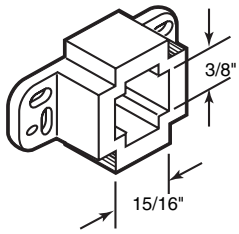
Drawer Track Back Plate

Contents: Carded - 1 backplate; 1 set of installation screws.
Bulk - Backplates only in display box.

Description: Polyethylene backplate can be mounted either horizontally or vertically; new style; used with Amerock tri-roller drawer slide track.

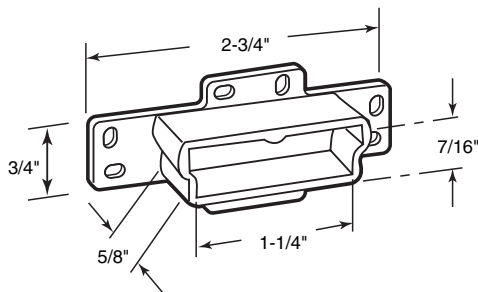
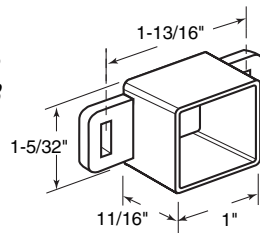


R-7131
CCSC-7195
CCBP-7195



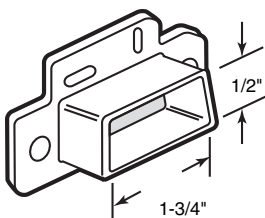
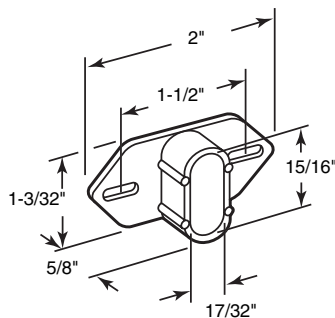
R-7261

R-7143
CCSC-7163
CCBP-7163



R-7133
CCSC-7169
CCBP-7169

R-7146



R-7241

R-7261

Drawer Track Back Plate

Contents: 1 backplate with installation screws.

Description: Polyethylene backplate can be mounted either horizontally or vertically; **old style**; used with **Amerock tri-roller drawer slide track**.

R-7143 (Carded)

CCSC-7163 (100 bulk)

CCBP-7163 (50 bulk)

Drawer Track Back Plate

Contents: Carded - 1 backplate; 1 set of installation screws.

Bulk - Backplates only in display box.

Description: Polyethylene; 1" square cavity allows self-alignment of center mounted drawer tracks.

R-7133 (Carded)

CCSC-7169 (100 bulk)

CCBP-7169 (50 bulk)

Drawer Track Back Plate

Contents: Carded-1 backplate; 1 set of installation screws.

Bulk - Backplates only in display box.

Description: White polyethylene backplates can be inverted for self-adjusting application; for use on rolled edge and other center mounted tracks.

You may wish to stock these related parts: **R-7125, R-7126, R-7130.**

R-7146

Drawer Track Back Plate

Contents: 2 backplates; 2 sets of installation screws.

Description: White polyethylene; for use on standard "C" shaped and other center mounted tracks.

You may wish to stock these related parts: **R-7123, R-7124, R-7194.**

R-7241

Drawer Track Back Plate

Contents: 2 backplates; 2 sets of installation screws.

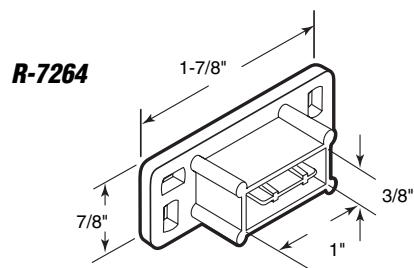
Description: White polyethylene; for use on center mounted drawer tracks.

R-7264

Drawer Track Back Plate

Contents: 2 backplates; 2 sets of installation screws.

Description: White polyethylene; for use on center mounted drawer tracks.



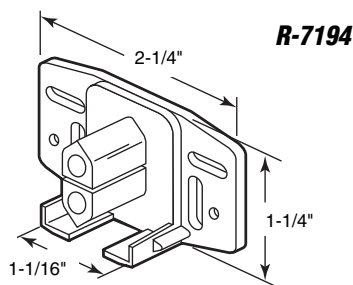
R-7194

Drawer Track Back Plate

Contents: 1 backplate; 1 set of installation screws.

Description: White polyethylene; used on "C" style center mounted tracks.

You may wish to stock these related parts: R-7123, R-7124, R-7146.



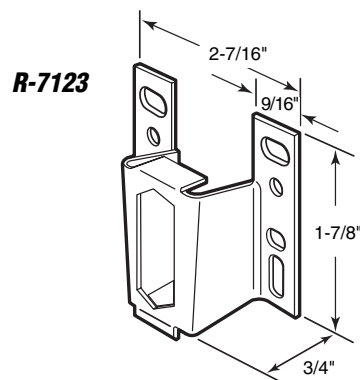
R-7123

Drawer Track Back Plate

Contents: 1 backplate; 1 set of installation screws.

Description: Galvanized steel; used on monorail "C" style drawer tracks.

You may wish to stock these related parts: R-7124, R-7146, R-7147.



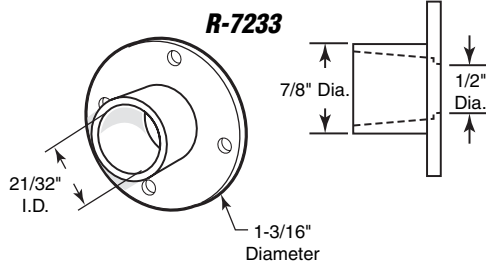
R-7233

Drawer Track Back Plate

Contents: 2 backplates; 2 sets of installation screws.

Description: Polyethylene; used with 5/8" cylindrical style center mounted drawer tracks.

You may wish to stock these related parts: R-7232, R-7234, R-7235.

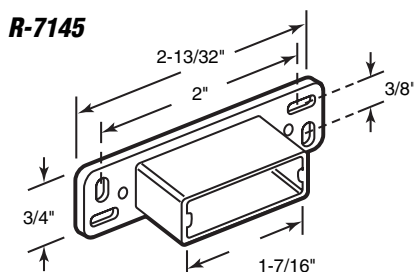


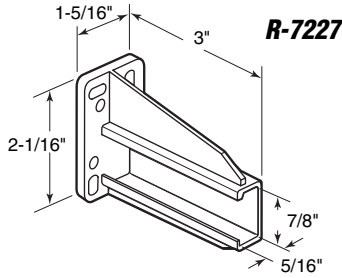
R-7145

Drawer Track Back Plate

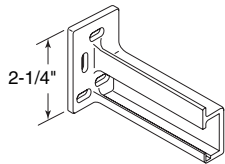
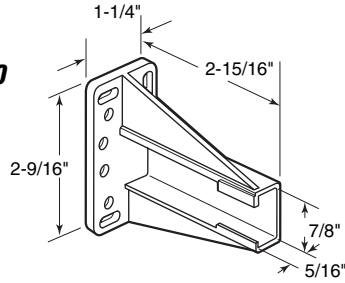
Contents: 2 backplates; 2 sets of installation screws.

Description: White polyethylene; reversible left or right; fits several side mounted drawer tracks.

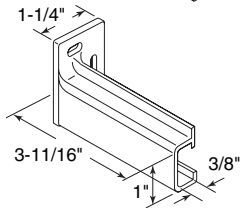




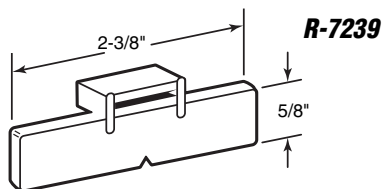
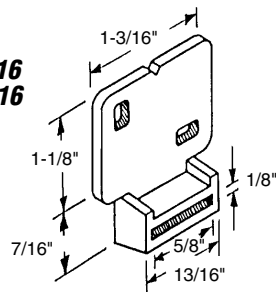
R-7240



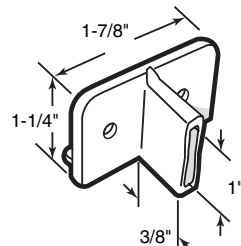
R-7265



**R-7126
CCSC-7216
CCBP-7216**



R-7232



R-7227

Drawer Track Back Plate

Contents: 1 left hand bracket; 1 right hand bracket; 2 sets of installation screws.

Description: White nylon; used on **side mounted** drawer track systems.

R-7240

Drawer Track Back Plate

Contents: 1 left hand bracket; 1 right hand bracket; 2 sets of installation screws.

Description: White nylon; 2-3/4" socket depth allows 2" of front to back adjustment of the rail; used on **side mounted** drawer track systems.

Note: Right side has a larger lip.

R-7265

Drawer Track Back Plate

Contents: 1 left hand bracket; 1 right hand bracket; 2 sets of installation screws.

Description: White nylon; socket depth allows for front to back adjustment of the rail; used on **side mounted** drawer track systems. **Note:** Old style (2-3/16" depth) replaced by deeper 3-11/16" by manufacturer.

R-7126 (Carded)

CCSC-7216 (100 bulk)

CCBP-7216 (50 bulk)

Drawer Track Front Plate

Contents: Carded- Front plate(s) with installation screws.

Bulk- Front plates only in display box.

Description: White nylon; supports front-end of drawer track; used on **rolled edge metal tracks** as shown in **R-7125**.

You may wish to stock these related parts: **R-7130, R-7133**.

R-7239

Drawer Track Front Plate

Contents: 2 front plates; 2 sets of installation screws.

Description: White nylon; supports front end of drawer track; designed for use on tracks with flat front tab.

R-7232

Drawer Track Front Plate

Contents: 2 front plates; 2 sets of installation screws.

Description: White nylon; supports front end of drawer track.

You may wish to stock these related parts: **R-7233, R-7234, R-7235**.

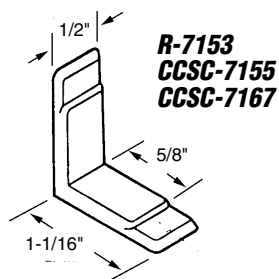
Drawer and Cabinet Hardware

R-7153 (Carded)
CCSC-7155 (Bulk)
CCSC-7167 (Poly-bagged)

Drawer Guide Side Saddles

Contents: Carded: 10 side saddles; 20 fasteners
 Bulk: 500 side saddles only in display box.
 Poly-bagged: 100 bags of 10 side saddles per bag in a display box.

Description: White polyethylene side saddles help to center drawer and restore smooth operation of track mounted drawers.

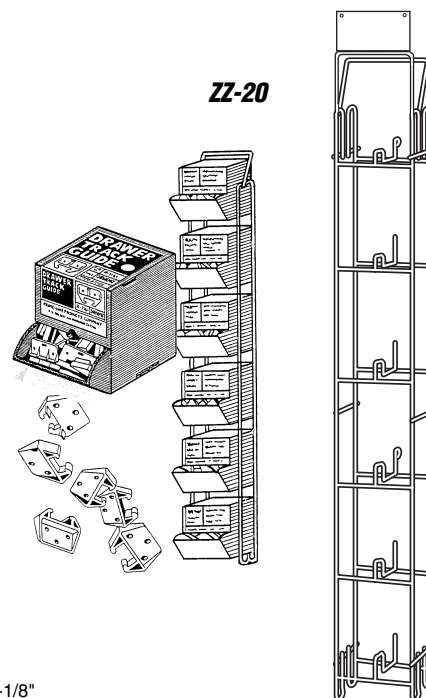


ZZ-20 Display Rack (Only)

Contents: 1 rack.

Description: Plated steel wire rack; used to display bulk guides in self-dispensing boxes; rack will accommodate (6) different products. Rack may be mounted to peg board or steel uprights; (pallet rack merchandising).

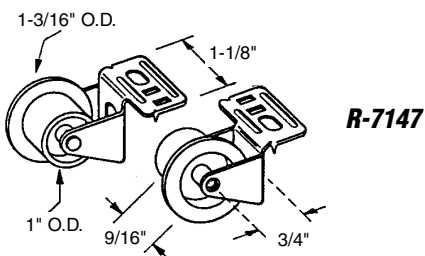
Call for
 Availability



R-7147 Drawer Guide Roller Assembly

Contents: 1 left hand roller; 1 right hand roller; 1 set of installation fasteners.

Description: Adjustable steel mounting bracket with nylon roller; provides alignment and superior glide action for track mounted drawers.



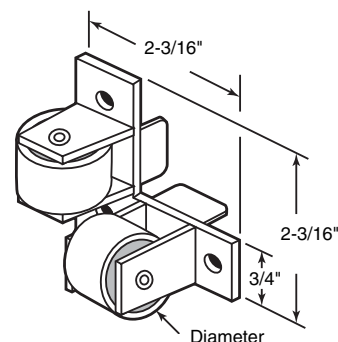
R-7218 (15/16" diameter rollers)
R-7219 (5/8" diameter rollers)

Drawer Guide Roller Assembly

Contents: 2 roller assemblies; 2 sets of installation screws.

Description: White nylon bracket and roller; side roller helps prevent drag; bottom roller allows drawer to slide easily.

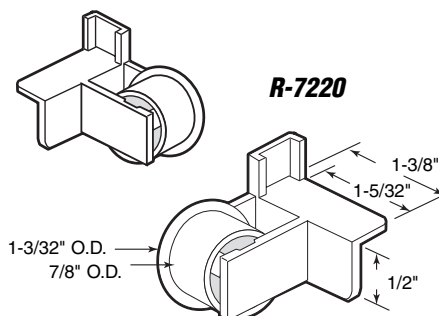
**R-7218
 R-7219**

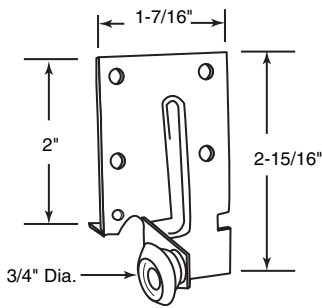


R-7220 Drawer Guide Roller Assembly

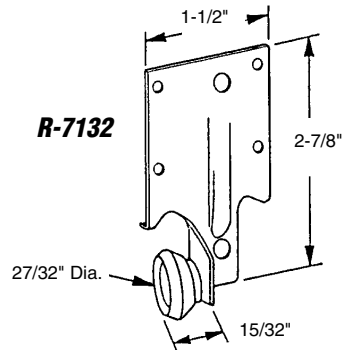
Contents: 1 left hand bracket; 1 right hand bracket; 1 set of installation fasteners.

Description: White nylon bracket and roller; helps to align and restore smooth operation of track mounted drawers.

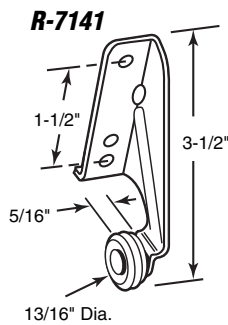




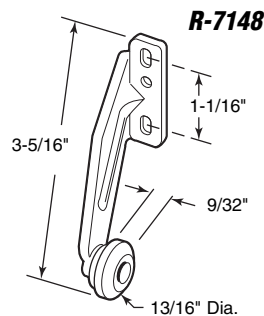
R-7124



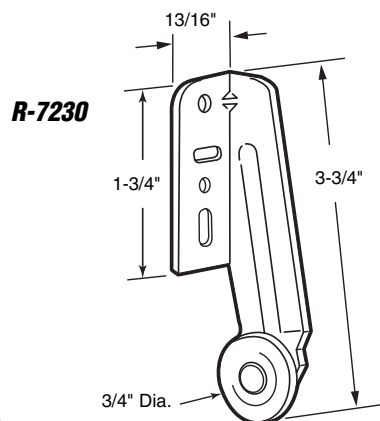
R-7132



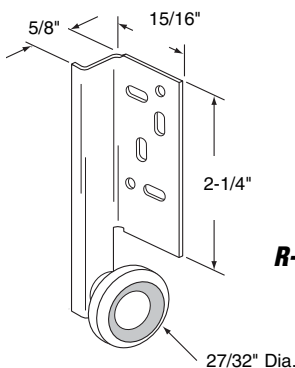
R-7141



R-7148



R-7230



R-7256

R-7124

Drawer Track Roller

Contents: 2 roller assemblies; 2 sets of installation screws.

Description: Steel bracket; convex nylon roller; mounts on rear of drawer; used on "old style" *Grace* drawer slide system.

R-7132

Drawer Track Roller

Contents: 2 roller assemblies; 2 sets of installation screws.

Description: Steel bracket; convex nylon roller; mounts on rear of drawer; used as center roller for monorail drawer slide systems.

R-7141 (Left hand)

R-7148 (Right hand)

Drawer Track Roller

Contents: 2 roller assemblies; 2 sets of installation screws.

Description: Steel bracket; convex nylon roller; mounts on rear of drawer; used as center roller for monorail drawer slide systems.

Note: Hand determined as viewed from rear of drawer.

R-7230

Drawer Track Roller

Contents: 2 roller assemblies; 2 sets of installation screws.

Description: Steel bracket; convex nylon roller; mounts on rear of drawer; used as center roller for monorail drawer slide systems.

R-7256

Drawer Track Roller

Contents: 2 roller assemblies; 2 sets of installation screws.

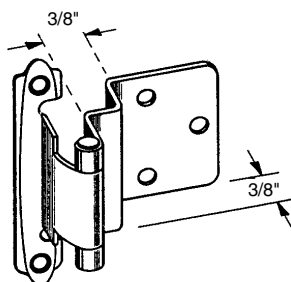
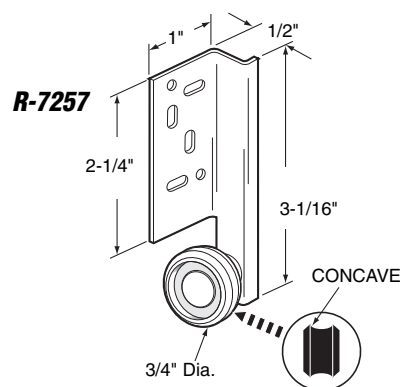
Description: Steel bracket; nylon roller; mounts on rear of drawer; used as center roller for monorail drawer slide systems.

R-7257

Drawer Track Roller

Contents: 2 roller assemblies; 2 sets of installation screws.

Description: Steel bracket; **concave nylon** roller; mounts on rear of drawer; used as center roller for monorail drawer slide systems.



CCEP-7203
CCEP-7134
CCEP-7204
CCEP-7205

CCEP-7203 (Brass finish)

CCEP-7134 (Antique brass finish)

CCEP-7204 (Chrome finish)

CCEP-7205 (White finish)

Cabinet Door Hinge (Self-closing)

Contents: 1 pair of hinges; 2 felt pads; 2 sets of installation screws.

Description: Semi-concealed **steel** hinge; spring loaded; used on **3/8" inset** cabinet doors.

Standard pack: 15 pairs (polybagged) in display box.

CCEP-7200 (Brass finish)

CCEP-7135 (Antique brass finish)

CCEP-7201 (Chrome finish)

CCEP-7202 (White finish)

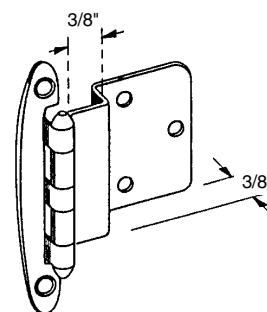
Cabinet Door Hinge (Non-self closing)

Contents: 1 pair of hinges; 2 felt pads; 2 sets of installation screws.

Description: Semi-concealed **steel** hinge; used on **3/8" inset** cabinet doors.

Standard pack: 20 pairs (polybagged) in display box.

CCEP-7200
CCEP-7135
CCEP-7201
CCEP-7202



CCEP-7206 (Brass finish)

CCEP-7136 (Antique brass finish)

CCEP-7207 (Chrome finish)

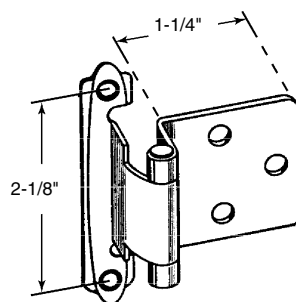
CCEP-7208 (White finish)

Cabinet Door Hinge (Self closing)

Contents: 1 pair of hinges; 2 felt pads; 2 sets of installation screws.

Description: Semi-concealed **steel** hinge; spring loaded; used on **overlay** cabinet doors.

Standard pack: 15 pairs (polybagged) in display box.



CCEP-7206
CCEP-7136
CCEP-7207
CCEP-7208

CCEP-7236 (Antique brass finish)

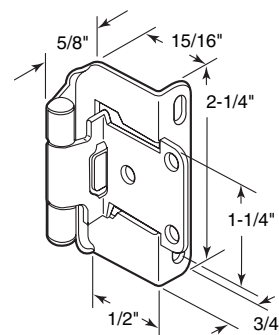
Cabinet Door Hinge (Self-closing)

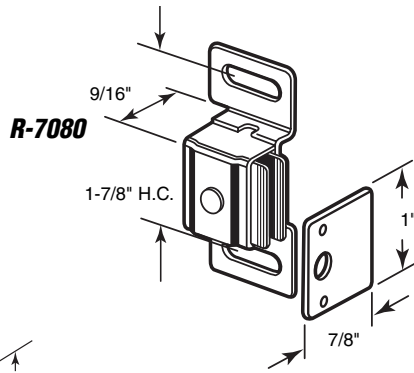
Contents: 1 pair of hinges; 2 felt pads; 2 sets of installation screws.

Description: Semi-concealed **steel** hinge; spring loaded; wrap around design; **vertically adjustable**; used on **overlay** doors.

Standard pack: 20 pairs (polybagged) in display box.

CCEP-7236





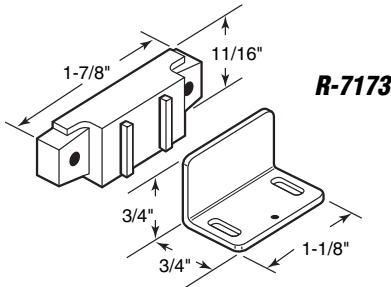
R-7080

R-7080

Magnetic Catch

Contents: 2 catches; 2 strike plates; 2 sets of installation screws.

Description: Zinc plated adjustable steel housing; steel strike plate; large magnet for extra holding power.



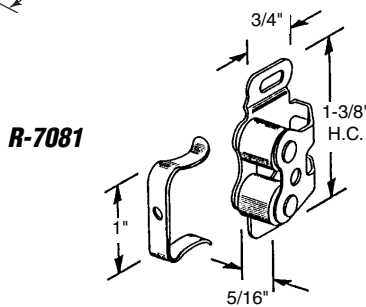
R-7173

R-7173

Magnetic Catch

Contents: 2 catches; 2 strike plates; 2 sets of installation screws.

Description: Heavy duty brown plastic housing; dual steel inserts; adjustable steel strike plate; frequently used in RV and mobile home cabinets.



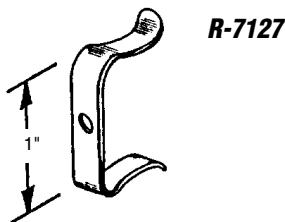
R-7081

R-7081

Dual Roller Catch

Contents: 3 catches; 3 clips; 3 sets of installation screws.

Description: Dual nylon rollers; plated steel housing and spring steel clip; used on cabinet, closet and compartment doors.



R-7127

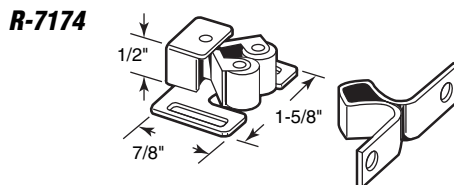
R-7127

Dual Roller Clip

Contents: 6 clips; 6 installation screws.

Description: Chrome plated spring steel clip.

Note: Replacement clip for Part No. R-7081.



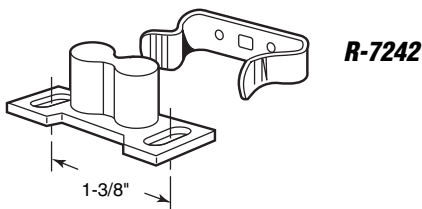
R-7174

R-7174 (Bronze finish)

Dual Roller Catch

Contents: 2 catches; 2 keepers; 2 sets of installation screws.

Description: Dual nylon rollers; adjustable steel housing; steel keeper; heavy duty spring loaded latching.



R-7242

R-7242

Friction Catch

Contents: 2 catches; 2 clips; 2 sets of installation screws.

Description: Double barrel white nylon catch; brass finish spring steel clip; adjustable; used on cabinet and compartment doors.

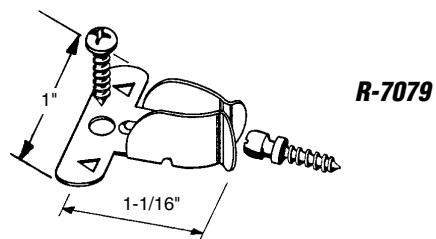
*Call for
Availability*

R-7079

Friction Catch

Contents: 3 catches; 3 ball head screws; 3 installation screws.

Description: Chrome plated spring steel catch; used on cabinet and compartment doors.



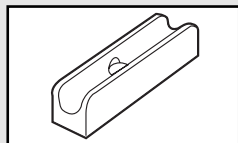
R-7245 (1/4" wide x 1" long)

R-7246 (3/8" wide x 1-3/8" long)

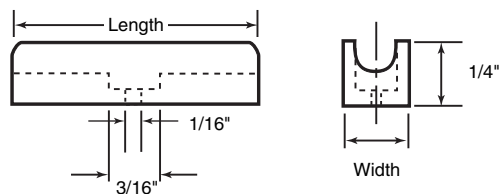
Door Glides

Contents: 2 glides.

Description: Nylon glides install on bottom of sliding cabinet doors; used in conjunction with plastic or wood track.



R-7245
R-7246



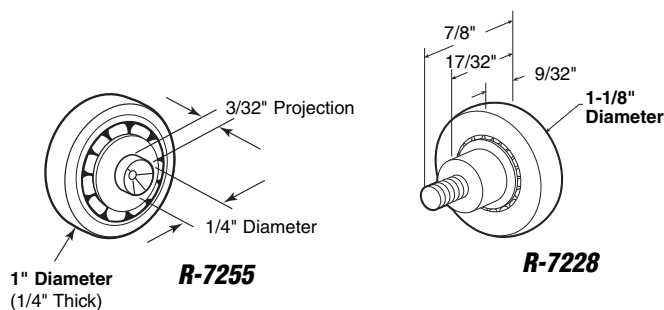
R-7228 (1/4" - 20 threaded steel axle)

R-7255 (Rivet style axle)

Drawer Slide Roller

Contents: 2 rollers.

Description: White nylon roller; steel ball bearing roller; replacement roller for metal drawer slide systems; frequently used on file cabinet drawer tracks.

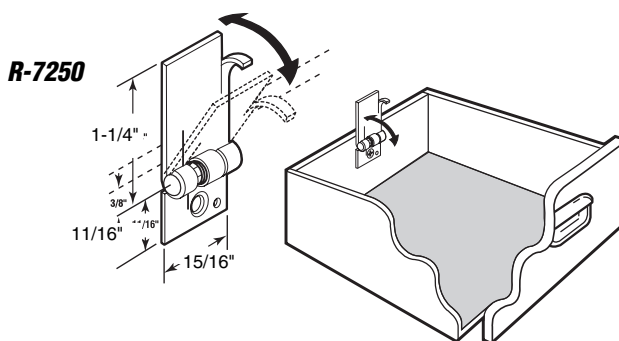


R-7250

Drawer Stop

Contents: 1 stop with installation screw and nail.

Description: Zinc plated steel hinge; spring loaded; prevents drawer from accidentally falling out of cabinet upon opening.



R-7076 (Brass finish)

R-7275 (Dull nickel finish)

Drawer & Cabinet Lock

Contents: 1 lock assembly; 2 keys; 1 set of installation screws.

Description: Diecast housing; keyed locking unit; requires a 7/8" hole for installation.

