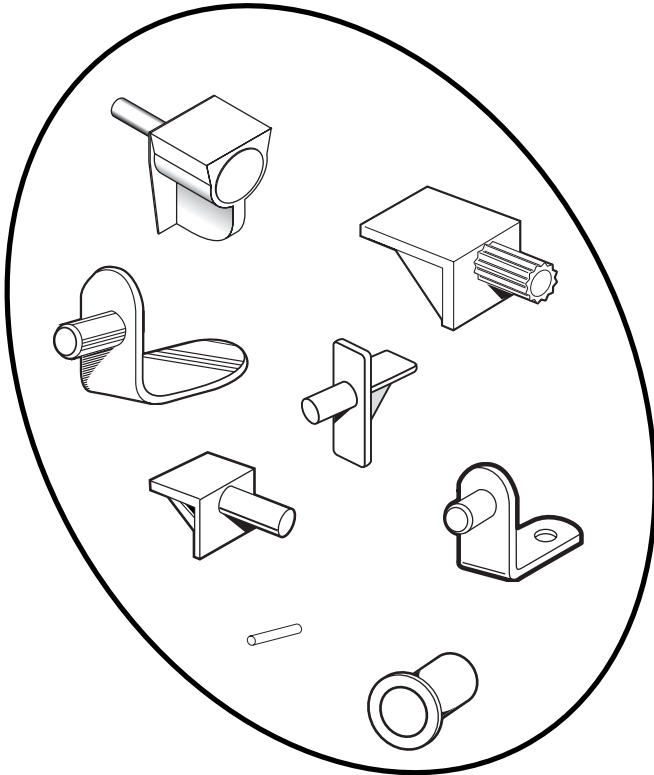


*The following pages include a comprehensive selection of shelf peg styles, colors, finishes and peg diameters.*

**Actual Peg Diameter**

- 3 mm (1/8" approx)
- 4 mm (5/32" approx)
- 5 mm (3/16" approx)
- 1/4"
- 7 mm (9/32" approx)



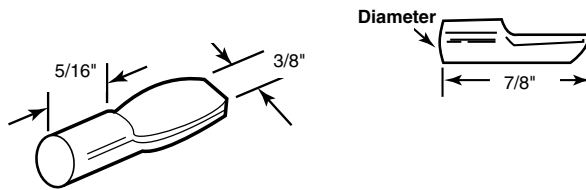
**Shelf Support Pegs (Metal)**

Contents: 8 pegs.

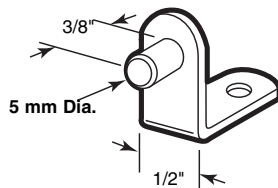
Peg Diameter	Finish (Part Number)		
	Brass	Nickel	Black
4 mm	U-9300	U-9301	---
5 mm	U-9335	U-9337	U-9336
1/4"	U-9116*	U-9150*	U-9350
7 mm	U-9347	U-9349	U-9348

**Description:** Spoon style support pegs frequently used in stereo and storage cabinets with glass shelving.

\*Econo-pack availability: Call for pack quantities.



**U-9149**  
**U-9293**



**U-9149** (Brass finish)\*

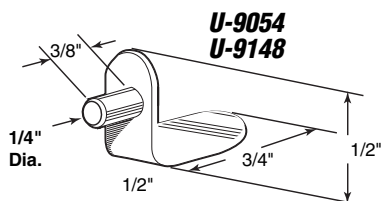
**U-9293** (Nickel finish)\*

**Shelf Support Pegs (Metal)**

Contents: 8 pegs.

**Description:** 5mm diameter peg; screw slot allows shelf to be fastened to peg; frequently used for heavily loaded shelves.

\*Econo-pack availability: Call for pack quantities.



**U-9054**  
**U-9148**

**U-9054** (Brass finish)\*

**U-9148** (Nickel finish)\*

**Shelf Support Peg (Metal)**

Contents: 8 pegs.

**Description:** 1/4" diameter peg; used in stereo and storage cabinets.

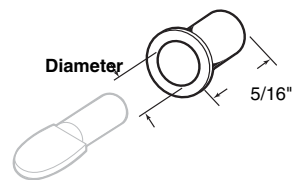
\*Econo-pack availability: Call for pack quantities.

## Peg Grommet (Steel)

Contents: 12 pegs.

Peg Diameter	Finish (Part Number)		
	Brass	Black	Nickel
5 mm	U-9354	U-9355	U-9356
1/4"	U-9351	U-9352	U-9353
7 mm	U-9357	U-9358	U-9359

**Description:** Plated steel grommets provide extra strength to shelf support pegs.



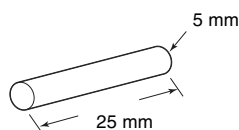
**U-9345** (Brass finish)

**U-9346** (Nickel finish)

## Shelf Support Peg (Steel)

Contents: 12 pegs.

**Description:** Steel support peg; may be used with peg grommets.



**U-9345**  
**U-9346**

**U-9294** (Nickel finish)\*

**U-9295** (Brass finish)\*

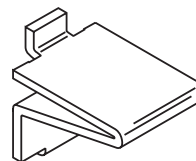
## Shelf Bracket (Steel)

Contents: 12 brackets.

**Description:** Metal brackets fits *Knape & Vogt* and other shelf support systems; designed for use with pilaster style standards.

\*Econo-pack availability: Call for pack quantities.

**U-9294**  
**U-9295**

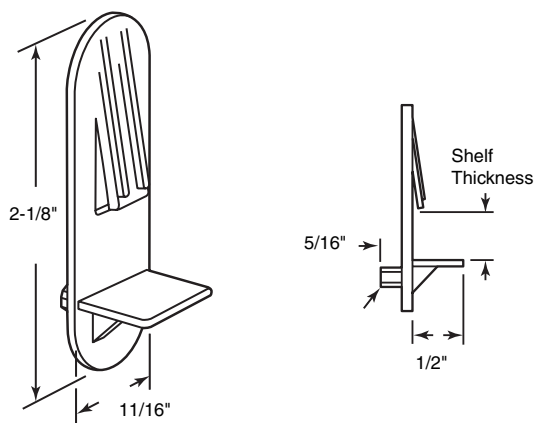


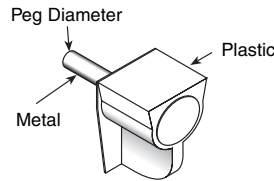
## Shelf Support Peg (Plastic)

Contents: 6 pegs.

Peg Diameter	Shelf Thickness	Color	Part No.
5 mm	1/2"	Black	U-9388
5 mm	1/2"	Clear	U-9389
5 mm	5/8"	Brown	U-9392
5 mm	5/8"	Clear	U-9393
5 mm	3/4"	Brown	U-9396
5 mm	3/4"	Clear	U-9397
1/4"	1/2"	Brown	U-9390
1/4"	1/2"	Clear	U-9391
1/4"	5/8"	Brown	U-9394
1/4"	5/8"	Clear	U-9395
1/4"	3/4"	Brown	U-9117
1/4"	3/4"	Clear	U-9398

**Description:** Self-locking shelf supports hold wood shelving securely in place.





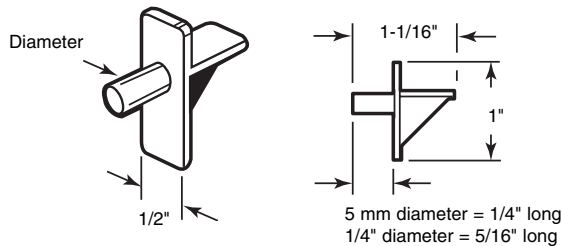
## Shelf Support Peg (Plastic with steel peg)

Contents: 8 pegs.

Peg Diameter	Color (Part Number)		
	Clear	Brown	White
3 mm	U-9302	U-9303	U-9304
5 mm	U-9292*	U-9277	U-9187*

**Description:** Plastic shelf support with steel peg provides added strength.

\*Econo-pack availability: Call for pack quantities.



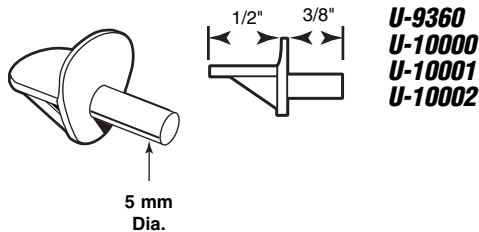
## Shelf Support Pegs (Plastic)

Contents: 12 pegs.

Peg Diameter	Color (Part Number)				
	Brown	Clear	White	Almond	Beige
5 mm	U-9381	U-9384	U-9383	U-9382	---
1/4"	U-9001*	U-9147*	U-9188*	U-9296*	U-9258

**Description:** Plastic construction; used to mount shelving in cabinets and storage compartments.

\*Econo-pack availability: Call for pack quantities.

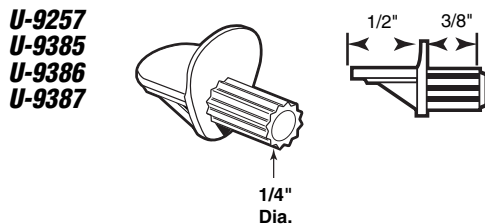


- U-9360** (Clear)
- U-10000** (Brown)
- U-10001** (White)
- U-10002** (Almond)

## "Mini" Shelf Support Peg (Plastic)

Contents: 12 pegs.

**Description:** "Mini" style shelf support pegs frequently used in stereo and display cabinets.



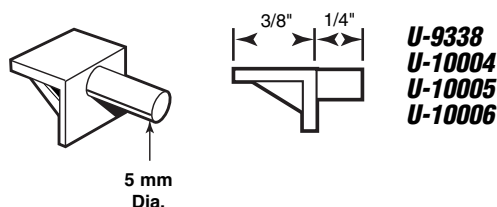
- U-9257** (Clear)\*
- U-9385** (Brown)
- U-9386** (Almond)
- U-9387** (White)

## "Mini" Shelf Support Peg (Plastic)

Contents: 12 pegs.

**Description:** "Mini" style shelf support pegs frequently used in stereo and display cabinets.

\*Econo-pack availability: Call for pack quantities.



- U-9338** (White)
- U-10004** (Brown)
- U-10005** (Clear)
- U-10006** (Almond)

## "Mini" Shelf Support Peg (Plastic)

Contents: 12 pegs.

**Description:** "Mini" style shelf support pegs frequently used in stereo and display cabinets.

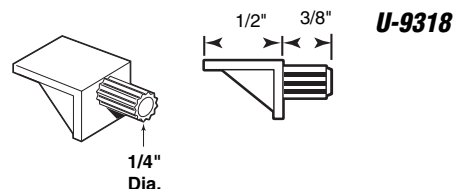
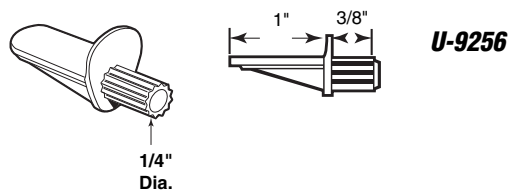
## U-9256 U-9318\*

### Shelf Support Pegs (Plastic)

**Contents:** 12 pegs.

**Description:** Clear plastic pegs; used to support cabinet shelves.

\*Econo-pack availability: Call for pack quantities.



### Shelf Peg Hole Plugs

**Contents:** 48 plugs.

#### Color (Part Number)

Hole Size	White	Beige	Brown
5 mm	U-10033	U-10034	U-10035
1/4"	U-10039	U-10040	U-10041

**Description:** Plastic plugs; used to plug 5 mm and 1/4" shelf peg holes in cabinetry, where a finished look is desirable; colors blend with a variety of finishes.

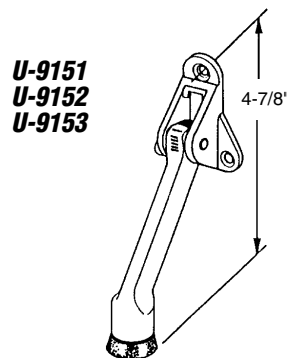


## U-9151 (Chrome finish) U-9152 (Bronze finish) U-9153 (Brass finish)

### Door Holder

**Contents:** 1 holder; 1 set of installation screws.

**Description:** Zinc diecast holder with rubber tip; spring loaded to hold in "up" position; good for commercial applications.

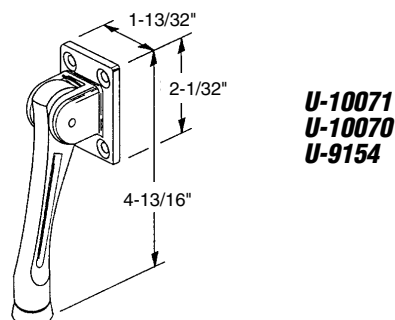


## U-10071 (Brass finish) U-10070 (Bronze finish) U-9154 (Chrome finish)

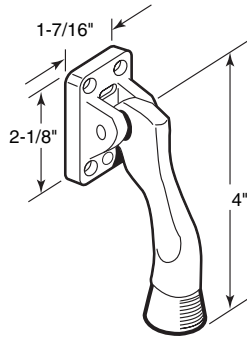
### Door Holder

**Contents:** 1 holder; 1 set of installation screws.

**Description:** Heavy duty diecast stop with rubber tip; 4 hole mounting; spring loaded; for commercial and residential applications.



**U-9219**  
**U-9220**



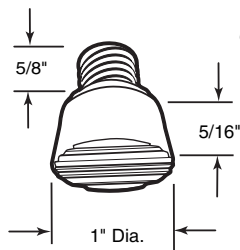
**U-9219** (Aluminum finish)  
**U-9220** (Bronze finish)

**Door Holder**

**Contents:** 1 holder; 1 set of installation screws.

**Description:** Heavy cast iron; spring loaded holder with 4 hole mounting; rubber tip; for commercial use.

**U-9162**

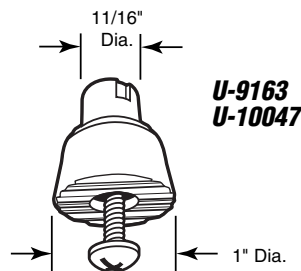


**U-9162** (Black twist-in)  
**U-9163** (Black with screw)  
**U-10047** (White with screw)

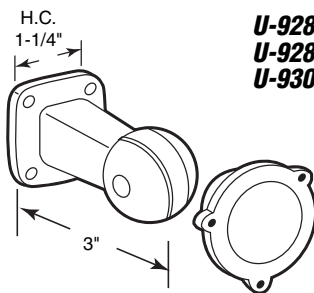
**Door Holder Tip**

**Contents:** 2 rubber tips.

**Description:** Replaces worn out tips on drop down door holders.



**U-9280**  
**U-9281**  
**U-9307**



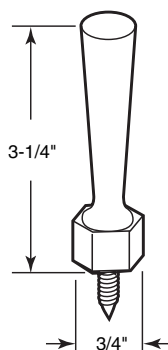
**U-9280** (Ivory)  
**U-9281** (Brown)  
**U-9307** (White)

**Magnetic Door Holder**

**Contents:** 1 holder; 1 retainer; 1 set of installation screws.

**Description:** Plastic housing with magnetic insert; may be wall or floor mounted; spring loaded retainer mounts to door.

**U-9142**  
**U-9143**  
**U-9266**



**U-9142** (Ivory)  
**U-9143** (Brown)  
**U-9266** (White)

**Door Stop**

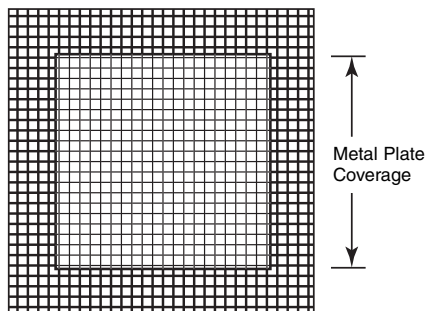
**Contents:** 3 door stops.

**Description:** Flexible vinyl stop with steel screw insert; prevents door handle from hitting wall. This unique one-piece construction is commonly used where children or infants play; proven to be much safer than standard spring actuated stops with plastic tips.

## "Patch-It" Drywall Repair

Part no.	Coverage	Contents
U-9313	2" x 2"	1 pc.
U-9282	4" x 4"	1 pc.
U-9283	6" x 6"	1 pc.
U-9284	8" x 8"	1 pc.

**Description:** Metal plate filler; rust proof; self-adhesive; fiberglass mesh surface improves plaster adhesion; used to repair holes in drywall.

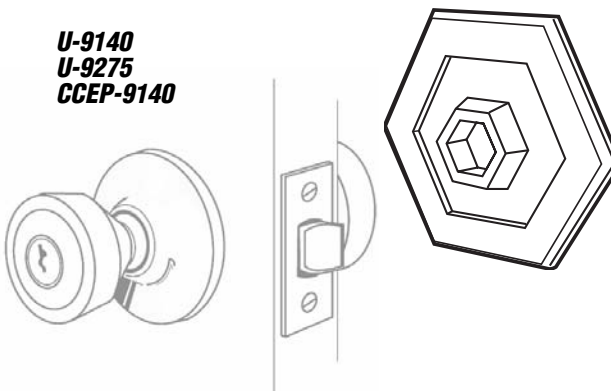


**U-9140** (Ivory)  
**U-9275** (White)  
**CCEP-9140** (Ivory - bulk: 40 per box)

## Wall Protector (5" hexagon)

**Contents:** 1 shield

**Description:** Flexible vinyl; self-adhesive; paintable; protects interior walls from impact damage by shielding contact point of wall and door knob; repairs damaged walls.



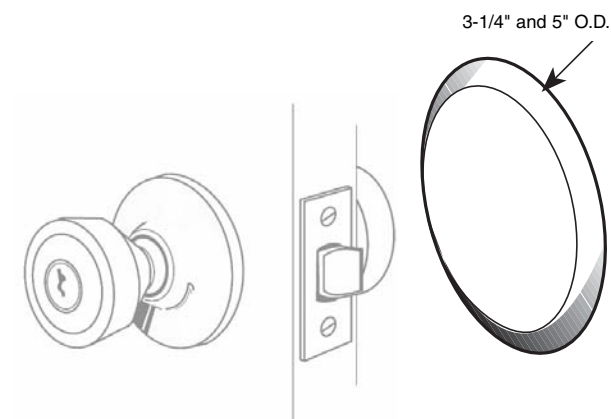
## Wall Protector

**Contents:** 1 shield.

Diameter	Textured Surface		Smooth Surface	
	Ivory	White	Ivory	White
3-1/4"	U-9185*	U-9243	U-9267	U-9270
5"	U-9186*	U-9244	U-9268	U-9271

**Description:** Rigid vinyl; self adhesive; protects interior walls from impact damage by shielding contact point of wall and door knob; repairs damaged walls.

\*Bulk: CCEP-9185 - 100 per box.  
 CCEP-9186 - 50 per box.

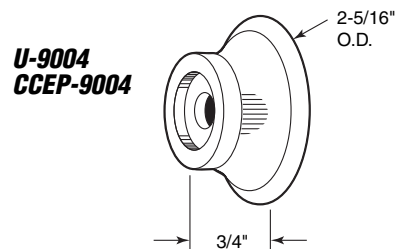


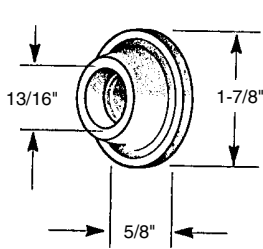
**U-9004** (Clear - carded)  
**CCEP-9004** (Clear - bulk - 40 per box)

## Door Bumper

**Contents:** 2 door stops; 2 no. 6 x 1-1/4" Phillips pan head sheet metal screws; 2 no. 6 x 1" plastic anchors.

**Description:** Clear soft vinyl; protects against marred walls; absorbs impact of door knob at contact point with wall; easily detached from wall by removing screw. Clear plastic construction is unassuming and allows paint colors or wall paper design to show through.





**U-9029**  
**U-9032**

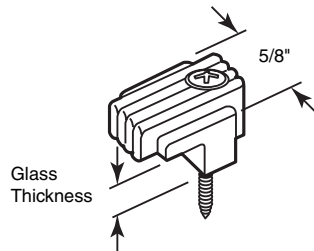
**U-9029** (White)  
**U-9032** (Gray)

**Door Bumper**

**Contents:** 2 bumpers.

**Description:** Solid rubber; concave center; self-adhesive; absorbs impact of door knob at contact point with wall.

**U-9002**  
**U-9003**  
**CCEP-9003**  
**CCSC-9003**

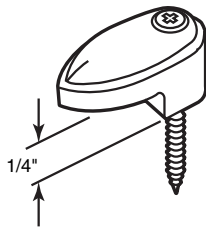


**U-9002** (1/8" glass - carded)  
**U-9003** (1/4" glass - carded)  
**CCEP-9003** (1/4" glass - bulk - 6 per bag - 100 bags/box)  
**CCSC-9003** (1/4" glass - bulk - 6 per bag - 50 bags/box)

**Mirror Clip**

**Contents:** 6 clips; 6 no. 6 x 1-1/4" Phillips flat head sheet metal screws; 6 no. 6 x 1" plastic anchors.

**Description:** Clear plastic clips fit 1/8" or 1/4" thick mirror glass; conventional design.



**U-9137**

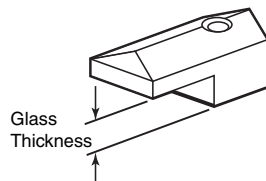
**U-9137** (1/4" glass)

**Mirror Clip**

**Contents:** 6 clips; 6 no. 6 x 1-1/4" Phillips flat head sheet metal screws; 6 no. 6 x 1" plastic anchors.

**Description:** Clear plastic clips fit 1/4" thick mirror glass; decorator design.

**U-9276**  
**U-9278**



**U-9276** (1/8" glass)  
**U-9278** (1/4" glass)

**Mirror Clip**

**Contents:** 6 clips; 6 no. 6 x 1-1/4" Phillips flat head sheet metal screws; 6 no. 6 x 1" plastic anchors.

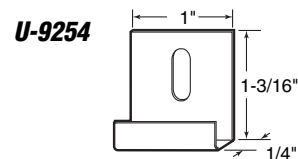
**Description:** Clear plastic clips fit 1/8" or 1/4" thick mirror glass; contemporary design.

## U-9254 (1/4" glass)

### Mirror Hanger

**Contents:** 6 hangers; 6 installation screws.

**Description:** Stainless steel hangers; designed to hold mirror securely to wall; use at top and bottom of mirror; slot allows 1/2" of adjustment for ease of installation.

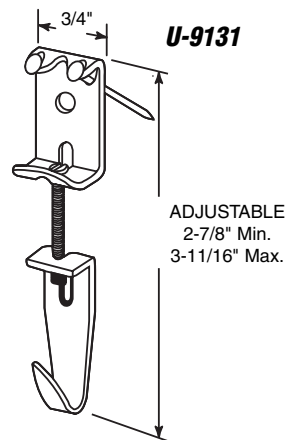


## U-9131

### Picture and Mirror Hanger Assembly

**Contents:** 2 hangers; 4 nails.

**Description:** Heavy duty steel hanger assembly consists of 1 fixed bracket and 1 adjustable bracket; allows 1" of vertical adjustment.

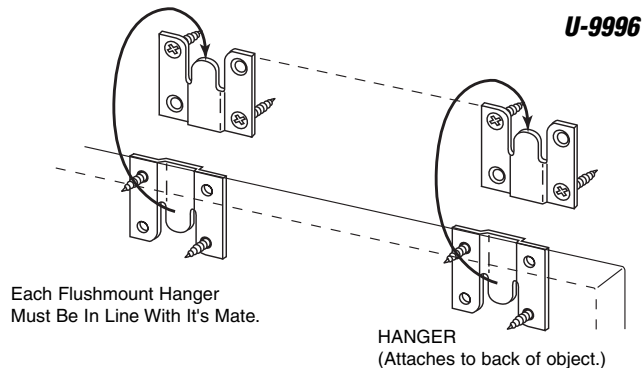


## U-9996

### Picture and Mirror Hanger Assembly

**Contents:** 2 sets; 2 sets of installation screws.

**Description:** Steel hangers designed for flush mount applications; each pair consists of one wall bracket and one frame bracket.



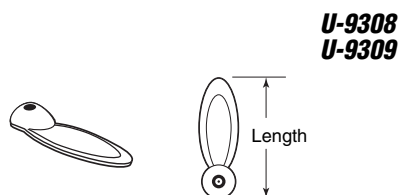
## U-9308 (3/4" length)

## U-9309 (1" length)

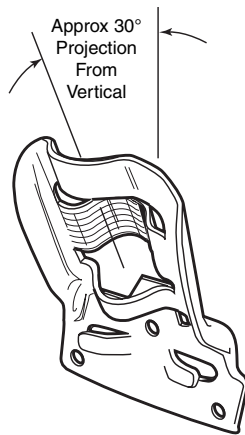
### Picture Retainer Clips

**Contents:** 8 clips with nails.

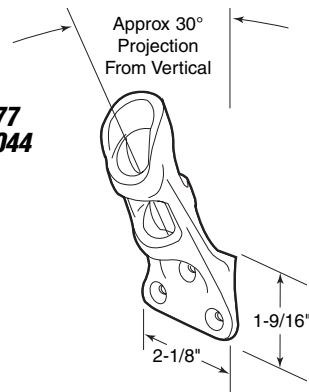
**Description:** Metal clips installed on back of picture frame; secures matting, art and backing in position.







**U-9377**  
**U-10044**



**Banner and Flag Pole Holders (Steel)**

**Contents:** 1 holder; 1 set of installation screws.

**Finish (Part Number)**

<b>Pole Diameter</b>	<b>Clear Zinc Plated</b>	<b>Brass Plated</b>	<b>White Painted</b>
3/4"	U-9378	U-10042	U-9379
1"	U-10020	U-10043	U-10021

**Description:** Sturdy painted or plated steel construction; weather resistant; 30° projection from vertical.

*Call for Availability*

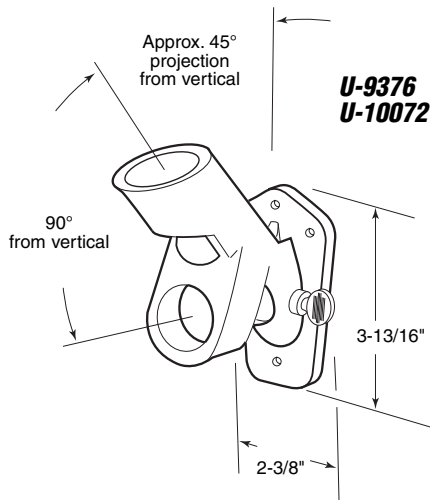
**U-9377** (Mill finish)  
**U-10044** (White painted)

**Flag Pole Holder (Cast aluminum)**

**Contents:** 1 holder; 1 set of installation fasteners.

**Description:** Rustproof; holds poles up to 3/4" diameter; 30° projection from vertical.

*Call for Availability*



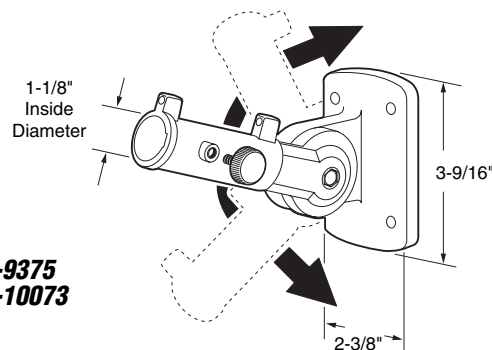
**U-9376**  
**U-10072**

**U-9376** (Off-white)  
**U-10072** (Brown)

**Banner and Flag Pole Holder (Heavy duty plastic)**

**Contents:** 1 holder with set screws; 1 set of installation fasteners.

**Description:** 45° and 90° projections from vertical; holds poles up to 1-1/8" diameter; thumbscrews secure pole to holder; sturdy support base.



**U-9375**  
**U-10073**

**U-9375** (Off-white)  
**U-10073** (Brown)

**Banner and Flag Pole Holder (Deluxe plastic)**

**Contents:** 1 holder with set screws; 1 set of installation fasteners.

**Description:** Fully adjustable angle settings; holds pole up to 1-1/8" diameter and windsock rods up to 1/4" diameter; knurled head thumbscrew secures pole to holder.

*Call for Availability*

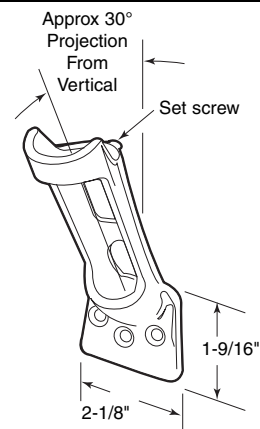
**U-9380** (1" pole)  
**U-10074** (3/4" pole)

## Flag Pole Holder (Polished brass)

**Contents:** 1 holder; 1 set of installation fasteners.

**Description:** Solid brass; holds 3/4" or 1" diameter poles; supports up to 95 lbs per unit. Very attractive, upscale holder.

**U-9380**  
**U-10074**

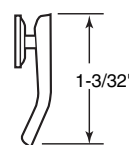


**U-9016**

## Drapery Track Carrier

**Contents:** 12 carriers.

**Description:** Nylon drapery carrier fits most standard "C" style tracks.



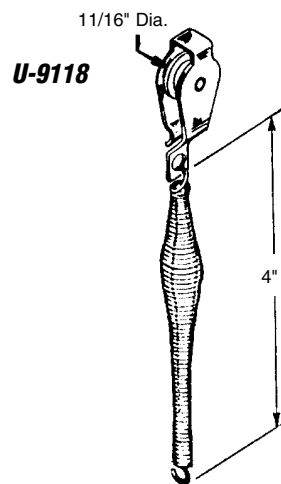
**U-9016**

**U-9118** (Plated steel housing)  
**U-9252** (White plastic housing)

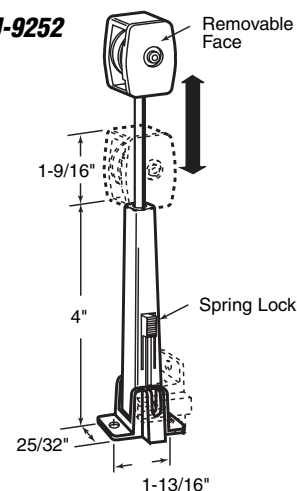
## Drapery Cord Tension Spring & Pulley

**Contents:** 2 pulley assemblies; 2 no. 8 x 1-1/2" Phillips pan head sheet metal screws.

**Description:** Spring loaded assembly; nylon roller; provides proper cord tension.



**U-9252**



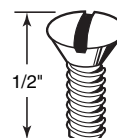
**U-9015** (Ivory Head)  
**U-9191** (White Head)  
**U-9316** (Nickel Plated)

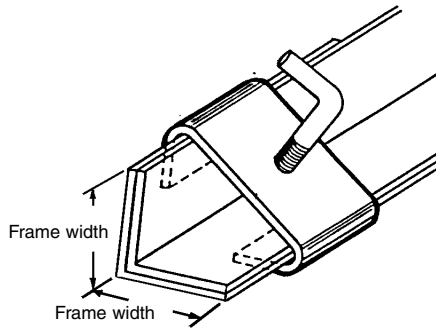
## Cover Plate Screw (No. 6-32 x 1/2")

**Contents:** 100 screws per poly bag.

**Description:** Metal machine screw designed for plug and switch cover plate attachment. Painted screw head surfaces to match cover plates.

**U-9015**  
**U-9191**  
**U-9316**





**U-9005**  
**U-9013**  
**U-9006**  
**U-9014**

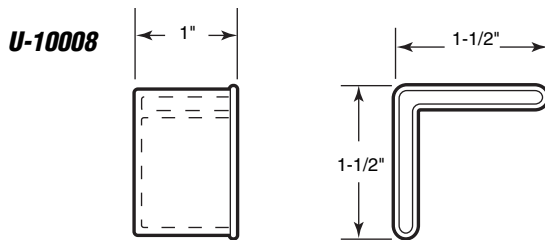
**U-9005** (1" frame width - carded)  
**U-9013** (1" frame width - bulk)  
**U-9006** (1-1/4" frame width - carded)  
**U-9014** (1-1/4" frame width - bulk)

**Bed Frame Rail Clamps**

**Contents:** Carded- 2 per package  
 Bulk- 50 pcs. in self-dispensing box.

**Description:** Heavy gauge **steel** bracket; **zinc plated**; used to secure bed frame meeting rails.

You may also wish to stock these related parts: **U-10008**.



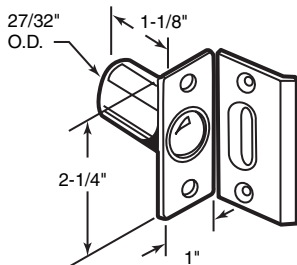
**U-10008**

**Bed Rail End Cap** (Brown)

**Contents:** 4 end caps.

**Description:** **Plastic** end caps install on end of bed frame rail.

You may also wish to stock these related parts: **U-9005**; **U-9006**.



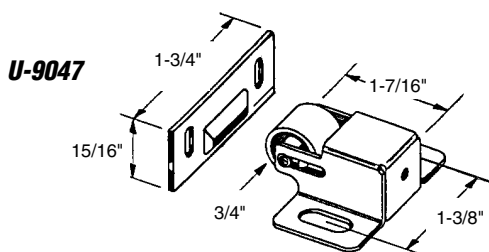
**U-9132**

**U-9132** (Brass finish)

**Bullet Catch**

**Contents:** 1 catch; 1 strike; 1 set of installation screws.

**Description:** Heavy duty **plated diecast** bullet catch with **plated steel** strike; designed for use on interior closet and utility doors.



**U-9047**

**U-9047** (Brass finish)

**Roller Catch**

**Contents:** 1 catch; 1 strike; 1 set of installation screws.

**Description:** **Plated steel** housing and strike; spring loaded **nylon roller**; designed for use on interior closet and cabinet doors.

## House Numbers (4-1/4")

**Contents:** 10 numbers with nails (Bulk Pack).

Number	Finish (Part Number)	
	Black	Brass
0	S-4110	S-4280
1	S-4111	S-4281
2	S-4112	S-4282
3	S-4113	S-4283
4	S-4114	S-4284
5	S-4115	S-4285
6	S-4116	S-4286
7	S-4117	S-4287
8	S-4118	S-4288
9	S-4119	S-4289

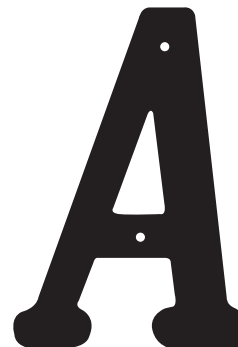
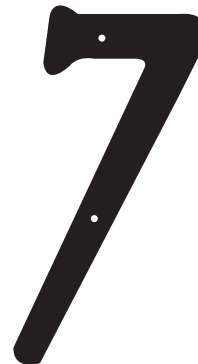
**Description:** Painted and plated diecast construction; corrosion resistant; 4-1/4" tall for easy visibility. Each number is individually poly-bagged.

## House Letters (4-1/4")

**Contents:** 10 letters with nails (Bulk Pack).

Letter	Finish (Part Number)	
	Black	Brass
A	S-4106	S-4292
B	S-4107	S-4293
C	S-4108	S-4294
D	S-4109	S-4295
E	S-4291	S-4296
F	S-4248	S-4252

**Description:** Painted and plated diecast construction; corrosion resistant; 4-1/4" tall for easy visibility. Each letter is individually poly-bagged.

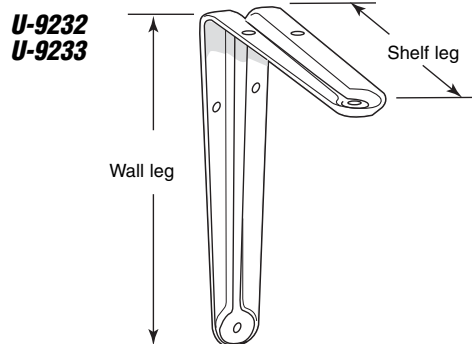


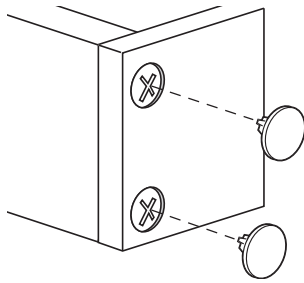
**U-9232** (6" shelf leg x 8" wall leg)  
**U-9233** (10" shelf leg x 12" wall leg)

## Shelf Bracket

**Contents:** 10 brackets (Bulk).

**Description:** Painted gray steel shelf bracket can be used as a support or brace for various 6" and 10" shelving applications.





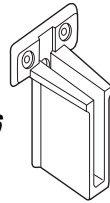
**U-10036**  
**U-10037**  
**U-10038**

**U-10036** (White)  
**U-10037** (Beige)  
**U-10038** (Brown)

**Screw Caps**

**Contents:** 24 caps.

**Description:** Plastic caps press into drywall screw heads to offer a finished appearance to many homeowner projects.



**N-7016**

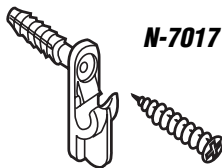
**N-7016**

**Wire Shelf End Bracket**

**Contents:** 2 brackets with screws.

**Description:** Plastic brackets used to attach wire shelving to side walls.

You may wish to stock these related parts: **N-7017**, **N-7018**, **N-7019**, **N-7020**.



**N-7017**

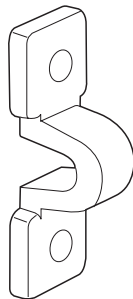
**N-7017**

**Wire Shelf Wall Clip**

**Contents:** 4 clips with screws.

**Description:** Plastic clip with built in anchor; used to secure back edge of wire rack to wall; use one clip every 12" inches.

You may wish to stock these related parts: **N-7016**, **N-7018**, **N-7019**, **N-7020**.



**N-7018**

**N-7018**

**Wire Shelf Loop Clip**

**Contents:** 4 clips with screws.

**Description:** Plastic clip used to clamp rear cross wire of shelf into wall stud for additional support.

You may wish to stock these related parts: **N-7016**, **N-7017**, **N-7019**, **N-7020**.



**N-7019**

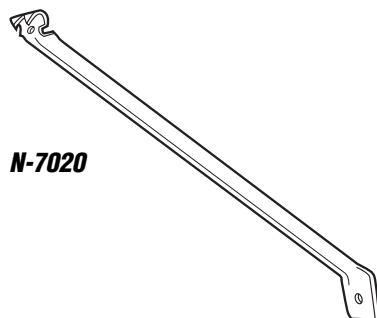
**N-7019**

**Wire Shelf End Cap**

**Contents:** 12 caps.

**Description:** Plastic end caps fit 5/16" wire; used to cap ends of cross wires on wire shelving; protects against sharp edges.

You may wish to stock these related parts: **N-7016**, **N-7017**, **N-7018**, **N-7020**.



**N-7020**

**CCEP-7020**

**Wire Shelf Support Bracket (Bulk)**

**Contents:** (10) 12" bracket.

**Description:** Powder coated steel bracket; supports wire shelving.

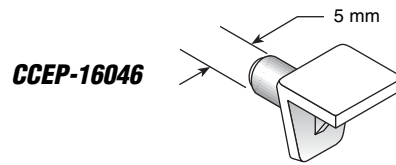
You may wish to stock these related parts: **N-7016**, **N-7017**, **N-7018**, **N-7019**.

## CCEP-16046 (White)

### Shelf Peg (5 mm)

**Contents:** 12 pegs/bag (50 bags/display box).

**Description:** Plastic shelf pegs with 5 mm (3/16") diameter peg; fits many K.D. style cabinets.

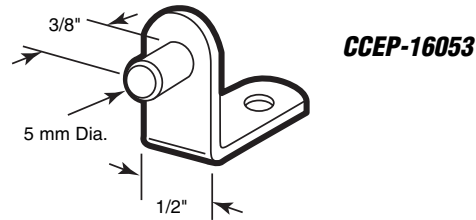


## CCEP-16053 (Nickel plated)

### Shelf Peg (5 mm)

**Contents:** 4 pegs/bag (50 bags/display box).

**Description:** Plated steel pegs with 5 mm (3/16") diameter peg; fits many K.D. style cabinets.

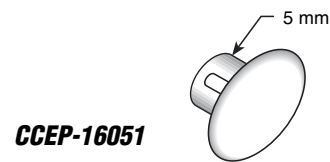


## CCEP-16051 (White)

### Hole Cap (5 mm)

**Contents:** 48/bag (50 bags/display box).

**Description:** Plastic hole caps neatly plug unused peg holes in many K.D. style cabinets; use in 5 mm (3/16") peg holes.

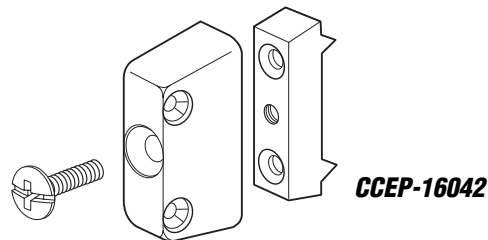


## CCEP-16042 (White)

### Corner Connectors

**Contents:** 4 connectors and (16) #6 x 1" Phillips flat head sheet metal screws (25 bags/display box).

**Description:** 2 piece plastic corner connectors simplify assembly of K.D. cabinet walls with strong overlap construction.

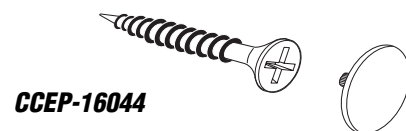


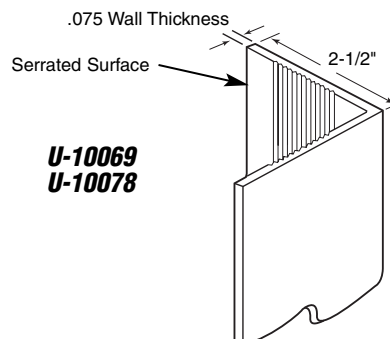
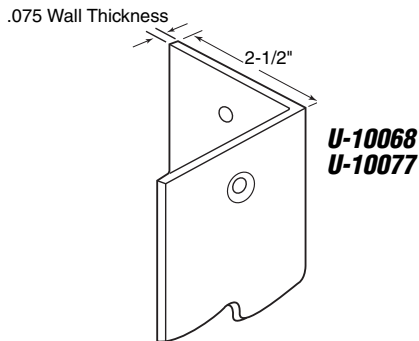
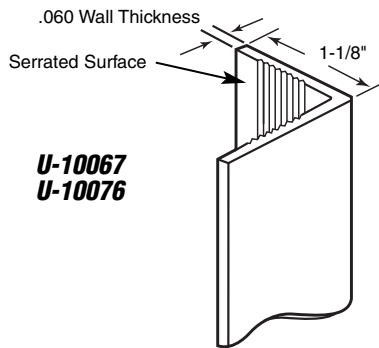
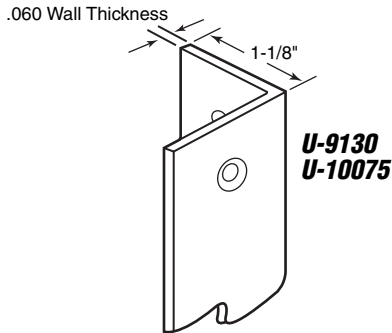
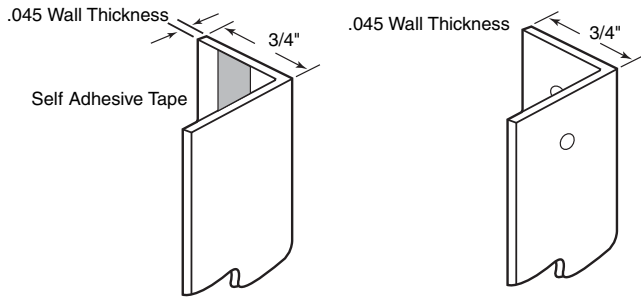
## CCEP-16044

### Screw and Cap

**Contents:** (12) #7 x 1-1/2" Phillips head fine drywall screws and 12 caps per bag (50 bags/display box).

**Description:** White plastic caps press into Phillips style screw heads to offer finished look; fits many K.D. style cabinet applications.





**Corner Shields (3/4" x 3/4")**

**Contents:** 1 piece; 1 set of drive nails or self adhesive backed.

	<b>Color (Part Number)</b>			
	<b>Clear</b>		<b>White</b>	
<b>Length</b>	<b>w/holes</b>	<b>w/tape</b>	<b>w/holes</b>	<b>w/tape</b>
<b>48"</b>	U-9129	U-10081	U-10084	U-10066
<b>96"</b>	U-10082	U-10083	U-10085	U-10086

**Description:** Extruded vinyl shield; used for protecting or repairing wall corners from chipped paint, torn wallpaper or fingerprints.

**Note:** Minimum order - 12 pieces.

**U-9130** (48" long - with holes)

**U-10075** (96" long - with holes)

**Corner Shields (1-1/8" x 1-1/8")**

**Contents:** 1 length; 1 set of #6 x 1" Phillips oval head sheet metal screws.

**Description:** Clear vinyl shield; pre-drilled with countersunk holes; used for protecting or repairing wall corners from chipped paint, torn wallpaper or fingerprints.

**Note:** Minimum order - 12 pieces.

**U-10067** (48" long - no holes)

**U-10076** (96" long - no holes)

**Corner Shields (1-1/8" x 1-1/8")**

**Contents:** 1 length.

**Description:** White vinyl shield; embossed serration on interior surface; apply latex silicon sealant to serrated surface and press on to corner; used for protecting or repairing wall corners from chipped paint, torn wallpaper or fingerprints.

**Note:** Minimum order - 12 pieces.

**U-10068** (48" long - with holes)

**U-10077** (96" long - with holes)

**Corner Shields (2-1/2" x 2-1/2")**

**Contents:** 1 length; 1 set of #6 x 1" Phillips oval head sheet metal screws.

**Description:** Clear vinyl shield; pre-drilled with countersunk holes; used for protecting or repairing wall corners from chipped paint, torn wallpaper or fingerprints.

**Note:** Minimum order - 6 pieces.

**U-10069** (48" long - no holes)

**U-10078** (96" long - no holes)

**Corner Shields (2-1/2" x 2-1/2")**

**Contents:** 1 length.

**Description:** White vinyl shield; embossed serration on interior surface; apply latex silicon sealant to serrated surface and press on to corner; used for protecting or repairing wall corners from chipped paint, torn wallpaper or fingerprints.

**Note:** Minimum order - 6 pieces.