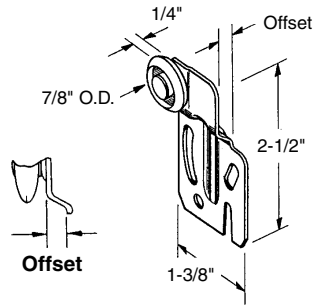


**N-6500**  
**N-6501**  
**N-7030**  
**N-7031**



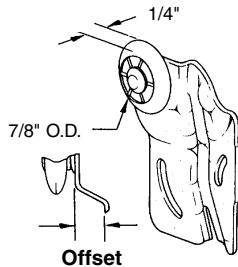
**N-6500** (Front - 1/4" offset)  
**N-6501** (Back - 1/2" offset)  
**N-7030** (Front - ball bearing wheel - 1/4" offset)  
**N-7031** (Back - ball bearing wheel - 1/2" offset)

## Roller

**Contents:** 2 roller assemblies; 6 no. 8 x 3/4" Phillips pan head sheet metal screws.

**Description:** Single wheel; top hung; side mounting; offset adjustable **steel** bracket; **round edge nylon** wheel; fits 3/4" to 1-3/8" thick doors; fits on **Acme**.

**Note:** **N-7030 & N-7031** have **nickel plated steel** brackets & are supplied with **free door bumper** (N-6658).



**N-6504**  
**N-6505**  
**N-7034**  
**N-7035**

**N-6504** (Front - 1/4" offset)  
**N-6505** (Back - 1/2" offset)  
**N-7034** (Front - ball bearing wheel - 1/4" offset)  
**N-7035** (Back - ball bearing wheel - 1/2" offset)

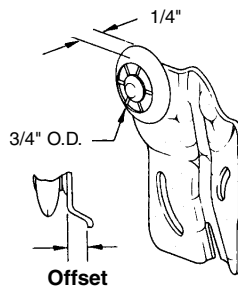
## Roller

**Contents:** 2 roller assemblies; 4 no. 8 x 3/4" Phillips pan head sheet metal screws.

**Description:** Single wheel; top hung; side mounting; offset adjustable **steel** bracket; **round edge nylon** wheel; fits 3/4" to 1-3/8" thick doors; fits on **Cox**.

**Note:** **N-7034 & N-7035** have **nickel plated steel** brackets & are supplied with **free door bumper** (N-6658).

**N-6508**  
**N-6509**



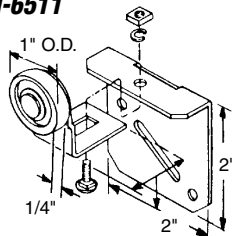
**N-6508** (Front - 1/4" offset)  
**N-6509** (Back - 1/2" offset)

## Roller

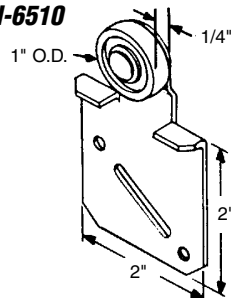
**Contents:** 2 roller assemblies; 4 no. 8 x 3/4" Phillips pan head sheet metal screws.

**Description:** Single wheel; top hung; side mounting; offset adjustable **steel** bracket; 3/4" diameter, **round edge nylon** wheel; fits 3/4" to 1-3/8" thick bi-passing doors up to 50 lbs. each; fits on **Cox**.

**N-6511**



**N-6510**



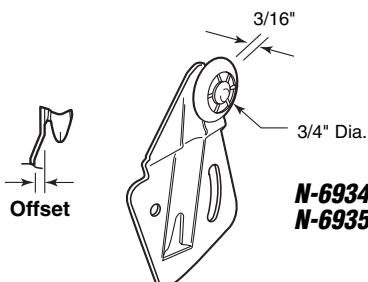
**N-6510** (Front)  
**N-6511** (Back)

## Roller

**Contents:** 2 roller assemblies; 6 no. 8 x 3/4" Phillips pan head sheet metal screws.

**Description:** Single wheel; top hung; side mounting; offset adjustable **steel** bracket; **flat edge nylon** wheel; fits 1/2" to 1-3/8" thick bi-passing doors; 50 lbs. capacity.

You may also wish to stock these related parts: **N-6562**.



**N-6934**  
**N-6935**

**N-6934** (Front - 1/16" offset)  
**N-6935** (Back - 3/8" offset)

## Roller

**Contents:** 2 roller assemblies; 4 no. 8 x 3/4" Phillips pan head sheet metal screws.

**Description:** Single wheel; top hung; side mounting; offset adjustable **steel** bracket; 3/4" diameter, **round edge nylon** wheel; fits 3/4" to 1-3/8" thick bi-passing doors up to 50 lbs. each.

# Bi-pass Door Hardware

**N-6512** (Front - 1/4" offset)

**N-6513** (Back - 3/4" offset)

**N-6514** (Back - 1-1/8" offset)

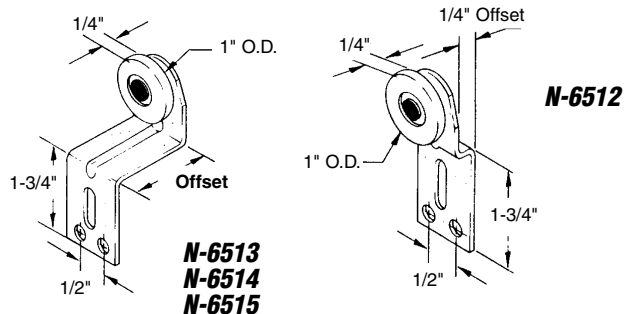
**N-6515** (Back - 1-3/8" offset)

## Roller

**Contents:** 2 roller assemblies; 6 no. 8 x 3/4" Phillips pan head sheet metal screws.

**Description:** Single wheel; top hung; side mounting; offset adjustable **steel** bracket; **round edge nylon** wheel; fits 3/4" to 1-3/8" thick doors; fits on **Cox**.

You may also wish to stock these related parts: **N-6562**.



**N-6715** (Front - 3/16" offset)

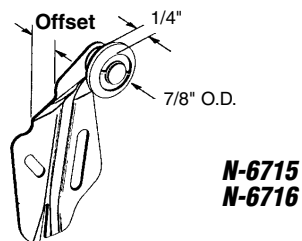
**N-6716** (Back - 1/2" offset)

## Roller

**Contents:** 2 roller assemblies; 4 no. 8 x 3/4" Phillips pan head sheet metal screws.

**Description:** Top hung; 7/8" diameter **nylon** wheel; adjustable **steel** bracket; for bi-passing doors; fits on **Alliance**.

You may also wish to stock these related parts: **N-6562**.



**N-6516** (Front - 3/8" offset)

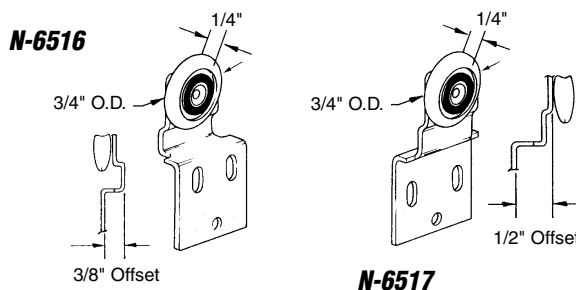
**N-6517** (Back - 1/2" offset)

## Roller

**Contents:** 2 roller assemblies; 6 no. 4 x 3/4" Phillips pan head sheet metal screws.

**Description:** Single wheel; top hung; side mounting; offset adjustable **steel** bracket; **round edge nylon ball bearing** wheel; fits 3/4" to 1-3/8" thick doors.

You may also wish to stock these related parts: **N-6562**.



**N-6520** (Front - 3/8" offset)

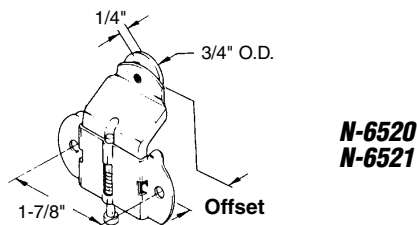
**N-6521** (Back - 3/4" offset)

## Roller

**Contents:** 2 roller assemblies; 4 no. 8 x 3/4" Phillips pan head sheet metal screws.

**Description:** Single wheel; top hung; side mounting; offset adjustable **steel** bracket; **round edge nylon** wheel; fits 3/4" to 1-3/8" thick doors; fits on **Harvey**.

You may also wish to stock these related parts: **N-6562**.



**N-6524** (Front - 1/4" offset)

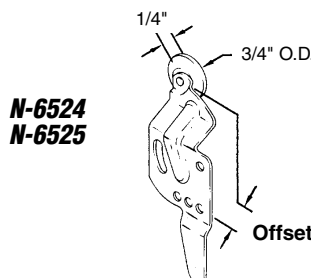
**N-6525** (Back - 1/2" offset)

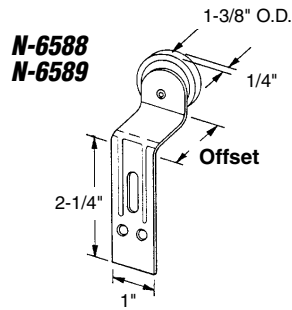
## Roller

**Contents:** 2 roller assemblies; 4 no. 8 x 3/4" Phillips pan head sheet metal screws.

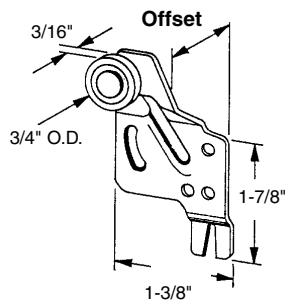
**Description:** Single wheel; top hung; side mounting; offset adjustable **steel** bracket; **round edge nylon** wheel; fits 3/4" to 1-3/8" thick doors; fits on **Harvey**.

You may also wish to stock these related parts: **N-6562**.

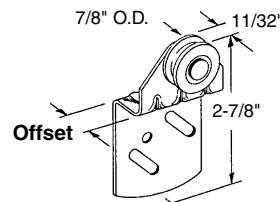




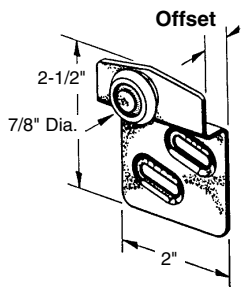
**N-6588**  
**N-6589**



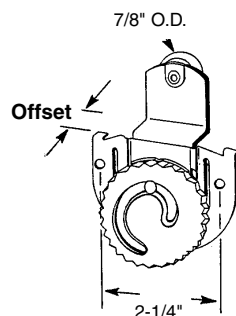
**N-6626**  
**N-6627**  
**N-6628**



**N-6717**  
**N-6718**



**N-6667**  
**N-6668**



**N-6648**  
**N-6649**

**N-6588** (Front - 5/16" offset)

**N-6589** (Back - 5/8" offset)

## Roller

**Contents:** 2 roller assemblies; 6 no. 8 x 3/4" Phillips flat head sheet metal screws.

**Description:** Single wheel; top hung; side mounting; offset adjustable **steel** bracket; **flat edge nylon** wheel; fits 3/4" to 1-3/8" thick doors; 50 lbs. capacity.

You may also wish to stock these related parts: **N-6560**, **N-6562**, **N-6563**.

**N-6626** (1/4" offset)

**N-6627** (1/2" offset)

**N-6628** (3/4" offset)

## Roller

**Contents:** 2 roller assemblies; 4 no. 8 x 3/4" Phillips pan head sheet metal screws.

**Description:** Single **flat edge nylon** wheel; top hung; side mounting; offset adjustable **steel** bracket; fits 3/4" to 1-3/8" thick doors; fits on **Atlas**.

You may also wish to stock these related parts: **N-6562**.

**N-6717** (Front - 5/16" offset)

**N-6718** (Back - 9/16" offset)

## Roller

**Contents:** 2 roller assemblies; 6 no. 8 x 3/4" Phillips pan head sheet metal screws.

**Description:** Top hung; center groove 7/8" diameter **nylon** wheel; adjustable **steel** bracket; used on **old style Kenna Frame**.

You may also wish to stock these related parts: **N-6562**.

**N-6667** (Front - 1/4" offset)

**N-6668** (Back - 1/2" offset)

## Roller

**Contents:** 2 roller assemblies; 4 no. 8 x 3/4" Phillips pan head sheet metal screws.

**Description:** Single **round edge nylon** wheel; side mounting adjustable **steel** bracket; for 3/4" to 1-3/8" thick doors up to 90 lbs. each; fits on **Atlas**.

You may wish to stock these related parts: **N-6560**, **N-6669**.

**N-6648** (Front - 1/8" offset)

**N-6649** (Back - 3/8" offset)

## Roller

**Contents:** 2 roller assemblies with installation screws.

**Description:** Single wheel; top hung; 7/8" diameter **nylon** wheel; **stamped steel** bracket with **nylon** adjusting wheel; for 3/4" to 1-3/8" thick doors; fits on **Stanley**.

You may also wish to stock these related parts: **N-6562**.

## N-6650

### Roller

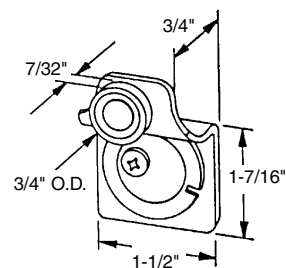
**Contents:** 2 roller assemblies with installation screws.

**Description:** Single wheel; top hung; 3/4" diameter nylon; adjustable stamped steel bracket; for 3/4" to 1-3/8" thick doors; fits on *Atlas*.

You may also wish to stock these related parts: **N-6562**, **N-6651**.

Call for  
Availability

**N-6650**



## N-6719 (Front - 1/8" offset)

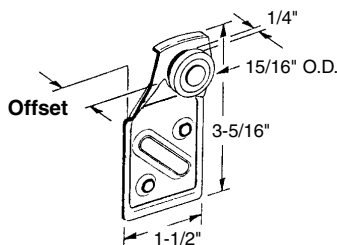
## N-6720 (Back - 7/16" offset)

### Roller

**Contents:** 2 roller assemblies; 6 no. 8 x 3/4" Phillips pan head sheet metal screws.

**Description:** Top hung; 15/16" diameter flat edge nylon wheel; adjustable steel bracket; fits on *Kenna Frame*.

You may also wish to stock these related parts: **N-6562**.



**N-6719**  
**N-6720**

## N-6721 (Front - 1/8" offset)

## N-6722 (Back - 1/2" offset)

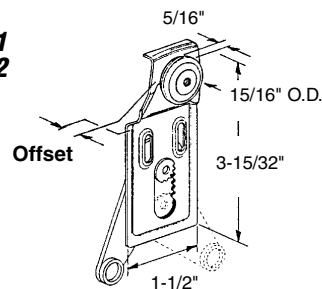
### Roller

**Contents:** 2 roller assemblies; 6 no. 8 x 3/4" Phillips pan head sheet metal screws.

**Description:** Top hung; side mount; 15/16" diameter nylon ball bearing wheel; steel bracket; with nylon adjustment arm; fits on *Kenna Frame*.

You may also wish to stock these related parts: **N-6562**.

**N-6721**  
**N-6722**



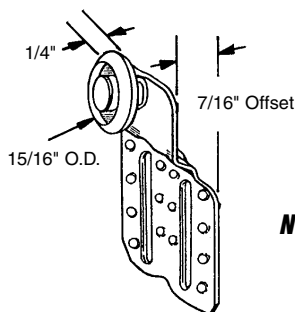
## N-6830

### Roller

**Contents:** 2 roller assemblies; 4 no. 8 x 3/4" Phillips pan head sheet metal screws.

**Description:** Single wheel; top hung; 7/16" offset, adjustable steel bracket; oval edge nylon wheel; fits 3/4" to 1-3/8" thick doors; originally fits on *Superior Door*.

You may also wish to stock these related parts: **N-6560**.



**N-6830**

## N-6840 (Front - 1/16" offset)

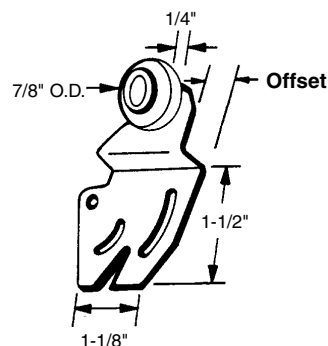
## N-6841 (Back - 3/8" offset)

### Roller

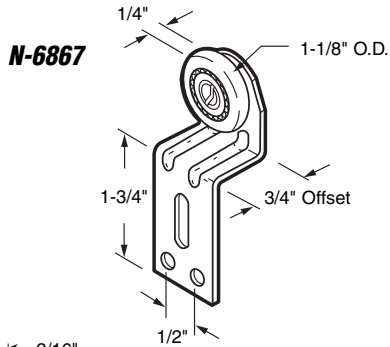
**Contents:** 2 rollers assemblies; 4 installation screws.

**Description:** Single wheel; top hung; side mounting; 1/16" offset adjustable steel bracket; flat edge nylon wheel; fits 3/4" or 1-3/8" thick doors; fits on *Johnson Hardware*.

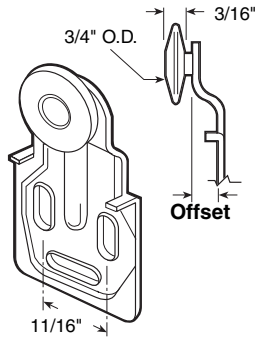
You may also wish to stock these related parts: **N-6795**, **N-6796**.



**N-6840**  
**N-6841**

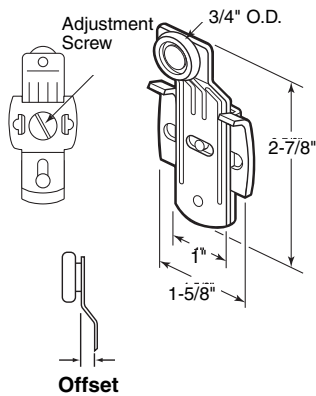
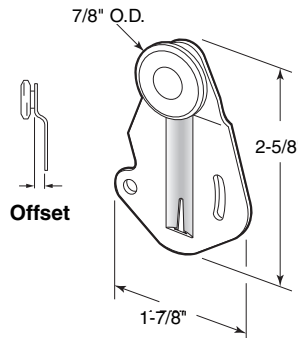


**N-6867**



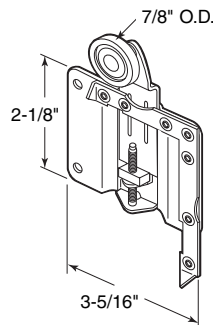
**N-6887**  
**N-6888**

**N-6898**  
**N-6899**



**N-6925**  
**N-6926**

**N-6913**



## N-6867

### Roller

**Contents:** 2 rollers assemblies; 6 no. 8 x 3/4" Phillips pan head sheet metal screws.

**Description:** Top hung; 1-1/8" diameter **flat edge nylon** wheel; adjustable **steel** bracket.

You may also wish to stock these related parts: **N-6562**, **N-6720**.

**N-6887** (Front - 3/8" offset)

**N-6888** (Back - 1/2" offset)

### Roller

**Contents:** 2 roller assemblies; 6 no. 8 x 3/4" Phillips pan head sheet metal screws.

**Description:** Top hung; 3/4" x 3/32" diameter **thin nylon** wheel; adjustable **steel** bracket.

**N-6898** (Front - 1/16" offset)

**N-6899** (Back - 3/8" offset)

### Roller

**Contents:** 2 roller assemblies; 4 no. 8 x 3/4" Phillips pan head sheet metal screws.

**Description:** Top hung; 7/8" diameter **oval edge nylon** wheel; for "V" track; adjustable **steel** bracket; fits on **Johnson Hardware**.

**N-6925** (Front - 1/4" offset)

**N-6926** (Back - 1/2" offset)

### Roller

**Contents:** 2 roller assemblies

**Description:** Top hung; 3/4" diameter **oval edge nylon** wheel; **steel** bracket with vertical height adjustment screw; used on **Sterling** track systems.

You may wish to stock these related parts: **N-6562**.

## N-6913

### Roller

**Contents:** 2 roller assemblies

**Description:** Top hung; 7/8" diameter **flat edge nylon** wheel; **steel** bracket; also acts as corner bracket for steel frame bi-passing doors; used on **Johnson Panel Jacket** door systems.

You may wish to stock these related parts: **N-6914** & **N-6796**.

## N-6914

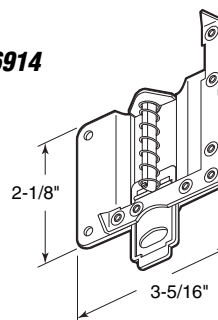
### Guide

**Contents:** 2 guide assemblies.

**Description:** Bottom mount; adjustable **steel** bracket with **nylon** guide; also acts as corner bracket for steel frame bi-passing doors; used on **Johnson Panel Jacket** doors.

You may wish to stock these related parts: **N-6913 & N-6796.**

**N-6914**



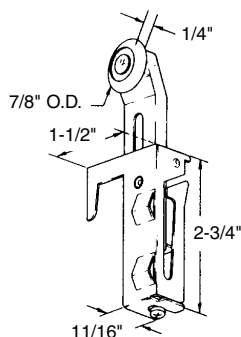
## N-6548

### Roller

**Contents:** 2 roller assemblies, 1 left and 1 right.

**Description:** Single wheel; top mounting; adjustable **steel** bracket; also acts as corner bracket for steel frame bi-passing doors; 7/8" diameter **round edge nylon** wheel; fits on **Acme.**

You may wish to stock these related parts: **N-6549.**



**N-6548**

Left Hand Shown

## N-6549

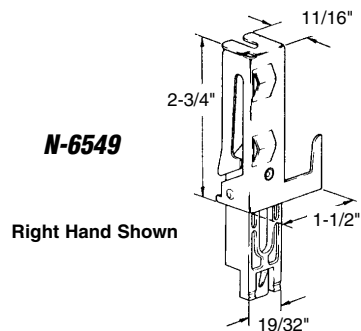
### Guide

**Contents:** 2 guide assemblies, 1 left and 1 right.

**Description:** Bottom mount; adjustable **steel** bracket with **nylon** guide; also acts as corner bracket for steel frame bi-passing doors; fits on **Acme.**

You may wish to stock these related parts: **N-6548.**

**N-6549**



Right Hand Shown

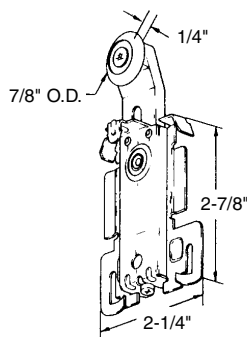
## N-6550

### Roller

**Contents:** 2 roller assemblies.

**Description:** Single wheel; top mounting; adjustable **steel** bracket; also acts as corner bracket for steel frame bi-passing door; 7/8" diameter **round edge nylon** wheel; fits on **Acme.**

You may wish to stock these related parts: **N-6551.**



**N-6550**

## N-6551

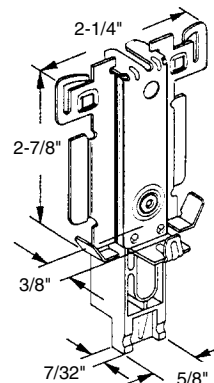
### Guide

**Contents:** 2 guide assemblies.

**Description:** Bottom mount; adjustable **steel** bracket with **nylon** guide; also acts as corner bracket for steel frame bi-passing doors; fits **Acme.**

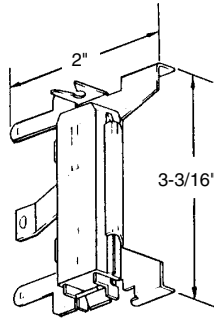
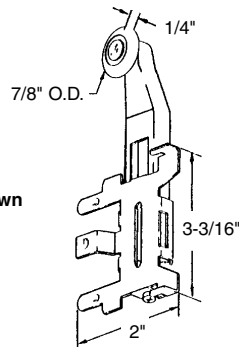
You may wish to stock these related parts: **N-6550.**

**N-6551**



## N-6552

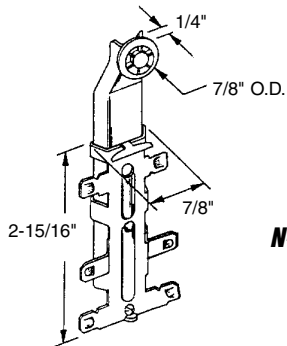
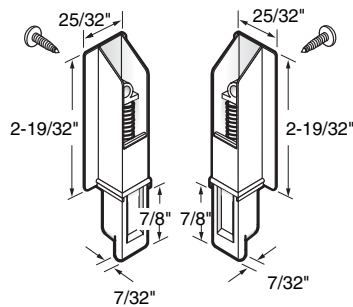
Left Hand Shown



## N-6553

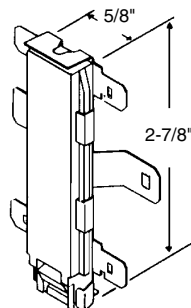
Left Hand Shown

## N-6559



## N-6602

## N-6603



## N-6552

### Roller

**Contents:** 2 roller assemblies, 1 left and 1 right.

**Description:** Single wheel; side mounting; adjustable snap-in steel bracket; 7/8" diameter **round edge nylon** wheel; designed for steel frame bi-passing doors; fits on **Cox**.

You may wish to stock these related parts: **N-6553, N-6554, N-6555.**

## N-6553

### Guide

**Contents:** 2 guide assemblies, 1 left and 1 right.

**Description:** Bottom mount; snap-in steel bracket with nylon guide; for steel frame bi-passing doors; fits on **Cox**.

You may also wish to stock these related parts: **N-6552.**

**Note:** N-6555 replacement guide only.

## N-6559

### Guide

**Contents:** 1 set bottom guide assemblies; 1 left and 1 right; 2 no. 10 x 1/2" Phillips pan head sheet metal screws.

**Description:** Nylon, spring loaded bracket and guide; side mount.

## N-6602

### Roller

**Contents:** 2 roller assemblies.

**Description:** Single wheel; top mounting; adjustable steel bracket; 7/8" diameter **round edge nylon** wheel; designed for steel frame bi-passing doors; fits on **Cox**.

You may also wish to stock these related parts: **N-6603.**

## N-6603

### Guide

**Contents:** 2 guide assemblies

**Description:** Bottom mounts; snap-in steel bracket with nylon guide; designed for steel frame bi-passing doors; fits on **Cox**.

You may also wish to stock these related parts: **N-6602, N-6554, N-6560.**

**Note:** N-6775 replacement guide only.

## N-6758

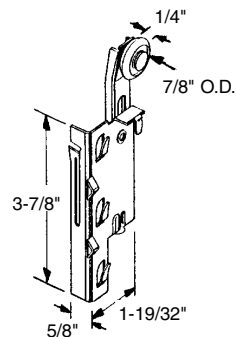
### Roller

**Contents:** 1 left hand and 1 right hand roller assemblies.

**Description:** Single wheel; side mount; adjustable snap-in steel bracket; 7/8" diameter round edge nylon wheel; designed for steel frame doors; used on *Acme series "4000"*.

You may also wish to stock these related parts: **N-6658, N-6759.**

**N-6758**



## N-6759

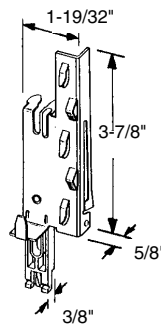
### Guide

**Contents:** 1 left hand and 1 right hand guide assemblies.

**Description:** Bottom mount; snap-in steel bracket with nylon guide; for steel frame bi-passing doors; used on *Acme series "4000"*.

You may also wish to stock these related parts: **N-6658, N-6758.**

**N-6759**



## N-6518 (3/4" diameter)

## N-6519 (7/8" diameter)

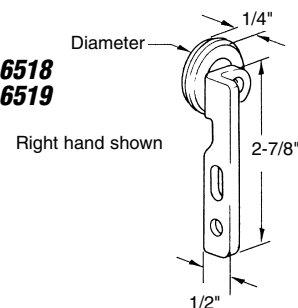
### Roller

**Contents:** 1 left hand and 1 right hand roller assemblies; 4 no. 6 x 3/4" Phillips pan head sheet metal screws.

**Description:** Single wheel; top hung; side mounting; offset adjustable steel bracket; round edge nylon ball bearing wheel; fits 3/4" to 1-1/4" thick doors.

You may wish to stock these related parts: **N-6565, N-6566.**

**N-6518  
N-6519**



## N-6554

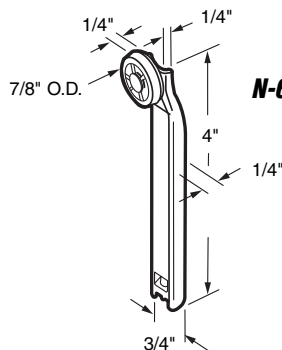
### Roller

**Contents:** 2 roller assemblies.

**Description:** Single wheel; top hung; side mounting; steel bracket; 7/8" diameter round edge nylon wheel.

You may wish to stock these related parts: **N-6602, N-6603, N-6775.**

**N-6554**



## N-6556 (Left)

## N-6557 (Right)

## N-6849 (1 left & 1 right)

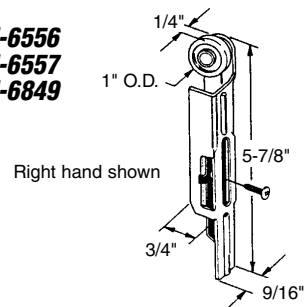
### Roller

**Contents:** 1 roller assembly; 1 no. 12 x 1/2" Phillips pan head sheet metal screws.

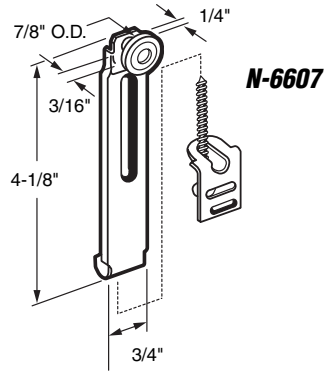
**Description:** Single wheel; top hung; adjustable steel bracket mounts inside of door frame; 1" diameter flat edge nylon wheel; fits on *Like*.

You may wish to stock these related parts: **N-6558, N-6559.**

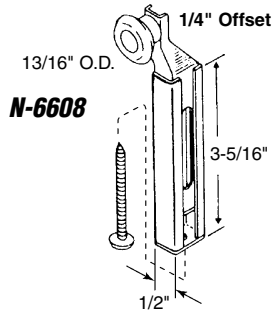
**N-6556  
N-6557  
N-6849**



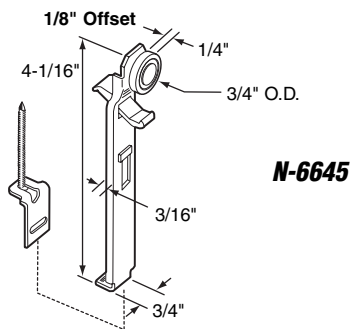




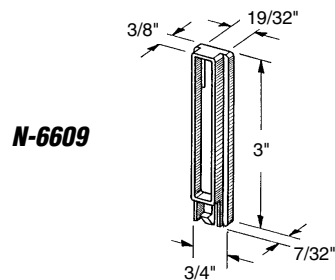
**N-6607**



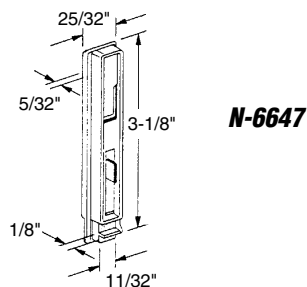
**N-6608**



**N-6645**



**N-6609**



**N-6647**

## N-6607

### Roller

**Contents:** 2 roller assemblies; 2 no. 8 x 1-3/4" Phillips pan head sheet metal screws.

**Description:** Single wheel; top hung; adjustable **steel** bracket; 7/8" diameter **round edge nylon** wheel; 3/16" wide, edge rail.

You may wish to stock these related parts: **N-6560, N-6563, N-6645.**

## N-6608

### Roller

**Contents:** 2 roller assemblies; 2 no 8 x 3/4" Phillips pan head sheet metal screws.

**Description:** Single wheel; top hung; offset adjustable **steel** bracket; 13/16" diameter **nylon round edge** wheel; used on **Steward** wardrobe doors.

Call for Availability

## N-6645

### Roller

**Contents:** 1 roller; 1 adjustment bracket with screw.

**Description:** Single wheel; top hung; **steel** bracket with **nylon** anti-jump guide; 3/16" wide, rail edge; 3/4" diameter **flat edge nylon** wheel; fits on **Roberts**.

You may also wish to stock these related parts: **N-6607, N-6609, N-6647.**

Call for Availability

## N-6609

### Guide

**Contents:** 2 guides.

**Description:** Bottom mount; **nylon** guide for steel frame bi-passing doors; used on **Roberts** wardrobe doors.

You may also wish to stock these related parts: **N-6607, N-6645.**

## N-6647

### Guide

**Contents:** 2 guides.

**Description:** **Nylon** bottom guide for sliding wardrobe doors; snaps into steel frame of door.

You may also wish to stock these related parts: **N-6607, N-6645.**

# Bi-pass Door Hardware

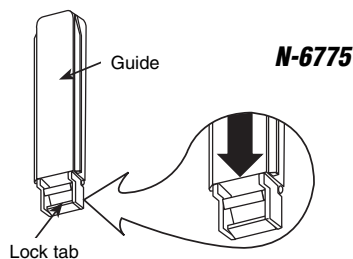
## N-6775

### Guide

**Contents:** 2 guides.

**Description:** White plastic guide; replacement guides for part no. N-6603.

You may also wish to stock these related parts: N-6602.



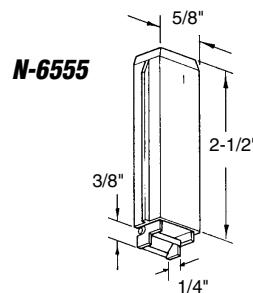
## N-6555

### Guide

**Contents:** 2 guides.

**Description:** Bottom mount; nylon guide for steel bi-passing doors; repair part for no. N-6553.

You may also wish to stock these related parts: N-6552, N-6553.



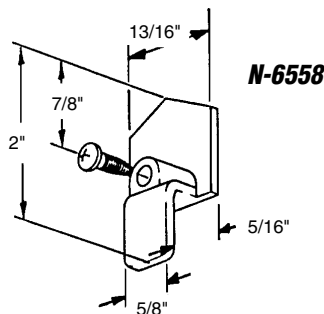
## N-6558

### Guide

**Contents:** 2 guides; 1 no. 10 x 1/2" Phillips pan head sheet metal screw.

**Description:** Nylon; side mount; replaces old metal guides.

You may also wish to stock these related parts: N-6556, N-6557.

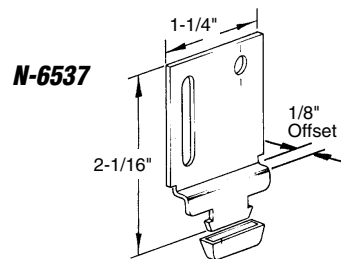


## N-6537

### Guide

**Contents:** 2 guides; 4 no. 8 x 5/8" Phillips pan head sheet metal screws.

**Description:** Bottom mount; adjustable steel bracket with nylon tip; fits 3/4" to 1-3/8" thick bi-passing doors; fits on Cox.



**N-6651\*** (1/4" offset)

**N-6652** (1/2" offset)

**N-6653** (3/4" offset)

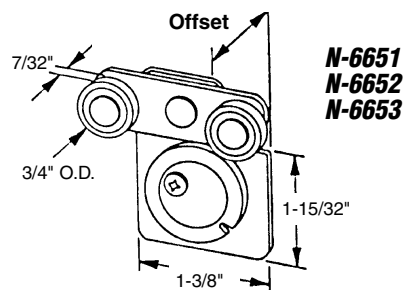
### Roller

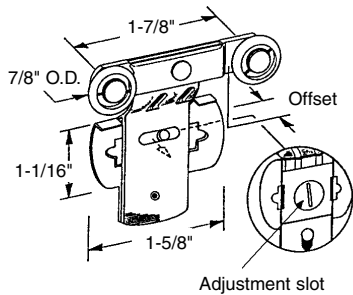
**Contents:** 2 roller assemblies with installation screws.

**Description:** Tandem wheels; top hung; 3/4" diameter nylon wheels; adjustable offset steel bracket; for 3/4" to 1-3/8" thick doors; fits on Atlas.

*\*Call for availability on this item.*

You may also wish to stock these related parts: N-6562.





**N-6915**  
**N-6726**

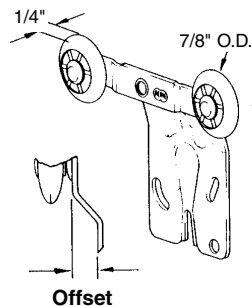
**N-6915** (Front - 3/16" offset)  
**N-6726** (Back - 11/16" offset)

## Roller

**Contents:** 2 roller assemblies; 4 no. 8 x 3/4" Phillips pan head sheet metal screws.

**Description:** 7/8" diameter, **round edge nylon** tandem wheels; side mount; adjustable **steel** bracket; for bi-passing doors; used on **Sterling** track systems.

You may wish to stock these related parts: **N-6562, N-6563.**



**N-6502**  
**N-6503**  
**N-7032**  
**N-7033**

**N-6502** (Front - 1/4" offset)  
**N-6503** (Back - 1/2" offset)  
**N-7032** (Front - **ball bearing wheel** - 1/4" offset)  
**N-7033** (Back - **ball bearing wheel** - 1/2" offset)

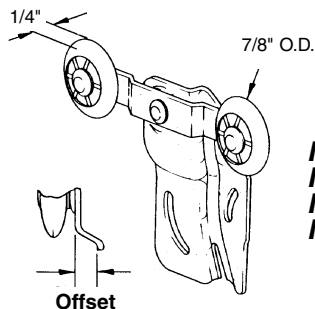
## Roller

**Contents:** 2 roller assemblies; 6 no. 8 x 3/4" Phillips pan head sheet metal screws.

**Description:** Tandem wheels; top hung; side mounting; offset adjustable **steel** bracket; 7/8" diameter **round edge nylon** wheels; fits 3/4" to 1-3/8" thick door; fits on **Acme**.

You may wish to stock these related parts: **N-6563, N-6560.**

**Note:** **N-7032 & N-7033** have **nickel plated steel** brackets & are supplied with **free door bumper** (N-6658).



**N-6506**  
**N-6507**  
**N-7036**  
**N-7037**

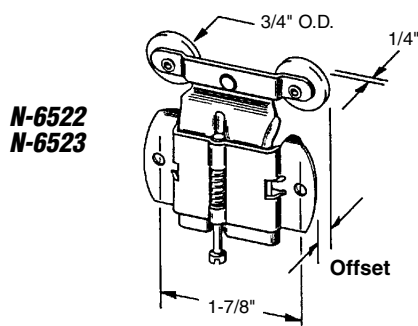
**N-6506** (Front - 1/4" offset)  
**N-6507** (Back - 1/2" offset)  
**N-7036** (Front - **ball bearing wheel** - 1/4" offset)  
**N-7037** (Back - **ball bearing wheel** - 1/2" offset)

## Roller

**Contents:** 2 roller assemblies; 4 no. 8 x 3/4" Phillips pan head sheet metal screws.

**Description:** Tandem wheels; top hung; side mounting; offset adjustable **steel** bracket; 7/8" diameter **round edge nylon** wheels fits 3/4" thick doors; fits on **Cox**.

**Note:** **N-7036 & N-7037** have **nickel plated steel** brackets & are supplied with **free door bumper** (N-6658).



**N-6522**  
**N-6523**

**N-6522** (Front - 3/8" offset)  
**N-6523** (Back - 3/4" offset)

## Roller

**Contents:** 2 roller assemblies; 4 no. 8 x 3/4" Phillips pan head sheet metal screws.

**Description:** Tandem wheels; top hung; side mounting; offset adjustable **steel** bracket; 3/4" diameter **round edge nylon** wheels; fits 3/4" to 1-3/8" thick doors; 75 lb capacity; fits on **Harvey**.

You may wish to stock these related parts: **N-6560, N-6562.**

**N-6669** (1/2" offset)

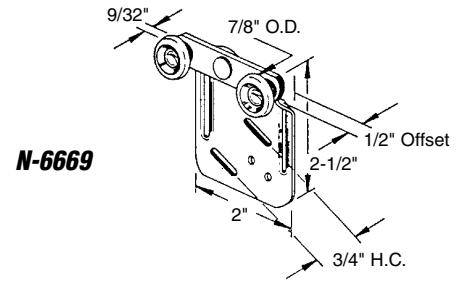
Call for  
Availability

## Roller

**Contents:** 2 roller assemblies; 6 no. 8 x 3/4" Phillips pan head sheet metal screws.

**Description:** Tandem wheels; side mounting adjustable **steel** bracket; 7/8" diameter **round edge nylon** wheels; for 3/4" to 1-3/8" thick doors up to 90 lbs. each; fits on **Atlas**.

You may wish to stock these related parts: **N-6560**.



**N-6977** (Front - 3/16" offset - tandem wheels)

**N-6978** (Back - 7/16" offset - tandem wheels)

**N-7091** (Front - 3/16" offset)

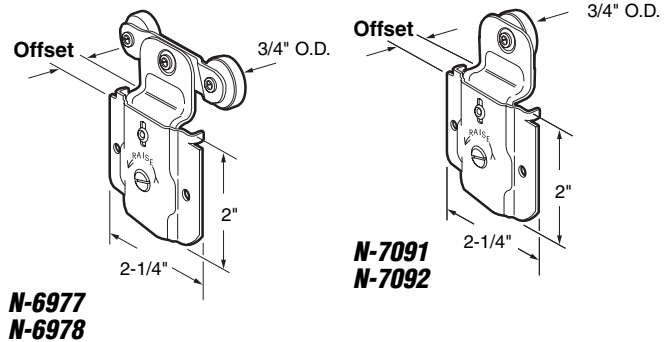
**N-7092** (Back - 7/16" offset)

## Roller

**Contents:** 2 roller assemblies; 4 no. 8 x 3/4" Phillips pan head screws.

**Description:** Top hung; side mounting; offset adjustable **steel** bracket; 3/4" diameter **flat edge nylon** wheels; used on **Grant series 6000** doors.

You may wish to stock these related parts: **N-6562**.



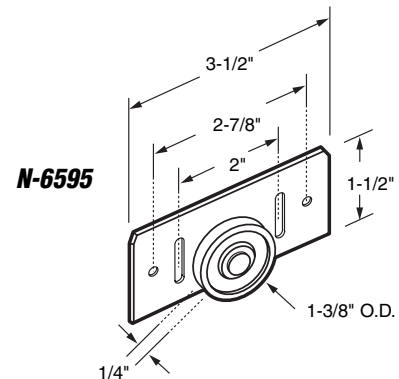
**N-6595**

## Roller

**Contents:** 2 roller assemblies; 4 no. 8 x 3/4" Phillips pan head sheet metal screws.

**Description:** Bottom mount; installs on back side of door panel; **steel** bracket; 1-3/8" diameter **flat edged nylon** wheel.

You may wish to stock these related parts: **N-6596**.



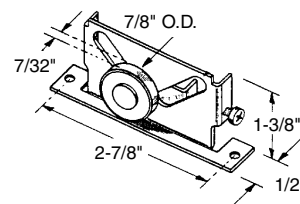
**N-6622**

Call for  
Availability

## Roller

**Contents:** 2 roller assemblies; (1 left and 1 right); 1 set of installation screws.

**Description:** Sliding mirror door **steel** bracket with 7/8" diameter **steel ball bearing** wheel; adjustable; fits on **Daryl Door**.



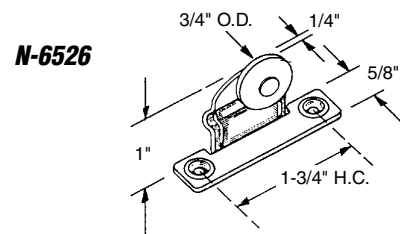
**N-6526**

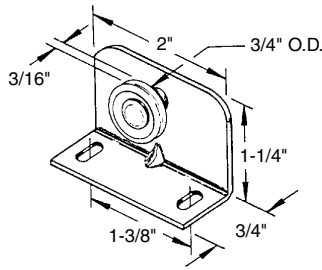
## Roller

**Contents:** 2 roller assemblies; 4 no. 8 x 1-1/4" Phillips pan head sheet metal screws.

**Description:** Single wheel; top hung; **offset steel** bracket; 3/4" diameter **round edge nylon** wheel; fits 3/4" to 1-3/8" thick doors; fits on **Harvey**.

You may wish to stock these related parts: **N-6565**, **N-6566**.





**N-6666**

## N-6666

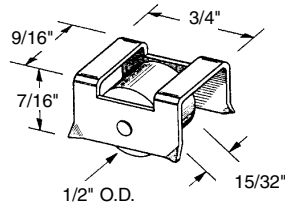
### Roller

**Contents:** 2 roller assemblies; 4 no. 8 x 1-1/4" Phillips pan head sheet metal screws.

**Description:** Single flat edge nylon wheel; top center mounting; wheel fits 3/4" to 1-3/8" thick doors; works as a fixed roller with no. N-6629; fits on Atlas.

You may wish to stock these related parts: N-6629.

**N-6675**



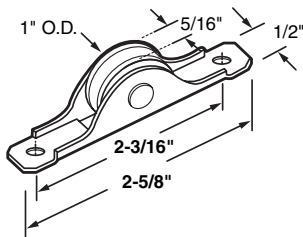
## N-6675

### Roller

**Contents:** 2 roller assemblies.

**Description:** 1/2" diameter stainless steel roller; brass housing; fits 9/16" groove in door rail; held in place by flared points.

**N-6591**



**N-6590**

## N-6590

(2-7/16" hole centers)

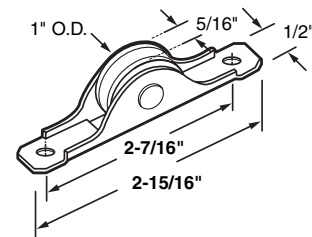
**N-6591** (2-3/16" hole centers)

### Roller

**Contents:** 2 roller assemblies; 4 no. 8 x 3/4" Phillips pan head sheet metal screws.

**Description:** Bottom mount; mortise installation; steel housing; 1" diameter center groove nylon wheel; fits on Glide Master.

You may wish to stock these related parts: N-6590, N-6592, N-6593, N-6594.



**N-6592**

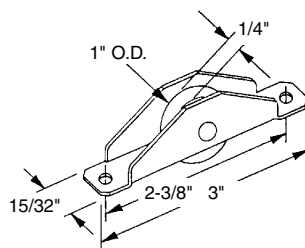
## N-6592

### Roller

**Contents:** 2 roller assemblies; 4 no. 8 x 3/4" Phillips pan head sheet metal screws.

**Description:** Bottom mount; mortise installation; steel housing; 1" diameter round edged nylon wheel.

You may wish to stock these related parts: N-6590, N-6591, N-6593, N-6594.



**N-6594**

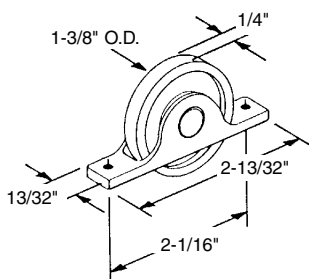
## N-6594

### Roller

**Contents:** 2 roller assemblies; 2 no. 8 x 3/4" Phillips pan head sheet metal screws.

**Description:** Bottom mount; mortise installation; steel housing; 1-3/8" diameter flat edged nylon wheel; fits on Glide Master.

You may wish to stock these related parts: N-6590, N-6591, N-6592, N-6593.



Call for  
Availability

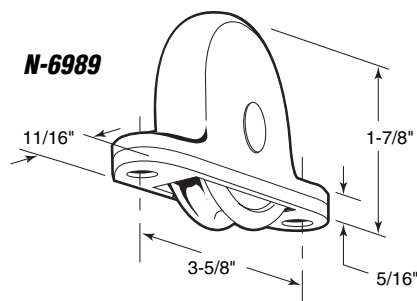
Call for  
Availability

## N-6989

### Roller

**Contents:** 1 roller assembly.

**Description:** Bottom mount; mortise installation; heavy die cast housing; 1-3/4" diameter x 3/8" wide **grooved nylon** wheel; used on **Grant No. 18** door systems.



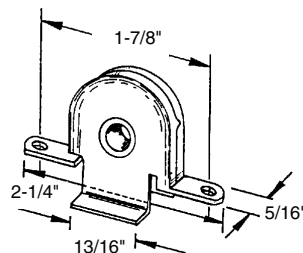
**N-6680** (Steel ball bearing - flat edge wheel)

**N-6681** (Nylon - grooved edge wheel)

### Roller

**Contents:** 2 roller assemblies.

**Description:** **Stamped steel** housing; fits a 1-1/4" x 5/16" mortise slot in door rail.



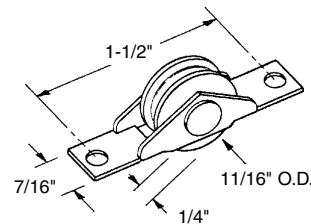
**N-6680**  
**N-6681**

## N-6684

### Roller

**Contents:** 2 roller assemblies.

**Description:** 11/16" diameter **steel wheel** with **axle bearing**; center grooved; fits a 7/16" x 1-7/8" mortise slot in door rail.



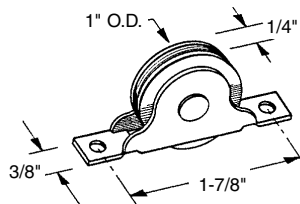
**N-6684**

## N-6685

### Roller

**Contents:** 2 roller assemblies.

**Description:** **Steel ball bearing** grooved wheel; fits a 1-1/4" x 5/16" mortise slot in door rail.



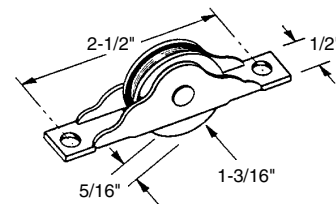
**N-6685**

## N-6686

### Roller

**Contents:** 2 roller assemblies.

**Description:** 1-3/16" diameter **steel ball bearing** wheel; center grooved; fits a 2-15/16" x 7/16" mortise slot in door rail.



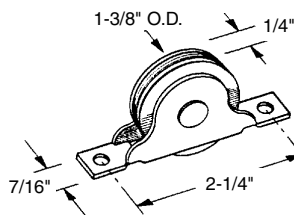
**N-6686**

## N-6687

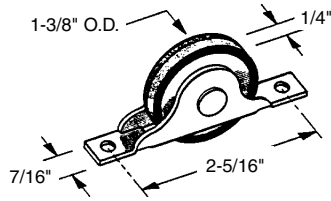
### Roller

**Contents:** 2 roller assemblies.

**Description:** 1-3/8" diameter **steel ball bearing**; center grooved wheel; fits a 2-3/4" x 7/16" mortise slot in door rail.



**N-6687**



**N-6688**

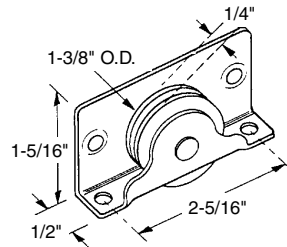
## N-6688

### Roller

**Contents:** 2 roller assemblies.

**Description:** 1-3/8" diameter **flat neoprene tire ball bearing** wheel; fits a 2-3/4" x 7/16" mortise slot in door rail.

**N-6689**

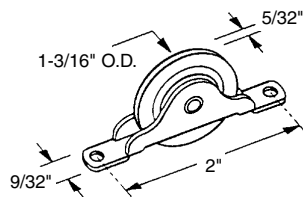


## N-6689

### Roller

**Contents:** 2 roller assemblies.

**Description:** 1-3/8" diameter **steel ball bearing** wheel; center groove; side mounted bracket for external mounting.



**N-6690**

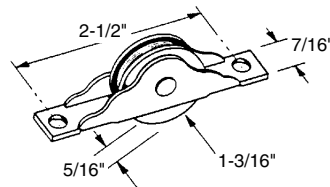
## N-6690

### Roller

**Contents:** 2 roller assemblies.

**Description:** 1-3/16" diameter **round edge nylon** wheel; for thin doors; fits a 9/32" x 2-1/4" mortise slot in door rail.

**N-6691**

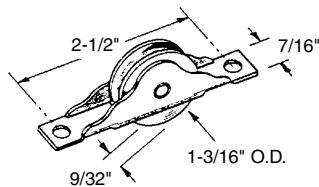


## N-6691

### Roller

**Contents:** 2 roller assemblies.

**Description:** 1-3/16" diameter **center grooved nylon** wheel; for door thickness up to 1-1/8"; fits a 7/16" x 2-15/16" mortise slot in door rail.



**N-6692**

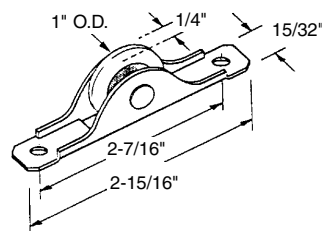
## N-6692

### Roller

**Contents:** 2 roller assemblies.

**Description:** 1-3/16" diameter **bronze center groove** wheel; self-lubricating bearing; **solid brass** housing; used by many boat manufacturers; fits a 7/16" x 2-15/16" mortise slot in door frame.

**N-6593**



## N-6593

### Roller

**Contents:** 2 roller assemblies.

**Description:** Bottom mount; mortise installation; **steel** housing; 1" diameter **round edged nylon** wheel; fits on *Glide Master*.

You may also wish to stock these related parts: **N-6590, N-6591, N-6592, N-6594.**

Call for  
Availability

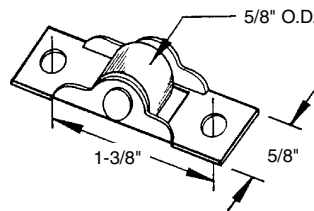
## N-6676

### Roller

**Contents:** 2 roller assemblies.

**Description:** 5/8" diameter **nylon** wheel; **steel** housing; fits 5/8" groove in door rail; mortise installation.

**N-6676**

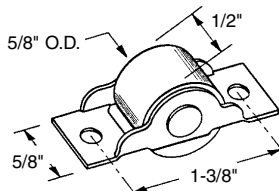


## N-6677

### Roller

**Contents:** 2 roller assemblies.

**Description:** 5/8" diameter **steel** wheel; **steel** housing; fits 5/8" groove in door rail; mortise installation.



**N-6677**

## N-6678

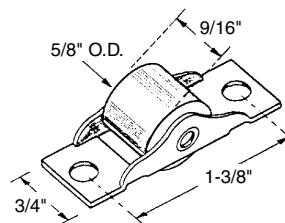
### Roller

**Contents:** 2 roller assemblies.

**Description:** 5/8" diameter **steel** wheel; **steel** housing; fits 3/4" groove in door rail; mortise installation.

*Call for Availability*

**N-6678**

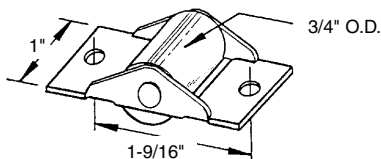


## N-6679

### Roller

**Contents:** 2 roller assemblies.

**Description:** 3/4" diameter **steel** wheel; **steel** housing; fits 1" groove in door rail; mortise installation.



**N-6679**

## N-6682 (Steel)

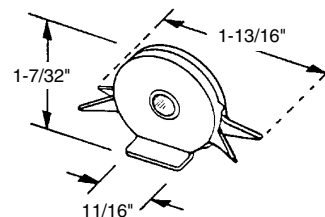
## N-6683 (Nylon)

### Roller

**Contents:** 2 roller assemblies.

**Description:** **Ball bearing flat** wheel; drive-in **steel** housing; fits a 1-1/4" x 5/16" mortise slot in door rail.

**N-6682**  
**N-6683**

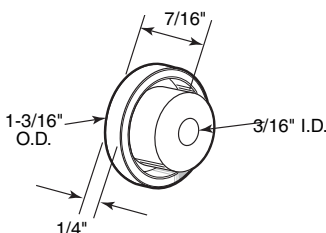


## N-6596

### Roller

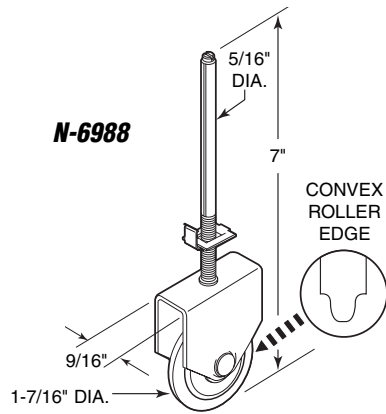
**Contents:** 2 rollers.

**Description:** **Nylon** wheel mounts directly onto door panel; 1-3/16" diameter.



**N-6596**





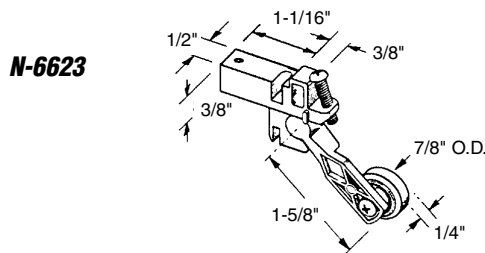
**N-6988**

## N-6988

### Roller

**Contents:** 1 roller assembly.

**Description:** Plated steel rod with stamped steel roller housing; 1-3/8" diameter convex nylon wheel.



**N-6623**

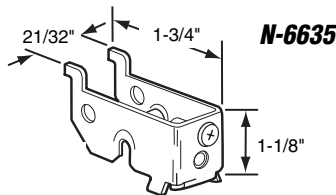
## N-6623

### Roller

**Contents:** 1 roller assembly.

**Description:** 7/8" nylon ball bearing wheel; adjustable diecast roller housing; fits on *Miller Door*.

Call for Availability



**N-6635**

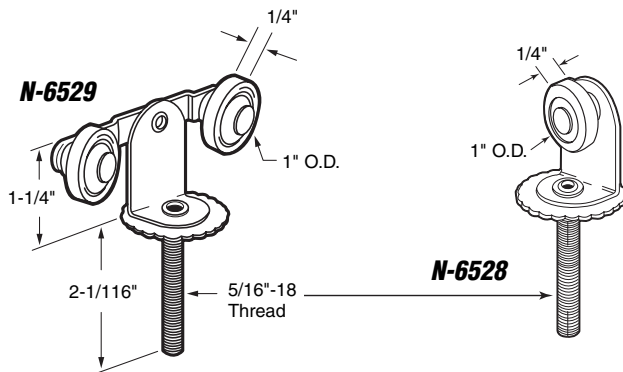
## N-6635

### Roller Bracket

**Contents:** 1 roller bracket.

**Description:** Stamped steel housing to accept no. N-6621 wardrobe door roller; snap together design between bracket and wheel assembly; used by *Ador/HILite*.

You may wish to stock these related parts: N-6621, N-6657.



**N-6529**

**N-6528**

## N-6528

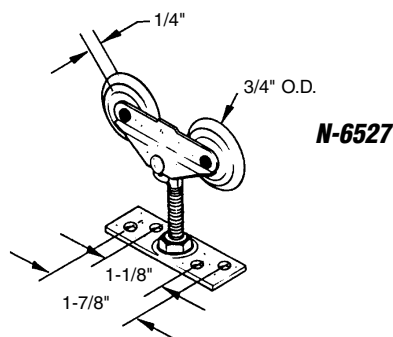
### N-6529 (Tandem wheels)

### Roller

**Contents:** 1 roller assembly.

**Description:** Top-center mounting; adjustable steel bracket; flat edge nylon wheel; fits 3/4" to 1-3/8" thick doors; fits on *Like*.

You may wish to stock these related parts: N-6565, N-6566, N-6664, N-6797.



**N-6527**

## N-6527

### Roller

**Contents:** 1 roller assembly; 4 no. 8 x 1-1/4" Phillips pan head sheet metal screws.

**Description:** Tandem wheels; top hung; offset adjustable bracket; round edge nylon wheel; fits 3/4" to 1-3/8" thick doors; fits on *Harvey*.

You may wish to stock these related parts: N-6565, N-6566.

## N-6532

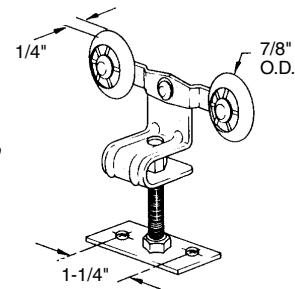
### Roller

**Contents:** 2 roller assemblies; 4 no. 8 x 1-1/4" Phillips pan head sheet metal screws.

**Description:** Tandem wheels; top mounting; adjustable **steel** bracket; **round edge nylon** wheel; fits 1-3/8" thick doors; fits on **Cox**.

You may wish to stock these related parts: **N-6564, N-6797.**

**N-6532**



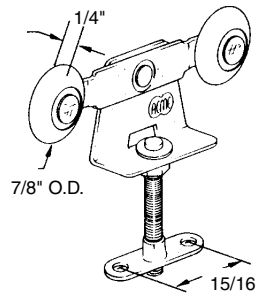
## N-6533

### Roller

**Contents:** 1 roller assembly; 2 no. 8 x 1-1/4" Phillips pan head sheet metal screws.

**Description:** Tandem wheels; top mounting; adjustable **steel** bracket; **round edge nylon** wheel; fits 1-3/8" thick doors; fits on **Acme**.

You may wish to stock these related parts: **N-6560.**



**N-6533**

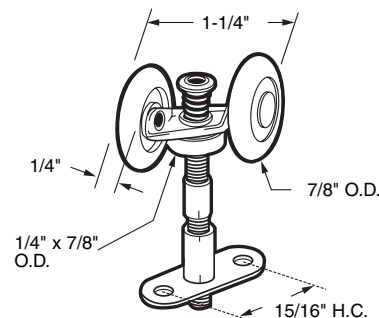
## N-6534

### Roller

**Contents:** 1 roller assembly; 2 no. 8 x 1-1/4" Phillips pan head sheet metal screws.

**Description:** Tandem wheel hanger, with **round edge nylon** wheels; top mounting; adjustable **steel** bracket with **flat edge horizontal guide wheel**; fits 1" to 1-3/8" thick doors; used on **Acme "series 2600"** bi-fold & accordion doors.

You may wish to stock these related parts: **N-6541, N-6543, N-6545, N-6546, N-6547.**



**N-6534**

## N-6847 (3/4" diameter)

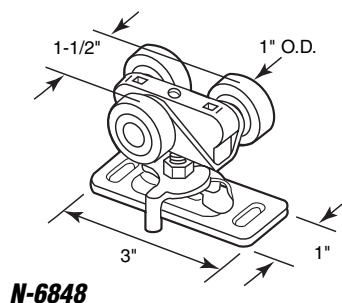
## N-6848 (1" diameter)

### Roller

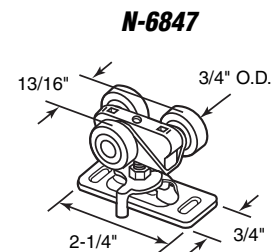
**Contents:** 2 roller assemblies; 4 no. 8 x 3/4" Phillips pan head sheet metal screws.

**Description:** Three (3) **flat edge nylon** wheels; **steel** top mount adjustable bracket used on pocket doors, sliding doors and bi-folding doors.

You may wish to stock these related parts: **N-6795, N-6796, N-6567.**



**N-6848**



**N-6847**

## N-6873

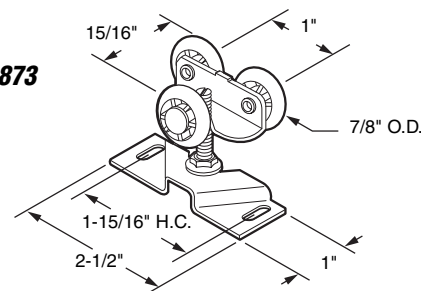
### Roller

**Contents:** 1 roller assembly; 2 no. 8 x 1-1/4" Phillips pan head sheet metal screws.

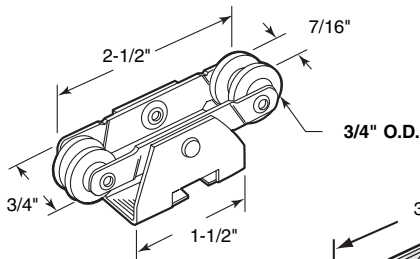
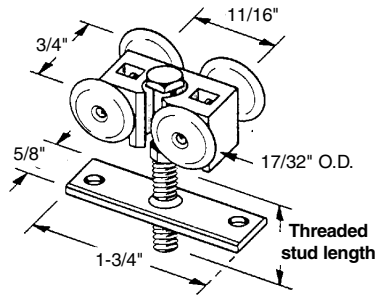
**Description:** Three (3) wheel hanger; top mounting; adjustable **steel** bracket; **round edge nylon** wheels; used on both bi-passing and pocket doors.

**Note:** See N-6990 for 4 wheel version.

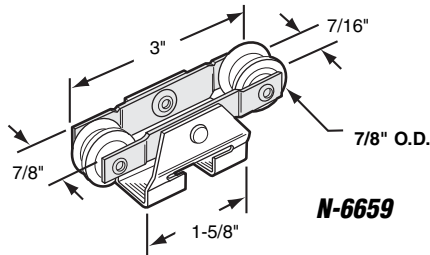
**N-6873**



**N-6604**  
**N-6605**

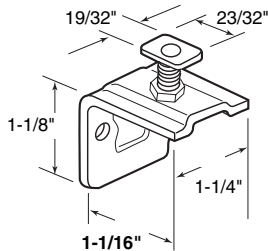


**N-7087**

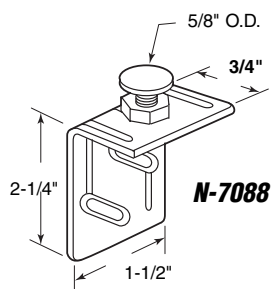
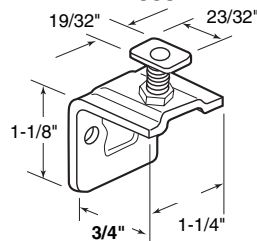


**N-6659**

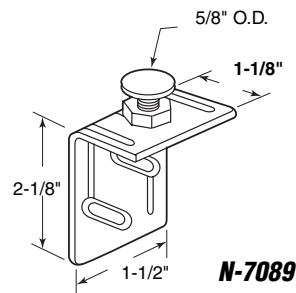
**N-6892**



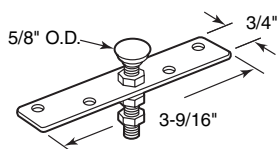
**N-6891**



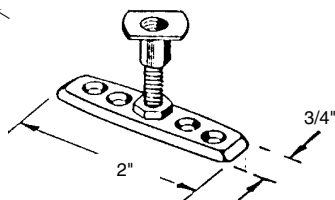
**N-7088**



**N-7089**



**N-7090**



**N-6662**

**N-6604** (5/8" stud length)

**N-6605** (1-1/4" stud length)

## Roller

**Contents:** 1 roller assembly; 2 no. 8 x 1-1/2" Phillips pan head sheet metal screws.

**Description:** Folding shutter door hanger; (4) **round edge nylon** wheels on **nylon** carrier; top hung; designed for lightweight doors or counter top style window shutters; **steel** mounting plate.

You may wish to stock these related parts: **N-6582**, **N-6583**, **N-6584**.

**N-6659** (7/8" diameter - nylon wheels)

**N-7087** (3/4" diameter - nylon ball bearing wheels)

## Roller

**Contents:** 1 roller assembly.

**Description:** Stamped **steel** bracket; 4 wheel carrier uses **nylon** wheels; for heavy duty bi-passing or pocket doors up to 100 lbs. each; fits **Acme "1000"** and **"1700"** series track systems.

**Note:** These hangers will not work with existing hanger bracket. Must choose from one of the 6 listed below.

You may wish to stock these related parts: **N-6662**, **N-6891**, **N-6892**, **N-7088**, **N-7089**, **N-7090**.

**N-6891** (Front - for 3/4", 1-1/8" and 1-3/4" thick doors)

**N-6892** (Back - for 1-1/8", 1-3/8" and 1-3/4" thick doors)

## Side Mount Roller Bracket

**Contents:** 1 roller bracket.

**Description:** **Plated steel** bracket; side mount bracket for (4) wheel carrier no. **N-6659**; used on wardrobe and pocket doors.

You may wish to stock these related parts: **N-6659**, **N-6662**.

**N-7088** (For 1-1/8" and 1-3/4" thick doors)

**N-7089** (For 1-1/8", 1-3/8" and 1-3/4" thick doors)

## Roller Bracket

**Contents:** 1 roller bracket.

**Description:** **Plated steel** bracket; side mount bracket for 4 wheel carrier no. **N-7087**; used on wardrobe and pocket doors.

You may wish to stock these related parts: **N-7087**, **N-7090**.

**N-6662**

**N-7090**

## Top Mount Roller Bracket

**Contents:** 1 threaded bracket; 1 tee nut; 4 no. 8 x 1-1/4" screws.

**Description:** **Top mounting steel** bracket; adjustable; use **N-6659** with **N-6662** and **N-7087** with **N-7090**.

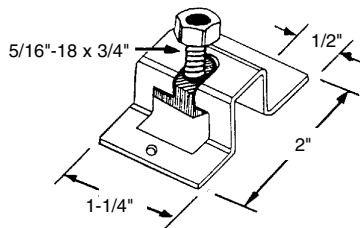
## N-6803

### Top Mount Roller Bracket

**Contents:** 1 bracket assembly.

**Description:** Steel bracket with threaded stud and nut; used with N-6535 and N-6536 roller assemblies.

You may wish to stock these related parts: N-6535, N-6536.



**N-6803**

**N-6846** (Brass finish)

**N-6893** (Nickel-plated finish)

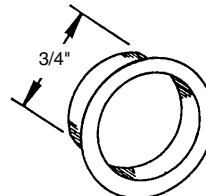
### Finger Pull

**Contents:** 4 pulls.

**Description:** Plated steel pull; fits a 3/4" diameter hole; universal design.

You may wish to stock these related parts: N-6698, N-6699, N-6826.

**N-6846**  
**N-6893**



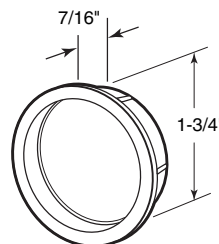
## N-6933

### Pull Handle

**Contents:** 2 pulls.

**Description:** Ivory colored plastic pull; fits a 1-3/4" diameter hole; universal design.

You may wish to stock these related parts: N-6500, N-6501, N-6563, N-6765.



**N-6933**

**N-6765** (Brass finish)

**N-6766** (Antique brass finish)

**N-7081** (Chrome finish)

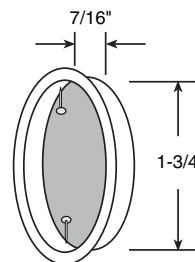
### Pull Handle

**Contents:** 2 pull handles; 4 nails.

**Description:** Plated steel pull; fits a 1-3/4" diameter hole; held in place by 2 nails; used by many wardrobe & door manufacturers.

You may wish to stock these related parts: N-6698, N-6699; N-6763, N-6764.

**N-6765**  
**N-6766**  
**N-7081**



**N-6698** (Brass finish)

**N-6763** (Antique brass finish)

**N-6868** (Chrome finish)

**CCEP-6698** (Brass finish - 2 per bag)\*

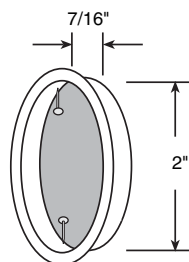
### Pull Handle

**Contents:** 2 pull handles; 4 nails.

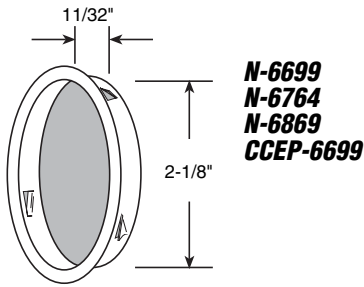
**Description:** Plated steel pull; fits a 2" diameter hole; held in place by 2 nails; used by many wardrobe door manufacturers.

\*50 bags per cut-case box.

You may wish to stock these related parts: N-6699.



**N-6698**  
**N-6763**  
**N-6868**  
**CCEP-6698**



**N-6699** (Brass finish)  
**N-6764** (Antique brass finish)  
**N-6869** (Chrome finish)  
**CCEP-6699** (Brass finish - 2 per bag)\*

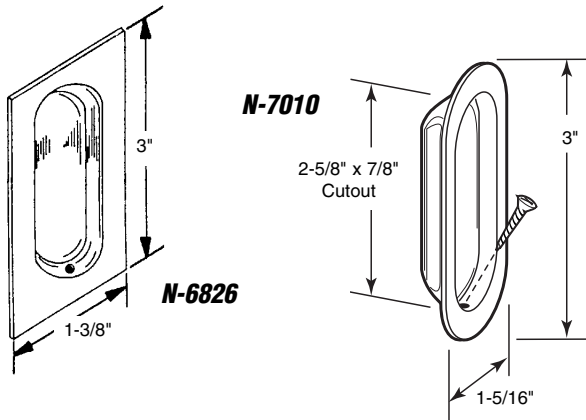
## Pull Handle

**Contents:** 2 pull handles; 4 nails.

**Description:** Plated steel pull; fits a 2-1/8" diameter hole; held in place by 2 nails; used by many wardrobe door manufacturers.

\*50 bags per cut-case box.

You may wish to stock these related parts: **N-6698**.



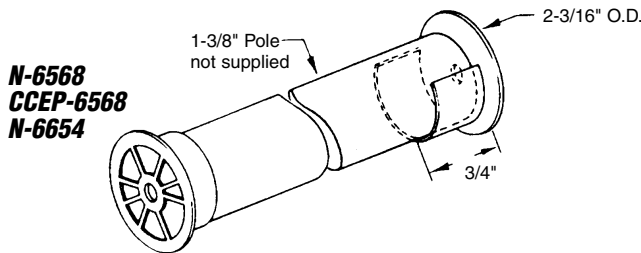
**N-6826** (Rectangular face)  
**N-7010** (Oval face)

## Pull Handle

**Contents:** 2 pulls; 4 nails or screws.

**Description:** Brass plated steel sliding door pull for pocket doors; fits a 7/8" x 2-5/8" mortise.

You may wish to stock these related parts: **N-6768**.



**N-6568**  
**CCEP-6568** (Bagged)\*  
**N-6654** (Bagged)\*\*

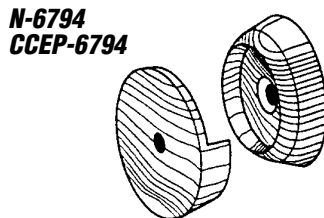
## Pole Sockets

**Contents:** 1 set of pole sockets; 2 no. 8 x 3/4" Phillips flat head sheet metal screws.

**Description:** Plastic pole sockets accept a 1-3/8" standard wood pole; universal design.

\*50 bags per cut-case box.

\*\*100 per bag.



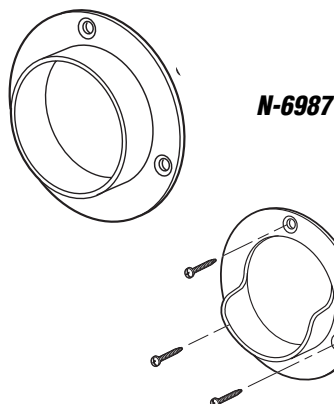
**N-6794**  
**CCEP-6794** (Bagged)\*

## Pole Sockets

**Contents:** 1 set of sockets; with fasteners.

**Description:** Wood socket for standard 1-3/8" diameter pole.

\*50 bags per cut-case box.



**N-6987** (Brass finish)

## Pole Sockets

**Contents:** 1 set of sockets with fasteners.

**Description:** Plated stamped steel socket for standard 1-3/8" diameter pole.

You may wish to stock these related parts: **N-6794**, **N-6654**, **N-6980**.

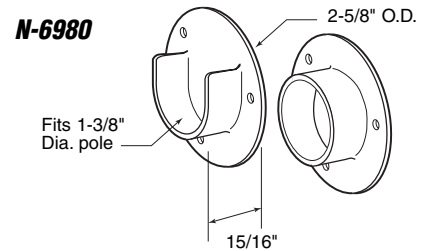
## N-6980 (White)

### Pole Sockets

**Contents:** 1 set of sockets; with fasteners.

**Description:** Diecast socket for standard 1-3/8" diameter pole.

You may wish to stock these related parts: **N-6794, N-6568.**



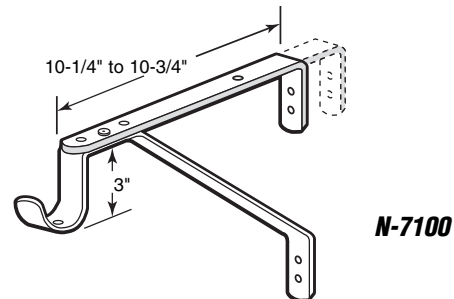
## N-7100 (Light gray)

### Shelf & Rod Support Bracket

**Contents:** 1 bracket; 2 no. 8 x 5/8" screws; 2 no. 10 x 1-1/2" Phillips pan head sheet metal screws.

**Description:** Heavy duty (12 ga.) painted steel bracket; 1/2" adjustment for use with or without shelf cleats; 3" hook allows easy accessibility of coat hangers to rod; will support shelves 11" to 14" deep and rods up to 1-3/8" diameter.

You may wish to stock these related parts: **N-7099, N-7101.**



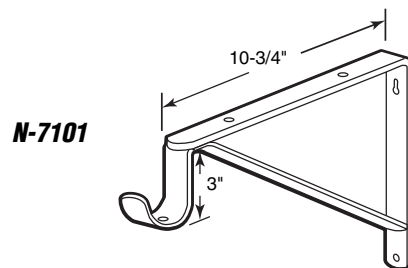
## N-7101 (Light gray)

### Shelf & Rod Support Bracket

**Contents:** 1 bracket; 2 no. 8 x 5/8" screws; 2 no. 10 x 1-1/2" Phillips pan head sheet metal screws.

**Description:** Heavy duty (12 ga.), non-adjusting, painted steel bracket; 3" hook allows easy accessibility of coat hangers to rod; will support shelves 11" to 14" deep and rods up to 1-3/8" diameter.

You may wish to stock these related parts: **N-7099, N-7100.**



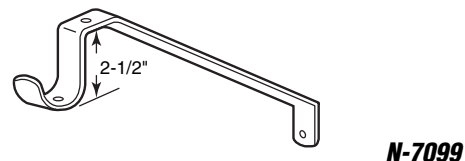
## N-7099 (Light gray)

### Shelf & Rod Support Bracket

**Contents:** 1 bracket; 2 no. 8 x 5/8" screws; 2 no. 10 x 1-1/2" Phillips pan head sheet metal screws.

**Description:** Painted (16 ga.) steel bracket; used to support shelves 11" to 14" deep and rods up to 1-3/8" diameter.

You may wish to stock these related parts: **N-7100, N-7101.**



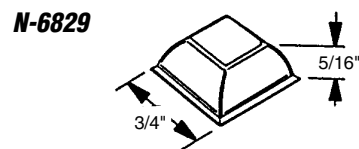
## N-6829

### Adhesive Bumpers

**Contents:** 4 bumpers.

**Description:** Anti-slam protective stops; resilient polyurethane; pressure sensitive adhesive; no screws necessary.

You may wish to stock these related parts: **N-6698, N-6699.**



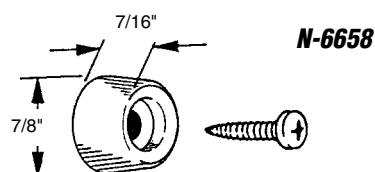
## N-6658

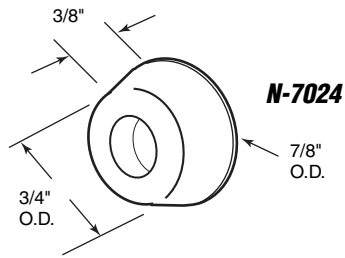
### Jamb Bumper

**Contents:** 4 bumpers; 4 no. 8 x 3/4" Phillips pan head sheet metal screws.

**Description:** Rubber bumper mounts onto jamb to prevent wardrobe doors from slamming.

You may wish to stock these related parts: **N-6698, N-6699.**





**N-7024**

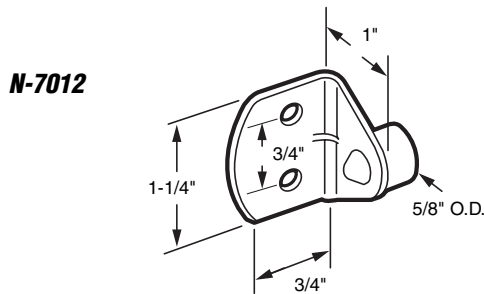
## N-7024

### Jamb Bumper

**Contents:** 4 bumpers.

**Description:** Clear polyurethane; self adhesive backed.

You may wish to stock these related parts: **N-6698, N-6699.**



**N-7012**

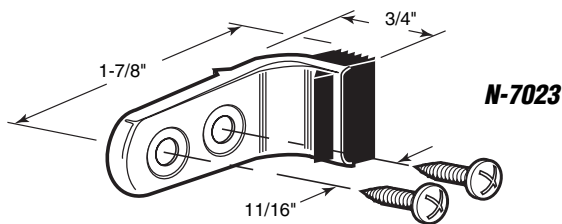
## N-7012

### Door Bumper

**Contents:** 1 stop; 3 no. 8 x 3/4" Phillips pan head sheet metal screws.

**Description:** Nylon housing with rubber bumper; designed for mounting on the back of the front bi-passing door to limit the travel of the rear door.

You may wish to stock these related parts: **N-6698, N-6699.**



**N-7023**

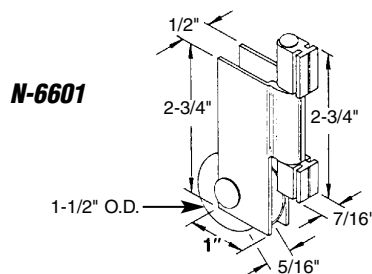
## N-7023

### Door Stop

**Contents:** 1 stop; 2 no. 8 x 3/4" Phillips pan head sheet metal screws.

**Description:** Zinc plated steel housing with rubber bumper; designed for mounting on the back of the front bi-passing door to limit the travel of the rear door.

You may wish to stock these related parts: **N-6698, N-6699.**



**N-6601**

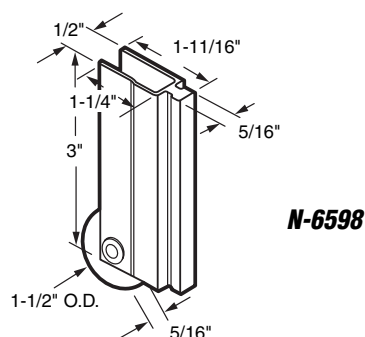
## N-6601

### Roller

**Contents:** 1 roller assembly.

**Description:** 1-1/2" diameter nylon ball bearing wheel; 3 piece pivoting aluminum housing assembly; fits on *Monarch Door Company* for "800" series aluminum frame doors.

Call for  
Availability



**N-6598**

## N-6598

### Roller

**Contents:** 1 roller assembly.

**Description:** 1-1/2" diameter nylon ball bearing wheel; with adjustable aluminum housing bracket; bracket has "T" shaped extruded boss; fits on *Contractors Mirror Door Company*.

You may wish to stock these related parts: **N-6872.**

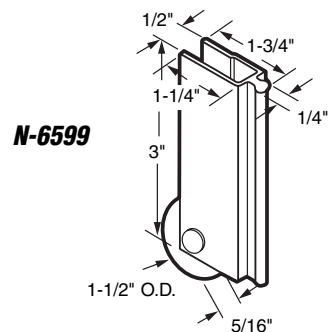
## N-6599

### Roller

**Contents:** 1 roller assembly.

**Description:** 1-1/2" diameter **nylon ball bearing** wheel; with adjustable **aluminum** housing bracket; bracket has round extruded boss; fits on **Monarch Door Company for "500" series** aluminum frame doors.

You may wish to stock these related parts: **N-6665**.



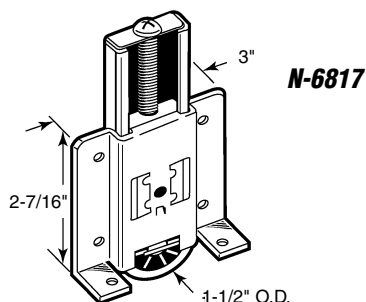
## N-6817

### Mirror Door Roller

**Contents:** 1 roller assembly; 1 set of installation screws.

**Description:** Adjustable **steel** housing with 1-1/2" diameter concave, **non-ball bearing plastic** wheel; used on **Cox Series 21 and 22 Door Systems**.

You may also wish to stock these related parts: **N-6818**.



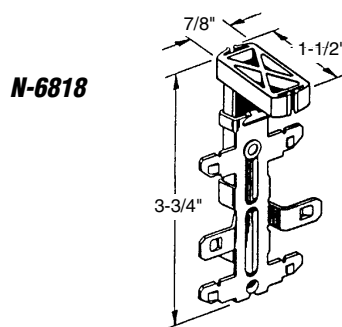
## N-6818

### Mirror Door Top Guide

**Contents:** 2 guide assemblies.

**Description:** **Steel** snap-in design housing with **plastic** guide head; used on **Cox Series 21 Steel Door Systems**.

You may also wish to stock these related parts: **N-6817**.



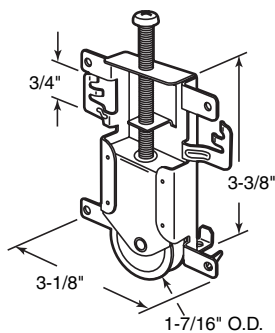
## N-6820

### Mirror Door Roller

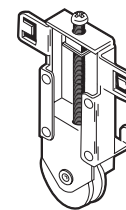
**Contents:** 1 roller assembly

**Description:** Adjustable **steel** housing with 1-7/16" diameter **concave nylon ball bearing** wheel; used on steel framed doors, snap-in design.

You may also wish to stock these related parts: **N-6821**.



**N-6820**



**Old Style**

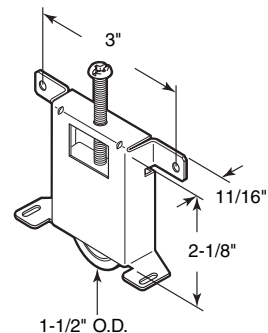
## N-6861

### Mirror Door Roller

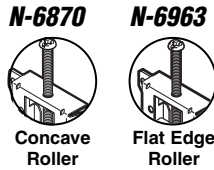
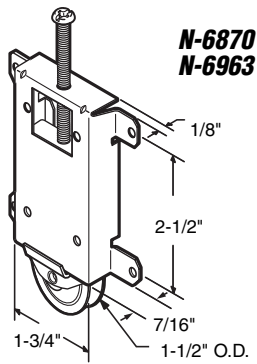
**Contents:** 1 roller assembly.

**Description:** Adjustable **steel** housing; 1-1/2" diameter **concave nylon ball bearing** wheel; most commonly used on wood framed sliding mirror doors.

**N-6861**





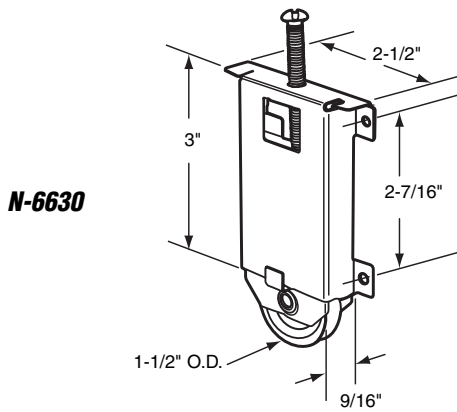


**N-6870** (Concave roller)  
**N-6963** (Narrow style - flat edge roller)

## Mirror Door Roller

**Contents:** 1 roller assembly.

**Description:** Adjustable steel housing; 1-1/2" diameter nylon wheel; fits on *Contractors Mirror Door*.



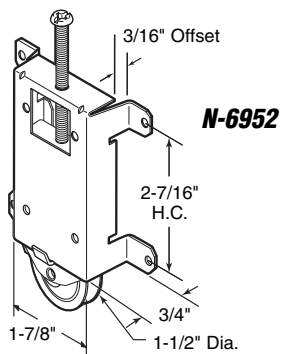
## N-6630

### Mirror Door Roller

**Contents:** 1 roller assembly.

**Description:** 1-1/2" diameter concave nylon ball bearing wheel; steel housing with adjustment screw; fits on *Monarch Mirror Doors "L" series* steel frame door.

You may wish to stock these related parts: **N-6597, N-6631**.

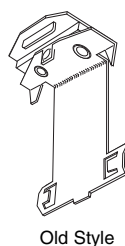


## N-6952

### Mirror Door Roller

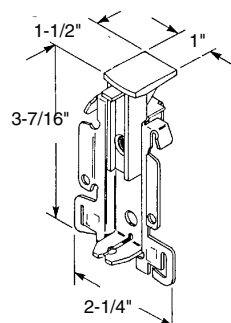
**Contents:** 1 roller assembly.

**Description:** 1-1/2" diameter nylon wheel; steel housing with adjustment screw; used by several mirror door manufacturers.



Old Style

## N-6821



## N-6821

### Mirror Door Top Guide

**Contents:** 2 guides.

**Description:** Steel snap-in design housing with plastic guide head; used on steel framed doors.

You may wish to stock these related parts: **N-6820**.

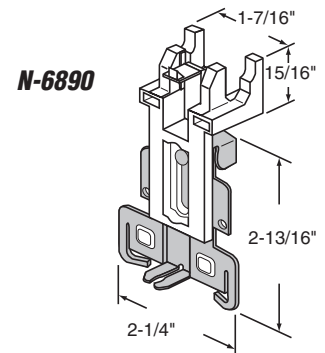
## N-6890

### Mirror Door Top Guide

**Contents:** 2 guides.

**Description:** Steel snap-in design housing with plastic guide head; used on *Acme* doors.

You may wish to stock these related parts: **N-6970**.



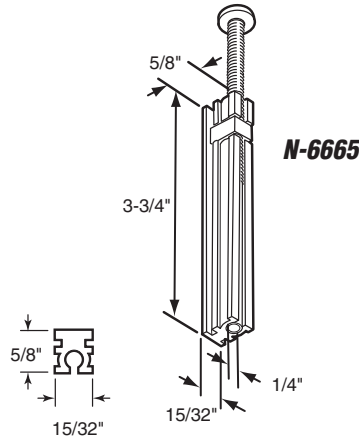
## N-6665

### Mirror Door Roller Mounting Bracket

**Contents:** 1 bracket with adjustment screw.

**Description:** Extruded aluminum adjustment bracket used with **N-6599**; fits on *Monarch Mirror for series 500* aluminum framed doors.

You may wish to stock these related parts: **N-6597**, **N-6598**, **N-6631**.



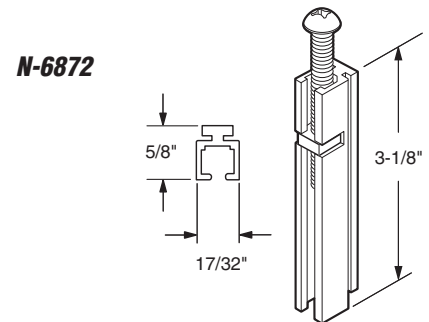
## N-6872

### Mirror Door Roller Mounting Bracket

**Contents:** 1 bracket with adjustment screw.

**Description:** Extruded aluminum adjustment bracket used with **N-6598**; fits on *Contractors Mirror Door* on aluminum framed doors.

You may wish to stock these related parts: **N-6597**, **N-6598**, **N-6631**.



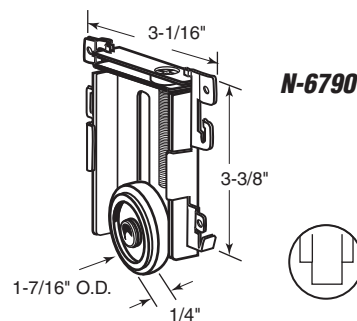
## N-6790

### Mirror Door Bottom Roller

**Contents:** 1 roller assembly.

**Description:** 1-7/16" diameter, flat nylon non-ball bearing wheel with adjustable steel housing, snap-in bracket for steel framed doors.

You may wish to stock these related parts: **N-6791**, **N-6945**.



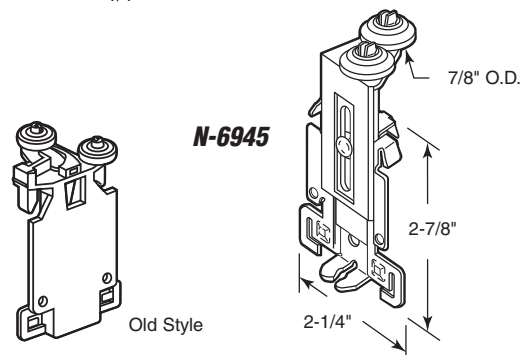
## N-6945

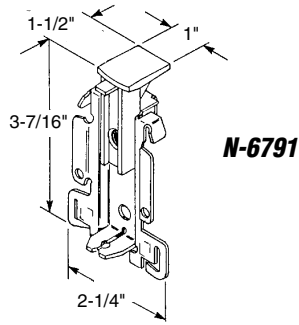
### Mirror Door Top Guide

**Contents:** 1 top guide assembly.

**Description:** Twin rubber guide wheels; mounted horizontally on a stamped steel, snap-in housing; for steel framed doors.

You may wish to stock these related parts: **N-6790**.





**N-6791**

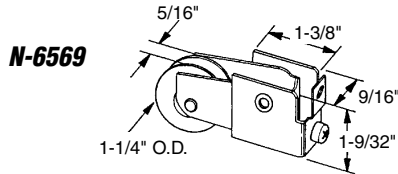
## N-6791

### Mirror Door Top Guide

**Contents:** 2 top guide assemblies.

**Description:** Nylon top guide; stamped steel, snap-in housing; for steel framed doors.

You may wish to stock these related parts: **N-6790**.



**N-6569**

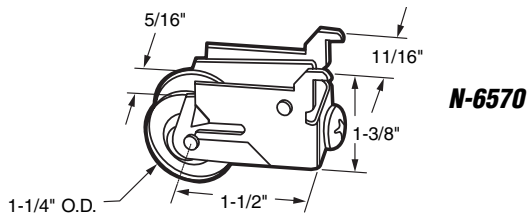
## N-6569

### Mirror Door Roller Assembly

**Contents:** 1 roller assembly.

**Description:** 1-1/4" diameter nylon ball bearing wheel; adjustable steel housing assembly; fits on *Glassco* and other manufacturers.

You may wish to stock these related parts: **N-6942**.



**N-6570**

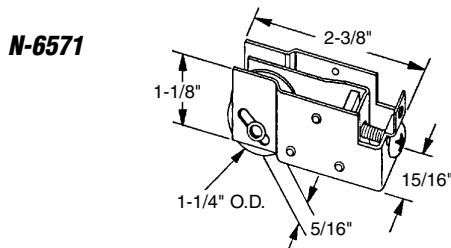
## N-6570

### Mirror Door Roller Assembly

**Contents:** 1 roller assembly.

**Description:** 1-1/4" diameter nylon ball bearing wheel; adjustable steel housing assembly; fits on *El Cajon*, *Premiere* and several other mirror door manufacturers.

You may wish to stock these related parts: **N-6942**.



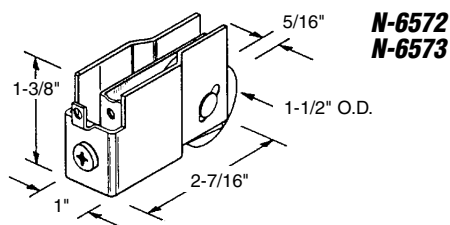
**N-6571**

## N-6571

### Mirror Door Roller Assembly

**Contents:** 1 roller assembly.

**Description:** 1-1/4" diameter nylon ball bearing wheel; adjustable steel housing assembly.



**N-6572**  
**N-6573**

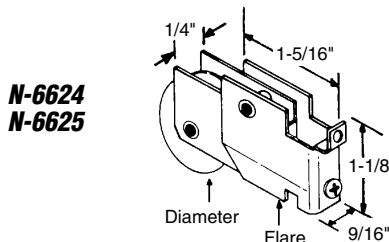
**N-6572** (Nylon ball bearing)

**N-6573** (Steel ball bearing)

### Mirror Door Roller Assembly

**Contents:** 1 roller assembly.

**Description:** 1-1/2" diameter ball bearing wheel; adjustable steel housing assembly; fits on *Joe Keith Company*.



**N-6624**  
**N-6625**

**N-6624** (1-1/8" diameter - steel ball bearing)

**N-6625** (1-1/4" diameter - nylon ball bearing)

### Mirror Door Roller Assembly

**Contents:** 1 roller assembly.

**Description:** Ball bearing wheel; adjustable steel housing assembly; overall width at flare is 11/16"; fits on *Crest Mirror Door*, *Manufacturers Mirror Door* and others.

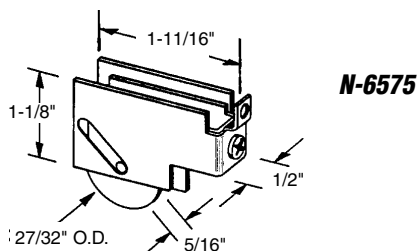
**Note:** Old part no. **N-6574** is the same as **N-6624**.

## N-6575

### Mirror Door Roller Assembly

**Contents:** 1 roller assembly.

**Description:** 27/32" diameter **steel ball bearing** wheel; adjustable **steel** housing assembly; fits on *Manufacturers Mirror Door* and *House of Aluminum*.

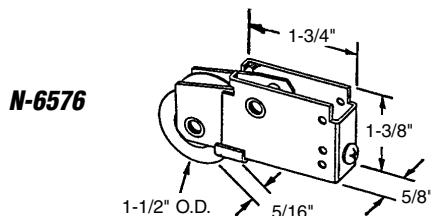


## N-6576

### Mirror Door Roller Assembly

**Contents:** 1 roller assembly.

**Description:** 1-1/2" diameter **nylon ball bearing** wheel; adjustable **steel** housing assembly; fits on *Marshall Door*.



## N-6621

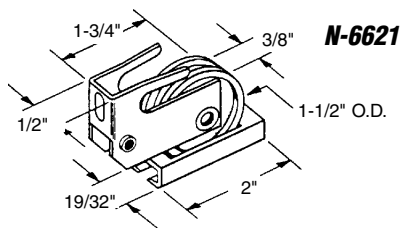
### Mirror Door Roller Assembly

Call for  
Availability

**Contents:** 1 roller assembly

**Description:** 1-1/2" diameter **nylon** wheel; **special steel** and **plastic** housing assembly; fits on *Ador/HiLite Mirror Wardrobe Doors*.

You may also wish to stock these related parts: **N-6635**, **N-6657**.

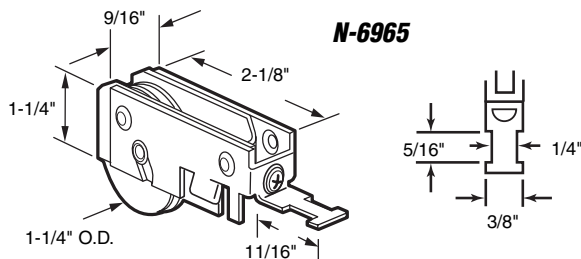


## N-6965

### Mirror Door Roller Assembly

**Contents:** 1 roller assembly.

**Description:** 1-1/4" diameter **nylon ball bearing** wheel; adjustable **steel** housing assembly; fits on *Bay King* and other door manufacturers.

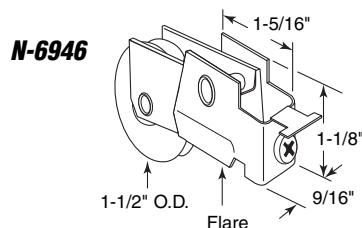


## N-6946

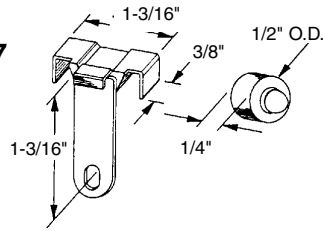
### Mirror Door Roller Assembly

**Contents:** 1 roller assembly.

**Description:** 1-1/2" diameter **nylon ball bearing** wheel; adjustable **steel** housing assembly; overall width at flare is 25/32"



**N-6657**



## N-6657

### Mirror Door Guide and Bumper

**Contents:** 2 guides; 2 bumpers.

**Description:** Nylon top guide designed for sliding mirror doors; rubber bumper fits onto vertical door rail; fits on *Ador/HiLite*.

You may also wish to stock these related parts: **N-6621, N-6635.**

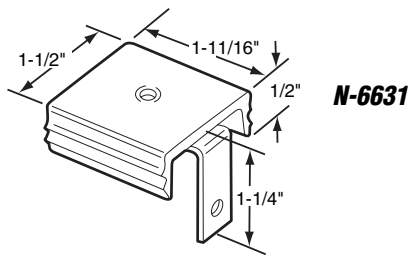
## N-6631

### Mirror Door Guide & Bracket

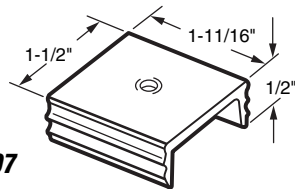
**Contents:** 2 top guides; (2) no. 10 x 1/2" Phillips pan head sheet metal screws.

**Description:** Flexible plastic top guide with steel mounting bracket used on *Monarch Sliding Mirror Doors*; replaces old style "K" Design.

You may wish to stock these related parts: **N-6597, N-6599, N-6630.**



**N-6597**



## N-6597

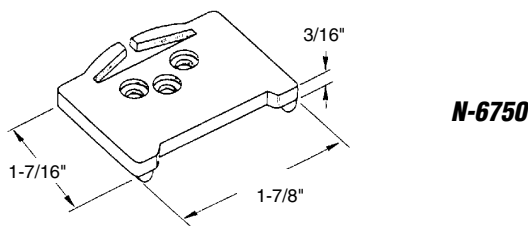
### Mirror Door Guide

**Contents:** 2 guides; (2) no. 10 x 3/8" Phillips pan head sheet metal screws.

**Description:** Flexible vinyl guide used to replace top guide on *Monarch* mirror door guide **N-6631**.

You may also wish to stock these related parts: **N-6598, N-6599, N-6630.**

Call for  
Availability



## N-6750

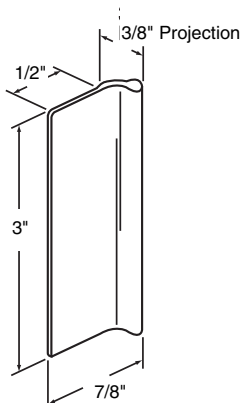
### Mirror Door Top Guides

**Contents:** 2 guides.

**Description:** Nylon top guides used on sliding mirror doors; used on *Contractors Wardrobe* doors.

You may also wish to stock these related parts: **N-6597, N-6630.**

**N-6968**  
**N-6969**  
**N-6970**  
**N-6971**



**N-6968** (Polished gold)

**N-6969** (Chrome)

**N-6970** (Bronze)

**N-6971** (White)

### Mirror Door Pull

**Contents:** 1 pull.

**Description:** Plated or painted diecast pull; supplied with pressure sensitive adhesive backing.

# Bi-pass Door Hardware

**N-6972** (Polished gold)

**N-6973** (Chrome)

**N-6974** (Bronze)

**N-6975** (White)

## Mirror Door Pull

**Contents:** 1 pull.

**Description:** Plated or painted diecast pull; supplied with pressure sensitive adhesive backing.

## N-6942

### Mirror Door Pull

**Contents:** 2 pulls.

**Description:** Beveled mirrored glass pull; pressure sensitive adhesive backing.

## N-6767

### Guide

**Contents:** 2 guides; (6) no. 8 x 5/8" Phillips pan head sheet metal screws.

**Description:** Nylon construction; one piece design; bottom mount; for 1-3/8" thick doors, universal design.

You may wish to stock these related parts: **N-6560**, **N-6562**, **N-6565**.

## N-6560

**CCEP-6560** (2 per bag)\*

### Guide

**Contents:** 2 guide assemblies; (4) no. 8 x 3/4" Phillips pan head sheet metal screws.

**Description:** Steel base with nylon tips; adjustable bottom bracket; fits 3/4" to 1-3/8" thick bi-passing doors; fits on *Acme* and others.

\*30 bags per cut case box.

You may wish to stock these related parts: **N-6500**, **N-6501**, **N-6502**, **N-6503**.

## N-6796

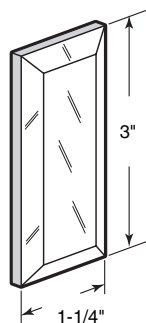
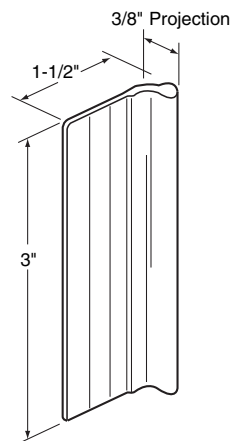
### Guide

**Contents:** 1 guide assembly; 1 set of fasteners.

**Description:** Steel base with nylon guide tips; adjustable for either 3/4" or 1-3/8" thick doors; designed for use with **N-6795** carpet riser; fits on *Johnson Hardware*.

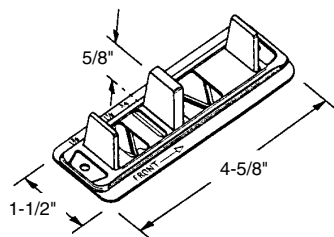
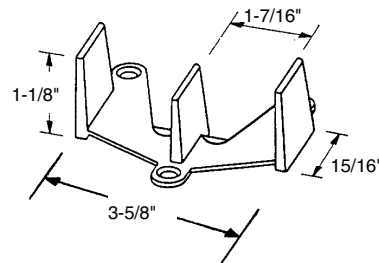
You may wish to stock these related parts: **N-6840**, **N-6841**.

**N-6972**  
**N-6973**  
**N-6974**  
**N-6975**



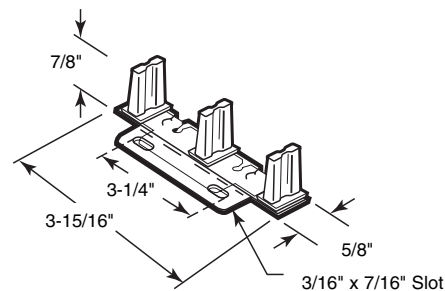
**N-6942**

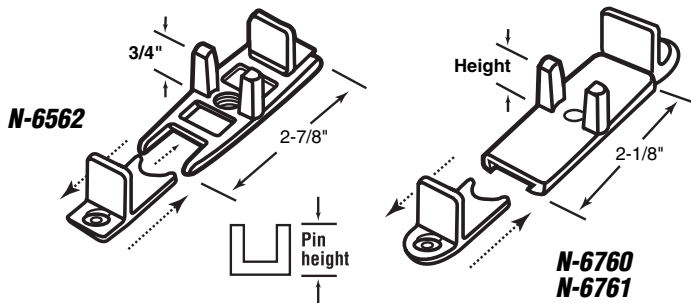
**N-6767**



**N-6560**  
**CCEP-6560**

**N-6796**





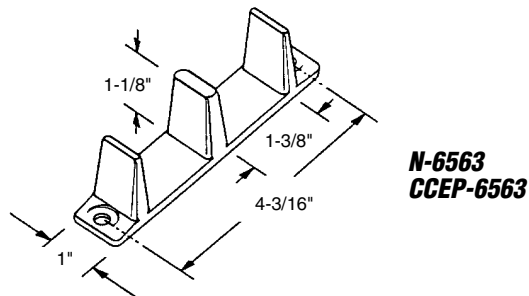
**N-6562** (3/4" high spacer pins)  
**N-6760** (1" high spacer pins)  
**N-6761** (1-1/4" high spacer pins)

## Guide

**Contents:** 2 guide assemblies; (6) no. 8 x 3/4" Phillips pan head sheet metal screws.

**Description:** Nylon guide pins; adjustable, nylon bottom mount bracket; fits 3/4" to 1-3/8" thick bi-passing doors; used by many manufacturers.

You may wish to stock these related parts: **N-6648, N-6649, N-6717 thru N-6722.**



**N-6563**  
**CCEP-6563** (2 per bag)\*

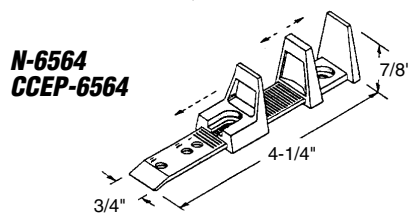
## Guide

**Contents:** 2 guides; (4) no. 8 x 3/4" Phillips pan head sheet metal screws.

**Description:** Nylon; bottom mount; for 1-3/8" thick bi-passing doors; universal design.

**\*30 bags per cut case box.**

You may wish to stock these related parts: **N-6500 thru N-6515.**



**N-6564**  
**CCEP-6564** (2 per bag)\*

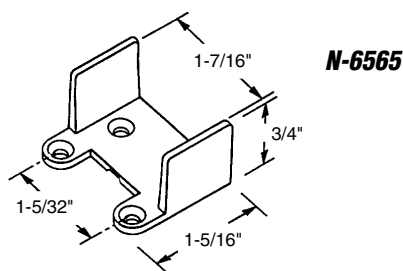
## Guide

**Contents:** 2 guides; (4) no. 8 x 3/4" Phillips pan head sheet metal screws.

**Description:** Floor mount; nylon adjustable guide for 3/4" to 1-3/8" thick bi-passing doors; universal design.

**\*40 bags per cut case box.**

You may wish to stock these related parts: **N-6500 thru N-6515.**



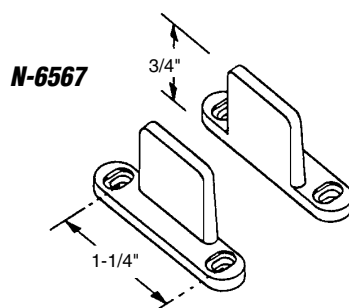
**N-6565**

## Guide

**Contents:** 1 guide; (4) no. 8 x 3/4" Phillips pan head sheet metal screws.

**Description:** Single door; bottom mount; nylon retainer; used by many manufacturers.

You may wish to stock these related parts: **N-6526 thru N-6533.**



**N-6567**

## Guide

**Contents:** 1 set of nylon guides; (4) no. 8 x 3/4" Phillips pan head sheet metal screws.

**Description:** Floor mount nylon bottom guides; use one pair for any thickness single door, or can be installed in series for multiple doors.

You may wish to stock these related parts: **N-6512 thru N-6515.**

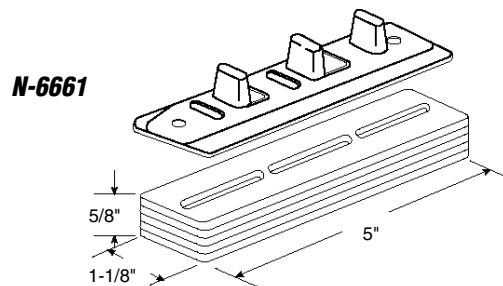
## N-6661

### Guide and Carpet Risers

**Contents:** 1 guide; 5 riser plates; 2 installation screws and 2 plastic anchors.

**Description:** Nylon bottom guide tips with steel bracket adjusts for 3/4" to 1-3/8" thick doors; 1/8" thick plastic shim plates to raise guide up to 5/8" above carpet.

You may wish to stock these related parts: **N-6500, N-6501, N-6560, N-6561.**



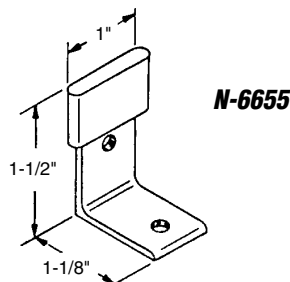
## N-6655

### Bottom Guide Brackets

**Contents:** 2 brackets; (2) no. 8 x 1/2" Phillips pan head sheet metal screws.

**Description:** Aluminum bracket with nylon tip; used as a floor guide on sliding wardrobe doors; fits on *Like*.

You may wish to stock these related parts: **N-6528, N-6529, N-6664.**



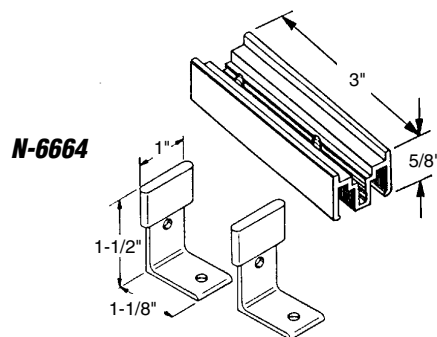
## N-6664

### Guides and Carpet Riser

**Contents:** 1 riser block; 2 guides; 1 set of installation screws.

**Description:** Aluminum riser block and aluminum brackets with nylon tips used to guide *Like* bi-passing doors.

You may wish to stock these related parts: **N-6655.**



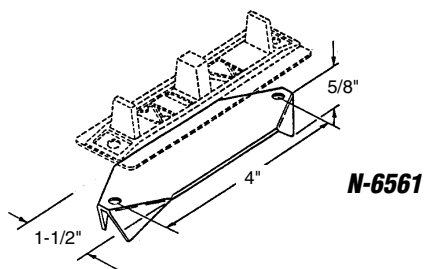
## N-6561

### Carpet Riser

**Contents:** 1 riser; (2) no. 8 x 1-1/4" Phillips pan head sheet metal screws.

**Description:** Plated steel riser used for mounting door guide over carpeted floors; 5/8" high rise.

You may wish to stock these related parts: **N-6560, N-6563.**



## N-6795

### Carpet Riser

**Contents:** 1 riser; 1 set of fasteners.

**Description:** Steel riser used for mounting door guide over carpeted floors; allows 5/8" lift; designed specifically for use with **N-6796** door guide; fits on *Johnson Hardware*.

You may wish to stock these related parts: **N-6796, N-6840, N-6841.**

