

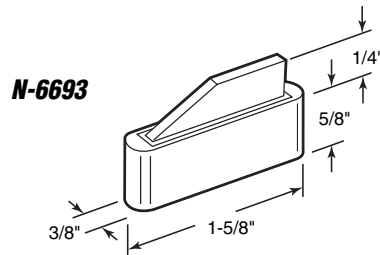
N-6900 (White)

Carpet Riser

Contents: 5 risers; 1 set of fasteners.

Description: Nylon risers used for mounting guide over carpeted floors; allows lift from 1/8" thick to 5/8".

You may wish to stock these related parts: **N-6560, N-6562, N-6563, N-6564, N-6761.**



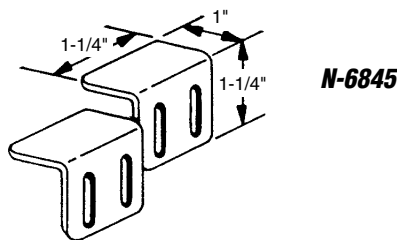
N-6693

Top Guide

Contents: 2 guides.

Description: Spring loaded nylon top guide adjusts for variations in opening height; requires a 1/8" groove in top track; fits a 1-5/8" x 3/8" x 5/8" mortise slot in door rail.

You may wish to stock these related parts: **N-6675 thru N-6692.**



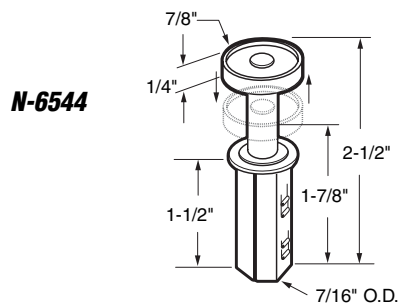
N-6845

"Jump-Proof" Guard™

Contents: 4 guards with installation screws

Description: Plated steel Jump-Proof Guard™ brackets; use 2 per door; prevents doors from jumping the track; mounts next to roller at top of door; limits upward door movement.

You may wish to stock these related parts: **N-6658; N-6846.**



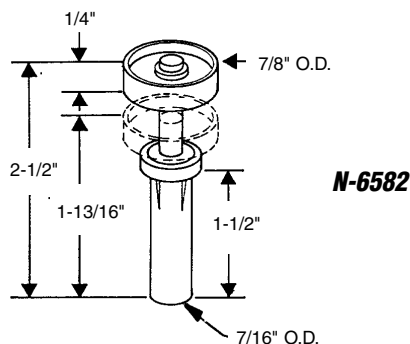
N-6544

Guide Wheel

Contents: 2 guide wheels.

Description: Spring loaded; 7/8" diameter nylon wheel; top mount; self-adjusting in track for smooth guiding of lead door; fits 1" to 1-3/8" thick bi-fold doors up to 30 lbs. each; steel base; fits on *Acme* and *Cox*.

You may wish to stock these related parts: **N-6540, N-6542, N-6543, N-6545.**



N-6582

Guide Wheel

Contents: 2 guide wheels.

Description: Spring loaded; 7/8" diameter nylon wheel; top mount; self-adjusting in track for smooth guiding of lead door; fits 1" to 1-3/8" thick bi-fold doors up to 30 lbs. each; nylon base; fits on *Cox*.

You may wish to stock these related parts: **N-6583, N-6584, N-6587.**

N-6703

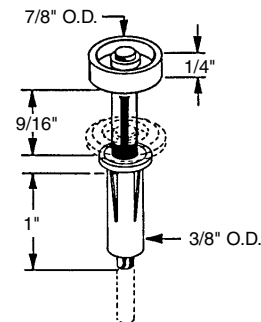
Guide Wheel

Contents: 2 guide wheels.

Description: Spring loaded **top guide** has 7/8" diameter **nylon** wheel; 3/8" diameter **nylon** base; fits on **Kenna Frame** and others.

You may wish to stock these related parts: **N-6700, N-6706.**

N-6703



N-6704

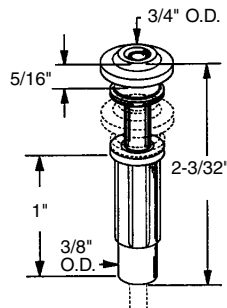
Guide Wheel

Contents: 2 guide wheels.

Description: Spring loaded **top guide** has 3/4" diameter **nylon** wheel; 3/8" diameter **nylon** base; used by many wardrobe door manufacturers.

You may wish to stock these related parts: **N-6606, N-6700, N-6706, N-6712.**

N-6704



N-6705

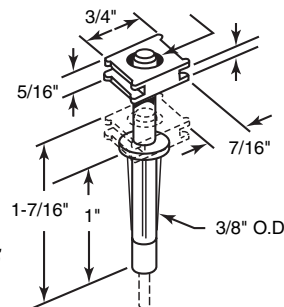
Guide

Contents: 2 guides.

Description: Spring loaded **top guide** has square **nylon** guide tip and 7/16" inside slot; 3/8" diameter **nylon** base; fits on **Alliance** and others.

You may wish to stock these related parts: **N-6700, N-6706, N-6712, N-6948.**

N-6705



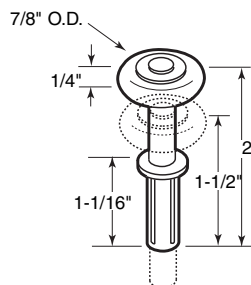
N-6953

Guide Wheel

Contents: 2 guide wheels.

Description: 7/8" diameter **nylon** wheel on spring-loaded **steel** shaft; **top mount**; **plastic** housing tapers to 3/8" diameter; use hammer to tap into drilled hole.

N-6953



N-6611

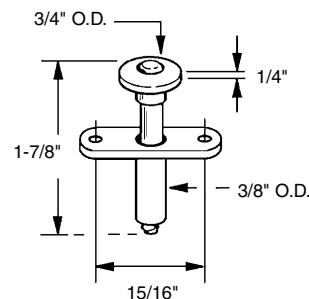
Guide Wheel

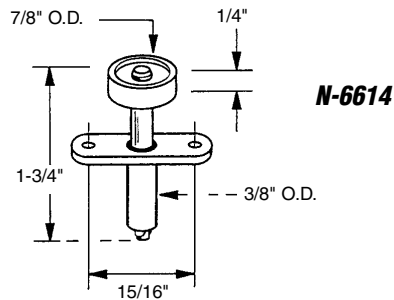
Contents: 2 guide wheels; (4) 1-1/4" nails.

Description: Spring loaded; 3/4" diameter **nylon** wheel; **top mount**; self-adjusting; **steel** base; fits 1" to 1-3/8" thick bi-fold doors up to 30 lbs. each.

You may wish to stock these related parts: **N-6612, N-6613.**

N-6611





N-6614

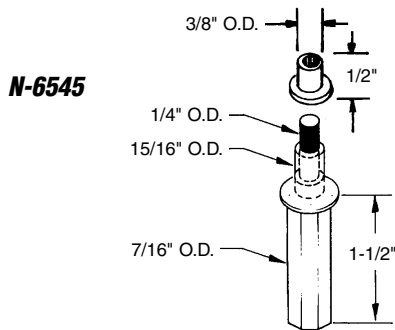
N-6614

Guide Wheel

Contents: 2 guide wheels; (4) 1-1/4" nails.

Description: Spring loaded; 7/8" diameter **nylon** wheel; top mount; self-adjusting; **steel** base; fits 1" to 1-3/8" thick bi-fold doors up to 30 lbs. each.

You may wish to stock these related parts: **N-6612, N-6613.**



N-6545

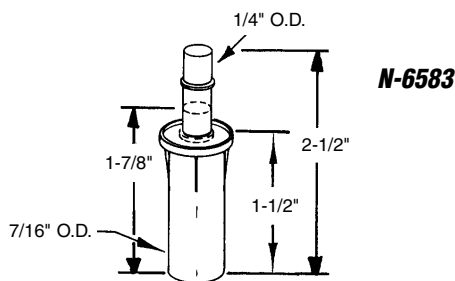
N-6545

Pivot

Contents: 2 pivots; 2 optional guide caps.

Description: **Top mount**; spring loaded pin; fits 1" to 1-3/8" thick bi-fold doors up to 50 lbs. each; **steel** base; 3/8" diameter **nylon** guide cap; fits on **Acme** and **Cox**.

You may wish to stock these related parts: **N-6534, N-6539, N-6542, N-6543, N-6546.**



N-6583

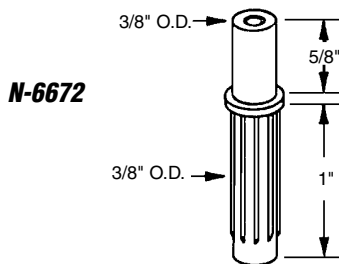
N-6583

Pivot

Contents: 2 pivots.

Description: **Top mount**; spring loaded pin; fits 1" to 1-3/8" thick bi-folding doors up to 30 lbs. each; **nylon** base; fits on **Cox**.

You may wish to stock these related parts: **N-6577, N-6584, N-6587.**



N-6672

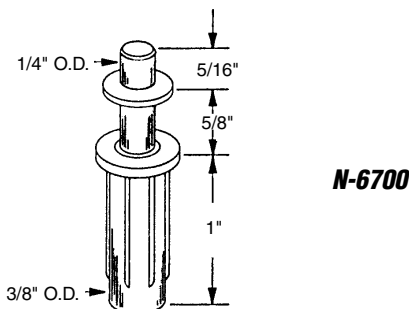
N-6672

Pivot and Guide

Contents: 4 pivot guides.

Description: **Solid nylon** guide and pivot; 3/8" diameter base; **top mount**; used by many wardrobe door manufacturers.

You may wish to stock these related parts: **N-6673, N-6674, N-6696, N-6697, N-6823.**



N-6700

N-6700

Pivot

Contents: 2 pivots.

Description: Spring loaded pivot has 1/4" diameter pin; 3/8" diameter **nylon** base; **top mount**; used by many wardrobe door manufacturers.

You may wish to stock these related parts: **N-6712, N-6713.**

N-6701

Pivot and Guide

Contents: 2 pivot guides.

Description: Spring loaded pivot guide; 7/16" diameter nylon cap with 7/16" diameter nylon base; top mount; fits on *Johnson* and others.

You may wish to stock these related parts: **N-6707; N-6844.**

N-6702

Pivot

Contents: 2 pivots.

Description: Spring loaded pivot has 19/32" diameter nylon cap; 3/8" diameter nylon base; top mount; used by many wardrobe door manufacturers.

You may wish to stock these related parts: **N-6700, N-6703, N-6706.**

N-6782

Pivot

Contents: 2 pivots; 2 caps.

Description: Spring loaded guide with a 3/8" diameter nylon base; top mount; includes a 3/8" diameter nylon cap.

N-6612

Pivot

Contents: 2 pivot assemblies; (4) 1-1/4" nails.

Description: Top mount steel pivot with concealed spring loaded pin for easy hanging and operating of doors.

You may wish to stock these related parts: **N-6611, N-6613.**

N-6982

Pivot

Contents: 2 pivots.

Description: Top mount nylon pivot; spring loaded pin for easy hanging and operating of doors.

N-6579

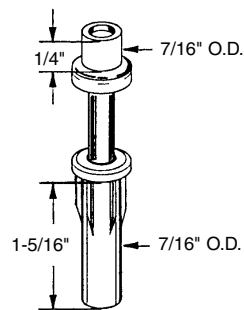
Guide

Contents: 4 top guides.

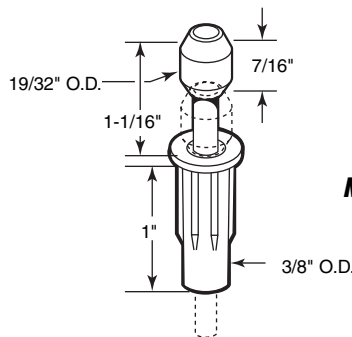
Description: Top mount; nylon guide for bi-fold doors; fits *Cox series 23*.

You may also wish to stock these related parts: **N-6580, N-6581.**

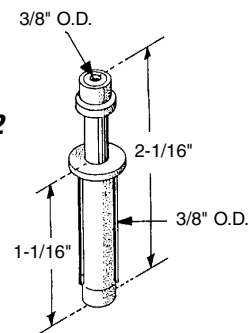
N-6701



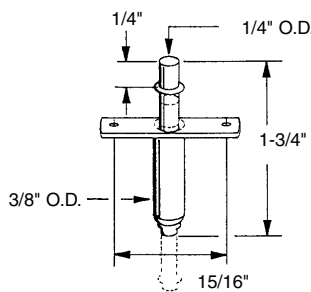
N-6702



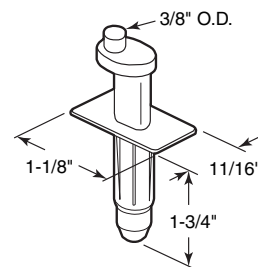
N-6782



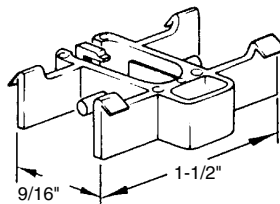
N-6612

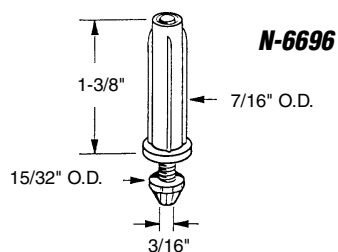
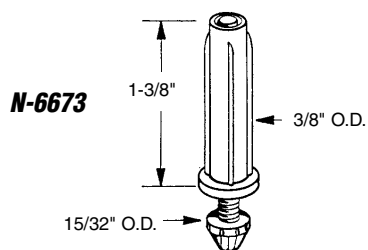
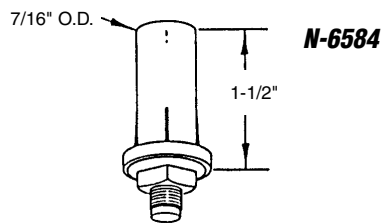
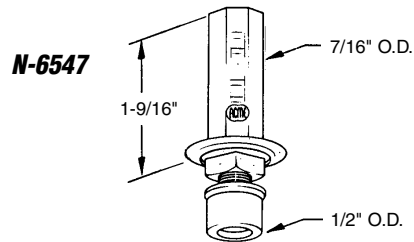
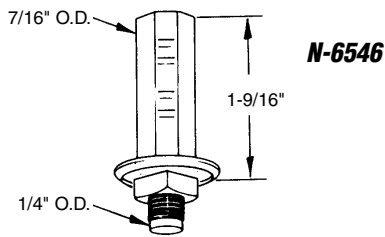


N-6982



N-6579





N-6546

Pivot

Contents: 2 pivots.

Description: Bottom mount; steel pivot with hex head bolt for quick vertical adjustment; fits 1" to 1-3/8" thick bi-fold doors up to 50 lbs. each; fits on *Acme* and *Cox*.

You may wish to stock these related parts: **N-6534, N-6539, N-6542, N-6543, N-6545.**

N-6547

Guide Wheel

Contents: 2 guide wheels.

Description: Adjustable; bottom mount; steel base guide with hex head bolt for adjustment; nylon wheel cap; for 1" to 1-3/8" thick folding doors up to 50 lbs each; fits on *Acme, Cox* and *Johnson*.

You may wish to stock these related parts: **N-6534, N-6545, N-6546, N-6822.**

N-6584

Pivot

Contents: 2 pivots.

Description: Bottom mount; nylon base pivot uses hex head bolt for quick vertical adjustment; holds positive adjustment; fits 1" to 1-3/8" thick bi-fold doors up to 30 lbs. each.

You may wish to stock these related parts: **N-6582, N-6583, N-6587.**

N-6673

Pivot

Contents: 2 pivots.

Description: Adjustable steel pivot; 3/8" diameter nylon base; bottom mount; grooved tip fits no. **N-6674** pivot bracket; used by many wardrobe door manufacturers.

You may wish to stock these related parts: **N-6672, N-6674, N-6823, N-6697.**

N-6696

Pivot

Contents: 2 pivots.

Description: Adjustable steel pivot; 7/16" diameter nylon base; bottom mount; grooved tip fits no. **N-6697** heavy duty pivot bracket; used by many wardrobe door manufacturers.

You may wish to stock these related parts: **N-6672.**

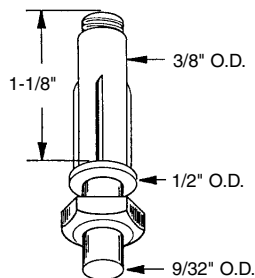
N-6706

Pivot

Contents: 2 pivots.

Description: Adjustable pivot has 3/8" diameter nylon base; **bottom mount**; used by many wardrobe door manufacturers.

You may wish to stock these related parts: **N-6543, N-6700, N-6714.**



N-6706

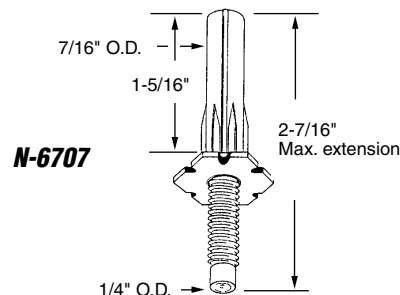
N-6707

Pivot

Contents: 2 pivots.

Description: Adjustable pivot has 7/16" diameter nylon base; 1/4" diameter steel tip; **bottom mount**; fits *Johnson* and others.

You may wish to stock these related parts: **N-6587, N-6701, N-6708, N-6711, N-6844.**



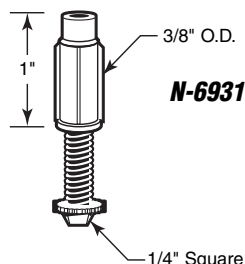
N-6707

N-6931

Pivot

Contents: 2 pivots.

Description: Adjustable pivot has 3/8" diameter nylon base; **bottom mount**; used by many wardrobe door manufacturers.



N-6931

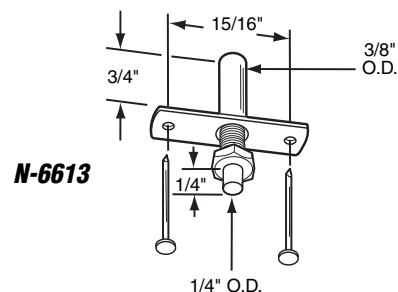
N-6613

Pivot

Contents: 2 pivots; (4) 1-1/2" nails.

Description: **Bottom mount; steel** pivot with hex head bolt for quick vertical adjustment; fits 1" to 1-3/8" thick bi-fold doors up to 30 lbs. each.

You may wish to stock these related parts: **N-6611, N-6612.**



N-6613

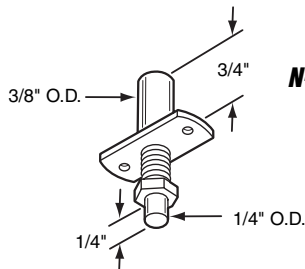
N-6644

Pivot

Contents: 1 pivot; (2) 1-1/2" drive nails.

Description: Adjustable **steel** pivot for light duty shutter doors; **bottom mount**.

You may wish to stock these related parts: **N-6643.**



N-6644

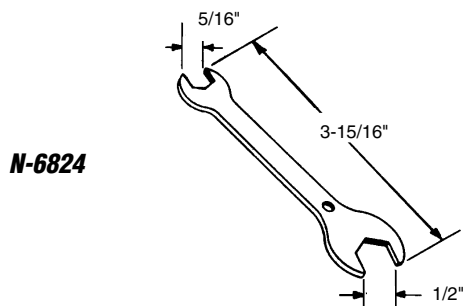
N-6824

Pivot Wrench

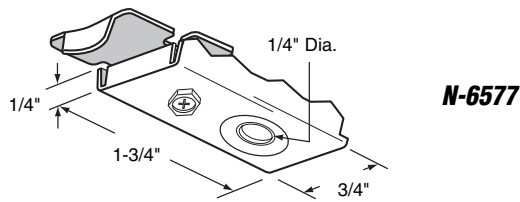
Contents: 1 wrench.

Description: **Stamped steel** wrench to adjust bottom pivot nuts.

You may wish to stock these related parts: **N-6542, N-6543, N-6546.**



N-6824



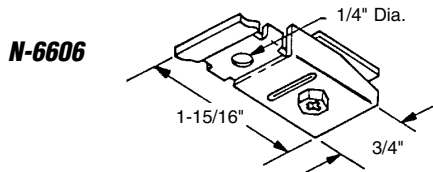
N-6577

Pivot Bracket

Contents: 1 bracket.

Description: Steel pivot bracket, for bi-folding doors; mounts into top track and accepts a 1/4" diameter spring loaded pin; for 7/8" wide tracks; fits on *Cox*.

You may wish to stock these related parts: **N-6582 thru N-6584, N-6587.**



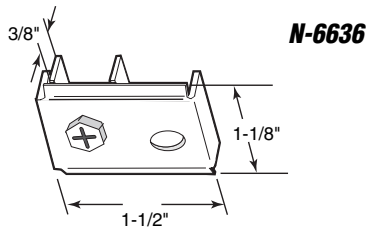
N-6606

Pivot Bracket

Contents: 1 bracket.

Description: Steel pivot bracket for bi-folding doors; mounts into top track; adjustable, used on *Acme "2900" series*.

You may wish to stock these related parts: **N-6539, N-6543, N-6544, N-6545, N-6656.**



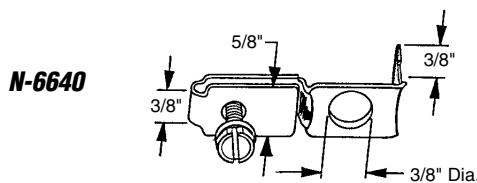
N-6636

Pivot Bracket

Contents: 1 bracket.

Description: Pivot bracket mounts into top track; stamped steel construction; used on *Acme "2600" series*.

You may wish to stock these related parts: **N-6534, N-6545, N-6546.**



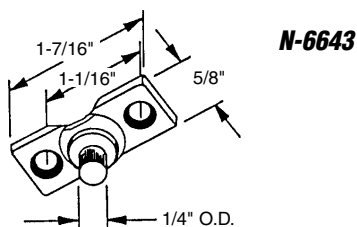
N-6640

Pivot Bracket

Contents: 1 bracket.

Description: Adjustable pivot bracket mounts into top or bottom track; stamped steel; fits on *Slimfold* and others.

You may wish to stock these related parts: **N-6637 thru N-6639.**



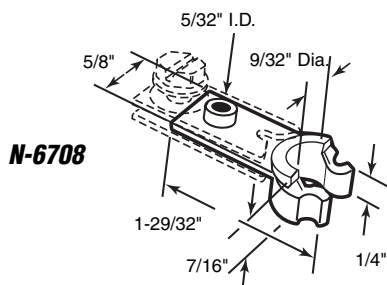
N-6643

Pivot Bracket

Contents: 1 bracket; (2) no. 8 x 3/4" screws.

Description: Steel pivot bracket used on light duty shutter doors; top mounted.

You may wish to stock these related parts: **N-6644.**



N-6708

Pivot Insert

Contents: 2 inserts.

Description: Nylon insert; installs into top track to accept top pivot; replaces *Johnson "old style"* hardware.

You may wish to stock these related parts: **N-6836, N-6701, N-6707.**

Call for
Availability

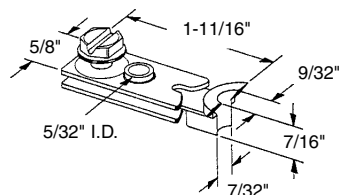
N-6709

Pivot Bracket

Contents: 1 bracket.

Description: Nylon base; steel bracket; installs into top track to accept top pivot; replaces *Johnson "old style"* hardware.

You may wish to stock these related parts: **N-6701, N-6707, N-6710.**



N-6709

N-6710

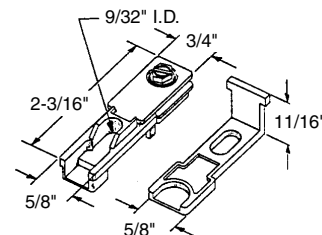
Pivot Bracket

Contents: 1 bracket.

Description: Plastic base; steel track clip; installs into top track to accept top pivot pin; replaces *Johnson "new style"* hardware.

You may wish to stock these related parts: **N-6831, N-6833, N-6834.**

N-6710



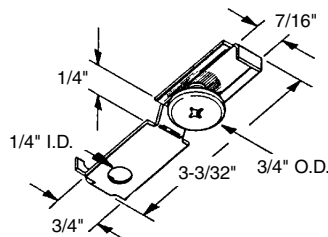
N-6712

Pivot Bracket

Contents: 1 bracket.

Description: Stamped steel bracket installs into top track; accepts top pivot pin; used on *Alliance duo-fold series "500"*.

You may wish to stock these related parts: **N-6700, N-6706, N-6714.**



N-6712

N-6713

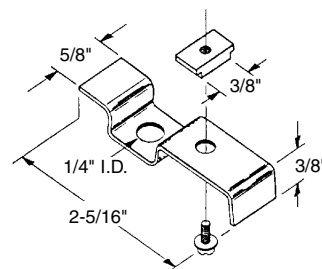
Pivot Bracket

Contents: 1 bracket.

Description: Stamped steel bracket installs into top track; accepts top pivot pin; used on *Alliance series "400"* bi-folding doors.

You may wish to stock these related parts: **N-6700, N-6704, N-6706.**

N-6713



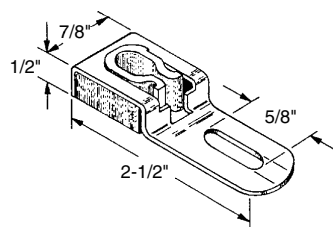
N-6792

Pivot Bracket

Contents: 1 bracket.

Description: Nylon pivot block mounted in a steel bracket; for a 1/4" diameter pin; mounts into top track.

You may wish to stock these related parts: **N-6784, N-6785, N-6786.**



N-6792

N-6798

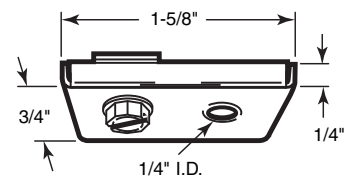
Pivot Bracket

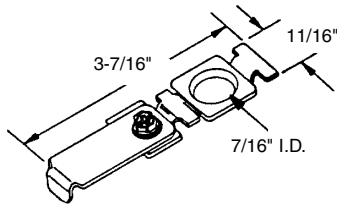
Contents: 1 bracket.

Description: Steel pivot bracket for bi-folding door top track; adjustable; fits on *Kennafame Door Systems*.

You may wish to stock these related parts: **N-6802, N-6799, N-6800.**

N-6798





N-6844

N-6844

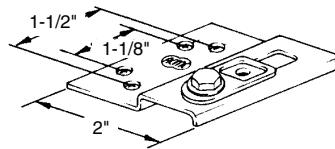
Pivot Bracket

Contents: 1 bracket.

Description: Stamped steel bracket installs into top track; accepts top pivot pin; for wood folding panel doors; used on *Johnson Hardware series "1800" and "1825"* door systems.

You may wish to stock these related parts: **N-6701, N-6707, N-6837.**

N-6542



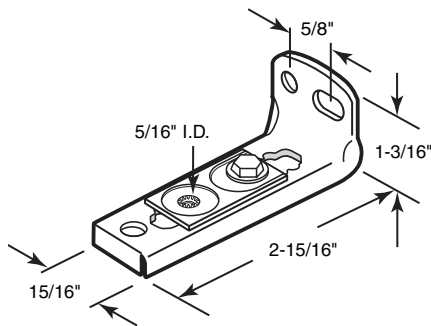
N-6542

Pivot Bracket

Contents: 1 bracket; (4) no. 8 x 3/4" Phillips pan head sheet metal screws.

Description: Adjustable, stamped steel floor mount bracket; self lubricating nylon bushing; for 1" to 1-3/8" thick folding doors up to 50 lbs. each; fits on *Acme*.

You may wish to stock these related parts: **N-6539, N-6540, N-6545, N-6546.**



N-6543

N-6543

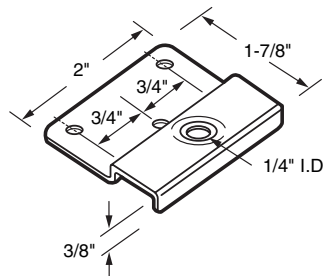
Pivot Bracket

Contents: 1 bracket; (2) no. 8 x 3/4" Phillips flat head sheet metal screws; (1) no. 8 x 1-1/4" Phillips flat head sheet metal screw.

Description: Adjustable, stamped steel bracket; floor/jamb mounting; self lubricating nylon bushing; for 1" to 1-3/8" thick folding doors up to 50 lbs. each; fits on *Acme*.

You may wish to stock these related parts: **N-6539, N-6540, N-6545, N-6546.**

N-6586



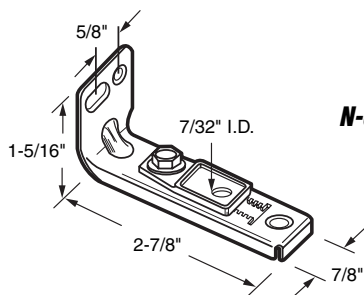
N-6586

Pivot Bracket

Contents: 1 bracket; (3) no. 8 x 3/4" Phillips pan head sheet metal screws.

Description: Floor mounting bracket; stamped steel; for 1" to 1-3/8" thick bi-folding door up to 50 lbs. each.

You may wish to stock these related parts: **N-6582, N-6583, N-6584, N-6585.**



N-6587

N-6587

Pivot Bracket

Contents: 1 bracket; (4) no. 8 x 3/4" Phillips flat head sheet metal screws.

Description: Adjustable stamped steel bracket; floor/jamb mounting with nylon bushing; adjusts door horizontally; for 1" to 1-3/8" thick folding doors up to 50 lbs. each; fits on *Cox*.

You may wish to stock these related parts: **N-6580 thru N-6585.**

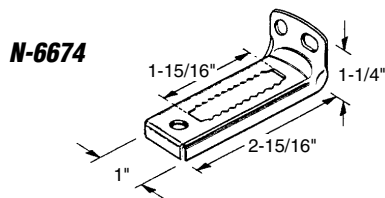
N-6674

Pivot Bracket

Contents: 1 bracket; (3) no. 8 x 3/4" Phillips flat head sheet metal screws.

Description: Adjustable floor/jamb mounting bracket, stamped steel; designed for lightweight (up to 30 lbs) hollow core and louver type door panels.

You may wish to stock these related parts: **N-6673, N-6823, N-6696**



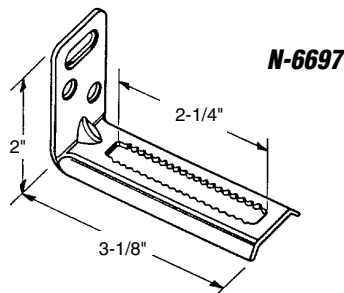
N-6697

Pivot Bracket

Contents: 1 bracket; (3) no. 8 x 3/4" Phillips flat head sheet metal screws.

Description: Adjustable; floor/jamb mounting bracket; stamped steel; extra heavy duty design for optional mounting on jamb above floor; used by many wardrobe door manufacturers.

You may wish to stock these related parts: **N-6673, N-6696**.



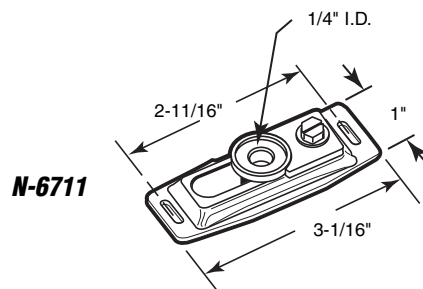
N-6711

Pivot Bracket

Contents: 1 bracket; (2) no. 8 x 1-1/4" Phillips pan head sheet metal screws.

Description: Floor mounted steel bracket with nylon bushing insert accepts a 1/4" diameter pivot pin; fits on *Johnson Hardware*.

You may wish to stock these related parts: **N-6701, N-6707, N-6710, N-6836, N-6837**.



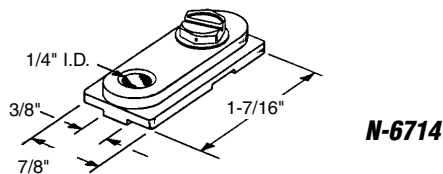
N-6714

Top Pivot Bracket

Contents: 2 inserts.

Description: Nylon insert installs onto floor bracket of bi-folding door; allows for horizontal adjustment; fits on *Alliance duo-fold series "500"*.

You may wish to stock these related parts: **N-6700, N-6705, N-6706, N-6712**.



N-6802

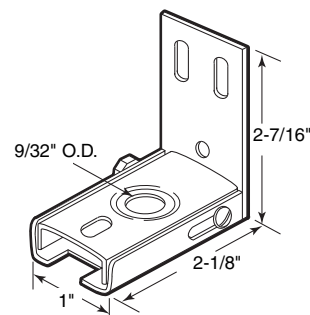
Pivot Bracket

Contents: 1 bracket; installation screws.

Description: Stamped steel, adjustable, floor/jamb mounting bracket; fits on *Kennaframe Door Systems*.

You may wish to stock these related parts: **N-6700, N-6703, N-6706, N-6798**.

N-6802



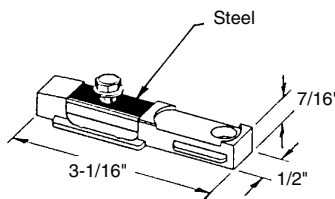
N-6814

Pivot Bracket

Contents: 1 bracket.

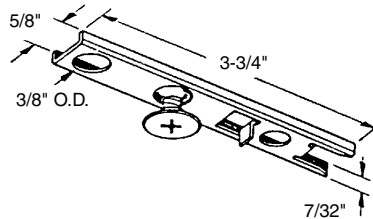
Description: Nylon body with steel retainer plate and screw for bi-folding door top track; fits on *Acme*.

You may wish to stock these related parts: **N-6815, N-6816**.



N-6814

N-6823



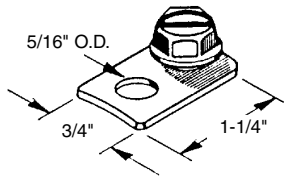
N-6823

Pivot Bracket

Contents: 1 bracket with screw.

Description: Steel bracket for bi-folding door top track; fits 5/8" wide track; fits on *Acme*.

You may wish to stock these related parts: **N-6672, N-6673, N-6674.**



N-6828

N-6828

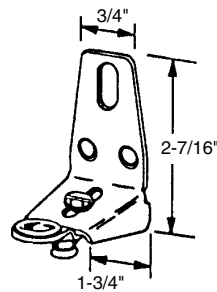
Pivot Bracket

Contents: 1 pivot bracket with screw.

Description: Steel pivot bracket for bi-folding door top track; fits on *Monarch Door*.

You may wish to stock these related parts: **N-6660, N-6788, N-6804, N-6805.**

N-6836



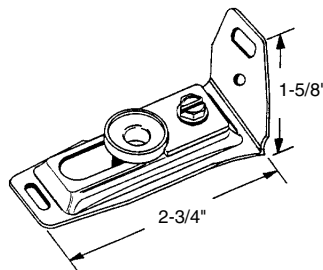
N-6836

Heavy Duty Pivot Bracket

Contents: 1 pivot bracket; 3 installation screws.

Description: Heavy duty steel bracket; jamb mounted; 4-way adjustable pivot point, (in and out), (left and right); accepts a 9/32" diameter pivot; fits on *Johnson Hardware*.

You may wish to stock these related parts: **N-6710, N-6831, N-6833, N-6834.**



N-6837

N-6837

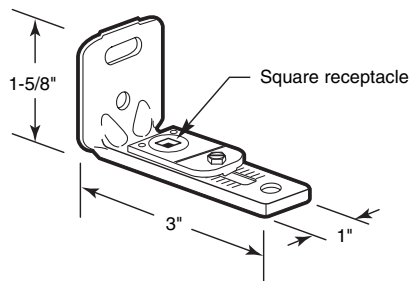
Pivot Bracket

Contents: 1 bracket; 3 installation screws.

Description: Adjustable floor/jamb mount bracket with nylon bushing; used on *Johnson Hardware series 1800*.

You may wish to stock these related parts: **N-6701, N-6707, N-6844.**

N-6932



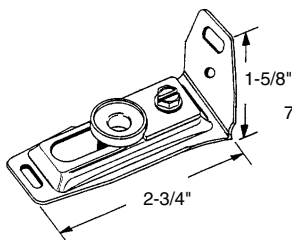
N-6932

Pivot Bracket

Contents: 1 bracket; 3 installation screws; 1 wrench (N-6824).

Description: Adjustable floor/jamb mount steel bracket with nylon bushing.

You may wish to stock these related parts: **N-6931.**



N-6962

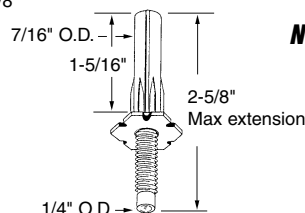
N-6962

Pivot Bracket & Pin Kit

Contents: 1 bracket; 1 pin; 3 installation screws.

Description: Stamped steel, floor/jamb mount bracket with nylon bushing; bottom pivot with steel pin; nylon base; fits on *Johnson Hardware*.

You may wish to stock these related parts: **N-6701, N-6844.**

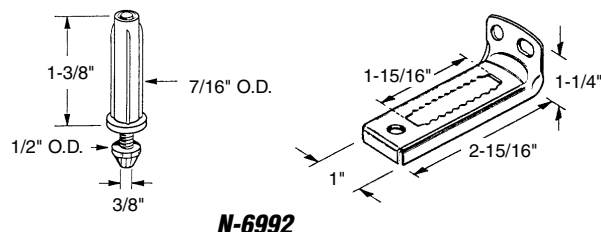


N-6992

Pivot Bracket & Pin Kit

Contents: 1 bracket; 1 pin; 3 installation screws.

Description: Stamped steel, floor/jamb mount bracket; bottom pivot with steel pin; nylon base; used by many manufacturers.



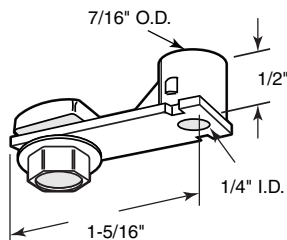
N-6992

N-6947

Pivot Bracket

Contents: 1 bracket; 5/16"-18 x 1/2" hex washer head machine screw with nut.

Description: Nylon base; bi-fold door pivot bracket; nylon body; fits on *Peachtree Door Company*.



N-6947

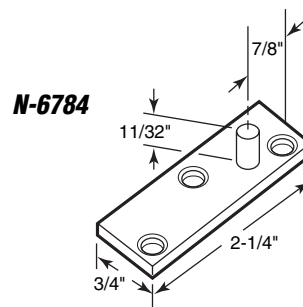
N-6784

Top Pivot

Contents: 1 pivot with installation screws.

Description: Cadmium plated steel top pivot; 11/32" high x 1/4" diameter pivot rod, off-center by 1/16"; used by many wardrobe manufacturers.

You may wish to stock these related parts: **N-6785, N-6786.**



N-6784

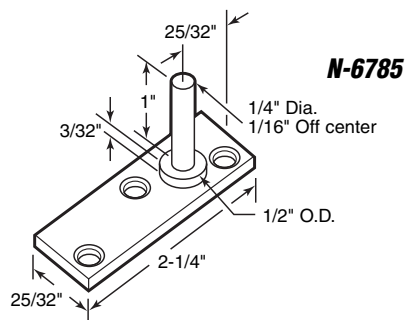
N-6785

Top Pivot

Contents: 1 pivot with installation screws.

Description: Cadmium plated steel top pivot; 1" high x 1/4" diameter pivot rod, off-center by 1/16"; used by many wardrobe manufacturers.

You may wish to stock these related parts: **N-6784, N-6786, N-6792.**



N-6785

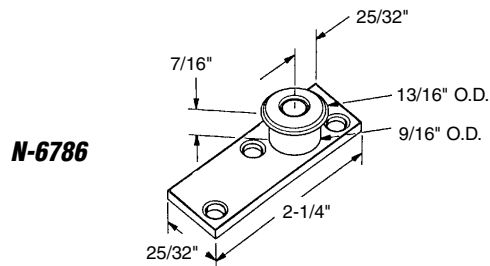
N-6786

Top Roller Guide

Contents: 1 pivot with installation screws.

Description: Cadmium plated steel base; nylon roller is 7/16" high x 13/16" diameter, and is off-center by 1/16"; used by many wardrobe manufacturers.

You may wish to stock these related parts: **N-6784, N-6785.**



N-6786

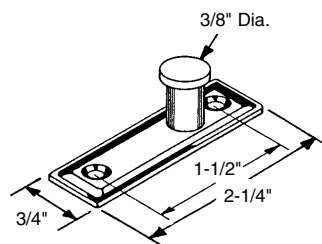
N-6831

Top Pivot

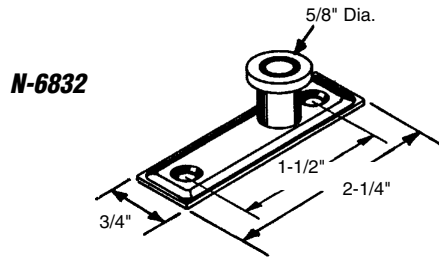
Contents: 1 pivot with installation screws.

Description: Steel pivot and bracket; fits on *Johnson Hardware*.

You may wish to stock these related parts: **N-6833, N-6834.**



N-6831



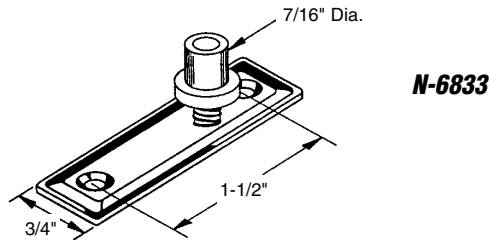
N-6832

Top Guide

Contents: 1 guide with installation screws.

Description: Steel bracket with spring loaded nylon guide; fits on *Johnson Hardware*; old style top guide used until approx. 1986; replaced by N-6833.

You may wish to stock these related parts: N-6710, N-6831.



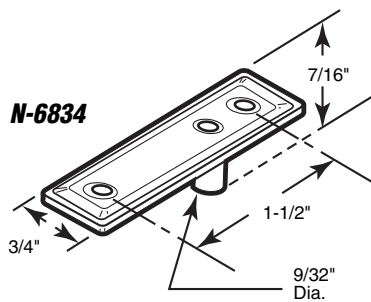
N-6833

Top Guide

Contents: 1 guide assembly with installation screws.

Description: Steel bracket; spring loaded nylon guide; fits on *Johnson Hardware*.

You may wish to stock these related parts: N-6710, N-6831, N-6834.



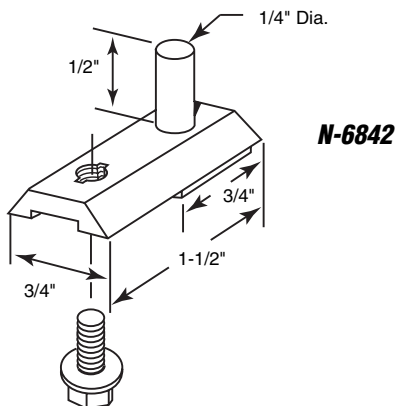
N-6834

Bottom Pivot

Contents: 1 pivot with installation screws.

Description: Steel bracket and pivot; fits on *Johnson Hardware*.

You may wish to stock these related parts: N-6831, N-6833, N-6836, N-6848.



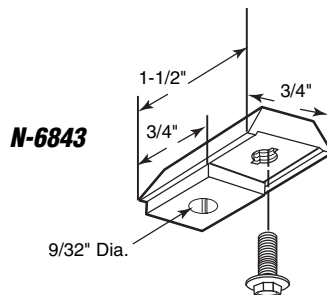
N-6842

Bottom Pivot Bracket

Contents: 1 pivot with machine screw and washer.

Description: Nylon pivot; fits on *National Bi-Fold*.

You may wish to stock these related parts: N-6783, N-6812.



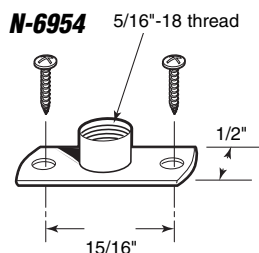
N-6843

Top Pivot Bracket

Contents: 1 bracket with machine screw and washer.

Description: Bi-fold door pivot bracket; nylon body; fits on *National Bi-Fold*.

You may wish to stock these related parts: N-6783, N-6812.

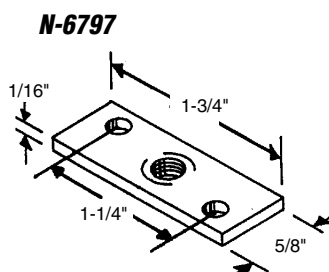


N-6797 (4 plates per card)
N-6954 (2 plates per card)

Pivot Pin Mounting Plate

Contents: Plates with screws.

Description: Stamped steel, threaded reinforcement plate for bi-fold pins; universal design.



N-6540

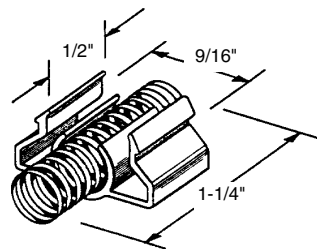
Two-Door Snugger

Contents: 2 snuggers.

Description: Steel spring with nylon retainer sleeve; top mounting; self-adjusting; for holding doors in closed position; fits *Acme series "2400" and "2900"*.

You may wish to stock these related parts: **N-6543, N-6544, N-6545, N-6546.**

N-6540



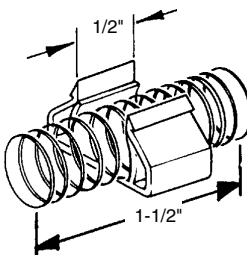
N-6580

Two-Door Snugger

Contents: 2 snuggers.

Description: Steel spring with nylon retainer sleeve; top mounting; self-adjusting; for holding doors in closed position; fits *Cox series 23*.

You may wish to stock these related parts: **N-6582, N-6583 thru N-6587.**



N-6580

N-6799

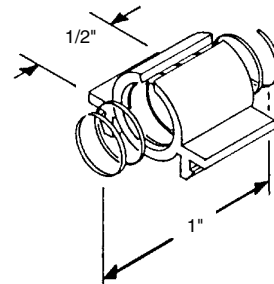
Two-Door Snugger

Contents: 2 snuggers.

Description: Steel spring with nylon retainer sleeve; top mounting; self-adjusting; for holding doors in closed position; fits *Kennaframe door systems*.

You may wish to stock these related parts: **N-6700, N-6703, N-6706.**

N-6799

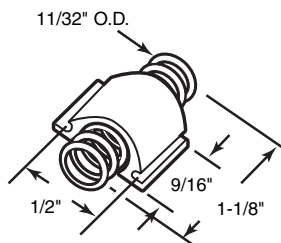


N-6825

Two-Door Snugger

Contents: 2 snuggers.

Description: Steel spring with nylon retainer sleeve; top mounting; self-adjusting; for holding doors in closed position; fits *Acme series "2800" door systems*.



N-6825

N-6983

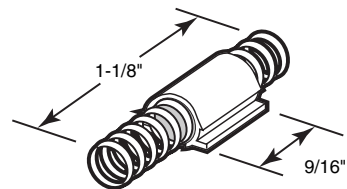
Two-Door Snugger

Contents: 2 snuggers.

Description: Steel spring with nylon retainer sleeve; top mounting; self-adjusting; for holding doors in closed position; fits *Alliance door systems*.

You may wish to stock these related parts: **N-6700, N-6706, N-6712**

N-6983



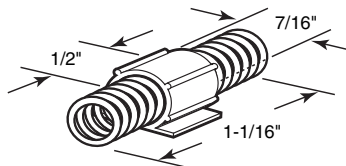
N-6985

Two-Door Snugger

Contents: 2 snuggers.

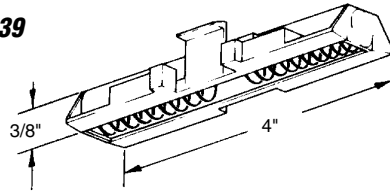
Description: Steel spring with nylon retainer sleeve; top mounting; self-adjusting; for holding doors in closed position; fits *Acme series "2800" door systems*.

You may wish to stock these related parts: **N-6672, N-6673, N-6674, N-6823.**



N-6985

N-6539



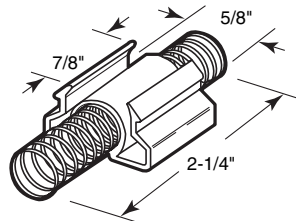
N-6539

Slide Guide

Contents: 2 guide assemblies.

Description: Top mount; two-way spring snuggler; **steel** springs with **nylon** retainer; fits 1" to 1-3/8" thick bi-fold doors when opening or closing; fits on **Acme**.

You may wish to stock these related parts: **N-6543, N-6545, N-6546.**



N-6541

N-6541

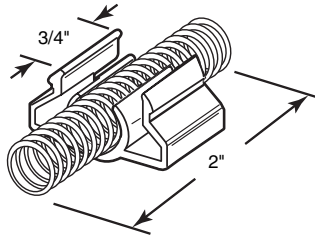
Four-Door Snuggler

Contents: 2 snuggers.

Description: **Steel** spring with **nylon** retainer sleeve; top mounting; self-adjusting; for holding doors in closed position; fits "**Acme**" series 2400 and 2900, 1" bi-fold track.

You may wish to stock these related parts: **N-6539, N-6540, N-6545, N-6546, N-6672, N-6673.**

N-6581



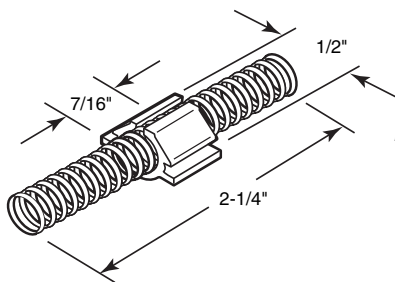
N-6581

Four Door Snuggler

Contents: 2 snuggers.

Description: **Steel** spring with **nylon** retainer sleeve; top mounting; self-adjusting; snap into top track between pairs of doors to hold them together in the closed position; fits **Cox series 23.**

You may wish to stock these related parts: **N-6582 thru N-6587.**



N-6762

N-6762

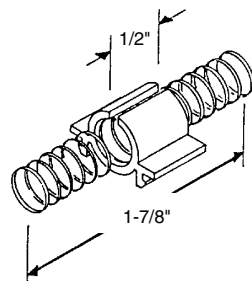
Four-Door Snuggler

Contents: 2 snuggers.

Description: **Steel** spring with **nylon** retainer sleeve; top mounting; fits 3/4" wide track; installs between pairs of doors for holding doors in the closed position.

You may wish to stock these related parts: **N-6656.**

N-6800



N-6800

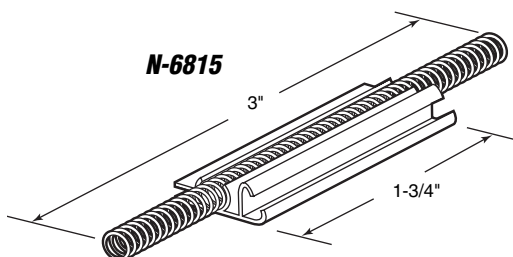
Four-Door Snuggler

Contents: 2 snuggers.

Description: **Steel** spring with **nylon** retainer sleeve; snap into top track of a four-door bi-fold for quiet cushioned closing; fits **Kennafame Door Systems.**

You may wish to stock these related parts: **N-6700, N-6798.**

N-6815



N-6815

Four-Door Snuggler

Contents: 2 snuggers.

Description: **Steel** spring with **nylon** retainer sleeve; snap in design; used on **Contractor series 4000** and **Acme Bi-Fold door systems.**

You may wish to stock these related parts: **N-6814, N-6816, N-6545, N-6546.**

Call for
Availability

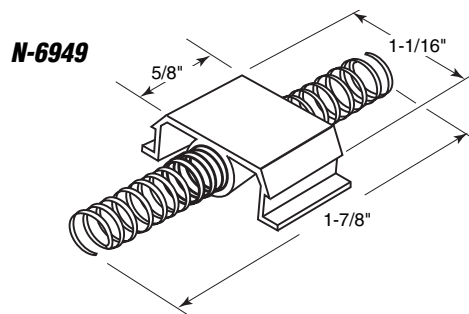
N-6949

Four-Door Snugger

Contents: 2 snuggers.

Description: Steel spring with nylon retainer sleeve; top mounting; self-adjusting; snaps into track between pairs of doors for holding doors in closed position; fits *Acme 2600 "fold aside" series*.

You may wish to stock these related parts: **N-6636, N-6534, N-6545, N-6546.**



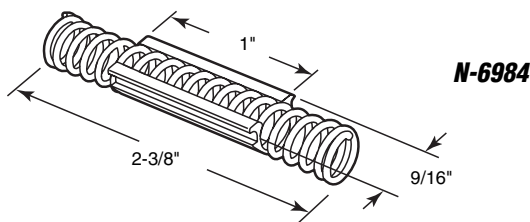
N-6984

Four-Door Snugger

Contents: 2 snuggers.

Description: Steel spring with nylon retainer sleeve; top mounting; self-adjusting; snaps into track between pairs of doors for holding doors in closed position; fits *Alliance* door systems.

You may wish to stock these related parts: **N-6700, N-6706, N-6712**



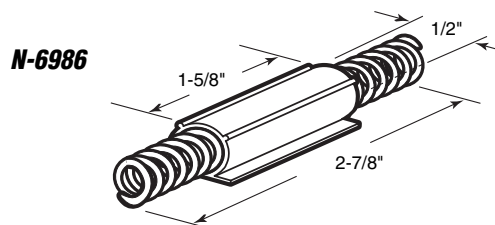
N-6986

Four-Door Snugger

Contents: 2 snuggers.

Description: Steel spring with nylon retainer sleeve; top mounting; self-adjusting; snaps into track between pairs of doors for holding doors in closed position; fits *Acme series 2800* door systems.

You may wish to stock these related parts: **N-6672, N-6673, N-6674, N-6823.**



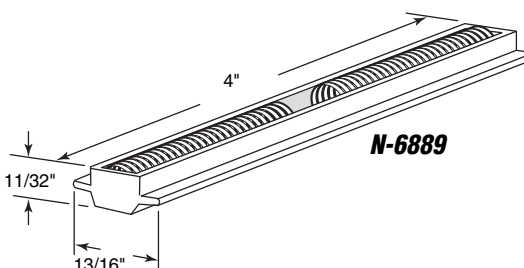
N-6889

Bottom Slide Guide

Contents: 2 guide assemblies.

Description: Two-way spring snugger; steel springs in nylon retainer; fits 1" to 1-3/8" thick bi-fold doors when opening or closing; fits on *Stanley*.

You may wish to stock these related parts: **N-6539.**



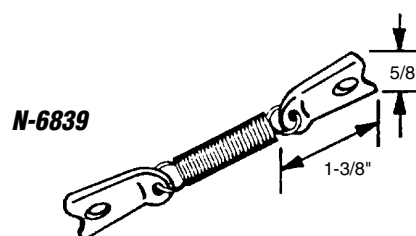
N-6839

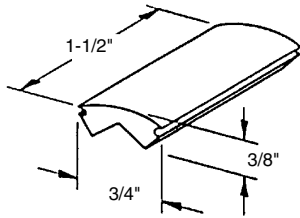
Bi-fold Door Spring

Contents: 1 door spring assembly; 1 set installation screws.

Description: Plated steel brackets and spring; holds bi-folding doors securely closed; fits on *Johnson Hardware*.

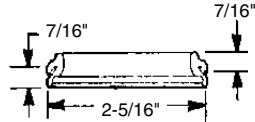
You may wish to stock these related parts: **N-6836, N-6838.**





N-6819

N-6641



N-6819

Bi-fold Door Snagger

Contents: 2 snaggers.

Description: Rubber bumpers used on the top and bottom tracks; snap-in design; used to hold doors securely closed; manufactured by *Monarch Doors*.

You may wish to stock these related parts: **N-6733, N-6741, N-6742, N-6804, N-6805.**

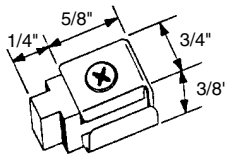
N-6641

Top Track Bumper

Contents: 1 bumper.

Description: Rubber bumper fits onto top track of bi-folding doors; fits on *Slimfold* and others.

You may wish to stock these related parts: **N-6637, N-6638, N-6639, N-6640.**



N-6838

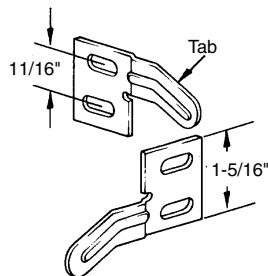
N-6838

Bumper

Contents: 1 stop.

Description: Rubber stop in a steel retainer; mounts into track channel; prevents over travel of doors; fits a 5/8" track; fits on *Johnson Hardware series 1700*.

You may wish to stock these related parts: **N-6831 thru N-6834, N-6836.**



N-6538

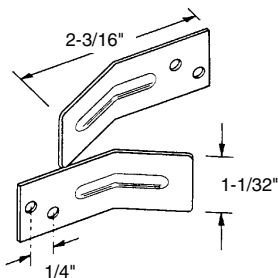
N-6538

Surface Aligner

Contents: 1 set of aligners; 4 no. 8 x 3/4" Phillips pan head sheet metal screws.

Description: Zinc plated steel aligner; mounts to back of lead doors to keep them tightly closed; universal, for 4 door systems.

You may wish to stock these related parts: **N-6544 thru N-6547.**



N-6585

N-6585

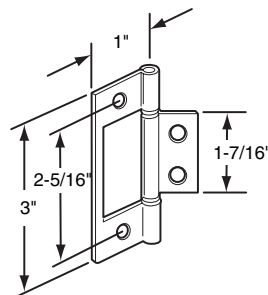
Surface Aligner

Contents: 1 set of aligners; 4 no. 8 x 3/4" Phillips pan head sheet metal screws.

Description: Zinc plated steel aligner; mounts to back of lead doors to keep them tightly closed; universal, for 4 door systems.

You may wish to stock these related parts: **N-6581 thru N-6583.**

N-6656



N-6656

Non-Mortise Hinge

Contents: 2 hinges; 8 flat head sheet metal screws.

Description: Brass plated steel hinge has cut out to allow for non-mortise installation; used by many wardrobe door manufacturers.

You may wish to stock these related parts: **N-6544, N-6546, N-6672, N-6673, N-6700, N-6706.**

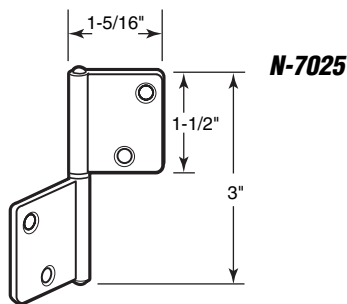
N-7025

Hinge

Contents: 2 hinges; 8 flat head sheet metal screws.

Description: Brass plated steel hinge; non-mortise installation; used by many wardrobe door manufacturers.

You may wish to stock these related parts: **N-6656, N-6754, N-6755, N-6756.**



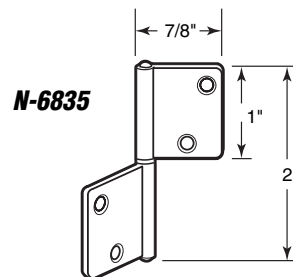
N-6835

Shutter Hinge

Contents: 2 hinges; 8 flat head sheet metal screws.

Description: Brass plated steel hinge; used on bi-folding shutter doors; non-mortise installation.

You may wish to stock these related parts: **N-6656; N-6658.**



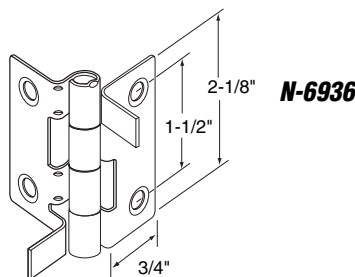
N-6936

Non-Mortise Hinge

Contents: 2 hinges; 8 flat head sheet metal screws.

Description: Brass plated steel hinge; used on bi-folding doors; designed by *Johnson Hardware*.

You may wish to stock these related parts: **N-6701, N-6707, N-6837, N-6844.**



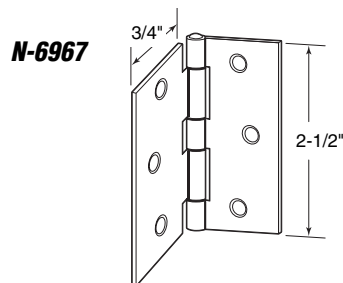
N-6967

Light Duty Hinge

Contents: 2 hinges; 12 flat head sheet metal screws.

Description: Zinc plated steel hinge; lightweight; narrow leaf, ideal for older wood bi-fold doors.

You may wish to stock these related parts: **N-6658, N-6754, N-6655.**



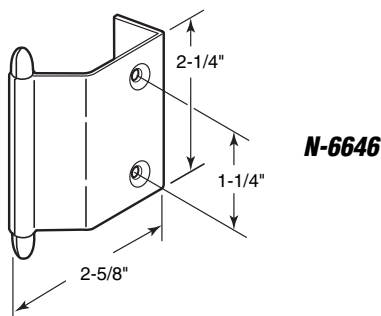
N-6646

Handle Assembly

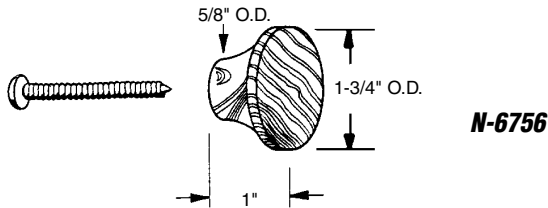
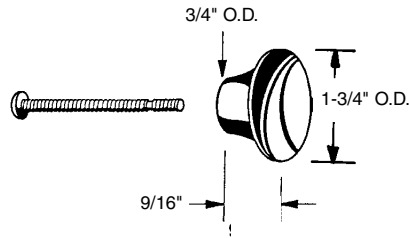
Contents: 1 handle assembly; installation fasteners.

Description: Chrome plated steel handle used on *Slimfold* bi-folding mirror doors.

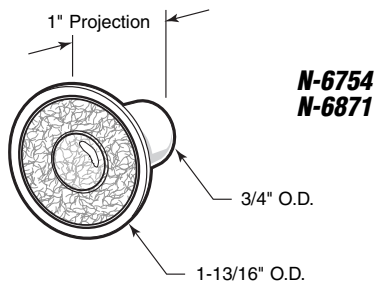
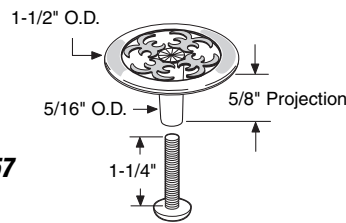
You may wish to stock these related parts: **N-6637 thru N-6642.**



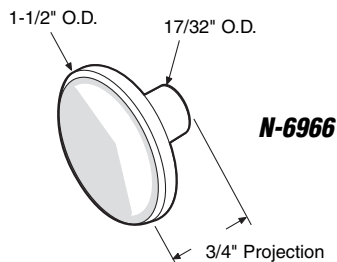
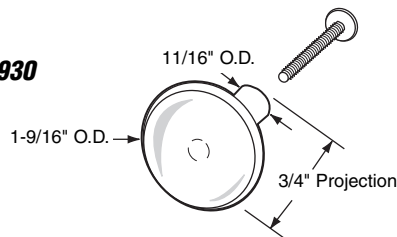
N-6755



N-6757



N-6930



N-6755

Knob

Contents: 2 knobs; 2 installation screws.

Description: Brass plated stamped steel knob used on wood bi-fold door panels.

You may wish to stock these related parts: **N-6656, N-6658.**

N-6756

Knob

Contents: 2 knobs; 2 installation screws.

Description: Hardwood knob used on wood bi-fold door panels.

You may wish to stock these related parts: **N-6656, N-6658.**

N-6757

Knob

Contents: 2 knobs; 2 installation screws.

Description: Antique brass plated diecast decorative knob for wood bi-fold door panels.

You may wish to stock these related parts: **N-6656, N-6658.**

N-6754 (Ivory)

N-6871 (Brown)

Knob

Contents: 2 knobs; 2 installation screws.

Description: Plastic knob used on hollow core or solid wood bi-fold door panels.

You may wish to stock these related parts: **N-6656, N-6658.**

N-6930

Knob

Contents: 2 knobs; 2 installation screws.

Description: Brass plated diecast knob used on hollow core or solid wood bi-fold door panels.

You may wish to stock these related parts: **N-6656, N-6658.**

N-6966

Knob

Contents: 2 knobs; 2 installation screws

Description: White painted diecast knob used on hollow core or solid wood bi-fold door panels.

You may wish to stock these related parts: **N-6656, N-6658.**

Bi-fold Door Hardware

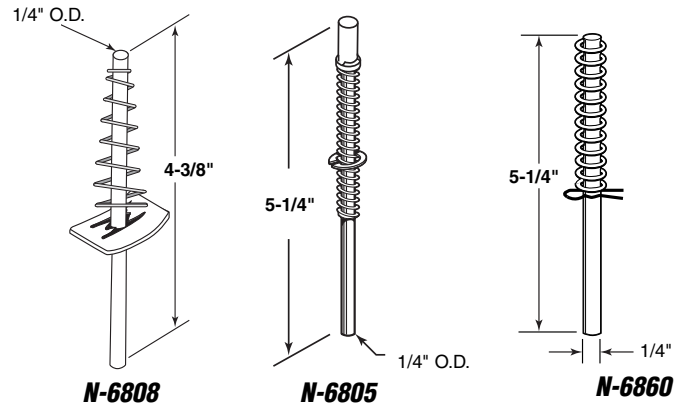
Pivot & Guide Pins

Contents: 1 pin assembly.

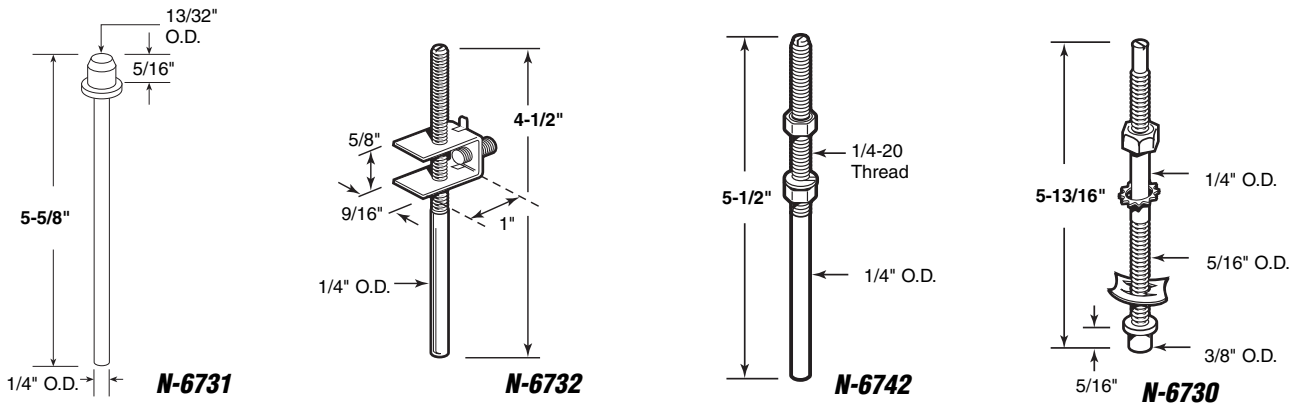
Description: Steel guide pins & top and bottom pivot pins; all caps shown are white nylon.

1/4" Diameter Pins

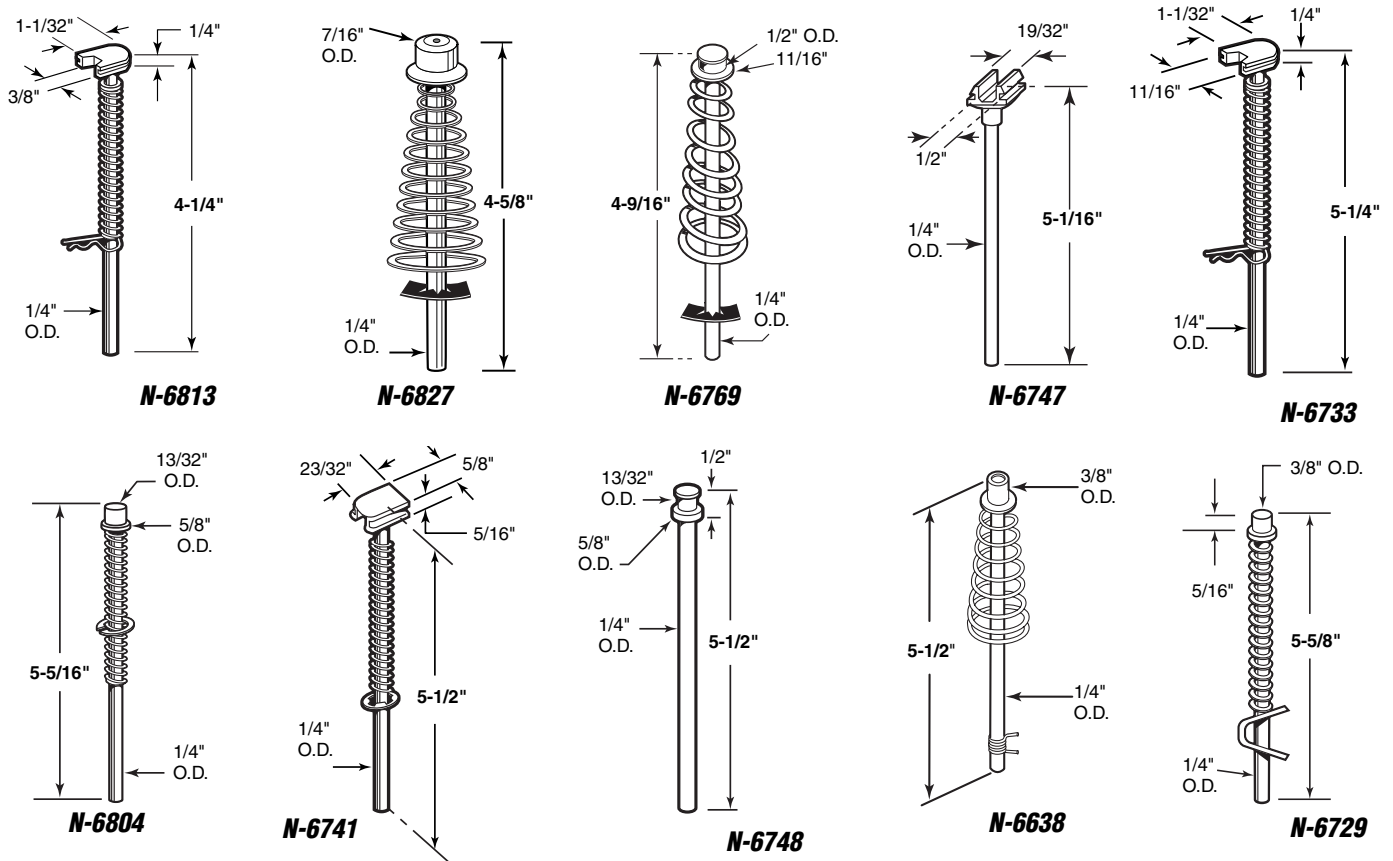
Top Pivots



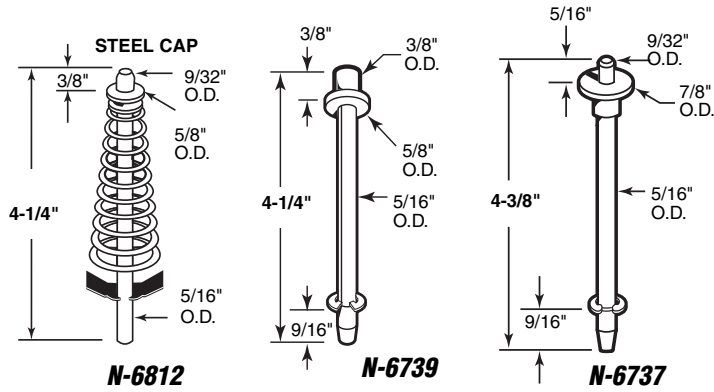
Bottom Pivots



Guide Pins



Top Pivots

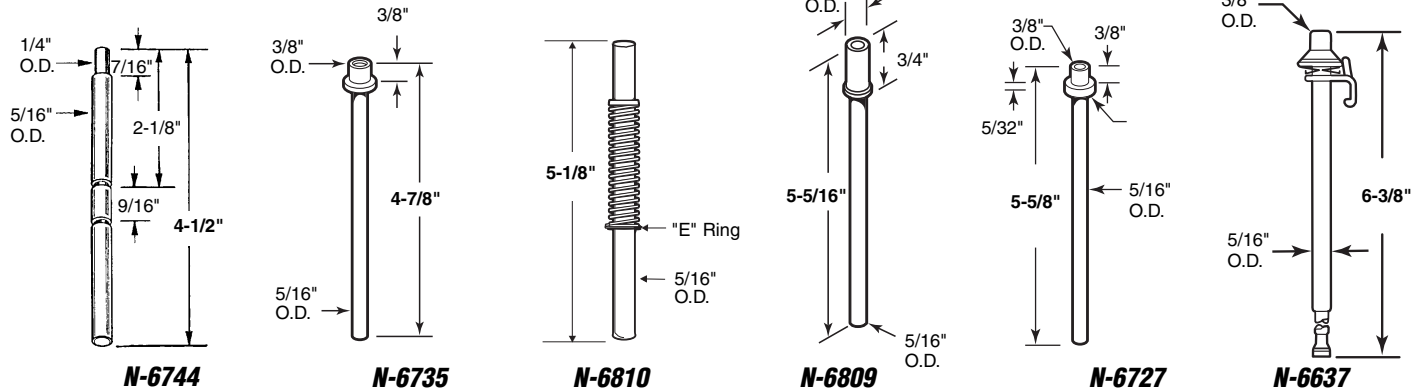


Pivot & Guide Pins

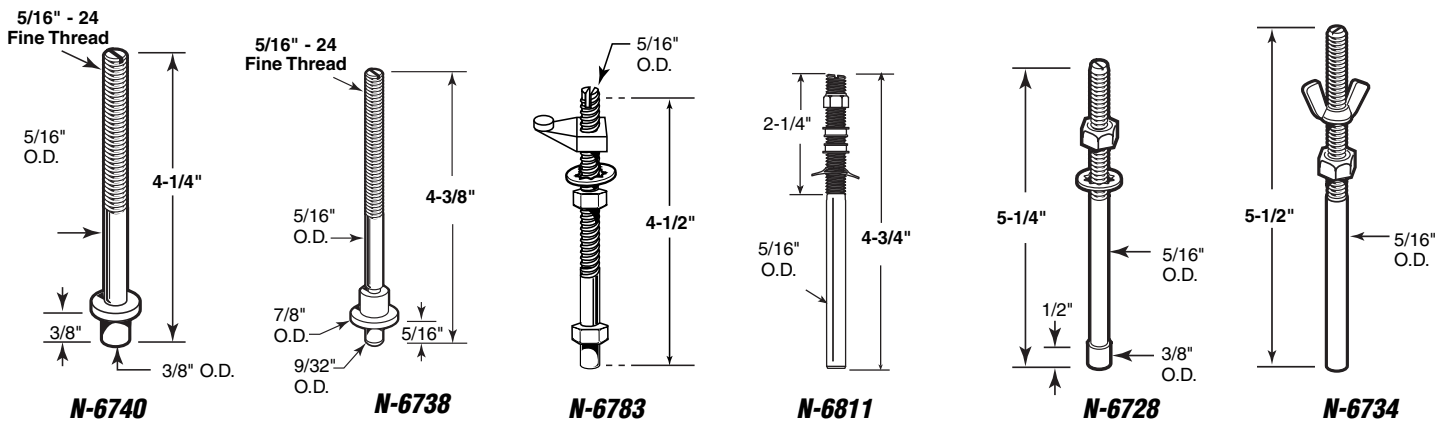
Contents: 1 pin assembly.

Description: Steel guide pins & top and bottom pivot pins; unless noted, most caps shown are nylon.

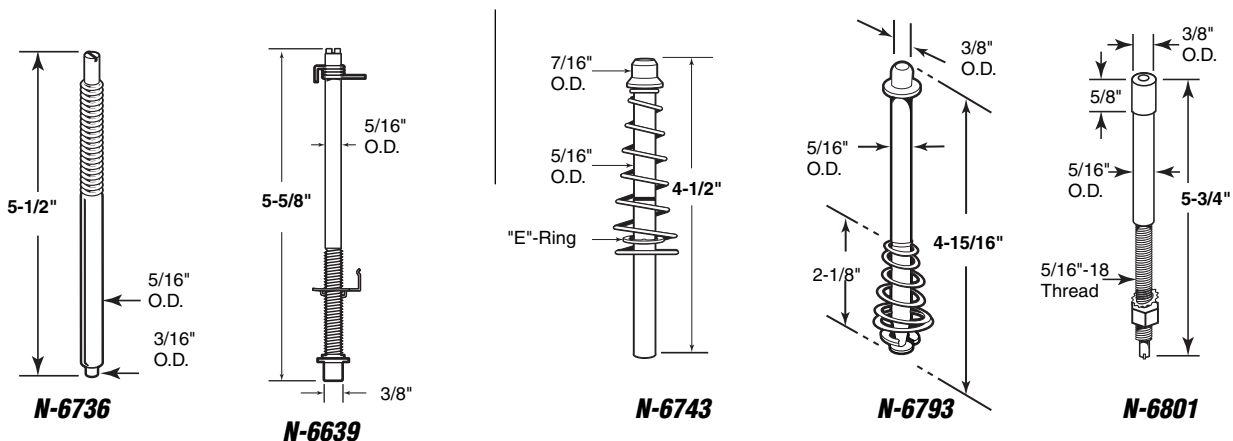
5/16" Diameter Pins



Bottom Pivots



Guide Pins



Bi-fold Door Hardware

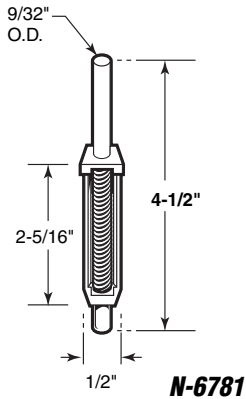
Pivot & Guide Pins

Contents: 1 pin assembly.

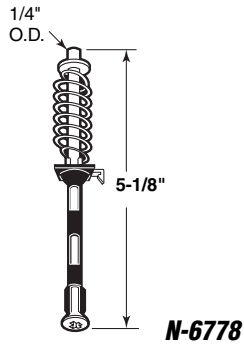
Description: Steel guide pins & top and bottom pivot pins; all caps shown are white nylon.

9/32" Diameter Pins

Top Pivots

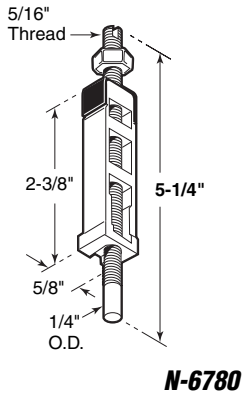


N-6781

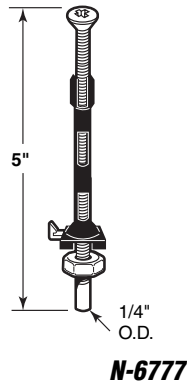


N-6778

Bottom Pivots

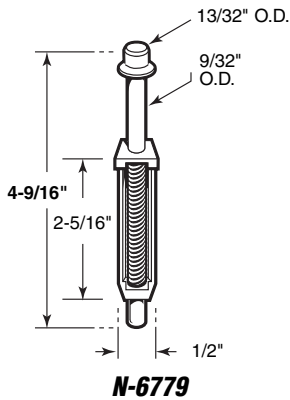


N-6780

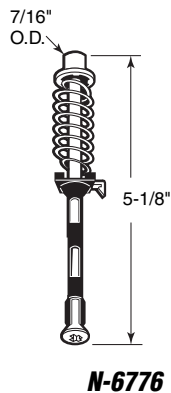


N-6777

Guide Pins



N-6779



N-6776

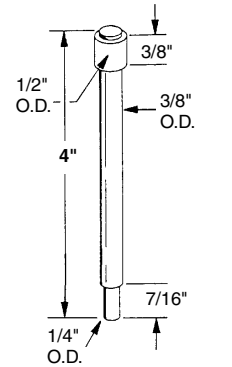
Pivot & Guide Pins

Contents: 1 pin assembly.

Description: Steel guide pins & top and bottom pivot pins; all caps shown are white nylon.

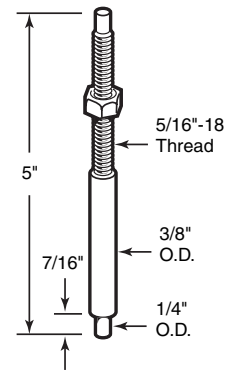
3/8" Diameter Pins

Top Pivots



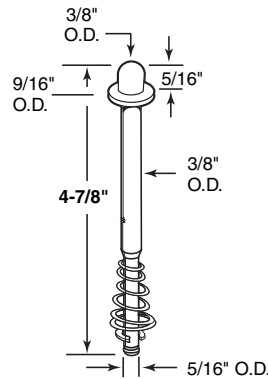
N-6745

Bottom Pivots

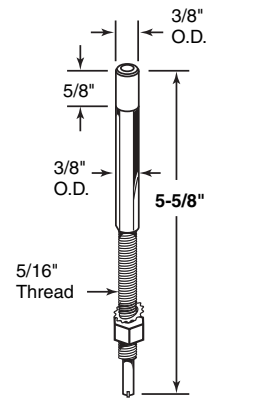


N-6746

Guide Pins



N-6807



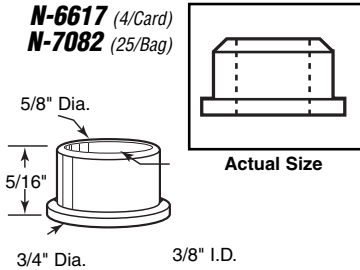
N-6806

Pivot & Guide Pin Caps

Contents: Pin caps.

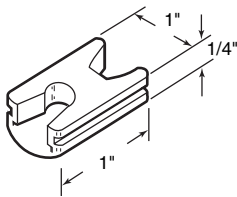
Description: Replacement nylon caps.

N-6617 (4/Card)
N-7082 (25/Bag)



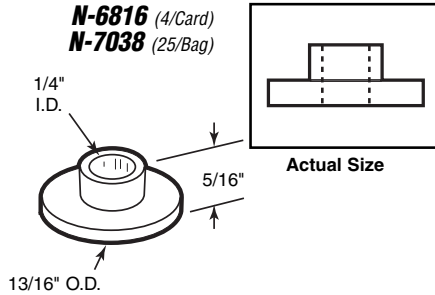
*Used on pins: N-6733, N-6813

N-6660 (2/Card)
N-6866 (25/Bag)



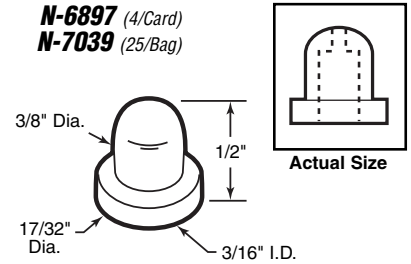
*Used on pins: N-6733, N-6813

N-6816 (4/Card)
N-7038 (25/Bag)



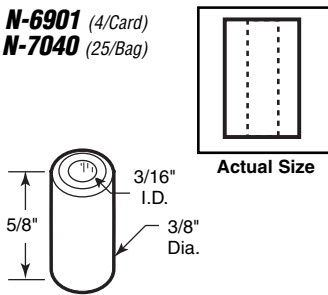
*Used on pins: N-6545

N-6897 (4/Card)
N-7039 (25/Bag)



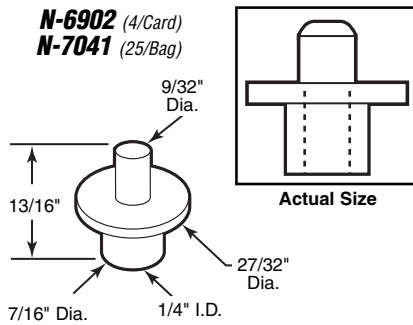
*Used on pins: N-6793

N-6901 (4/Card)
N-7040 (25/Bag)



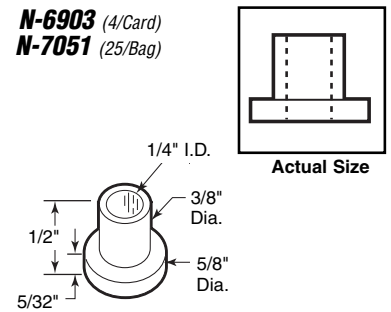
*Used on pins: N-6801

N-6902 (4/Card)
N-7041 (25/Bag)



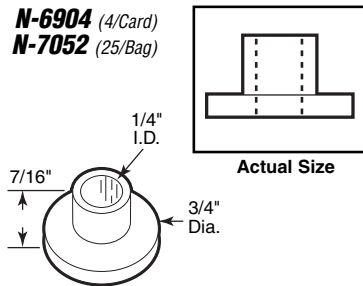
*Used on pins: N-6737, N-6738

N-6903 (4/Card)
N-7051 (25/Bag)



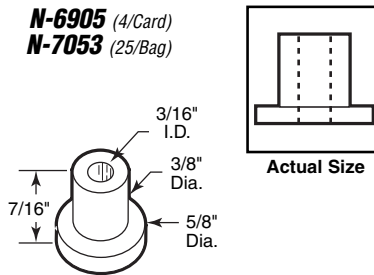
*Used on pins: N-6727

N-6904 (4/Card)
N-7052 (25/Bag)



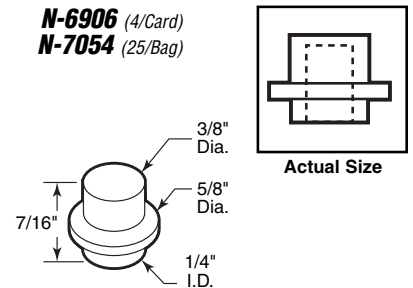
*Used on pins: N-6739, N-6740

N-6905 (4/Card)
N-7053 (25/Bag)



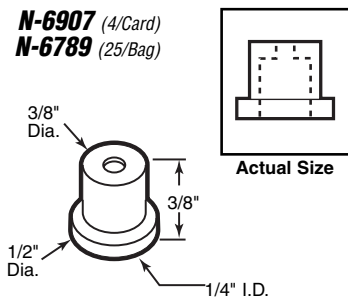
*Used on pins: N-6637

N-6906 (4/Card)
N-7054 (25/Bag)



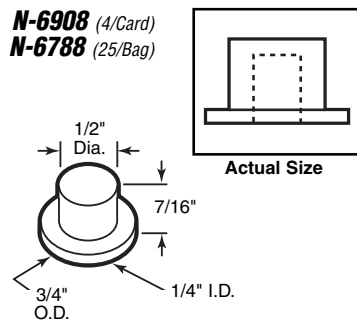
*Used on pins: N-6804

N-6907 (4/Card)
N-6789 (25/Bag)

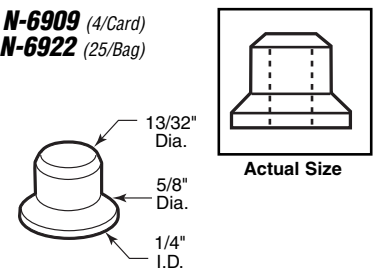


*Used on pins: N-6729, N-6730

N-6908 (4/Card)
N-6788 (25/Bag)



N-6909 (4/Card)
N-6922 (25/Bag)



*Used on pins: N-6731, N-6743, N-6827

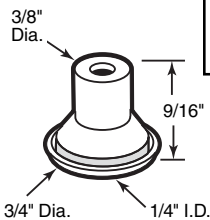
Bi-fold Door Hardware

Pivot & Guide Pin Caps

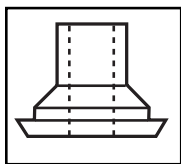
Contents: Pin caps.

Description: Replacement nylon caps.

N-6910 (4/Card)
N-6787 (25/Bag)

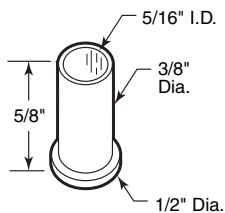


*Used on pins: N-6637

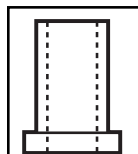


Actual Size

N-6911 (4/Card)
N-7055 (25/Bag)

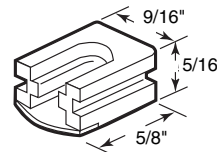


*Used on pins: N-6809



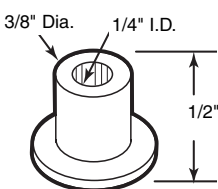
Actual Size

N-6912 (4/Card)
N-7056 (25/Bag)

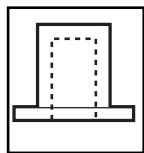


*Used on pins: N-6741

N-6917 (4/Card)
N-6916 (25/Bag)

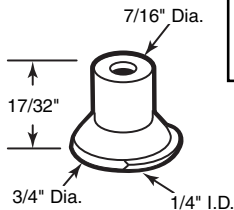


*Used on pins: N-6545, N-6638

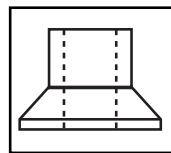


Actual Size

N-6919 (4/Card)
N-6918 (25/Bag)

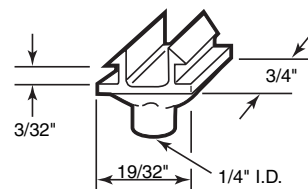


*Used on pins: N-6776



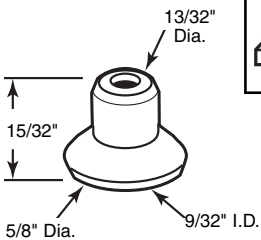
Actual Size

N-6923 (2/Card)
N-7057 (10/Bag)

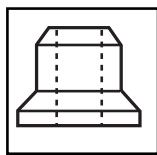


*Used on pins: N-6747

N-6927 (4/Card)
N-6928 (25/Bag)

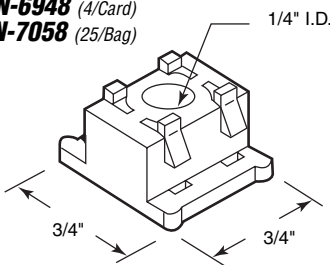


*Used on pins: N-6779



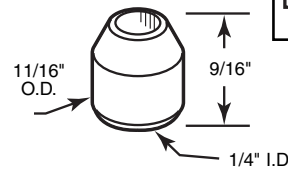
Actual Size

N-6948 (4/Card)
N-7058 (25/Bag)

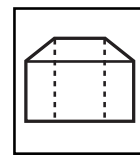


*New style replacement cap for pin: N-6705

N-7059 (4/Card)
N-6862 (25/Bag)

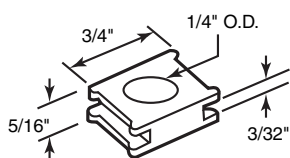


*Used on pins: N-6702



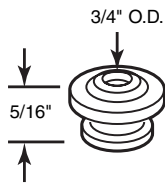
Actual Size

N-7060 (4/Card)
N-6864 (25/Bag)

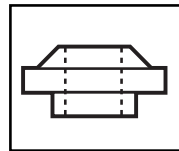


*Used on pins: N-6705

N-7061 (4/Card)
N-6863 (25/Bag)

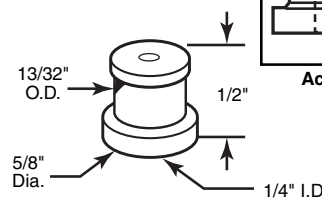


*Used on pins: N-6704

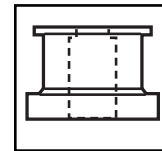


Actual Size

N-7062 (4/Card)
N-7063 (25/Bag)

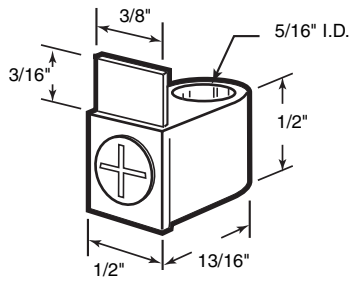


*Used on pins: N-6769

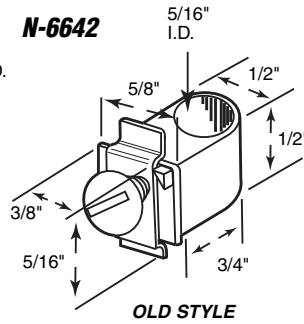


Actual Size

N-6865 NEW STYLE



N-6642



N-6642 (Old style)
N-6865 (New style)

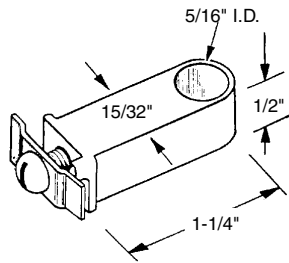
Pivot Rod Clamp

Contents: 1 clamp.

Description: Pivot rod clamp used to adjust height; nylon housing; fits on *Slimfold* and others.

You may wish to stock these related parts: **N-6637**, **N-6638**, **N-6640**.

N-6749



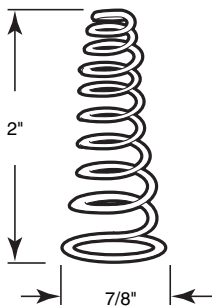
N-6749

Pivot Rod Clamp

Contents: 1 clamp.

Description: Nylon housing; rod clamp used to adjust height; 1-1/4" long housing.

You may wish to stock these related parts: **N-6642**.



N-6753

N-6753

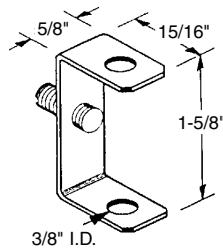
Pivot Rod Tension Springs

Contents: 2 springs.

Description: High tension; heat treated steel spring used to supply tension on top pivot guide rods and bottom guide rods; fits 3/8" rod.

You may wish to stock these related parts: **N-6656**.

N-6751



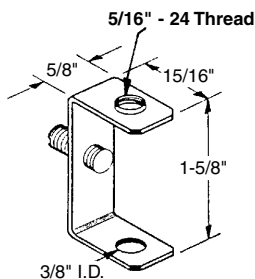
N-6751

Pivot Rod Adjustment Bracket

Contents: 1 bracket.

Description: Stamped steel bracket; has set screw in center; used to adjust height of pivot rod; used with pivot rod numbers **N-6739** or **N-6737**.

You may wish to stock these related parts: **N-6752**.



N-6752

N-6752

Pivot Rod Adjustment Bracket

Contents: 1 bracket.

Description: Stamped steel bracket; has 5/16"-24 threads on one end; set screw in center; used to adjust height of pivot rod; used with pivot rod number **N-6740**.

You may wish to stock these related parts: **N-6751**.

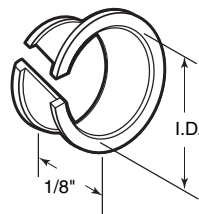
Bi-fold & Pocket Door Hardware

N-6991 (1/4" inside diameter)
N-7067 (5/16" inside diameter)

Nyliner

Contents: 50 nyliners per bag.

Description: Nylon bushing for Bi-Fold Guide and Pivot Pins; Snaps into steel door frame; prevents pin from direct contact with sharp punched hole in door.



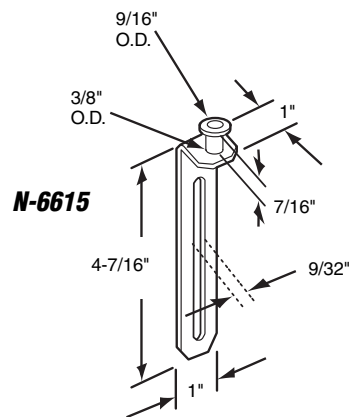
N-6991
N-7067

N-6615 Top Guide

Contents: 1 guide; (2) 1/4"-20 x 1/2" round head slotted machine screws.

Description: Top guide for bi-fold doors; stamped steel with nylon cap; fits on *Roberts*.

You may wish to stock these related parts: **N-6609, N-6616.**

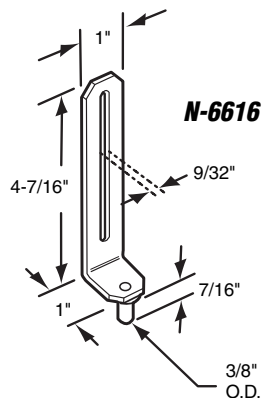


N-6616 Bottom Guide

Contents: 1 guide; (2) 1/4"-20 x 1/2" round head slotted machine screws.

Description: Bottom guide for bi-fold doors; stamped steel with nylon cap; fits on *Roberts*.

You may wish to stock these related parts: **N-6609, N-6615.**

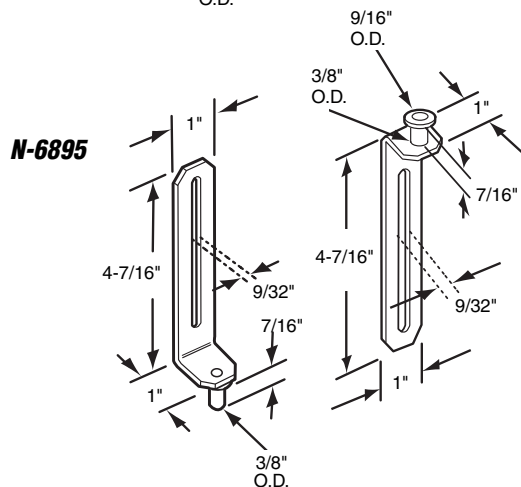


N-6895 Top & Bottom Guide Set (N-6615 & N-6616)

Contents: 1 top guide; 1 bottom guide; installation fasteners.

Description: Top and bottom guides for bi-fold doors; stamped steel with nylon cap; fits on *Roberts*.

You may wish to stock these related parts: **N-6609.**



N-6530 Roller

Contents: 2 roller assemblies; 4 no. 8 x 1-1/4" Phillips pan head sheet metal screws.

Description: Tandem wheels; top mount steel hanger for pocket doors; 7/8" round edge nylon wheel; for 1-3/8" thick doors up to 75 lbs. each; fits on *Cox*.

You may wish to stock these related parts: **N-6565, N-6566, N-6567.**

