

Section 7 OUT-SWING DOOR THRESHOLDS

Standard Sizes (Product is cut oversize to allow "cutting in"): 30", 32", 36", 42", 48" (**cut 3/8" over**); 60", 64", 72" (**cut 1" over**).
Other lengths are available.
 (Extra cost over 73")
Routed thresholds (page 14)

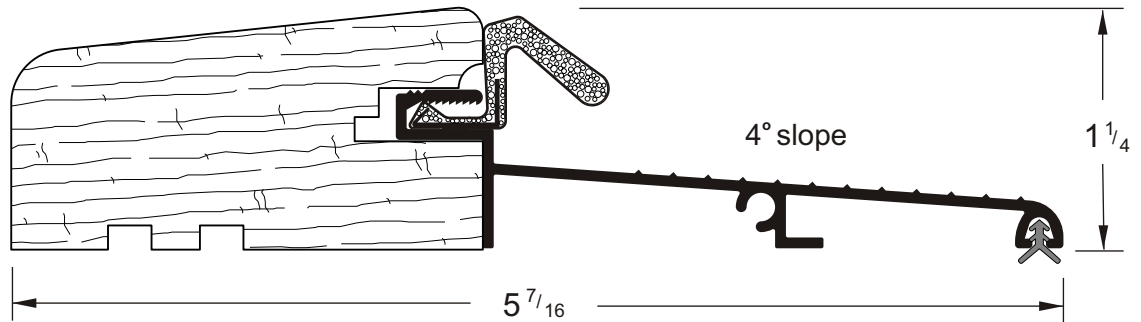
and specified lengths are cut exact.
Center holes are counter-sunk.
#10 phillips flathead screws of appropriate length are included.
 ▽ Indicates location of standard fastener hole.

Special anchors may be required on concrete slab construction and are available at extra cost, (see page 34).
Standard bumper seal is Santoprene® (#9032T).
Optional seals (see page 44).

HARDWOOD & ALUMINUM OUTSWING

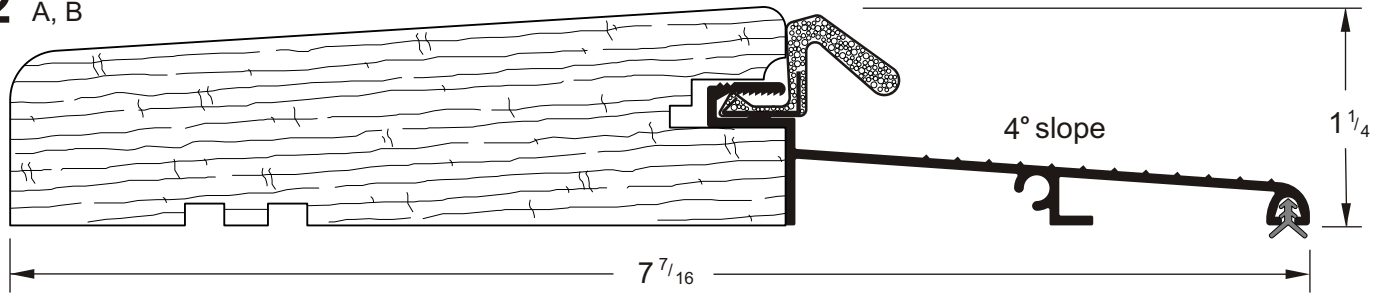
PLEASE NOTE:
 "Outswing" Astra-Bolt on page 42

410 A, B



For glue-down or nail-on applications.

412 A, B



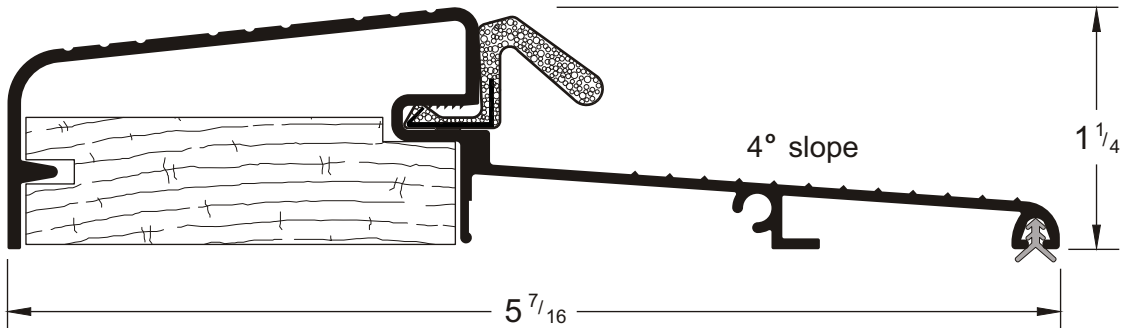
For glue-down or nail-on applications.

THIS DRAWING NOT TO SCALE

ALL ALUMINUM OUTSWING

415 A, B

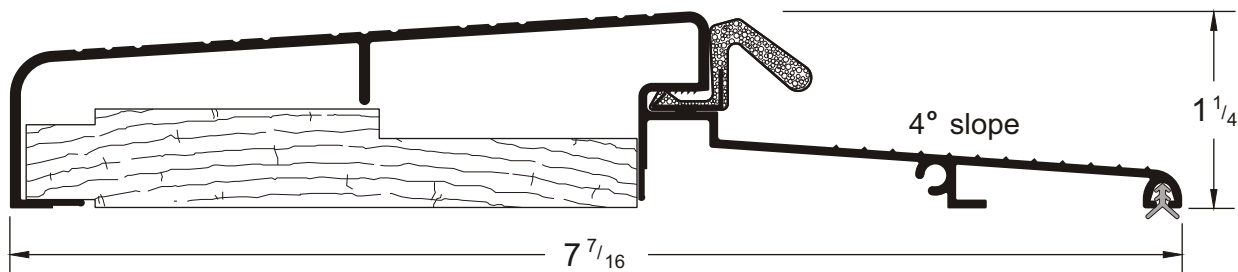
Wood substrate only.



Full length insert for glue-down or nail-on applications.

417 A, B

Wood or Composite substrate.



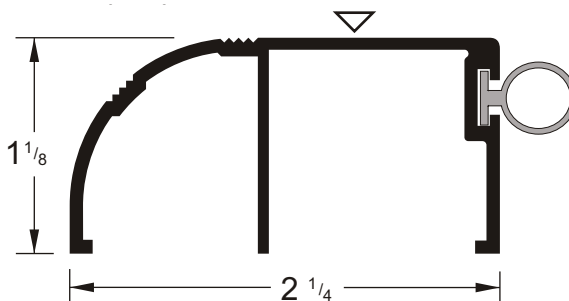
Full length insert for glue-down or nail-on applications.

THIS DRAWING NOT TO SCALE

OUTSWING BUMPER THRESHOLDS

428 A, B

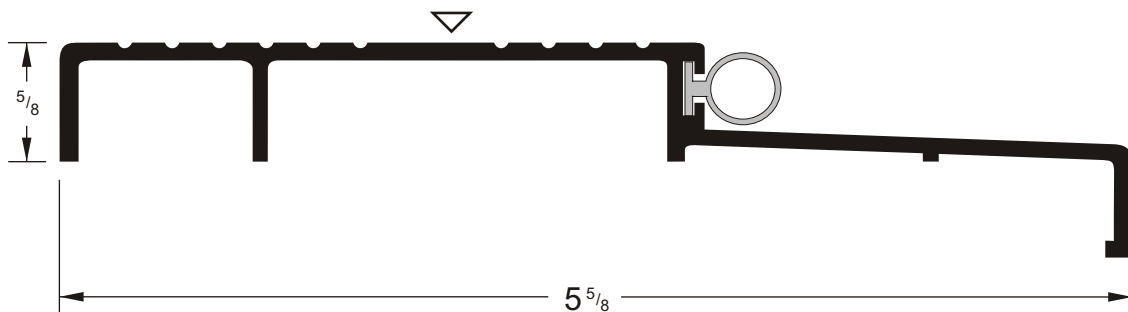
Extra high bumper threshold. 10 x 2" phillips flathead screws are included.



470 A, B

Bumper threshold.

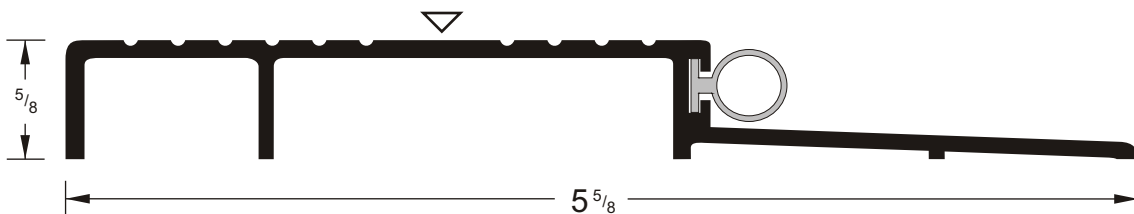
10 x 1-1/2" phillips flathead screws are included.



471 A, B

Bumper threshold for continuous level floor

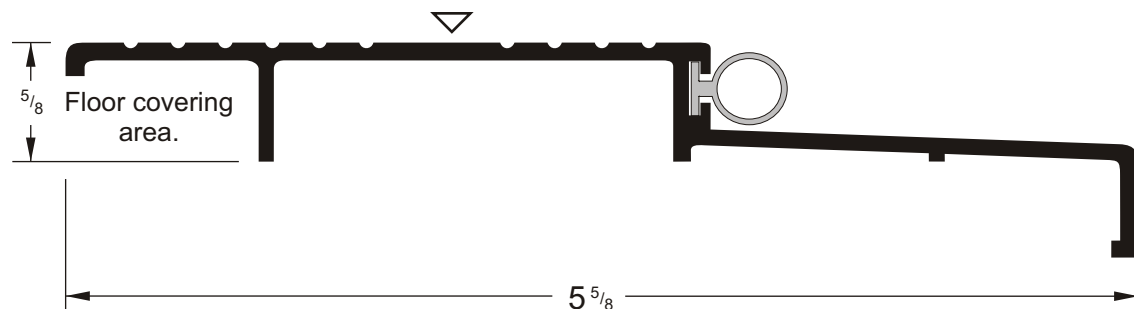
10 x 1-1/2" phillips flathead screws are included.



472 A, B

Bumper threshold will allow for floor covering.

10 x 1-1/2" phillips flathead screws are included.



**PRODUCTS ARE SHOWN ACTUAL SIZE
(EXCEPT AS NOTED)**