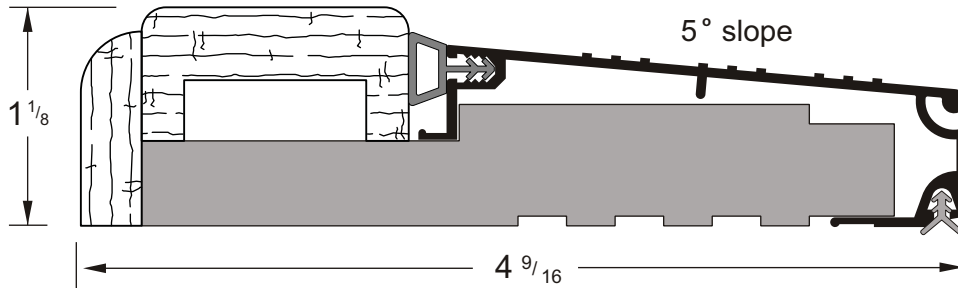


Section **6** INSULATED SILL THRESHOLDS

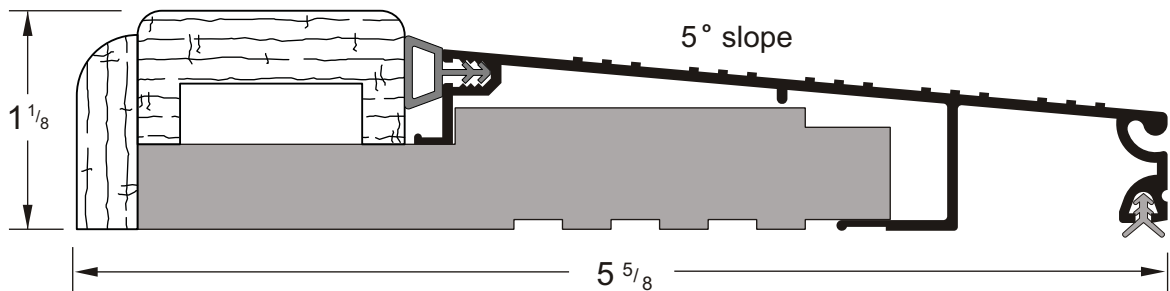
FIXED HARDWOOD THRESHOLDS

COMPOSITE OR WOOD SUBSTRATE AVAILABLE

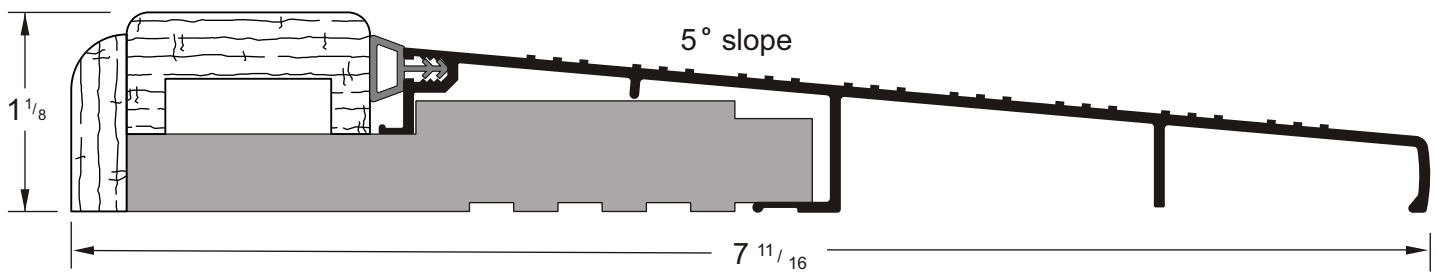
820
A, B, PG



822
A, B



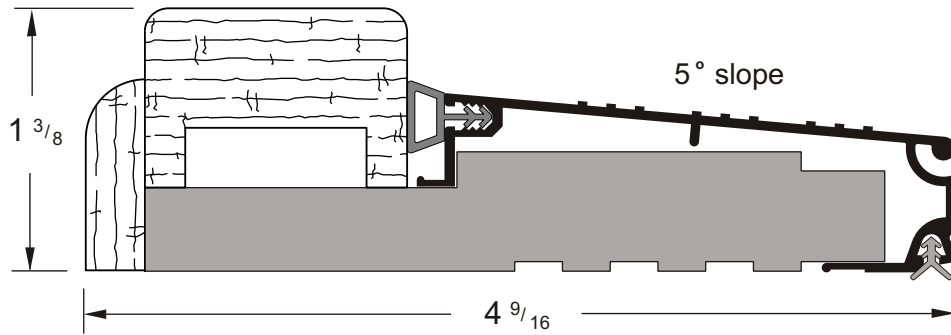
823
A, B



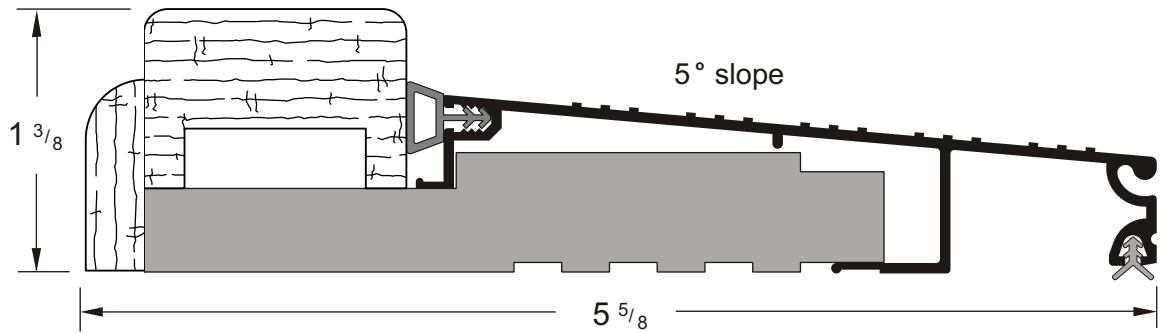
THIS DRAWING NOT TO SCALE

Available extenders shown on page 27.

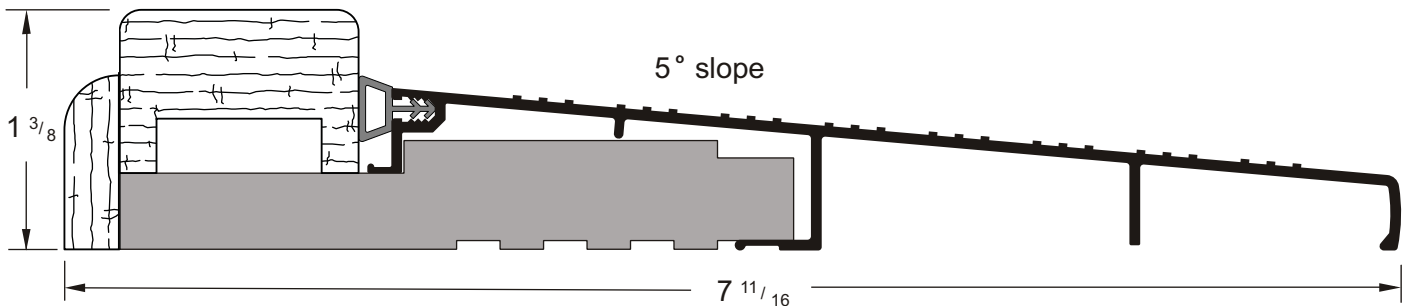
841
A, B,



842
A, B



843
A, B

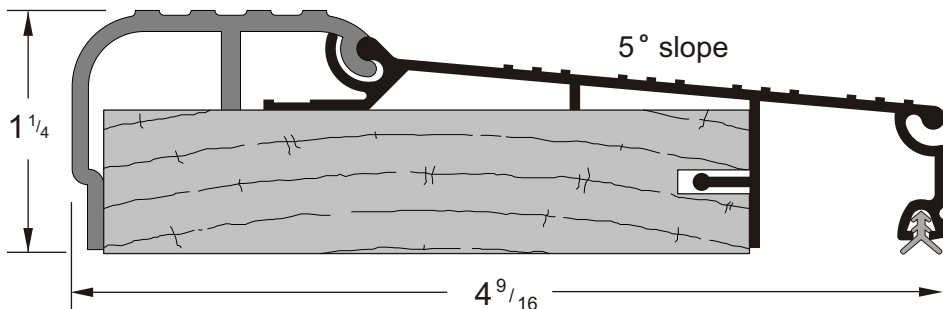


THIS DRAWING NOT TO SCALE.

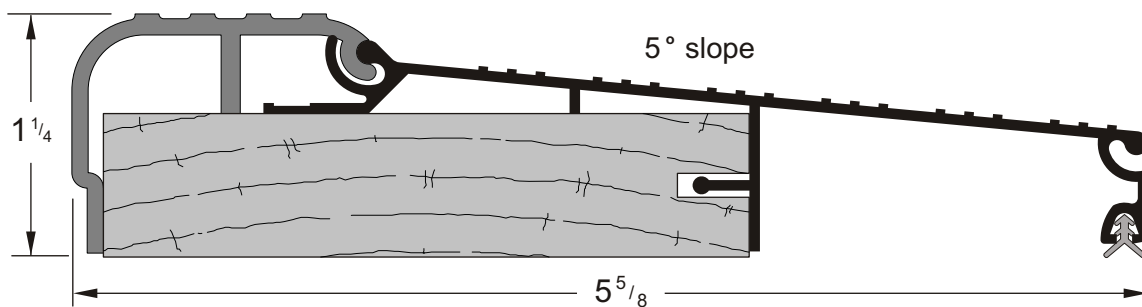
Available extenders shown on page 27.

FIXED ABS CAP

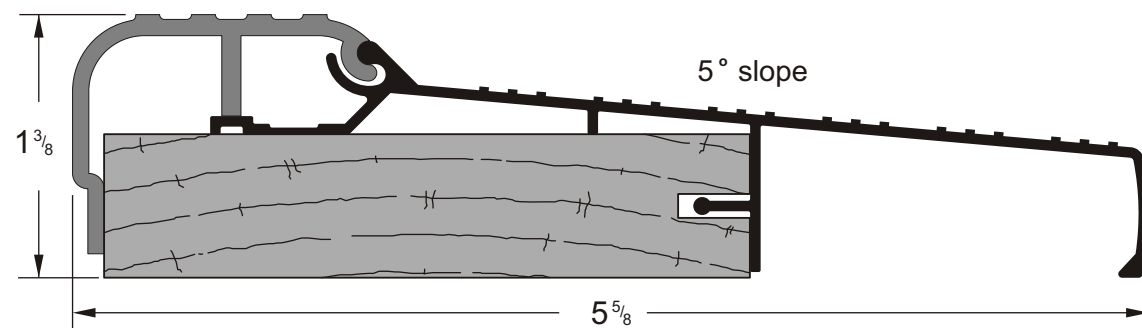
850
A, B



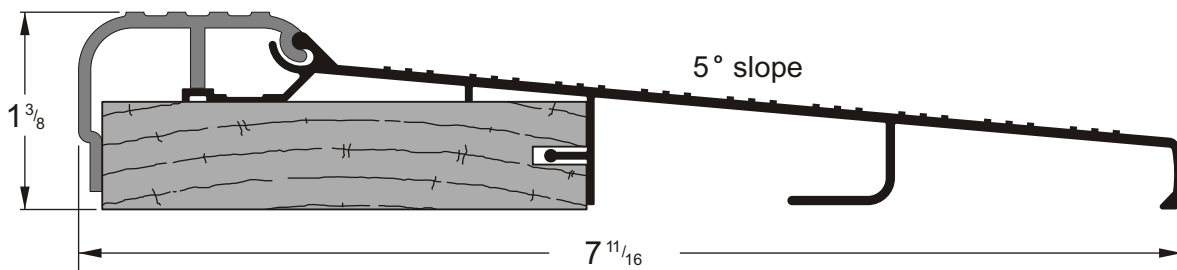
852
A, B



854
A, B



855
A, B



THIS DRAWING NOT TO SCALE.

Available extenders shown on page 27.

▽ Indicates location of standard fastener hole.

21 **PRODUCTS ARE SHOWN ACTUAL SIZE**

ADJUSTABLE HARDWOOD THRESHOLDS

COMPOSITE & WOOD SUBSTRATE AVAILABLE

Components:

HARDWOOD TRIM - Stapled, replaceable.

HARDWOOD CAP - Has maximum cross section (over 11/16") to resist bending and deflection. Adjustable from 1-1/8" to 1-3/8" in height or 1-3/8" to 1-5/8".

FASTENERS - color coated zinc plated steel fastener engages in zinc plated steel, rivet-type T-nut. T-nut is locked into substrate by a flaring operation.

SANTOPRENE® By Monsanto - dual durometer rubber seal retains memory for a better, longer lasting seal.

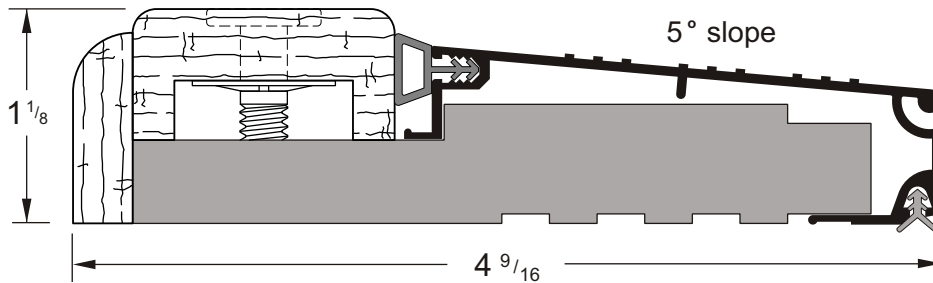
LEG VINYL - provides additional moisture barrier.

SUBSTRATE - Selected products use a dimensionally stable wood product or stable composite material product.

SIZES - Up to 144" length (1-1/8" high only).

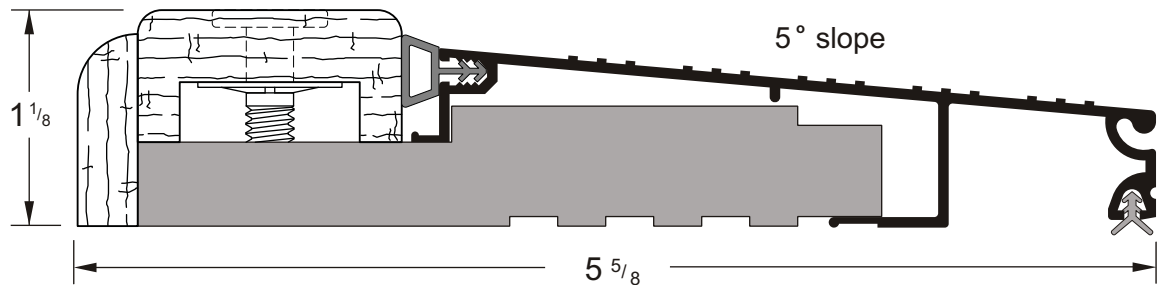
830

A, B, PG



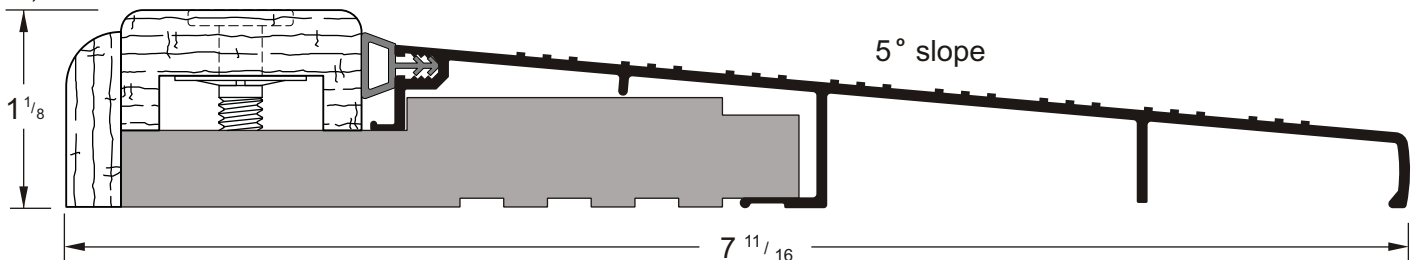
835

A, B



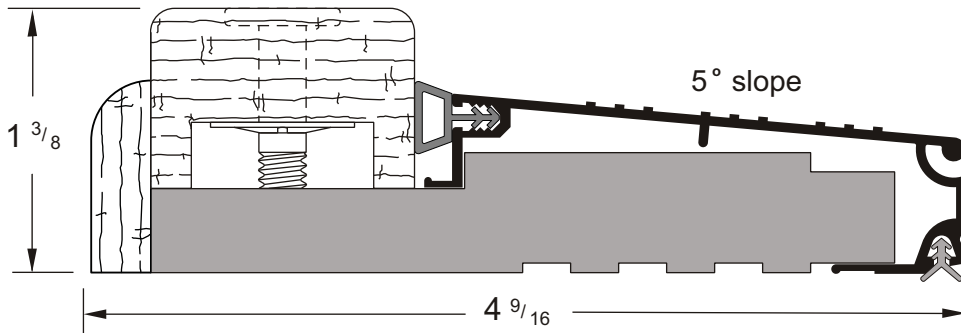
839

A, B

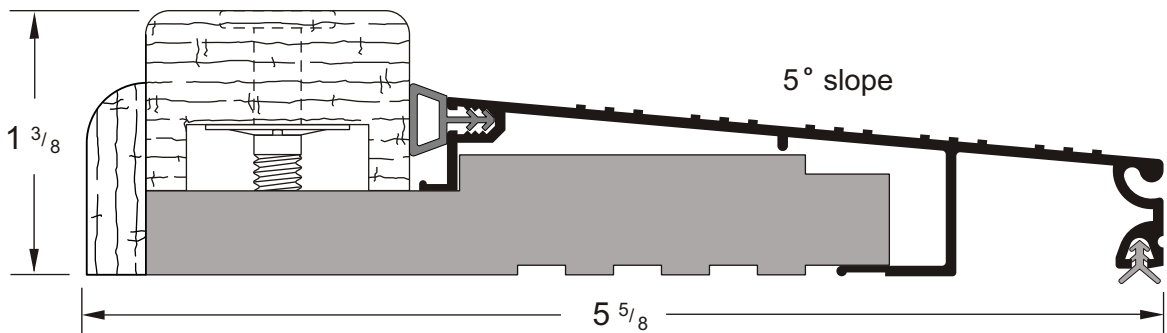


Available extenders shown on page 27. THIS DRAWING NOT TO SCALE

840
A, B, PG

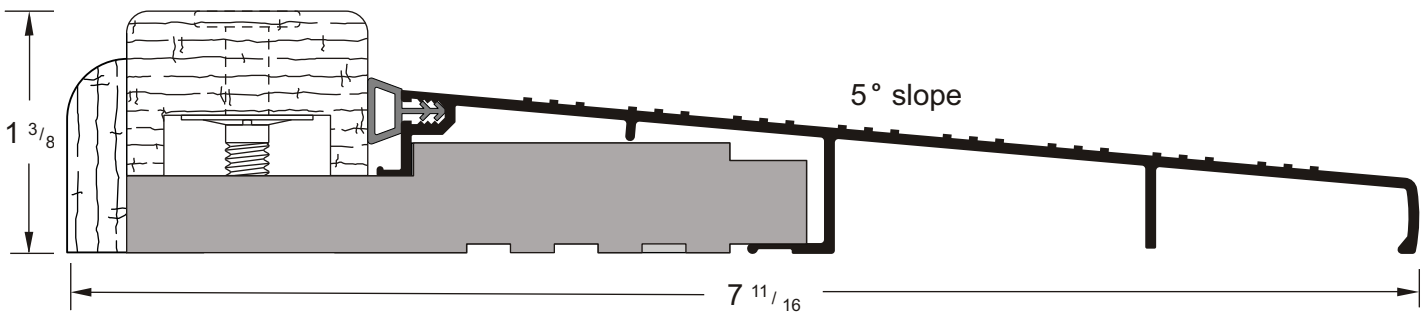


845
A, B



Available extenders shown on page 27.

849
A, B

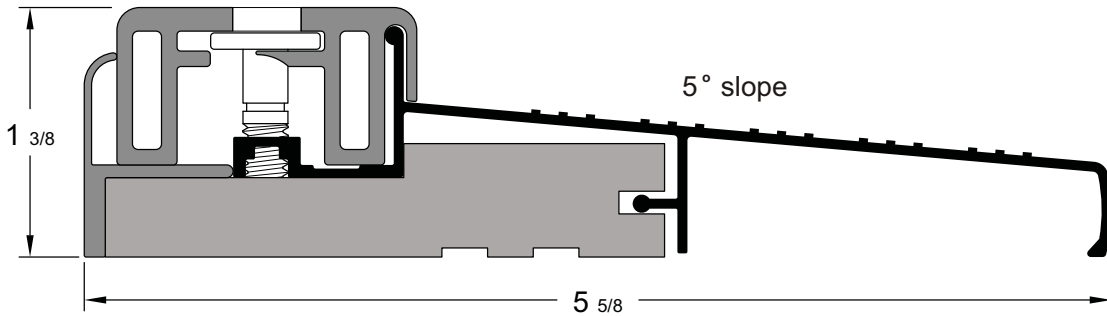


THIS DRAWING NOT TO SCALE

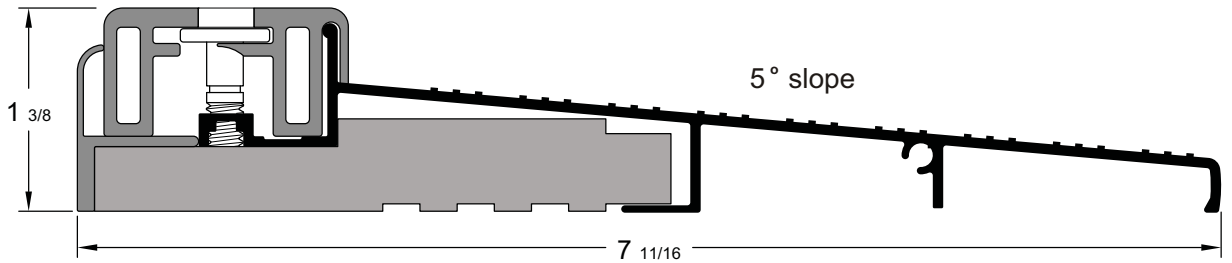
ADJUSTABLE FROM 1-3/8" TO 1-5/8"

COMPOSITE CAP / ALUMINUM BODY ADJUSTABLE thresholds designed as a thermal-break. Height adjusts from 1-3/8" to 1-5/8" (1/4").

757
A, B



777
A, B



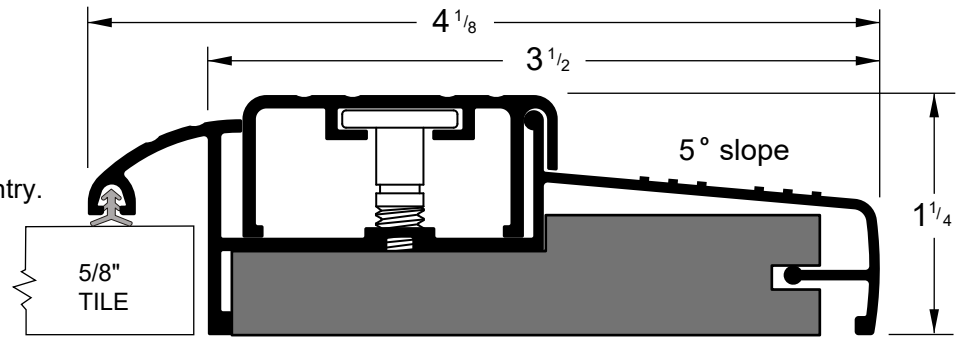
THIS DRAWING NOT TO SCALE

ADJUSTABLE ALL ALUMINUM THRESHOLDS

COMPOSITE OR WOOD SUBSTRATE AVAILABLE
Adjustable from 1-1/4" to 1-1/2" in height.

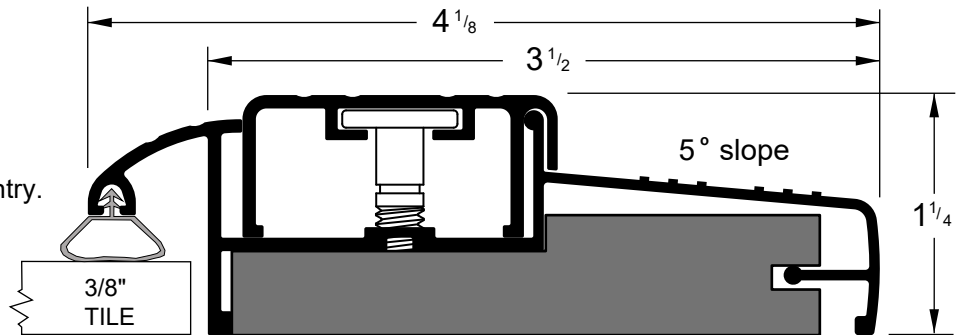
804
A, B

Designed specifically for 5/8" tile entry.



805
A, B

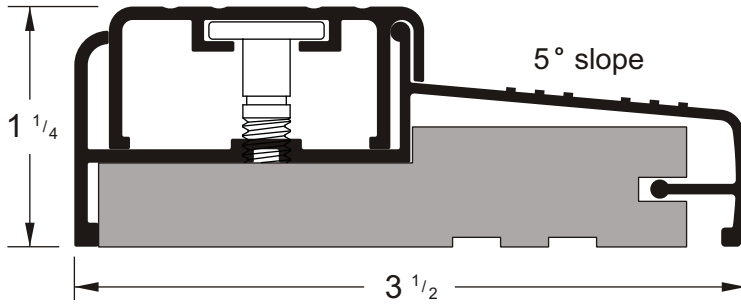
Designed specifically for 3/8" tile entry.



NOTE: Parts 804 & 805 are available in a tall cap version. Order as 904 & 905; which adjust from 1-3/8" to 1-5/8" in height.

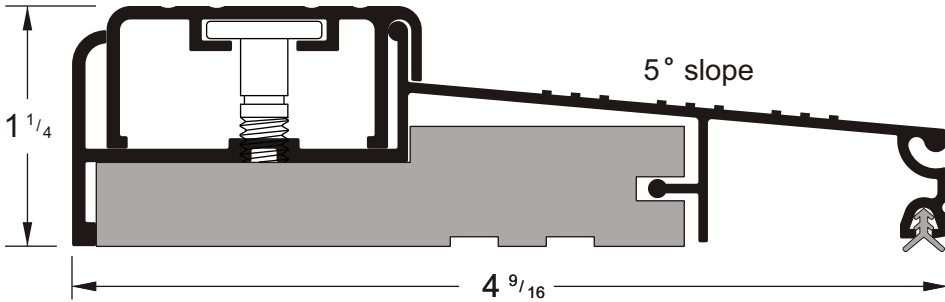
827

B, S



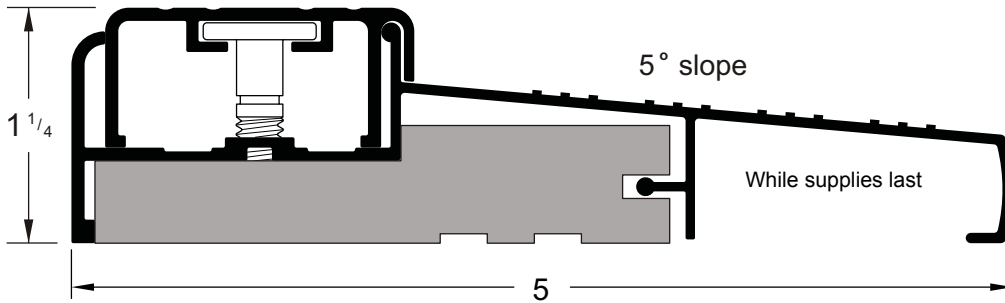
847

B, S



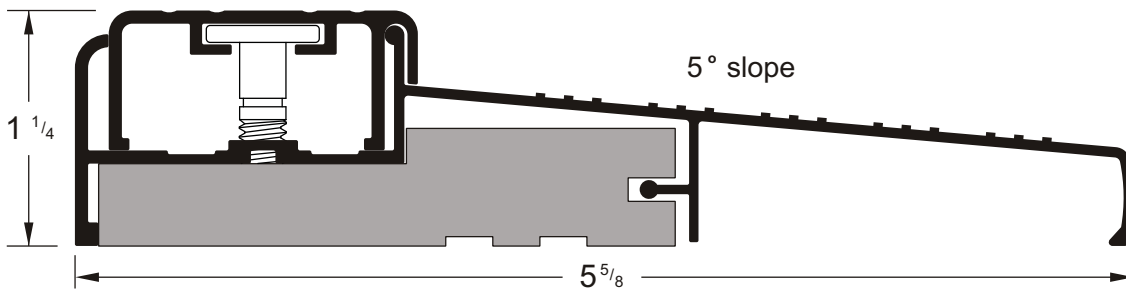
856

S



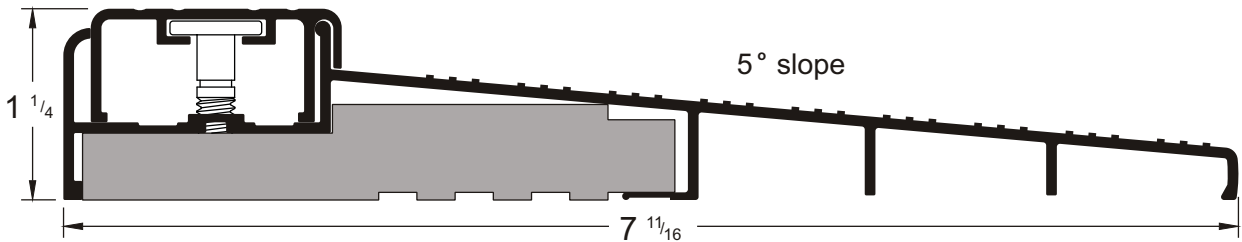
857

B, S



877

B, S



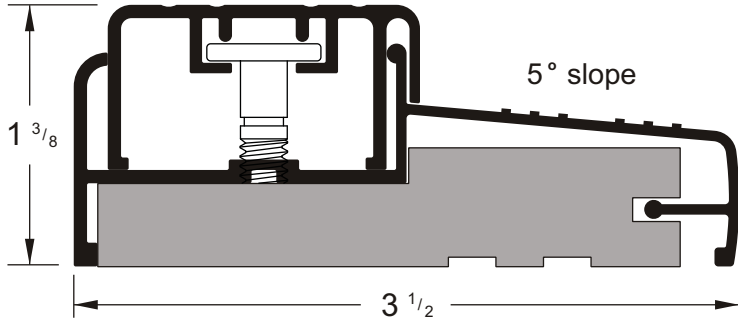
Available extenders shown on page 27.

THIS DRAWING NOT TO SCALE

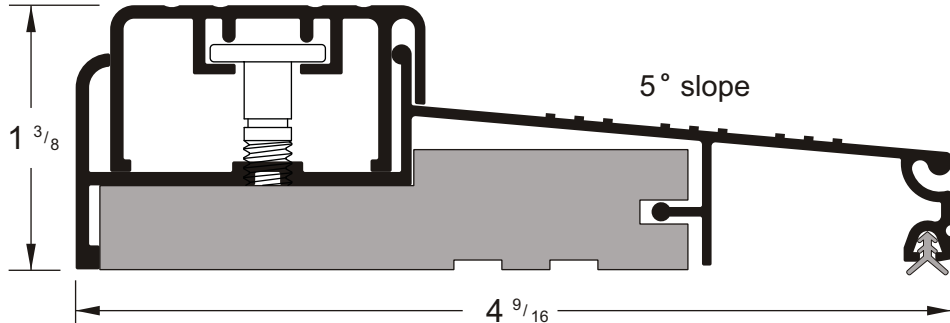
TALL CAP ADJUSTABLE ALL ALUMINUM THRESHOLDS

COMPOSITE OR WOOD SUBSTRATE AVAILABLE
Adjustable from 1-3/8" to 1-5/8" in height.

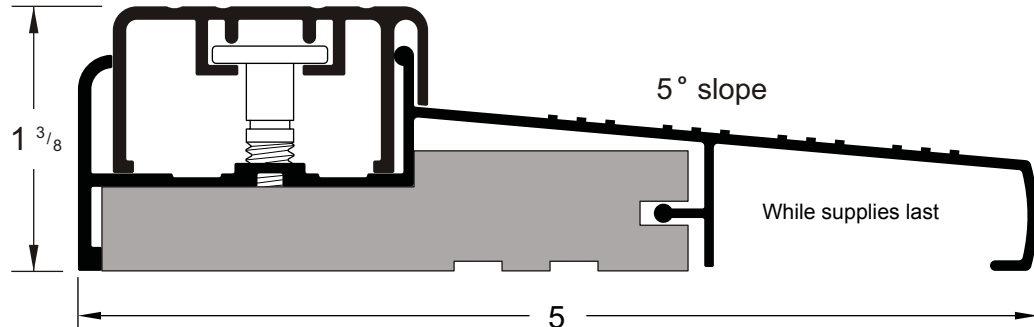
927
B, S



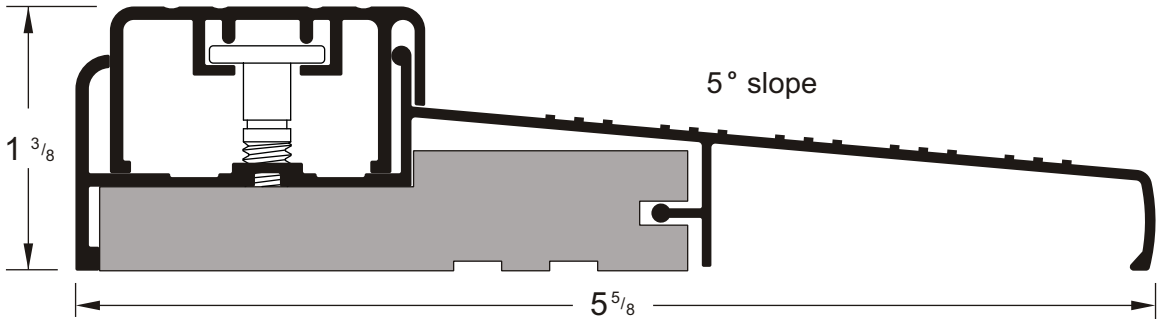
947
B, S



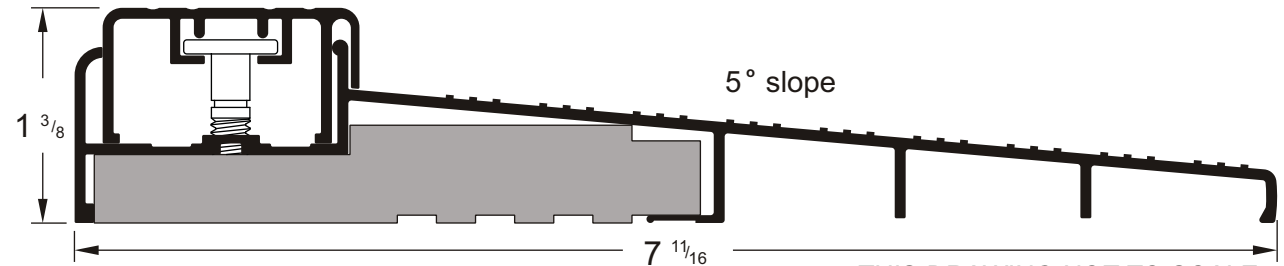
956
S



957
B, S



977
B, S



Available extenders shown on page 27.

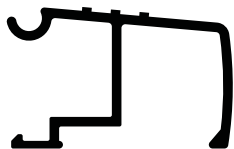
THIS DRAWING NOT TO SCALE

PRODUCTS ARE SHOWN ACTUAL SIZE
(EXCEPT AS NOTED)

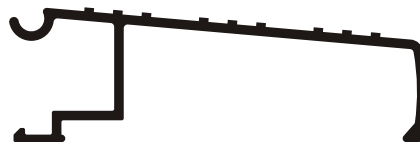
SILL EXTENDERS

Only for use with parts # 820, 830, 840, 841, & 850.

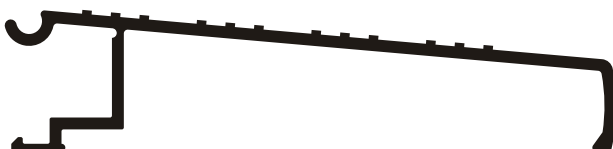
832 1"
A, PG



831 2"
A, B, PG

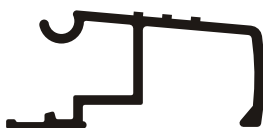


853 3"
A, B, PG



Only for use with parts # 542, 822, 835, 842, 845, 847, 852, & 947.

834 1"
B, S
While supplies last

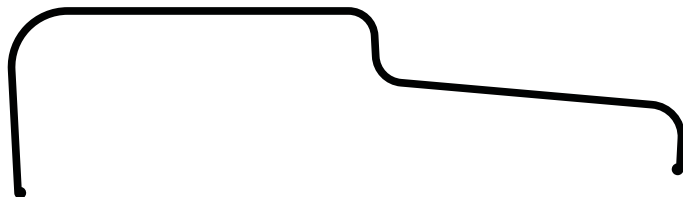


836 2"
A, B



RE-USABLE PVC PROTECTIVE COVERS

3727
For 3-1/2"
Thresholds



PRODUCTS ARE SHOWN ACTUAL SIZE
(EXCEPT AS NOTED)