

Section 1 DOOR BOTTOMS & SEALS

Door Bottoms are extruded aluminum with either double vinyl seal or wide finger vinyl seal.

Standard Size are 30", 32", 36", 42" & 48" and are cut 1/4" under unless noted.

Other lengths may be ordered, and are cut exact.

Door Bottoms have **slotted holes** for close adjustment. SMS 6 x 5/8" phillips panhead stainless steel screws are included.

◁ Indicates location of standard fastener hole.

THERMAL BREAK door bottoms are shown on page 5.

Color of sealing material is black. Made from virgin, flexible extruded vinyl.

Replacement sealing materials are available and sold by the foot (Page 44).

Custom fabrications - **Stop cuts & 3 degree bevel** - are available to assist installation. See page 4 for detail.

Typical clearance between door and threshold is 3/8". **Check before installation.**

Some Door Bottoms have a **drip cap** to direct rain water run-off. Weep holes are avail.

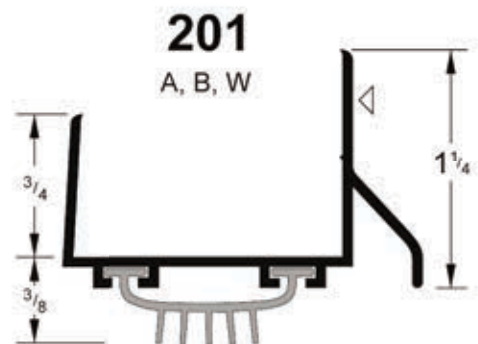
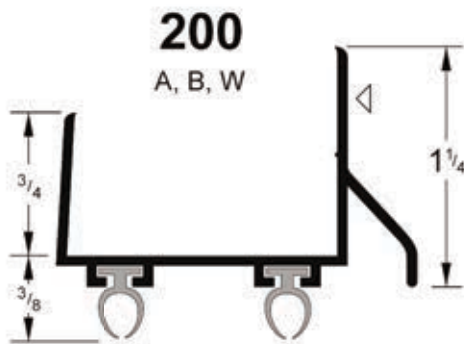
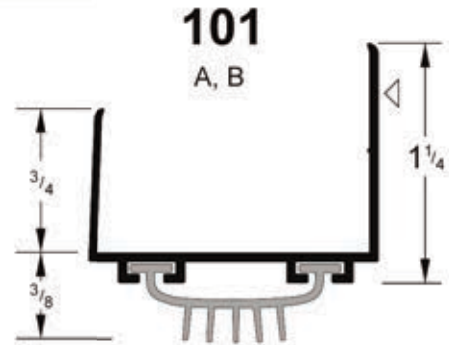
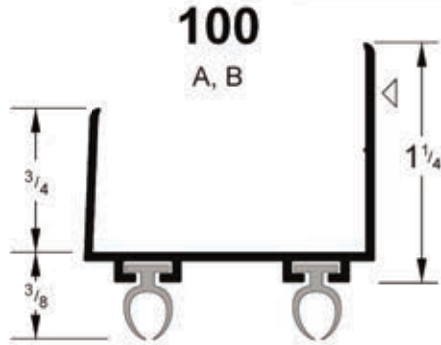
Threshold and Door Bottoms can be ordered in packaged sets.

Closure strips with a reach up to 1-1/4" (pages 7 & 8)

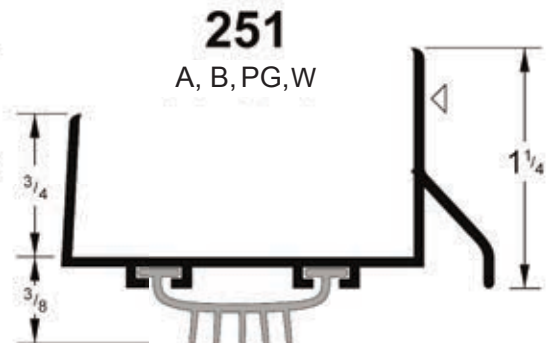
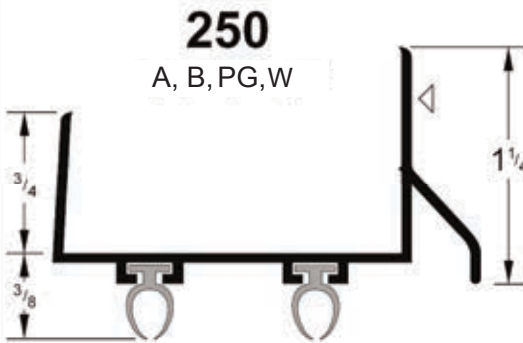
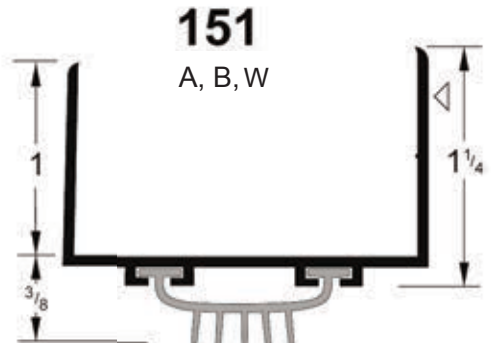
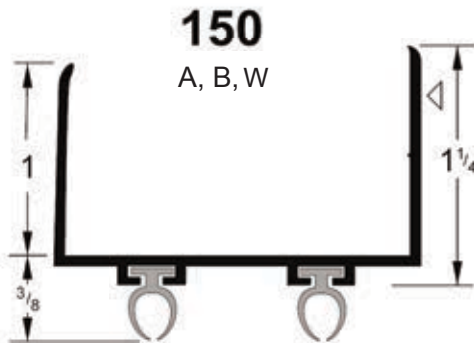
Automatic Door Bottoms are available in both Surface Mount and Mortise types.

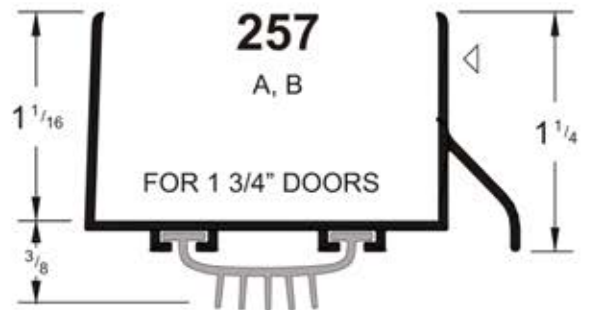
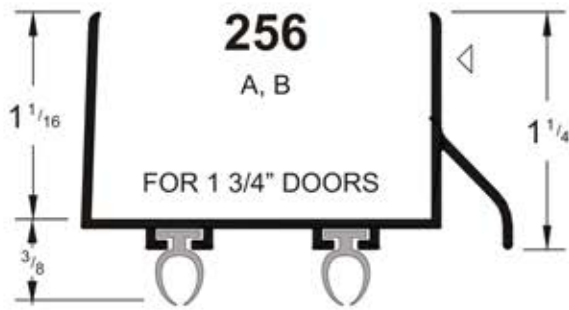
Part #255 is designed for hollow metal doors (page 4).

FOR 1-3/8" DOORS

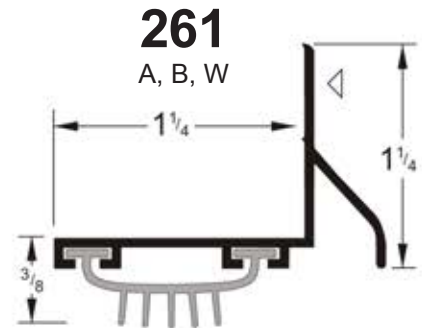
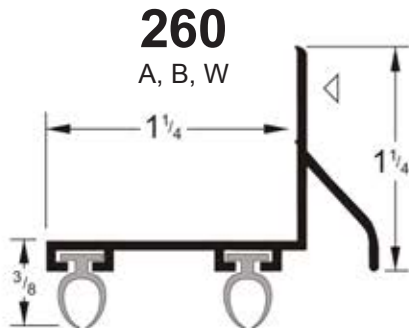


FOR 1-3/4" DOORS

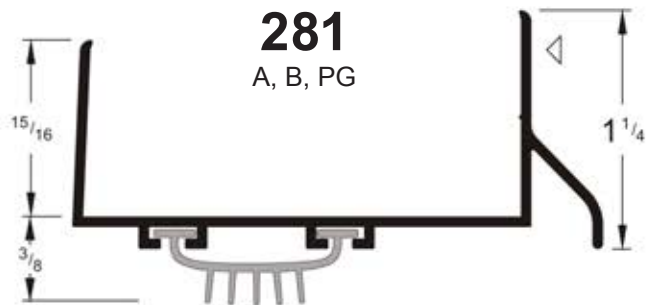
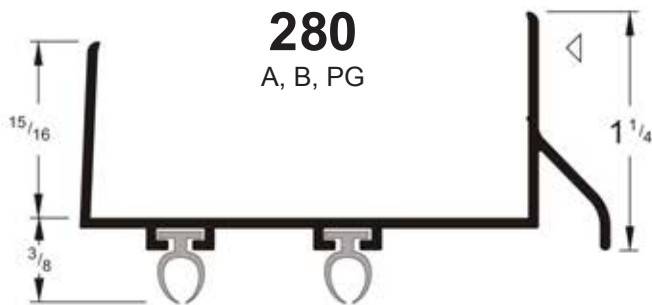




UNIVERSAL DOOR BOTTOMS

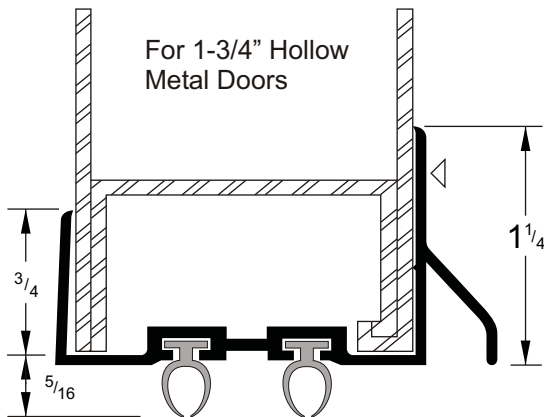


FOR 2-1/4\"/>

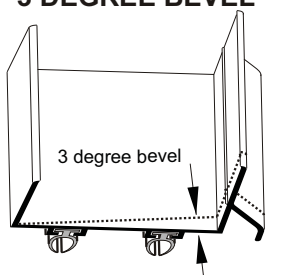


DOOR BOTTOM FAB OPTIONS

255 A, B



3 DEGREE BEVEL

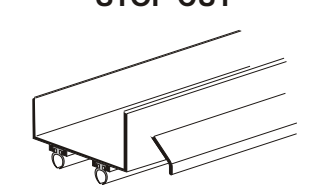


3 degree bevel

Order: Specify "inswing" or "outswing" door.

Bevel door bottom to fit bevel of door.

STOP CUT



Order: Specify size of stop cut: 1/2", 5/8" or 3/4".

Removes metal to prevent interference with door stop.

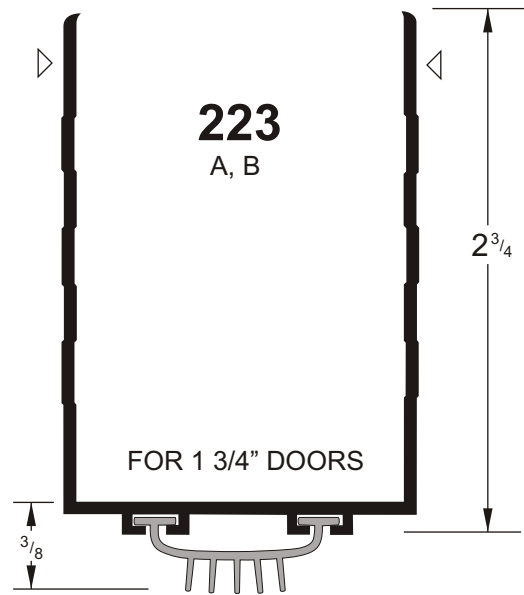
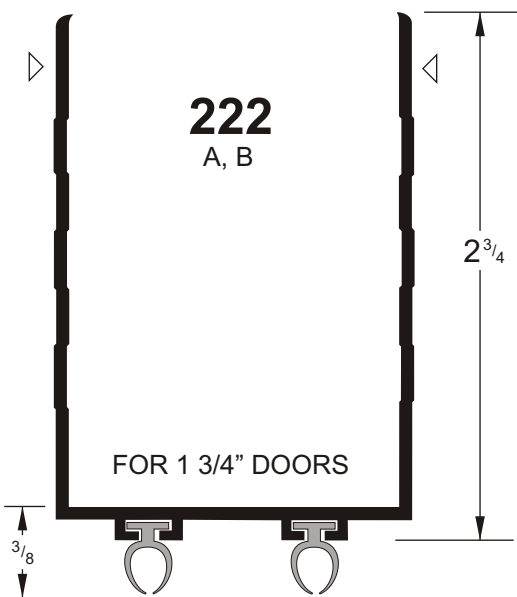
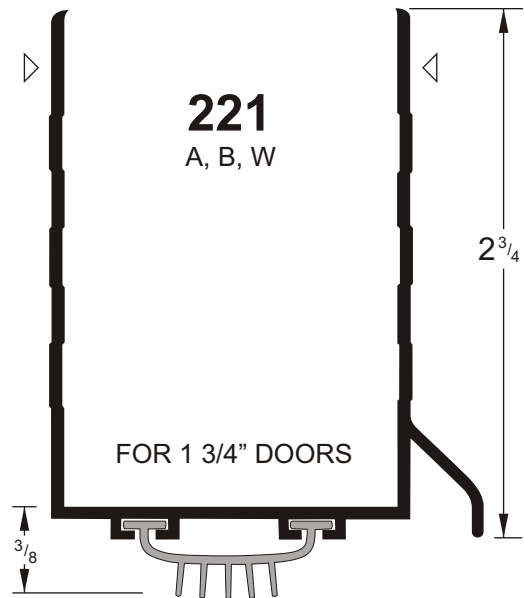
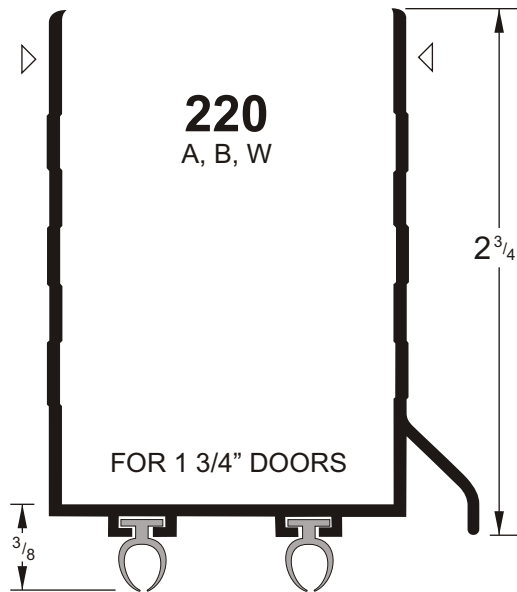
Self-drilling sheet metal screws are provided.

THESE DRAWINGS NOT TO SCALE

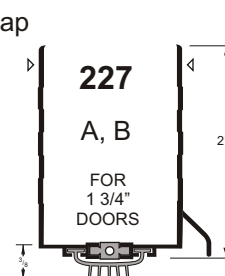
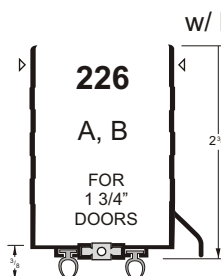
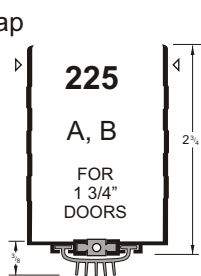
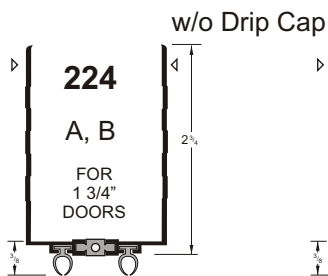
▽ Indicates location of standard fastener hole.

PRODUCTS ARE SHOWN ACTUAL SIZE 4

COMBINATION KICK PLATE AND DOOR BOTTOM



THERMAL BREAK DOOR BOTTOMS



Features:
Combination Door Bottom & Kick Plate with a drip cap.

Thermal Break is rigid PVC.

Slotted holes on both sides.

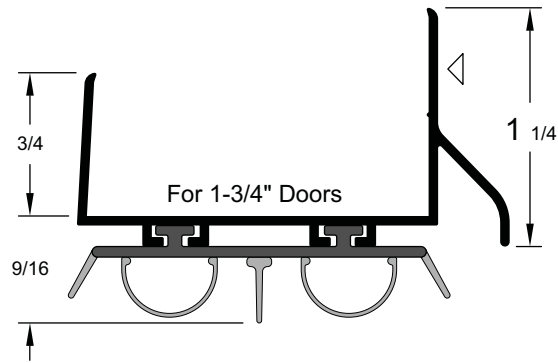
THESE DRAWINGS NOT TO SCALE

▽ Indicates location of standard fastener hole.

PRODUCTS ARE SHOWN ACTUAL SIZE (EXCEPT AS NOTED)

249

A, B, PG, W



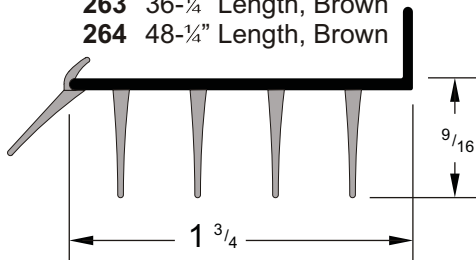
PVC Seal will fit:
All 1³/₄" Door Bottoms
except part #255

PVC DOOR BOTTOM (Dual Durometer)

For 1-3/4" door - attaches with staples, nails, or screws. (Not furnished)

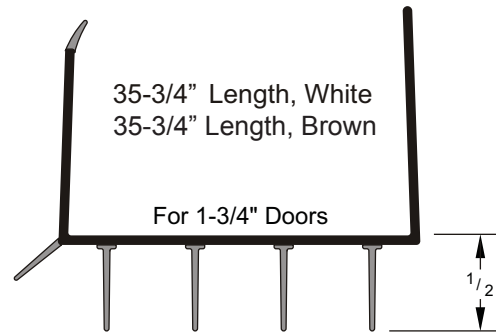
263

263 36-1/4" Length, Brown
264 48-1/4" Length, Brown



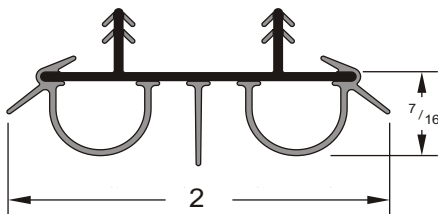
273
274

35-3/4" Length, White
35-3/4" Length, Brown



267

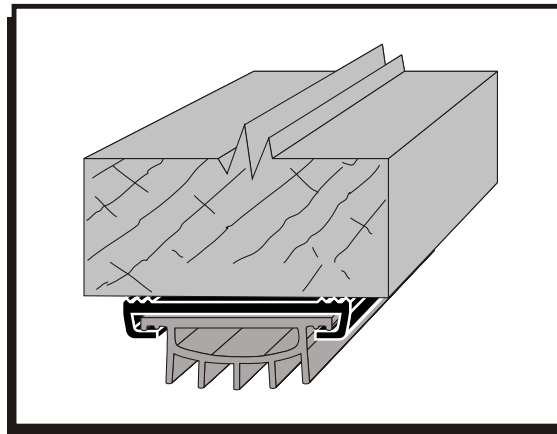
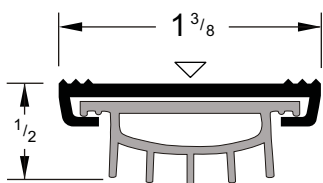
267 31-3/4" Length, Brown
268 35-3/4" Length, Brown



CONCEALED DOOR BOTTOMS

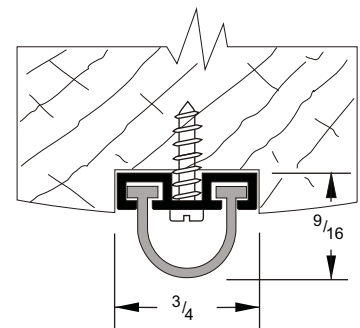
205

A, B (Cut Exact)



213

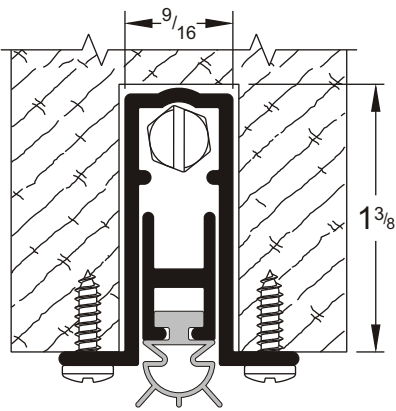
A, B (Cut Exact)
Mortise installation shown.
Seal is TPR Rubber.



▽ Indicates location of standard fastener hole.

PRODUCTS ARE SHOWN ACTUAL SIZE 6

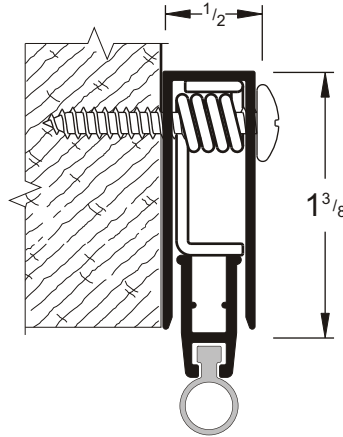
AUTOMATIC DOOR BOTTOMS



Mortise type automatic door bottom, vinyl seal, 3/4" max. drop.

240	24"
241	28"
242	30"
243	32"
244	36"
245	42"
246	48"

Finish:
A Aluminum Mill Finish



Surface mount automatic door bottom, pliable seal, 1/2" max. drop.

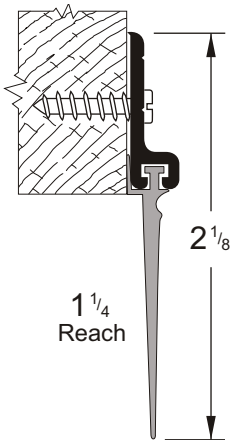
232	30" - 32"
233	34" - 36"
234	40" - 42"

Finish:
B Bronze Anodize
S Satin Anodize

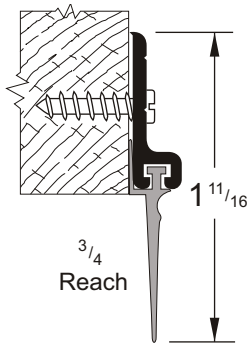
CLOSURE STRIPS

Closure strips are cut 1/4" over. Slotted holes for close adjustment. SMS 6 X 5/8" phillips-panhead screws are provided.

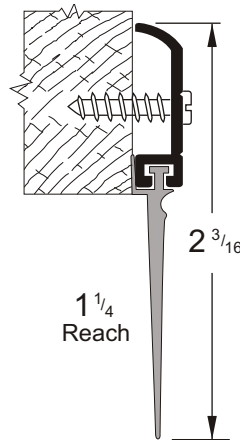
208
A, B, PG, W



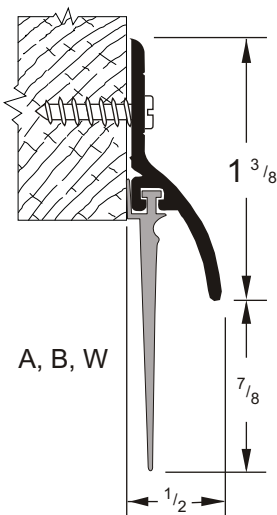
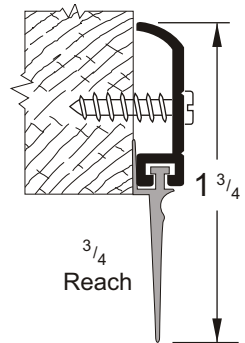
209
A, B, PG, W



210
A, B, W

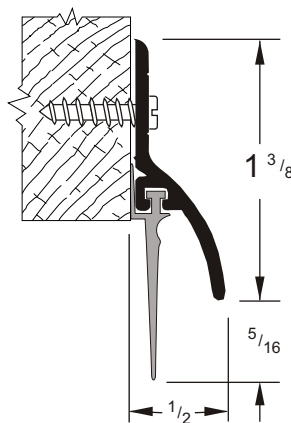


211
A, B, W

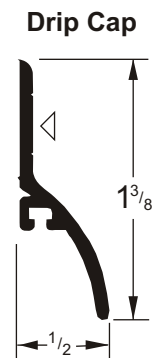


214 A, B, W

215 A, B, W

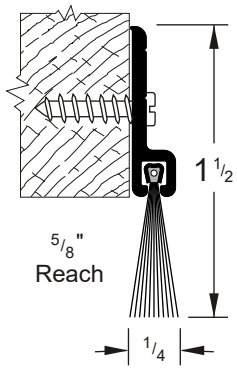


217 A, B, W

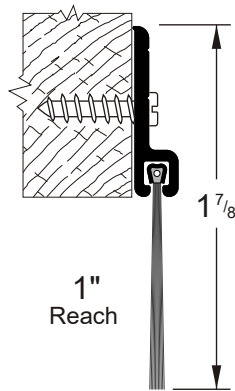


▽ Indicates location of standard fastener hole.

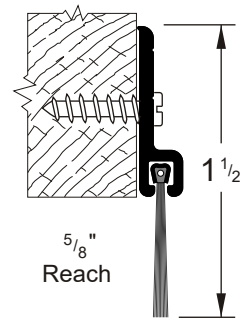
307 A, B



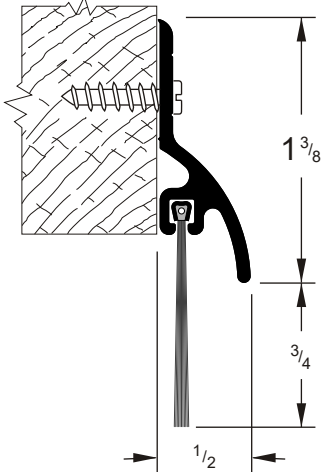
308 A, B



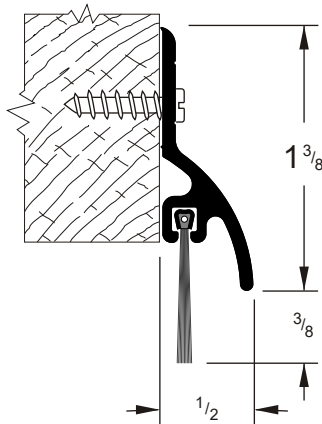
309 A, B



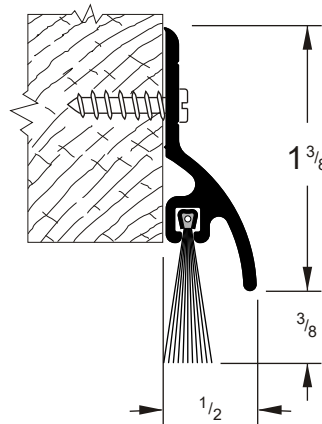
314 A, B



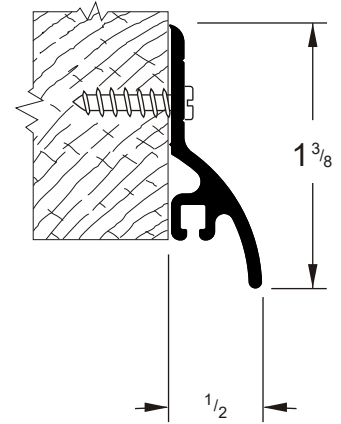
315 A, B



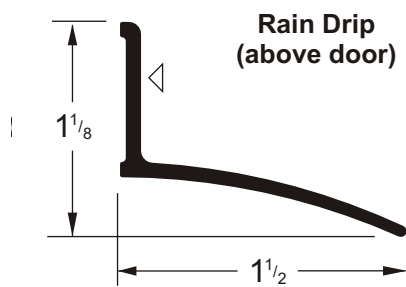
316 A, B



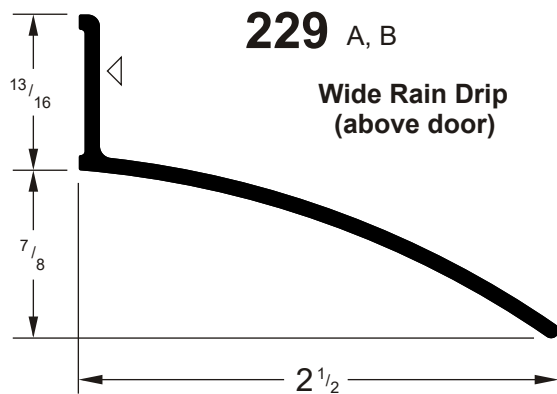
317 A, B



219 A, B, W



229 A, B



▽ Indicates location of standard fastener hole.