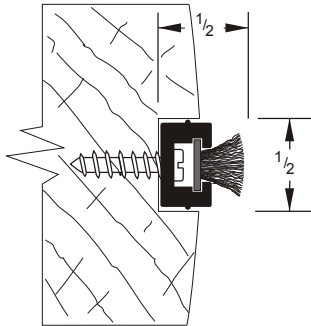


Section 10 ASTRAGALS & MEETING STILES

All Astragals and Meeting Stiles are cut exact.
 Standard Sizes: 80" and 84" (Except as noted).
 Other lengths are available and are cut exact as ordered (Extra cost over 84").

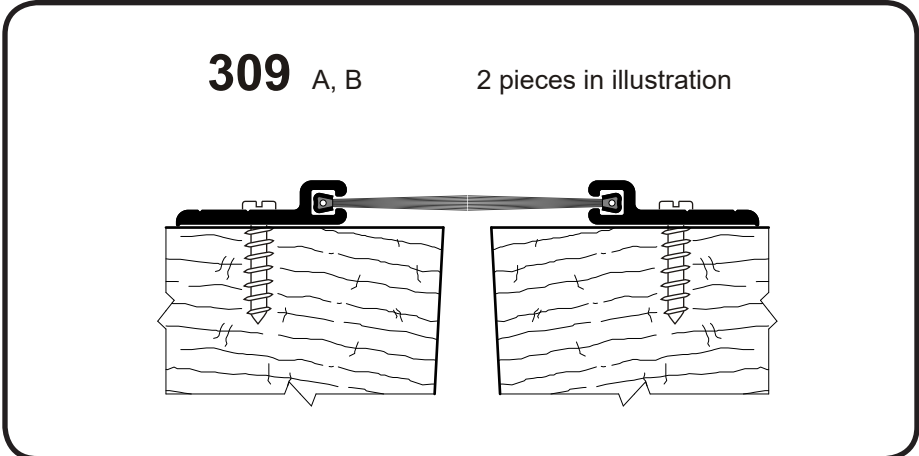
Steel Meeting Stiles are furnished with countersunk holes.
 Vinyl seal is black; fasteners are provided.

1130 P



Black rigid vinyl retainer. Mortised or surface mounted for proper sealing pressure. Black pile seal (#9082) shown. Optional seals available. SMS 4 x 5/8" phillips panhead screws are provided. **84" Length.**

Optional seals:
 9032T Bulb
 9082 Pile (Black)
 9088 Finned Pile (Black)
 (See seal profiles on page 44)

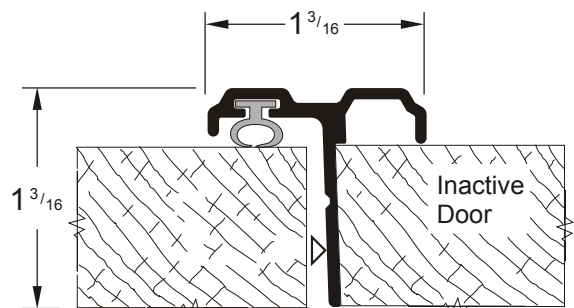


1152 P (Primed) 96" Length only

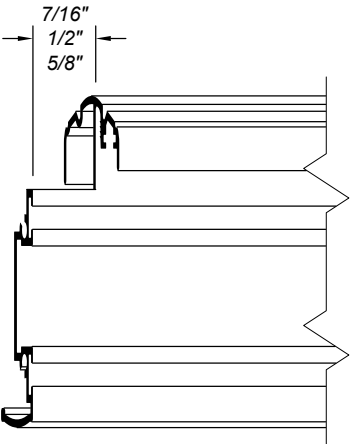


Steel meeting stile with countersunk holes. Primed finish. SMS 10 x 1" phillips flathead screws are provided.

1201 A, B, PG, W



Extruded aluminum T-Astragal. Screw nails provided.



ASTRAGAL STOP CUT OPTION

ASTRAGAL STOP CUT (ASC)
(for Parts 5000, 5400, 5450, 5475, & 5500)

Available Sizes: **7/16"**, **1/2"**, & **5/8"**

ASTRAGAL PRODUCTS FOR 1-3/4" IN-SWING DOORS

Standard Features for Astra-Bolts®

- 1) Hardware pack includes steel strike plate, installation spacers, neoprene bottom seal, escutcheon plate for header, fasteners and full instructions.
- 2) Seal materials of Santoprene®, Q-Lon®, vinyl, or pile as noted.
- 3) Steel bolts 5/16" diameter.
- 4) All astragals are field handed and can be field trimmed to size.
- 5) Dead bolt punch out and trim plate with spacers are available or included, as noted.
- 6) Trim strips, trim plates, strike plates and accessories in black color or black finish.
- 7) Accommodates heavy reveal on newer doors.
- 8) Special sizes available.

Astra-Bolt® is a registered trade name for Combo Aluminum Product's Double Door Astragals.

5000 ASTRA-BOLT

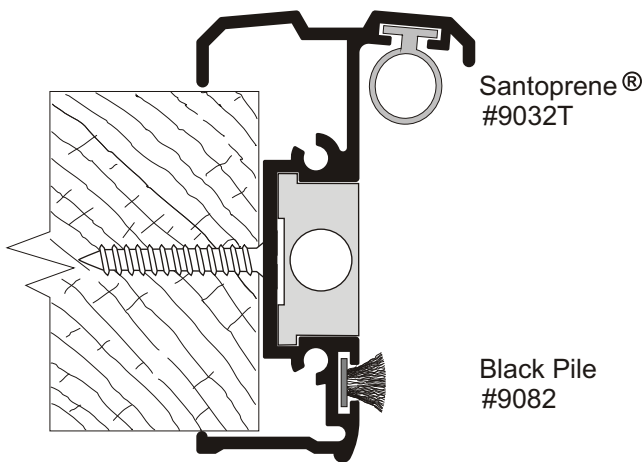
B, S, W

This astragal has all of the standard features of other Combo Astra-Bolts, plus the C-index plate. This plate is an integral part of the lock mechanism which enables the bolt to function correctly when the astragal length has been field trimmed.

Specific Features:

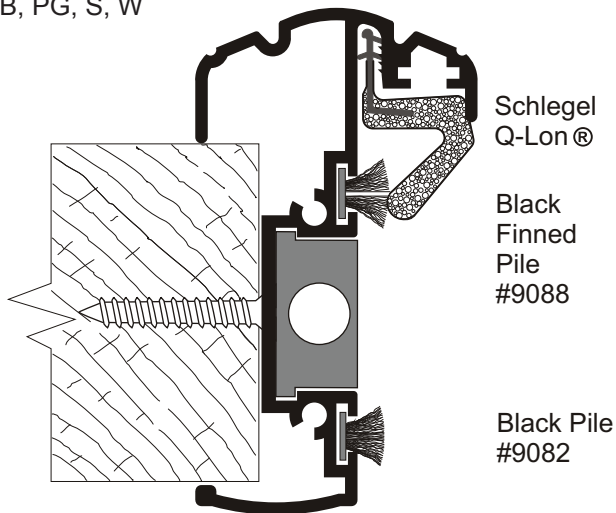
- 1) **22" bolt units** with spring detent,
- 2) Double seal at exterior and interior location,
- 3) Requires **1/2"** space between doors (plus clearance),
- 4) Surface mount,
- 5) Includes bottom seal and top escutcheon plate.

Options: 8" Dead bolt punch out
 Dead bolt trim pack (trim plate and spacers)
 Pile seals (#'s 9082 and 9088)



5400 ASTRA-BOLT

B, PG, S, W



**TRIPLE WEATHERSTRIP SEAL
and
22" LOCKING BOLTS**

Features:

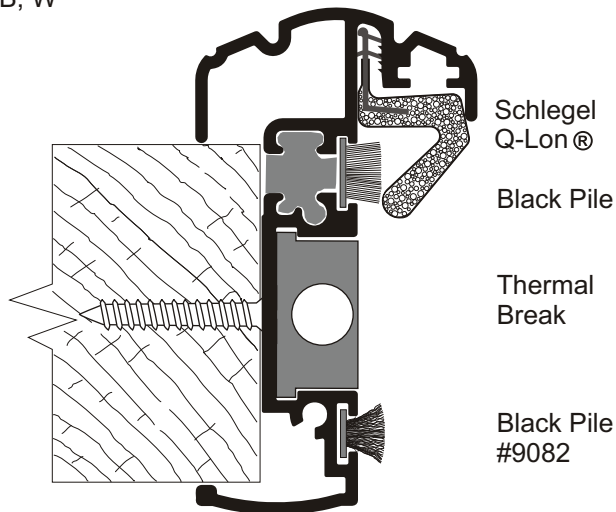
- 1) Accepts doors with heavy reveal,
- 2) Field handed, can be field trimmed,
- 3) Full strike plate & dead bolt trim plate,
- 4) Dead bolt punch out for ease of installation,
- 5) Escutcheon plate for head,
- 6) Thermoplastic bottom seal.

For in-swing doors only

1/2" space between doors plus clearance.

5450 THERMAL-BREAK ASTRA-BOLT

B, W



THIS DRAWING NOT TO SCALE

PATENT 6457751
(Bolt Assembly)

22 INCH SPRING
DETENT POSITIVE
ACTION BOLT UNIT
TOP & BOTTOM

QUARTER-TURN
RED KNOB FOR
ADDED SECURITY

SCHLEGEL
Q-LON®
DOOR SEAL

INCLUDES 8"
PUNCH OUTS FOR
DEAD BOLT
(TWO ON 96"+)

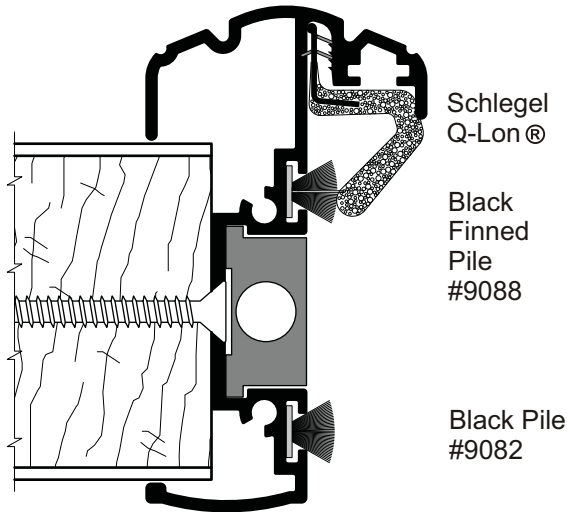
DEAD BOLT TRIM
PLATE

FULL STRIKE
PLATE

**PRODUCTS ARE SHOWN ACTUAL SIZE
(EXCEPT AS NOTED)**

5475 HURRICANE-RATED ASTRA-BOLT

B, PG, S, W



Features:

- 1) 5/16" dia hardened steel pin,
- 2) 22" spring detent positive action bolt unit top & bottom (Patent #6457751),
- 3) 2 heavy duty escutcheon plates for top and bottom.

Additionally:

Field handed, can be field trimmed,
Thermoplastic bottom seal provided,
Fasteners included.

For in-swing doors only

1/2" space between doors
plus clearance.



THIS DRAWING NOT TO SCALE



PATENT 6457751
(Bolt Assembly)

5/16" DIAMETER
HARDENED
STEEL PIN

22 INCH SPRING
DETENT POSITIVE
ACTION BOLT UNIT
TOP & BOTTOM

QUARTER-TURN
RED KNOB FOR
ADDED SECURITY

SCHLEGEL
Q-LON®
DOOR SEAL

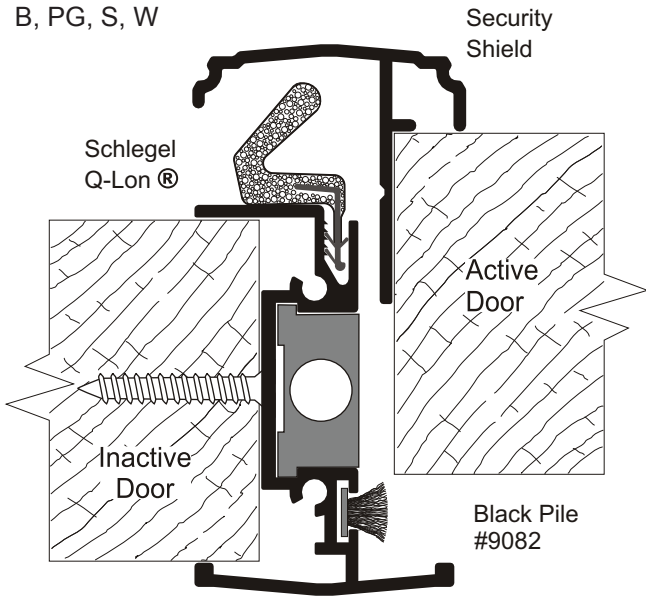
DEAD BOLT TRIM
PLATE

FULL STRIKE
PLATE

ASTRA-BOLT FOR OUT-SWING DOORS

5500

B, PG, S, W



This COMBO two piece astragal is for:
1-3/4" OUT-SWING DOORS

Features:

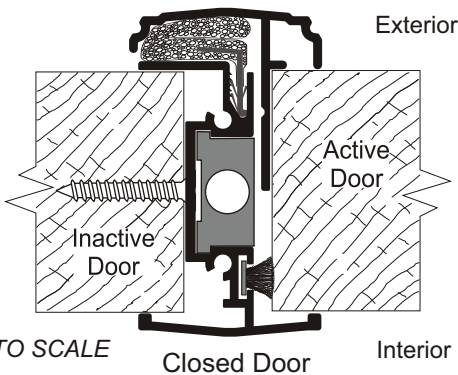
For The Active Door:

Extruded aluminum Security Shield (screw nails provided).

Option: Drill and countersink holes on shield with screws provided.

For The Inactive Door:

Field handed, can be field trimmed,
Full strike plate & dead bolt trim plate,
Dead bolt punch out for ease of installation,
Escutcheon plate for head,
Spacing requirements: 1/2" for astragal and 1/16" for security shield, plus clearance.



NOT TO SCALE

Closed Door

Interior

22 INCH SPRING
DETENT POSITIVE
ACTION BOLT UNIT
TOP & BOTTOM

QUARTER-TURN
RED KNOB FOR
ADDED SECURITY

SCHLEGEL
Q-LON®
DOOR SEAL

INCLUDES 8"
PUNCH OUTS
FOR DEAD BOLT
(TWO ON 96"+)

DEAD BOLT
TRIM PLATE

FULL STRIKE
PLATE

PATENT 6457751
(Bolt Assembly)



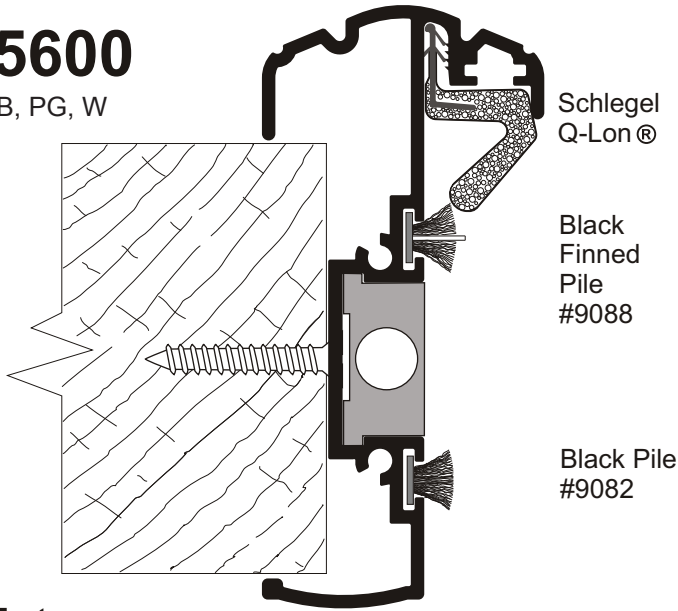
THIS DRAWING NOT TO SCALE

**PRODUCTS ARE SHOWN ACTUAL SIZE
(EXCEPT AS NOTED)**

ASTRA-BOLT FOR 2-1/4" IN-SWING DOORS

5600

B, PG, W



Schlegel Q-Lon®

Black Finned Pile #9088

Black Pile #9082

Features:

- 1) Accepts doors with heavy reveal,
- 2) Field handed, can be field trimmed,
- 3) Full strike plate & dead bolt trim plate,
- 4) Dead bolt punch out for ease of installation,
- 5) Escutcheon plate for head,
- 6) Thermoplastic bottom seal.

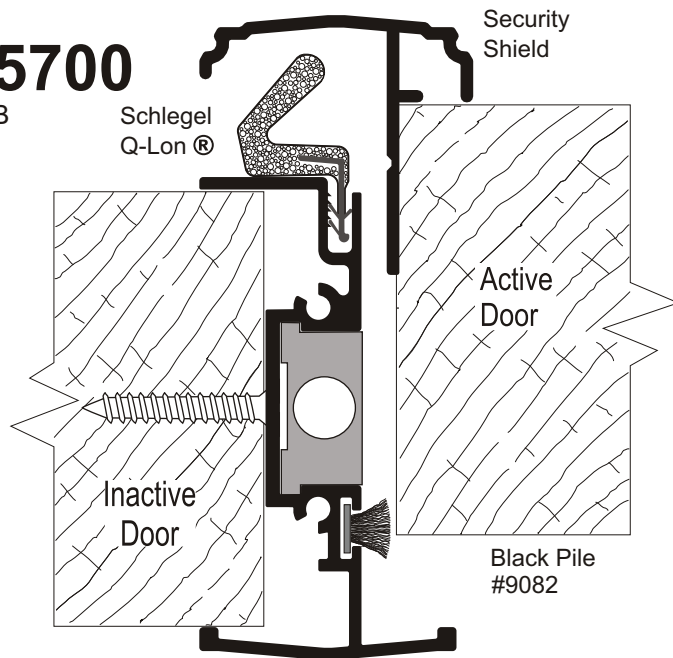
For in-swing doors only

1/2" space between doors plus clearance.

ASTRA-BOLT FOR 2-1/4" OUT-SWING DOORS

5700

B



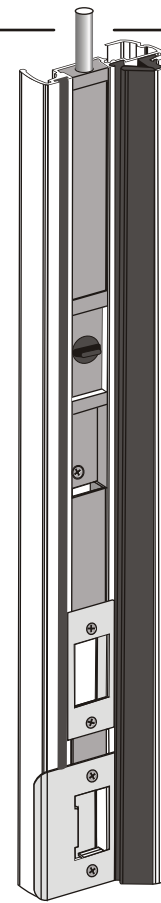
Security Shield

Schlegel Q-Lon®

Active Door

Inactive Door

Black Pile #9082



PATENT 6457751
(Bolt Assembly)

22 INCH SPRING DETENT POSITIVE ACTION BOLT UNIT TOP & BOTTOM

QUARTER-TURN RED KNOB FOR ADDED SECURITY

SCHLEGEL Q-LON® DOOR SEAL

INCLUDES 8" PUNCH OUTS FOR DEAD BOLT (TWO ON 96"+)

DEAD BOLT TRIM TRIM PLATE

FULL STRIKE PLATE

THESE DRAWINGS NOT TO SCALE

22 INCH SPRING DETENT POSITIVE ACTION BOLT UNIT TOP & BOTTOM

SCHLEGEL Q-LON® DOOR SEAL

QUARTER-TURN RED KNOB FOR ADDED SECURITY

INCLUDES 8" PUNCH OUTS FOR DEAD BOLT (TWO ON 96"+)

DEAD BOLT TRIM TRIM PLATE

FULL STRIKE PLATE

PATENT 6457751
(Bolt Assembly)



Security Shield

PRODUCTS ARE SHOWN ACTUAL SIZE (EXCEPT AS NOTED)