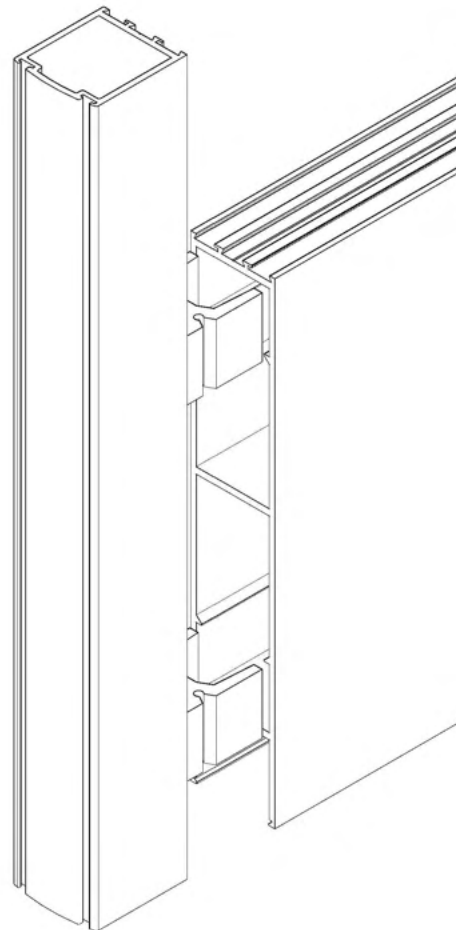
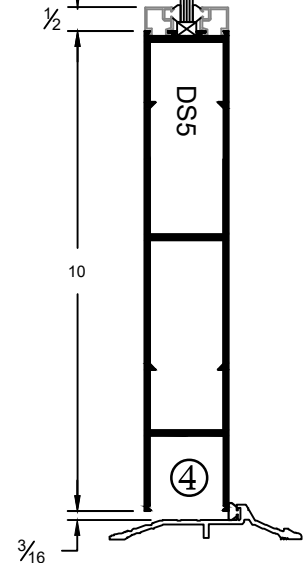
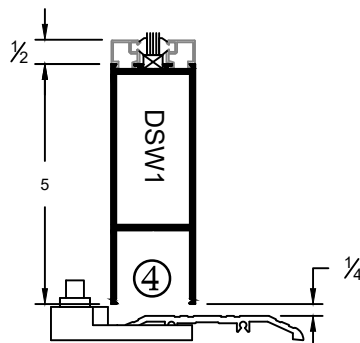
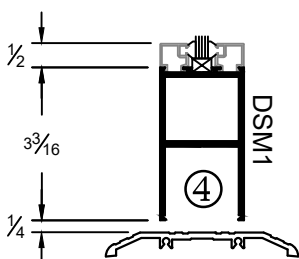
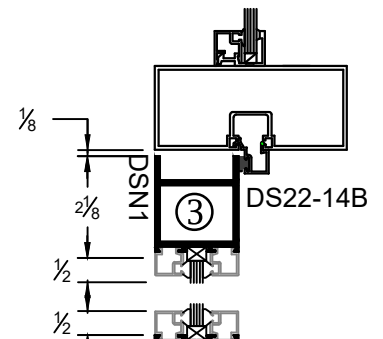
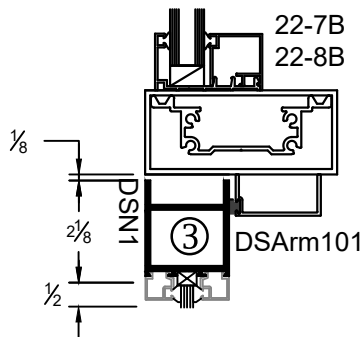
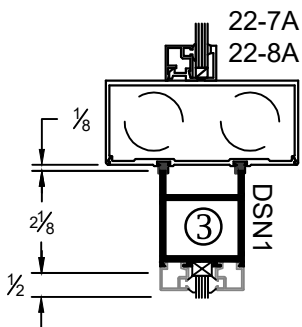
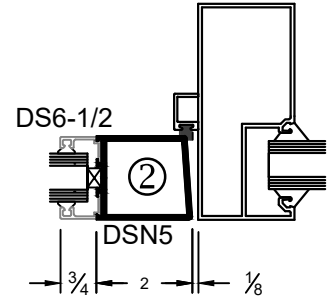
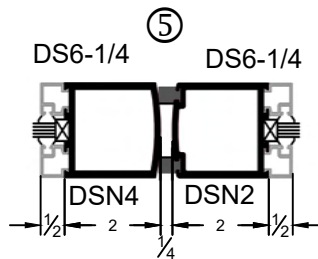
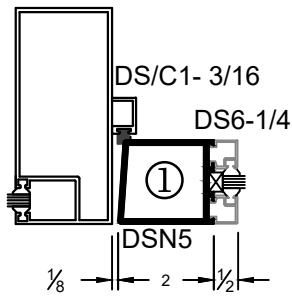
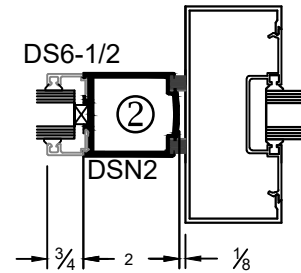
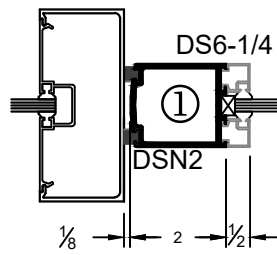
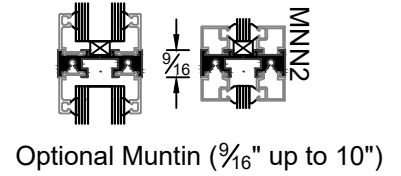
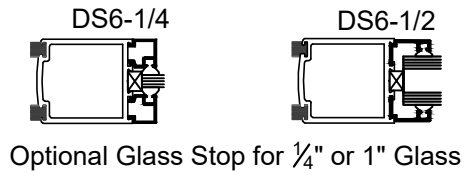
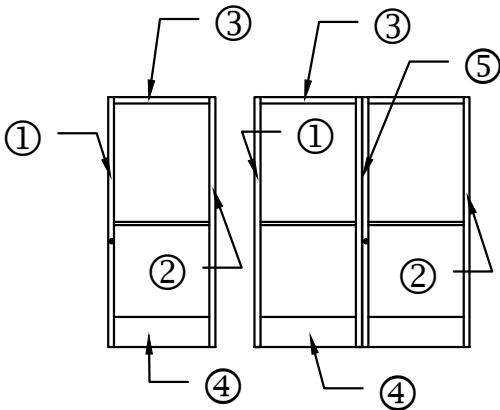


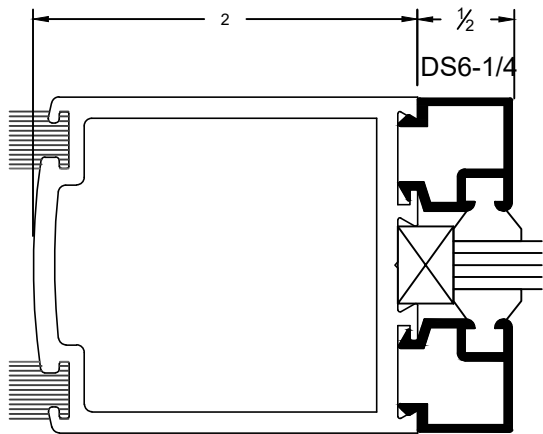
**Joint of Door Stile
& 2" Top Rail**
(Double Mohair)

**Joint of Door Stile
& 10" Bottom Rail**

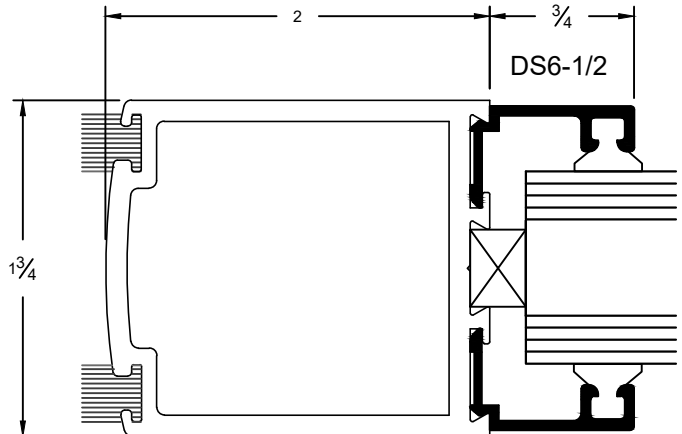


HS HARDWARE SOLUTIONS NARROW STILES ENTRANCE DOOR

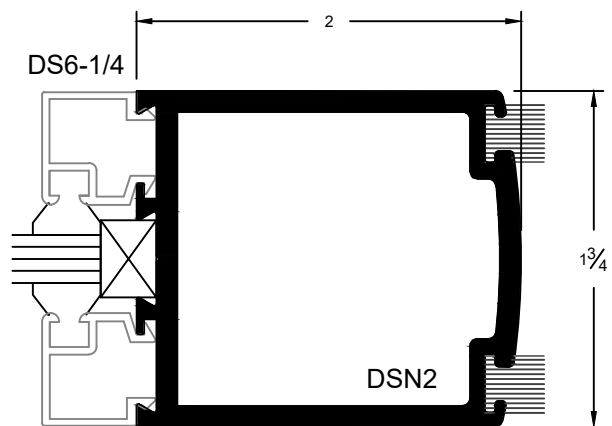
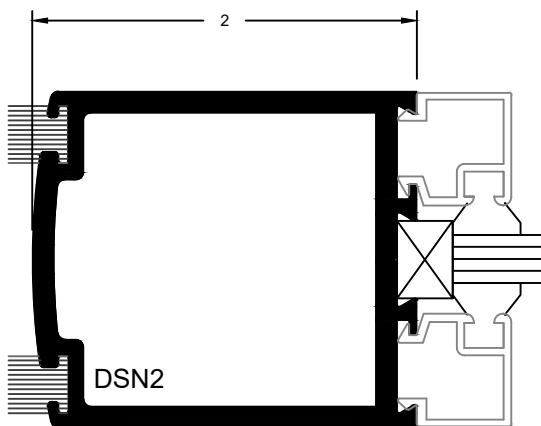




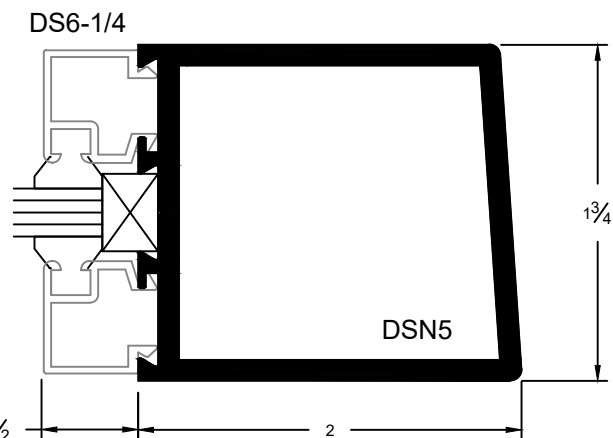
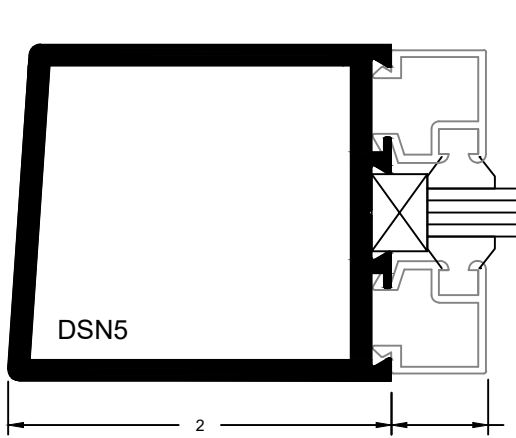
1/4" Glass Stop & Stile



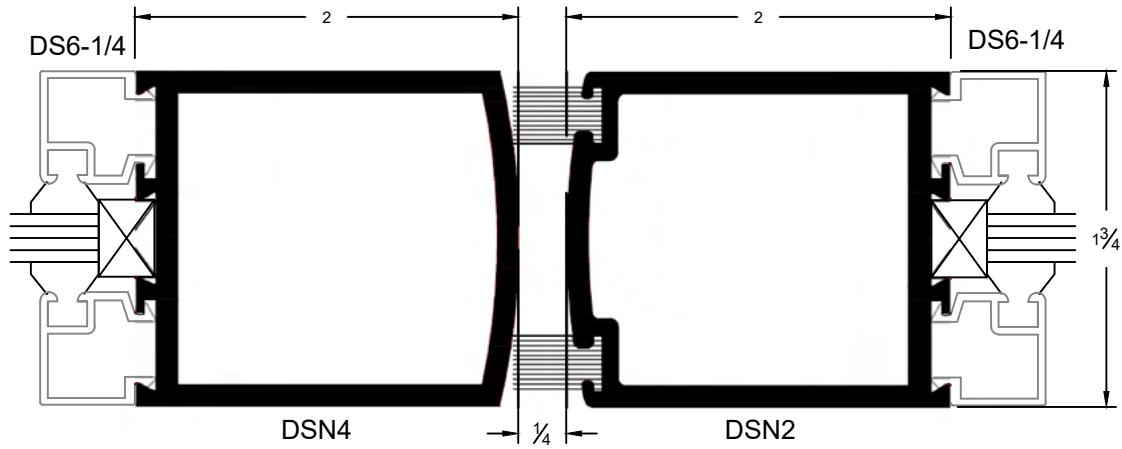
1" Glass Stop & Stile



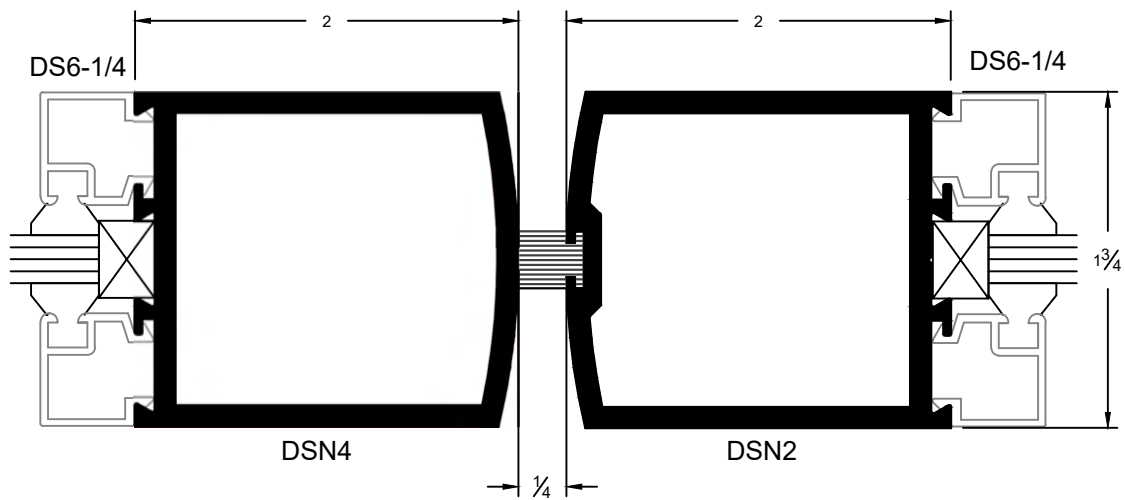
Center Hung, Single Door



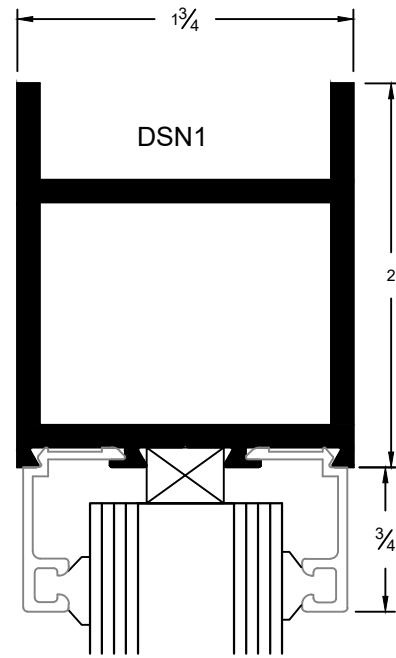
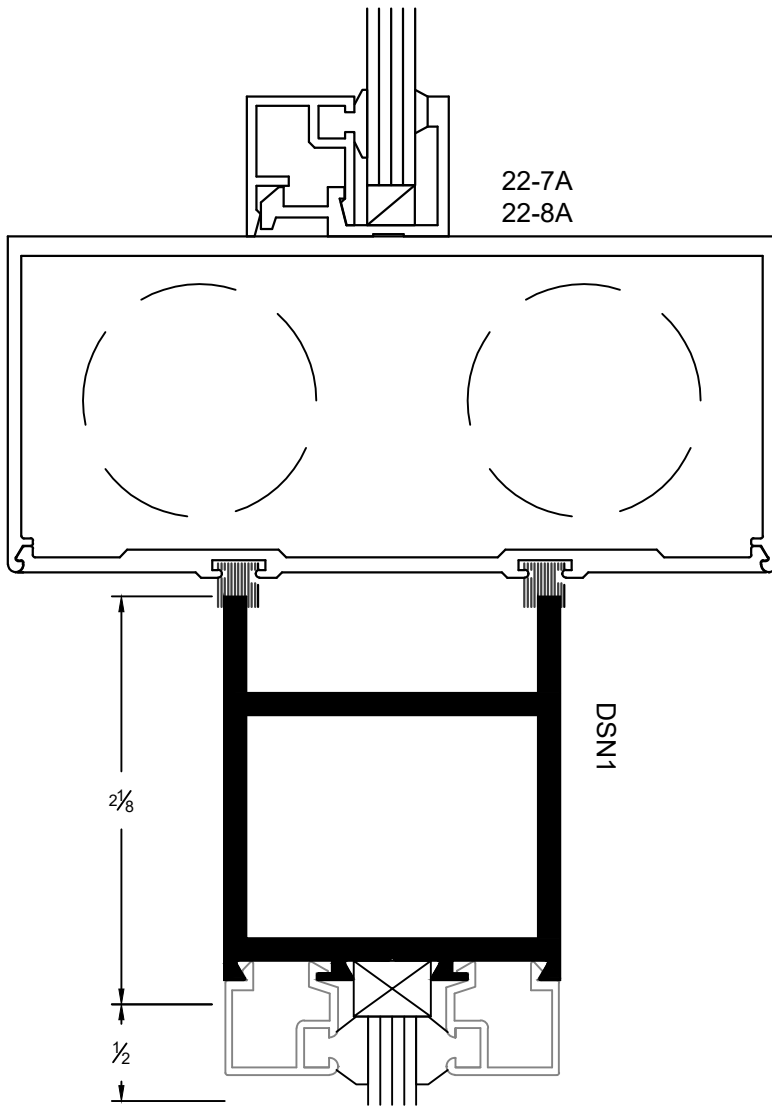
Offset Hung, Single Door



Meeting For Center / Offset Door
 (Double Mohair)

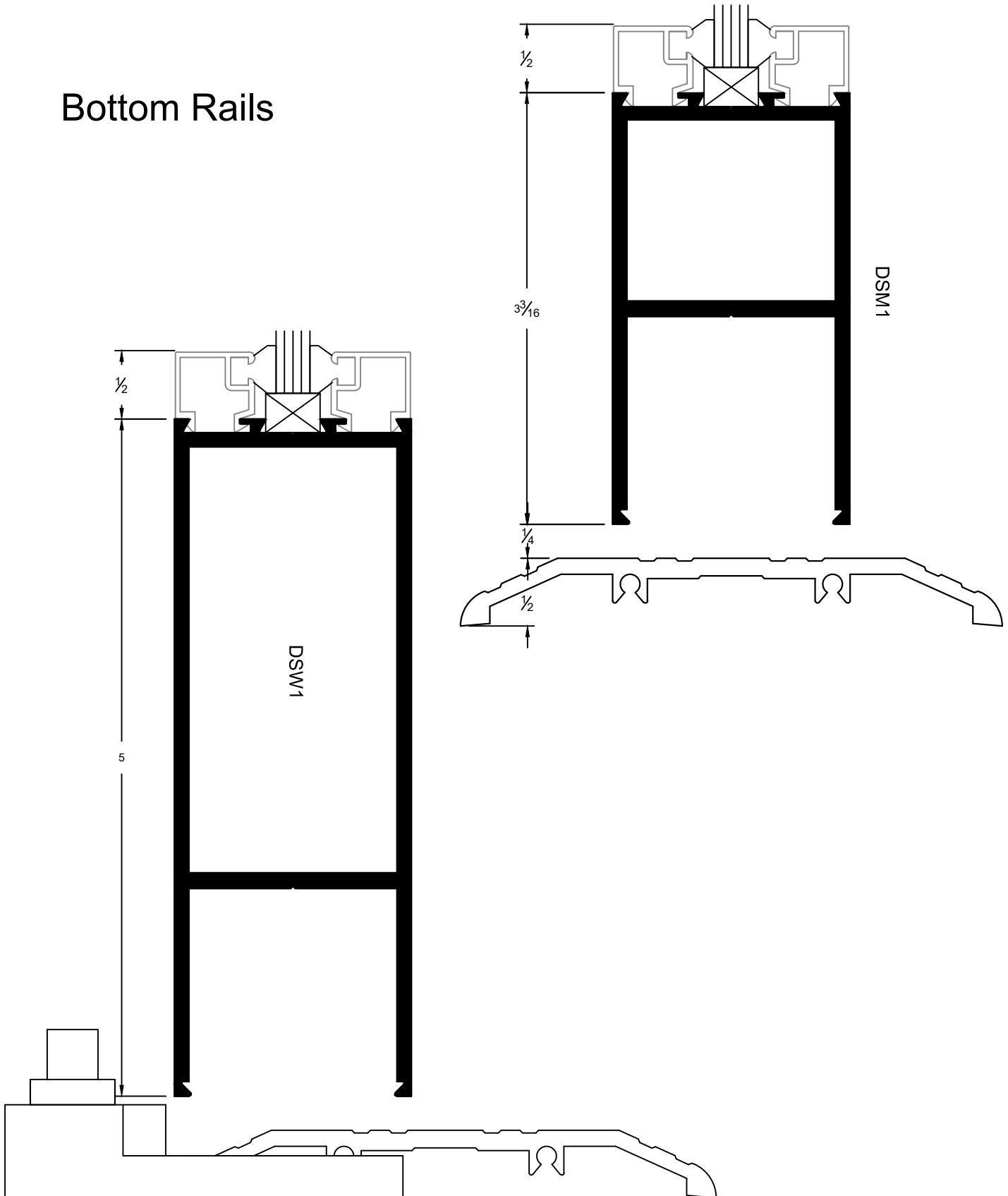


Meeting For Center / Offset Door
 (Single Mohair)

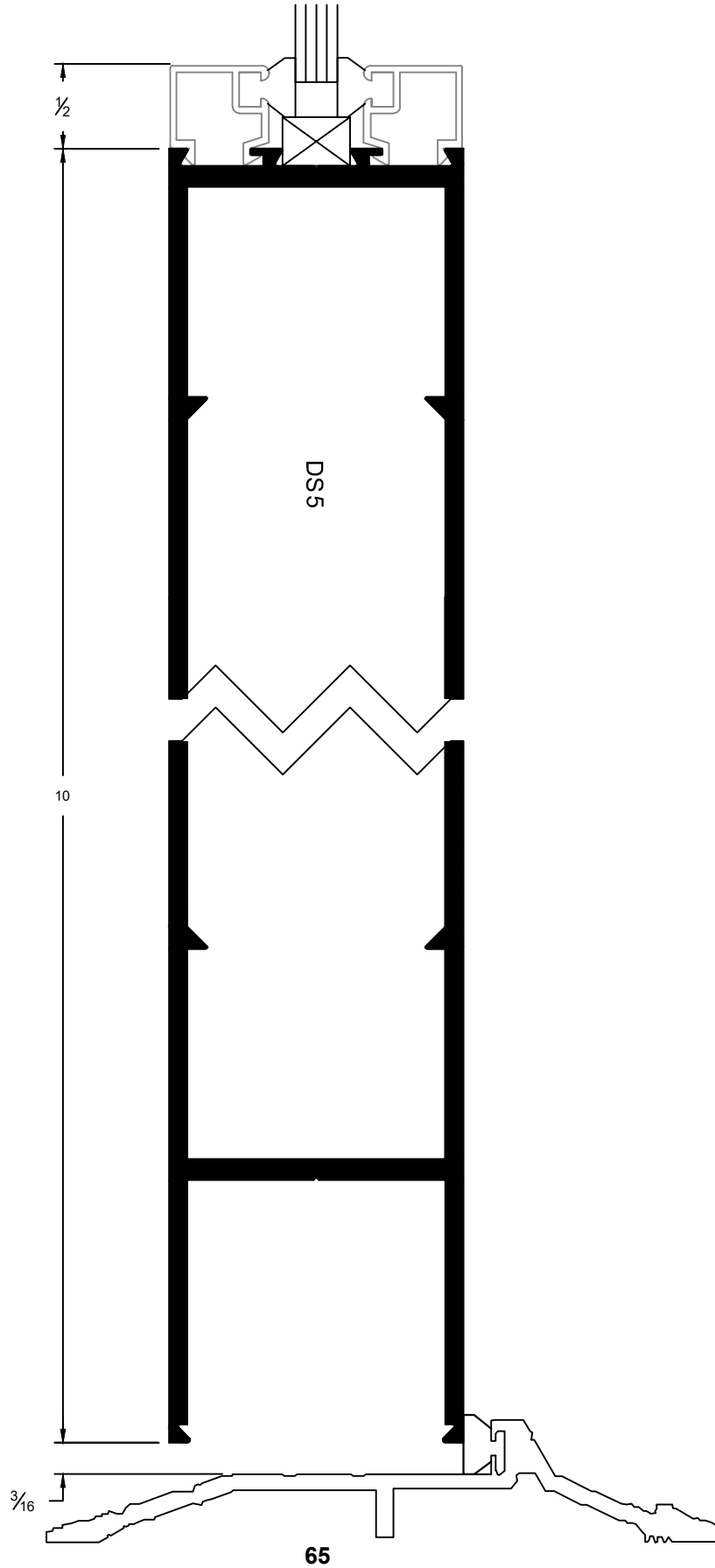


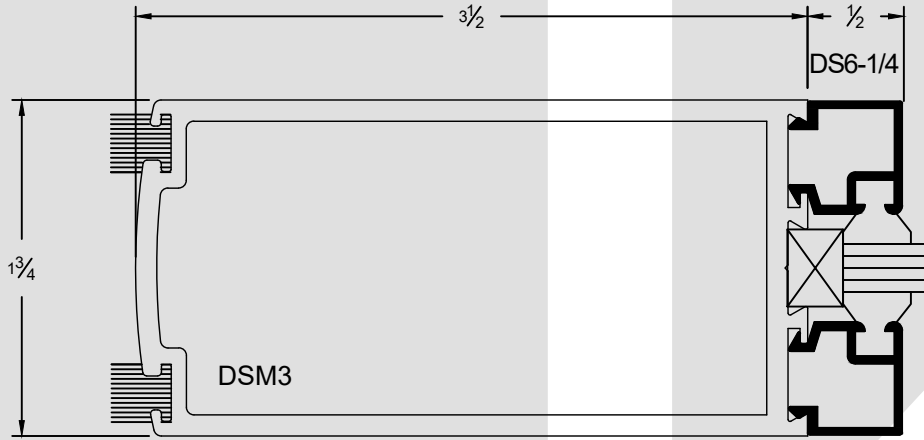
Top Rail

Bottom Rails

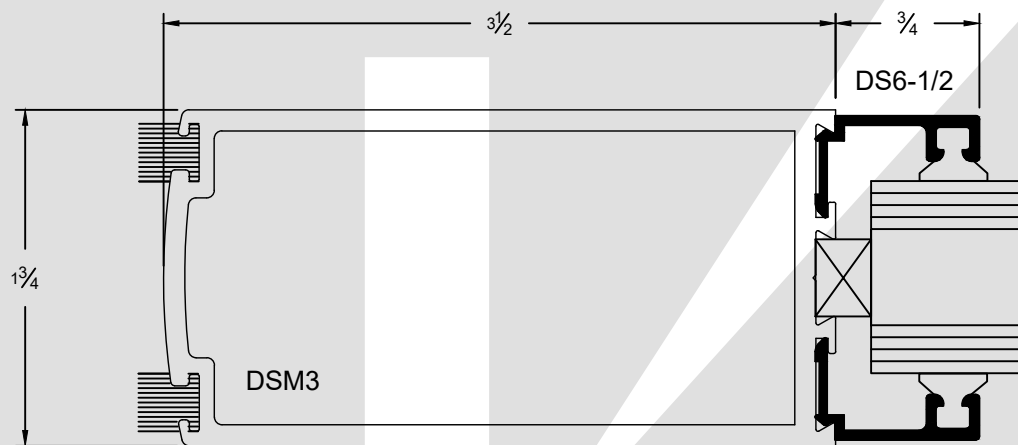


HS HARDWARE SOLUTIONS **NARROW STILES**
ENTRANCE DOOR

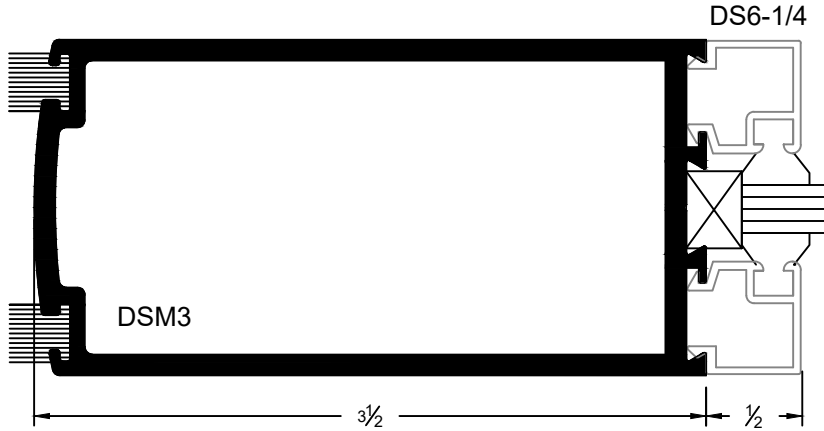




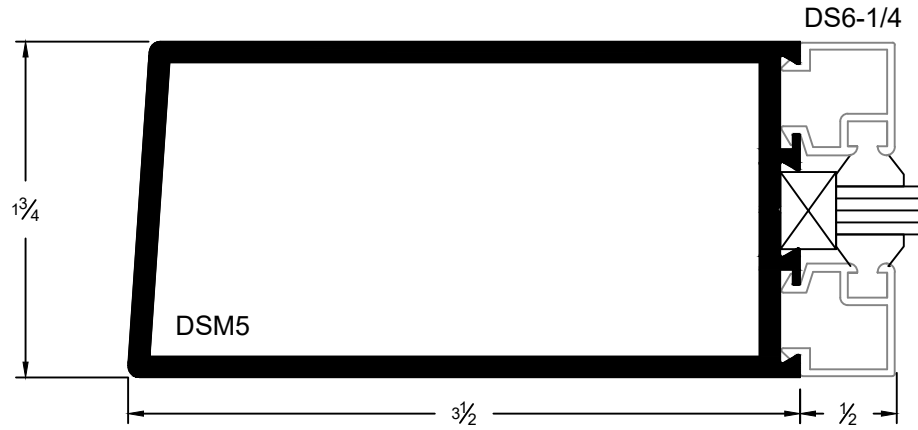
$\frac{1}{4}$ " Glass Stop & Stile



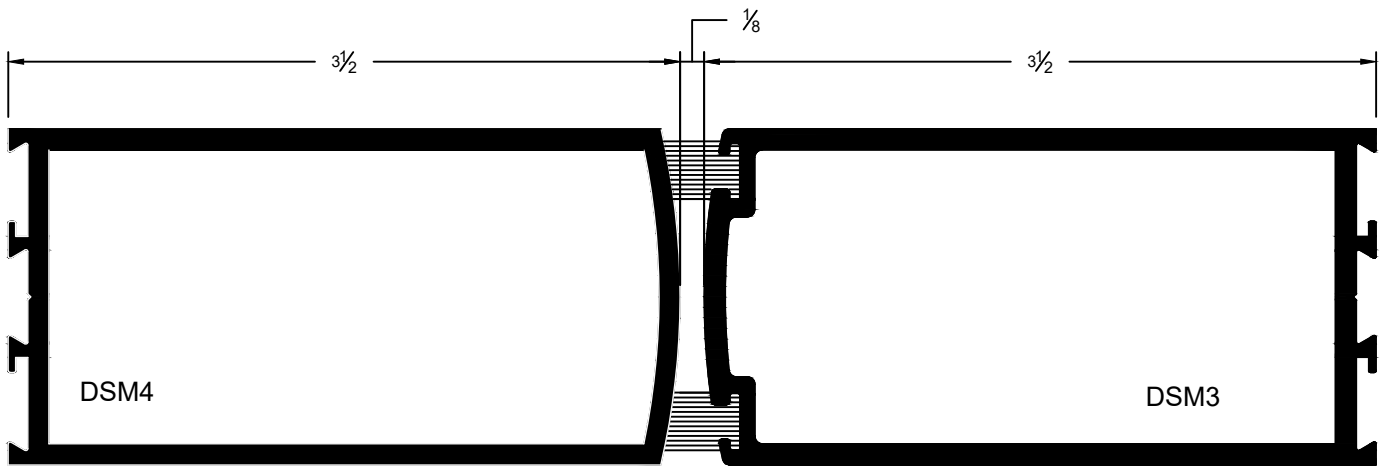
1" Glass Stop & Stile



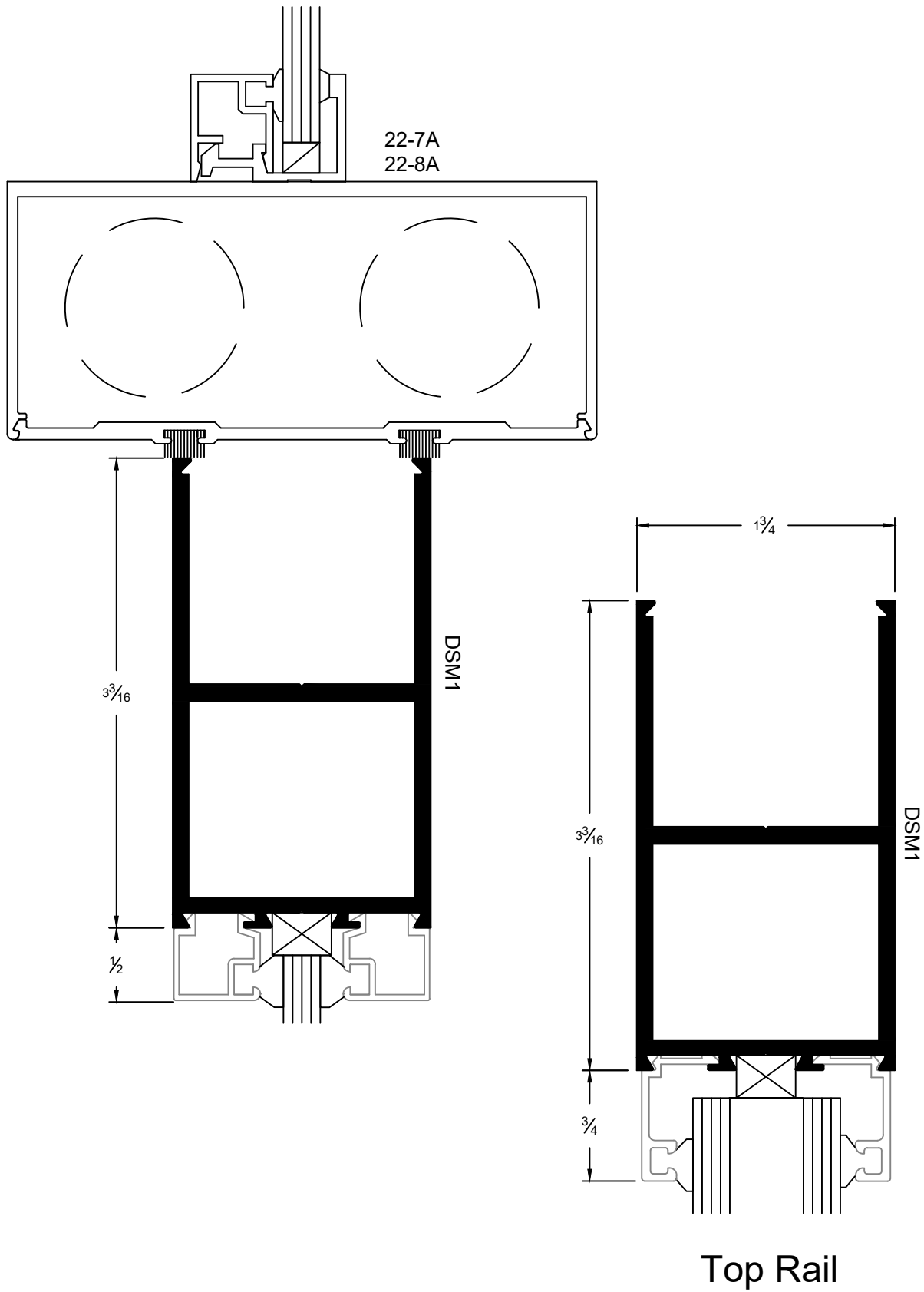
Center Hung, Single Door

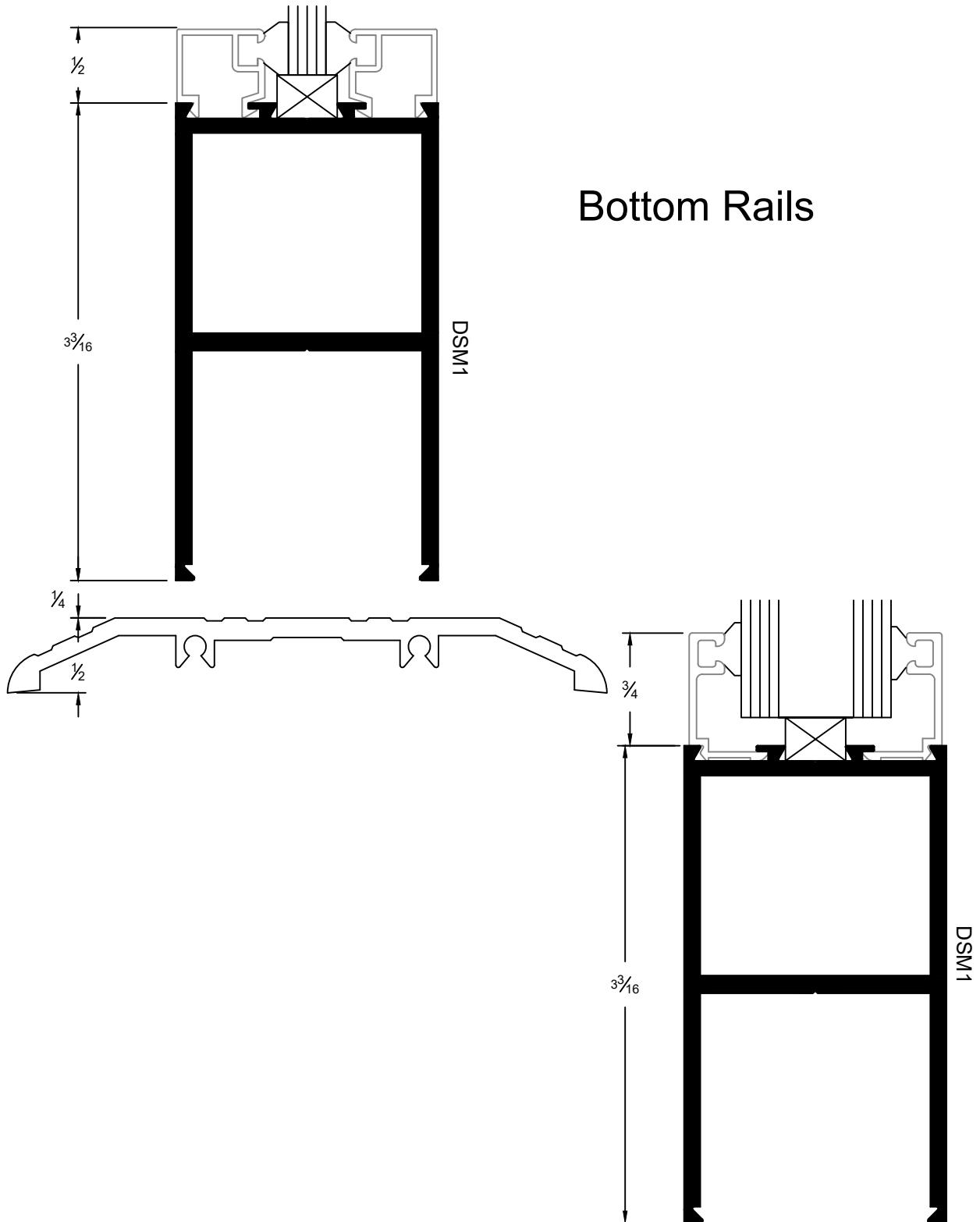


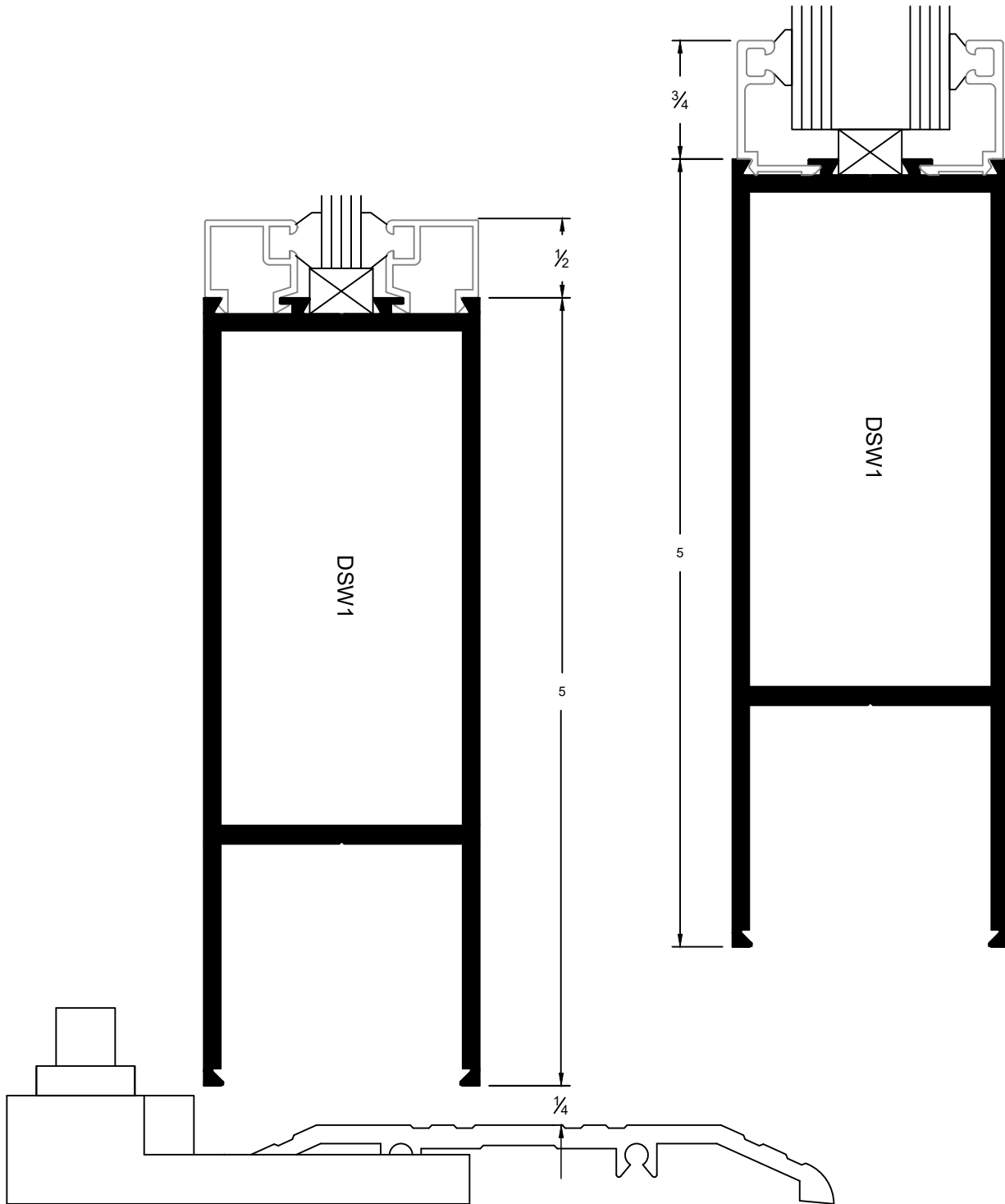
Offset Hung, Single Door

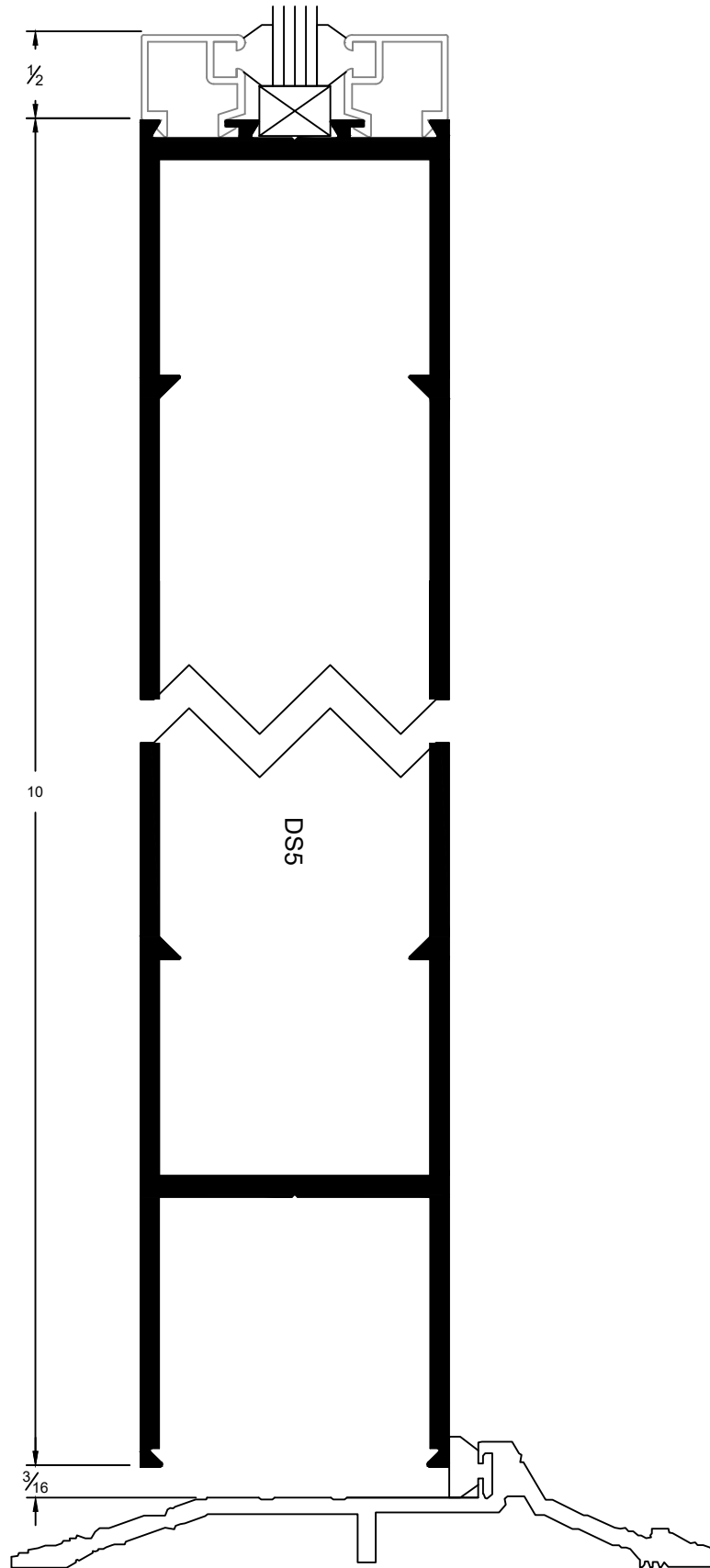


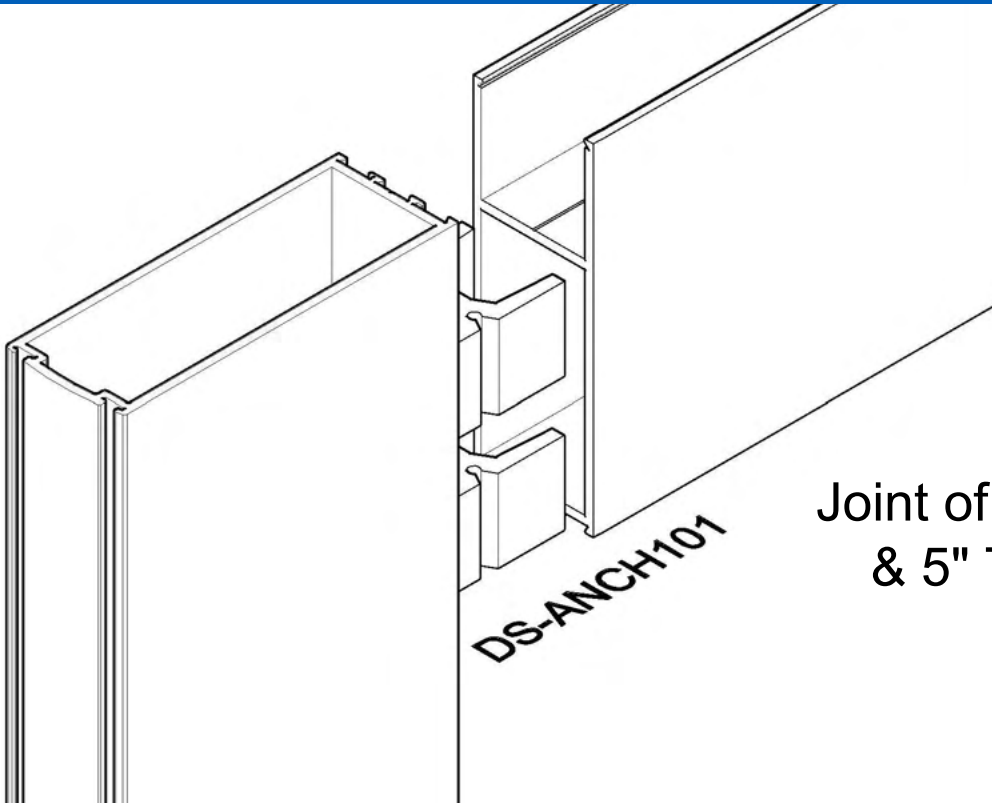
Meeting For Center / Offset Double Door







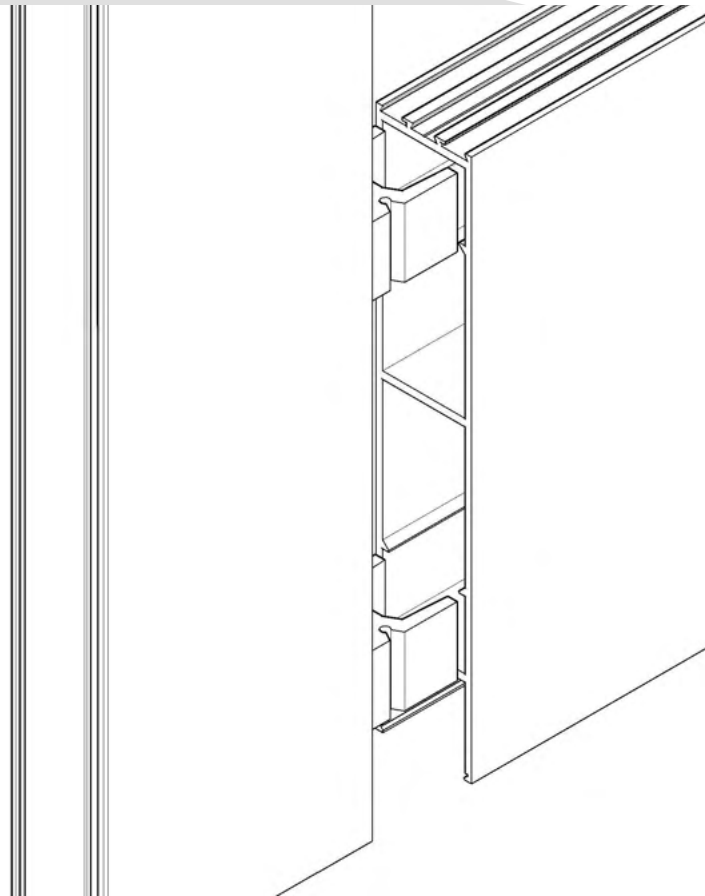




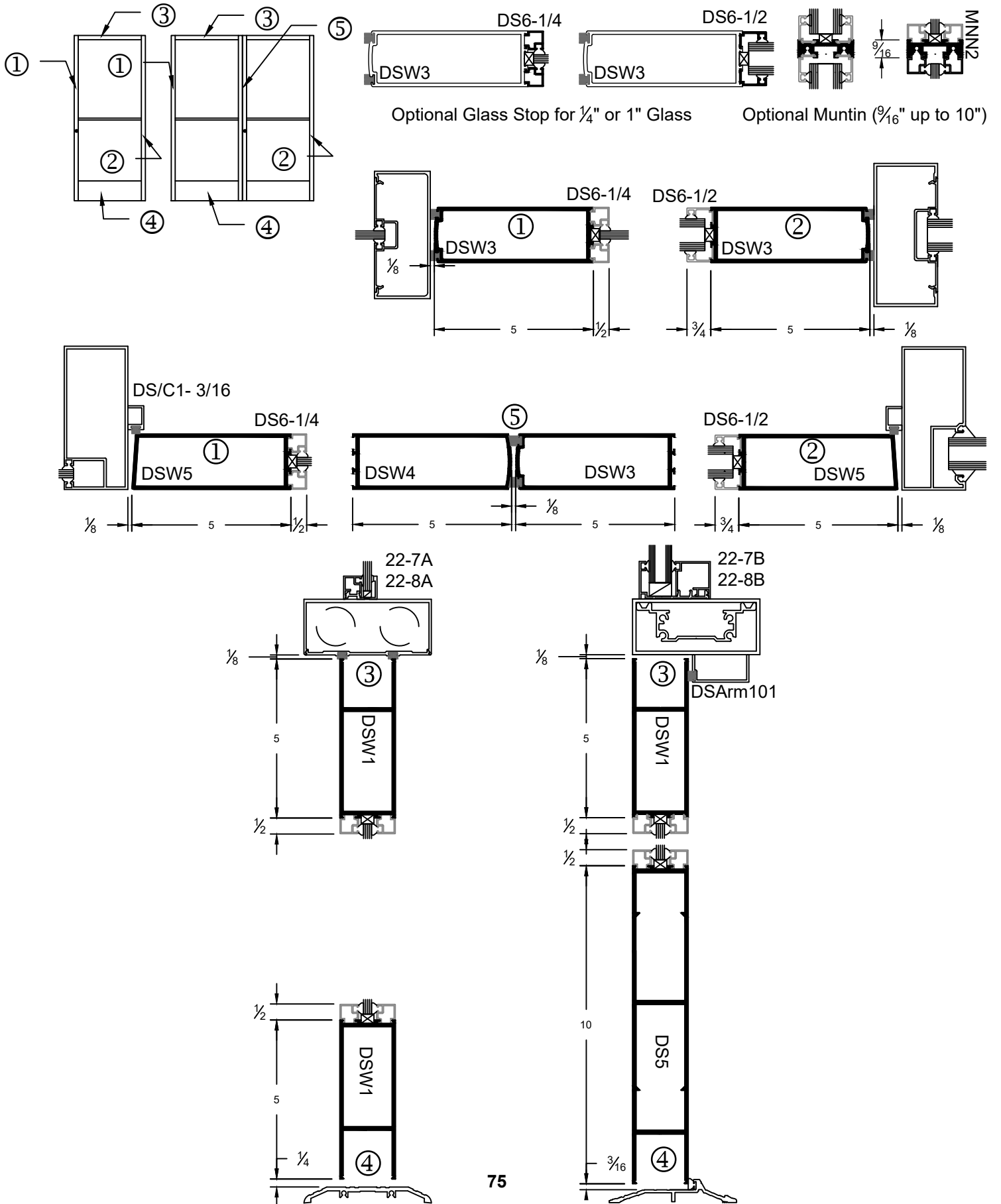
Joint of Door Stile
& 5" Top Rail

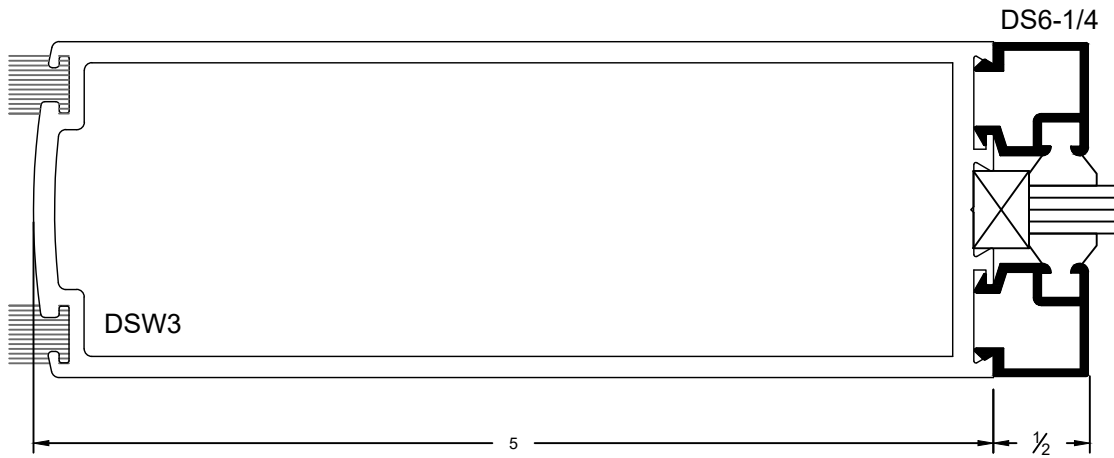
DS-ANCH101

Joint of Door Stile
& 10" Bottom Rail

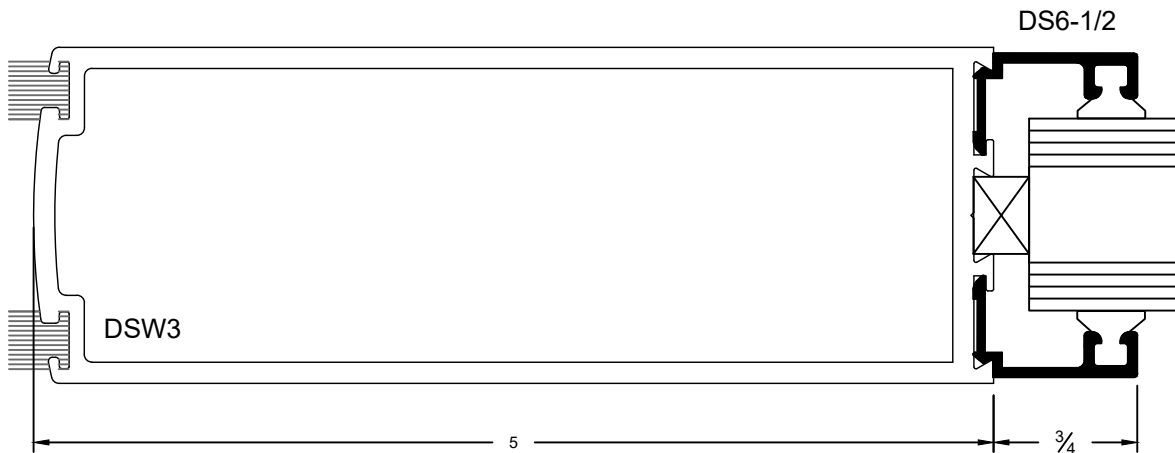


HS HARDWARE SOLUTIONS WIDE STILES ENTRANCE DOOR

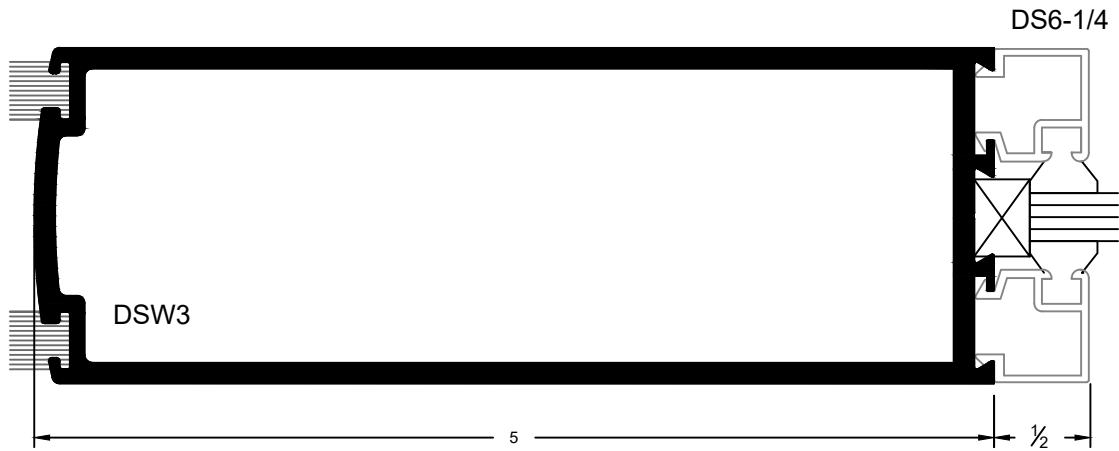




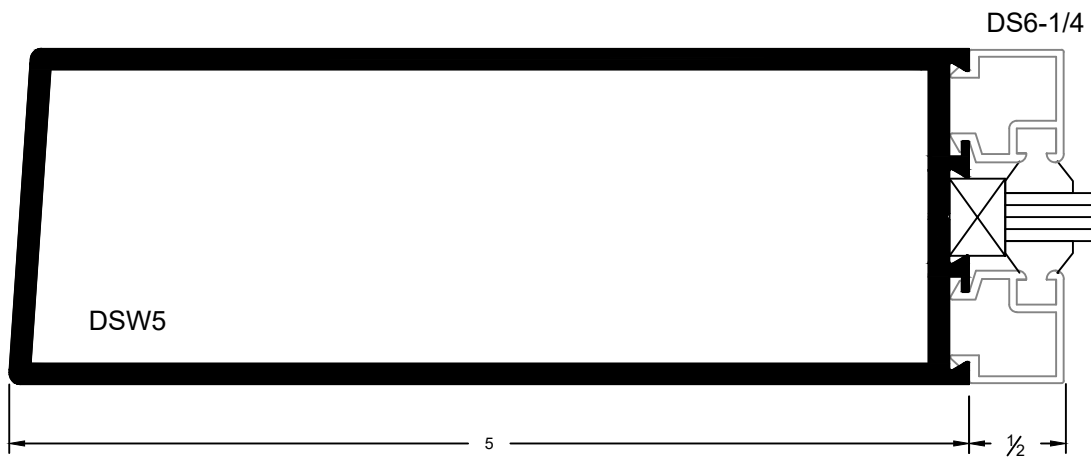
1/4" Glass Stop & Stile



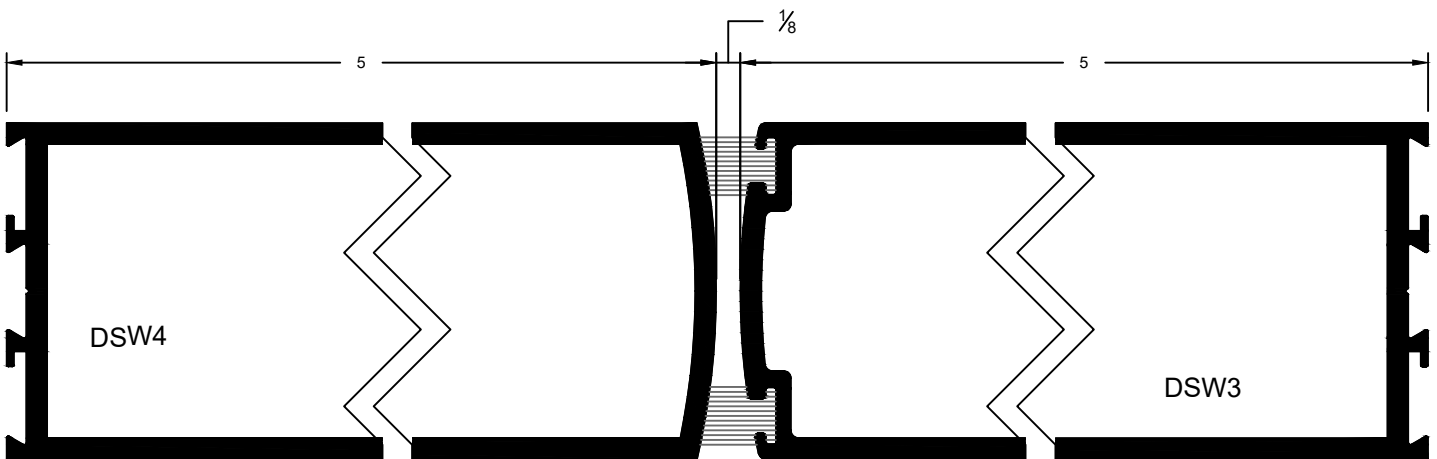
1" Glass Stop & Stile



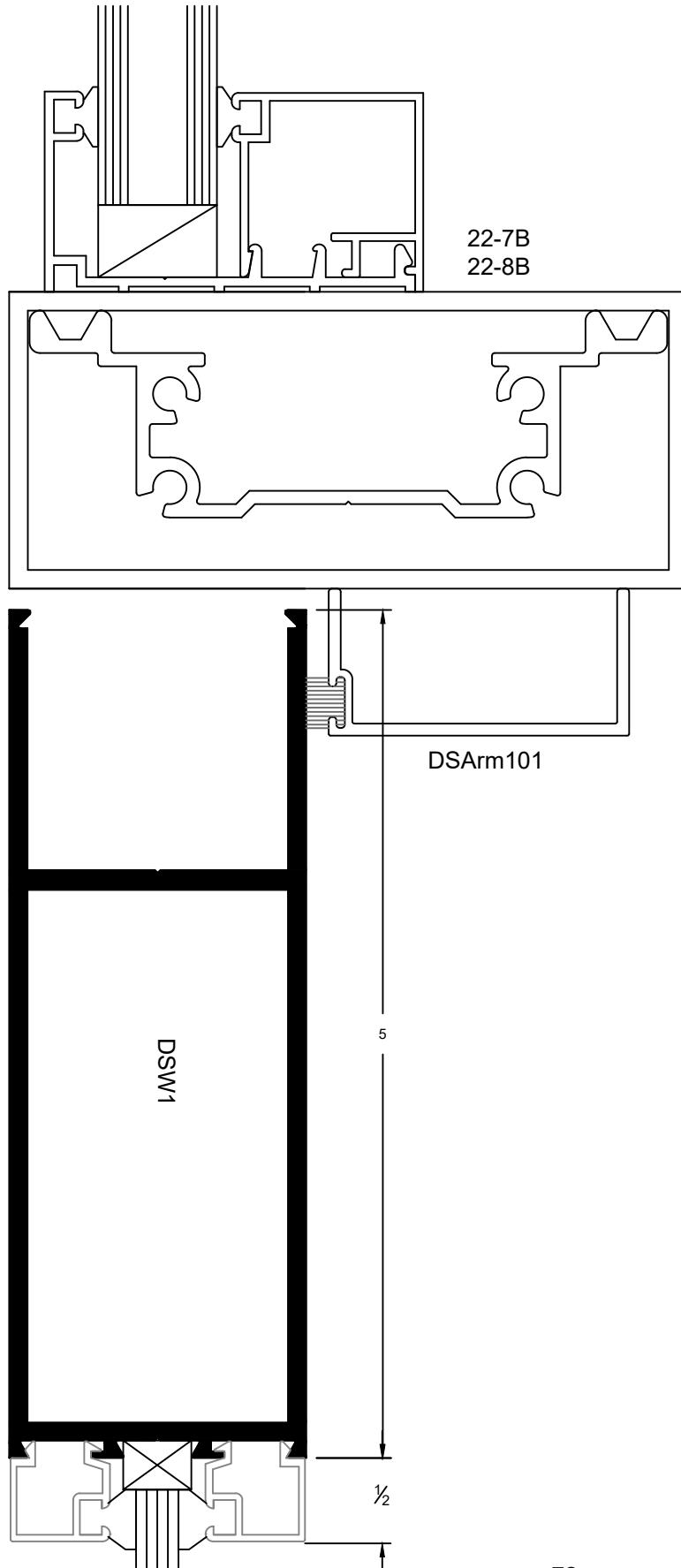
Center Hung, Single Door



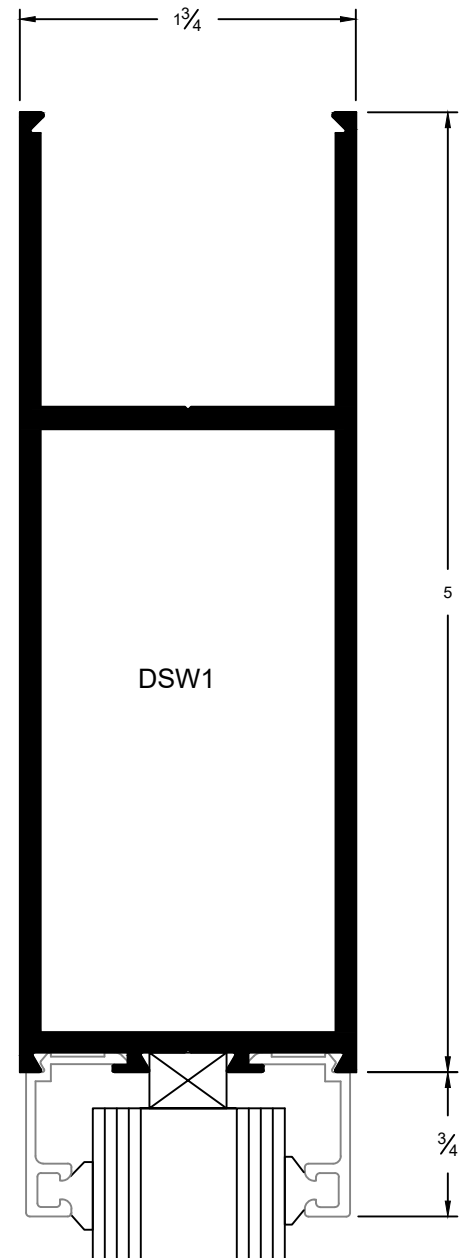
Offset Hung, Single Door



Meeting For Center / Offset Double Door



Top Rail



Bottom Rail

