

3750 Folding Door System



For the Name and Products You Can Trust!

3750 Folding Door System



■ Features and Benefits

- Vinyl Frame with aluminum reinforcement
- Foam backed seal on main frame
- Contemporary style vinyl sash with internal aluminum reinforcement
- Welded sash corners
- Dual interlocking weather seal on sash for superior air and thermal performance
- Centor Architecture™ E3 hardware system
- Stainless multipoint locking hardware

■ Sizes

- New Construction / Replacement
- Custom applications

■ Glass Options

- Cardinal™ LoE 366® Dual Glazed tempered glass
- Warm-edge spacer system
- Clear, obscure, and custom glass is available

■ Grids

- SDL (Simulated Divided Lite)
- Flat (Colonial)
- Sculptured (Continental)

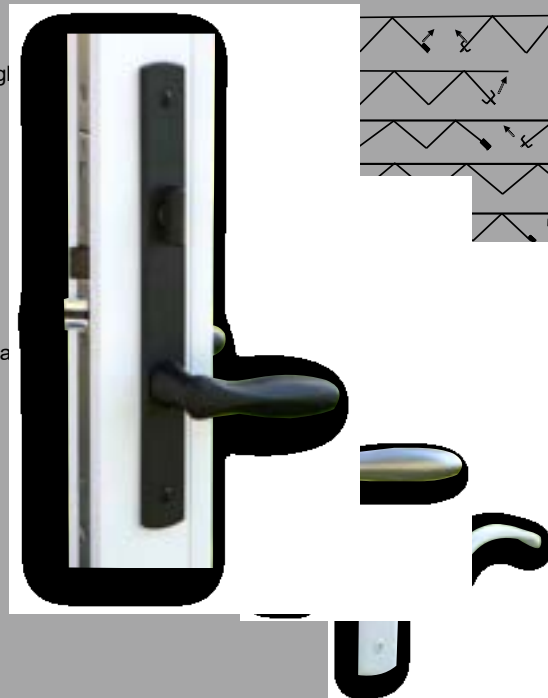
■ Hardware

- Hardware Colors; White, Black powder coat, and Brushed Chrome

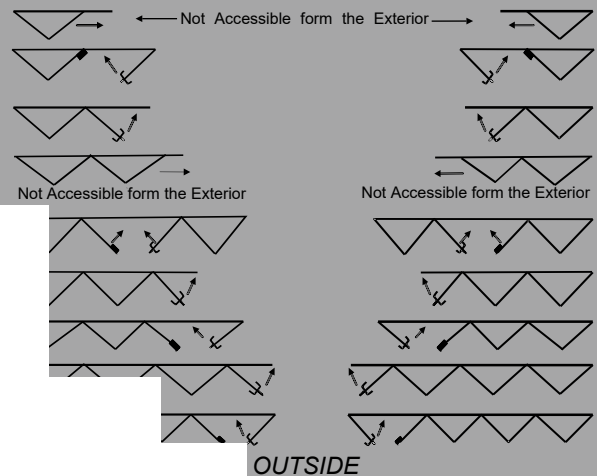
■ Extruded Vinyl Colors



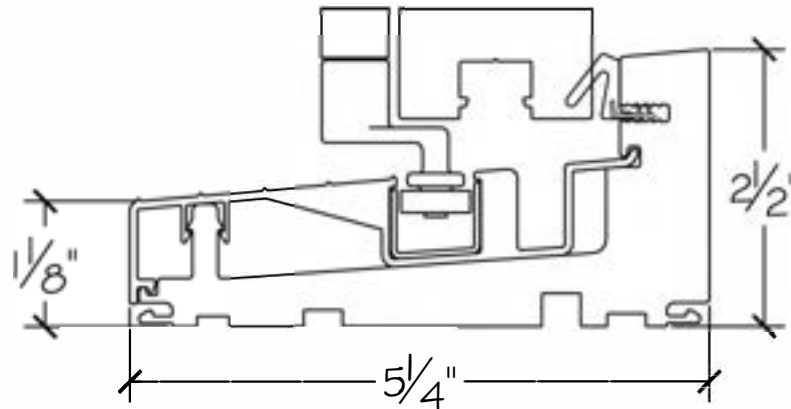
■ Optional Stocked Colors



Examples of Folding Door Configurations



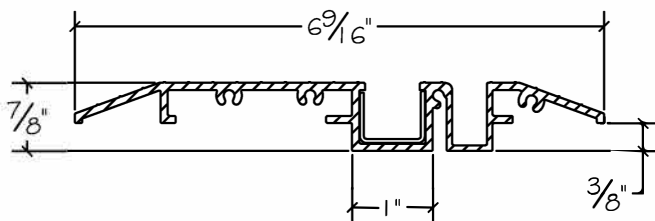
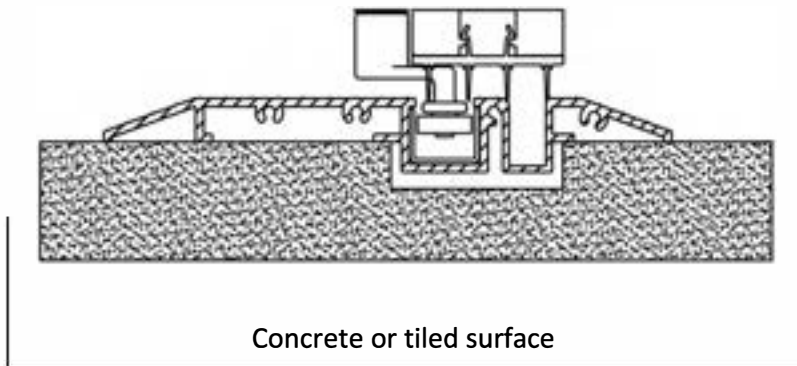
WinDor's 3750 Folding Door comes standard with our weather resistant sill. Our product using this sill has received a performance rating of Light Commercial 30 using the AAMA-101 standard.



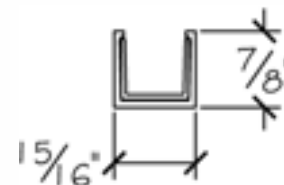
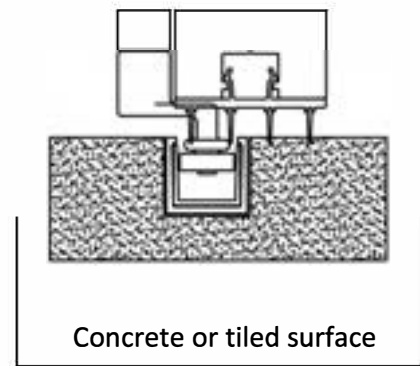
ADA and Flush Sill options

We also have two sill alternatives. The extruded ADA Sill will satisfy most requirements when used in a commercial applications. Our Flush Sill is for the custom install where esthetics are of the utmost importance. Windor's performance rating and test results do not apply for the ADA and flush sill.

ADA Sill



Flush Sill



Please note. While the ADA and Flush Sills are very attractive options, it is not intended for all applications. Low or flush sills are not able to withstand air and water intrusion like the weather resistant sills. Your projects exposure, elevation and overhang will determined how this sill performs. It is also important that you include a mop zone adjacent to these doors, when choosing this options.



Door Configurations; 5.0.5 and 5.5.0



Door Configurations; 5.5.0 and 5.0.5



Door Configuration; 5.5.0



Door Configuration; 5.5.0



Door Configuration; 5.5.0



Door Configuration; 5.5.0



Corner Door Configurations; 3.3.0 and 5.0.5



Corner Door Configurations; 3.3.0 and 5.0.5



Door Configuration;5.5.0



Door Configuration; 5.5.0



Door Configuration; 5.5.0



Door Configuration: 5.5.0



Door Configuration; 3.1P.2



Door Configuration;5.3P.2



Door Configuration; 5.5.0



Door Configuration; 5.5.0 Window Configuration;4.0.4



Door Configuration; 6.3.3P



Door Configuration; 6.3.3P



Door Configuration; 5.0.5



Door Configuration; 5.0.5



Door Configuration; 5.5.0



Door Configuration; 5.5.0



Door Configuration; 5.5.0



Door Configuration; 5.5.0



Door Configuration; 6.3.3P

Door Configuration; 3.0.3



Door Configuration; 3.0.3

Door Configuration 6.3.3P




Window Configuration; 4.2.2



Window Configuration; 4.2.2



Window Configuration; 4.2.2

A large window with a white frame and black hardware is open, revealing a kitchen interior. In the foreground, three dark wood bar stools with light-colored cushions are positioned at a white bar counter. The kitchen in the background features white cabinetry, a marble countertop, and two square pendant lights hanging over the island. A doorway is visible in the background, leading to another room.

Window Configuration; 4.4.0



Window Configuration; 3.3.0



Window Configuration; 3.3.0



Window Configuration;4.4.0

3750 Maximum Frame Parameters 240"

Panel Min. Width 17" Max. Width 48" Min. Height 30" Max. Height 115.5" (Max. Sq. Ft. 27.75)

Panel Min. Width 16" Max. Width 36" Min. Height 30" Max. Height 73.5" (Max. Sq. Ft.

Maximum door weight - 175 lbs (80 kg.) each panel

Maximum number of panels on one side - 8

Note: It is necessary to have an **(odd number of panels)**

for a single Man Door (See Drawing to the right)

*The Maximum length of Header and Sill Extrusions are 20'

■ Features and Benefits

- Vinyl frame and sash with aluminum reinforcement
- Contemporary style sash
- Dual interlocking weather seal on sash for superior air and thermal performance
- Centor Architectural™ E3 hardware system
- Stainless multipoint locking hardware

■ Sizes

- New Construction / Replacement
- Custom applications

■ Glass Options

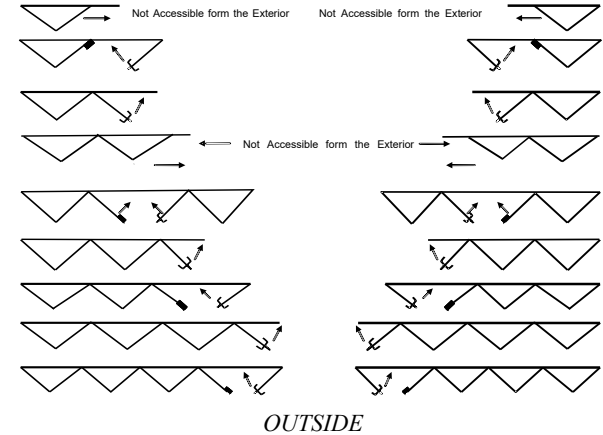
- 7/8" dual glazed insulated glass
- Warm edge spacer system
- Cardinal™ 366 tempered glass is standard
- Clear, obscure, and custom glass is available

■ Grids

- SDL (Simulated Divided Lite)
- Flat
- Sculptured

3750 Series Folding Door 2750 Series Folding Window

Examples of Folding Door Configurations



■ Extruded Vinyl Colors



■ Optional Exterior Coated Stocked



■ Optional Coating

- 3750 Black Interior and Exterior Specialty Laminate
- 3750 Black Exterior Specialty Laminate with White Extruded Interior

