



## SLIDING BARN DOOR HARDWARE



# PREMIUM SLIDING BARN DOOR HARDWARE

SET DESIGN - WOOD TYPE 1 (AVAILABLE WITH OPTIONAL SOFT CLOSE)



**Brushed Stainless Steel**  
(Shown With Optional  
Soft Close Mechanism)

PREMSLIDE WD T1 06 SS shown with Encore 6540 door by Millennium

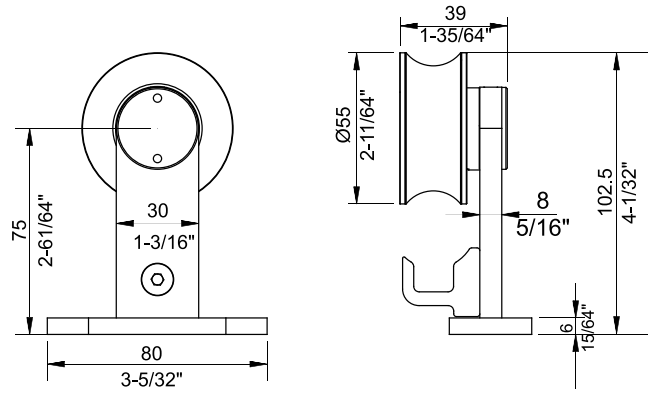


**Dark Bronze**

PREMSLIDE WD T1 08 DB shown with Encore 6540 door by Millennium

**FEATURES:**

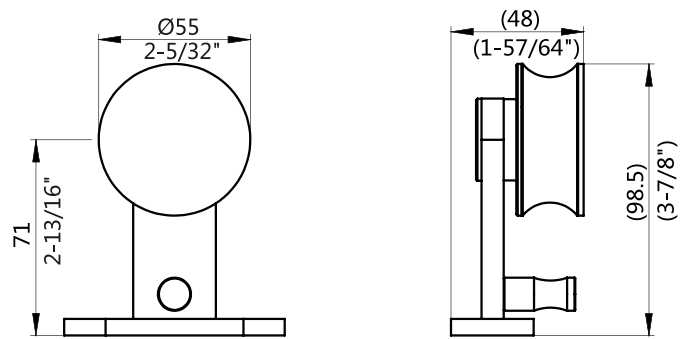
- Designed for Wood Doors 1-3/4" & 1-3/8" thick  
Top Mounted Hardware  
**Door weight up to 176 pounds per door**
- Materials:  
304 Stainless Steel Track  
304 Stainless Steel Hangers with Nylon Coated Rollers
- Product Standards:  
Product designed and tested to follow ANSI Grade 1 Standards
- Finishes Available:  
Brushed Stainless Steel  
Dark Bronze
- Soft Close is available on the Stainless Steel version



**WD T1SC (WITH SOFT CLOSE) HANGER**

**Kits Include:**

- 1 ea. Track with Wall Brackets
  - 2 ea. Hangers (WD T1 CARRIER SS/DB)
  - 2 ea. Track Stops (PREMSTOP03 SS/DB)
  - 1 ea. Door Bottom Guide (PREMFLGUIDE03 SS/BLK)
  - 1 ea. Wall Mount Channel Door Guide (PREMFLGUIDE12 BLK/GRY)
  - 1 ea. Installation Instructions
- \* parts in parenthesis available for purchase if additional are needed



**WD T1 HANGER**

**TEN YEAR LIMITED WARRANTY**

**TWO YEAR WARRANTY ON SOFT CLOSE MECHANISM**

Door Type	Set Type	Size	Finish	Track Length	Door Width
WD	T1	06	SS	78-3/4"	36"
WD	T1	08	SS	98-7/16"	48"
WD	T1	06	DB	78-3/4"	36"
WD	T1	08	DB	98-7/16"	48"
WD	T1SC	06	SS	78-3/4"	36"
WD	T1SC	08	SS	98-7/16"	48"

**STOCKED PRODUCT**

Item	Finish
PREMSLIDEWDT106	Brushed Stainless Steel
PREMSLIDEWDT106	Dark Bronze
PREMSLIDEWDT108	Brushed Stainless Steel
PREMSLIDEWDT108	Dark Bronze
PREMSLIDEWDT1SC06	Brushed Stainless Steel
PREMSLIDEWDT1SC08	Brushed Stainless Steel
WDT1CARRIER SS	Brushed Stainless Steel
WDT1CARRIER DB	Dark Bronze
PREMFLGUIDE03 BLK	Black
PREMFLGUIDE03 SS	Brushed Stainless Steel
PREMFLGUIDE12 BLK	Black
PREMFLGUIDE12 GRY	Gray
PREMSTOP03 SS	Brushed Stainless Steel
PREMSTOP03 DB	Dark Bronze

## PREMIUM SLIDING BARN DOOR HARDWARE SET DESIGN - WOOD TYPE 2



Brushed Stainless Steel

PREMSLIDE WD T2 06 SS shown with Encore 6540 door by Millennium

## SET DESIGN - WOOD TYPE 4



Brushed Stainless Steel

PREMSLIDE WD T4 08 SS shown with Encore 6540 door by Millennium

**FEATURES:**

- Designed for Wood Doors 1-3/4" & 1-3/8" thick  
Top mounted hardware  
**WD T2 Door weight up to 242 pounds per door**  
**WD T4 Door weight up to 176 pounds per door**
- Materials:  
304 Stainless Steel Track  
304 Stainless Steel Hangers with Nylon Coated Rollers
- Product Standards:  
Product designed and tested to follow ANSI Grade 1 Standards
- Finishes Available:  
Brushed Stainless Steel

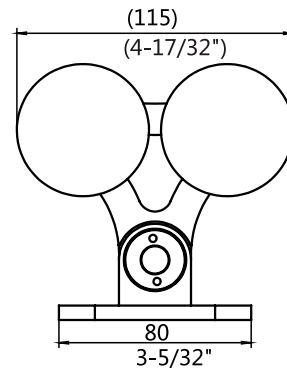
**WD T2 Kits Include:**

- 1 ea. Stainless Steel Track with Stainless Steel Wall Brackets
- 2 ea. Stainless Steel Hangers
- 2 ea. Stainless Steel Track Stops (PREMSTOP07 SS)
- 1 ea. Stainless Steel Door Bottom Guide (PREMFLGUIDE03 SS)
- 1 ea. Wall Mount Channel Door Guide (PREMFLGUIDE12 BLK)
- 1 ea. Installation Instructions

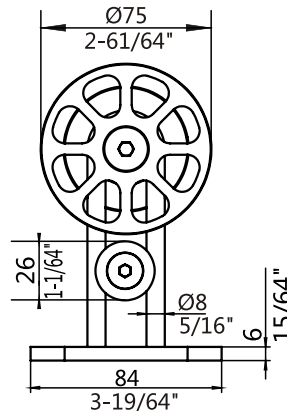
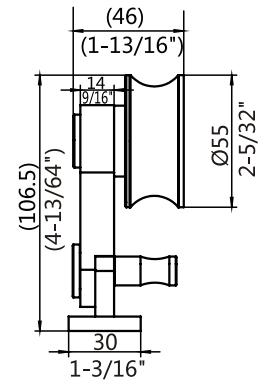
**WD T4 Kits Include:**

- 1 ea. Stainless Steel Track with Stainless Steel Wall Brackets
- 2 ea. Stainless Steel Hangers
- 2 ea. Stainless Steel Track Stops (PREMSTOP24 SS)
- 1 ea. Stainless Steel Door Bottom Guide (PREMFLGUIDE03 SS)
- 1 ea. Wall Mount Channel Door Guide (PREMFLGUIDE12 BLK)
- 1 ea. Installation Instructions

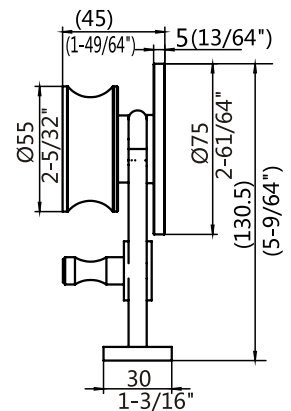
\* parts in parenthesis available for purchase if additional are needed



**WD T2 HANGER**



**WD T4 HANGER**



**TEN YEAR LIMITED WARRANTY**

Door Type	Set Type	Size	Finish	Track Length	Door Width
WD	T2	06	SS	78-3/4"	36"
WD	T2	08	SS	98-7/16"	48"
WD	T4	06	SS	78-3/4"	36"
WD	T4	08	SS	98-7/16"	48"

**STOCKED PRODUCT**

Item	Finish
PREMSLIDWDT206	Brushed Stainless Steel
PREMSLIDWDT208	Brushed Stainless Steel
PREMSLIDWDT406	Brushed Stainless Steel
PREMSLIDWDT408	Brushed Stainless Steel
PREMFLGUIDE03 BLK	Black
PREMFLGUIDE03 SS	Brushed Stainless Steel
PREMFLGUIDE12 BLK	Black
PREMFLGUIDE12 GRY	Gray
PREMSTOP07 SS	Brushed Stainless Steel
PREMSTOP24 SS	Brushed Stainless Steel

# PREMIUM SLIDING BARN DOOR HARDWARE SET DESIGN - WOOD TYPE 5



Brushed Stainless Steel

PREMSLIDE WD T5 08 SS shown with Encore 6540 door by Millennium



Dark Bronze

PREMSLIDE WD T5 06 DB shown with Encore 6540 door by Millennium



**FEATURES:**

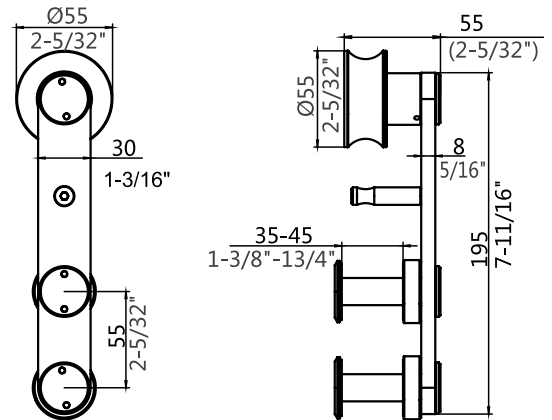
- Designed for Wood Doors 1-3/4" & 1-3/8" thick  
Top Mounted Hardware  
**Door weight up to 198 pounds per door**
- Materials:  
304 Stainless Steel Track  
304 Stainless Steel Hangers with Nylon Coated Rollers
- Product Standards:  
Product designed and tested to follow ANSI Grade 1 Standards
- Finishes Available:  
Brushed Stainless Steel  
Dark Bronze

**Kits Include:**

- 1 ea. Stainless Steel Track with Stainless Steel Wall Brackets
- 2 ea. Stainless Steel Hangers (WDT5CARRIER SS/DB)
- 2 ea. Stainless Steel Track Stops (PREMSTOP03 SS/DB)
- 1 ea. Stainless Steel Door Bottom Guide (PREMFLGUIDE03 SS/BLK)
- 1 ea. Wall Mount Channel Door Guide (PREMFLGUIDE12 BLK/GRY)
- 1 ea. Installation Instructions

\* parts in parenthesis available for purchase if additional are needed

**TEN YEAR LIMITED WARRANTY**



**WD T5 HANGER**

Door Type	Set Type	Size	Finish	Track Length	Door Width
WD	T5	06	SS	78-3/4"	36"
WD	T5	08	SS	98-7/16"	48"
WD	T5	06	DB	78-3/4"	36"
WD	T5	08	DB	98-7/16"	48"

**STOCKED PRODUCT**

Item	Finish
PREMSLIDEWDT506	Brushed Stainless Steel
PREMSLIDEWDT506	Dark Bronze
PREMSLIDEWDT508	Brushed Stainless Steel
PREMSLIDEWDT508	Dark Bronze
WDT5CARRIER SS	Brushed Stainless Steel
WDT5CARRIER DB	Dark Bronze
PREMSTOP03 SS	Brushed Stainless Steel
PREMSTOP03 DB	Dark Bronze
PREMFLGUIDE03 SS	Brushed Stainless Steel
PREMFLGUIDE03 BLK	Black
PREMFLGUIDE12 GRY	Gray
PREMFLGUIDE12 BLK	Black

# AMERICAN RUSTIC SLIDING BARN DOOR HARDWARE

## MINI-INDUSTRIAL



Flat Black

Mini Industrial shown with Ovation 7648 by Millennium Doors



Satin Nickel

Mini Industrial shown with Encore 6540 door by Millennium

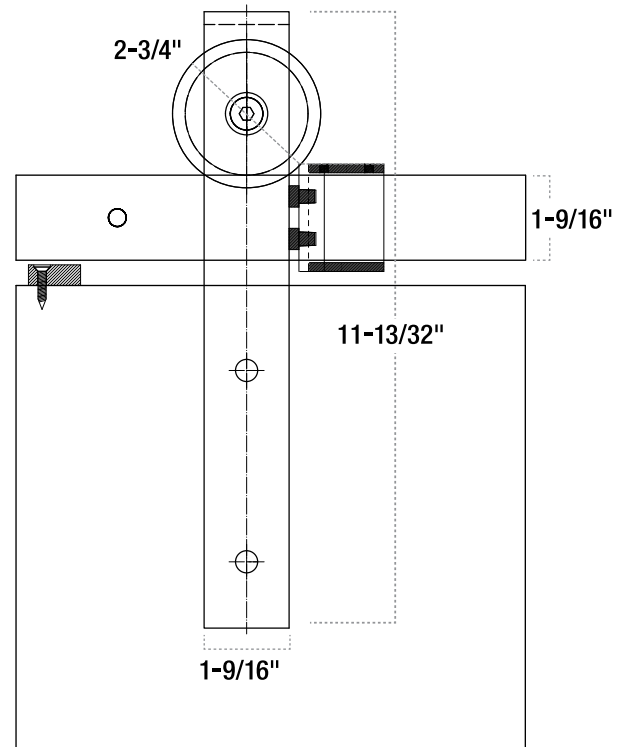


## FEATURES:

- Kit Designed for use with 1-3/4" & 1-3/8" thick wood doors  
**Door weight up to 286 pounds per door**
- Color/Finish: Flat Black or Satin Nickel
- Wheel Type: Nylon
- Track & Hardware Kit is for 1 door
- Hangers mount to the face of the door
- Product Standards:  
Product designed and tested to follow ANSI Grade 1 Standards

## Kits Include:

- 1 ea. Track pre-drilled for Mounting Hardware
- 2 ea. Hangers (MININDCARRIER BLK/SN)
- 2 ea. Stops (MSTOPPER BLK/SN)
- 2 ea. Anti-Jump Discs (MANTIJUMPDISC BLK/GRY)
- 1 ea. Floor Mounted Internal Guide (PREMFLGUIDE02 BLK/GRY)
- 1 ea. Wall Mount Channel Door Guide (PREMFLGUIDE12 BLK/GRY)
- 1 ea. Coupler (MINKITCOUPLER BLK/SN)
- Installation Instructions



MINI-INDUSTRIAL HANGER

**TWO YEAR LIMITED WARRANTY**

**ONE YEAR LIMITED WARRANTY ON FINISH**

36" Doors – Use 80" Track Kit

48" Doors – Use 104" Track Kit

Pair Doors – Use two kits along with track coupler

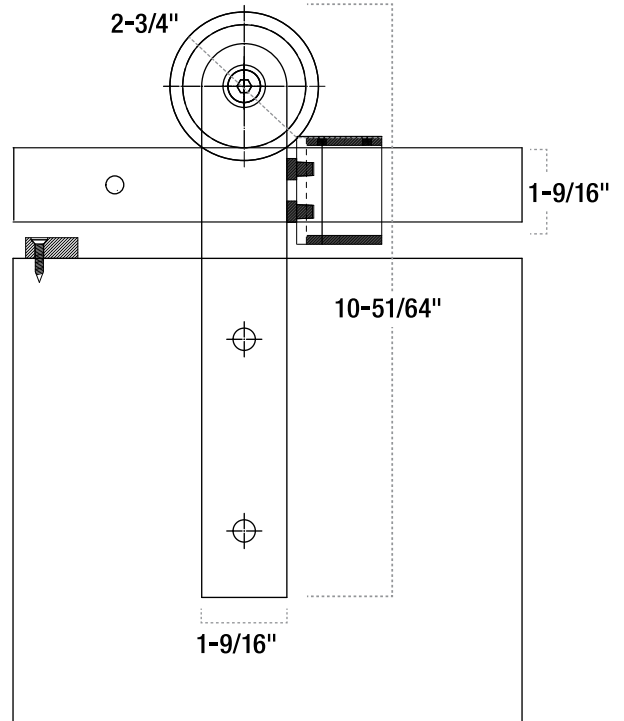
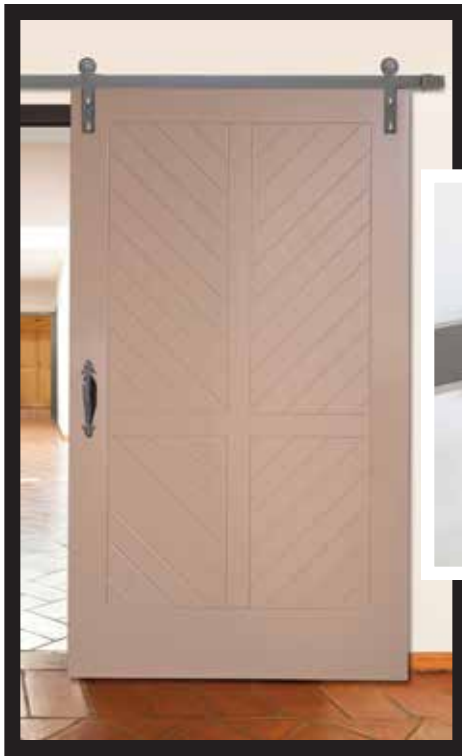
*Note: If installing into drywall, track will require proper reinforcement inside the wall or on the surface of the wall.*

## STOCKED PRODUCT

Item	Length	Finish
MININDKIT	80"	Black
MININDKIT	104"	Black
MININDKIT SN	80"	Satin Nickel
MININDKIT SN	104"	Satin Nickel
MININDCARRIER BLK		Black
MININDCARRIER SN		Satin Nickel
MSTOPPER BLK		Black
MSTOPPER SN		Satin Nickel
MINKITCOUPLER BLK		Black
MINKITCOUPLER SN		Satin Nickel
MANTIJUMPDISC BLK		Black
MANTIJUMPDISC GRY		Gray
PREMFLGUIDE02 BLK		Black
PREMFLGUIDE02 GRY		Gray
PREMFLGUIDE12 BLK		Black
PREMFLGUIDE12 GRY		Gray

# AMERICAN RUSTIC SLIDING BARN DOOR HARDWARE

## MINI-MODERN



**MINI-MODERN HANGER**

Mini Modern shown with Encore 6616 by Millennium Doors

### FEATURES:

- Kit Designed for use with 1-3/4" & 1-3/8" thick wood doors  
**Door weight up to 286 pounds per door**
- Color/Finish: Silver
- Wheel Type: Nylon
- Track & Hardware Kit is for 1 door

### Kits Include:

- 2 ea. Hangers (MINMODCARRIER SLVR)
- 2 ea. Stops (MSTOPPER SLVR)
- 2 ea. Anti-Jump Discs (MANTIJUMPDISC GRY)
- 1 ea. Coupler (MINKITCOUPLER SLVR)
- 1 ea. Floor Mounted Internal Guide (PREMFLGUIDE02 BLK)
- 1 ea. Wall Mount Channel Door Guide (PREMFLGUIDE12 BLK)

### TWO YEAR LIMITED WARRANTY

36" Doors – Use 80" Track Kit

48" Doors – Use 104" Track Kit

Pair Doors – Use two kits along with track coupler

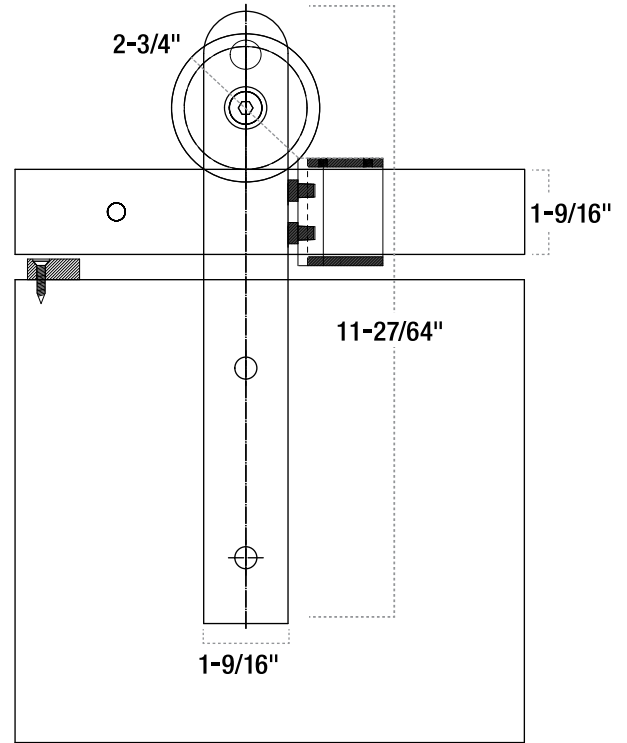
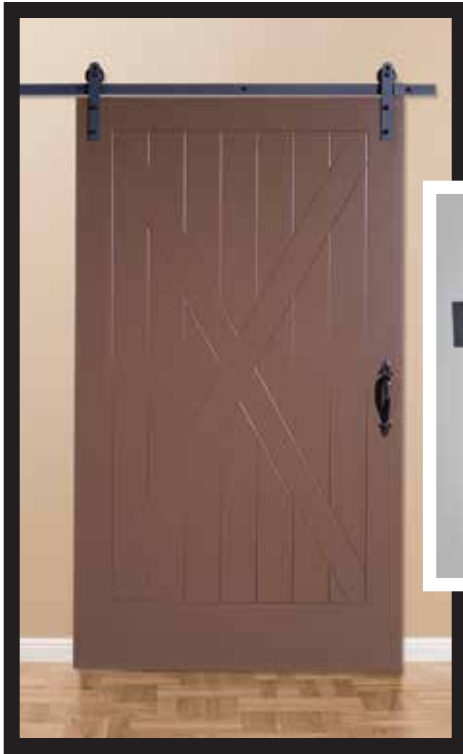
*Note: If installing into drywall, track will require proper reinforcement inside the wall or on the surface of the wall.*

### STOCKED PRODUCT

Item	Length	Finish
MINMODKIT	80"	Silver
MINMODKIT	104"	Silver
MINKITCOUPLER		Silver
MSTANDOFF		Silver
MSTOPPER		Silver
MINMODCARRIER SLVR		Silver
PREMFLGUIDE02 BLK		Black
PREMFLGUIDE02 GRY		Gray
PREMFLGUIDE12 BLK		Black
PREMFLGUIDE12 GRY		Gray

# AMERICAN RUSTIC SLIDING BARN DOOR HARDWARE

## MINI-ULTRA MODERN



MINI-ULTRA MODERN HANGER

Mini Ultra Modern shown with Encore 6614 by Millennium Doors

### FEATURES:

- Kit Designed for use with 1-3/4" & 1-3/8" thick wood doors  
**Door weight up to 286 pounds per door**
- Color/Finish: Flat Black
- Wheel Type: Nylon
- Track & Hardware Kit is for 1 door

### Kits Include:

- 2 ea. Hangers (MINULTCARRIER BLK)
- 2 ea. Stops (MSTOPPER BLK)
- 2 ea. Anti-Jump Discs (MANTIJUMPDISC BLK)
- 1 ea. Coupler (MINKITCOUPLER BLK)
- 1 ea. Floor Mounted Internal Guide (PREMFLGUIDE02 BLK)
- 1 ea. Wall Mount Channel Door Guide (PREMFLGUIDE12 BLK)

### TWO YEAR LIMITED WARRANTY

36" Doors – Use 80" Track Kit

48" Doors – Use 104" Track Kit

Pair Doors – Use two kits along with track coupler

*Note: If installing into drywall, track will require proper reinforcement inside the wall or on the surface of the wall.*

### STOCKED PRODUCT

Item	Length	Finish
MINULTMODKIT	80"	Black
MINULTMODKIT	104"	Black
MINKITCOUPLER		Black
MSTANDOFF		Black
MSTOPPER		Black
MINULTCARRIER BLK		Black
PREMFLGUIDE02 BLK		Black
PREMFLGUIDE02 GRY		Gray
PREMFLGUIDE12 BLK		Black
PREMFLGUIDE12 GRY		Gray

# SLIDING BARN DOOR HARDWARE

## PULLS



**71 HD 03 BLK**  
9-9/16"H x 1-3/16"W



**71 HD 05 BLK/SN**  
6-7/16"H x 1"W



**71 HD 06 BLK**  
6-1/2"H x 2-1/16"W



**71 HD 11 BLK**  
12-10/16"H x 2-3/8"W x  
5/8"D



**71 HD 14 BLK**  
13-3/4"H x 1-15/16"W x 9/16"D



**71 HD 17**  
11"H



**71 HD 16 BLK/SS**  
Pull Handle  
7-3/32" CTC  
11-13/16"H x 1-9/16"W" x 1"D  
Finger Pull  
8-21/32"H x 2-23/64"W

### STOCKED PRODUCT

Item	Finish
RUSTICPULL71HD03W BLK	Black
RUSTICPULL71HD05W BLK	Black
RUSTICPULL71HD05W SN	Satin Nickel
RUSTICPULL71HD06W BLK	Black
RUSTICPULL71HD11W BLK	Black
RUSTICPULL71HD14W BLK	Black
RUSTICPULL71HD16W BLK	Black
RUSTICPULL71HD16W SS	Stainless Steel
RUSTICPULL71HD17W BLK	Black

# SLIDING BARN DOOR HARDWARE

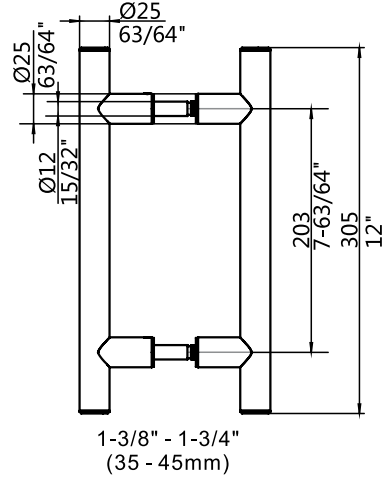
## PULLS



70 04 91 WD SS



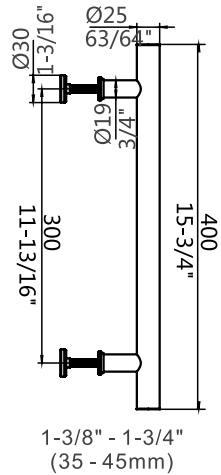
70 04 91 WD BLK



70 84 92 WD SS



70 84 92 WD BLK



### STOCKED PRODUCT

#### Item

PREMPULL700491WD SS  
 PREMPULL700491WD BLK  
 PREMPULL708492WD SS  
 PREMPULL708492WD BLK

#### Finish

Stainless Steel  
 Black  
 Stainless Steel  
 Black

# SLIDING BARN DOOR HARDWARE ACCESSORIES



PREMCONNECTOR SS/DB  
**Premium Track Connector**



PREMENDCAPS SS/DB  
**Premium End Cap**



PREMCLAMPFIX08 SS/DB  
**Premium Clamp Fixture**



PREMSPACERBRKT SS/BLK  
**Premium Spacer Bracket**  
adds ¼" clearance



MINISPACERADJBRKT BLK/SLVR  
**Rustic Line ADJ Spacer Bracket**  
(for mini series)  
adjusts from 1-3/4"-2-1/2"



MINSOFTCLOSE BLK/GRY  
**Flat Track Soft Close Mechanism**



BRNDRLATCH SS/BLK  
**Barn Door Latch**

## STOCKED PRODUCT

Item	Finish
PREMCONNECTOR DB	Dark Bronze
PREMCONNECTOR SS	Stainless Steel
PREMENDCAPS DB	Dark Bronze
PREMENDCAPS SS	Stainless Steel
PREMCLAMPFIX08 DB	Dark Bronze
PREMCLAMPFIX08 SS	Stainless Steel
PREMSPACERBRKT BLK	Black
PREMSPACERBRKT SS	Stainless Steel
MINISPACERADJBRKT BLK	Black
MINISPACERADJBRKT SLVR	Silver
MINSOFTCLOSE BLK	Black
MINSOFTCLOSE GRY	Gray
BRNDRLATCH722092 SS	Stainless Steel
BRNDRLATCH722126 BLK	Black



# SLIDING BARN DOOR HARDWARE

## FLOOR GUIDES



PREMFLGUIDE02 BLK/GRY  
POM Material, Floor Mounted Internal Guide



PREMFLGUIDE03 SS/BLK  
Stainless Steel Floor Mounted Guide



PREMFLGUIDE04 SS/DB  
Stainless Steel Floor Mounted Internal Guide



PREMFLGUIDE07 BLK  
POM Material, U Shaped Floor Mounted Guide



PREMFLGUIDE09 DB - 1-3/8" Only  
Steel Wall Mounted Channel Guide



PREMFLGUIDE17 SS/DB  
Stainless Steel Bracket/POM Guide,  
Wall Mounted Internal Guide



PREMFLGUIDE18 SS/DB  
Stainless Steel Wall Mounted Internal Guide

### STOCKED PRODUCT

Item	Finish
PREMFLGUIDE02 BLK	Black
PREMFLGUIDE02 GRY	Gray
PREMFLGUIDE03 BLK	Black
PREMFLGUIDE03 SS	Stainless Steel
PREMFLGUIDE04 DB	Dark Bronze
PREMFLGUIDE04 SS	Stainless Steel
PREMFLGUIDE07 BLK	Black
PREMFLGUIDE09 DB	Dark Bronze
PREMFLGUIDE17 DB	Dark Bronze
PREMFLGUIDE17 SS	Stainless Steel
PREMFLGUIDE18 DB	Dark Bronze
PREMFLGUIDE18 SS	Stainless Steel

# SLIDING BARN DOOR HARDWARE

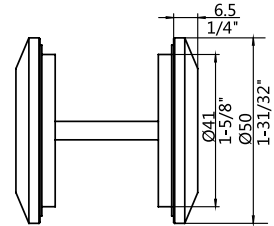
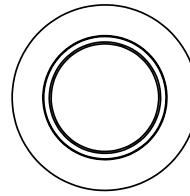
## PULLS



71 13 92 WDSS



71 13 92 WDBLK



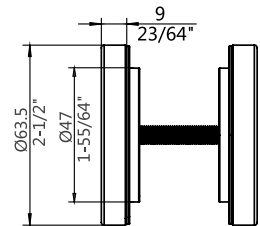
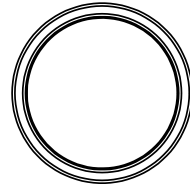
1-3/8" - 1-3/4"  
(35 - 45mm)



71 14 92 WDSS



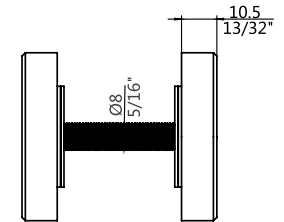
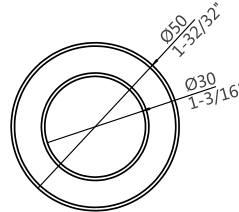
71 14 92 WDBLK



1-3/8" - 1-3/4"  
(35 - 45mm)



71 14 92 WDAL



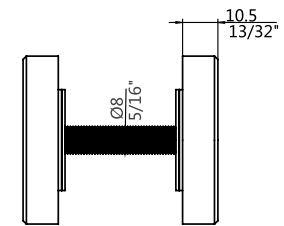
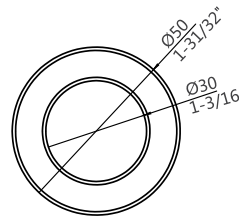
1-3/8" - 1-3/4"  
(35 - 45mm)



71 16 92 WDSS



71 16 92 WDBLK



1-3/8" - 1-3/4"  
(35 - 45mm)

### STOCKED PRODUCT

Item	Finish
PREMPULL711392WD SS	Stainless Steel
PREMPULL711392WD BLK	Black
PREMPULL711492WD SS	Stainless Steel
PREMPULL711492WD BLK	Black
PREMPULL711492WD AL	Aluminum
PREMPULL711692WD SS	Stainless Steel
PREMPULL711692WD BLK	Black

Northern California  
Phone (916) 379-4270  
Fax (916) 379-4287

Southern California  
Phone (909) 879-8880  
Fax (909) 879-8881

Atlanta  
Phone (404) 935-4077  
Fax (404) 935-4079

Texas  
Phone (469) 322-8100  
Fax (469) 322-8122