

Hager

Commercial Screws For 1279 Series

Stocked Product

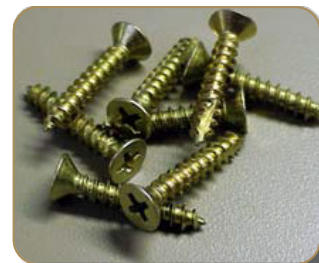
| | Finishes | Quantity Per Box/Bag |
|-----------------------------------|---|----------------------|
| MS050 Machine Screw 1/2" x 12-24 | US11 (10A), 26D, US3, 13P | 100 |
| WS075 Wood Screw 3/4" x 12 FPHW | US11 (10A), US2C (26D), US3, US4, 26, 13P | 400 |
| WS125 Wood Screw 1-1/4" x 12 FPHW | US11 (10A), 15, 26, 26D, US3, US4 | 100 |
| WS200 Wood Screw 2" x 12 FPHW | US11 (10A), 15, US3, US2C (26D) | 400 |



Residential Wood & Machine Screws

Stocked Product

| | Finishes | Quantity Per Box/Bag |
|---------------------------------|---|----------------------|
| 1300 Machine Screw 1/2" x 10-24 | US3 | 1,200 |
| *2617 Wood Screw 3/4" x 9 | 10A, 10B, 15, 15A, 26, 26D, 1D, 2D, 3, 4, 5 (ABA) | 600 |
| 2817 Wood Screw 3/4" x 9 | 10A, 15, 15A, 26, 26D, 1D, 2D, 3, 4, 5 (ABA) | 800 |
| 2817-1 Wood Screw 1" x 9 | 10A, 10B, 15, 15A, 26, 26D, 1D, 2D, 3, 4, 5 (ABA) | 800 |



Hager

700 - 3 Knuckle Commercial Hinges

Plain Bearing - Standard Weight

For use on medium weight doors or door requiring low frequency service

Gauge of Metal: 0.134

Hole Count: 8

Screw Size: Machine 1/2 x 12-24

Wood 1-1/4 x 12

ANSI

A2133

Stocked Product

700 4-1/2 x 4-1/2 10B, 26D



AB700 - 3 Knuckle Commercial Hinges

Concealed Anti-Friction Bearing - Standard Weight

For use on medium weight doors or door requiring medium frequency service

Hinge size: Inches 4-1/2 x 4-1/2

mm 114 x 114

Gauge of Metal: 0.134

Hole Count: 8

Screw Size: Machine 1/2 x 12-24

Wood 1-1/4 x 12

ANSI

A8112

Stocked Product

AB700 4-1/2 x 4-1/2 10B, 26D



AB750 - 3 Knuckle Commercial Hinges

Concealed Anti-Friction Bearing - Heavy Weight

For use on heavy weight doors or door requiring high frequency service

Hinge size: Inches 4-1/2 x 4-1/2

mm 114 x 114

Gauge of Metal: 0.180

Hole Count: 8

Screw Size: Machine 1/2 x 12-24

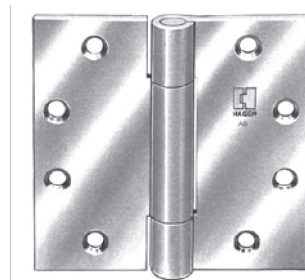
Wood 1-1/4 x 12

ANSI

A8111

Stocked Product

AB750 4-1/2 x 4-1/2 10B, 26D



BB1168 - Full Mortise Hinge

Template Hole Pattern

Full Mortise Hinge

Ball Bearing Heavy Weight

Steel with Steel Pin

ANSI A8111

Hinge Thickness .180 4-1/2" x 4-1/2"

.190 5" x 4-1/2"

Screw Size: Machine 1/2 x 12-24

Wood 1-1/4 x 12

Case lot 24 each

Packaging All machine, 1/2 wood screws

Stocked Product

BB1168 4-1/2" x 4-1/2" 10B, 26D

BB1168 5" x 4-1/2" 10B, 26D

NBB1168 4-1/2" x 4-1/2" NRP 10B, 26D

NBB1168 5" x 4-1/2" NRP 10B, 26D



Hager

1191 - Full Mortise Hinge

Stocked Product

| | |
|----------------------------|----------|
| 1191 3-1/2" x 3-1/2" 3 pk. | 10D |
| 1191 4" x 4" 3 pk. | 10D, 32D |

Features:

- 5 Knuckle
- Plain Bearing
- Standard Weight
- Brass with Brass Pin: ANSI A2133
- Stainless Steel with Stainless Steel Pin: ANSI A5133



BB1191 - Full Mortise Hinge

Stocked Product

| | |
|-----------------------------|----------|
| BB1191 4-1/2" x 4-1/2" | 26D, 32D |
| NBB1191 4-1/2" x 4-1/2" NRP | 26D, 32D |

Case lot 48 each
Packaging All machine, 1/2 wood screws

Features:

- Template Hole Pattern
- Full Mortise Hinge
- Ball Bearing Medium Weight
- Brass with Brass Pin
- ANSI A2112
- Stainless Steel with Stainless Steel Pin
- Screw Size: Machine 1/2 x 12-24
Wood 1-1/4 x 12
- ANSI A5112
- Hinge Thickness .134



BB1129 - Half Mortise Hinge

Stocked Product

| | |
|----------------|--------------|
| NBB1129 4 1/2" | 26D with NRP |
|----------------|--------------|

Features:

- Half Mortise Hinge
- Ball Bearing Standard Weight
- Steel with Steel Pin
- Hinge Thickness .134
- Screw Size: Machine 1/2 x 12-24
- ANSI A8212 screws



BB1173 - Half Surface Hinge

Stocked Product

| | |
|---------------|--------------|
| BB1173 4 1/2" | 26D with NRP |
|---------------|--------------|

- Full Mortise Hinge
- Ball Bearing Standard Weight
- Steel with Steel Pin
- Hinge Thickness .134
- Screw Size: Machine 1/2 x 12-24
Wood 2 x 1/4-20
- ANSI A8212 screws



BB1199 - Full Mortise Hinge

Pattern

Stocked Product

| | |
|----------------------------|-------------|
| BB1199 4-1/2 X 4-1/2 | 10B,26D,32D |
| BB1199 5" X 4-1/2 | 10B,26D |
| NBB1199 4-1/2 X 4-1/2" NRP | 10B,26D,32D |
| NBB1199 5" X 4-1/2 NRP | 10B, 26D |

Case lot 24 each
Packaging All machine, 1/2 wood screws

- Full Mortise Hinge
- Ball Bearing Heavy Weight
- Brass with Stainless Steel Pin
- 5 Knuckle 4 Ball Bearing
- Hinge Thickness .180 4-1/2" x 4-1/2"
.190 5" x 4-1/2"
- Screw Size: Machine 1/2 x 12-24
Wood 1-1/4 x 12



Hager

1250 - Full Mortise Spring Hinge

Stocked Product

| | |
|----------------------|--|
| 1250 4" x 4" | 10B, 15, 26D, L1 |
| 1250 4-1/2" x 4-1/2" | US10A, US10B, US15, US26D, US3, US4, USP |

| | |
|-----------|---------------------------------|
| Case lot | 48 each |
| Packaging | All wood, All machine screws |

Features:

Template Hole Pattern
Full Mortise Spring Hinge
Square Corner
Steel ANSI K81071F
Hinge Thickness .134
Screw Size: Machine 1/2 x 12-24
Wood 1-1/4" x 12



1251 - Full Mortise Spring Hinge

Stocked Product

| | |
|------------------------|--|
| RC1251 3-1/2" x 3-1/2" | US3, US4, US10D, US15, US26D |
| RC1251 4" x 4" | US10B, US10D, US15, US15A, US26D, US3, US4, L1 |

| | |
|-----------|------------------------------|
| Case lot | 48 each |
| Packaging | All wood, 1/2 machine screws |

Features:

Template Hole Pattern
1/4" Radius
Steel ANSI K81071F
Hinge Thickness .134
Screw Size: Machine 1/2 x 12-24
Wood 1-1/4" x 12



1279 - Full Mortise Hinge

Stocked Product

| | |
|--|---|
| 1279 3-1/2" x 3-1/2" | 10B, 10D, 15, 15A, 26, 26D, US3, USP, WHT |
| 1279 4" x 4" | 10A, 10B, 10D, 15, 15A, 26, 26D, US3, US5, USP, WHT, L1 |
| N1279 4"X4" NRP | 10A, 10B, 10D, 15, 15A, 26, 26D, US3, L1 |
| 1279 4-1/2" x 4-1/2" | 10A, 10B, 10D, 15, 15A, 26, 26D, US3, US4, USP |
| N1279 4-1/2" x 4-1/2" NRP | 10A, 10B, 10D, 15, 15A, 26, 26D, US3, US4, USP |
| 1279 special H2H Finish (Galvanized) | |
| 3-1/2" x 3-1/2", 4" x 4", 4-1/2" x 4-1/2" NRP only | |

Features:

Template Hole Pattern
Plain Bearing Standard Weight
Steel with Steel Pin
ANSI A8133
Hinge Thickness 3-1/2 x 3-1/2 .119
4 x 4 .129
4-1/2 x 4-1/2 .134
Case lot 48 each 4 x 4, 4-1/2 x 4-1/2, 100 per case 3-1/2 x 3-1/2
Packaging All wood, 1/2 machine screws
Screw Size for 3-1/2 x 3-1/2 : Machine 1/2 x 10-24
Wood 1 x 9
Screw Size for 4 x 4, 4-1/2 x 4-1/2" Machine 1/2 x 12-24
Wood 1-1/4 x 12

BB1279 - Full Mortise Hinge

Stocked Product

| | |
|-----------------------------|--|
| BB1279 4" x 4" | 10A, 10B, 10D, 15, 15A, 26, 26D, US3, USP |
| NBB1279 4"X4" NRP | 10A, 10B, 15, 15A, 26, 26D, US3 |
| BB1279 4-1/2" x 4-1/2" | 10A, 10B, 10D, 15, 15A, 26, 26D, US3, US4, USP |
| NBB1279 4-1/2" x 4-1/2" NRP | 10A, 10B, 15, 15A, 26, 26D, US3, US4, USP |
| BB1279 5" x 4-1/2" | 10B, 26D |
| NBB1279 5"X4-1/2" NRP | 10B, 26D |
| BB1279 5" x 5" | 10B, 26D |
| NBB1279 5" x 5" | 10B, 26D |

Template Hole Pattern
Ball Bearing Standard Weight
Steel with Steel Pin
ANSI A8112
Hinge Thickness 4 x 4 .129
4-1/2 x 4-1/2 .134

Case lot 48 each
Packaging All wood, 1/2 machine screws
Screw Size for 4 x 4, 4-1/2 x 4-1/2: Machine 1/2 x 12-24
Wood 1-1/4 x 12



Hager

RC1279 - Full Mortise Hinge

Stocked Product

| | |
|------------------------|--|
| RC1279 3-1/2" x 3-1/2" | 10A, 10B, 10D, 15, 15A, 26, 26D, US3, US4, US5, USP |
| RC1279 4" x 4" | 10A, 10D, 10B, 15, 15A, 26, 26D, US3, US4, US5, USP, L1, WHT |
| NRC1279 4"X4" NRP | 10A, 15, 26D, US3, US4, 10B |

Case lot 3-1/2 x 3-1/2 100 each
4 x 4 48 each
Packaging All wood, 1/2 machine screws

Features:

Template Hole Pattern
Plain Bearing 1/4" Radius
Available with NRP (non removable pin)
Hinge Thickness 3-1/2 x 3-1/2 .119
4 x 4 .129

Screw Size for 3-1/2 x 3-1/2 :

Screw Size for 4 x 4 , 4-1/2 x 4-1/2:



Machine 1/2 x 10-24
Wood 1 x 9
Machine 1/2 x 12-24
Wood 1-1/4 x 12

BBRC1279 - Full Mortise Hinge

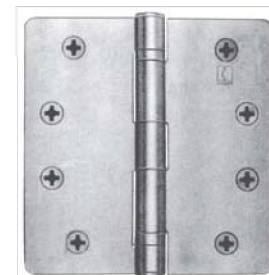
Stocked Product

| | |
|-----------------------|--|
| BBRC1279 4" x 4" | 10A, 10B, 10D, 15, 26, 26D, US3, US4, L2 |
| NBBRC1279 4" x 4" NRP | 10A, 26D |

Case lot 48 each
Packaging All wood, 1/2 machine screws

Features:

Template Hole Pattern
Ball Bearing 1/4" Radius
Available with NRP (non removable pin)
Hinge Thickness 4 x 4 .129
Screw Size: Machine 1/2 x 12-24
Wood 1-1/4 x 12



SQ1541/RC1541/RC1542- Full Mortise Hinge

Stocked Product

| | |
|---------------------------------------|--------|
| SQ1541 3-1/2" x 3-1/2" 2 pk. | 32D |
| SQ1541 4" x 4" 2 pk. | 32D |
| RC1541 1/4" RAD 3-1/2" x 3-1/2" 2 pk. | 3, 32D |
| RC1541 1/4" RAD 4" x 4" 2 pk. | 3, 32D |
| RC1542 5/8" RAD 3-1/2" x 3-1/2" 2 pk. | 3, 32D |
| RC1542 5/8" RAD 4" x 4" 2 pk. | 3, 32D |

Features:

5 Knuckle
Plain Bearing
Reversible
Removable Pin
Brass: ANSI A2134
Stainless Steel: ANSI A5134



Hager

RC1741/1741 - Full Mortise Residential Hinge

Stocked Product

| | |
|------------------------|---|
| RC1741 3-1/2" x 3-1/2" | 10A, 10B, 15, 15A, 1D, 26, 26D, 2D, US3, US4, US5, 3LB, USP |
| RC1741 4" x 4" | 10A, 10B, 15, 15A, 1D, 26, 26D, 2D, US3, US4, US5, 3LB, USP |
| NRC1741 4" x 4" NRP | 10A, 10B, 15, 15A, 1D, 26, 26D, 2D, US3, US4, US5, USP |
| SQ 1741 boxed | |
| 3-1/2" x 3-1/2" | 10B, 15, 26D, US3, US26 |
| SQ1741 boxed 4" x 4" | 10B, 15, 26D, US3, US26 |

Features:

Plain Bearing - Residential Weight
 Non Template - 1/4" Radius Corner;
 Square Corner
 Five Knuckle - Removable Pin
 Hinge Thickness .085
 Case lot 100 each
 Packaging All wood
 Screw Size: Wood 3/4 x 9



- Most sizes stocked, boxed or bulk
- NRP stocked 4" x 4" only RC1741

RC1744 - Residential Spring Hinge

FULL MORTISE TEMPLATE FOR AUTOMATIC CLOSING OF DOOR

Stocked Product

| | |
|----------------|-----------------------|
| RC1744 4" x 4" | 10A, 26D, 2D, US3, L2 |
|----------------|-----------------------|

Case lot 80 each
 Packaging All machine, 1/2 wood screws
 Maximum door size - 4" x 4" 3/0 x 7/0

Features:

Template Hole Pattern
 1/4" Radius 4" x 4"
 Light weight for residential use only
 Use with Timely style frames All machine and 1/2" wood screws
 Adjustable tension, three knuckle, adjusting tool included
 Hinge Thickness .085
 Screw Size: Machine 1/2 x 12-24
 Wood 1-1/4 x 12



Note:

1. For maximum versatility use all spring hinges
2. Full spring tension may not be required on all hinges.

Hager

RC1748 - Full Mortise Residential Hinge

Stocked Product

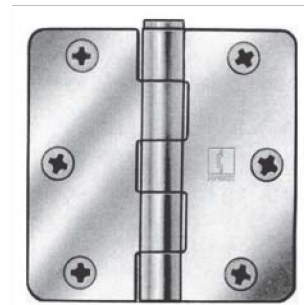
RC1748 3-1/2" x 3-1/2"
10A, 26D, 2D, US3, L2, USP

Template Hole Pattern:

Case lot 100 each
Packaging All machine, 1/2 wood screws #9
Box 2 Each, Sold in Boxes Pack only

Features:

For Timely Frames
Plain Bearing - Residential Weight
Template - 1/4" Radius Corner
Five Knuckle - Reversible - Removable Pin
Hinge Thickness .085
Screw Size: Machine 1/2 x 10-24
Wood 1 x 9



RC1749 - Full Mortise Residential Hinge

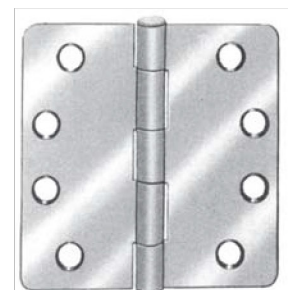
Stocked Product

RC1749 4" x 4"
10A, 26, 26D, 2D, US3, US5, L1, L2, LS
RC1749 NRP 4" x 4"
10A, 26D, US3, L2

Case lot 48 each
Packaging All machine, 1/2 wood screws #12 head
Box 3 Each, Sold in Boxes Pack only

Features:

Template Hole Pattern
For Timely Frames
Plain Bearing - Residential Weight
Template - 1/4" Radius Corner
Five Knuckle - Removable Pin
Template Hole Pattern
Hinge Thickness .085
Screw Size: Machine 1/2 x 12-24
Wood 1-1/4 x 12



RC1751, RC1752, SQ1750 - Residential Spring Hinge

Stocked Product

RC1751 3-1/2" x 3-1/2"
26D, 2D, US3, US5, 15, 15A, 1D
RC1752 3-1/2" x 3-1/2"
10B, 26D, 26, 2D, US3, US5, 15, 15A, 1D
RC1751 4" x 4"
10A, 10B, 26D, 26, 2D, US3, US4, US5, 15, 15A, 1D,
US4, US5, USP
RC1752 4" x 4"
10B, 26D, 26, 2D, US3, US5, 15, 15A, 1D, US4, US5
SQ1750 4" x 4"
10B, 26D

Case lot 80 each
Packaging All wood screws

Features:

Full Mortise - Non Template
RC1751 1/4" Radius
RC1752 5/8" Radius
Size 3-1/2 x 3-1/2
Hinge Thickness .097
Screw Size: Wood 3/4 x 9
Size 4" x 4"
Hinge Thickness .097
Screw Size: Wood 1 x 9



Hager

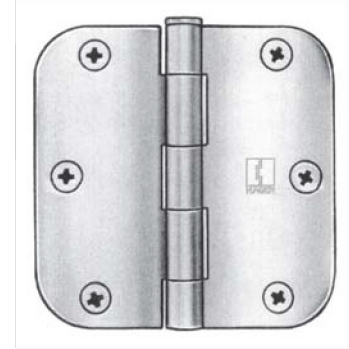
RC1841 - Full Mortise Residential Hinge

Stocked Product

RC1841 3-1/2" x 3-1/2"
 10A, 10B, 26D, 26, 2D, US3, 15, 15A, 1D, US4, US5, LS, USP
 RC1841 4" x 4"
 10A, 10B, 26D, 26, US3, 15, 15A, 1D, US4, US5, LS, USP, 3LB
 Above sizes stocked bulk, for boxed specify RC1842
 NRP option stocked RC1842 4" x 4" only
 NRC1842 4"X4" NRP
 10A, 10B, 26D, 26, US3, 15, 15A, 1D, US4, US5, LS

Features:

Full Mortise - Non Template
 Residential Weight
 5/8" Radius Corner - Bulk Assembled
 Steel Material with Steel Pin
 5 Knuckle - Reversible
 Hinge Thickness .085
 Screw Size: Wood 3/4 x 9



Case lot 100 each All
 Packaging wood screws

Roton by Hager - Continuous Hinges

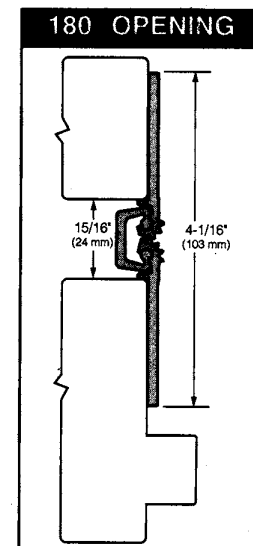
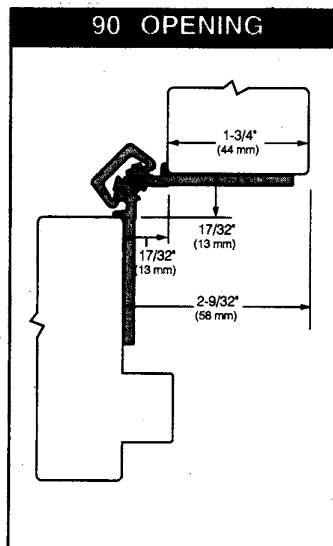
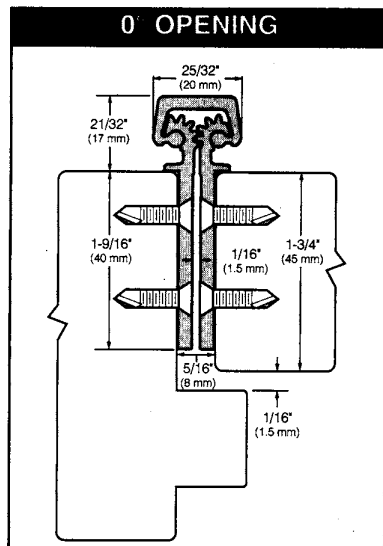
780-112 HD

Stocked Product

780-112 83" and 95" Clear

Features:

Individually packed
 Clearance - 5/16" hinge side
 Fasteners - Dril-kwix screws included
 Length - Stock 83", 95"
 Special order 79", 85", 119"
 Door reinforcement - None up to 200 lbs, use 16 gauge channel
 Frame reinforcement - None up to 200 lbs, use 16 gauge channel
 Fire rating - Up to 3 hours
 HD - Heavy duty



Roton by Hager - Continuous Hinges

780-210 HD Full Surface

Stocked Product

780-210HD 83" and 95" Clear, 83" Dark Bronze

Features:

Individually packed

Clearance - None required for hinge side, 1-5/8" minimum frame face required plus 3/16" rotational clearance

Fasteners - Drill-quick screws and sexbolts included

Length - Stock 83", 95"

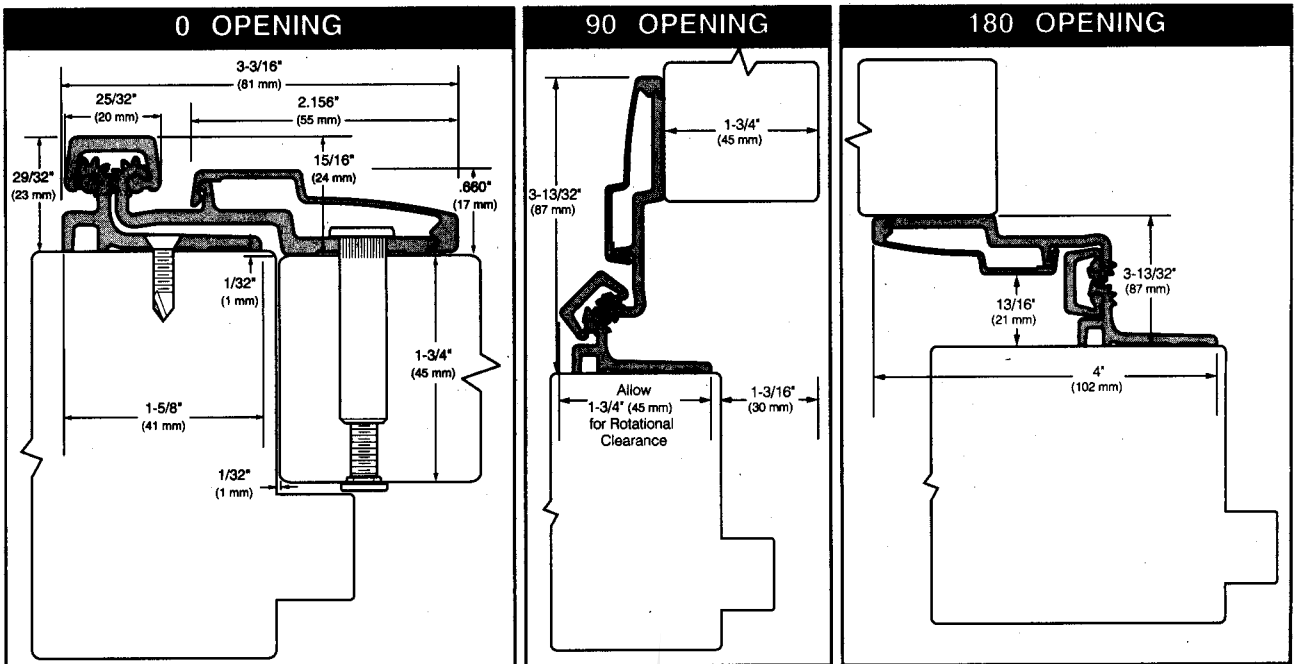
Special order 79", 85", 119"

Door reinforcement - None required

Frame reinforcement - None required up to 200 lbs, use 16 gauge channel

Special features - Zero clearance required for hinge side. Can be used with any door and frame material

HD - Heavy duty, Fire Rated



Roton by Hager - *Continuous Hinges*

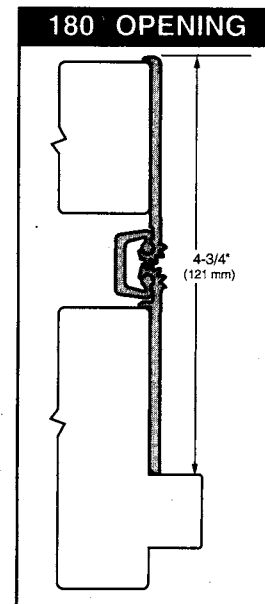
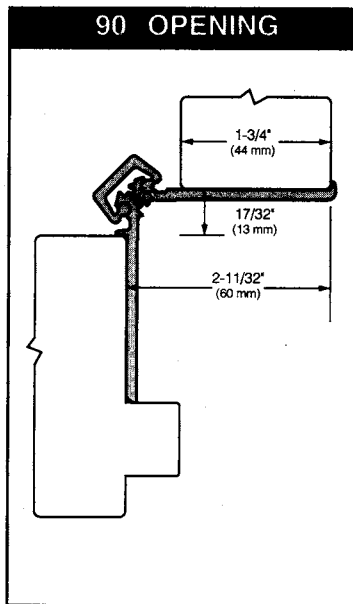
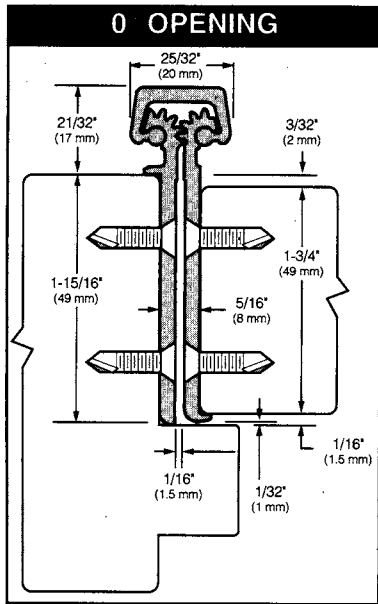
780-224 HD Mortised

Stocked Product

780-224HD 83" and 95" Clear

Features:

- Individually packed
- Clearance - 5/16" hinge side
- Fasteners - Dril-kwick screws included
- Length - Stock 83", 95"
- Special order 79", 85", 119"
- Door reinforcement - None up to 200 lbs, use 16 gauge channel
- Frame reinforcement - None up to 200 lbs, use 16 gauge channel
- Fire rating - Up to 3 hours
- HD - Heavy duty



Hager - Ecco Line

EC1100 - Steel with Steel pin

Plain Bearing - Standard Weight

For use on medium weight doors or door requiring low frequency service

Gauge of Metal: 0.134

Hole Count: 8

Screw Size: Machine 1/2 x 12-24

Wood 1-1/4 x 12

ANSI A8133

Stocked Product

EC1100 4-1/2 x 4-1/2 26D



ECBB1100 - Steel with Steel pin

Ball Bearing - Standard Weight

For use on medium weight doors or door requiring medium frequency service

Gauge of Metal: 0.134

Hole Count: 8

Screw Size: Machine 1/2 x 12-24

Wood 1-1/4 x 12

ANSI A8133

Stocked Product

ECBB1100 4-1/2 x 4-1/2 26D



ECRCBB1100 - Steel with Steel pin

Ball Bearing - Standard Weight

For use on medium weight doors or door requiring medium frequency service

* Two ball bearings

* Non-rising removable pin with button tip and plug

* Round corner with 1/4" radius standart

Gauge of Metal: 0.129

Hole Count: 8

Screw Size: Machine 1/2 x 12-24

Wood 1-1/4 x 12

ANSI A8112

Stocked Product

ECRCBB1100 4 x 4 10B, 26D



EC1105 - Steel Spring

For automatic closing of door. Meets codes for hotels, motels, institutions and commercial buildings.

* For use on 1-3/4" doors

* For maximum versatility use all spring hinges or a combination of spring and ball bearing hinges. Do not use plain bearing hinges.

* Full spring tension may not be required on all hinges

* Strong wind conditions, carpeting drag, twisted/misaligned frames, or weatherstripping on doors may require additional spring hinges

Gauge of Metal: 0.129

Hole Count: 8

Screw Size: Machine 1/2 x 12-24

Wood 1-1/4 x 12

ANSI K81071F

Stocked Product

EC1105 4-1/2 x 4-1/2 26D



Hager

1756 - 200 Degree Door Viewer

Features:

- Requires 9/16" (14 mm) hole for viewer
- For doors 1-3/8" (35 mm) to 2-1/8" (54 mm) thick, adjustable
- Tamper resistant
- 90 minute fire rated
- One way viewer
- Brass
- Meets ANSI A156.16 for L03221



Stocked Product

1756 US3, US10A, US15, US15A, US26

232W - Convex Wall Stop

Features:

- Meets ANSI A156.16 for L02101
- Diameter: 2-7/16" (62 mm)
- Projection: 1" (25 mm)
- Wrought brass, bronze, stainless steel with grey rubber bumper
- Fasteners: One (1) #10 x 1-1/2" PPHWS with plastic and toggle anchor

Notes:

- Specify 232T for machine screw and toggle nut screw pack (10 pk)
- BL232W is 232W case quantity 50
- Concealed tamper proof mounting
- Easy installation by inserting screwdriver through small hole in bumper



Stocked Product

232W US3, US10B, US26, US32D

236W - Concave Wall Stop

Features:

- Meets ANSI A156.16 for L02101
 - Diameter: 2-7/16" (75 mm)
 - Projection: 1" (25 mm)
 - Wrought brass, bronze, stainless steel with grey rubber bumper
- Fasteners: One (1) #10 x 1-1/2" PPHWS with plastic and toggle anchor for drywall

Notes:

- Specify 230T for machine screw and toggle nut screw pack (10 pk) for concrete
- BL236W is 236W case quantity 50
- Easy installation by inserting screwdriver through small hole in bumper
- Concave rubber bumper prevents damage to locksets with projecting buttons
- Concealed tamper proof mounting



Stocked Product

236W US3, US10B, US26, US32D

Hager

241F - Dome Stop - Low

Features:

- Meets ANSI A156.16 for L02141
- Diameter: 1-11/16" (43 mm)
- Base Thickness: 1/8" (3 mm)
- Overall Height: 1" (25 mm)
- Cast brass with grey rubber bumper
- Fasteners: One (1) #14 x 1-1/2" FPHWS, one (1) 1/4-20 x 3/4" FPHMS, one (1) 1/4-20 lead anchor, and one (1) plastic anchor

Notes:

- To be used independently or in conjunction with 246B
- BL241F is 241F case quantity 50
- For use when no threshold is used (door not undercut)
- For use with wood or concrete floors



Stocked Product

241F US3, US10B, US26, US26D

246B - Dome Stop Riser Plate

Features:

- Diameter: 1-3/4" (45 mm)
- Base Thickness: 3/8" (10 mm)
- Cast brass
- Fasteners: One (1) 1/4-20 x 1" FPHMS

Notes:

- For use with 241F on undercut doors, doors with thresholds, and carpeted flooring



Stocked Product

246B US3, US10B, US26, US26D

250W - Convex Wall Stop

Features:

- Diameter: 1" (25 mm)
- Projection: 9/16" (14 mm)
- Cast brass
- Fasteners: One (1) #6 x 3/4" screw with anchor and one (1) .052" diameter nail

Notes:

- Concealed mounting screw prevents vandalism
- For use on drywall
- Compact design



Stocked Product

250W US3, US10B, US26

Hager

257F - Floor Stop

Features:

- Base: 1-9/16" x 2-15/32" (40 mm x 63 mm)
- Overall Height: 2" (51 mm)
- Cast Brass With Black Rubber Bumper
- Fasteners: One (1) #14 x 1-1/2" FPHWS, one (1) 1/4-20 x 3/4" FPHMS, one (1) 5/16-18 lead anchor, one (1) 1/4-20 lead anchor, one (1) plastic anchor, one (1) 5/16-18 x 2-1/2" threaded stud, and one (1) 5/16-18 x 2-1/2" combo threaded stud
- Meets ANSI A156.16 for L02131



Notes:

- 1-3/8" (35 mm) max door to floor clearance
- Heavy duty - for use in high traffic area
- For use on wood or concrete floors

Stocked Product

2 US3, US10B, US26, US26D

270D - Kick Down Door Holder

Features:

- Base: 1-19/32" x 1-25/32" (41 mm x 45 mm)
- Arm: 3-1/2" (89 mm)
- Cast Brass With Rubber Tip
- Fasteners: Three (3) #6 x 3/4" OPHWS
- Meets ANSI A156.16 for L01381



Notes:

- Provides simple hold and release with a touch of the foot
- 2-1/4" (57 mm) max door to floor clearance

Stocked Product

2 US3, US10B, US26, US26D

271D - Kick Down Door Holder

Features:

- Base: 1-19/32" x 1-25/32" (41 mm x 45 mm)
- Arm: 4-7/16" (87 mm)
- Cast Brass With Rubber Tip
- Fasteners: Three (3) #6 x 3/4" OPHWS
- Meets ANSI A156.16 for L01381



Notes:

- Provides simple hold and release with a touch of the foot
- 3-1/4" (83 mm) max door to floor clearance

Stocked Product

271D US26D

Hager

281D - Slide Flush Bolt

Features:

- Faceplate: 3/4" x 6" (19 mm x 153 mm)
- Bolt Diameter: 1/2" (13 mm)
- Strike: 7/8" x 1-3/4" (22 mm x 45 mm)
- Bolt Backset: 7/16" (11 mm)
- Bolt Throw: 1" (25 mm)
- Brass, Bronze faceplate with steel components
- Fasteners: Four (4) #6 x 3/4" FPHWS
- Meets ANSI 156.16 for L04201

Notes:

- Double action spring design provides automatic holding of bolt in projected or retracted position



Stocked Product

281D US3, US5, US10B, US15, US15A, US26D

282D - Manual Flush Bolt

Features:

- Faceplate: 1" x 6-3/4" (25 mm x 172 mm)
- Flattened Round Bolt Head: 1/2" (13 mm) square
- Bolt Throw: 3/4" (19 mm)
- Standard Rod Length: 12" (305 mm) (from center of face to corner of door)
- Bolt Backset: 3/4" (19 mm)
- Guide Plate: 1" x 2" (25 mm x 51 mm)
- Mortise strike: 15/16" x 2-1/4" (24 mm x 57 mm)
- Optional Rod Length: 18" (457 mm)
25" (636 mm)
30" (762 mm)
Specify 282R
- Brass faceplate with steel components
- Fasteners: Eight (8) #8 x 3/4" combo screws, Eight (8) #8 x 1-1/2" combo screws
- Meets ANSI 156.16 for L14251

Notes:

- 3-hour fire rating for metal doors up to 4 feet wide by 10 feet tall
- 282S strike plate bag and 282P bolt head available
- For use on hollow metal/fire rated doors
- 282R optional rod length available: 18" (457 mm), 25" (635 mm), and 30" (762 mm) (bolt head not included) - no charge
- Non-handed
- Bolt head rods are adjustable



Stocked Product

282D US3, US10B, US26D

Hager

324W - Light Duty Wall Bumper

Features:

- Diameter: 1-1/4" (32 mm)
- Projection: 3-1/4" (83 mm)
- Cast Brass, Bronze With White Rubber Tip
- Tip Diameter: 5/8" (16 mm)
- Fasteners: #10 x 7/8" Wood Thread
- Meets ANSI A156.16 for L02031

Notes:

- Replaceable rubber tip available. Part # 1-269-3073
- Hex shape near the tip allows usage of a wrench for easier installation



Stocked Product

324W
US3, US10B, US15, US15A, US26, US26D

30S - Square Corner - Beveled Push Plate

Features:

- Gauge: .050" (1 mm)
- Aluminum, Brass, Bronze, Stainless Steel
- Fasteners: Six (6) #6 x 5/8" OPH Tapping Screws
- Meet ANSI A156.6 for J301 push plate

Notes:

- May be ordered cut for cylinder (CFC) or engraved "PUSH"

Stocked Product

30S US3, US10B, US32D



36N - Pull Plate - Square Corner

Features:

- Gauge: 0.050" (1.3 mm)
- Aluminum, Brass, Bronze, Stainless Steel
- Fasteners: Six (6) #6 x 5/8" OPH Tapping Screws
- Meets ANSI A156.6 for J405 Pull Plate

Stocked Product

36N US3, US10B, US32D



6601 - Handrail Bracket

Features:

- Base to center of rail: 2-3/4" (70 mm)
- Projection: 3-1/4" (83 mm)
- Cast aluminum
- Fasteners: - Three (3) #8 x 1-1/2" OPHWS, Two (2) #8 x 3/4" OPHWS
- Polybag (1 each) with wood screws and rail bracket



Stocked Product

6601 US3, US5, US10A, US15