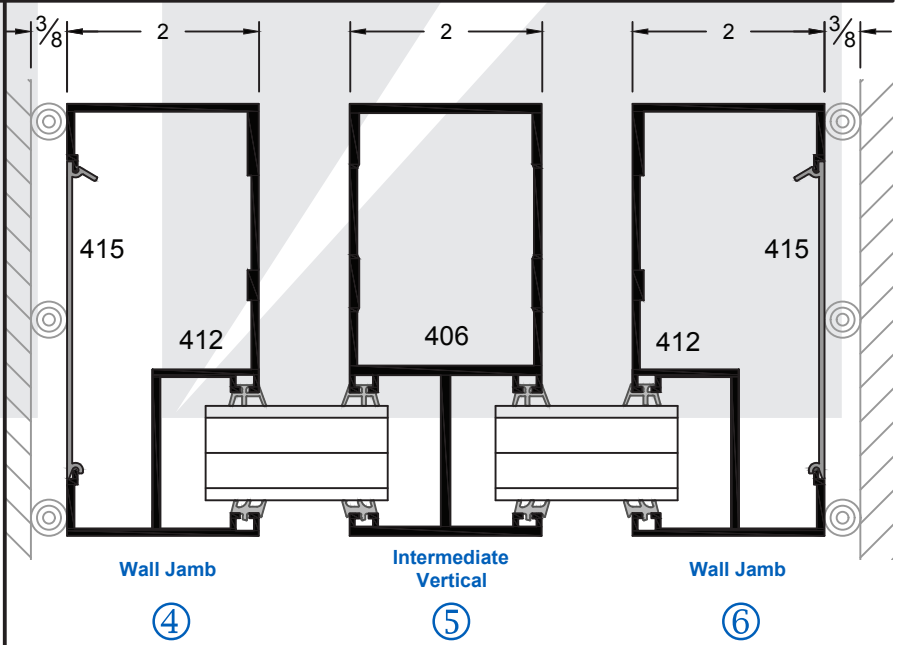
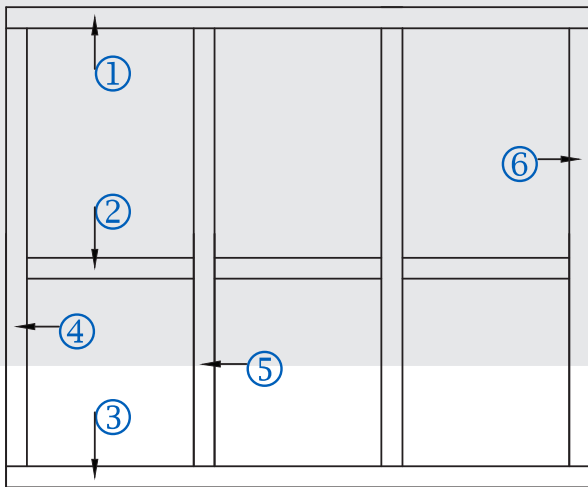
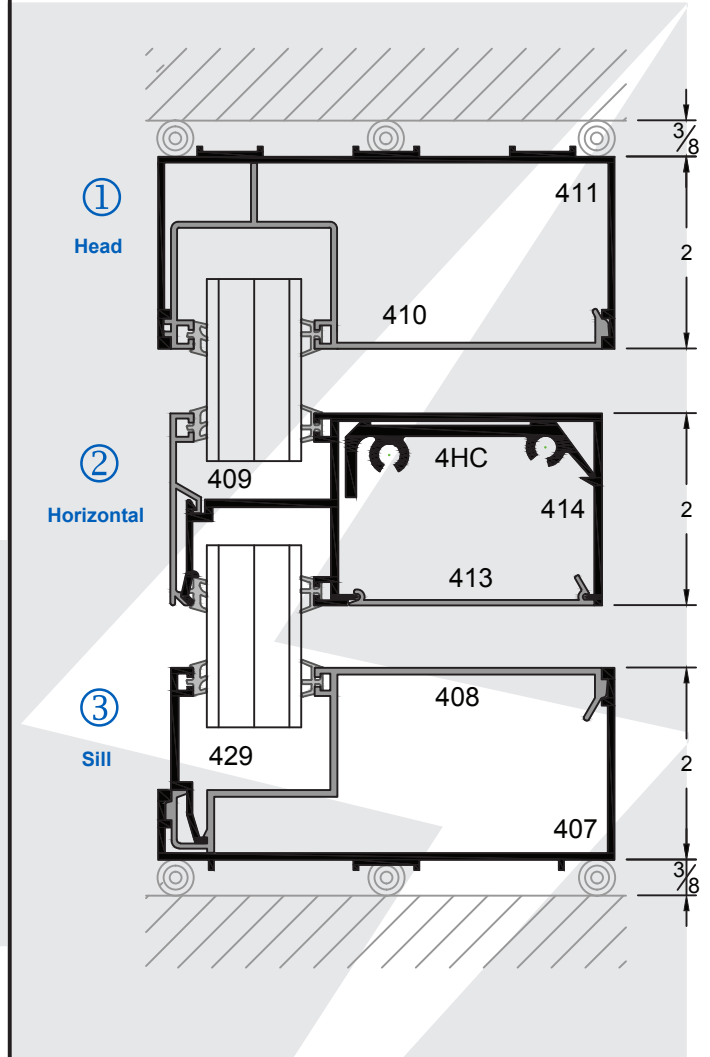
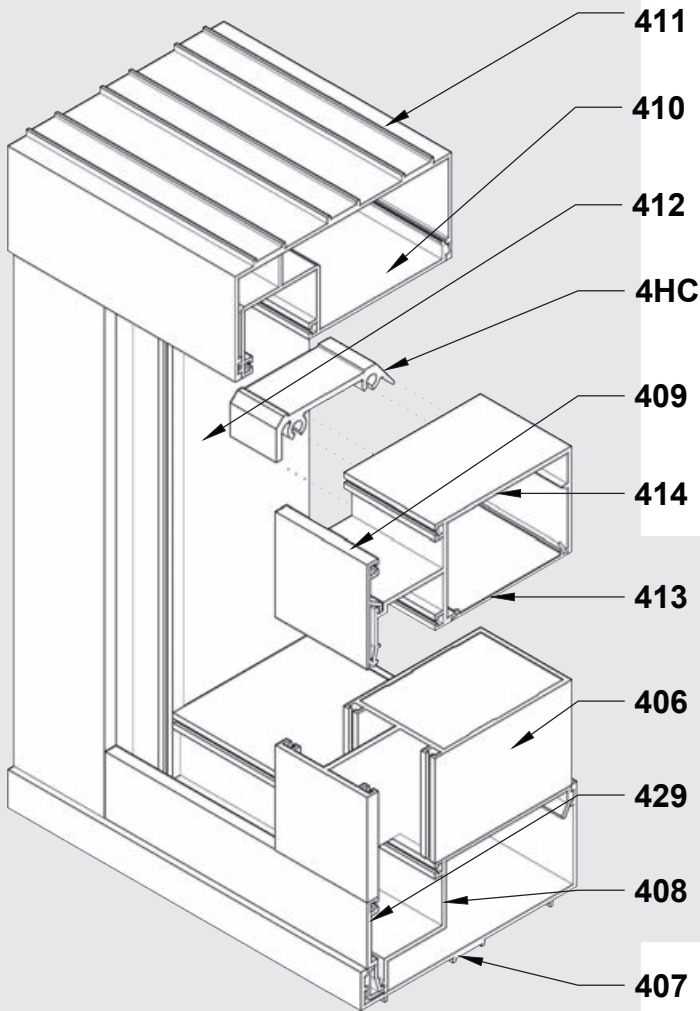


STOREFRONT EXTRUSIONS 400 SERIES

(2" x 4 1/2" x 1" OFFSET GLAZED SYSTEM)



PARTS: 400 SERIES

(2" x 4 1/2" x 1" OFFSET GLAZED SYSTEM)

PART NO.	DESCRIPTION	DRAWING	PART NO.	DESCRIPTION	DRAWING
CE411	Head Can		CE404	Vertical	
CE410	Head Can Filler		CE406	Intermediate Vertical	
CE407	Sill Can		CE4HC	Horizontal Clip	
CE408	Sill Can Insert		CE415	Flat Filler	
CE429	Glass Stopper for Sill				
CE414	Horizontal		CE421	Pocket Reducer	
CE413	Horizontal Filler				
CE409	Glass Stopper for Horizontal				
CE412	Wall Jamb				

FINISH: CA = CLEAR ANADIZED BA = BRONZE ANADIZED