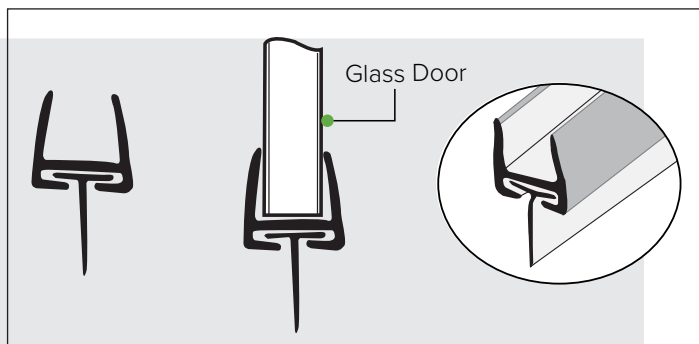


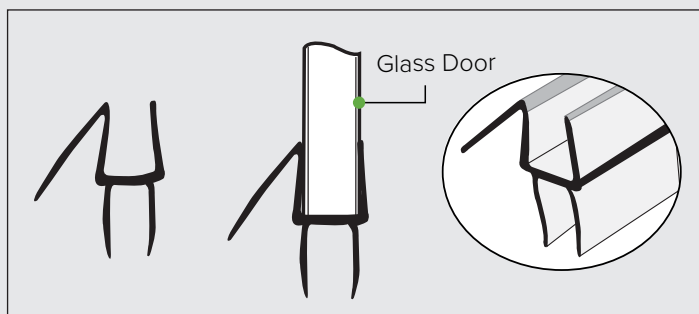
HEAVY SHOWER DOOR

POLYCARBONATES & SEALS



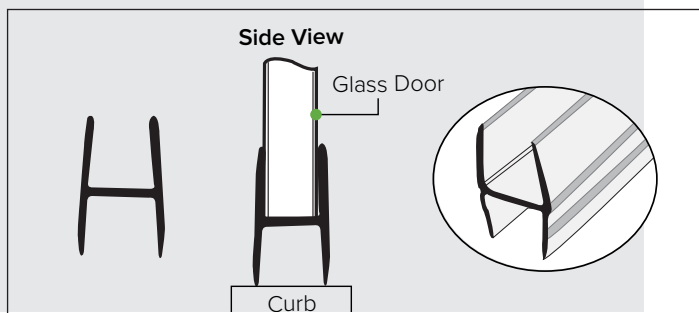
2 PIECE BOTTOM RAIL W/ "T" WIPE INSERT
98" (2.49 m) STOCK LENGTHS

NO.	GLASS THICKNESS	SUGGESTED GAP	USING SFHRT-THRESHOLD
P3807	3/8" (10 mm)	7/16" (11 mm)	11/16" (17 mm)
P1207	1/2" (12 mm)	7/16" (11 mm)	11/16" (17 mm)



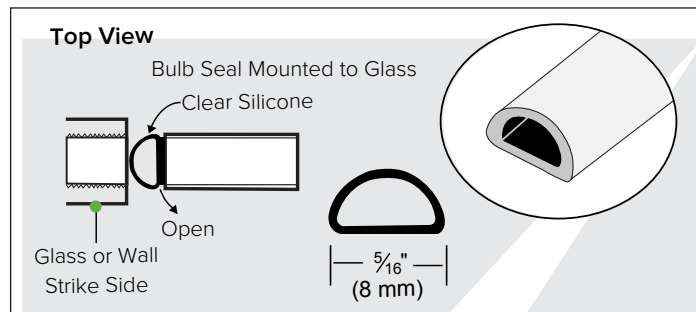
BOTTOM WIPE W/DRIP RAIL
98" (2.49 M) STOCK LENGTHS

NO.	GLASS THICKNESS	SUGGESTED GAP	USING SFHRT-THRESHOLD
P1401	1/4" (6 mm)	3/8" (10 mm)	5/8" (16 mm)
P3801	3/8" (10 mm)	7/16" (11 mm)	11/16" (17 mm)
P1201	1/2" (12 mm)	7/16" (11 mm)	11/16" (17 mm)



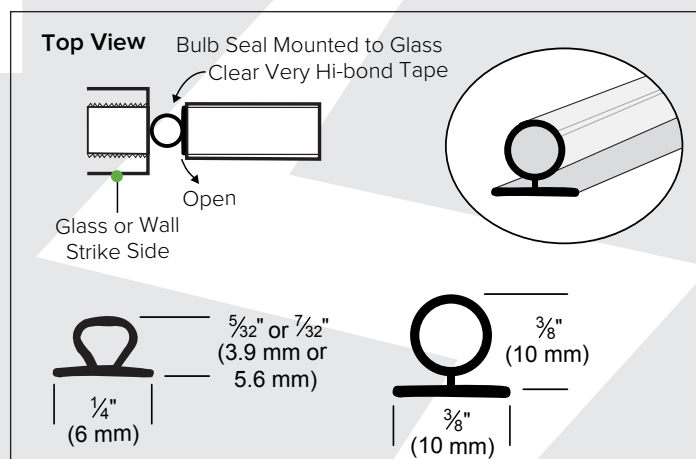
MULTI-PURPOSE "H" WIPE
98" (2.49 m) STOCK LENGTHS

NO.	GLASS THICKNESS	SUGGESTED GAP	USING SFHRT-THRESHOLD
P1404	1/4" (6 mm)	5/16" (8 mm)	9/16" (14 mm)
P3804	3/8" (10 mm)	5/16" (8 mm)	9/16" (14 mm)
P1204	1/2" (12 mm)	5/16" (8 mm)	9/16" (14 mm)



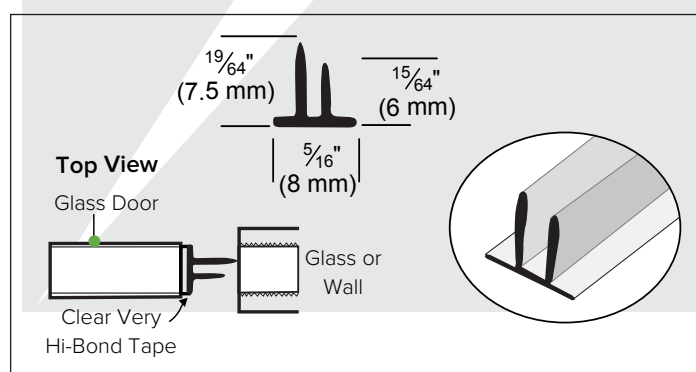
TRANSLUCENT SILICONE BULB SEAL
98" (2.49 m) STOCK LENGTHS

NO.	MAXIMUM GAP
PS08	3/16" (4.7 mm)



CLEAR BULB SEALS
98" (2.49 m) STOCK LENGTHS

NO. WITHOUT PRE-APPLIED TAPE	MAXIMUM GAP
PS01	5/32" (4 mm)
PS02	7/32" (5.6 mm)
PS03	3/8" (10 mm)



POLY VINYL "DOUBLE FIN" SEAL
98" (2.49 m) STOCK LENGTHS

NO. WITHOUT PRE-APPLIED TAPE	MAXIMUM GAP
PS04	5/16" (8 mm)

FINISH: CH = CHROME BN = BRUSH NICKEL ORB = OIL RUBBED BRONZE MB = MATTE BLACK

STANDARD & HEAVY SHOWER DOOR

VINYL & POLYCARBONATES

PS07
 $\frac{1}{2}$ " (10 mm) RIGID
 $\frac{1}{2}$ " (10 mm) RIGID

Top View
 Fixed Panel
 Glass Door
 Hinge Pin
 Open

TRANSLUCENT VINYL "L" STRIKE

98" (2.49 m) STOCK LENGTHS

NO. WITHOUT PRE-APPLIED TAPE	MAXIMUM GAP
PS07	3/8" (10 mm)

Top View
 Glass Door
 Clear Very Hi-Bond Tape
 Glass or Wall
 $\frac{5}{16}$ " (8 mm)
 $\frac{7}{16}$ " (11 mm)

TRANSLUCENT VINYL EDGE "T" WIPE

98" (2.49 m) STOCK LENGTHS

NO. WITHOUT PRE-APPLIED TAPE	MAXIMUM GAP
PS05	7/16" (11 mm)

SideView
 Glass Door
 ("A")
 ("B")
 Curb

ONE-PIECE BOTTOM RAIL W/CLEAR WIPE

98" (2.49 m) STOCK LENGTHS

NO.	"A"	"B"	GLASS SIZE	SUGGESTED GAP
P3806	7/16" (11 mm)	7/16" (11 mm)	3/8" (10 mm)	7/16" (11 mm)
P1206	7/16" (11 mm)	7/16" (11 mm)	1/2" (10 mm)	7/16" (11 mm)

"V" Seal Mounted to Wall
 Clear Very Hi-Bond Tape
 Open
 Glass or Wall Strike Side
 $\frac{5}{16}$ " (8 mm) Soft Leg
 $\frac{5}{16}$ " (8 mm) Rigid Leg
 Soft Leg

TRANSLUCENT VINYL "V" SEAL

98" (2.49 m) STOCK LENGTHS

NO. WITHOUT PRE-APPLIED TAPE	MAXIMUM GAP
PS06	1/4" (6 mm)

Top View
 Glass Door
 Fixed Panel
 Open

POLYCARBONATES "U" W/BULB ATTACHMENT

98" (2.49 m) STOCK LENGTHS

NO.	GLASS SIZE	SUGGESTED GAP
P3808	3/8" (10 mm)	1/4" (6 mm)
P1208	1/2" (12 mm)	1/4" (6 mm)

Top View
 Glass Door
 Fixed Panel
 Open

POLYCARBONATES "h" JAMB FOR 180° RIGID

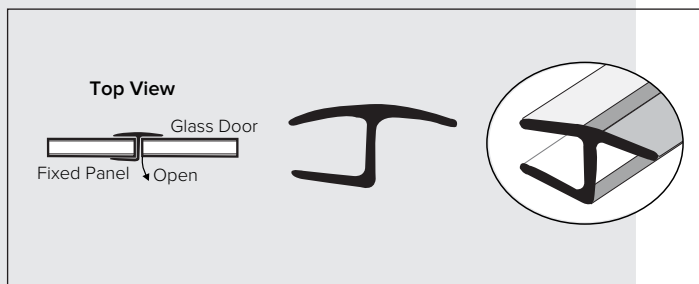
98" (2.49 m) STOCK LENGTHS

NO.	GLASS SIZE	SUGGESTED GAP
P1403	1/4" (6 mm)	3/16" (4.7 mm)
P3803	3/8" (10 mm)	3/16" (4.7 mm)
P1203	1/2" (12 mm)	3/16" (4.7 mm)

FINISH: CH = CHROME BN = BRUSH NICKEL ORB = OIL RUBBED BRONZE MIB = MATTE BLACK

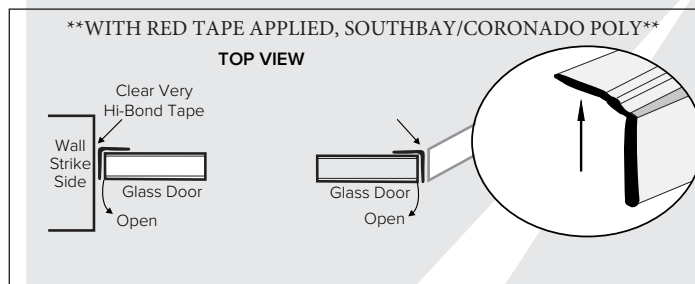
STANDARD & HEAVY SHOWER DOOR

VINYL & POLYCARBONATES



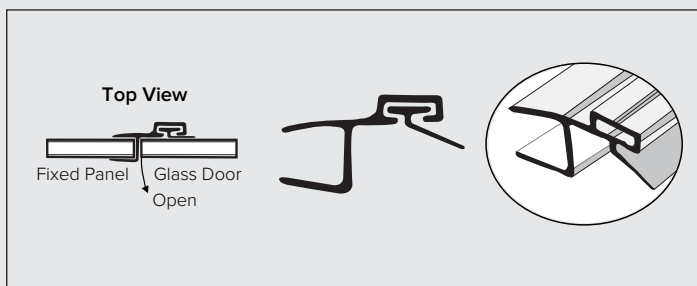
POLYCARBONATES "h" INLINE PANEL SEAL FOR 180° SOFT
98" (2.49 m) STOCK LENGTHS

NO.	GLASS SIZE	SUGGESTED GAP
P3802	3/8" (10 mm)	3/16" (4.7 mm)
P1202	1/2" (12 mm)	3/16" (4.7 mm)



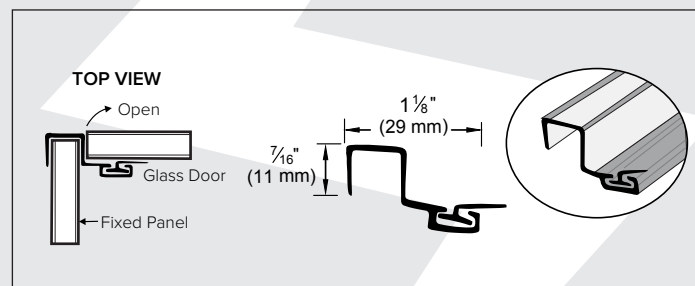
POLYCARBONATE "L" STOP
98" (2.49 m) STOCK LENGTHS

NO.	SIZE	NOTE:
PS09	9/16" X 5/8"	ONE LEG RIGID, ONE LEG SOFT



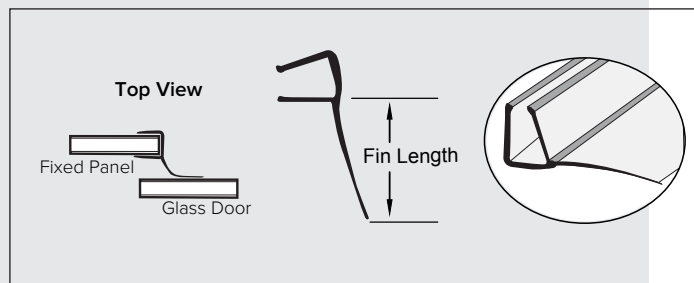
POLYCARBONATES STRIKE & DOOR JAMB FOR 180°
98" (2.49 m) STOCK LENGTHS

NO.	GLASS SIZE	SUGGESTED GAP
P3823	1/2" (12 mm)	3/16" (4.7 mm)



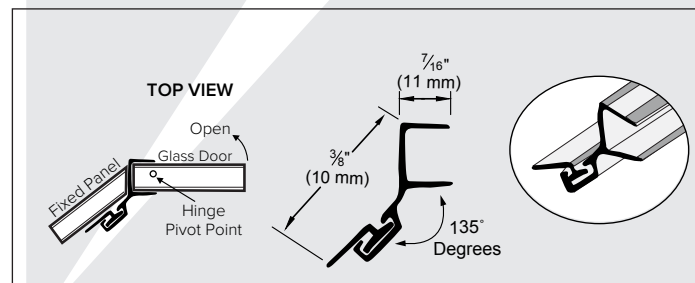
POLYCARBONATES "U" W/LEG AND SEAL FOR 90°
98" (2.49 m) STOCK LENGTHS

NO.	GLASS SIZE	SUGGESTED GAP
P3820	3/8" (10 mm)	3/16" (4.7 mm)



POLYCARBONATES "U" W/90° VINYL FIN SEAL
98" (2.49 m) STOCK LENGTHS

NO.	GLASS SIZE	LEG LENGTH
P3809	3/8 (10 mm)	1-1/8"
P1209	1/2 (10 mm)	1-3/8"



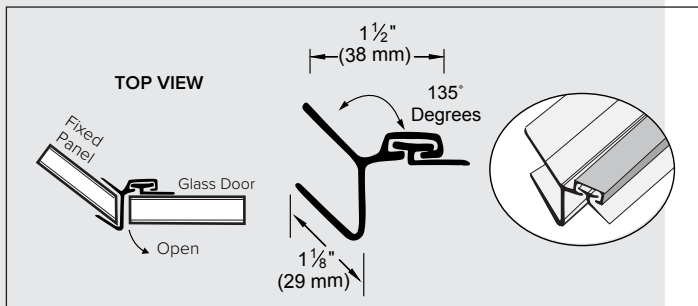
POLYCARBONATES DOOR JAMB FOR 135°
98" (2.49 m) STOCK LENGTHS

NO.	"A"	"B"	GLASS SIZE	SUGGESTED GAP
P3821	3/8" (10 mm)	7/16" (11 mm)	3/8" (10 mm)	3/16" (4.7 mm)

FINISH: CH = CHROME BN = BRUSH NICKEL ORB = OIL RUBBED BRONZE MB = MATTE BLACK

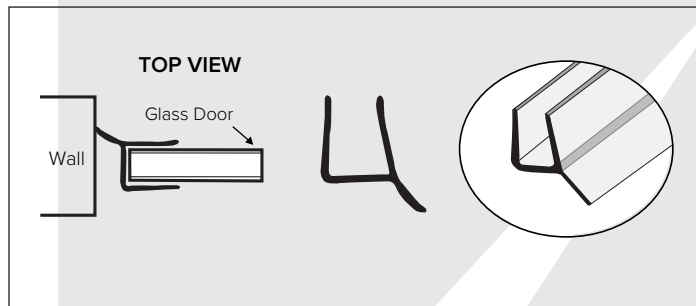
STANDARD & HEAVY SHOWER DOOR

VINYL & POLYCARBONATES



POLYCARBONATES STRIKE JAMB FOR 135°
98" (2.49 m) STOCK LENGTHS

NO.	"A"	"B"	GLASS SIZE	SUGGESTED GAP
P3822	1-1/2" (38 mm)	1-1/8" (29 mm)	3/8" (10 mm)	3/16" (4.7 mm)



MULTI PURPOSE "y" SEAL AND WIPE
98" (2.49 m) STOCK LENGTHS

NO.	GLASS SIZE	SUGGESTED GAP
P1405	1/4" (10 mm)	1/4" (6 mm)
P3805	3/8" (12 mm)	1/4" (6 mm)
P1205	1/2" (12 mm)	1/4" (6 mm)



GLASS WALL



GLASS ENTRANCE DOORS

FINISH: CH = CHROME BN = BRUSH NICKEL MB = MATTE BLACK SB = SATIN BRASS