

Deltana-Bolts

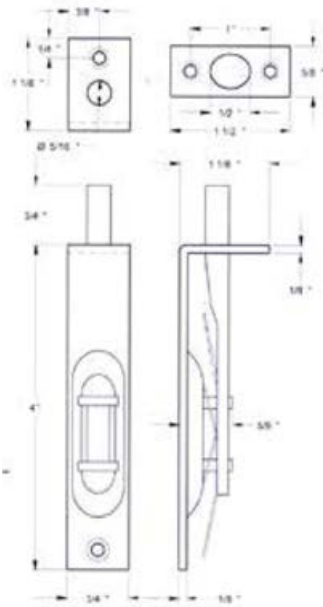
4FBS Series 4" Flush Bolt Square Corner

Specifications:

DIMENSIONS: 4"x3/4"x 1/8"
CORNER: SQUARE
BOX QTY: 10 PC
CASE QTY: 200 PC

Stocked Product

- Finishes: US3, 10B, 15, 15A



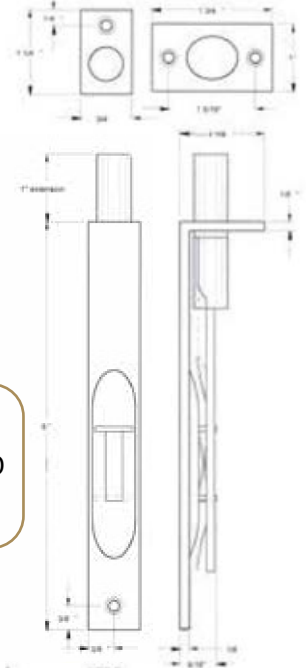
6FBS Series 6" Flush Bolt Square Corner

Specifications:

DIMENSIONS: 6"x3/4"x 1/8"
CORNER: SQUARE
BOX QTY: 5 PC
CASE QTY: 150 PC

Stocked Product

- Finishes: US3, 10B, 15, 26D
- Ives Equal# 262



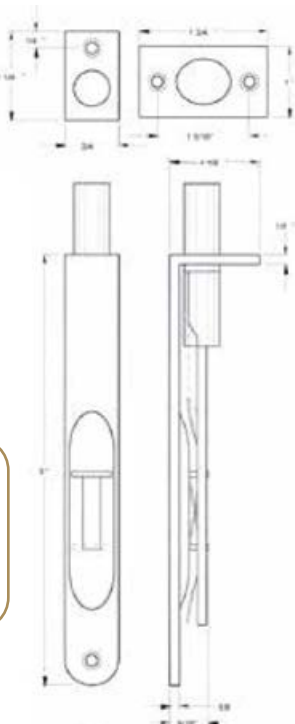
6FBR Series 6" Flush Bolt Radius Corner

Specifications:

DIMENSIONS: 6"x3/4"x 1/8"
CORNER: ROUND BOX QTY:
5 PC
CASE QTY: 150 PC

Stocked Product

- Finishes:
US3, 10B, 15, 19, 26, 26D
- Ives Equal# 265



7FBR Series 7" Heavy Duty, Solid Brass Radius Corner

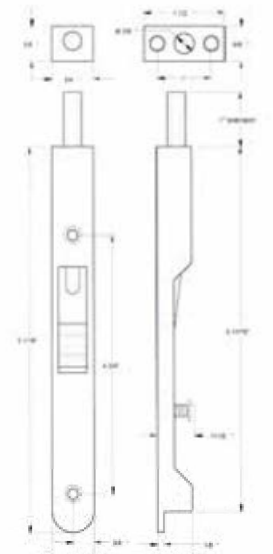
Specifications:

DESCRIPTION: 7" FLUSH BOLT
DIMENSIONS: 7"x 3/4"x1/8"
CORNER: ROUND
BOX QTY: 15 PC
CASE QTY: 150 PC

Stocked Product

- Finishes: US3, 10B, 15,
19, 26, 26D

Packaging: 1 flush bolt, #6 3/4" flat head Phillips screws, and 1 mortise strike packed in individual poly bag.



Deltana-Bolts

4SBCS & 6SBCS Series - Concealed Screw, Surface Bolts

Specifications:

Concealed screw surface bolts are packaged individually in poly bags. Strikes and screws are included and packed in separate poly bags.

Each concealed screw surface bolt is supplied with 3 strikes: Universal, Mortise, and Angle strike with matching solid brass Phillips's head screws.

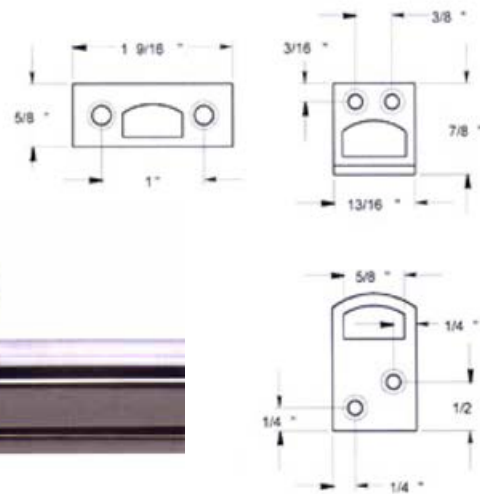
Knob diameter: 5/8"

Fully concealed screw design improves security and appearance.

The surface bolt is designed with a unique ball bearing tension system that holds the bolt in any position, prevents scratching of the bolt, and ensures a smooth sliding action.

Stocked Product

- 4SBCS 4" x 9/16": US3, 10B, 15, 15A, 26, 26D
- 6SBCS 6" x 9/16": 3, 10B, 15, 15A, 26, 26D
- Ives Equal# 40



6SB, 8SB, 12SB, 18SB Series - Surface Bolts, Heavy Duty, Solid Brass

Specifications:

Solid brass bolt includes solid brass guides.

Each surface bolt is supplied with 3 strikes: Universal, Mortise, & Angle strike with matching solid brass Phillips head screws.

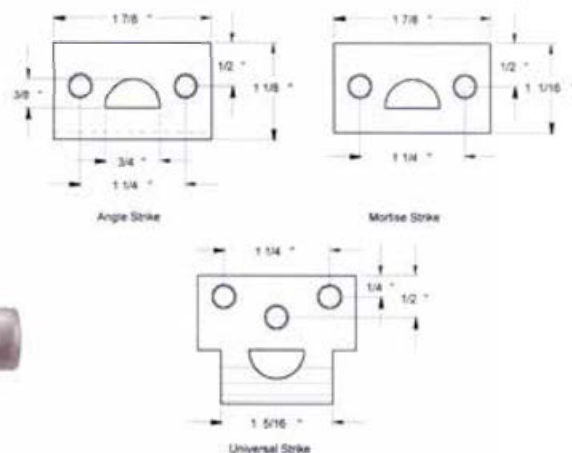
Rod resistance = 109 lbs.

Each strike and screws are individually-packed in poly bags.

Guides are held in place with a unique ball bearing system that eliminates scratches on the barrel of the bolt, prevents rattling of the bolt, holds the bolt in any position, and ensures a smooth sliding action.

Stocked Product

- 6SB 6" x 5/8": 10B, 15
- 8SB 8" x 5/8": 10B, 15
- 12SB 12" x 5/8": 10B, 15, 15A, US3
- 18SB 18" x 5/8": 10B, 15, 15A, US3
- Ives Equal# 253



Deltana-Bolts

DDB425 Series - 4" Dutch Door Bolts

Specifications:

SIZE: 4"x1 1/2"

BOX QTY.: 10 PC

CASE QTY.: 100 PC

CASE WEIGHT: 36 LB

- Solid brass bolt includes solid brass guides.
- Size: Width of bolt: 5/8" diameter half round rod
Width of guides: 1-1/2"
Diameter of knob: 1-15/16"
- Individually packed in poly bag with strike and matching screws.



Stocked Product

- Finishes: 3, 10B, 15, 26D

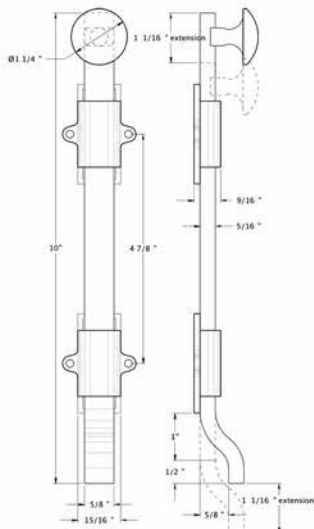
FPG10 Series - 10" Surface Bolt w/ Off-set, HD

Specifications:

ROD DIMENSIONS: 10" x 5/8"

BOX QTY.: 10 PC

CASE QTY.: 30 PC



Stocked Product

- Finishes: 10B, 15, 15A, 3

Deltana -Bumpers & Stops

MDH30 Series - Magnetic Door Holder/Stop 3", Solid Brass

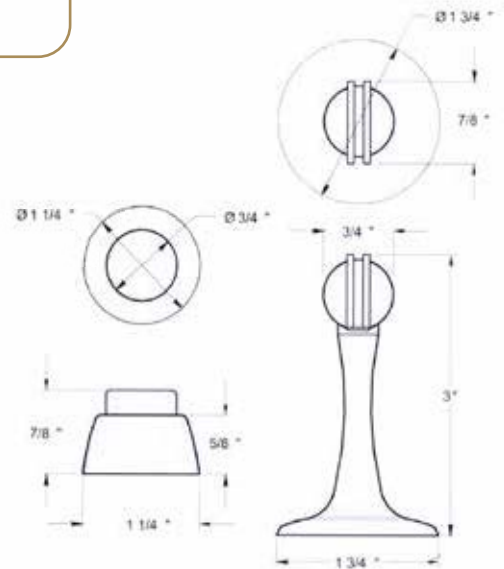
Specifications:

DESCRIPTION: MAGNETIC DOOR
 HOLDER 3" SB
 SIZE: 3"
 BOX QTY: 10 PC
 CASE QTY: 100 PC

Stocked Product

• Finishes: US3, 10B, 15, 26

Concealed screw
 mounting for an
 elegant installation.



MDH35 Series - Magnetic Door Holder/Stop 3-1/2", Heavy Duty Magnet

Specifications:

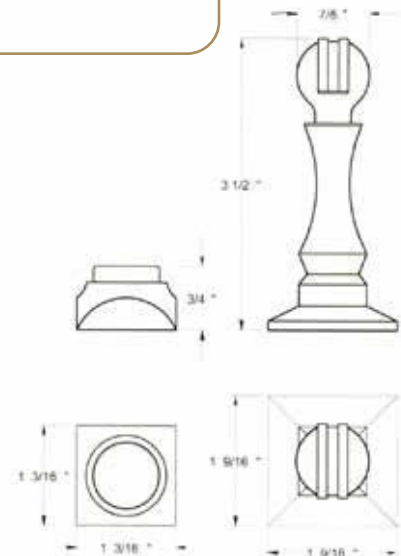
MAGNETIC DOOR
 HOLDER 3-1/2" SB
 SIZE: 3-1/2"
 BOX QTY: 5 PC
 CASE QTY: 50 PC

Stocked Product

• Finishes: US3, 10B, 15, 26

Receptor piece is
 spring-loaded to
 absorb shock.

Extra strong magnet for
 heavy duty doors and
 spring hinges.

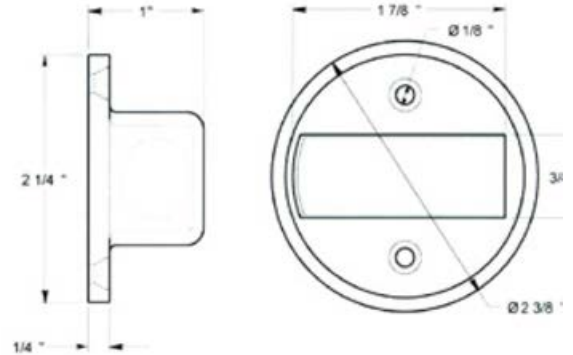


Deltana - Bumpers & Stops

MDHF25 Series - Magnetic Door Holder Flush 2-1/2" Diameter

Specifications:

BOX QTY: 10 PC
CASE QTY: 100 PC



Stocked Product

- Finishes: US3, 10B, 15, 26

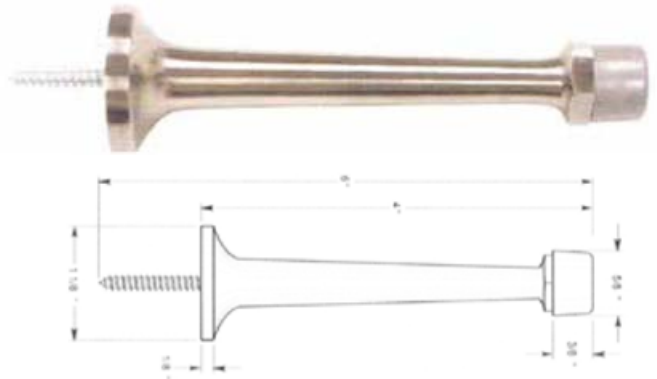
BDS425 Series - 4" Baseboard Door Bumpers, Solid Brass

Specifications:

PROJECTION 4"
BOX QTY: 10 PC
CASE QTY: 200 PC
CASE WEIGHT: 50 LB
INCLUDED: Packed in individual poly bag with two rubber tips.



Gray & white rubber tips included.



Stocked Product

- Finishes: US3, 10B, 15, 15A, 19, 26, 26D
- Ives Equal# 62MB

BDS30 Series - 3-1/4" Baseboard Door Bumpers, Solid Brass

Specifications:

PROJECTION: 3-1/4"
BOX QTY: 10 PC
CASE QTY: 200 PC
CASE WEIGHT: 60 LB
INCLUDED: Packed in individual poly bag with two rubber tips.



Gray & white rubber tips included.



Stocked Product

- Finishes: 3, 10B, 15, 15A 19, 26, 26D
- Ives Equal# 61MB

Deltana - Bumpers & Stops

SDS375 Series - 3 3/4" Baseboard Door Bumpers, Steel Spring, Heavy Duty

Specifications:

PROJECTION: 3-3/4"
BOX QTY: 50 PC
CASE QTY: 500 PC



Stocked Product

- Finishes: US3, 10B, 15, 26
- Ives Equal# 061

UFB4505 Series - Round Universal Floor Bumper Height 1-1/2"

Specifications:

DIAMETER: 1-1/8"
BOX QTY: 20 PC
CASE QTY: 120 PC
CASE WEIGHT: 49 LB
HEIGHT: 1-1/2"
INCLUDED: Packed in individual poly bag with mounting hardware .

Stocked Product

- Finishes: 10B, 15, 26, 26D



UFB5000 Series - Round Universal Floor Bumper Height 2"

Specifications:

DIAMETER: 1-1/8"
BOX QTY: 20 PC
CASE QTY: 100 PC
CASE WEIGHT: 54 LB
HEIGHT: 2"
INCLUDED: Packed in individual poly bag with mounting hardware .

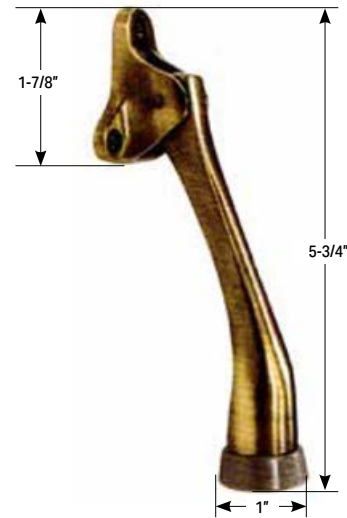
Stocked Product

- Finishes: 10B, 15, 26, 26D



Deltana - Bumpers & Stops

DHK5 Series - 5" Kick Down Holders, Solid Brass



Stocked Product

- Finishes: 3, 10B, 15, 26, 26D
- Ives Equal# FS452

DSM125 Series - Magnetic Dome Stop & Catch

With spring bumper and holder action and concealed screw mounting.

Specifications:

HEIGHT: 1-3/8"

BOX QTY: 10 PC

CASE QTY: 100 PC

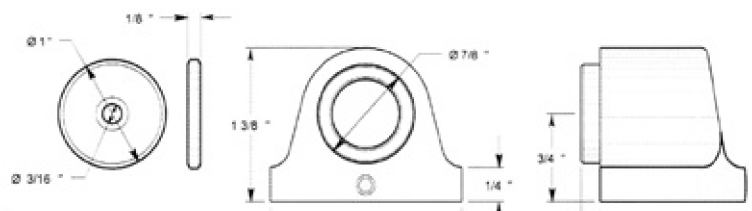
CASE WEIGHT: 31 LB

INCLUDED: Packed in individual poly bag with screws.



Stocked Product

- Finishes: 10B, 15, 19, 26, 26D



Deltana - Bumpers & Stops

HP70 Series - Hinge Pin Stops, Hinge Mounted

Specifications:

PROJECTION: 2-1/2" x 1-15/16"

BOX QTY: 30 PC

CASE QTY: 300 PC

CASE WEIGHT: 25 LB

INCLUDED: Packed in individual poly bag.



Stocked Product

- Finishes: US3, 10B, 15, 19, 26
- Ives Equal# 70

HPA69 Series - Adjustable Hinge Pin Stops, Hinge Mounted

Specifications:

PROJECTION: 2-1/2" x 1-15/16"

BOX QTY: 30 PC

CASE QTY: 300 PC

CASE WEIGHT: 25 LB

INCLUDED: Packed in individual poly bag.



Stocked Product

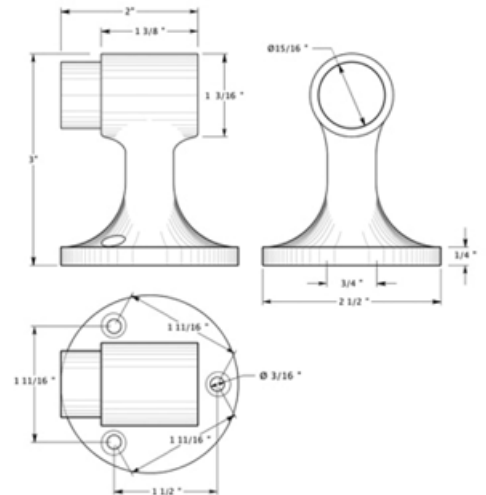
- Finishes: US3, 10B, 15, 19, 26, 26D
- Ives Equal# 69

Deltana - Bumpers & Stops

DSF3225 - Floor Mount, Bumper, HD

Specifications:

BOX QTY: 5 PC
CASE QTY: 50 PC
CASE WEIGHT: 48 LB
INCLUDED: Packed In Individual Poly Bag With Mounting Hardware.



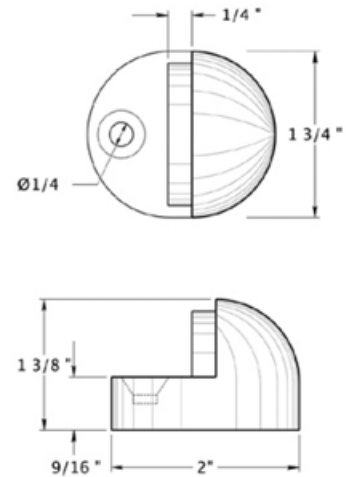
Stocked Product

Finishes: 3, 10B, 26D

DSHP916 - Dome Stop High Profile

Specifications:

BOX QTY: 10 PC
CASE QTY: 200 PC
CASE WEIGHT: 38 LB
INCLUDED: Packed In Individual Poly Bag With Mounting Hardware.



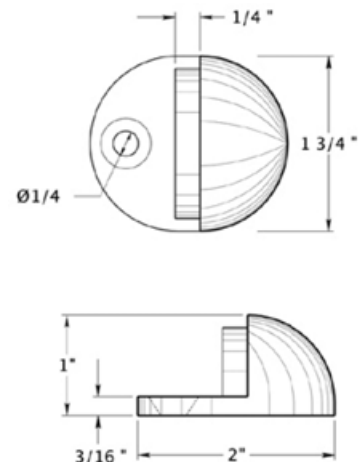
Stocked Product

Finishes: 3, 10B, 26D

DSL316 - Dome Stop Low Profile

Specifications:

BOX QTY: 10 PC
CASE QTY: 200 PC
CASE WEIGHT: 48 LB
INCLUDED: Packed In Individual Poly Bag With Mounting Hardware.



Stocked Product

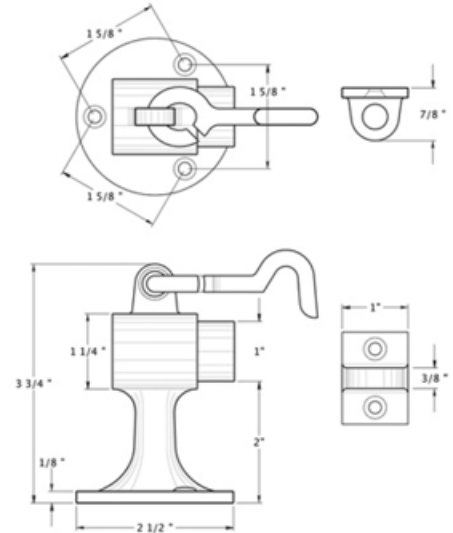
Finishes: 3, 10B, 26D

Deltana - Bumpers & Stops

SAHF358 - Floor Mount Bumper w/ Holder

Specifications:

BOX QTY: 5 PC
CASE QTY: 50 PC
CASE WEIGHT: 62 LB
INCLUDED: Packed In Individual Poly Bag With Matching Screws.



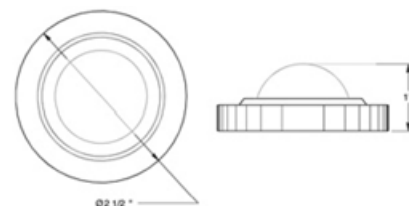
Stocked Product

Finishes: 10B, 26D

WBC238 - Convex Flush Bumper 2 3/8" Diameter

Specifications:

BOX QTY: 50 PC
CASE QTY: 150 PC
CASE WEIGHT: 40 LB
INCLUDED: Packed In Individual Poly Bag With Mounting Hardware.



Stocked Product

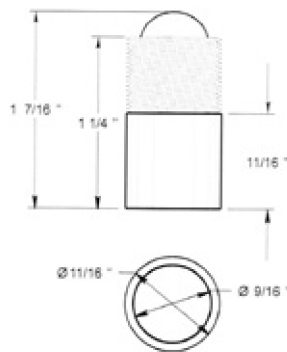
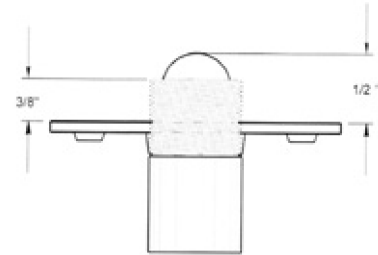
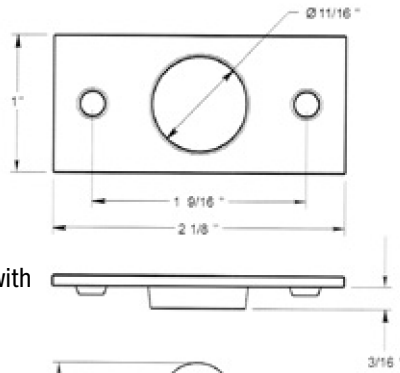
Finishes: 10B, 26D

Deltana - Catches

BC218 Series - Ball Catches, Solid Brass

Specifications:

SIZE: 2-1/8" x 1"
 STRIKE: 2-1/8" x 1-3/8"
 BOX QTY: 20 PC
 CASE QTY 200 PC
 CASE WEIGHT: 42 LB
 INCLUDED: Packed in individual poly bag with strike plate and matching screws.



Stocked Product

- Finishes: US3, 10B, 15, 19, 26, 26D
- Ives Equal# 347

BC218R Series - Ball Catch, Round Corners, Solid Brass

Specifications:

SIZE: 2-1/8" x 1"
 STRIKE: 2-1/8" x 1-3/8"
 BOX QTY: 20 PC
 CASE QTY: 200 PC
 CASE WEIGHT: 42 LB
 INCLUDED: Packed in individual poly bag with strike plate and matching screws.



Face of plate = 2 1/8" x 1"



Strike Plate = 2 1/8" x 1 3/8"

Stocked Product

- Finishes: 10B, 15
- Ives Equal# 349

Deltana - Catches

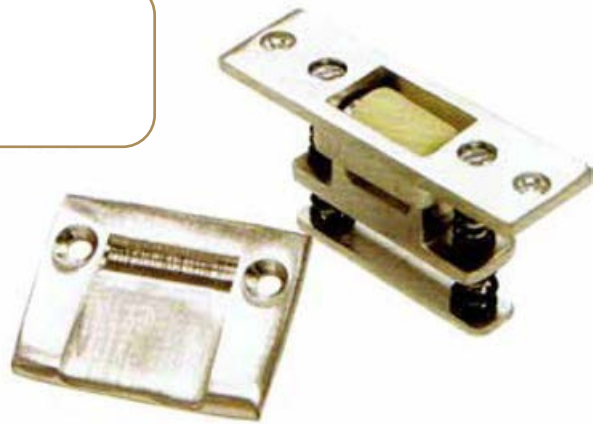
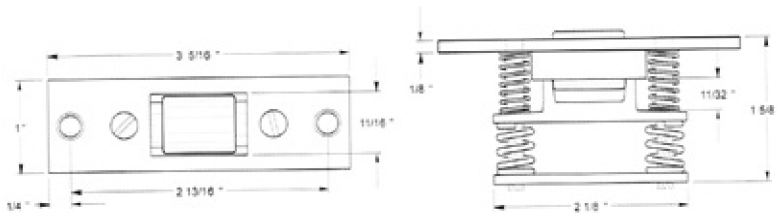
RCA430 Series - Heavy Duty, Roller Catches, Solid Brass

Specifications:

SIZE: 3-5/16" x 1"
 BOX QTY: 10 PC
 CASE QTY: 100 PC
 CASE WEIGHT: 56 LB
 INCLUDED: Packed with strike plate and matching screws.

Stocked Product

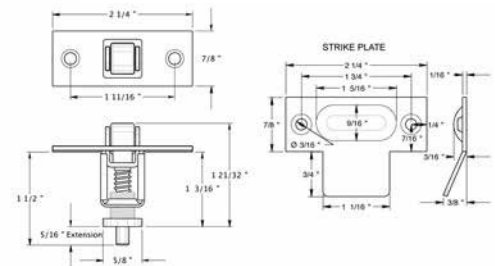
- Finishes: 10B, 15, 26D
- Ives Equal# RL30



RCA336 - Roller Catch

Specifications:

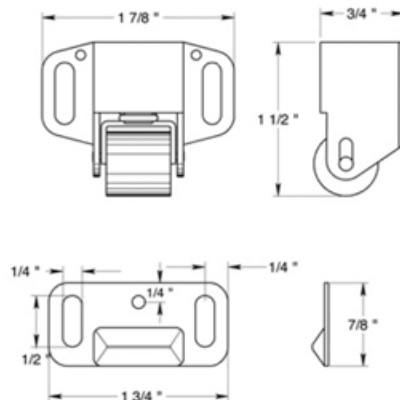
SIZE: 2-1/4" x 7/8"
 BOX QTY: 20 PC
 CASE QTY: 200 PC
 CASE WEIGHT: 46 LB
 INCLUDED: Packed with strike plate and matching screws.



Stocked Product

Finishes: 10B, 19, 26D, 3

RCS338 - Roller Catch, Surface Mounted



Stocked Product

Finishes: 10B, 15, US3

Deltana - Knobs & Pulls

FP221R Series

Specifications:

DESCRIPTION: ROUND
 DIMENSIONS: 2-1/8" DIAMETER
 BOX QTY: 50 PC
 CASE QTY: 500 PC
 CASE WT: 21 LB



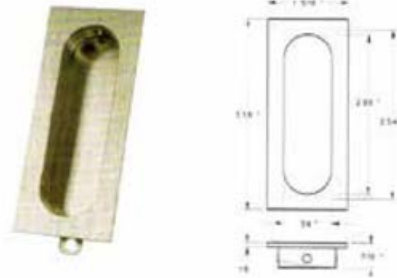
Stocked Product

- Finishes: US3, 5, 10B, 15, 15A, 19, 26, 26D
- Ives Equal# 221

FP222 Series

Specifications:

DESCRIPTION: RECTANGLE
 DIMENSIONS: 3-1/8" x 1-5/16" x 7/16"
 BOX QTY: 20 PC
 CASE QTY: 200 PC
 CASE WT: 30 LB



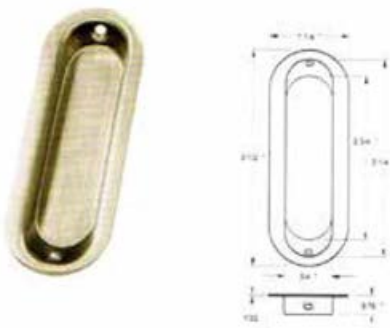
Stocked Product

- Finishes: US3, 10B, 15, 26, 26D
- Ives Equal# 222

FP223 Series

Specifications:

DESCRIPTION: OBLONG
 DIMENSIONS: 3-1/2" x 1-1/4" x 5/16"
 BOX QTY: 40 PC
 CASE QTY: 400 PC
 CASE WT: 21 LB



Stocked Product

- Finishes: US3, 10B, 15, 19, 26, 26D
- Ives Equal# 223

Deltana - Knobs & Pulls

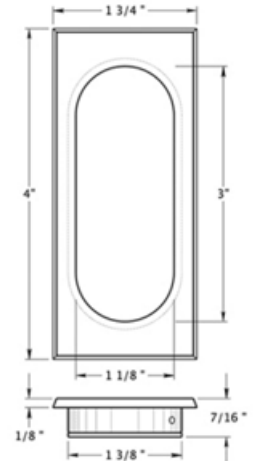
FP413 - Flush Pull

Specifications:

SIZE: 4" x 1 3/4" x 7/16"
BOX QTY: 20 PC CASE
QTY: 200 PC CASE
WEIGHT: 30 LB

Stocked Product

Finishes: 3, 10B, 15



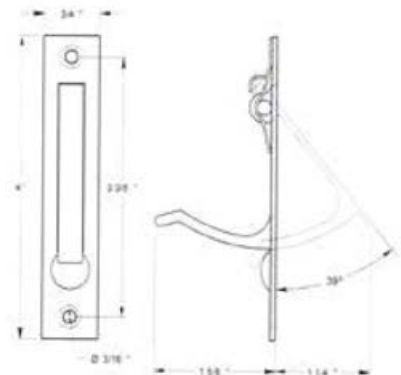
EP475 Series - Edge Pulls, Solid Brass

Specifications:

BOX QTY: 20 PC
CASE QTY: 200 PC
CASE WEIGHT: 40 LB
INCLUDED: Packed in individual poly bag.

Stocked Product

- Finishes: 3, 5, 10B, 15
- Ives Equal# 230



Deltana - Accessories

SDL688 Series - Screen Door Latch, Mortise Lock, Solid Brass

Specifications:

Mortise case: 1-7/8" x 2" x 21/32"
 Extruded brass escutcheon plates: 6" x 1-1/2"
 Face size: 3-1/4" x 3/4"
 Backset: 1-1/2"
 Door thickness range: 1" to 2"



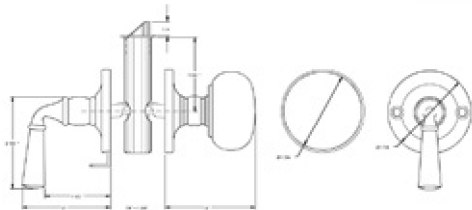
Stocked Product

• Finishes: 15

SDL980 - Storm Door Latch, Round, Tubular Lock

Specifications:

BOX QTY.: 1 PC
 CASE QTY.: 50 PC
 CASE WEIGHT: 35 LB
 DOOR THICKNESS: 7/8" - 1-3/8"
 HANDING: Reversible



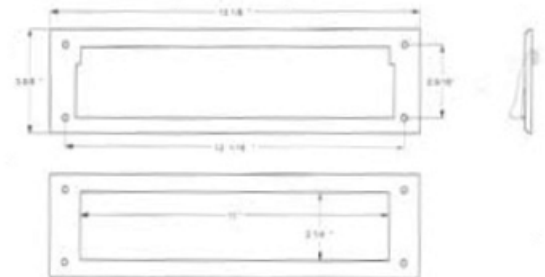
Stocked Product

Finishes: 10B, 15, 3

MS211 Series - Mail Slots, Solid Brass

Specifications:

SIZE: 3-5/8" x 13-1/8"
 BOX QTY: 1 PC
 CASE QTY: 25 PC
 CASE WEIGHT: 29 LB
 INCLUDED: Packed in individual poly bag with matching screws.



MSS005 - Mail Box Sleeve

Specifications:

SIZE: 11-1/2" x 2-3/4" x 1-3/4" depth
 BOX QTY: 5 PC
 CASE QTY: 30 PC
 INCLUDED: Packed in individual poly bag with mounting screws.

Compatible with MS211



Stocked Product

Item	Finish
MS211	3, 10B, 15, 19, 26
• Ives Equal# 620	
MSS005	US32D

Deltana - Accessories

DKV630 Series - Door Knocker - Viewer, 1800

Specifications:

SIZE: 6" x 3"
MOUNTING CENTERS: 3-3/4"
MAX DOOR THICKNESS: 1-3/4"
BOX WEIGHT: 1 LB
PACKAGING: 1 pc / box with glass lens viewer, 1" diameter, 9/16" bore shaft
CASE QTY: 100 PC
CASE WEIGHT: 42 LB

Stocked Product

• Finishes: US3, 10B, 15, 19,26



SDP25 Series - Sliding Door Pocket Locks, Solid Brass - Passage

Specifications:

SIZE: 2-1/2" x 2-3/4"
BOX QTY: 10 PC
CASE QTY: 50 PC
CASE WT: 44 LB



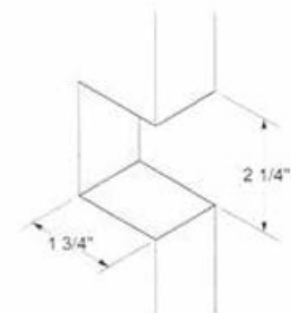
Stocked Product

• Finishes: 3, 5, 10B, 15, 15A, 26, 26D
• Ives Equal# 990

SDL25 Series - Sliding Door Pocket Locks, Solid Brass - Privacy

Specifications:

SIZE: 2-1/2" x 2-3/4"
BOX QTY: 10 PC
CASE QTY: 50 PC
CASE WT: 52 LB



Stocked Product

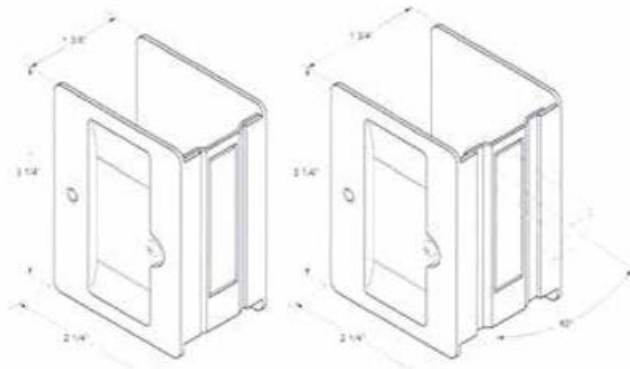
• Finishes: 3, 5, 10B, 15, 26, 26D
• Ives Equal# 991

Deltana - Accessories

SDPA325 Series - Heavy Duty Pocket Locks, Adjustable, Solid Brass - Passage

Specifications:

SIZE: 3-1/4" x 2-1/4"
 BOX QTY: 10 PC
 CASE QTY: 50 PC
 CASE WT: 56 LB



Stocked Product

• Finishes: US3, 10B, 15, 19, 26, 26D

SDLA325 Series - Heavy Duty Pocket Locks, Adjustable, Solid Brass - Privacy

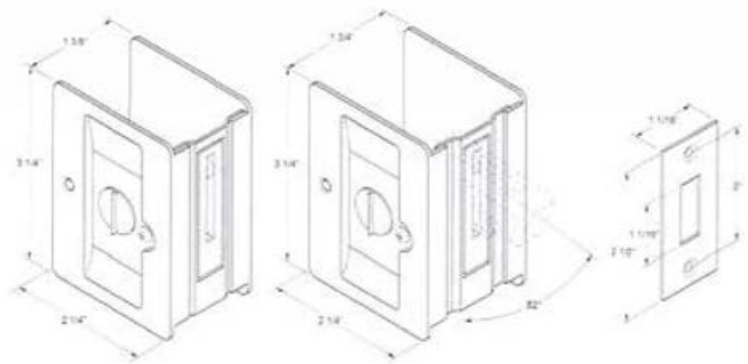
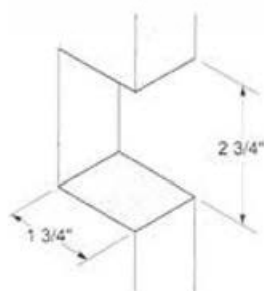
Specifications:

SIZE: 3-1/4" x 2-1/4"
 BOX QTY: 10 pc
 CASE QTY: 50 PC
 CASE WT: 62 LB
 Solid brass knob projection: 1-3/4"



Stocked Product

• Finishes: US3, 10B, 15, 19, 26, 26D



Deltana - Accessories

DASH95 Series - Spring Hinge, Double Action, Floor

Specifications:

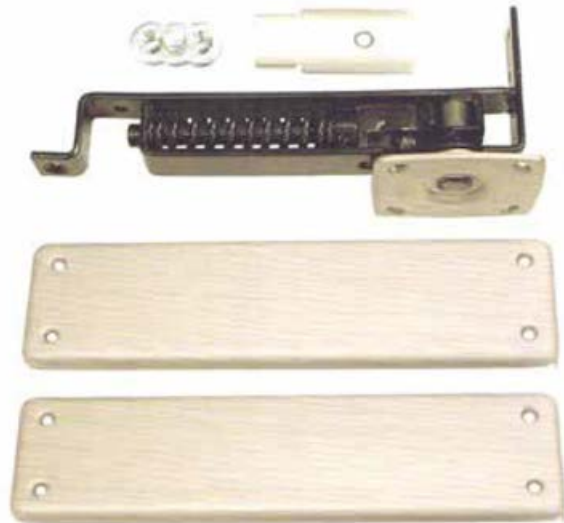
DOOR THICKNESS: 1-3/8" x 1-3/4"

BOX QTY: 1 PC

CASE QTY: 10 PCS

CASE WT: 40 LB

- Ball bearing
- Double-acting
- Holds open at approximately 90 degrees
- 90 LBS Load
- Adjustable tension Non-handed
- Packed one set per box with wood screws, side plates, back plate, and top pivot.



Stocked Product

DASH95

- **Finishes:** US3, 10B, 15, 26

JB DASH95 - Jamb Bracket only

- **Finishes:** US3, 10B, 15, 26

JB DASH95 Jamb Bracket



Remember. Jam Bracket is sold separately.

CF066 Series - Window Lock Casement Fastener, Solid Brass SMALL

Specifications:

SIZE: 1-5/8" x 7/8" , PROJ. 1-3/8"

BOX QTY.: 20 PC

CASE QTY.: 200 PC

CASE WEIGHT: 38 LB

INCLUDED: Packed in individual poly bag with three strikes and matching screws.



Stocked Product

- **Finishes:** US3, 10B, 15, 19, 26D
- **Ives Equal# 066MB**

Deltana - Accessories

CF66 Series - Window Lock Casement Fastener, Solid Brass MEDIUM

Specifications:

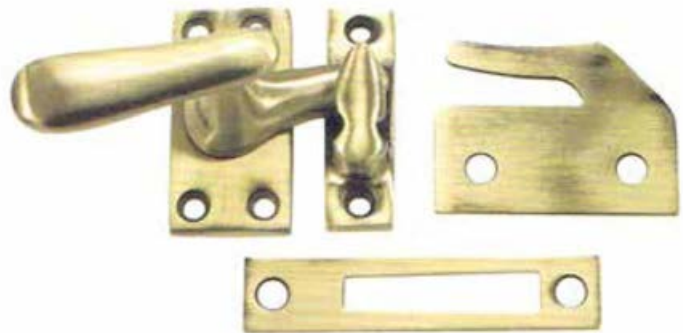
SIZE: 2-1/16" x 1-1/16", PROJ. 1-7/8"

BOX QTY.: 10 PC

CASE QTY.: 100 PC

CASE WEIGHT: 40 LB

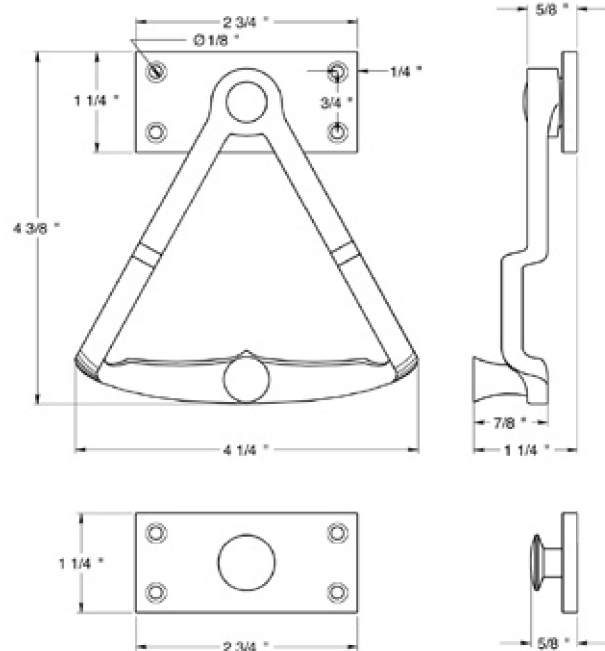
INCLUDED: Packed in individual poly bag with three strikes and matching screws.



Stocked Product

- Finishes: US3, 10B, 15, 26, 26D
- Ives Equal# 66MB

DDQ56 Series - Dutch Door Quadrant



Stocked Product

- Finishes: US3, 10B, 15

Deltana - Accessories

CSBP, DSBP - Ornate Hinges



Specifications:

BOX QTY.: 1 PR
CASE QTY.: 30 PR
CORNERS: SQUARE
THICKNESS: .168
WOOD SCREW: #12 x 1-1/4"
MACHINE SCREW: N/A

Stocked Product

Item#	Size	Finish
CSBP	4 X 4	US3
DSBP	4 X 4, 4.5 X 4.5	10B
DSBP	4 X 4	15

Deltana - Accessories

CSB66BB, DSB Series - Square Hinges

Deltana Solid Brass hinges come in an array of fine finish and maintain a superior finish due to its ability to resist oxidation.



DSB55B with 10B finish

Specifications:

BOX QTY: 1 PAIR

CORNERS: SQUARE

MACHINE SCREW: N/A

THICKNESS: 6 X 6	.205
4.5 X 6, 5 X 5	.145
4 X 6	.129



DSB4060U with 10B finish

Stocked Product

Item#	Size	Finish
DSB	4.5 X 6, 5 X 5, 6 X 6, 4 X 6	10B
DSB	5 X 5, 6 X 6	15
DSB	5 X 5	US3



DSB66BB with 15A finish