



1501 Primed
Full Light Doors
Shown Painted - Sold Primed

ABS POCKET DOOR FRAME COLLECTION



ABS STANDARD POCKET FRAME



Crafted with solid pine slats and optional solid pine finish jamb. The ABS Standard Pocket Frame is durable and features steel stiffeners. Designed to accommodate 1-3/8" or 1-3/4" doors up to 150 pounds.

Upgrade to our Super Duty Pocket Frame and increase door weight capacity up to 175 pounds with optional heavy-duty hardware that includes ball bearing rollers and aluminum stiffeners.

Both Standard and Super Duty Pocket Frames are available in 6/8, 7/0 and 8/0 heights and in pine, oak, fir, clear alder, mahogany, maple, cherry, and poplar. (See page 4 for images of available wood grains.*)

ABS SUPER DUTY POCKET FRAME



The ABS Super Duty Pocket Frame picks up where the Standard Pocket leaves off. It features both horizontal and vertical aluminum stiffeners and heavy-duty ball bearing hardware.

The track is fastened to the head jamb with threaded tee nuts for extra durability and smooth operation. It is available in both finger joint and solid pine and oak, fir and clear alder.

The Super Duty Pocket Frame is ideal for applications where superior durability and rugged construction is required.

ABS SUPER DUTY OSB POCKET FRAME

The ABS Super Duty OSB Pocket Frame with Oriented Strand Board Slats is the ultimate in pocket frame construction. It features all of the hardware and structural enhancements of the ABS Super Duty but also includes solid 3/4" x 16" OSB Stand Board slats on both sides. It includes the aluminum track and stiffeners, roller bearing hardware plus a 1/2" thick floorboard nailed flush to the bottom basket.

This Super Duty OSB Pocket Frame is ideal for commercial or industrial applications or anywhere a tough and long lasting pocket frame is required. Available in 6/8, 7/0 and 8/0 high designs and in solid and finger joint pine, oak, fir and clear alder.



CL400 MAGNETIC DOOR HARDWARE

CavitySliders

High Quality Sliding Door Hardware

The CL400 boasts the latest patented innovation from Cavity Sliders – a magnetically activated catch and plunger system.



CL400 Features Include:

- Architectural styling with a range of configurations and finishes.
- Patented magnetic latching and locking system for positive hold close.
- Suitable for use on timber doors from 1-3/8" to 1-3/4" thick.
- No on-site alteration of handle is required.
- Positive grip for heavy doors.
- Simple cutout and installation instructions.
- Moving parts sit flush until the door closes to minimize wear (no protruding striker).
- Reliable, high quality components.
- Suitable for pocket doors and barn slider style doors.

OPTIONAL UPGRADED TRACK SYSTEMS

Remember to specify the **Cavity Sliders Track and Carriages** with your ABS heavy / super duty pocket frames. Combined with the **CL400**, you can now offer the finest pocket package on the market.

Weight capacity options of 200 pounds and 500 pounds available.



1501 DF Shaker Sticking
Fir Grain Door
Finished in Field



FP-755
5-Panel Shaker Door
Shown Painted - Sold Primed

AVAILABLE FRAME WOOD GRAINS



ALDER



CHERRY



FIR



MAHOGANY



MAPLE



OAK



PINE



POPLAR



Not all species
available at all
ABS locations.

ABS LOCATIONS

ABS Dallas

350 Northpoint Drive
Coppell, TX 75019
p. (469) 322-8100
f. (469) 322-8122

ABS Denver

15025 Florence St
Suite D
Denver, CO 80238
p. (866) 879-4145
f. (866) 904-1172

ABS Pheonix

4635 W. McDowell Rd.
Pheonix, AZ 85035
p. (602) 415-6528
f. (602) 415-6520

ABS Los Angeles

120 South Cedar Ave.
Rialto, CA 92376
p. (909) 879-8730
f. (909) 879-8705

ABS Sacramento

6300 South Watt Avenue
Sacramento, CA 95829
p. (916) 386-4320
f. (916) 386-4321



For more information on America Building
Supply products and services, please visit:

www.abs-abs.com



CavitySlider™ Pocket Frame



Available from ABS at the following locations:

120 South Cedar Avenue
Rialto, CA 92376
Phone: (909) 879-8700
Fax: (909) 879-8701

6300 S. Watt Avenue
Sacramento, CA 95829
Phone: (916) 379-4200
Fax: (916) 379-4285

350 Northpoint Drive
Coppell, TX 75019
Phone: (469) 322-8100
Fax: (469) 322-8122

5025 Florence Street, Suite D
Denver, CO 80238
Phone: (303) 576-9200
Fax: (303) 576-9222

The **CS Cavity Slider™** is a practical solution for those areas where there is not enough space for a swinging door. Unlike other pocket systems, the CS Cavity Slider™ is structurally robust due to its construction from aluminum extrusions.

This product is supplied as a kitset and is easy to assemble and install. The pocket frame accommodates 1-3/8" and 1-3/4" doors (35 & 44.5mm) up to 4'0" x 8'0" (1220 x 2438mm) and can be cut down to size on site.

The CS Cavity Slider™ is suitable for residential and commercial projects as it meets Type 1 construction code without any combustible materials. In addition to its space saving attributes in restrooms, hallways and laundries, it can be used with confidence for architectural feature openings around your project.



CS Cavity Slider™ with glazed aluminum door and CL100 ADA LaviLock handle.

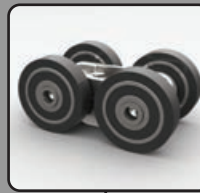


Bi-Parting CS Cavity Slider™ with glazed doors & CL200 handles.



CS Cavity Slider™ kitset box.

CS CavitySlider™ Features



Smooth running carriages with encased ball bearings. Up to 500lb (240kg) capacity

CS SofStop®
Soft Close/Soft Open also available



Corner joining brackets ensure precise right angled assembly



Extruded aluminum track incorporated into head unit

Split Jambs and slats use hollow core technology for superior rigidity

Door Thickness 1-3/8" or 1-3/4" (35 or 44.5mm)

Horizontal slats for added strength

Strong aluminum frame complies with Type 1 Construction



T-joining brackets for easy assembly of slats to split jambs & back stud



Trim Clips for quick & easy trim fitting

Compatible with 3-1/2" and 3-5/8" wood or steel stud

Bottom plate assembly



Adjustable T-Guide

Patent Pending



Cycle tested 1 million openings



ADA compliant



Available with SofStop®



Single or Bi-Parting units

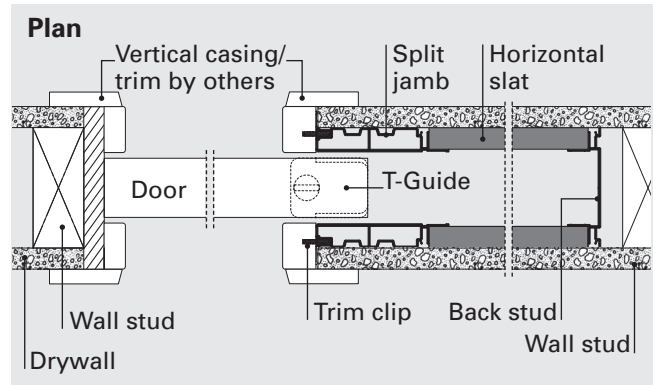
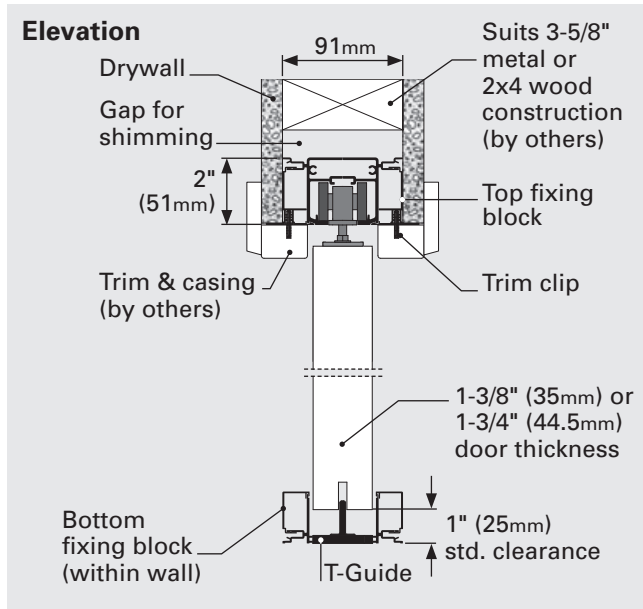


Maximum door weight

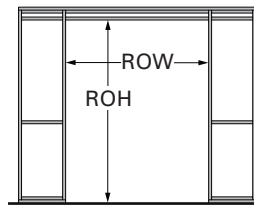


Easy assembly

CavitySlider™ Technical Info



Rough Opening



DH = Door Height
DW = Door Width

Standard CS Track Features

Our engineers focus on constantly developing new products and refining existing ones. That's why our products come with a number of unique features:

- 1 Heavy duty one-piece extruded aluminum track.
 - 2 Minimal clearance means the carriages/wheels cannot jump off the track or jam.
 - 3 Large diameter wheels with precision ground bearings make for smooth running.
 - 4 Radiused track reduces friction and allows dust to be pushed into the gutters so the door always slides smoothly.
 - 5 M8 body made from cast stainless steel for strength and reliability. 4-wheel carriages are standard on all doors over 200lb.
 - 6 CarriSnap™ quick release system allows the door to be removed easily from the track; no need to unscrew anything and lose door height adjustment.
-

How to Order

1. **Choose Size:** Frames can be cut down on site. Maximum size for each model shown below:

ABS Model	Door Size
13400	2'0" x 6'8"
13402	2'4" x 6'8"
13404	2'6" x 6'8"
13406	2'8" x 6'8"
13408	3'0" x 6'8"

ABS Model	Door Size
13412	2'4" x 8'0"
13414	2'6" x 8'0"
13416	2'8" x 8'0"
13418	3'0" x 8'0"
13419	4'0" x 8'0"

2. **Choose a carriage pack** (one per door) (includes carriages, mounting plates, T-Guide, fixing screws and adjusting wrench) Packs are available with 0, 1 or 2 track stops.

Standard	M6 (200lb)	
	M8 (500lb)	
SofStop® Single Soft Close	Minimum Door Width	
	Single	Bi-Parting
▲ 0 - 176 lb	25"	28"
▲ 176 - 264 lb	28"	31"
SofStop® Twin	Single	Bi-Parting
	▲ 0 - 176 lb	33"

© All copyright and other property in this document is reserved by Cavity Sliders USA Inc. Details and specifications are subject to change without notice. Whilst all care is taken to ensure the accuracy of all information, no responsibility will be accepted for any errors or omissions. CS Cavity Slider. 61213 - 02.2020

www.cavitysliders.com

High quality frames made in USA



T (888) 466 0030
F (310) 769 5824
E info@cavitysliders.com

Cavity Sliders USA Inc.

548 Finney Ct
Gardena
CA 90248

Another quality product from:

CavitySliders™
The Pocket Door Experts