

# Von Duprin

## 22 - Rim Device

22 rim device for all types of single and double doors with mullion, UL listed for accident hazard installations. Covers stock hollow metal doors with 161 cutouts. Fits door stiles as narrow as 3-13/16" (97mm),.



### Features

- Non-handed
- Latch bolt deadlocking
- Field sizeable
- Hex key dogging
- 3/4" (19mm) throw latch bolt
- 299 strike included

### Dimensions

Touchbar height to finished floor	39-13/16" (1011mm) at center
Touchbar projection	
neutral	3-3/4" (95mm)
depressed	3" (76mm)
Center case	4-3/16" x 2-3/8" x 2-3/4" (106mm x 60mm x 70mm)
Device length short 3' (914mm)	2'6" to 3' (762mm to 914mm) door size
long 4'	3'1" to 4' (940mm to 1219mm) door size

## 22-F - Fire Exit Device

22-F fire exit rim device for all types of 4' x 8' (1219mm x 2438mm) single doors and 8' x 8' (2438mm x 2438mm) double doors with 9854 or 9954 mullion, UL listed for up to 3 hour fire labeled installations. Fits door stiles as narrow as 4-3/8" (111mm)

### Features

- Non-handed
- Latch bolt deadlocking
- Field sizeable
- 3/4" (19mm) throw latch bolt
- 299 strike included

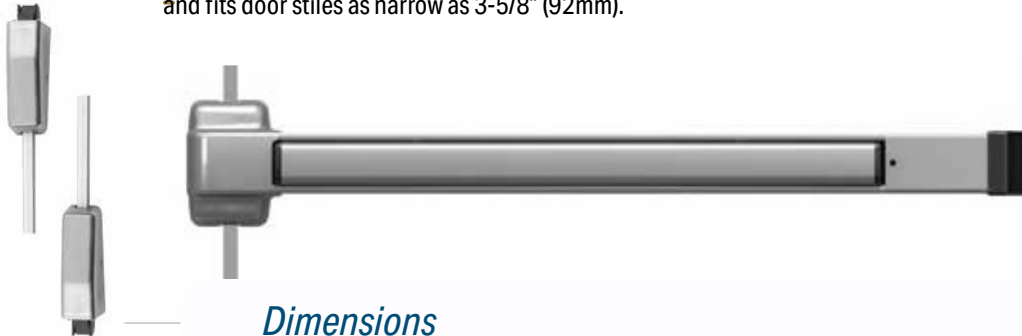
### Stocked Product

- 22EO 3' and 4' SP28, SP313
- 22EOF 3' and 4' SP28, SP313

## Von Duprin

### 2227 - Surface Mounted Vertical Rod Device

2227 surface mounted vertical rod device for all types of single or double doors, UL listed for accident hazard installations. Covers stock hollow metal doors with 161 cutout and fits door stiles as narrow as 3-5/8" (92mm).



#### Dimensions

Touchbar height to finished floor	39-13/16" (1011mm) at center
Touchbar projection	
neutral	3-3/4" (95mm)
depressed	3" (76mm)
Center case	4-3/16" x 2-3/8" x 2-3/4" (106mm x 60mm x 70mm)
Device length short 3' (914mm)	2'6" to 3' (762mm to 914mm) door size
long 4'	3'1" to 4' (940mm to 1219mm) door size
Top & bottom latch case	4-1/2" x 2-1/8" x 1-1/2" 114mm x 54mm x 38mm
Vertical rods	1/2" (13mm) square tubing

#### Features

- Non-handed
- Latch bolt deadlocking
- Field sizeable
- Hex key dogging
- 5/8" (16mm) throw latch bolt

### 2227-F - Surface Mounted Vertical Rod Device

2227-F surface mounted vertical rod device for all types of 8' x 8' (2438mm x 2438mm) double doors, UL listed for use on up to 3 hour fire labeled installations. Fits door stiles as narrow as 3-5/8" (92mm)

#### Features

- Non-handed
- Latch bolt deadlocking
- Field sizeable
- 5/8" (16mm) throw latch bolt

#### Stocked Product

2227EO 3' X 7' and 4' X 7'	SP28, SP313
2227EOF 3' X 7'	SP28, SP313

## Von Duprin

### 22 SERIES - Trim (All trim less cylinder)



**210DT** 10 gauge stainless steel escutcheon dummy pull



**210NL** 10 gauge stainless steel escutcheon pull trim (Rim cylinder not included)



**230DT** Stamped 10 gauge steel dummy pull handle



**230NL** 10 gauge stainless steel escutcheon. NL function specify (Rim cylinder not included)

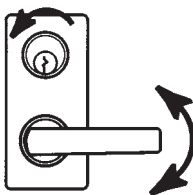


**230TP** Heavy 10 gauge steel thumb piece trim (1-1/4" Mortise cylinder not included)



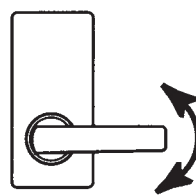
**230L** Lever trim has a cast aluminum 3/4" depth escutcheon 06 trim standard (pictured) standard operator key locks unlocks lever (1-1/4" Mortise cylinder not included)

**230L**



Standard Operation, key locks and unlocks lever. (1-1/4" Mortise cylinder not included)

**230L-BE**



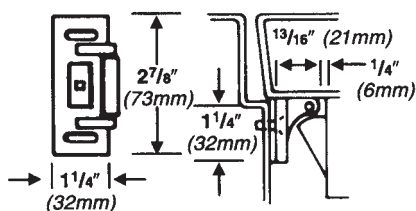
Blank escutcheon, lever always active. Use BE suffix, e.g., 230L-BE. **not included**

#### Stocked Product

210DT	Sprayed Aluminum and Dark Bronze
210NL	
230DT	
230L-BE	
230L	
230NL	
230TP	

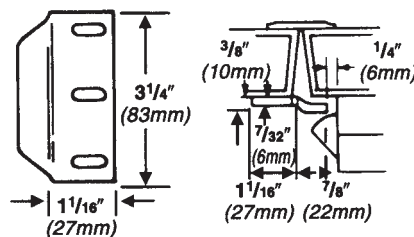
### STRIKE FOR 22 SERIES

299



Projection 13/16" (21mm)

1609



For rim / vertical rod combination - not fire rated

#### Stocked Product

1609	19, 26D
299	Black, 26D

## Von Duprin

### 22 ALK - Exit Alarm Kit (supplied less cylinder)

The 22ALK battery alarm kit is a simple yet effective way to monitor the use of an exit device. While still a means of egress, the unit contains an internal horn. When the touchbar is depressed, the horn sounds to provide an audible means of signaling that the opening has been violated. The key switch uses a standard 1-1/4" (32mm) mortise cylinder. The unit operates on one standard 9-volt transistor battery. When the battery is weak the horn will emit an intermittent signal. Alarm kits are available with a choice of two switch kits, S1 or S2. S1 monitors the touch pad and is furnished standard. S2 optional latchbolt monitoring is recommended for use with surface vertical rod exit devices. Specify ALK-S2 special order.

#### Minimum Door Sizes

Device	3' (914mm) Length	4' (1219mm) Length
22 / 22-F	29" (832mm)	3'3" (989mm)
2227 / 2227-F	2'8" (813mm)	3'2" (965mm)



#### Stocked Product

22 ALK      Sprayed Aluminum

### 22 Series - Parts



900894 Tail Piece and Guide



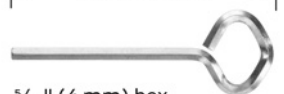
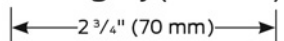
971974 Locking Nut



22EXT36 Extension Rods

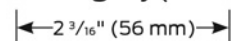
#### Dog keys

**227 Dog key (standard)**



5/32" (4 mm) hex

**222 Dog key (old style)**



7/32" (6 mm) hex

#### Stocked Product

900894 Tail Piece and Guide

971974 Locking Nut

222      7/32" Hex Key

227      5/32" Hex Key

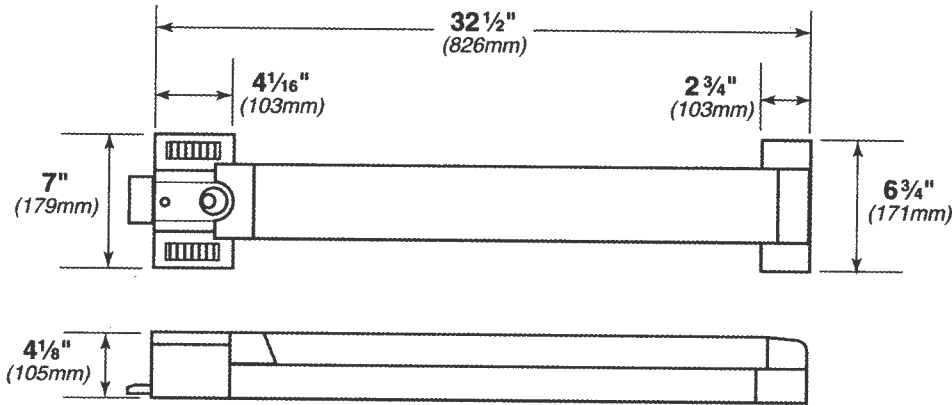
22EXT36 36" Extension Rod in Aluminum or Dark Bronze

## Von Duprin

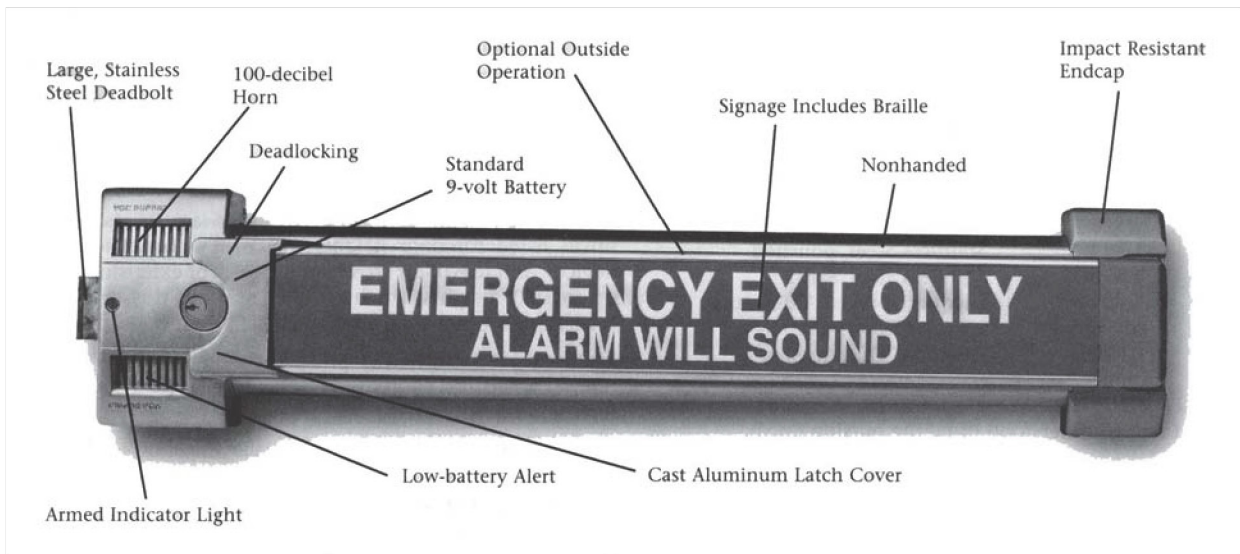
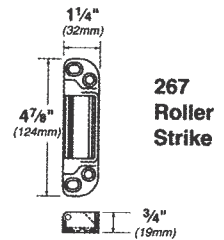
### 2670 GUARD - Exit Alarm (supplied less cylinder)

#### Dimensions

##### Exit Alarm Lock



##### Strike



#### Features

- Complies with NFPA101 life safety
- UL Listed for panic exit hardware ANSI A156.3 Grade 1
- Armed and unarmed by using standard rim cylinder (not supplied)
- Non handed
- Recommended exterior trim 210DT or 230DT

#### Stocked Product

US28 Aluminum

## Von Duprin

### 33A - Rim Exit Device

33A rim devices for all types of single and double doors with mullion, UL listed for Panic Exit Hardware. Fits door stiles as narrow as 1 3/4" (44mm).



1439 Roller

#### Features

- Non-handed
- Field sizeable
- 3/4" (19mm) molydag® coated latch bolt
- Hex key dogging
- Latch bolt deadlocking
- One piece center case cover

#### Strikes and Fasteners

Device is furnished standard with 1439 roller strike in dull black finish. Sex bolts are furnished for standard mounting on 1 3/4" (44mm) and 2 1/4" (57mm) thick doors.

#### Dimensions

Pushpad height to finished floor	39 13/16" (1011 mm) at center
Pushpad projection —	
neutral	3 13/16" (97 mm)
depressed	3 1/16" (78 mm)
Center case	8 3/16" x 2 13/32" x 1 9/16" (208mm x 62mm x 40mm)
Device length —	
Short 3' (914mm)	2'6" to 3' (762mm to 914mm) door size
Long 4' (1219mm)	3'1" to 4' (940mm to 1219mm) door size

#### Stocked Product

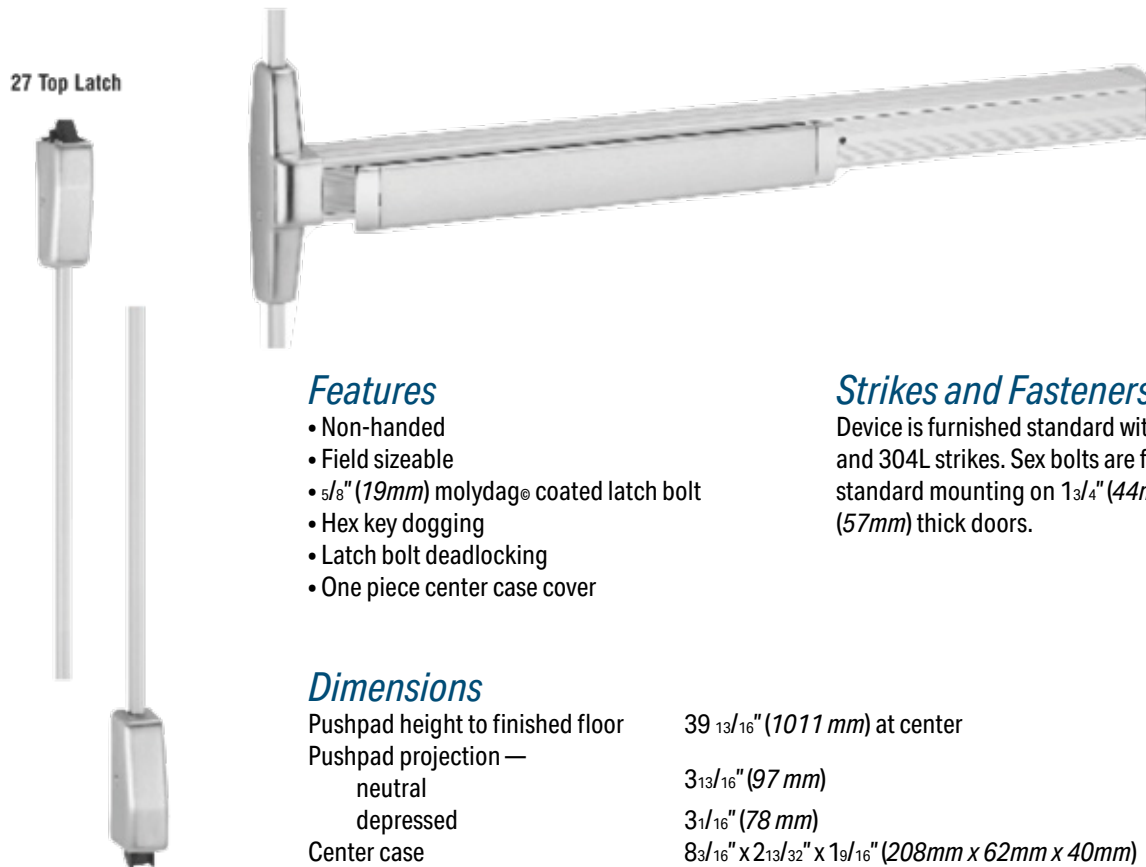
33AEO 3'

US28, 313, 26D

## Von Duprin

### 3327A - Surface Mounted Vertical Rod Device

3327A surface mounted vertical rod devices for all types of single and double doors.  
UL listed for Panic Exit Hardware. Fits door stiles as narrow as 1 3/4" (44mm).



#### Features

- Non-handed
- Field sizeable
- 5/8" (19mm) molydag® coated latch bolt
- Hex key dogging
- Latch bolt deadlocking
- One piece center case cover

#### Strikes and Fasteners

Device is furnished standard with 266, 248L-4 and 304L strikes. Sex bolts are furnished for standard mounting on 1 3/4" (44mm) and 2 1/4" (57mm) thick doors.

#### Dimensions

Pushpad height to finished floor	39 13/16" (1011 mm) at center
Pushpad projection —	
neutral	3 13/16" (97 mm)
depressed	3 1/16" (78 mm)
Center case	8 3/16" x 2 13/32" x 1 9/16" (208mm x 62mm x 40mm)
Device length —	
Short 3' (914mm)	2'6" to 3' (762mm to 914mm) door size
Long 4' (1219mm)	3'1" to 4' (940mm to 1219mm) door size
Top and bottom latch case	4 1/2" x 2 1/8" x 1 1/26" (117mm x 48mm x 38mm)
Vertical Rods	1/2" (13 mm) square tubing
Undercut	1/4" (7 mm) maximum



266

Top Strike



248L-4

Bottom Strike  
for use with  
Threshold



304L

Bottom Strike

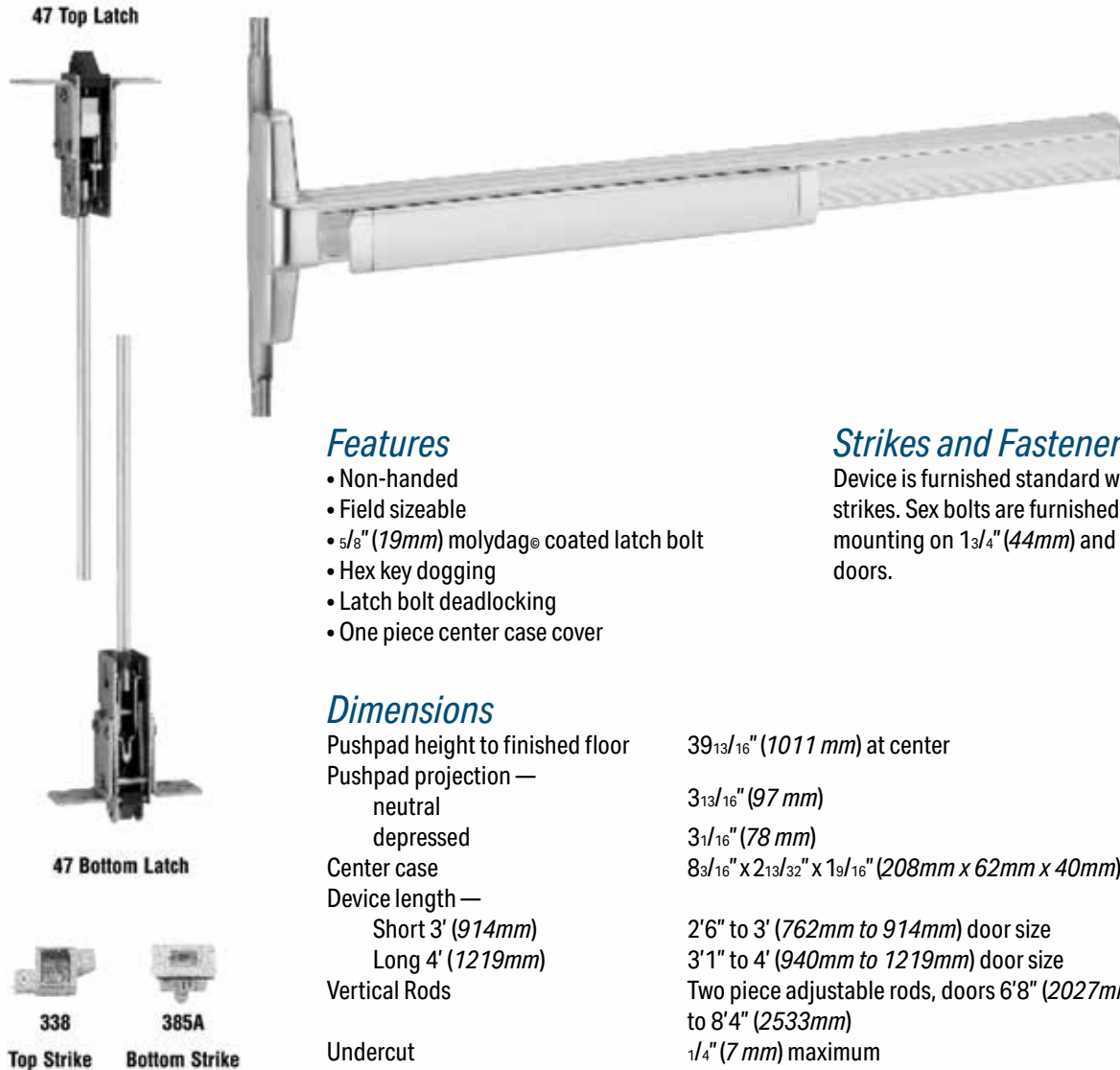
#### Stocked Product

3327AEO 3'x7' US28, 313

## Von Duprin

### 3347A - Concealed Vertical Rod Device

3347A concealed vertical devices for all types of single and double doors with mullion, UL listed for Panic Exit Hardware. Fits door stiles as narrow as 1 3/4" (44mm) (wood door stile as narrow as 4").



#### Features

- Non-handed
- Field sizeable
- 5/8" (19mm) molydag® coated latch bolt
- Hex key dogging
- Latch bolt deadlocking
- One piece center case cover

#### Strikes and Fasteners

Device is furnished standard with 338 and 385A strikes. Sex bolts are furnished for standard mounting on 1 3/4" (44mm) and 2 1/4" (57mm) thick doors.

#### Dimensions

Pushpad height to finished floor	39 13/16" (1011 mm) at center
Pushpad projection —	
neutral	3 13/16" (97 mm)
depressed	3 1/16" (78 mm)
Center case	8 3/16" x 2 13/32" x 1 9/16" (208mm x 62mm x 40mm)
Device length —	
Short 3' (914mm)	2'6" to 3' (762mm to 914mm) door size
Long 4' (1219mm)	3'1" to 4' (940mm to 1219mm) door size
Vertical Rods	Two piece adjustable rods, doors 6'8" (2027mm) to 8'4" (2533mm)
Undercut	1/4" (7 mm) maximum

#### Stocked Product

3347AEO 3'x7' US28, 313



# Von Duprin

## 33A Series - Trim (All trim supplied less cylinder)



**386DT**  
Dummy Trim



**360L**  
Standard operation  
key locks or  
unlocks lever  
(Mortise cylinder  
1-1/4" not included)



**360LBE**  
With 06 lever  
Blank Escutcheon  
Always Active  
Use BE Suffix.

### Stocked Product

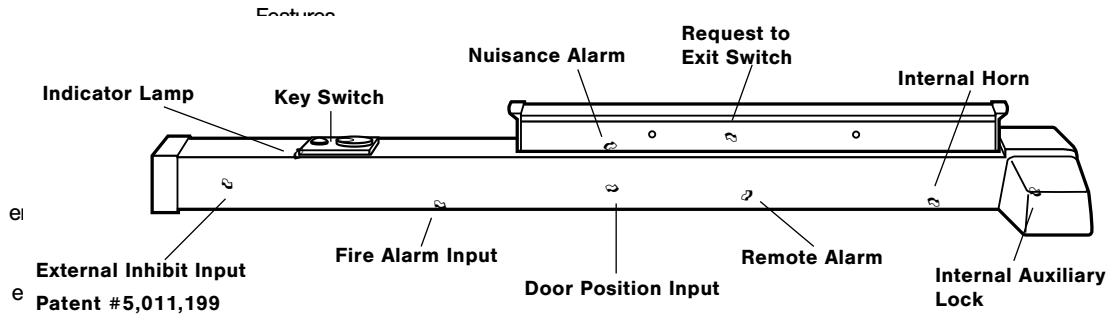
Part #	Cylinder Required	Function	Finishes
386DT	No Cylinder Required	Dummy	26D, 10B
360L	Mortise Cylinder 1-1/4"	Entry Mortise	26D, 10B
360L BE	None	Entry Blank Outside	10B, 26D

**All lever trim stocked with 06 Lever**

## Von Duprin

### CX99 Device

CX99 rim devices for all types of single doors and double doors with mullion, UL listed for accident hazard installations. Covers stock hollow metal doors with 86 or 161 cutouts.



### Features

- Nonhanded
- Field sizeable
- 3/4" (19mm) throw, latch bolt
- Latch bolt deadlocking

### Stocked Product

CX99EO 3' 26D, 313  
CX99EO 4' 26D



299

### Strikes And Fasteners

Device is furnished with standard 299 strike in dull black finish

### Dimensions

Touchbar height to finished floor 39-13/16" (1011mm) at center  
Touchbar projection neutral 3-13/16" (97mm) depressed 3-1/16" (78mm) Center case 8" x 2-1/4" x 2-3/4" (203mm x 57mm x 70mm) Device length Short 3' (914mm) 2'10" to 3' (864mm to 914mm) door size Long 4' (1219mm) 3'4" to 4' (1016mm to 1219mm) door size

### Factory Definable Delay Time

Most jurisdictions allow 15 seconds of delay before allowing egress. In those cases where 15 seconds is not appropriate, Von Duprin can set the Chexit for any delay time between 0 and 60 seconds on 2 second increments. For delays greater than 15 seconds a letter from the local authority is required.

**Request to Exit Switch** is built into the device to detect when someone attempts to exit. Applying less than 15 pounds to the push pad when the device is armed will cause this switch to start an irreversible alarm cycle.

**Nuisance Alarm** — When a Chexit is located in a public area, it can be desirable to limit false alarms. If the Nuisance Audible and Nuisance Delay options are set to off, the device will go into alarm as soon as the push pad is touched (when armed). Turning the Nuisance Delay on will require the push pad to be pressed for 2 seconds before the Chexit goes into alarm. If the Nuisance Audible and Nuisance Delay are both on, the alarm will sound as soon as the push pad is pressed, but the alarm sequence will stop unless the push pad is held for 2 seconds or more.

**Remote Alarm** — A set of relay contacts (rated 1 ampere, 24 VDC) are provided to give external alarm indication. These contacts close when the device is in an irreversible alarm condition (If Nuisance Audible is enabled, they will not close until the push pad has been held for more than 2 seconds). These contacts can be used to drive a horn, lamp, or other indicative device.

**Key Switch** — The Key Switch provides the means to arm, disarm, or reset the Chexit. The key can be removed in either the Arm or Disarm position. In cases where the key switch is not used for controlling the device, a blank cylinder can be used.

**Indicator Lamp** — The status of the Chexit can be determined by the Indicator Lamp. A masked bezel design provides wide angle viewing in any lighting condition. When the lamp is off, this indicates the device is disarmed and is functioning as a normal exit device (no delay). A continuously on lamp indicates the device has just been armed and as soon as the selectable rearm timer expires, the device will arm. A slow flashing lamp indicates the device is armed. A fast flashing indicator lamp indicates the device is in alarm.

**Internal Horn** — Whenever the device is in alarm or the push pad is pressed the internal horn will sound. The volume level of this horn exceeds 85 db at 6 feet. The user can select whether or not this horn sounds during a fire alarm condition.

**Door Position Input** — An external door position switch can be connected to the Chexit. Doing this gives added security to the opening and is recommended. If a door position switch is used, it will cause the alarm to sound if the door is not closed when the device is armed; it will sound the alarm if the door is forced open while the device is armed; it will provide anti-pass-back by cutting short the rearm time.

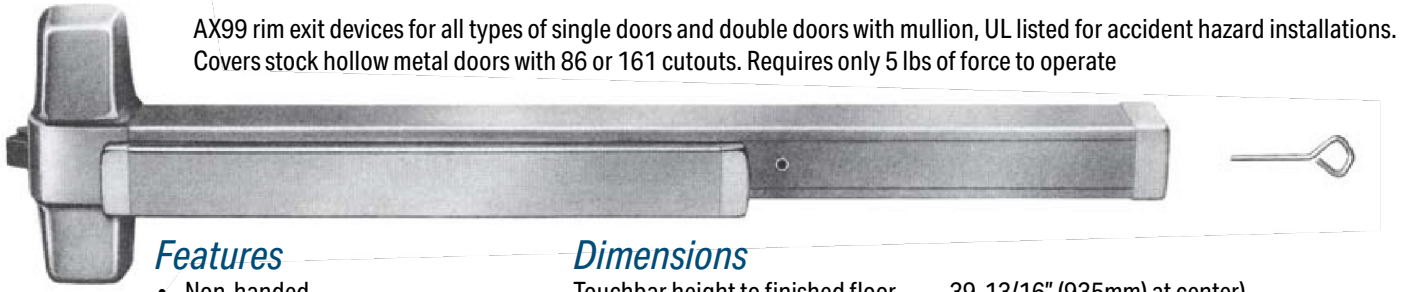
**External Inhibit Input** — This optional input is provided to allow remote override of the Chexit in the armed condition. It also allows remote reset of the Chexit in an alarmed condition. Typical device connections include card readers, wall-mounted key switches, or a remote security console. This input is controlled with a Normally closed switch (open = disarmed).

**Fire Alarm Input** — This input disables the Chexit immediately upon a fire alarm. The building's fire alarm system should provide normally closed contacts which open on alarm.

**Internal Auxiliary Lock** — The Auxiliary Lock is engaged when the Chexit is armed. The locking mechanism is specifically designed to hold securely even when the exit device is struck with forceful blows. The mechanism will also release upon command regardless of the force applied to the push pad. An override spring prevents damage to internal components when more than 75 pounds of force are exerted on the push pad.

# Von Duprin

## AX Series - AX99 - Rim Exit Device



### Features

- Non-handed
- Latch bolt deadlocking
- Field sizeable
- Hex key dogging
- 3/4" (19mm) thrown latch bolt

### Dimensions

Touchbar height to finished floor	39-13/16" (935mm) at center)
Touchbar projection	
neutral	3-13-16" (97mm)
depressed	3-1/16" (78mm)
Center case	8" x 2-1/4" x 2-3/4" (203mm x 57mm x 70mm)
Device length short 3'	2'6" to 3' (762mm to 914mm) door size
long 4'	3'1" to 4' (940mm to 1219mm) door size

### Stocked Product

AX99EO	3'	26D, 313, 315
AX99EO	4'	26D
PAAAX 98/99EO	3' and 4'	26D, 313

## AX99-F - Fire Exit Rim Exit Device

AX99-F fire exit rim devices for all types of 4' x 8' (1219mm x 2438mm) single door or 8' x 8' (2438mm x 2438mm) double doors with 9954 9854 mullion, UL listed for fire exit hardware, 3 hour rating.

### Features

- Non-handed
- Field sizeable
- Latch bolt deadlocking
- 3/4" (19mm) thrown latch bolt

### Dimensions

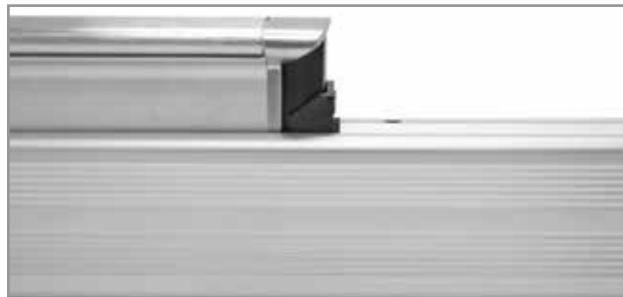
Touchbar height to finished floor	39-13/16" (935mm) at center)
Touchbar projection	
neutral	3-13-16" (97mm)
depressed	3-1/16" (78mm)
Center case	8" x 2-1/4" x 2-3/4" (203mm x 57mm x 70mm)
Device length short 3'	2'6" to 3' (762mm to 914mm) door size
long 4'	3'1" to 4' (940mm to 1219mm) door size

### Stocked Product

AX99EO-F	3'	315
----------	----	-----

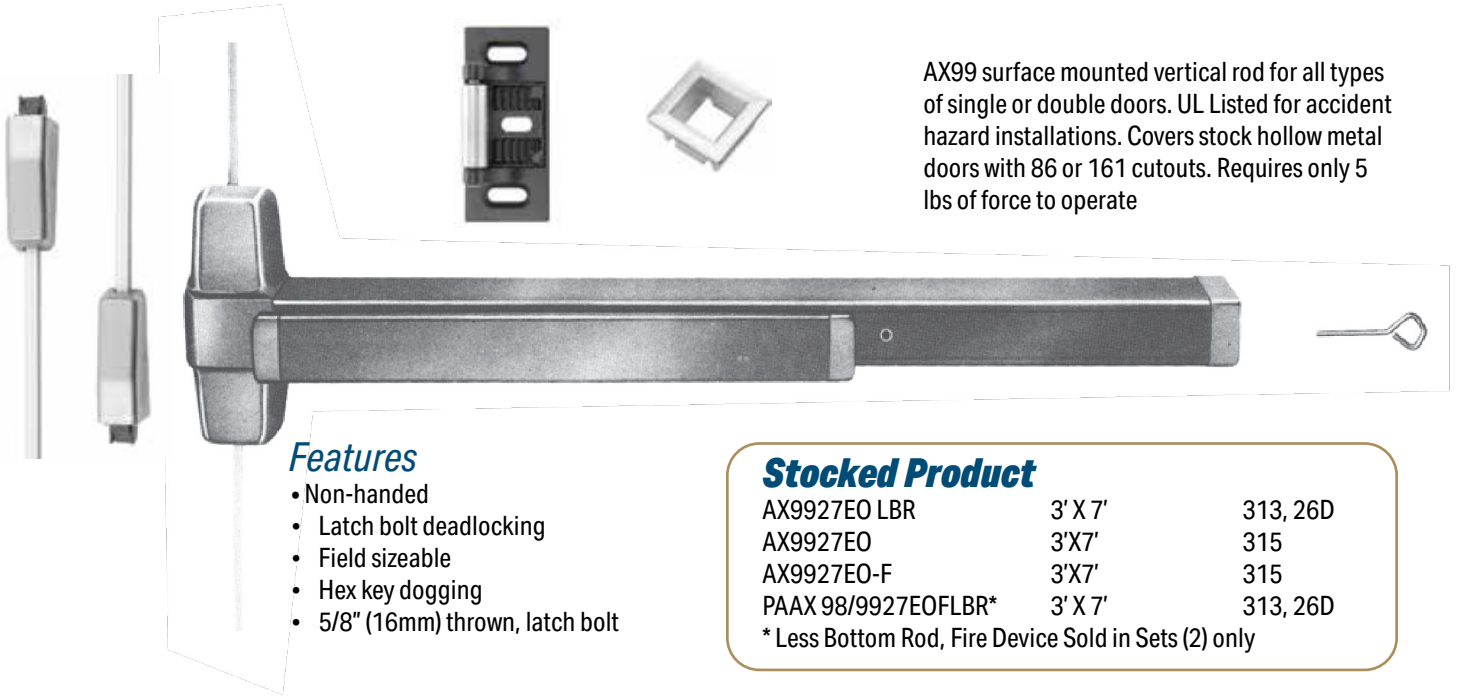
## PA - Pushpad armor

Built to absorb impact, the pushpad armor stands up to the wear and tear of demanding high-traffic areas. This composite accessory provides added support, while protecting the pushpad on the hinge side of the device.



## Von Duprin

### AX Series - AX9927 - Surface Mounted Vertical Rod



AX99 surface mounted vertical rod for all types of single or double doors. UL Listed for accident hazard installations. Covers stock hollow metal doors with 86 or 161 cutouts. Requires only 5 lbs of force to operate

#### Features

- Non-handed
- Latch bolt deadlocking
- Field sizeable
- Hex key dogging
- 5/8" (16mm) thrown, latch bolt

#### Stocked Product

AX9927EO LBR	3' X 7'	313, 26D
AX9927EO	3'X7'	315
AX9927EO-F	3'X7'	315
PAAX 98/9927EOFLBR*	3' X 7'	313, 26D

\* Less Bottom Rod, Fire Device Sold in Sets (2) only

### AX9927-F - Fire Exit Surface Mounted Vertical Rod

AX9927-F fire exit surface mounted vertical rod devices for all types of 8' x 8' (2438mm x 2438mm) double doors, UL listed fire exit hardware, 3 hours.

#### Features

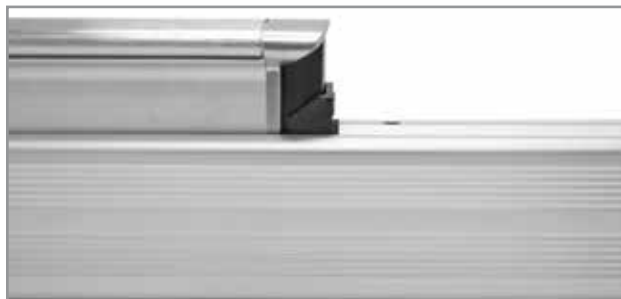
- Non-handed
- Field sizeable
- Latch bolt deadlocking
- 5/8" (16mm) anti-friction latch bolt

#### Dimensions

Touchbar height to finished floor	39-5/8" (1006mm) at center
Touchbar projection	
neutral	3-13/16" (97mm)
depressed	3-1/16" (76mm)
Center case	8" x 2-1/4" x 2-3/4" (203mm x 57mm x 70mm)
Device length short 3'	(914mm) 2'6" to 3' (762mm to 914mm) door size
Top & bottom latch case	4-1/2" x 2-1/8" x 1-1/2" (114mm x 54mm x 38mm)
Vertical rods	1/2" (13mm) square tubing

### PA - Pushpad armor

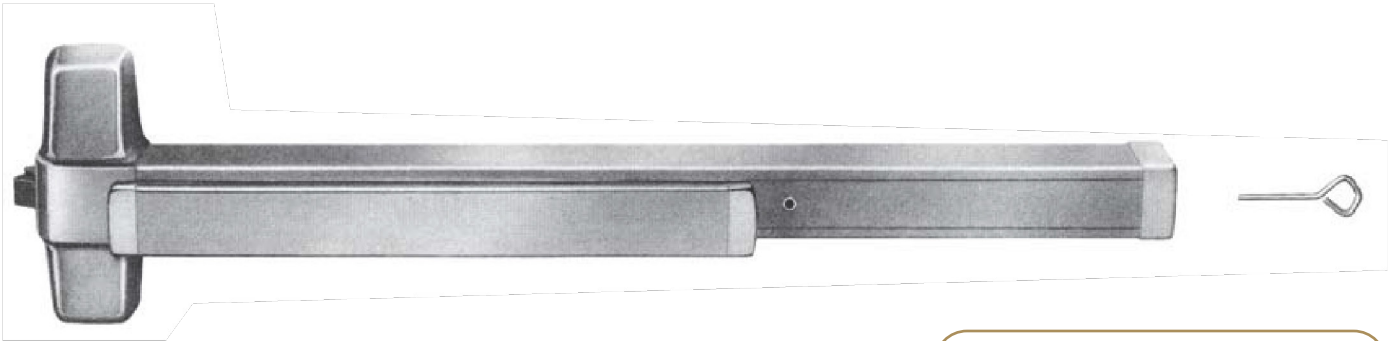
Built to absorb impact, the pushpad armor stands up to the wear and tear of demanding high-traffic areas. This composite accessory provides added support, while protecting the pushpad on the hinge side of the device.



## Von Duprin

### 98 - Rim Exit Device Smooth Mechanism Case 99 - Rim Exit Device

99 rim exit devices for all types of single doors and double doors with mullion, UL listed for accident hazard installations. Covers stock hollow metal doors with 86 or 161 cutouts.



#### Features

- Non-handed
- Latch bolt deadlocking
- Field sizeable
- Hex key dogging
- 3/4" (19mm) thrown latch bolt

#### Option:

- 98/99 NLOP Night Latch Cylinder Assembly

#### Stocked Product

98EO/99EO	3' and 4'	26D
99EO	3' and 4'	313
99EO	3'	US3, US26

### 99-F - Fire Exit Rim Exit Device

98-F and 99-F fire exit rim devices for all types of 4' x 8' (1219mm x 2438mm) single door or 8' x 8' (2438mm x 2438mm) double doors with 9954 9854 mullion, UL listed for fire exit hardware, 3 hour rating.

#### Features

- Non-handed
- Field sizeable
- Latch bolt deadlocking
- 3/4" (19mm) thrown latch bolt

#### Stocked Product

98EOF/99EOF	3' and 4'	26D
99EOF	3' and 4'	313

#### Dimensions

Touchbar height to finished floor	39-13/16" (935mm) at center
Touchbar projection	
neutral	3-13-16" (97mm)
depressed	3-1/16" (78mm)
Center case	8" x 2-1/4" x 2-3/4" (203mm x 57mm x 70mm)
Device length short 3'	2'6" to 3' (762mm to 914mm) door size
long 4'	3'1" to 4' (940mm to 1219mm) door size

# Von Duprin

## 9827 - Surface Mounted Vertical Rod with Smooth Mechanism Case 9927 - Surface Mounted Vertical Rod



99 surface mounted vertical rod for all types of single or double doors. UL Listed for accident hazard installations. Covers stock hollow metal doors with 86 or 161 cutouts.

### Features

- Non-handed
- Latch bolt deadlocking
- Field sizeable
- Hex key dogging
- 5/8" (16mm) thrown, latch bolt
- Available LBR (less bottom rod)

### Option

Available LBR (less bottom rod)

### Stocked Product

9827EO/9927EO	3' X 7' and 4' X 7'	313, 26D
9827EO LBR / 9927EO LBR	3' X 7'	26D
9827EOF	3' X 7'	26D, 313
9927EOF	3' X 7' and 4' X 7'	26D
9927EOF	3' X 7'	313
* P9827EOF LBR	3' X 7'	26D
* P9927EOF LBR	3' X 7'	26D

\* Less Bottom Rod, Fire Device Sold in Sets (2) only

## 9927-F - Fire Exit Surface Mounted Vertical Rod

9827-F and 9927-F fire exit surface mounted vertical rod devices for all types of 8' x 8' (2438mm x 2438mm) double doors, UL listed fire exit hardware, 3 hours.

### Features

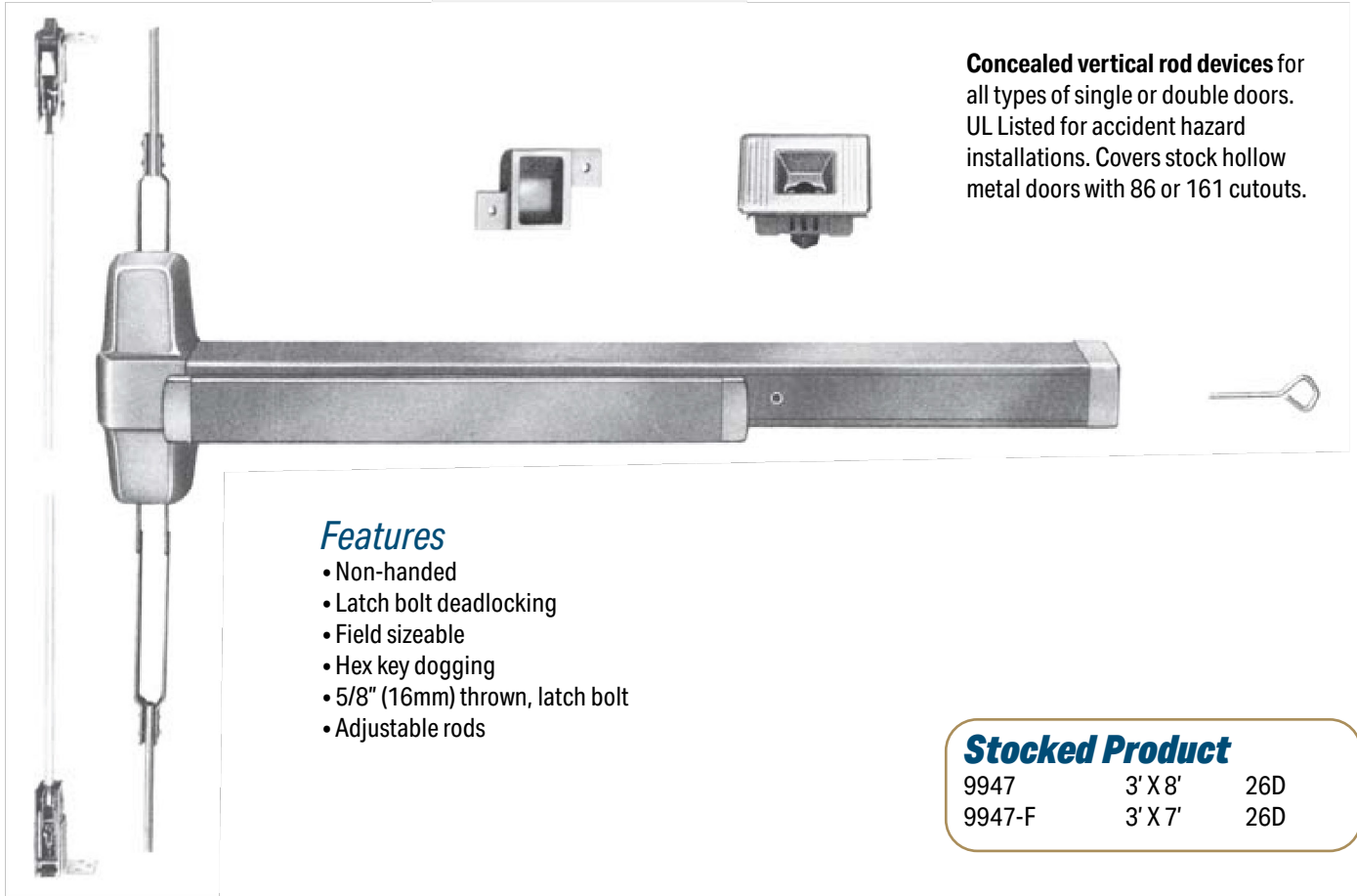
- Non-handed
- Field sizeable
- Latch bolt deadlocking
- 5/8" (16mm) anti-friction latch bolt

### Dimensions

Touchbar height to finished floor	39-5/8" (1006mm) at center
Touchbar projection	
neutral	3-13/16" (97mm)
depressed	3-1/16" (76mm)
Center case	8" x 2-1/4" x 2-3/4" (203mm x 57mm x 70mm)
Device length short 3'	(914mm) 2'6" to 3' (762mm to 914mm) door size
long 4'	3'1" to 4' (940mm to 1219mm) door size
Top & bottom latch case	4-1/2" x 2-1/8" x 1-1/2" (114mm x 54mm x 38mm)
Vertical rods	1/2" (13mm) square tubing

## Von Duprin

### 9947 - Concealed Vertical Rod Devices



**Concealed vertical rod devices** for all types of single or double doors. UL Listed for accident hazard installations. Covers stock hollow metal doors with 86 or 161 cutouts.

#### Features

- Non-handed
- Latch bolt deadlocking
- Field sizeable
- Hex key dogging
- 5/8" (16mm) thrown, latch bolt
- Adjustable rods

#### Stocked Product

9947	3' X 8'	26D
9947-F	3' X 7'	26D

### 9947-F - Fire Exit Concealed Vertical Rod Devices

9947-F fire exit concealed vertical rod devices for use on 8' x 8' (2438mm x 2438mm) double metal doors, UL listed fire exit hardware, 3 hours.

#### Features

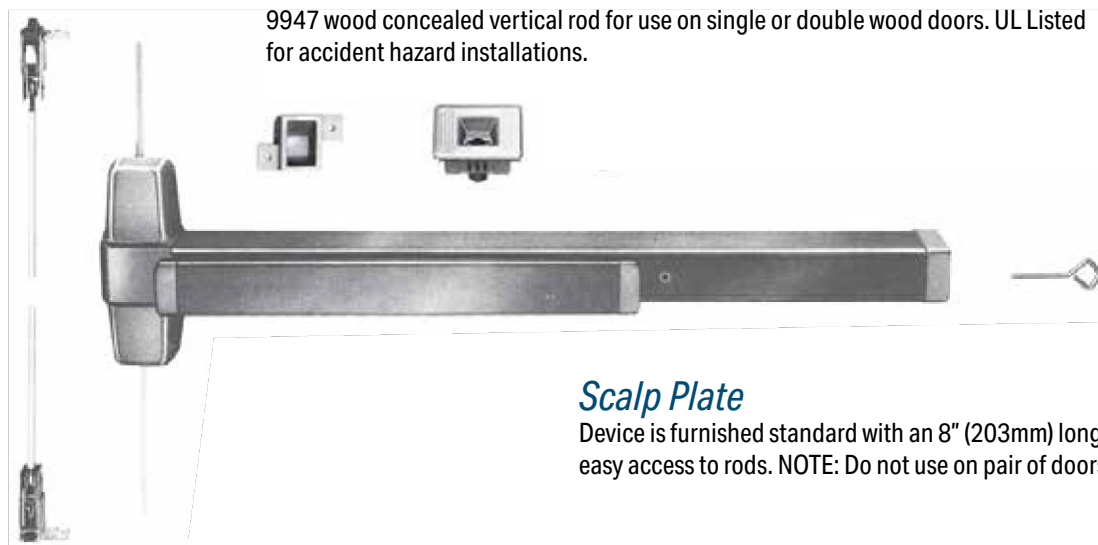
- Non-handed
- Field sizeable
- Adjustable rods
- 5/8" (16mm) thrown, latch bolt

#### Dimensions

Touchbar height to finished floor	39-5/8" (1006mm) at center
Touchbar projection	
neutral	3-13/16" (97mm)
depressed	3-1/16" (76mm)
Center case	8" x 2-1/4" x 2-3/4" (203mm x 57mm x 70mm)
Device length short 3'	(914mm) 2'6" to 3' (762mm to 914mm) door size
long 4'	3'1" to 4' (940mm to 1219mm) door size
Top & bottom latch case	4-1/2" x 2-1/8" x 1-1/2" (114mm x 54mm x 38mm)
Vertical rods	Two piece adjustable rods, doors 6'8" (2027mm) to 8'4" (2533mm)

## Von Duprin

### 9947WDC - Wood Concealed Vertical Rod Devices



9947 wood concealed vertical rod for use on single or double wood doors. UL Listed for accident hazard installations.

#### Scalp Plate

Device is furnished standard with an 8" (203mm) long scalp plate for easy access to rods. NOTE: Do not use on pair of doors with 9975

#### Features

- Non-handed
- Latch bolt deadlocking
- Field sizeable
- Hex key dogging
- 5/8" (16mm) thrown, latch bolt
- Adjustable rods

#### Dimensions

Touchbar height to finished floor	39-13/16" (1011mm) at center, adjusts as low as 35-5/8" (905mm)
Touchbar projection neutral	3-13/16" (97mm)
depressed	3-1/16" (76mm)
Center case	8" x 2-1/4" x 2-3/4" (203mm x 57mm x 70mm)
Device length short 3'	(914mm) 2'6" to 3' (762mm to 914mm) door size
long 4'	3'1" to 4' (940mm to 1219mm) door size
Vertical Rods - round	Two piece adjustable rods, doors 6'8" (2027mm) to 8'4" (2533mm)

#### Stocked Product

9947WDC	3' X 7'	26D
9947WDC	4' X 7'	26D



## Von Duprin

### 9949 - Concealed Vertical Cable Device



Hex key dogging comes standard on 9949 Concealed Vertical Cable Devices



#### Features

- Non-handed
- Latch bolt deadlocking
- Field sizeable
- Hex key dogging
- 1/2" (13mm) thrown, latch bolt
- Use with 99 trims

#### Dimensions

Touchbar height to finished floor 39-5/8" (1006mm) at center,

Touchbar projection

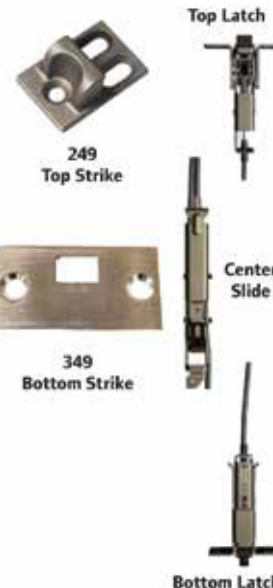
neutral 3-13/16" (97mm)

depressed 3-1/16" (76mm)

Center case 8" x 2-3/4" x 2-3/8" (203mm x 70mm x 60mm)

Device length short 3' 2'4" to 3' (711mm to 914 mm) door size

long 4' 2'10" to 4' (864 mm to 1219 mm) door size



NOTE: Fire rated openings less bottom latch. Requires Fire Pin Latch

#### Stocked Product

NUMBER	DESCRIPTION	FINISH
CS49-80	CABLE SYSTEM 8"0"	
CS49-70	CABLE SYSTEM 7"0"	
CS49-68	CABLE SYSTEM 6'8"	
9949EOLS313	9949EO F LESS CABLE	313
9949EOLS313	9949EO LESS CABLE	313
9949EOLS26DL	9949EO F LESS CABLE 48"	26D
9949EOLS26DL	9949EO LESS CABLE 48"	26D
9949EOLS26D	9949EO F LESS CABLE	26D
9949EOLS26D	9949EO LESS CABLE	26D
CS49LBL-80	CABLE SYSTEM LBL 8"0"	
CS49LBL-70	CABLE SYSTEM LBL 7"0"	
CS49LBL-68	CABLE SYSTEM LBL 6'8"	
49FPK	FIRE PIN KIT	

# Von Duprin

## 9975 - Mortise Lock 9975 F - Mortise Device, Fire Rated UL Listed for Fire Exit Hardware

9975 mortise lock device for all types of single or double doors. UL Listed for accident hazard installations. Covers stock hollow metal doors with 86 cutout and door stiles as narrow as 4-3/4"



### Features

- Nonhanded
- Latch bolt deadlocking
- Field sizeable
- Hex key dogging 9975 only
- 3/4" (19mm) thrown, latch bolt
- Adjustable rods



### Dimensions

Touchbar height to finished floor	39-5/8" (1006mm) at center
Latch bolt height to finished floor	40-3/32" (1018mm) at center
Touchbar projection	
neutral	3-13/16" (97mm)
depressed	3-1/16" (76mm)
Center case	8" x 2-1/4" x 2-3/4" (203mm x 57mm x 70mm)
Device length short 3'	(914mm) 2'6" to 3' (762mm to 914mm) door size
long 4'	3'1" to 4' (940mm to 1219mm) door size
Lock case	4-5/8" x 5-3/4" x 1" (117mm x 146mm x 25mm)
Faceplate	1-1/4" x 8" x 7/32" (32mm x 2438mm x 6mm)
Cylinder backset	2-3/4" (70mm)

### Stocked Product

9975EO	3' and 4'	26D
9975EOF	3' and 4'	26D

## Von Duprin

### 99 Series - Trim (All trim supplied less cylinder)



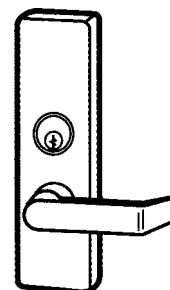
**990DT**  
Dummy Trim



**990NL**  
Pull trim with cylinder  
Key retracts bolt  
(Rim cylinder not included)



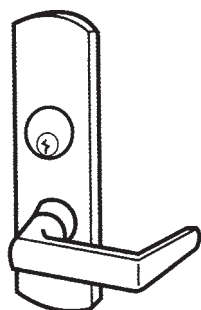
**990TP**  
Pull trim with thumb piece  
Key locks or unlocks latch  
(Rim cylinder not included)



**994L**  
Standard operation  
key locks or  
unlocks lever  
(Rim cylinder not included)

### 994L / 996L Series

Break away lever, allows lever to break away & drop into down position when abused. It can easily be reset to operating position by up lift motion



**996L**  
With 06 lever  
Key locks &  
unlocks lever  
(Rim cylinder not included)

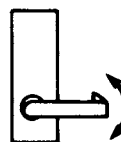
**E996L**  
Electrical  
Fail Safe  
(Rim cylinder not included)

**994L-NL**



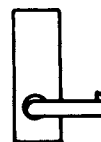
Night latch, key retracts latch bolt. Lever or knob is rigid. Use NL suffix. (Rim cylinder not included)

**994L-BE**



Blank escutcheon, lever or knob always active. Use BE suffix.

**994L-DT**



Dummy trim, lever or knob rigid for pull operation. Use DT

### Stocked Product

Part #	Lever	Cylinder Required	Function	Finishes
990DT		None	Dummy	26D, SP313
990NLM		Mortise Cylinder 1-1/4"	NL Function Mortise	26D
990NLR		Rim Cylinder	NL Function Rim	313, 26D
990TPR		Rim Cylinder	TP Function Rim/Vertical	313, 26D
996LM	06, 17	Mortise Cylinder 1-1/4"	Entry Mortise	26D
994L/996L	03, 06, 17	Rim Cylinder	Entry Rim/Vertical	26D
994L/996L	06, 17	Rim Cylinder	Entry Rim/Vertical	313
994/996L	06	Rim Cylinder	Entry Rim/Vertical	US19
994L/996L BE	06, 17	None	Entry Blank Outside	313, 26D
994L/996L DT	06	None	Dummy	313, 26D
994L/996L NL	06, 17	Rim Cylinder	NL Function Rim/Vertical	313, 26D
994/996L NL	06	Rim Cylinder	NL Function Rim/Vertical	US19
E996L	06, 17	Rim Cylinder	Entry Rim/Vertical	26D

## Von Duprin

### 99 ALK - Exit Alarm Kit (supplied less cylinder)

#### Features

- Contains internal horn, when touch bar is depressed horn sounds
- Key switch uses a standard 1-1/4" mortise cylinder. Note: 99ALK supplied less cylinder
- 9 volt battery
- When battery is weak, the horn will sound intermittent signal
- Includes "EMERGENCY EXIT ONLY. ALARM WILL SOUND" decal



#### Stocked Product

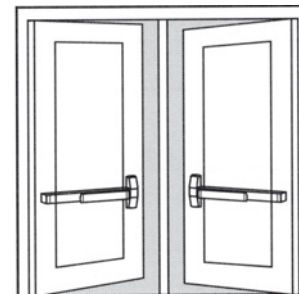
99ALK	Sprayed Aluminum
99ALK	Dark Bronze

### Mullion

**Removable mullions** provide single door performance in double door openings with rim devices. Mullions are easily removed by loosening bottom set screw and removing top fitting cover. The top mullion fitting is attached to the frame and is concealed by the fitting cover.

Mullions are shipped presized, with mounting screws, and prepared for strike. Strike not included.

**4954** - standard door application. Prepared for two 264 or 299 strikes for use with all Von Duprin panic rim exit devices.  
VON DUPRIN



**Keyed Removable mullions** makes removal faster and easier by a single operation of the mortise cylinder. Mullions provide single door performance and security on double door applications. Once the mullion is removed, large equipment or furniture

**Stocked Product** 9954 7'3"  
Aluminum and Dark Bronze

### Keyed Removable Mullion (supplied less cylinder)

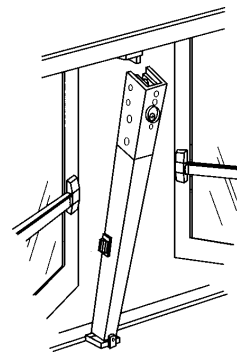
can freely pass through the opening. The unit will self lock when reinstalled, without use of the cylinder key.

**KR 4954** - key removable option supplied less cylinder - mortise cylinder 1-1/4"

**9954** - UL Fire label mullion for up to 3 hour opening using Von Duprin fire exit rim devices.

**MT54** - Wall mounted storage kit with floor and wall brackets for storage of key removable mullion description.

**154 Stabilizer** - is a two-piece interlocking set. One piece mounts on the mullion with the top mounting hole 5-3/16" (148mm) below the centerline of the strike; the other piece mounts on the door. Shims are provided to adjust for misalignment between the door and mullion.

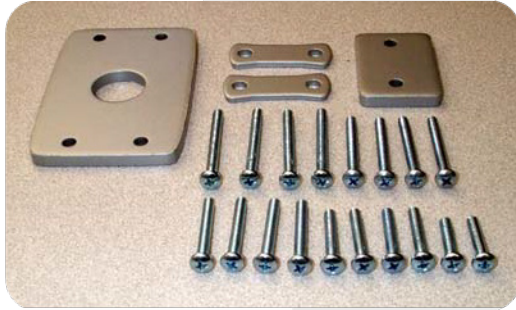


#### Stocked Product

MT54	Storage Kit	Aluminum
4954	7'2" and 8'2"	Aluminum
		Dark Bronze
KR4954	7'6" and 8'6"	Aluminum
KR54	Removable kit for 4954	Aluminum
KR54F	Removable kit for 9954	Aluminum
154	Mullion Stabilizer	SP28

## Von Duprin

### Glass Bead Kits



Glass bead conversion kits are available for 99 and 22 series devices for use on doors with raised glass beads. Each kit consists of 1/4" shim sets

### 99 Series - Parts



98EXT36 / 99EXT36  
36" Extension Rod



304L Bottom Strike



425 Sex Bolts



050115 / 050132  
Cylinder Dogging Kits  
(Less cylinder)



499F Strike

#### Stocked Product

22GBK for Rim and Vertical	Aluminum and Dark Bronze
99GBK for Rim and Vertical	Aluminum and Dark Bronze
425 Sex Bolts Female only (pk.of 2)	Aluminum and Dark Bronze
98EXT36 36" Extension Rod	Aluminum and Dark Bronze
99EXT36 36" Extension Rod	Aluminum and Dark Bronze
110WDNL Wood Door Kit	Aluminum or Dark Bronze
110MDNL Metal Door Kit	26D, 10B
499F Strike	19 Black
304L Bottom Strike	Unfinished
050115 CD KIT F/99	Aluminum and Dark Bronze
050132 CD KIT F/98	Aluminum and Dark Bronze

## Von Duprin

### Electric Exit Devices - Electric Latch Retraction (EL)

#### Solenoid Specifications:

- continuous duty - 24 VDC
- current in-rush - 16 Amps
- current holding - 0.3 Amps
- EL99EO
- 3/4" (19mm) thrown latch bolt



#### To order, specify

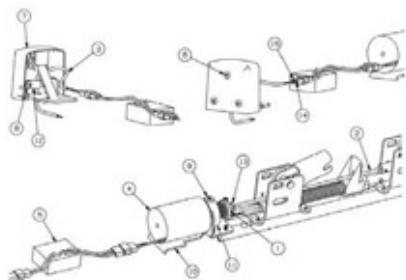
Standard - use prefix EL, example EL99L

Hex key dogging - use prefix HD-EL, example HD-EL99L

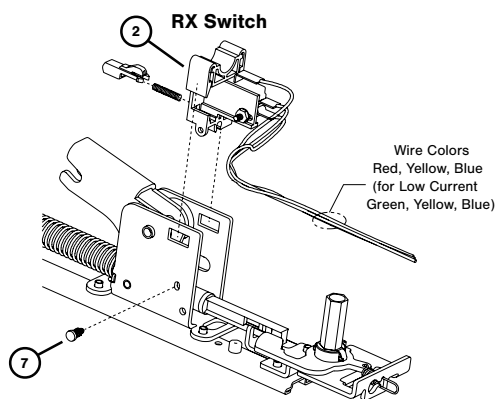
Special center case dogging - use prefix SD-EL, example SD-EL99L

### EL Conversion Kit

The EL kit allows existing exit devices to be converted to EL devices.



### Request to Exit Switch



#### Stocked Product:

EL99EO	36"	US26D
ELCONVKIT	36", 48"	Conversion Kit
RX		Switch, request to exit
040061		QEL Modular Conversion

## Von Duprin

### Series PS902 - Power Supply

- The series PS902 power supply is designed for electromagnetic locks and electric strikes on single door applications. The output power is field selectable for either 24VDC @ 1 ampere or 12VDC @ 2 ampere. Standard input 120VAC @ 0.6 ampere and 240VAC @ 0.3 ampere available. Terminal block will accept up to 14 gauge stranded wire.
- PS902-2RS - designed for Von Duprin QEL



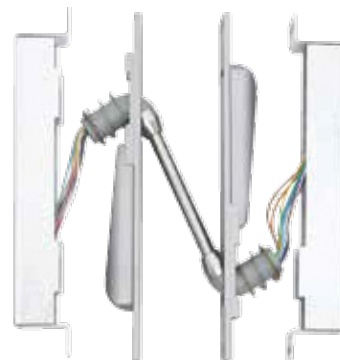
### Series PS9142RS - Power Supply

- The series PS9142RS power supply is designed to operate a wide variety of electrical products.
- The regulated output power is field selectable for either 24VDC @ 2 ampere or 12VDC @ 4 ampere.
- Standard input 120VAC @ 1.0 ampere
- PS9142RS complete for 2 doors.



### EPT2 & EPT10 - Electrical Power Transfer

- Electric power transfer provides a means of transferring electrical power from a door frame to the edge of a swinging door. The units are completely concealed when the door is in the closed position, and are ideally suited for installations involving abuse or heavy traffic.
- Door applications; up to 5" butt
  - Hinges - 180° swing, 5-1/2" butt
  - Hinges - 130° swing, 6" butt
  - Hinges - 110° swing, and 3/4" offset pivots 180° swing.
- Dimensions: Housing 9" x 1 1/4" x 1 5/8" (229mm x 32mm x 38mm) EPT-2 Two 18 gauge wires, Up to 2 AMPS @ 24VDC, with a 16 AMPS Maximum Surge EPT-10 Ten 24 gauge wires, Up to 1 AMPS @ 24VDC, with a 16 AMPS Maximum Surge



#### Stocked Product

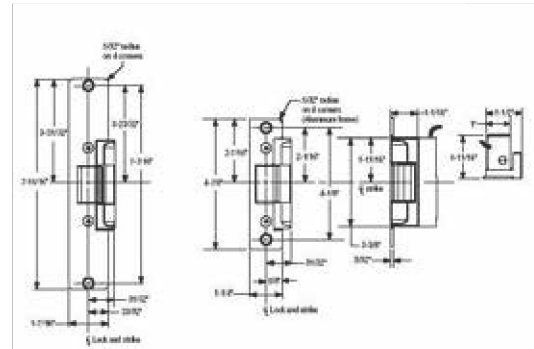
PS902  
PS9022RS  
PS9142RS  
EPT2 Aluminum  
EPT10 Aluminum

## Von Duprin

### 5100 - Electric Strike

#### Features

- Three faceplates included for hollow metal, wood or aluminum frames
- Internal 12/24 VDC dual voltage solenoid
- Adjustable keeper
- Available with both fail safe / fail secure options



### 6100 Series - Electric Strike

6100 Series electric door strikes are designed for use with a variety of rim exit devices including rim nightlatch. 6100 Series strikes come standard as 24 VDC in fail secure mode.

- Heavy-duty stainless steel construction
- Strike box allows horizontal adjustment to compensate for misalignment of the door or frame
- 24 VDC standard
- Two-piece plug connectors are furnished for ease of installation and removal during strike servicing
- Suitable for interior or exterior doors
- UL 10C 3-hour fire-rated electric strike



6113

### 6200 Series - Electric Strike

6200 Series electric door strikes are designed for use with a variety of mortise or cylindrical locksets. 6200 Series strikes come standard as 24 VDC in fail secure mode.

- Heavy-duty stainless steel construction
- 24 VDC standard
- Two-piece plug connectors are furnished for ease of installation and removal during strike servicing
- Suitable for interior and exterior doors
- UL 10C 3-hour fire-rated (fail secure only)



6210



6211

#### Stocked Products

5100-3FP	689
6211 24VDC	32D
6113 24VDC	32D
6210 24VDC	32D