

Trine-Electric Strikes & Accessories

Push Buttons



2-1/4" Body Diameter

SRP - Push Button Polished Brass with Black Center



5/8" Body Diameter

45A - Silver Rim with Pearl Center

Stocked Product:

SRP	Brass/Black
45A	Silver/Pearl

S005 - Electric Strike

APPLICATION

For use in replacement installations in wood jambs and iron gates. Use with bored cylindrical locksets having up to 3/4" throw.*

FEATURES

- FACE PLATE - 1-3/8" X 3-1/2"
- DURABILITY - 500,000 Life cycles
- HOLDING FORCE - 1000 lbs.
- NON-HANDED

VOLTAGE	CURRENT/AMPS
24 VAC	1.40
24 VDC	.19



Stocked Product

S005 24VAC	US4, 26D
S005 24VDC	US4, 26D

Trine-Electric Strikes & Accessories

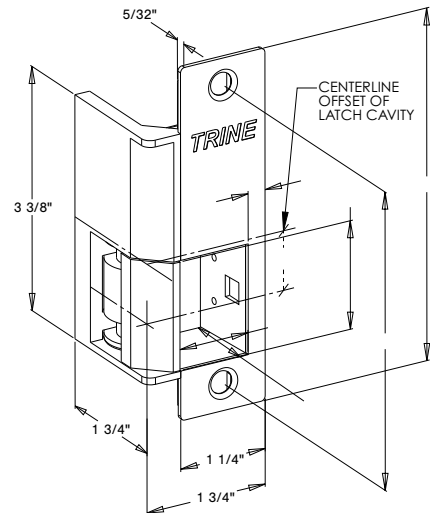
430 - Electric Strike

For use in new or replacement installation in metal jambs. Designed to be used with mortise locks with up to 1" throw without the needing to of relocating center line

- offset application

Features

- Face Plate 1-1/4" X 4-7/8"
- All Stainless steel construction
- 1,000,000 life cycle
- Holding Force 2,000 lbs
- Cavity Centerline offset 1"
- Handed specify LH or RH 1/4" 4 7/8" 1 1/2" 1" LATCH WIDTH 4 1/8" 1" LATCH DEPTH 1" OFFSET
- Mortise type- backset 1-3/4"
- UL Listed
- 24VDC



DISCONTINUED
Call for availability and special pricing

Compatible Locksets for 430

Accurate	8500 series
NT Monarch	18-M,XX-M 17-M
Sargent:	7700,8100 series
Schlage	L9000 series
Yale:	8700 series

Stocked Product

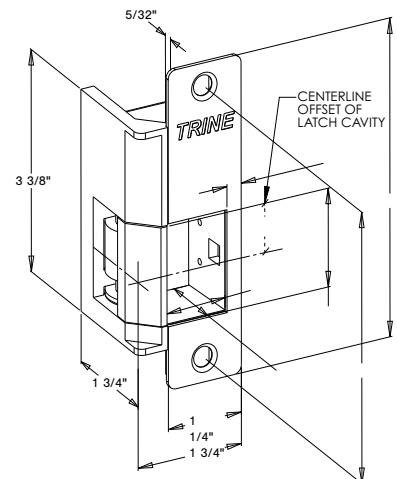
4302-24VDC 10B LH, RH
4302-24VDC 32D RH

435 - Electric Strike

For use in new or replacement installation in metal jambs. Designed to be used with mortise locks with up to 1" throw without the need of relocating the center line

Features

- Face Plate 1-1/4" X 4-7/8"
- All Stainless steel construction
- 1,000,000 life cycle
- Holding Force 2,000 lbs
- Cavity Centerline offset 1"
- Handed specify LH or RH
- Mortise type- backset 1-3/4" 1" 4 1/8" LATCH DEPTH 4 7/8" 3/4" OFFSET 1 1/2" 1/4" 1" LATCH WIDTH
- UL Listed
- 24VDC



DISCONTINUED
Call for availability and special pricing

Compatible Locksets for 435

Accurate	9000,9100
Arrow	A series
Best	34H,37H
Corbin	ML2200
Falcon	M series
Marks	5036
PDQ	ML series
Sargent	7800-8200

Stocked Product

435-24VDC 32D

Trine-Electric Strikes & Accessories

323478LC Kit

Kit Includes:

- (1) 234-26D -- 2 3/4" Faceplate
- (1) 234X-375-26D -- 2 3/4" Faceplate with extended ramp
- (1) 478-32D -- 4 7/8" Faceplate
- (1) 478-CCFP - Competitor Cutout Filler Plate
- (1) 30LC - 11-29 AC&DC Mechanism



478-32D

Patented horizontal adjustment feature --guaranteed not to move.



234-26D

For the smallest electric strike cutout.



30LC



234X-26D

Designed for Timely®/Redi® Frames. Great for Wood.



478-CCFP

Covers the cutout left by competitor strikes.



color shown may not exactly match the color of actual item

3234x375 *Optional (not included)

Smallest faceplate for Timely®Frames (or similar application) installation

Stocked Product

323478LC	26D
3234x375 Optional Faceplate	10B

Trine-*Electric Strikes & Accessories*

EN400CMRP

The one box solution that can handle cylindrical, mortise, deadlatches, and rim panics

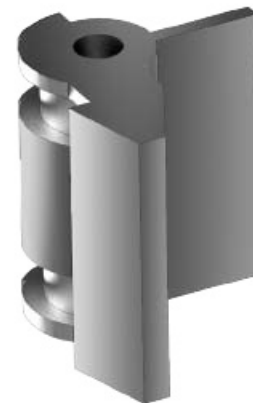
Features

- The EN400-12DC-32D complete in the box
- The 400RP latch - change for rim panics in the field.
- The EN400-Gatebox - Mount the strike anywhere.
- The EN-24DC-CA - change voltage in the field.
- Fail safe/fail secure field reversible.
- Always Low Current Draw



EN400-Gatebox

Install the EN400CMRP anywhere on the frame or post. Gatebox is unfinished.



RP Latch

Stocked Product

EN400CMRP

32D