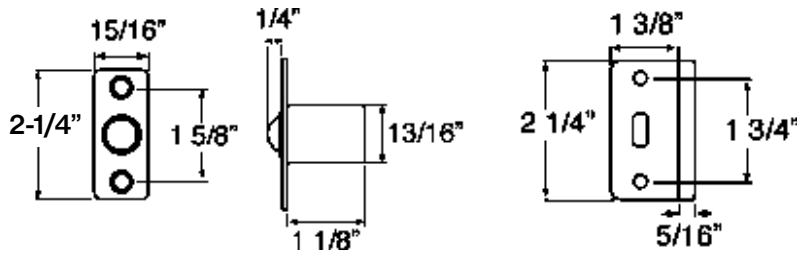
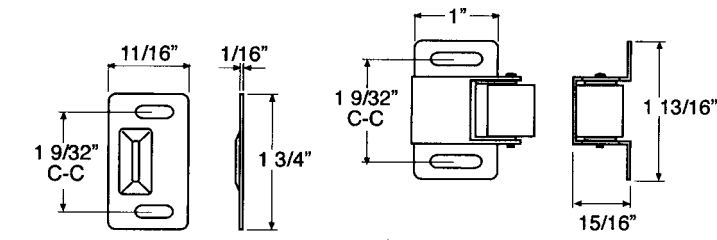


## Taymor - Cabinet Hardware

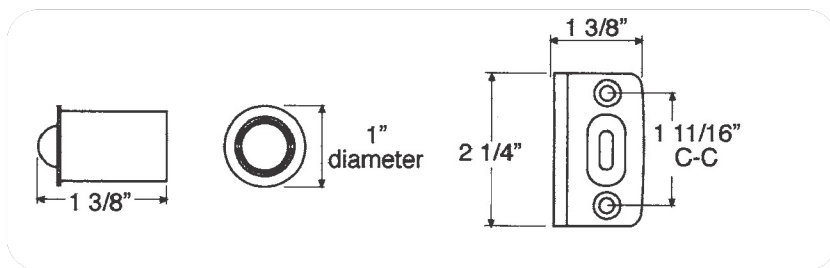
### Bullet Catch



### 1431 - Roller Catch



### 1432 - Drive-in Bullet Catch

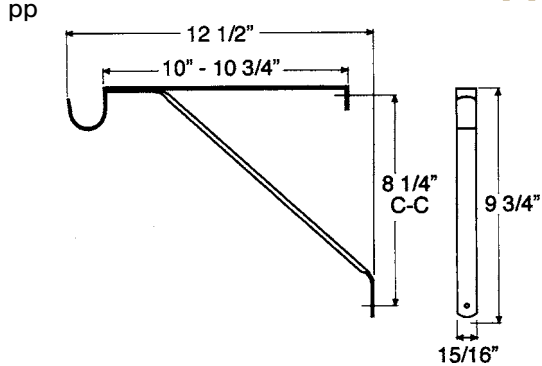


#### Stocked Product

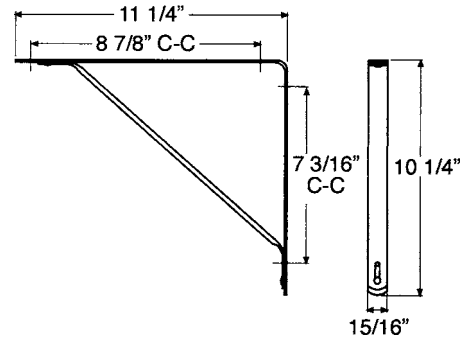
ITEM	FINISH
1412	10B, 15
1431	15
1432	10B, 15, 26D

## Taymor - Closet Hardware

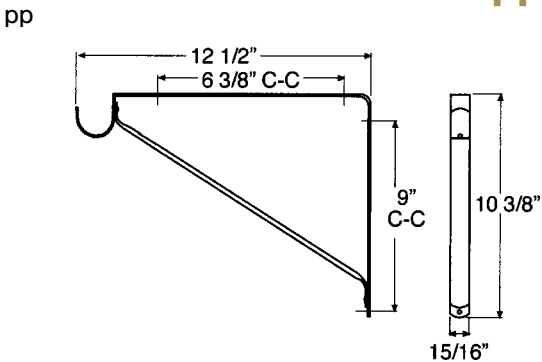
### 2800 - Shelf and Rod Support



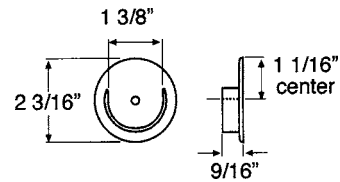
### 2815 - Fixed Shelf Support



### 2810 - Shelf and Rod Support

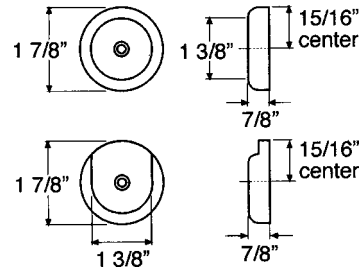
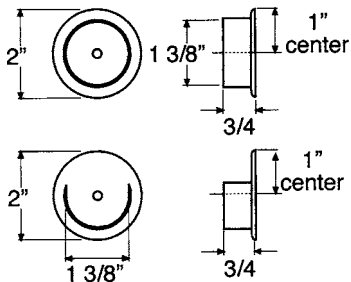


### 2830 - Pole Socket



### 2840 - Pole Socket

### 2820 - Pole Socket

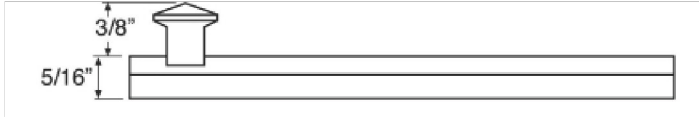


#### Stocked Product

ITEM	FINISH
2800, 2810 and 2815	Ivory finish White
2820	Finish Polished Brass White
2820PB	finish Wood
2830	
2840	

# Taymor - Surface Bolt & Flush Bolt

## 4035 - Surface Bolt

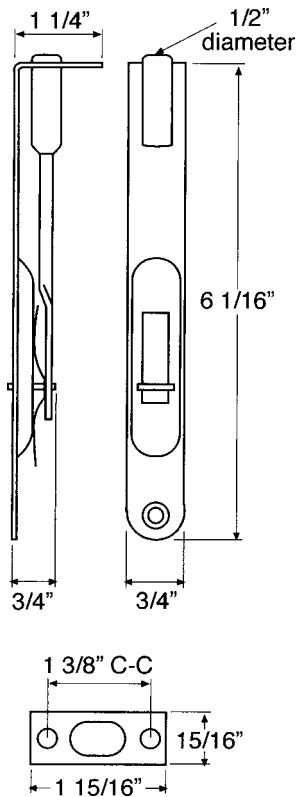


**Stocked Product**

ITEM 4035 Surface Bolt: 4"

**FINISH**  
15

## 5316 Radius End Flush Bolt



**Stocked Product**

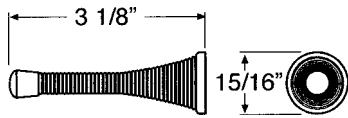
ITEM  
5316 Flush Bolt:

**FINISH**  
10B, 15

## Taymor - Door Stops

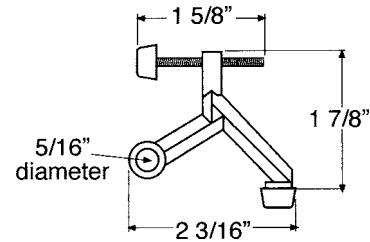
### 4671 - Spring Door Stop 3-1/8"

Spring Door Stop 3-1/8"



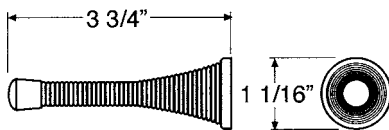
### 4614 - Hinge Pin Door Stop

Hinge Pin Stop

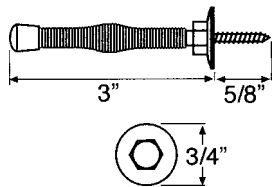


### 4674 - Extra Long Spring Door Stop

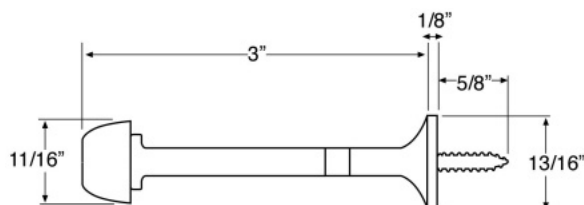
Extra Long Spring Stop



### 4675 - Spring Door Stop with Fixed Screw



### 4679 - Door Stop



#### Stocked Product

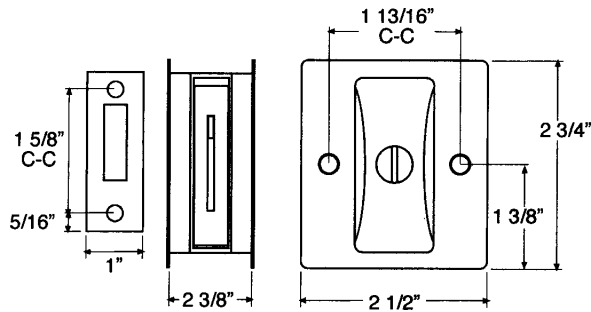
ITEM	FINISH
4614	US3, 10B, 15, 26D
4671	US3, 10B, 15, 26D
4674	US3, 10B, 15, 26D
4675	US3, 10B, 15, 26D
4679	10B, 15, 26D

## Taymor - Sliding Door Locks

### Privacy Sliding Door Lock

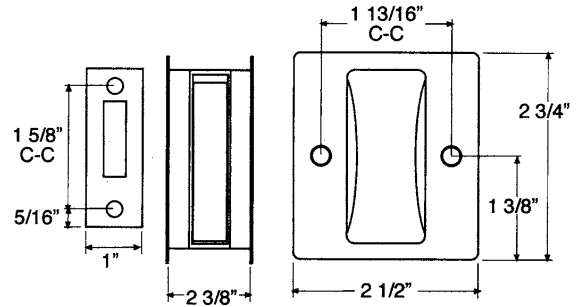
#### PH580 - Privacy

Fits 1-3/8" to 1-3/4" thick door



### PH590 Passage Sliding Door Lock

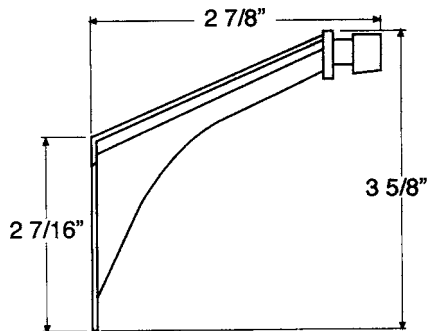
Fits 1-3/8" to 1-3/4" thick door



#### Stocked Product

ITEM	FINISH
PH580	10B, 15
PH590	10B, 15

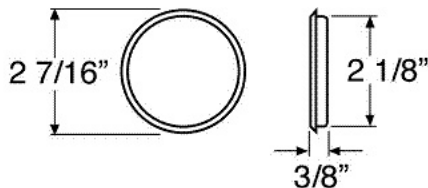
## Taymor - General Hardware 6390 - Deluxe Deluxe Handle Bracket



#### Stocked Product

ITEM	FINISH
6390	10B, 15

## L2900 - Finger Pull Drive-in 2-1/8" Diameter, Snap in Installation



#### Stocked Product

ITEM	FINISH
L2900	US3, 10B, 15, 26D

