

SOSS - Invisible Hinges

Models 216 & 218

Features

- Security- When closed, the SOSS Invisible Hinge cannot be seen or tampered with. When opened, the riveted hinge pin is non-removable.
- Safety- The moving pivot point remains inside the hinge during travel until fully opened, eliminating an external pinch point on the back side of the door.
- Strength- The installed hinge is firmly anchored in a deep, full mortise, which assists the screws in supporting the door, assuring a stronger, more rigid installation.

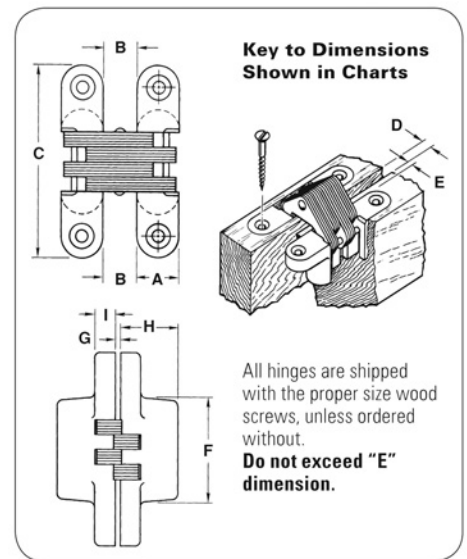
Specifications

216 - 1-3/8" Doors

- A 1"(25.40mm)
- B 23/32"(18.26mm)
- C 4-5/8"(117.48mm)
- D 7/32"(5.56mm)
- E 1/4"(6.35mm)
- F 2-19/32"(65.88mm)
- G 1/16"(1.59mm)
- H 1-7/16"(36.51mm)
- I 15/32"(11.91mm)

218 - 1-3/4" Doors

- 1-1/8"(28.58mm)
- 7/8"(22.23mm)
- 4-5/8"(117.48mm)
- 3/8"(9.53mm)
- 1/4"(6.35mm)
- 2-7/16"(61.91mm)
- 1/16"(1.59mm)
- 1-41/64"(41.67mm)
- 13/32"(10.32mm)



Stocked Product

Item	Finish
216	US4, US26D
218	US4, US26D