

Rockwood

Push Plates

The push plates are a standard .050" thick. They meet ANSI 156.6 standards. Plates can be mated with most any door pull of your choice.

Stocked Product

No.	Size	Finish
70B	3-1/2" x 15"	605, 613, 630
70C	4" x 16"	605, 613, 630



Pull Plates

These pull plates are .050" thick wrought, stocked in standard architectural finishes, and meet ANSI 156.6 standards.

Stocked Product

No.	Pull CTC	Plate Size	Finish
106x70B	6"	3-1/2" x 15"	605, 613, 630
106x70C	6"	4" x 16"	613, 630
107x70C	8"	4" x 16"	605, 613, 630
132x70C	5-1/2"	4" x 16"	613, 630



Kick Plates

These kick plates are .050" thick and meet ANSI 156.6 standards.

Stocked Product

No.	Plate Size	Finish
K1050	8" x 34"	630
K1050	10" x 34"	630
K1050	12" x 34"	630



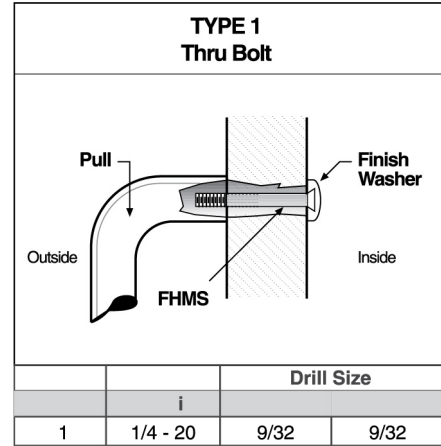
Rockwood

Straight Pulls



Stocked Product

No.	Pull CTC	Finish
110	8"	628, 313
111	10"	628, 313
112	12"	628, 313
110 BTB	8"	628, 313
111 BTB	10"	628, 313
112 BTB	12"	628, 313



MOUNTING INSTRUCTIONS FOR ONE-SIDED PULLS. APPLIES TO BOTH STRAIGHT AND 90° PULLS.

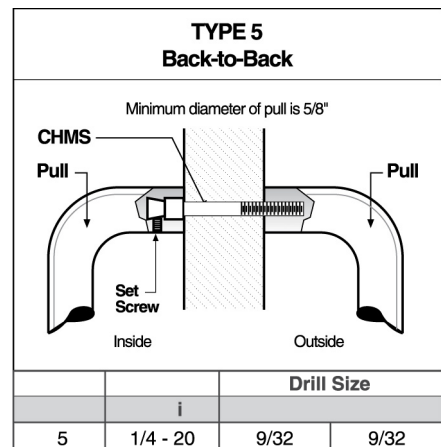
90° Offset Pulls

Offset pulls come with a 2 1/2" clearance for enhanced ADA compliance.



Stocked Product

No.	Pull CTC	Finish
BF157	10"	628, 313
BF158	12"	628, 313
BF157 BTB	10"	628, 313
BF158 BTB	12"	628, 313



MOUNTING INSTRUCTIONS FOR BACK-TO-BACK PULLS. APPLIES TO BOTH STRAIGHT AND 90° PULLS.

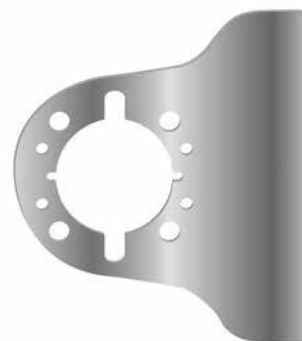
330 - Anti-Vandal Latch Protector

Features:

- Protects cylindrical locks from forced entry and vandalism.
- Fast and simple installation.
- Non-handed.

Stocked Product

No.	Size	Finish
330	5-38" x 6"	630



Rockwood

Push Bars



Stocked Product

Pull No.	Description	Finish
47	Push Bar, 33" CTC	628

Straight Push Pulls



Stocked Product

Pull No.	Pull CTC	Finish
11047	8" x 33" CTC	628

Offset Push Pulls



Stocked Product

Pull No.	Pull CTC	Finish
BF15747	10" x 33"	630
BF15847	12" x 33"	630

Rockwood

406 - Wrought Wall Stops

Wrought brass, bronze, and stainless steel with DuraFlex bumper.

Features:

- Concealed mounting, convex bumper. Back plate prevents damage to wall.
- #8 x 1-1/4" TH SMS, plastic toggle fastener
- 3/4" Projection



Stocked Product

No.	Size	Finish
406	2-1/2" dia.	605, 613, 626

409 - Wrought Wall Stops

Wrought brass, bronze, and stainless steel with DuraFlex bumper.

Features:

- Concealed mounting, concave bumper. Back plate prevents damage to wall.
- #8 x 1 1/4" TH SMS, plastic toggle fastener
- 3/4" Projection



Options:

DuraFlex bumper available in standard gray or optional black.

Stocked Product

No.	Size	Finish
409	2-1/2" dia.	605, 613, 625, 626, 630

441 - Low Dome Stop

Solid cast brass with DuraFlex bumper.

Features:

- For doors without thresholds (not undercut).
- Fastener: #12 x 1-1/4" fh ws, plastic anchor
- No. 441 is packed with both WS and MS fasteners.
#12 - 24 x 1" FH MS, lead anchor

Options:

Exterior pack screw packs, stainless steel plated to match
— use EXP suffix (440 x EXP) when ordering.



Stocked Product

No.	Base	Height	Finish
441	1/4" h x 1-7/8" dia.	1-1/8"	605, 613, 625, 626

Rockwood

443 - High Dome Stops

Solid cast brass with DuraFlex bumper.

Features:

- For doors with thresholds or undercut doors.
- Fastener: #12 x 1-1/2" FH WS, plastic anchor

Options:

Exterior pack screw packs, stainless steel plated to match
— use EXP suffix (442 x EXP) when ordering.



Stocked Product

No.	Base	Height	Finish
443	1/4" h x 1-7/8" dia.	1-1/2"	605, 613, 625, 626

449 - Door Stop Riser

Aluminum.

Full size carpet riser provides sturdy base for mounting the No. 440 or No. 442 dome stop.

Specify finish and thickness; 1/4", 3/8", 1/2", 5/8", 3/4", 1".

Fastener: #12 WS, plastic anchor



Stocked Product

No.	Base	Height	Finish
449	1-7/8" dia.	3/8"	626

461L - Kick Down Door Stop

Solid cast brass with DuraFlex bumper.

Features:

- DuraFlex bumper provides reliable grip on floor.
- A unique assembly design that conceals the axle in the base.
- For use with doors up to 3" door-to-floor clearance.
- Uses replacement bumper No. 461B.
- Fastener: 4 ea. #8 x 3/4" OH SMS



Stocked Product

No.	Base	Projection	Finish
461L	2-1/4" x 1-1/4"	4-5/8"	613, 626

Rockwood

463 - Heavy Duty Door Stop

Flame resistant high impact bumper.
5/8" x 2-1/2" Mounting Bolt



Stocked Product

No.	Size	Finish
463	2" dia. x 1-1/2" h.	626

470, 471 - Door Stops

Cast brass with DuraFlex bumper.

Features:

- For doors without thresholds (not undercut).
- Fastener: 470:3 ea. #12 x 1 1/4" FH WS; 3 ea. plastic anchors
471: 1 ea. 5/16 - 18 x 1 3/4" stud, lead anchor; #8 x 3/4" OH SMS, plastic anchor

Options:

Exterior pack screw packs, stainless steel plated to match – use EXP suffix (470 x EXP) when ordering.



Stocked Product

No.	Size	Finish
470	2-1/2" dia. base, 3" Height	613, 626
471	2-1/2" dia. base, 3" Height	613, 626

473 - Door Stop with Keepers

Cast brass with DuraFlex bumper.

Features:

- Fastener: 5/16 - 18 x 1 3/4" stud, lead anchor; #8 x 3/4" OH SMS, plastic anchor Keeper: 2 ea. #12 x 1 1/4" FH WS; 2 ea. plastic anchors

Options:

Exterior pack screw packs, stainless steel plated to match – use EXP suffix (472 x EXP) when ordering.



Stocked Product

No.	Size	Finish
473	2-1/2" dia. base, 3-3/4" Height	613, 626

Rockwood

481H - Door Stop

Solid cast brass with DuraFlex bumper

Features:

- Heavy duty and ideal for use on heavy doors or in high traffic areas.
- Fastener: 3 ea. #12 - 24 x 1" FH MS, 3 ea. lead anchors
- Uses replacement bumper 461B.

Options:

- DuraFlex bumper available in standard gray or optional black.
- Exterior pack screw packs, stainless steel plated to match
 - use EXP suffix (481H x EXP) when ordering.



Stocked Product

No.	Size	Finish
481H	2-1/2" x 1-3/4" base 2-1/4" Height	626

482 - Door Stop

Solid cast brass with DuraFlex bumper

Features:

- Heavy duty and ideal for use on heavy doors or in high traffic areas.
- Fastener: 5/16 - 18 x 1-3/4" stud, lead anchor; #12 x 1-1/4" FH WS, plastic anchor

Options:

- DuraFlex bumper available in standard gray or optional black.
- Exterior pack screw packs, stainless steel plated to match
 - use EXP suffix (482 x EXP) when ordering.



Stocked Product

No.	Size	Finish
482	1-1/2" x 2-1/2" base 2-1/8" Height	626

483 - Door Stop

Solid cast brass with DuraFlex bumper

Features:

- Heavy duty and ideal for use on heavy doors or in high traffic areas.
- Fastener: 5/16 - 18 x 1-3/4" stud, lead anchor; #12 x 1-1/4" FH WS, plastic anchor

Options:

- DuraFlex bumper available in standard gray or optional black.
- Exterior pack screw packs, stainless steel plated to match
 - use EXP suffix (483 x EXP) when ordering.



Stocked Product

No.	Size	Finish
483	1-5/8" x 2-5/8" base 2-3/4" Height	613, 626

Rockwood

555 - Lever Extension Flush Bolt

Brass.

Features:

- For Fire Rated Hollow Metal Swinging Doors measuring up to 4'w x 10'h rated up to and including 3 Hours.
- Fits ANSI A115 door and frame preparation.
- 3/4" bolt throw, 3/4" rod backset.
- 12" rod length (center of face to bolt end - retracted).
- 1 1/2" adjustable bolt head.
- Exterior pack screw packs, stainless steel plated to match – use EXP suffix (481H x EXP) when ordering.



Stocked Product

No.	Size	Finish
555	Face plate: 1" x 6-3/4" Strike: 15/16" x 2-1/4" Guide: 1" x 2"	605, 613, 625, 626

557 - Lever Extension Flush Bolt

Cast brass.

Features:

- For Fire Rated Plastic & Wood Covered Doors measuring up to 4'w x 10'h rated up to and including 1-1/2 Hours.
- 3/4" bolt throw, 3/4" backset; door strength maintained by corner reinforcing plate.

Options:

Use No. 570 Dust Proof Strike to prevent dirt blocking bottom strike.



Stocked Product

No.	Size	Finish
557	Face plate: 1" x 6-3/4" Strike: 15/16" x 2-1/4"	605, 613, 625, 626

Rockwood

570 - Dust Proof Strike

Brass.

Features:

- Works with all Rockwood manual and automatic flush bolts.
- Removable face plate for use with thresholds.
- Adjustable height for carpeted areas.
- Fastener: Adjustment nut. Spanner wrench. 2 ea. #8 x 1 OH SMS, 2 ea. plastic anchors. 2 ea. #8 - 32 x 3/4" OH MS, 2 ea. lead anchors.



Stocked Product

No.	Size	Finish
570	Face plate: 138" x 278" Barrel: 78" dia. x 2" depth	613, 625, 626

576 - Gravity Door Coordinator

Cast brass.

Features:

- Non-handed reversible. Prevents the active door from closing until the inactive door is closed.
- Fastener: Body: 2 ea. #10 x 1" FH SMS, 2 ea. #10 - 24 x 1" FH MS. Strike: 5 ea. #8 x 1" FH SMS.



Stocked Product

No.	Size	Projection	Finish
576	1" x 5-7/16"	7"	613, 626

580 - Surface Bolt

Steel, stainless steel.

Features:

- UL listed for use on inactive leaf of a pair of 3-hour labeled fire doors.
- Includes a universal top strike and a mortise bottom strike.
- Fastener: 8 ea. #10 x 1 1/4" FH SMS, 8 ea. #10 - 24 x 1" FH MS.

Stocked Product

No.	Bolt Length	Finish
580-8	8"	626



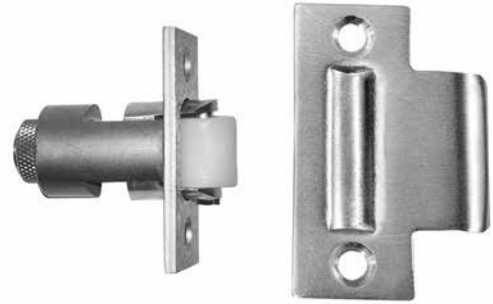
Rockwood

594 - Roller Latch with No. 161 Strike

Cast brass.

Features:

- Solid nylon roller for durable silent operation.
- Simple adjustment for roller projection.
- Fastener: Body: 2 ea. #8 x 3/4" FH combo screws.
Strike: 2 ea. #8 x 3/4" FH combo screws.



Stocked Product

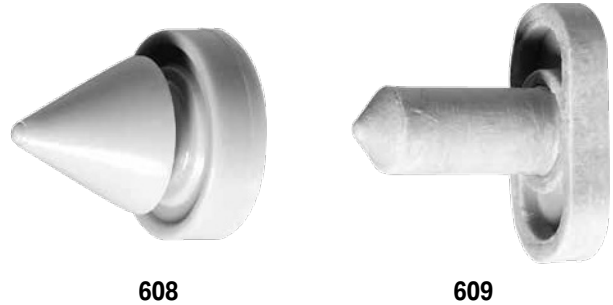
No.	Latch Face	Strike	Finish
594	1-1/8" x 2-1/4"	1-1/8" x 2-3/4"	613, 626

608, 609 - Door Silencers

DuraFlex gray rubber.

Stocked Product

No.	Size	Frame type
608	1/2" dia. x 5/8"	Metal
609	3/8" x 3/4"	Wood



622 - 190° Door Viewer

Brass.

For 1-3/8" to 2-1/8" Doors

Stocked Product

No. Finish 622 626



Rockwood

2601AB, 2601C - Mounting Brackets (for Soffit Applied Hardware)

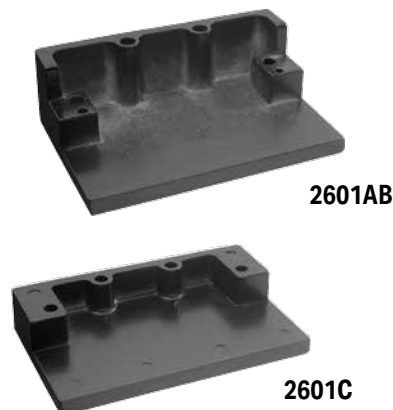
Aluminum.

Features:

- Used for stop applied hardware. Prevents the inadvertent disabling of the coordinator by fasteners passing through the housing.
- Fastener: 4 ea. 1/4 - 20 x 1/2" FH MS, 4 ea. #12 - 24 x 2" FH MS.

Stocked Product

No.	Soffit Size	Length	Finish
2601AB	7/8" - 2-1/4"	5"	Black prime coat
2601C	Over 2 1/4"	5"	Black prime coat



2672, 2696 - Door Coordinators

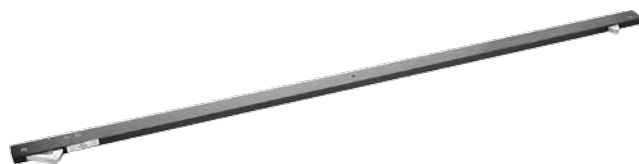
Steel.

Features:

- Non-handed. Override protection to prevent damage in case of abnormal force on door. Mechanism and filler bar completely fill width of opening and when painted to match frame it becomes virtually invisible
- Fastener: 7 ea. #12 - 24 x 1 1/4 TH type C tapping screws.

Stocked Product

No.	Opening	Finish
2672	72"	Black prime coat
2696	96"	Black prime coat



1700- Universal Door Coordinator

Steel, aluminum.

Features:

- Fastener: 6 ea. #10 x 1 3/4" TH SMS, 6 ea. #10 - 32 x 1 1/2" TH MS.

Stocked Product

No.	Size	Finish
1700	1-1/2" x 20-1/8" x 58"5"	Black prime coat



Rockwood

2842 - Automatic Flush Bolt

Brass, stainless steel.

Features:

- For Fire Rated Metal Doors labeled A, B, C, D & E up to 4'w x 8'h.
- Non-handed.
- Fully automatic—opening active door retracts top and bottom bolts.
- Override feature prevents damage to doors or bolts if bolt heads are blocked from entering strikes.
- Bolt head rods are adjustable up to 1-1/2".
- Thermal lock automatically locks the inactive door under high heat conditions due to fire.

Stocked Product

No.	Size	Finish
2842	1" x 6-3/4"	613, 625, 630
ANSI A156.3: Type 25		



2942 - Automatic Flush Bolt

Brass, stainless steel.

Features:

- For Wood Doors labeled B, C, D & E up to 4'w x 9'h.
- Non-handed.
- Fully automatic—opening active door retracts top and bottom bolts.
- Override feature prevents damage to doors or bolts if bolt heads are blocked from entering strikes.
- Bolt head rods are adjustable up to 1/2".
- Thermal lock automatically locks the inactive door under high heat conditions due to fire.

Stocked Product

No.	Size	Finish
2942	1" x 8-1/2"	613, 625, 630
ANSI A156.3: Type 25		



Rockwood

911 - Adjustable Ball Catch - Square Corners

Features:

MATERIAL: BRASS
FASTENER: 4EA #6 x 3/4 FH SMS

OTHER: wide strike for mounting on jamb, catch in door.
Dual adjustment for door clearance and holding strength.

BODY SIZE: 1" X 2-1/8"
STRIKE SIZE: 1-3/8"W X 2-1/8"

**Stocked Product**

No.	Body Size	Strike Size	Finish
911	1" x 2-1/8"	1-3/8" x 2-1/8"	626

