

Norton 1601 Series Multi-Sized Closers - Packed 6 per case

Features

Two Power Ranges:

Each series can be adjusted through a range of sizes: Series 1601 Normal Power Range Closers, sizes 3 thru 6. Series 1601BF Accessibility Code Closers, sizes 1 thru 4.

Booster Spring:

Specially designed booster spring is engineered into each unit to provide additional and necessary closing force for doors which travel beyond 110° of swing.

Tri-Style Installation:

Packaged for regular arm, top jamb or parallel arm installation.

Aluminum Alloy Shell:

Norton closer shells are constructed of a special aluminum alloy which is lightweight and offers proven durability.

Rack & Pinion Operation:

Provides a smooth transmission of power, for control of the door through its full opening and closing cycle.

Adjustable Sweep Speed:

An independent regulating valve, hex-key-operated, permits adjustment of the general closing speed.

Adjustable Latch Speed:

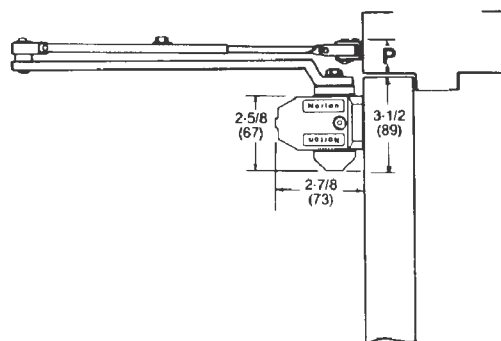
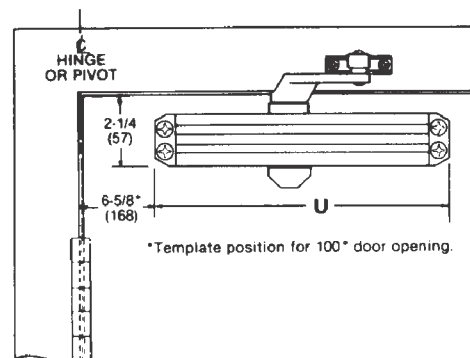
An independent regulating valve, hex-key-operated, permits adjustment of the door's speed for approximately the last 10° of the closing cycle.

Adjustable Backcheck Cushioning:

An independent regulating valve, hex-key-operated, provides an adjustable hydraulic cushion to the door opening speed toward the end of the opening cycle.

Note: Norton Series 1601BF door closers will meet the requirements of the Americans With Disabilities Act (A.D.A.), and will comply with industry standards for opening and closing forces as established by the Builders Hardware Manufacturing Association (B.H.M.A.).

Option H: Hold open arm function



Stocked Product

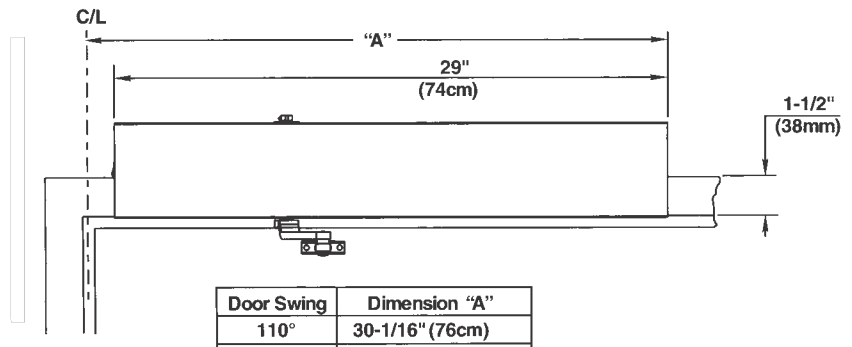
Regular, BF,
H stocked in 689 only
689 (aluminum)
690 (dark bronze)

Norton

5740 - Low Energy Operator

Features

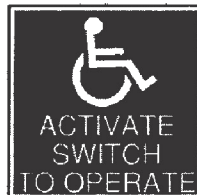
- Universal push or pull side mounting
- Acceptable for fire rated doors
- Door can be manually operated if desired
- 1600 closer has adjustable spring power, back check, latch and sweep valves
- Hold open options 0-30 seconds
- Motor stops if door is obstructed during an opening
- UL Listed and ANSI A156.19 meets ANSI A156.4
- When door is manually opened, the drive train and motor are not engaged
- 5710 pull side
- 5730 push side



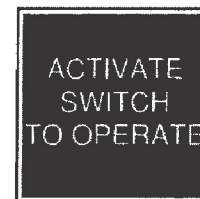
Signage Supplied Standard



428 (2 per Operator)



429 (1 per switch)



433 (1 per switch)

Stocked Product
689 (aluminum)

Norton

5740 - Accessories

539 - Radio Frequency Receiver

- 433 MHz



Stocked Product
539

505 - Activating Door Switch

- 6" W. x 6" H.
- 9 volt battery
- 15 amp @ 125VAC
- Flush mounted
- Stainless steel with blue letters



Stocked Product
505
555 - 6" square surface mount box

548 - Transmitter

- Converts existing hard wired push plates to work with RF receivers offered after June 2013
- Single channel
- 9 volt



Stocked Product
548

Norton

7500 Series

Applications

Series 7500 closers are narrow projection door controls: projection is just 2 1/8" from the surface of the door or jamb. They are complete with covers finished to suit the decor of other hardware. They are available with sprayed covers or BHMA plated finishes. Norton Series 7500 closers are non-handed and are packaged with both a mounting shoe and soffit plate. Any Series 7500 can be installed Regular Arm or Parallel Arm. It can also be installed top jamb where frame face and frame reveal permit, it can be installed on either right or left hand doors.

Options

BF: No longer need to specify. All 7500's have new spring for size 1-6

CLP: Built in stop effective at one point at installation from 85°-110°.

Parallel arm application only

DA: Delayed Action Closing

H: Hold open arm function

PR: Parallel rigid arm (heavy duty)

SNB: All closers packed with sex nuts and bolts

U.L. Listing

All Norton Series 7500 Closers with non-hold-open arms are listed by Underwriters Laboratories, Inc. for use on labeled fire doors. Series 7500 are Accessibility Code Closers and are adjustable in a 1 thru 6 size range.



Regular Arm

This is the only pull side application where a double lever arm is used. It is the most power efficient application for a door closer. Sufficient frame, door and/or ceiling clearance must be considered. Since the arm assembly projects directly out from the frame, this application may present an aesthetic issue or be prone to vandalism.

All closers are stocked, packed tri-pack with parallel arm bracket

Stocked Product

Options Stocked: H, Regular, CLP

689 (aluminum)

690 (dark bronze)

8500 Series

Features

This series incorporates independent sweep and latch speed adjustments. In addition, adjustable spring power and adjustable backcheck cushioning are standard features. Adjustable delayed action closing is available as an option in addition to the adjustable backcheck cushioning feature. Norton also offers a Multi-Size Door Closer Series which features adjustable spring power thru a range of sizes. Series 8501 has adjustable power in the Normal Power Range of sizes 1 thru 6. These closers offer low opening resistance for handicapped accessibility but still provide acceptable door control.

Options

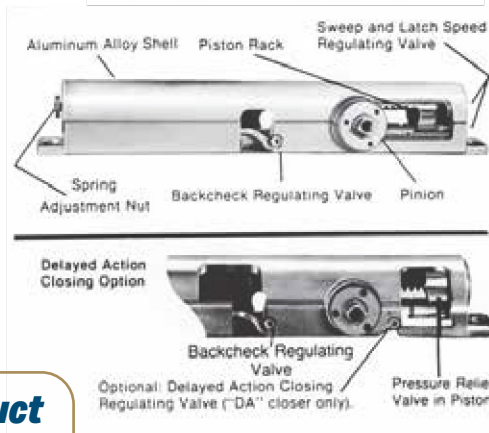
BF: No longer needed. all 8500's have new spring for size 1 thru 6

CLP: Built in stop effective at one point at installation from 85°-110°. Parallel arm application only

DA: Delayed action closing

H: Hold open arm function

SNB: All closers packed with sex nuts and bolts



Stocked Product

Options Stocked: CLP, DA, H

689 (aluminum)

690 (dark bronze)

Norton - Parts & Accessories

Sex Nuts only (bolts excluded)(SN) SB/SN-134



Grommet Nuts and Bolts (TBGN) TBGN 134-38 F1600 & 1800 only



Complete Mounting Screw Parts

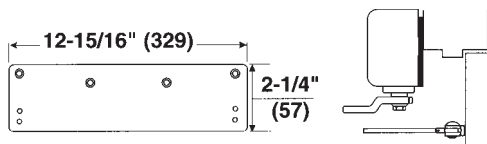


1601 MSP 690
7500 MSP 690

Stocked Product

689 (aluminum)
690 (dark bronze)

8501 Series Top Jamb Closer: Closer Mounting Plates

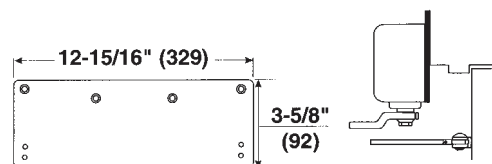


Low Ceiling Clearance - #8146 Drop Plate

For use where low ceiling clearance prevents normal top jamb mounting. This plate is used when clearance is from 1-7/8" to 2-7/8" (48mm to 73mm). Where ceiling clearance is less than 1-7/8" (48mm) see #8148 Drop Plate detailed in the following text.

Overhead Door Holder - #8146 Drop Plate

For use where a surface or concealed overhead door holder prevents normal top jamb mounting. This plate drops the closer and allows arm mounting screws to clear the bottom of the door holder. This places the centerline of the arm mounting screws at 2-7/8" (73mm) from the top of the door.



Low Ceiling Clearance - #8148 Drop Plate

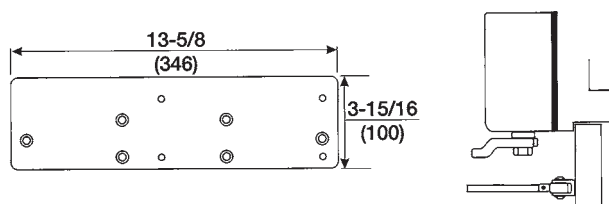
For use where the ceiling clearance is between 1-1/2" and 1-3/4" (38mm and 44mm).

Stocked Product

8146 689, 690
8148 689, 690

Norton - Parts & Accessories 7500 Series

Closer Mounting Plates - Top Jamb Arm



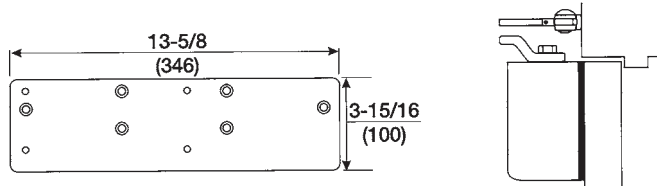
Narrow Frame - #7786 Back Plate

For use where a narrow frame face prevents the closer from being mounted directly to the frame. This Back Plate must be used for closer mounted on a frame between 1-7/8 and 3-1/8 (48mm and 79mm) in height.

Stocked Product

689 (aluminum)
690 (dark bronze)

Closer Mounting Plates - Regular Arm



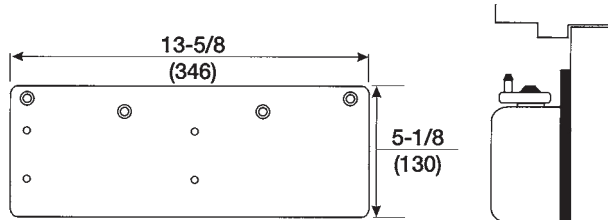
Narrow Top Rail - #7786 Drop Plate

For use where the narrow top rail of the door prevents the closer from being mounted directly to the door surface. This drop plate must be used for closer mounted on a top rail between 1-7/8' and 3-3/8" (48mm and 86mm) in height.

Stocked Product

689 (aluminum)
690 (dark bronze)

Closer Mounting Plates - Parallel Arm



Narrow Top Rail - #7788 Drop Plate

For use where a narrow top rail prevents the closer from being mounted directly to the door surface. This drop plate can be used to mount a closer on a top rail as narrow as 2-1/2" (64mm) in height.

Stocked Product

689 (aluminum)