

LCN - Closers

1260 - Series Closers

The LCN 1260 Series combines the best features from the previous 1070 and 1370 into a single versatile and economical cast iron closer, with dual mounting capability. The 1260 is adjustable spring sizes 1-5 and mounts to the most common commercial footprint. The 1260 also features a complete line of regular and extra duty arms, LCN's peel-n-stick installation templates, a convenient spring adjust pointer, and an optional Quick Fix™ bracket kit.

UL and cUL listed for self-closing doors without hold-open. Tested and certified under ANSI Standard A156.4, grade one.

*Closer Mounts
*Hinge (Pull) Side
Top Jamb (Push Side)
Parallel Arm (Push Side)*



Features:

- Standard 1260 series closer shipped with regular arm, a shaft cover, and self reaming and tapping screws.
- Non-sized (1-5) cylinder is adjustable for interior doors to 4'6" and exterior doors to 3'6".
- Closer mounts hinge side, top jamb and parallel arm on either right or left swinging doors.
- Mounts to most common commercial footprint (3/4" x 9 1/16").
- Closer meets ADA requirements.
- Optional Quick Fix™ bracket kit.
- Optional SRI primer for installations in corrosive conditions.
- Optional Slim Line cover. (Special Order Only)

Stocked Product:

1261 RW/PA: AL (689) & DRK BRZ (695)

LCN - Closers

1450 - Series Closers

The 1450 Series cast aluminum closer was specially designed to deliver consistent, dependable, long-term performance in frequently-used, low-abusive traffic areas. The patented design, featuring the industry's most common hole pattern, is an excellent choice for a range of applications - from aftermarket replacement to aluminum store fronts, to new construction projects - anywhere quality, reliability and value are important.



*Closer Mounts
*Hinge (Pull) Side
Top Jamb (Push Side)
Parallel Arm (Push Side)*

Features:

- Cast Aluminum
- All weather fluid
- Non-handed
- Peel-n-stick templates for fast and accurate installation
- UL and cUL listed
- Adjustable spring size 1-6
- Standard 1450 series closer shipped with tri-pack arms; regular, parallel and top jamb arms, slim line plastic cover and universal screw pack: self-reaming and tapping; 1 3/4" thru bolts; machine screws and wood screws.
- Cover options include full plastic cover.
- Non-sized (1-6) cylinder is adjustable for interior doors to 5'0" and exterior doors to 4'0".
- Closer mounts hinge side, top jamb and parallel arm on either right or left swinging doors.
- Closer meets ADA requirements.
- Optional plated finish full metal cover, arm and fasteners. (Special order only)
- Tested and certified under ANSI Standard A156.4, grade one.
- Optional SRI primer for installations in corrosive conditions. (Special order only)

Stocked Product

1450

Aluminum, Dark Bronze

LCN - Closers

1461-Series Closers

The 1460 SUPER STOCK is a double lever arm, slim line closer designed for use on narrow head frames and top rails. A wide choice of options, mounting accessories and ease of installation offers maximum versatility.



UL and ULC listed for self-closing doors without hold-open. Tested and certified under ANSI Standard A156.4, grade one.

Features:

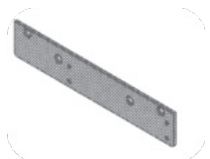
- Standard 1460 series closer shipped with regular arm (non-hold-open), a slim line non-metallic cover, and thru bolts with machine screw packs.
- Non-sized cylinders adjustable for interior doors to 5'0" and exterior doors to 4'0"
- Closer mounts hinge side, top jamb, and parallel arm on either right or left swinging doors. All closers are stocked tri pack with parallel arm bracket.
- Closers meet ADA requirement.

Stocked Product

- Hold open (H) Non handed arm mounts hinge side or top jamb
- H CUSH -Non handed parallel arm features solid forged steel main arm and forearm with stop in soffit shoe
- DEL -Delay closing from 110° to 65° or 160° to 75° depending on templating. Delay time up to 1 minute
- EDA -Extra duty arm non handed parallel arm features forged solid steel main and forearm for potentially abusive installations
- **Finishes:** Aluminum and Dark Bronze

1460-18

Drop plate used with standard slim line cover

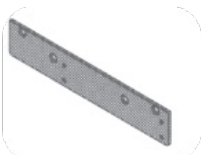


Drop plate used with standard slim line cover

- Required for hinge side mount where top rail is less than 2-1/2"
- Required for top jamb mount where head frame is less than 1-3/4"
- Plate requires minimum 1-1/2" top rail or 1-1/4" head frame

1460-18PA

Drop plate used with standard slim line cover

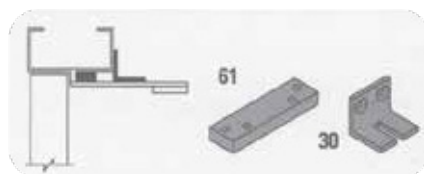


Drop plate used with standard slim line cover

- Required for parallel arm mounting where top rail is less than 4-3/8"
- Plate requires 1-3/4" minimum top rail.

1460-30

Provides anchor for fitting screw used with CUSH arms where reveal is less than 3-1/16"

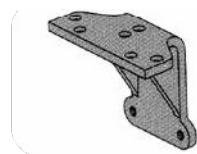


1460-61

Lowers parallel arm shoe to clear 1/2"

1460-62A

Optional shoe replaces -62PA for parallel arm mounting of regular arm with Glynn-Johnson overhead holder stop. Special templating required.



Stocked Product

1460-18	Aluminum
1460-18PA	Aluminum
1460-30	Aluminum
1460-61	Aluminum
1460-62A	Aluminum

LCN - Closers

2030-Series Closers

The concealed 2030 Series PACER[®] is a heavy duty closer designed to fit in a narrow, minimum 1 3/4" aluminum transom. The single lever arm and roller assembly provide smooth, quiet door control and the choice of finishes and track functions meet virtually all architectural requirements. The 2030 Series is UL & cUL listed for self-closing doors, without hold-open. Tested and certified under ANSI Standard A156.4, grade 1.



Features:

- Standard 2030 series closer shipped with standard arm, standard track, mounting/finish plate, and wood and machine screw pack.
- Sized cylinders for interior doors to 4'6" and exterior doors to 3'6".
- Handed for right or left swinging doors.
- Aluminum frame requires minimum 1 3/4" (44 mm) x 4" (102 mm) tube.
- Closer 2031 to meet ADA requirements.
- Standard or optional custom powder coat finish.
- Optional plated finish on arm, fasteners and finish plate.

Stocked Product

Part#	Description	Finish
2031	LH (ADA)	AL
2031	RH (ADA)	AL
2033	LH Size 3	AL
2033	RH Size 3	AL
2034	LH Size 4	AL
2034	RH Size 4	AL

LCN - Closers

4040XP-Series Closers

The 4040XP is a heavy duty, double lever arm closer designed for institutional and other high traffic applications. The wide choice of options, installation accessories and ease of installation offers maximum versatility. UL and ULC listed for self-closing doors without hold-open.

Tested and certified under ANSI Standard A156.4, grade one.

Features:

- Standard 4040XP series closer shipped with regular arm (non-hold-open), standard non-metallic cover, and thru bolts with machine screw packs.
- Non-sized cylinders adjustable for interior doors to 5'0" and exterior doors to 4'0"
- Closer mounts hinge side, top jamb, and parallel arm on either right or left swinging doors. All closers are stocked tri pack with parallel arm bracket.
- Closers are packed 4 per case, packed with thru-bolt (TB) and self reaming, tapping screws (SRT)



Stocked Product:

- 4040XP RW/PA AL, DB, BLACK
- CUSH option - parallel arm feature with solid forged steel main arm and forearm with stop in soffit shoe. - AL, DB
- HCUSH option - hold open function with templated stop / hold open point. Handle in arm controls hold open function. - AL
- Extra Duty (EDA) option - parallel arm features forged, solid steel main arm and forearm for high frequency doors. - AL, DB
- Delayed Action (DA) - delays closing from 120° to 80°. Delay time adjustable up to 1 minute. - AL
- Hold Open - arm mounts pull side or top jamb with shallow reveal hold open adjustable shoe. - AL, DB
- SCUSH: Optional non handed parallel arm for abusive applications, features solid forged steel main arm and forearm with spring loaded stop in the soffit shoe. Handle in arm controls hold open function. - AL
- SH CUSH: Optional non handed parallel arm for abusive applications; features solid forged steel main arm and forearm with spring loaded stop in the soffit shoe. Hand controls hold-open function. - AL

4040XP - Series Accessories



PLATE 4040XP-18

Required for hinge side mount where top rail is less than 3-3/4". Plate requires minimum 2" top rail.

Stocked Product

Finish: Aluminum, Dark Bronze

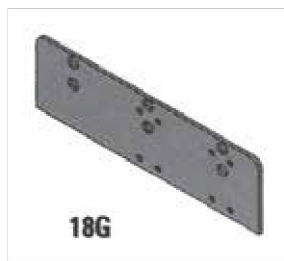


PLATE 4040XP-18G

Locates top jamb mounted closer flush with top of head frame face in flush ceiling condition. Plates requires 1-3/4" minimum head frame.

Stocked Product

Finish: Aluminum, Dark Bronze



PLATE 4040XP-18PA

Required for parallel arm mounting where top rail is less than 5-1/2" (140mm), measured from the stop. Plate requires 2" (51mm) minimum top rail.

Stocked Product

Finish: Aluminum, Dark Bronze

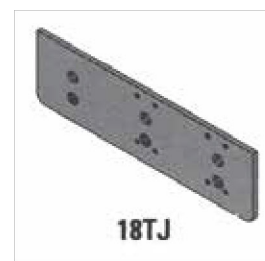


PLATE 4040XP-18TJ

Centers top jamb mounted closer vertically on head frame face in flush ceiling condition. Plate requires 1-3/4" minimum head frame.

Stocked Product

Finish: Aluminum, Dark Bronze

LCN - Closers

PA SHOE 4040-62



Finish: Aluminum

Thru Bolt Only

For 1-3/4" door (less screw)



Finish: Aluminum, Dark Bronze

ADAFG

Force Gauge



4010 -Series Closers

Features:

- Regular arm with non metallic cover
- Non sized cylinder adjustable
- Hinge size mounting
- Designed for high traffic applications

Specifications

- Meets ANSI A156.4 Grade 1
- Handed
- 10 year warranty



Stocked Product:

Item #	Handing	Finish
4011	LH, RH	Aluminum

4110-Series Closers

The 4110 SMOOTHIE is a heavy duty, parallel arm closer designed for institutional and other high traffic applications. This handed closer is specifically designed for parallel arm mounting and has passed 10,000,000 cycles in independent testing. The wide choice of options, installation accessories and ease of installation offers maximum versatility.

The 4110 Series is UL and ULC listed for self-closing doors without hold-open. Tested and certified under ANSI Standard A156.4, grade one.

Features:

- Standard 4110 series closer shipped with non-hold-open Extra Duty (EDA) arm, standard nonmetallic cover, 4110-201 FIFTH SCREW SPACER and thru bolts with machine screw packs.
- Sized cylinders adjustable for interior doors to 5'0" and exterior door to 4'0".
- Non-sized cylinder adjustable for interior doors to 4'6" and exterior doors to 3'6".
- Closer mounts parallel arm, specify right or left swinging door.
- 4111 cylinder meets ADA requirements.
- Stocked Aluminum, Dark Bronze



Stocked Product:

Item #	Handing	Finish
4111	LH, RH	Aluminum, Dark Bronze

4110 - Series Accessories

PLATE, 4110-18

Required for push side mount where top rail is less than 5-1/8", measured from the stop. Plate requires minimum 2" minimum top rail. Plate also used with Cush Arm installation.



Stocked Product

Finish: Aluminum, Dark Bronze

6440 -Series COMPACT™ Automatic Operator

The LCN 6400 COMPACT™ Series low energy automatic operator can help your facility meet basic needs related to accessibility and touchless access on interior openings. Whether you are upgrading a single opening, renovating a portion of your building or constructing a new facility, the COMPACT series enables you to promote a healthy and accessible environment.

The COMPACT motor gearbox assembly is surface installed on the door or top jamb and attaches to the 4040XP with a mounting plate and just 4 screws. It can be powered by a standard wall outlet or an external power supply. The operator includes a wiring harness with a wall adaptor plug that steps down the building's 110 voltage to 24VDC. A door loop kit is included to route the wiring from the door to the wall.

Features

- Configurable power input to allow for simple wall plug-in or external power supply
- Compact user interface for electronic feature adjustments
- Simple calibration set-up with visible and audible feedback
- Adjustments via mechanical closer to meet closing force preferences
- Power boost to overcome interior stack pressure and allow for lower spring settings
- Compatible with 3 different 4040XP mounting configurations
- Fire input to deactivate actuation upon signal
- Dedicated input for actuation signal (hardwired or wireless receiver)
- Certified to UL 10C, UL 325 and UL 228
- Certified to ANSI Standard A156.19
- Compliant with ANSI Standard A117.1

Specifications

Handed	No
Mounting options	Mounts directly onto 4040XP: • Pull side (door mount) • Parallel arm (door mount) • Top jamb (push side frame mount)
Header dimensions	12 1/4" W x 7 1/4" H x 3 3/4" D
Door weight limit	185 lbs

Compatibility

Entryway	Interior openings only
Cylinder	4040XP standard cylinder only
Arm	REG or RwPA only
Hardwired actuators	Any hardwired actuator
Wireless actuators	Any RF receiver and actuator/transmitter in the LCN 8310 Series



Components included

- Gearmotor assembly, mounting plate and screws
- Cover and switch insert
- Wall adapter
- Door loop
- 30 ft of copper wire (not pictured)

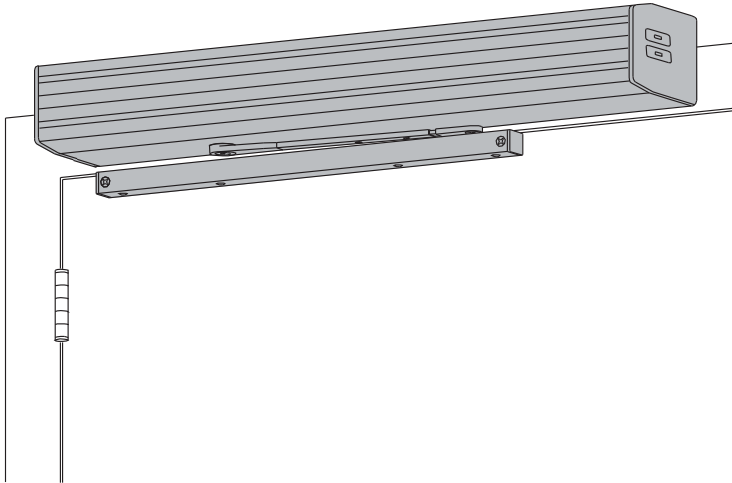
Stocked Product:

Item #	Finish
6440	Aluminum

LCN - Closers

4630 -Series Closers

TOP JAMB (PULL SIDE) MOUNTING

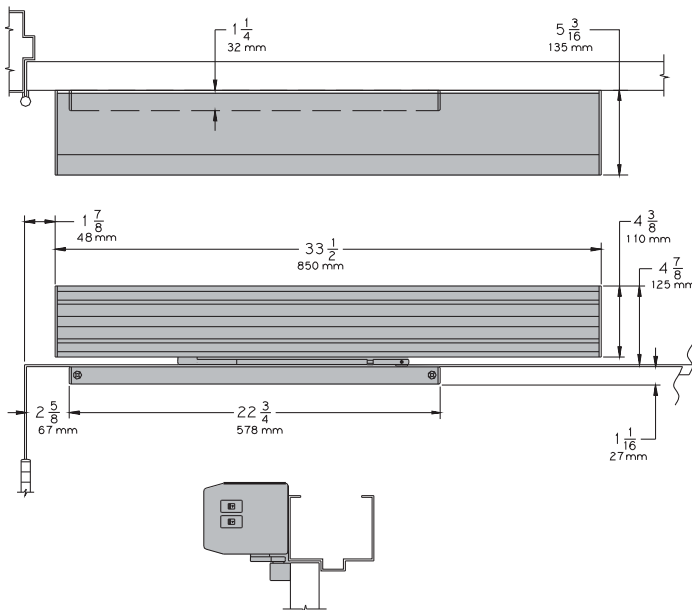


Features:

- Electrically powered low-energy power operator.
- Designed primarily for manual opening applications that occasionally required automatic opening.
- Standard, top jamb (pull side) mounted 4630 series closer shipped with single lever (standard) arm, metal cover, standard track, and wood and machine screw pack.
- Meets ADA requirements (power mode).
- Non-sized cylinders for interior doors to 4'0" and exterior doors to 3'0". Non-handed for either right or left swinging door.
- 4630 has easily accessible switches to provide on/off and continuous hold open functions. 4630CS provides concealed on/off power switch. Control module provides all timing and sequential door functions, electric strike controls and adjustments for opening speed and force.
- Standard or optional custom powder coated finish, end caps are black. Optional plated finish on cover, arm, and fasteners.

Specifications

- 4630 Series is UL and cUL listed with standard arm for self-closing doors and meets the provisions of ANSI Standards A117.1, A156.19, and the Americans with Disabilities Act.



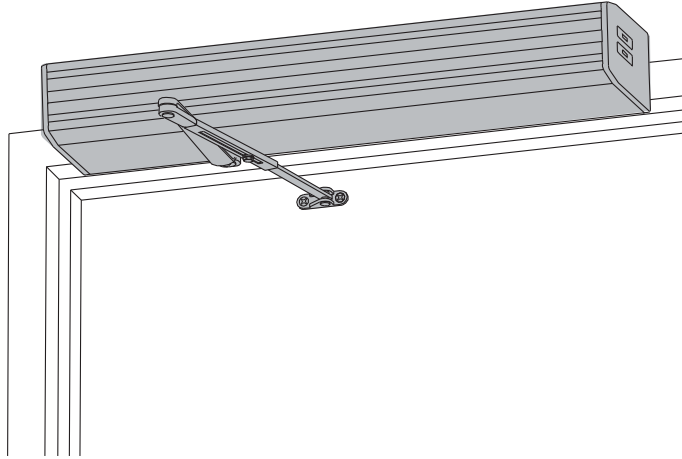
Stocked Product

4631 Aluminum

LCN - Closers

4640 -Series Closers

TOP JAMB (PUSH SIDE) MOUNTING

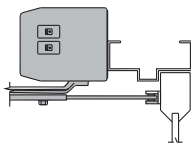
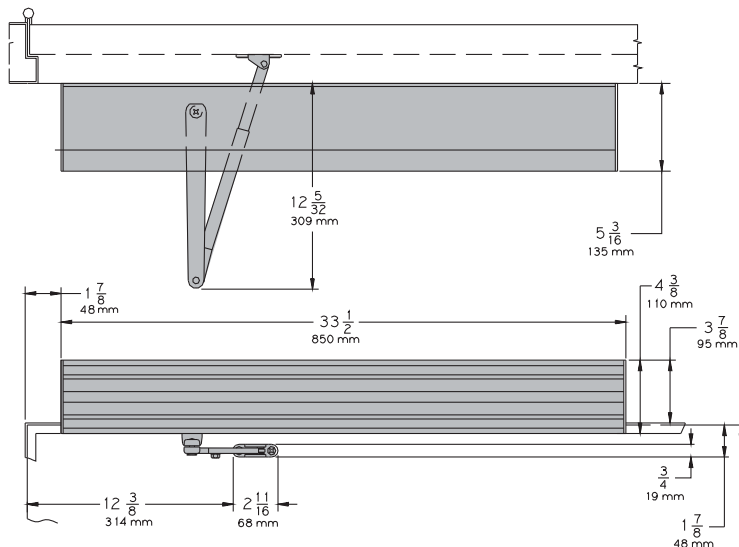


Features:

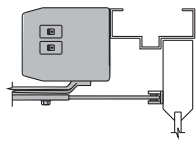
- Electrically powered low-energy power operator.
- Designed primarily for manual opening applications that occasionally required automatic opening.
- Standard, top jamb (push side) mounted 4640 series closer shipped with regular arm, metal cover, and wood and machine screw pack. Meets ADA, requirements (power mode).
- Non-sized cylinders for interior doors to 4'6" and exterior doors to 3'6". Non-handed for either right or left swinging door.
- 4640 has easily accessible switches to provide on/off and continuous hold open functions. Control module provides all timing and sequential door functions, electric strike controls and adjustments for opening speed and force.

Specifications

- The 4640 Series is UL and cUL listed with regular arm for self-closing doors and meets the provisions of ANSI Standards A117.1, A156.19, and the Americans with Disabilities Act.



Standard Mount



Flush Ceiling Mount

Stocked Product

4642

Aluminum

LCN - SEM 7800 Series

7850 - Series Magnets

Standard profile recessed wall mount.
 2" (51 mm) x 4" (102 mm) x 1 1/2" (38mm).
 Outlet box not included.
 Also available 1980 plastic housing.

SEM 1980

Plastic Housing

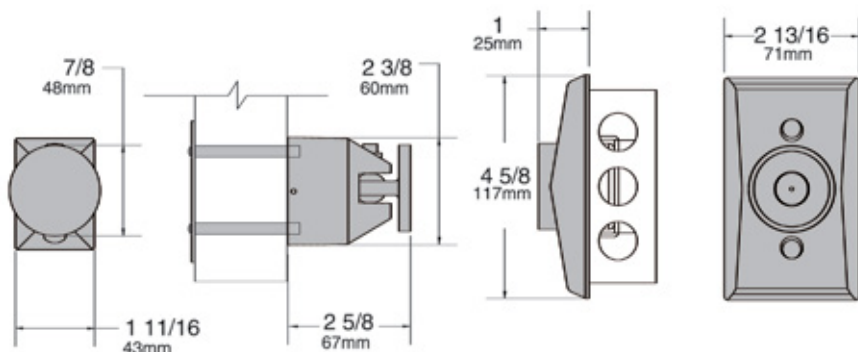
SEM 7850



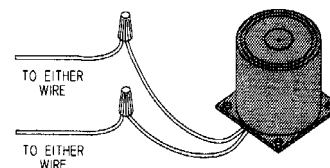
Total Projection = 3 5/8" (92 mm)

Dimensions apply for both SEM 7850 & SEM 1980

ELECTRICAL DATA



INPUT VOLTAGE
 24V AC/DC
 OR
 120V AC
 (USUALLY FROM
 ALARM PANEL
 OR DETECTOR)



24V AC/DC or 120V AC input. Heavy duty electromagnet is protected against transients and voltage surges up to 600 volts.

24V AC/DC nominal
 +10%- 15% @ .110 amp. maximum.

120V AC nominal
 +10%- 15% @ .020 amp. maximum.

An SED transformer (4040SED-321 0) can be used to reduce line voltage where desired. It will power up to three magnets.

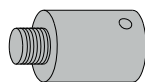
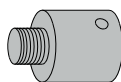
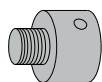
Primary 120V AC 50-60 Hz
 Secondary 24V AC @ .400 amp. maximum.

SEM 7810 - Extensions

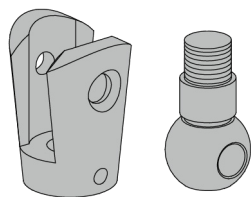
SEM 7810E050 1/2"

SEM 7810E075 3/4"

SEM 7810E100 1"



SEM 7810-514 - Assembly Kit



Assembly Kit is required for each door needing extensions. Kit includes coupler link and ball pivot (alone serves as a 1-1/2" extension).

Stocked Product

SEM 1980	689, 695
SEM 7850	689, 695
SEM 7810E050 1/2" extension	689, 695
SEM 7810E075 3/4" extension	689, 695
SEM 7810E100 1" extension	689, 695
SEM 7810-514 assembly	689, 695

LCN

8310-856T - Series
Round Surface 4-1/2"
Actuator



8310-868S - Series
4-1/2" Box only



