

KABA Access Control

L1000 - Series Lever

Application:

- The L1000 series provides full mechanical push button access with no electrical wiring, electronics or batteries. Exterior access is by combination. Interior egress is free at all times. The lock meets ADA standards

Specifications

- ANSI A156.2 grade 1
- ASA strike
- Backset 2-3/4"
- Door thickness 1-3/8" - 1-3/4"
- Installation ASA 161 door prep. with additional through bore holes required
- Handed not field reversible

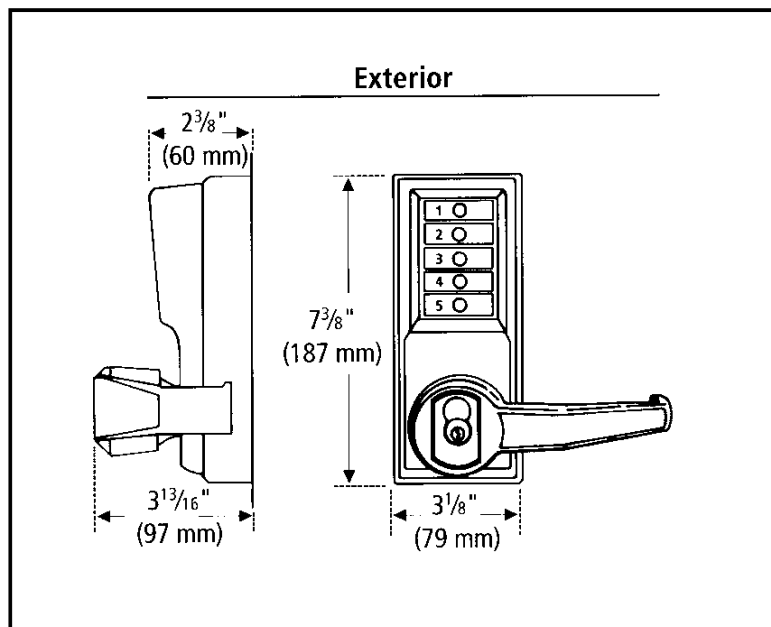


Optional Features:

- Key override - can be used to over ride combination and gain access using a key - **supplied less cylinder**
- Key override is prepped for I.C. cylinders only

Stocked Product

| PART No. | DESCRIPTION | FINISH |
|----------|---------------------------------------|--------|
| L1011 | Lever only | 26D |
| L1021B | Lever with Best Override Less Core | 26D |
| L1021C | Lever with Corbin Override Less Core | 26D |
| L1021S | Lever with Schlage Override Less Core | 26D |



KABA Access Control

LP1000 - Series Lever

Operation:

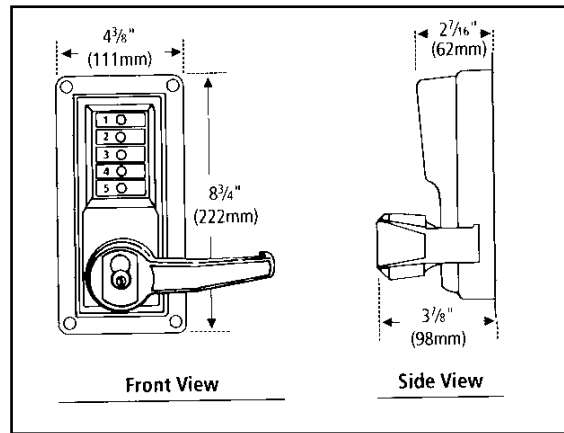
- Designed to operate surface mounted exit devices from the outside. Exit device not supplied. Exterior access is by combination. Egress is by interior exit device and is free at all times

Specifications

- ANSI A156.2 grade 1
- Strike not supplied
- Door thickness up to 2-1/4"
- Handed not field reversible
- Exit device compatibility, Von Duprin EO or EO-F for 22, 88NL, 98, 99, 9857, 9957, Detex Advantex 10, 20, 40 series

Optional Features:

- Key override - can be used to override combination and gain access using a key - **supplied less cylinder**
- Key override is prepped for I.C. cylinders only

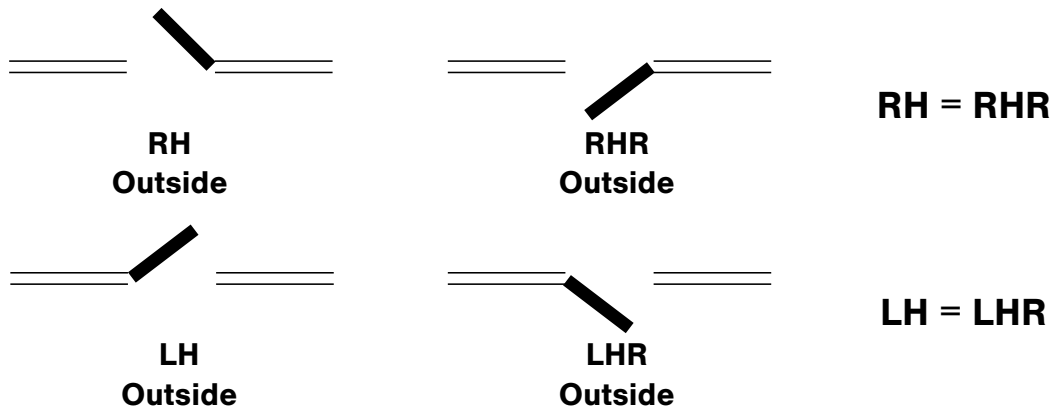


Stocked Product

| PART No. | DESCRIPTION | FINISH |
|----------|--|--------|
| LP1020B | Lever with Best IC Override Less Core | 26D |
| LP1020S | Lever with Schlage IC Override Less Core | 26D |

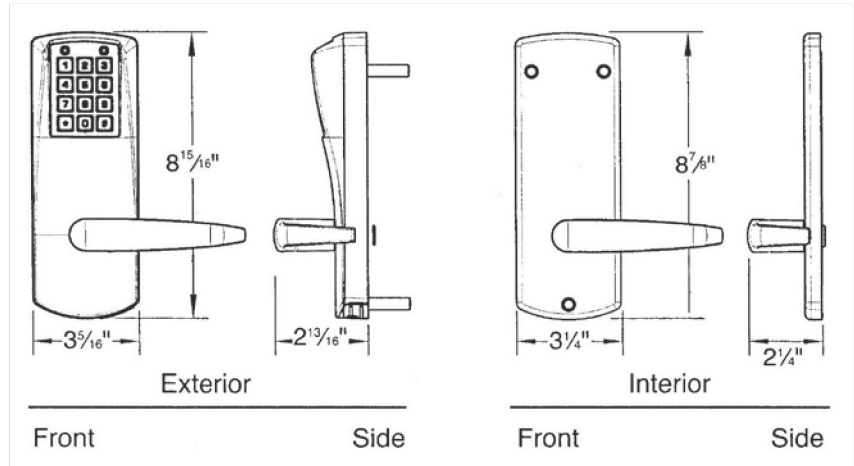
L 1000 & LP1000 Series Door Handing:

You must specify the handing of your door! Look at the door in its closed position standing on the outside (exterior push button side) Note: LP1000 are either LHR or RHR



KABA Access Control

E2031 - Series Cylindrical electronic pushbutton Lock



Features

- Cylindrical latch with UL 10C Fire Rating
- 100 access codes per door, over 100 million possible code combinations
- Locks are easily programmed via keypad
- Non-handed
- Service codes programs for one time access or "come and go" access for 1 to 24 hours
- Code length is adjustable to accept 4 to 8 digits
- Anti-tamper lockout is adjustable from 3 to 9 invalid attempts with an adjustable period of 0 to 90 seconds
- Re-Lock time is adjustable from 2 to 20 seconds
- Batteries located in exterior housing. AAA provides more than 100,000 cycles.
- No wiring to or through the door- no risk of pinched wires
- Backset 2-3/4"; Special order 2-3/8"
- Door Thickness: 1-3/8" to 2-1/2"
- Warranty: 2 year from installation
- With Schlage C keyway override or I/C Best Format

Stocked Product

E2031XS Schlage C: 26D

US26D only also available in US4 special order

E2031BS Schlage IC less Core: 26D

KABA Access Control

5000 - Series Simplex

Features

- Keyless convenience
- Combination can be quickly changed
- Easy to install on wood or metal doors
- 3 year warranty
- Non handed, one lock for both right and left hand door applications
- Easy to maintain - no batteries
- Mechanical key override available in:
 - Schlage C keyway
 - Best I.C. less core
 - Schlage RC less core

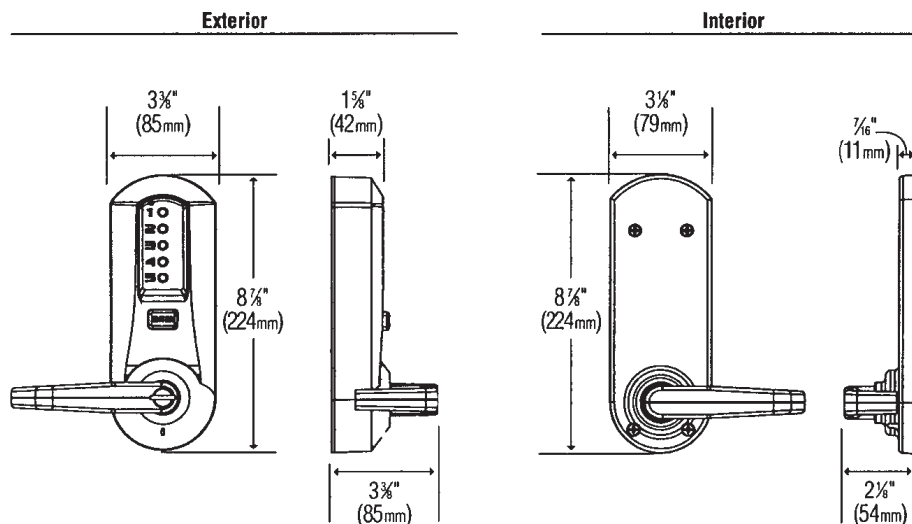


Specifications

- Certified - ANSI / BHMA A156.2 Grade 1
- Compliance - 3 hour UL / ULC fire door rating
- ASA strike
- Backset 2-3/4"
- Door thickness 1-3/8" - 2-1/4"
- Installation ASA 161 with two additional bore holes

Stocked Product

| PART No. | DESCRIPTION | FINISH |
|----------|--------------------------------------|--------|
| 5021XS | Lever with Schlage C Keyway Override | 26D |
| 5021B | Lever with Best Prep Override | 26D |
| 5021S | Lever with Schlage RC prep Less Core | 26D |



KABA Access Control

E5031 - Series Lever

Features

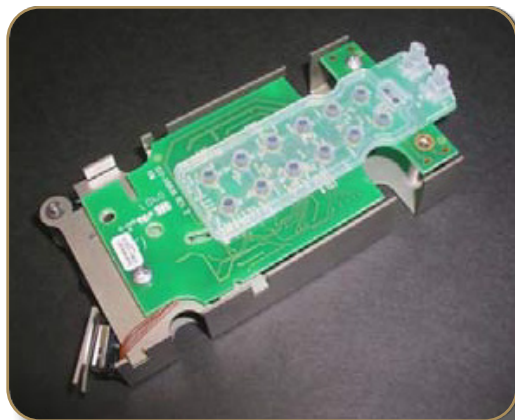
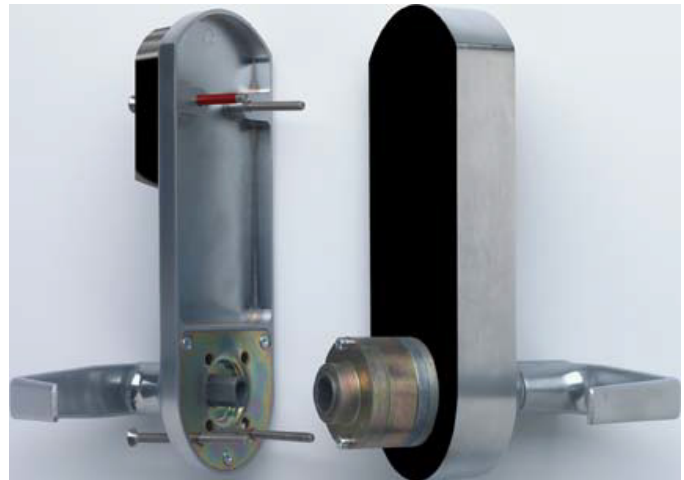
- Accommodates both indoor & outdoor application
- Retrofits to any standard 161 prep
- 3 year warranty from lock activation date
- ADA compliant lever Grade 1
- 100 access codes, programmable passage mode
- Extensive audit trail
- Non handed

Stocked Product

| PART No. | DESCRIPTION | FINISH |
|----------|---|--------|
| E5031XS | Lever with Schlage C Keyway override | 26D |
| E5031B | Lever with Best Prep Override Less Core | 26D |
| E5031S | Lever with Schlage RC Prep Less Core | 26D |



- Installation requires no wires through the door



- Fully contained electronics module in exterior housing