



ABS - AMERICAN BUILDING SUPPLY, INC.



Sliding Wardrobe Doors



1500 Series Bronze Euroframe with Mirror Pictured

At American Building Supply we pride ourselves in offering the highest quality at a competitive price. Every American Wardrobe system has been engineered for durability and will provide years of trouble free use.

Standard Features:

Rattle free top guides, smooth operating bottom rollers with jump resistant bottom track.

Optional:

All sliding wardrobe doors are available with mirror or polar white glass. Polar white glass has a high degree of opacity.

Optional:

Triple Track System to allow 2/3 access to your closet opening - not available in steel units. Custom sizes are available to fit your special opening.



Aluminum Frameless/Thinline Sliders

SERIES 4100

The Aluminum Frameless System:

- Standard self adjusting anti-rattle top guide and high quality bottom rollers & track
- Offers 'edgeguard' stiles
- Frameless stiles: 1/16" face measurement
- Thinline stile: 3/8" face measurement
- Rails: 3/8" face measurement
- Top track: 3-3/8"W, 1-7/8"H
- Bottom track: 2-7/8"W, 9/32" H
- Mirror fascia available in 8' lengths

Colors available: Bright Gold, Bright Silver



Aluminum Thinline version pictured



4100 Bright Silver Frameless with Polar White Glass

Create the illusion of larger square footage with the Series 4100 frameless system or the fine detail of the thinline. Both will add brilliant elegance to any room. The Series 4100 frameless comes standard with polished edge mirror or you can order it with 1/2" bevel to add that extra touch of elegance. Bright Silver frame with Polar White glass option pictured.

Painted Steel Frameless/Thinline Sliders



4000 Series Satin Gold Thinline Frame with Mirror

Give your room the mirrored wall look with the Series 4000 frameless system or the fine detail of the thinline. Both will add elegance to any room. The Series 4000 frameless comes standard with polished edge mirror or you can order them with 1/2" bevel to add that extra touch of elegance. Satin Gold frame with mirror pictured.

SERIES 4000

The Steel Frameless System:

- Standard self adjusting anti-rattle top guides and high quality bottom rollers & track
- Offers 'edgeguard' stiles
- Frameless stiles: 1/16" face measurement
- Thin line stile: 3/8" face measurement
- Rails: 3/8" face measurement
- Top track: 3-3/8"W, 1-7/8"H
- Bottom track: 2-7/8"W, 1/2" H

Colors available: White, Satin Gold



Steel Frameless version pictured

Aluminum Wide Stile Sliders



3100 Series Black Frame with Polar White Glass

**NEW
COLOR!**

Give your room the look you have always wanted with the Series 3100. Wide aluminum stile framing makes a bold statement. An aluminum frame and track mirror bi-pass, that is bottom rolling and top guided on an engineered "jump resistant" track system. Black frame Polar White glass option pictured.

SERIES 3100

The Aluminum System:

- Standard self adjusting anti-rattle top guides and high quality bottom rollers & track
- Stiles: 1-1/2" face measurement
- Rails: 5/8" face measurement
- Top track: 3-3/8"W, 1-7/8"H
- Bottom track: 2-7/8"W, 9/32" H

Colors available: White, Black, Anodized Gold, Bright Gold, Bright Silver, Brushed Nickel



Black aluminum version pictured

Aluminum Narrow Stile Sliders

SERIES 2100

The Aluminum System:

- Standard self adjusting anti-rattle top guides and high quality bottom rollers & track
- Stiles: 7/8" face measurement
- Rails: 5/8" face measurement
- Top track: 3-3/8"W, 1-7/8"H
- Bottom track: 2-7/8"W, 9/32" H

Colors available: White, Anodized Gold, Bright Gold, Bright Silver



2100 Series Bright Silver Frame with Mirror

Give your room the look you have always wanted with the Series 2100 narrow aluminum stiles with an innovative, distinctive design. Engineered with an integral pull area for effortless operation. The frame is attached to the mirror with a premium clear vinyl glazing channel that eliminates vibration and noise. Bright Silver frame with mirror pictured.

Painted Steel Mirror Sliders

SERIES 1500

The Steel System:

- Quick and easy to install
- Stiles: 7/8" face measurement
- Euroframe stiles: 1-3/8" face measurement
- Rails: 3/4" face measurement
- Top track: 3-3/8"W, 1-7/8"H
- Bottom track: 2-7/8"W, 1/2" H

Colors available: White, Satin Gold, Bronze, Brushed Nickel Euroframe, Bronze Euroframe



1500 Series Bronze Euroframe with Mirror

The economical solution to enlarge your room. The Series 1500 offers smooth operation as well as long-lasting durability. Bronze Euroframe with mirror pictured.

Painted Steel Vinyl Sliders



1000 Series Satin Gold Frame with White Vinyl

The Series 1000 is the most economical system in our collection. An alternative to hollow core closet doors. Satin Gold frame with White Vinyl panel pictured.

SERIES 1000

The Vinyl System:

- Uses prefinished panel, eliminates painting
- Smooth operating bottom rollers
- Stiles: 7/8" face measurement
- Euroframe stiles: 1-3/8" face measurement
- Rails: 3/4" face measurement
- Top track: 3-3/8"W, 1-7/8"H
- Bottom track: 2-7/8"W, 1/2"H

Frame colors available: White, Satin Gold, Bronze, Bronze or Brushed Nickel Euroframe

Panel color options: White, Oak, Walnut

BRONZE FRAME, WALNUT AND OAK PANEL NOT AVAILABLE IN SOUTHERN CALIFORNIA



White steel frame with white vinyl panel pictured

Beveled glass finger pull accessory included with all Frameless and Thinline 4000 Series and 4100 Series mirror door sliders.

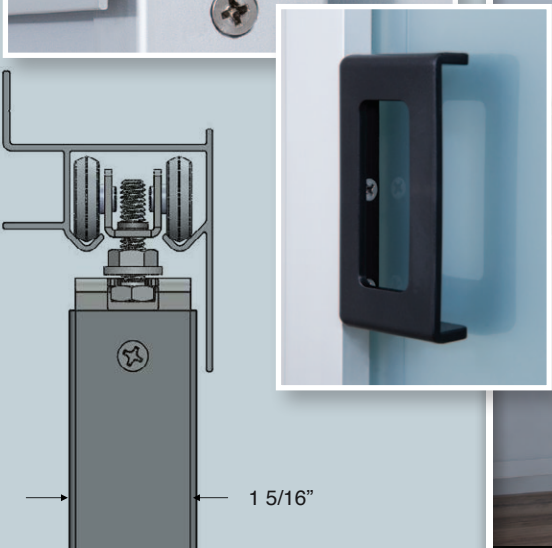
Euroframe Option Available on Series 1000 and Series 1500 in Brushed Nickel and Bronze ➤



Room Dividers/White Laminate

CONTEMPORARY BARN DOOR

- Contemporary modern design
- Satin aluminum frame and top cap
- White laminated safety glass
- Concealed double top rollers
- Simple wall mount installation
- Integrated pull handle
- Made in America



**NEW
PRODUCT!**



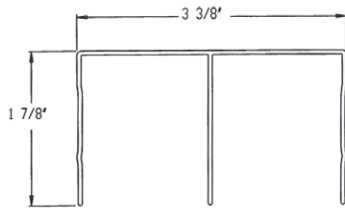
The Room Divider from American Building Supply is a contemporary sliding door system that is perfect for separating two rooms. It features a satin aluminum top hung channel with rollers that provides smooth operation. A satin finish extruded door panel frame creates a sturdy but sleek design element. Available with opaque white laminated glass for safety and an attached pull handle. Add natural light and a modern design feature to dens, offices, dining rooms, closets and more. This American made product is a great value and is easy to install.



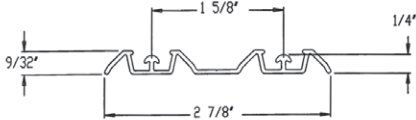
Track Profiles

ALUMINUM SYSTEMS

TOP TRACK

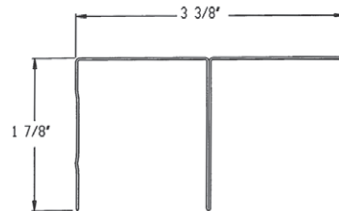


BOTTOM TRACK

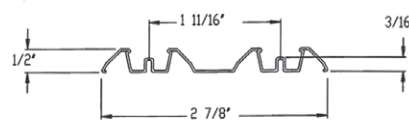


STEEL SYSTEMS

TOP TRACK



BOTTOM TRACK



NOTE: Bottom track width with TripleTrack = 4-11/16"
Top track width with Triple Track = 5-1/16"

Limited Five-Year Warranty

American Building Supply Inc. guarantees its sliding wardrobe door products to be free of defects in material and workmanship for five (5) years from the original date of purchase. This warranty extends to the original purchaser and the first consumer owner only.

If this product fails due to defects in material or workmanship during the warranty period, we will, at our option, repair it, replace it with similar product or refund the original purchase price.

This warranty does not cover:

1. Damage resulting from negligence, misuse, abuse or accident occurring after installation.
2. Mirror breakage.
3. Damage resulting from foreign matter in bottom track or on the back or edges of product.
4. Damage due to use in outside of normal architectural requirements.
5. Defects resulting from modification by others.

In no event shall American Building Supply Inc. be liable for incidental or consequential damages regarding the installation of this product. American Building Supply Inc. shall not be liable for any labor charges or freight cost incurred in the connection with the repair or replacement of this product.

BI-PASS WARDROBE NET FINISH OPENINGS

Size	# Panels	Width	Height
4/0 x 6/8	2	47"	80-1/2"
5/0 x 6/8	2	59"	80-1/2"
6/0 x 6/8	2	71"	80-1/2"
7/0 x 6/8	2	83"	80-1/2"
8/0 x 6/8	2	95"	80-1/2"
9/0 x 6/8	3	106"	80-1/2"
10/0 x 6/8	3	118"	80-1/2"
12/0 x 6/8	3	142"	80-1/2"
4/0 x 8/0	2	47"	96"
5/0 x 8/0	2	59"	96"
6/0 x 8/0	2	71"	96"
7/0 x 8/0	2	83"	96"
8/0 x 8/0	2	95"	96"
9/0 x 8/0	3	106"	96"
10/0 x 8/0	3	118"	96"
12/0 x 8/0	3	142"	96"

Adjustable in Height:

6/8 - 79-3/4" to 81"

8/0 - 95-1/4" to 96"

Custom sizes available upon request.

ROOM DIVIDER NET FINISH OPENINGS

Size	Width	Height
2/0 x 6/8	24"	80"
2/4 x 6/8	28"	80"
2/6 x 6/8	30"	80"
2/8 x 6/8	32"	80"
3/0 x 6/8	36"	80"
3/6 x 6/8	42"	80"
2/0 x 7/0	24"	84"
2/4 x 7/0	28"	84"
2/6 x 7/0	30"	84"
2/8 x 7/0	32"	84"
3/0 x 7/0	36"	84"
3/6 x 7/0	42"	84"
2/0 x 8/0	24"	96"
2/4 x 8/0	28"	96"
2/6 x 8/0	30"	96"
2/8 x 8/0	32"	96"
3/0 x 8/0	36"	96"
3/6 x 8/0	42"	96"

Custom sizes available upon request.



ABS - AMERICAN BUILDING SUPPLY, INC.



Sliding Wardrobe Doors



2100 Series Bright Silver Frame with Mirror pictured.



Satin Aluminum Room Divider with White Laminated Glass pictured.



ABS - AMERICAN BUILDING SUPPLY, INC.

Distributed by:

