

Adams Rite - *Electric Strikes*

Accessories



4603 Rectifier



4605 Transformer



4606 Transformer

Stocked Product:

- 4603 Rectifier
- 4605 Transformer
- 4606 Transformer

Adams Rite - *Exit Devices*

8600 - Series Narrow Stile Concealed Vertical Rod Device

DIMENSIONS & SPECIFICATIONS:

- ANSI/BHMA E09321 Grade 1
- **Handing:** Device is non-handed
- **Bar Height:** Adjustable from 30" to 44"
- **Projection:** 2-5/8" when fully projected 1-5/8" when dogged
- **Stile Width:** 2" minimum
- **Door Height:** Adjustable for doors up to 66" above selected bar height



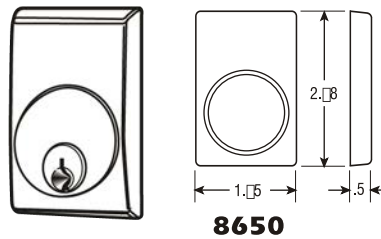
Stocked Product:

For 36" Width Door
 8611 36" Aluminum
 8622 36" Duro

Accessories 8650 - Escutcheon

Required to mount any make standard Mortise cylinder, with MS cam, on outside of door.

- Less Mortise Cylinder



Stocked Product:

Item	Finish
8650	628 Aluminum
	313 Duro

8800 - Series Rim Exit Device For Aluminum Doors

DIMENSIONS & SPECIFICATIONS:

- ANSI/BHMA E09321 Grade 1
- **Handing:** Device is non-handed
- **Door Thickness:** Suits 1-3/4" up to 2-1/4"
- **Projection:** 2-5/8" when fully projected 1-5/8" when dogged
- **Stile Width:** 2" minimum
- **Door Height:** Adjustable for doors up to 66" above selected bar height
- **Stile Width:** 8800 - 2" for aluminum style

Features

- Patented "standard" bolt interlocks door to frame.
- Push bar is anodized or clad not plated.
- Unobstrusive design for clean sight lines.



Stocked Product:

For 36" Width Door

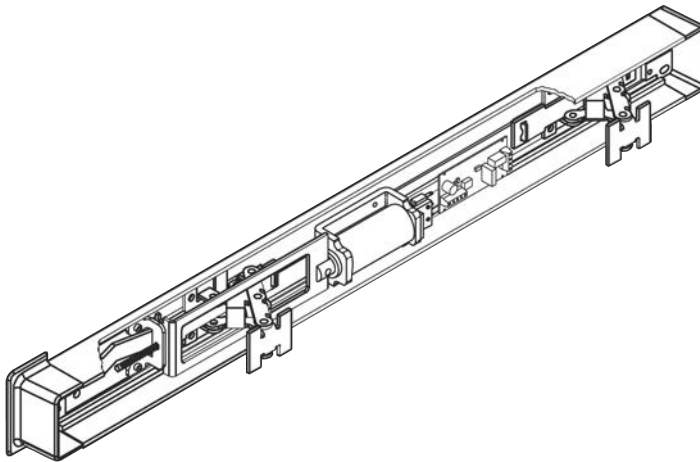
Item	Finish
8801 36" Rim Exit	Aluminum
8802 36" Rim Exit	Duro

Adams Rite - *Exit Device Options & Accessories*

Electric Latch Retraction - *For all Adams Rite Exit Devices*

The EL or LR option uses a solenoid mounted in push bar for instantaneous unlocking and locking of exit device from a remote location. The device is fail secure and can be used on fire rated as well as life safety applications.

Note: Power Supply available - F/8600 series, P/N PSLR



Stocked Product:

Sizes: for 36" width door

Item	Finish
8801EL Rim Exit	Aluminum
8802EL Rim Exit	Duro

Adams Rite - Store Front Hardware Accessories

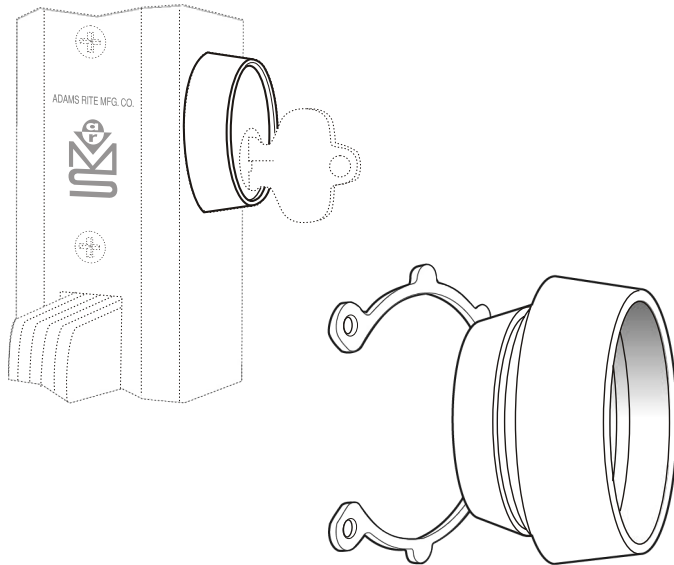
MS4043 Series - Cylinder Guard

SECURITY RING

Made of hardened steel. Free-swiveling when properly installed.

RETAINER RING

Hardened steel, plated for corrosion resistance.
Permits security ring to swivel.



Stocked Product:

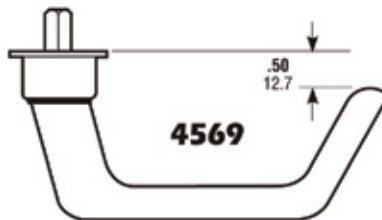
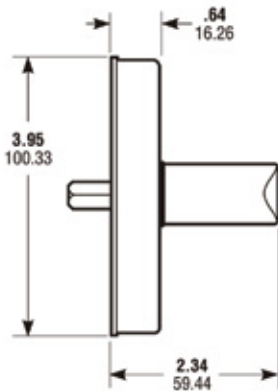
Item	Finish
MS4043-00 130 1/8"	Aluminum
MS4043-00 121 1/8"	Duro

Adams Rite - Store Front Hardware Accessories

4569 - Eurostyle Deadlatch Handle

Product Description & Features

- **Escutcheons:** 1-3/8" x 4", designed to match the narrow stile door's clean lines. Steel mounted base is secured by hidden screws and has two large helical compression springs. (One becomes a "spare" once handling is given.) A 1/4" square heat-treated spindle is part of escutcheon assembly, which interlocks with the cam plug. Finished to match lever.
- **Function:** Designed to operate 4500/4700/4900 Series latches by a natural downward hand movement. These handles incorporate an activator cam disc that mounts on the handle escutcheon and fits solidly into the cylinder hole of the latch. Not intended for use as a door pull.
- **Cam Plugs:** Secured in latch body by cylinder setscrew, plug is also rigidly tied to handle escutcheon by hardened steel pins. Handing can be reversed by removing a spring clip, "flopping" the cam and replacing the clip.
- **Levers:** Lever of cast aluminum, in choice of 130 Satin Aluminum or 121 Dark "Bronze". Modern European styling offers a generous hand grip with shank offset away from the narrow stile jamb for hand safety. 4569 has return end to meet anti-snag code requirements.



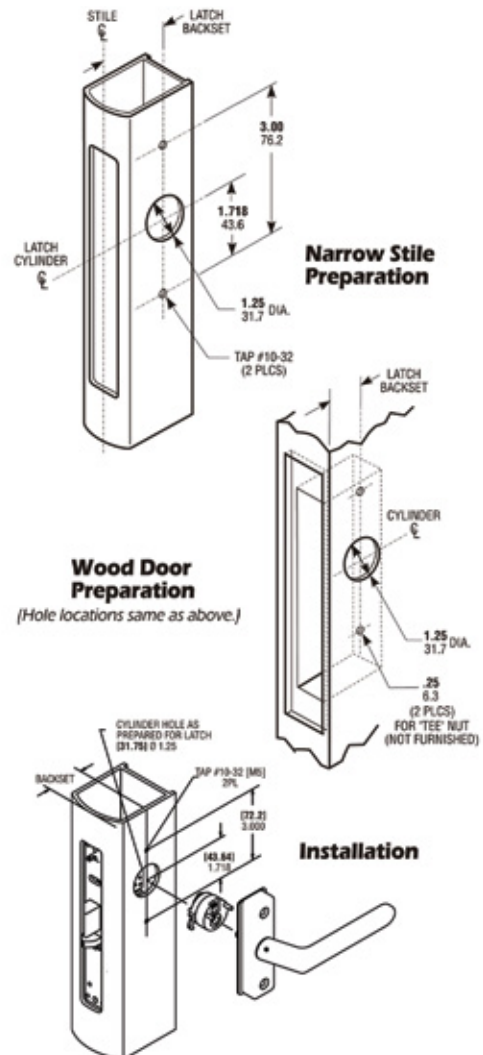
REVERSIBLE 4580
 Cam Disc INCLUDED
 (REQUIRED TO OPERATE
 4500/4700/4900 SERIES
 LATCHES)

Stocked in Sacramento only

Stocked Product:

Item	Handing	Door Thickness	Finish
4569-501-130	LH	1-3/4" - 2"	Satin Aluminum
4569-601-130	RH	1-3/4" - 2"	Satin Aluminum
4569-501-121	LH	1-3/4" - 2"	Bronze
4569-601-121	RH	1-3/4" - 2"	Bronze

- Pre-handing can be specified LH or RH although re-handing in the field is easily accomplished. Standard handles are for 1-3/4" thick doors.
- Packed individually with cam plug handed LH or RH as specified.
- Two 10-32 mounting screws furnished.



Adams Rite - Store Front Hardware Accessories

4089 - Exit Indicator

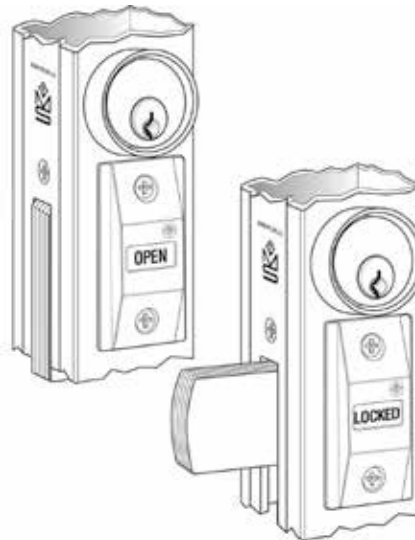
Product Description & Features

- **Function:** Provides unmistakable notification of an exit door's "locked" or "open" condition. Under many local building safety codes, this allows the use, in certain occupancies, of a security deadlock instead of less secure panic devices. It includes two permanent adhesive header signs: "THIS DOOR TO REMAIN UNLOCKED DURING BUSINESS HOURS." (That wording is according to Uniform Building Code.) The second sign for NFPA and other local codes reads: "THIS DOOR TO REMAIN UNLOCKED WHEN THE BUILDING IS OCCUPIED."
- **Message Panel:** "OPEN" appears in black letters on white background when lock is retracted and "LOCKED" in red letters when actuated. Also available with red (locked) and green (unlocked) wordless panels.
- **Material/Finish:** Indicator escutcheon is zinc alloy with 130 (Satin Aluminum) Ritecoat finish. Header sign is clear aluminum match with black letters.



COMPATIBLE LOCKS:

- 1830
- 1870
- MS1837
- MS1850S
- MS1850S-505
- MS1850SN
- MS1850SN-505
- MS1860
- MS+1890
- SCH1850S
- SCH1850SN



Stocked Product:

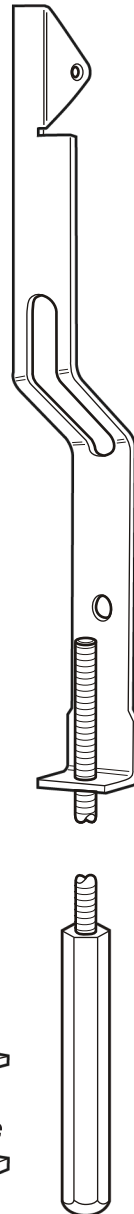
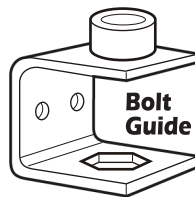
Item Finish 4089-130
Aluminum
4089-121 Duro

Adams Rite - Store Front Hardware Accessories

4015 - Threshold Bolt for Aluminum Stile Doors

Product Description & Features

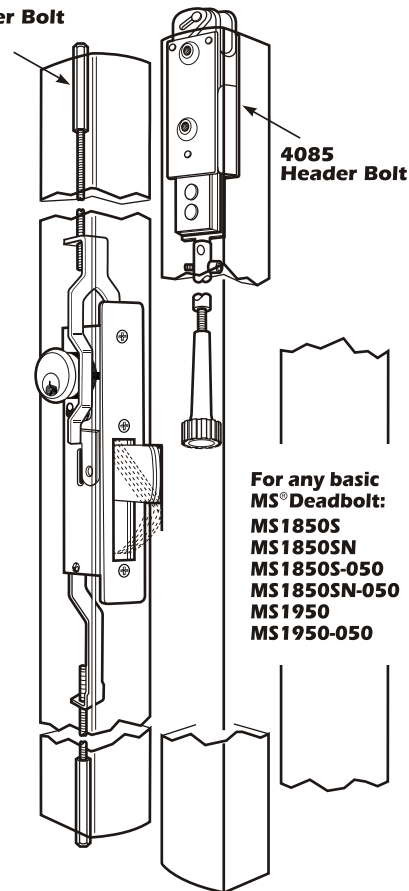
- **Cylinder Height:** Standard threshold bolt rod is sufficient for cylinder height up to 53-7/16". It is fully threaded and can be cut off for low cylinder heights. Also available to volume users, cut and threaded only for specific cylinder heights.
- **Adjustment:** Exact adjustment of threaded rod to cylinder height is locked in place by hexagonal threshold bolt.
- **Function:** Adding the 4015 bolt to a pivoted bolt MS deadbolt allows Maximum Security for pairs of doors by the turn of a single key. Simultaneously dropping steel hexbolt into the threshold and pivoting the massive MSÂ® bolt into the mating door's stile, the two-point lock secures the entire double door entrance. The 4015 threshold bolt is harnessed to the rear of the pivoted bolt. It may be added to any basic MS1850S or MS1850SN deadbolt.
- **Threshold Bolt:** Hexagonal 3/8" flat to flat. Made of stainless steel.
- **Operation:** 360° turn of key or thumbturn in basic MS lock throws counterbalanced bolt into opposite door and drop-bolt into threshold. Key can be removed only when bolts are in a positively locked or unlocked position.
- **Options:** For "universal" application, specify 4015-18 with fully threaded rod for cut off to any cylinder height below 53".



ANSI/BHMA Type E8241 (Grade 1)

4016 Header Bolt

4085 Header Bolt



For any basic MS® Deadbolt:
 MS1850S
 MS1850SN
 MS1850S-050
 MS1850SN-050
 MS1950
 MS1950-050

Stocked Product:

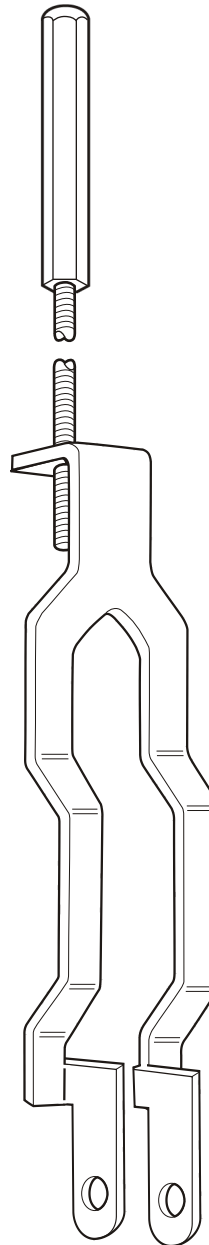
Item
 4015-18-IB 2-Point Converter

Adams Rite - Store Front Hardware Accessories

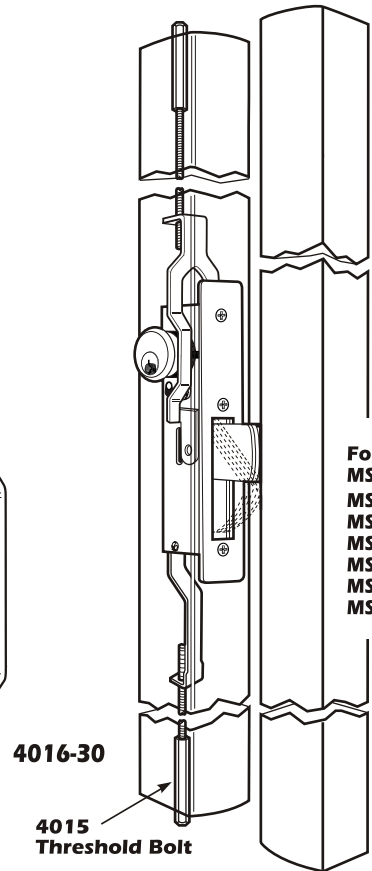
4016 - Header Bolt for Aluminum Stile Doors

Product Description & Features

- **Strike:** For header bolt a 1/2" diameter hole in metal frame is suitable, or for non metal installations, 4005 strike is available
- **Adjustment:** Exact adjustment of threaded rod to cylinder height is locked in place by hexagonal threshold bolt.
- **Door/Cylinder Height:** The standard version is designed for a 7' door height with cylinder height as low as 35". Can also be ordered for up to 10' door with additional extension.
- **Function:** Adding the 4016 Header Bolt and the 4015 Threshold Bolt to a pivoted MS® deadbolt allows for Maximum Security for pairs of doors by the turn of a single key. Simultaneously extending the stainless steel hexbolts top and bottom and pivoting the massive MS® deadbolt into the mating stile, the three-point lock secures the entire double door entrance. The 4016 can be added to any basic MS1850S, MS1850SN or for two-points top and bottom use with 1870/1870HM Cylinder-Operated Flushbolt. Not applicable to 7/8" backset locks.
- **Header Bolt:** Hexagonal 3/8" flat to flat. Made of stainless steel.
- **Threshold Bolt:** Hexagonal 3/8" flat to flat. Made of stainless steel.
- **Operation:** 360° turn of key or thumbturn in basic MS lock throws counterbalanced bolt into opposite door and hexagonal bolt into header strike. Key can be removed only when bolts are in a positively locked or unlocked position.
- **Options:** For "universal" application, specify 4015-18 with fully threaded rod for cut off to any cylinder height below 53".



ANSI/BHMA Type E82111 (Grade 1)



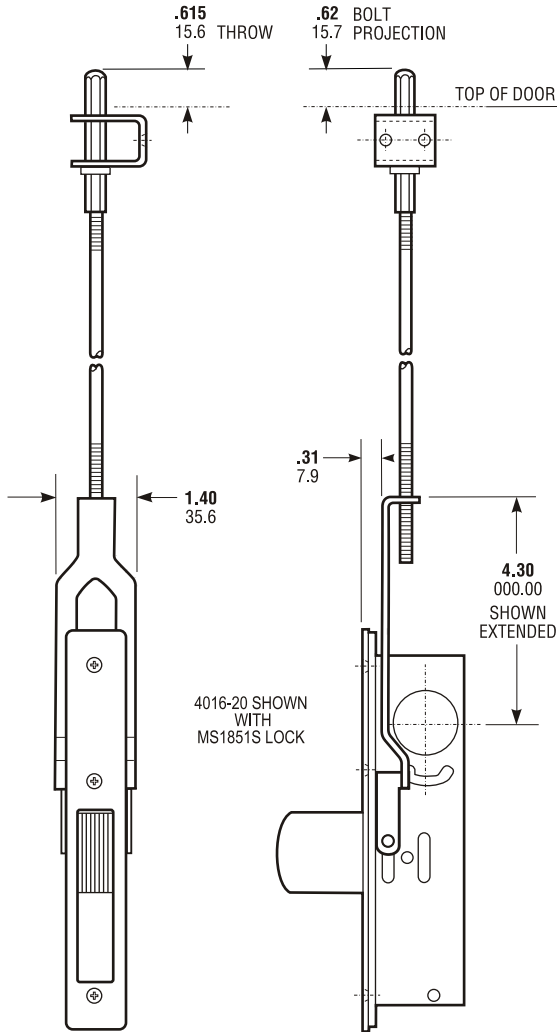
For any basic MS® Deadbolt:
 MS1850S
 MS1850SN
 MS1850S-050
 MS1850SN-050
 MS1950
 MS1950-050

Stocked Product:

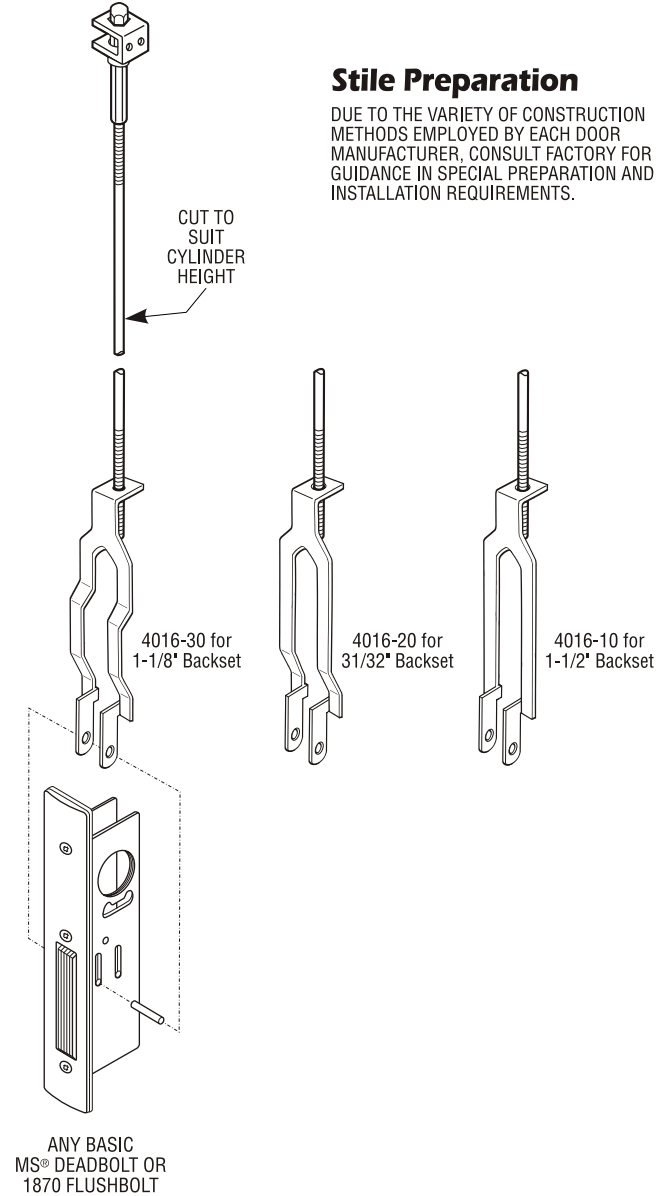
Item	Backset
4016-2001	31/32"
4016-3001	1-1/8"

Adams Rite - Store Front Hardware Accessories

INCHES
MILLIMETERS
 Nominal, subject to tolerance extremes.



INSTALL ADAPTOR ARM TO LOCK FROM TOP WITH BOLT RETRACTED AS SHOWN. INSTALL PIN THROUGH SLOTS IN LOCK SIDE PLATES, PASSING THROUGH HOLES IN BOTH SIDES OF THE ADAPTOR ARM.



Stile Preparation

DUE TO THE VARIETY OF CONSTRUCTION METHODS EMPLOYED BY EACH DOOR MANUFACTURER, CONSULT FACTORY FOR GUIDANCE IN SPECIAL PREPARATION AND INSTALLATION REQUIREMENTS.

Adams Rite - Store Front Hardware Accessories

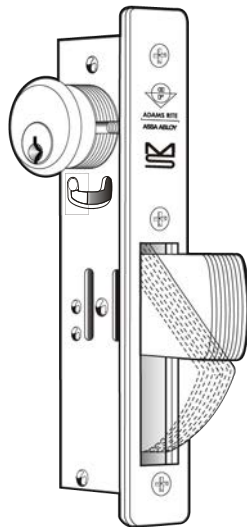
MS1850S - Deadbolt for Aluminum Stile Doors (1' x 6-7/8" Faceplate)

Product Description & Features

- **Cylinder Backset:** 31/32", 1-1/8" or 1-1/2" only
- **Case:** Steel with corrosion-resistant plating. 1" x 6" x depth. (Depth varies by backset.)
- **Function:** A huge bolt of laminated stainless steel, nearly three inches long, activated by an uncomplicated pivot mechanism, has made this basic MS® Deadbolt the standard of the narrow stile door industry. The length of this bolt provides maximum security for a single leaf door, even a very tall and flexible one or an installation where the gap between door and jamb is greater than it should be.
- **Bolt:** 5/8" x 1-3/8" with 13/16" throw. Eight ply laminated stainless steel with Alumina Ceramic core defeats any hacksaw attack (including rod-type "super" hacksaws) while hook shape repels prybar attempts to "spread" door from its jamb or lift it off its track.
- **Strike:** See next page for dimensions of strike slot which can be cut in metal jamb. Trim plate, box strike, and armored strike are also available.
- **Operation:** 360° turn of key or thumbturn throws or retracts the counterbalanced bolt. Key can be removed only when bolt is in a positively locked or unlocked position. Lock accepts any standard 1-5/32" diameter mortise cylinder or thumbturn from either or both sides. Cylinder must have MS® dimensioned cam.



ANSI/BHMA Type E8211, Grade 1



Stocked Product:

STRAIGHT BOLT

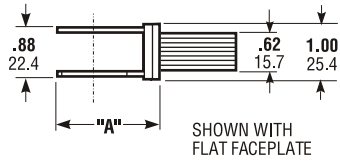
Item	Backset	Finish
1851S210	31/32"	628/313
1851S310	1-1/8"	628/313

HOOK BOLT

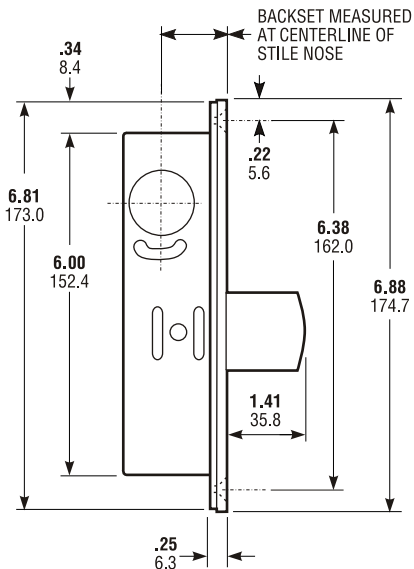
Item	Backset	Finish
1851S-050-250	31/32"	628/313
1851S-050-350	1-1/8"	628/313

Adams Rite - Store Front Hardware Accessories

INCHES
MILLIMETERS
 Nominal, subject to tolerance extremes.

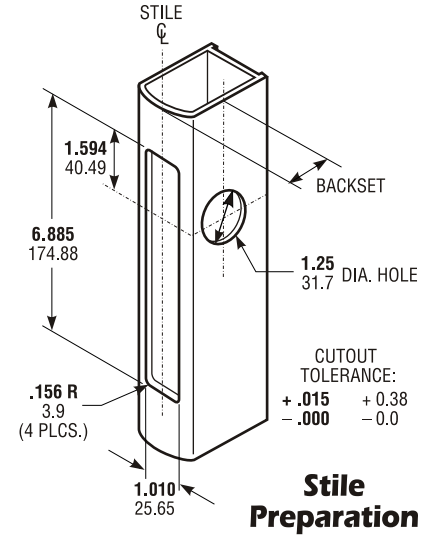
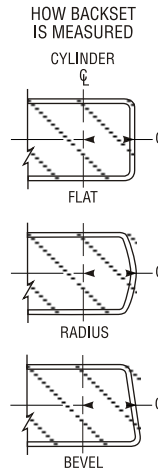
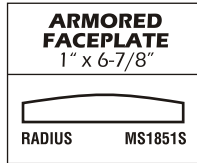


SHOWN WITH
 FLAT FACEPLATE



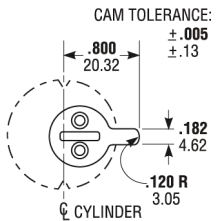
BACKSET MEASURED
 AT CENTERLINE OF
 STILE NOSE

BACKSET	"A"
31/32" 24.6	1.63 41.4
1-1/8" 28.6	1.78 45.2



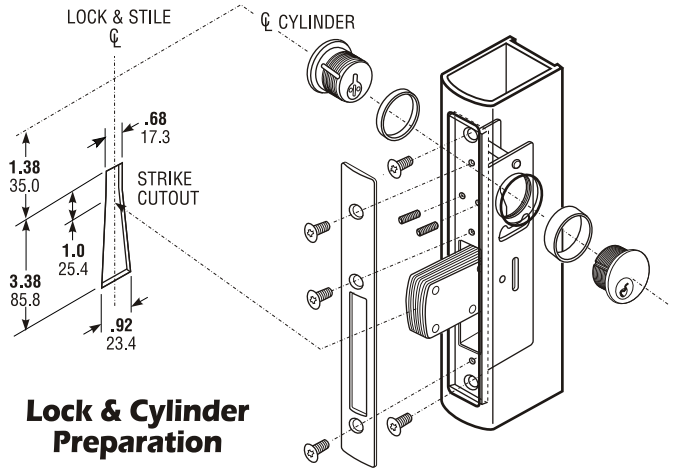
**Stile
 Preparation**

CUTOUT
 TOLERANCE:
 +.015 +0.38
 -.000 -0.0

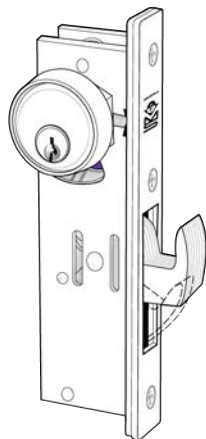


Cylinder Cam

MS1850S Series locks are operable by any standard 1-5/32" diameter mortise cylinder with special MS® cam dimensioned as shown. Cylinders with MS® cams can be readily obtained from most cylinder manufacturers.



**Lock & Cylinder
 Preparation**



**MS 1850S-050 WITH
 HOOK BOLT (CYLINDER
 NOT PROVIDED)**

Stocked Product:

STRAIGHT BOLT

Item	Backset	Finish
1851S210	31/32"	628/313
1851S310	1-1/8"	628/313

HOOK BOLT

Item	Backset	Finish
1851S-050-250	31/32"	628/313
1851S-050-350	1-1/8"	628/313

Adams Rite - Store Front Hardware Accessories

4510 - Series Deadlatch Deadbolt for Aluminum Stile Doors

Product Description & Features

- **Cylinder Backset:** 31/32", 1-1/8"
- **Case:** Steel with corrosion-resistant plating. 1" x 5-13/16" x depth. (Depth varies by backset.)
- **Function:** Flexibility of traffic control during and after business hours is offered by 4510 Series Deadlatches. A reverse turn of the key while bolt is held retracted retains the bolt, to allow two-way traffic for hospitals, banks, stores and other buildings which require free entrance at certain times and exit-only at other times. Interchangeable, without stile modification, with any MS1850A or MS1850S deadbolt of same backset and faceplate shape. (They do not, however, provide the same maximum security level as the MS Deadbolt.)
- **Latch Bolt:** 1/2" x 1" x 1/2" throw. All metal with hardened steel internal pins. Handing is reversible without special tools.
- **Auxiliary Bolt:** All metal. Deadlocks latch bolt to prevent "loiding" or case-knife entry.
- **Strike:** Standard strike furnished is 4902-01 for flat jamb where door closes flush or nearly flush. Also available: radius strike for opposite stile in paired doors; longer strike (4901) to cover slot strike of MS® lock; long lip strikes for centerhung doors.
- **Operation:** Turn key or operate handle to retract spring-loaded latch bolt. To hold bolt retracted, push it in and secure by reverse turn of key. Uses any standard mortise cylinder with MS®cam.



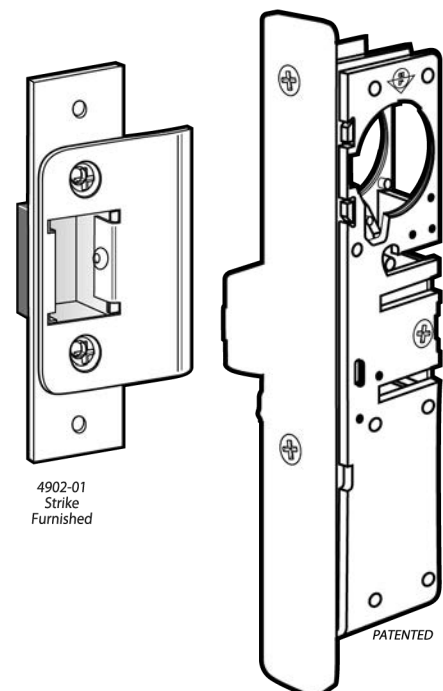
ANSI/BHMA Type E823, Grade 1

Options

Backset, Faceplate Shape, Finish, Strike and Handing must be specified when ordering.

STANDARD PACKAGE

Individually boxed with strike and machine screws for mounting. Cylinders, paddle or handle available at extra cost. Shipping weight: 1-1/4 lbs. Also available in a 25 unit pack for volume users.



Stocked Product:

Item	Backset	Handing	Finish
4510-3-510	1-1/8"	LH or RHR	628/313
4510-3-610	1-1/8"	LH or RHR	628/313
4510-2-510	31/32"	LH or RHR	628/313
4510-2-610	31/32"	LH or RHR	628/313

Adams Rite - Store Front Hardware Accessories

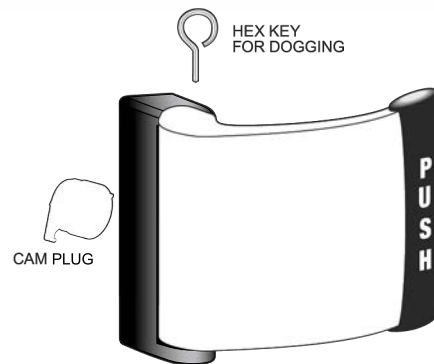
4591 - Deadlatch Paddle

Product Description & Features

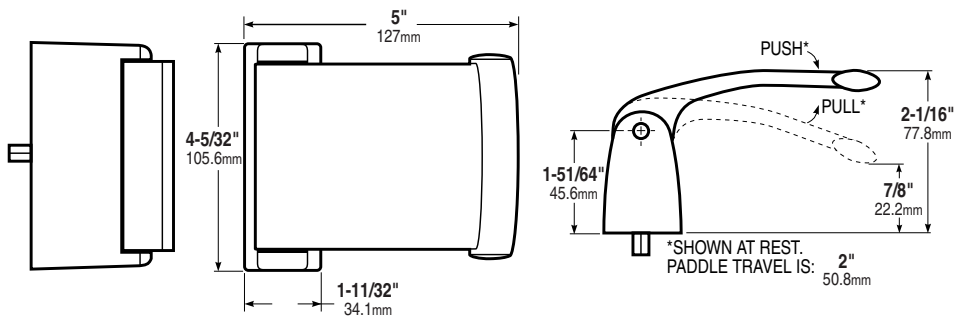
The 4591 Deadlatch Paddle is an ergonomically-friendly alternative to a knob or lever handle. Operate with a simple push or pull.

STANDARD PACKAGE

Individually boxed with dogging hex key and mounting hardware. Units for 4300, 4500 or 4900 Series Deadlatches include cam plug. Shipping weight: 1-1/2 lbs.



Dimensions



Stocked Product:

Item	Door Thickness	Finish
4591	1-3/4"	628/313