

Doormerica

Index

CATEGORY PRODUCT/DESCRIPTION PAGE

	LOCKS Touch Screen Digital Lock.....	3-4
	Heavy Duty Commercial Cylindrical LHV Locks - Grade 1	5
	Standard Duty Commercial Cylindrical LSV Locks - Grade 2.....	6
	Medium Duty Commercial Cylindrical LDV Locks - Grade 2.....	7
	Residential Cylindrical ECL Latchset - Grade 3	8
	General Lock Information.....	9
LOCK/ACC.	Deadlatches and Spring Latches.....	10
	Strikes and Accessories	10
LOCKS	ASIL Adjustable - Simultaneous Retraction Interconnected Locks - Grade 2	11
	Deadbolts - 800 Series Deadbolt - Grade 1.....	12
	Deadbolts - Standard Duty Commercial 700 Series Deadbolt - Grade 2.....	13
	Deadbolts - Standard Duty 200 Series Deadbolt	14
	Heavy Duty Commercial Mortise Locks	15
	Mortise Locks - Function Chart	16
HANDING CHART	Handing Chart.....	17
EXITS	Heavy Duty Exit Device 700 Series - Grade 1	18
	Heavy Duty Vertical Rod Exit Device 700 Series - Grade 1	19
	Heavy Duty Vertical Rod Fire Rated Less Bottom Rod 700 Series - Grade 1	20
	Heavy Duty Concealed Vertical Rod Exit Device 700 Series - Grade 1	21-22
EXIT/TRIM	Escutcheon Levers - 700 Series.....	23
	Pull & Thumbpiece - 700 Series.....	23
EXIT/ACC. 700	Glass Bead Shim Kit - 700 Series.....	24
	Overlapping Strike - 700 Series	24
	Firebolt - 700 Series	24
	Exit Alarm Kit - 700 Series	24
EXITS	Exit Device - Standard Duty Commercial Rim 500 Series	25
	Exit Device - Standard Duty Commercial Surface Vertical Rod 500 Series	26
EXIT/TRIM	Exit Device Trim - 500 Series	27
	Pull Trim - 500 Series	27
EXIT/ACC. 500	Exit Device Alarm Kit - 500 Series.....	27
	Exit Device Vertical Rod Extension - 500 Series.....	27
	Exit Device Vertical Rod Back Plate - 500 Series	27
MULLIONS	Mullions.....	28
CLOSERS	Extra Heavy Duty Door Closers - DC40.....	29
	Heavy Duty Door Closers - DC851.....	30
	Heavy Duty Door Closers - DC70.....	31
	Standard Duty Door Closer - DC161.....	32
	Standard Duty Door Closer - DC50.....	33
ELECT. HOLDER	Door Holder - Electro Magnetic	34
COORDINATORS	Coordinators & Mounting Brackets.....	35
AUTO FLUSH	Automatic Flushbolts - For Metal and Wood Doors	36
MANUAL FLUSH	Manual Flushbolts.....	37
DUST STRIKES	Dust Proof Strikes.....	38

Doormerica

Index

CATEGORY	PRODUCT/DESCRIPTION	PAGE
	HINGES Full Line of Commercial and Residential Hinges	39-43
CONTINUOUS HINGES	Continuous Geared Aluminum Hinges	44-45
BARN DOOR	Premium Sliding Barn Door Hardware.....	46-50
HARDWARE	Premium Sliding Barn Door Accessories.....	51
	Premium Sliding - Door Pulls	52
	Rustic Sliding - Door Pulls.....	53
	Rustic Sliding Barn Door Hardware	54-56
	Sliding Barn Door Floor Guides.....	57
	Mini/Rustic Sliding Barn Door Hardware Accessories	58
	DesignGlide Soft-Close Barn Door - Sliding Door Hardware Kits	59-60
PLATES	Pushes and Pulls	61
	Kick Plates.....	61
GEN. H/W	Door Guards - Swing Bar Lock, Door Angle Protector, Door Privacy Latch, Door Guard Shim.....	62
	Viewers - Solid Cast Brass	62
	Door Holders.....	63
	Wall Stops	63
	Floor Stops	64
	Roller Latches.....	65
	Ball Catches	66
SIGNS	Wall & Door Signs / ADA.....	67
WARRANTY	Doormerica Warranty	68

Doormerica

DMH Touch - Touch Screen Digital Lock with Smart+ Prox Card



Features:

- Stand-alone Touchscreen responds to human touch enabling convenient entrance or access to programming menu. After operation has been completed, the lock reverts to sleep mode.
- Grade 1 lockset with electronic modern touch screen.
- Easy programmable menu.
- Smart+ Prox card compatible - slim "no slot" design.
- Convenient wake-up button illuminates and activates easy to read key pad.
- Low battery indicator.
- Allows up to 1,000 individual user codes and credentials.
- Free wheeling lever mechanism.
- 9 volt battery terminal for emergency power supply.
- Saturn lever design.
- Allows continuous entry for non-restricted traffic.
- Non-handed, field reversible.
- Wake-up Button activates and illuminates the number pad for PIN code and Prox Card entry.
- Includes 2 Smart+ Prox Cards. Additional cards available.



CODE COMPLIANCE:

- ANSI/BHMA - Certified ANSI/BHMA A156.2 Series 4000, Grade 1 strength and operational requirements.
- A.D.A. - All levers conformed to ADA requirement for barrier-free accessibility.
- UL/cUL - UL listed to USA and Canadian safety standards listed for 3 hour doors. Letter F and UL symbol latch fronts indicate listing.
- Positive Pressure - Meets UL 10C and UBC 7-2(1997)
- California State Reference Code - Levers with less than 1/2"(13mm) returns comply : Levers returns to within 1/2"(13mm) door face.

WARRANTY - ONE YEAR FROM DATE OF INSTALLATION

Stocked Product

Item DMH Touch Finish 10A, 26D
Lock
DMH Smart+ Prox Card

Continue to next page

Doormerica

DMH Touch - Touch Screen Digital Lock (Continued from previous page)

Specifications:

- **User PIN Code**
1,000 individual users codes + credentials
- **Smart+ Prox Card**
 - Compatible with existing MIFARE infrastructures
 - Operates at 13.56 MHz in accordance with ISO14443A
 - Inductive Distance up to 1-3/16" (~30mm)
 - PVC 1/32" x 2-1/8" x 3-3/8" (.076mm x 54mm x 85.6mm)
- **Handing**
Non-Handed, Field reversible levers
- **Lever mechanism** Free wheeling lever mechanism. When the outside lever is locked, it will rotate freely up and down while remaining securely locked.
- **Door thickness**
1-3/8"~2"(35mm~51mm) standard
- **Backset** 2-3/4"(70mm) standard or 2-3/8"(60mm) special order
- **Face plate** 1-1/8" x 2-1/4" (28mm x 57mm) square corner, beveled, for 2-3/4"(70mm) backset standard 1" x 2-1/4"(25mm x 57mm) square corner, beveled, for 2-3/8"(60mm) backset optional
- **Strike**
ANSI Curved lip strike 1-1/4" x 4-7/8" x 1-3/16"(32mm x 124mm x 30mm) lip to center standard. Optional ("T", "Full-lip") strike available on request.
- **Exposed Trim** Lever: pressure cast zinc, plated to match finish symbols. All metal escutcheon provide quality and durability.
- **Latch bolt** 1/2"(13mm) throw solid brass, deadlocking on keyed function.
- **Lever design**
Saturn
- **Cylinder**
6-pin solid brass "Schlage C" keyway standard with two brass keys per lock.
- **Finish**
US10A/US26D
Other finishes available with lead time.
- **Power source** Powered by 4 AA Alkaline battery with optional hardware. 9 volt battery terminal for emergency power supply.
- **Environmental performance** Weather resistant
Temperature ranging from -30°F~150°F(-30°C~+66°C) at 85% relative humidity.

Programming Functions:

- **Master PIN code** It is used for programming and register some kinds of PIN codes. It can open door and factory default setting.
- **User PIN code** It can open door and registered up to 1,000 codes, 3-6 digits.
- **One-time user PIN code** It can only be used once and the PIN code information is deleted automatically after use. It can be registered up to 3 different codes, 3-6 digits.
- **Manager PIN code** It can open the door with lockout mode and be used like User PIN code. It can be registered up to 3 different codes, 3-6 digits.
- **Smart+ Prox Card** It can be registered with each registration number(No. 1~999) consecutively by Master PIN code. If not needed anymore, delete registration number only.
- **Passage Mode** Enabling Passage mode allows continuous entry for non-restricted traffic. Passage mode enabled or disabled through feature programming by either the Master or Manager PIN code. When the unit is in Passage Mode, the unlocked padlock icon will appear on the screen.
- **Lock-out Mode** This feature is enabled by either the Master or Manager PIN Codes. When enabled, it restricts all User PIN Code access except Master and Manager PIN Codes. When the unit is in Lock-out, the padlock will appear on the screen.
- **Low Battery** When battery power is low, the low battery icon will begin blinking. If battery power is completely lost, the key and cylinder can be used or the 9 volt battery terminal can be used for emergency power.
- **Auto Re-lock time** After successful code entry and the units unlocks, it will automatically re-lock in a default of five (5) seconds. RE-lock time can be changed by either Master or Manager PIN code.
- **Sound Volume** Can be changed by either Master or Manager PIN code. The factory default is 2 Level. (Min1- Max3, Mute4).

Stocked Product

Item	Finish
DMH Touch Lock	10A, 26D
DMH Smart+ Prox Card	

Doormerica

LHV - Heavy Duty Commercial Cylindrical Locks-Grade 1



Saturn



Sparta



Tubular



Features:

- Non-Handed and Reversible.
- 2-3/4" Backset, 1-1/8" x 2-1/4" Face Plate, UL 3 Hour Fire Listed Stainless Steel Latch or Dead-latch.
- 1-1/4" x 4-7/8" ANSI Strike.
- Schlage "C" 6 Pin Keyway Standard.
- Saturn, Sparta and Tubular Lever Design.
- Barrier Free and Returns within 1/2" from the Door Face.
- Door Thickness 1-3/4" -2"

Options:

- CL -Clutch Function -Lever Rotates without Unlatching Lock.
- IC -Small format Interchangeable Core available for Saturn and Sparta lever design, Core NOT included.
- LFIC - Large Format Interchangeable Core available for Saturn lever design, Core NOT included.
- PLKLHVSL238 -2-3/8" Backset, Spring Latch. (SOLD SEPERATELY)
- PLKLHVDL238 -2-3/8" Backset. Dead Latch. (SOLD SEPERATELY)



CODE COMPLIANCE:

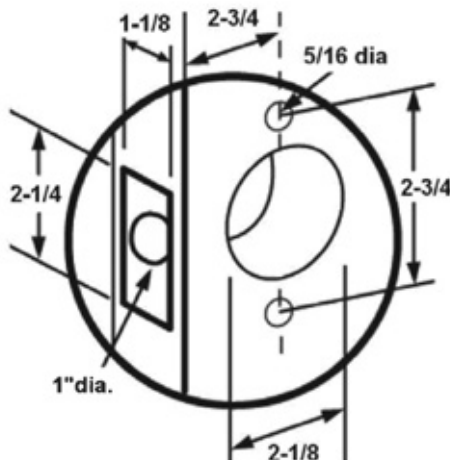
- ANSI A156.2 Grade 1. UL10C and UBC 7.2 for positive pressure.
- ANSIA117.1 and ADA for barrier-free accessibility
- C-UBC -California Amended Uniform Builders Code -2001
- NFPA-80 -National Fire Protection -1999
- NFPA-101 National Fire Protection-Life Safety 2000

LIMITED LIFETIME WARRANTY

Stocked Product

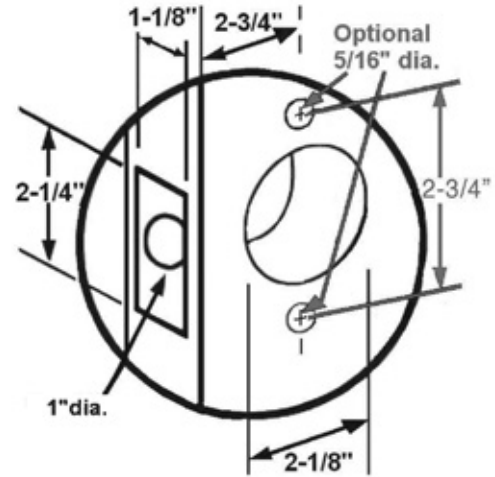
Item	Style	Finish
LHV10, LHV40, LHV50, LHV53, LHV70, LHV75*, LHV80, LHV170	Saturn	10B, 26D
LHV10, LHV40, LHV50, LHV53, LHV70, LHV80, LHV170	Sparta	10B, 26D
LHV10, LHV40, LHV50, LHV53, LHV70, LHV80, LHV170	Tubular	26D
LHV53, LHV70, LHV80 IC core less core	Saturn	26D
LHV50, LHV53, LHV75, LHV80 LFIC core less core	Saturn	26D
LHV50, LHV53, LHV70, LHV80 IC core less core	Sparta	26D
LHVCL53, LHVCL70, LHVCL80 Clutch	Saturn	10B, 26D
LHVCL53, LHVCL70, LHVCL80 Clutch	Sparta	26D
LHVCL53, LHVCL70, LHVCL80 Clutch	Tubular	26D
LHVCL53, LHVCL70, LHVCL80 IC With clutch	Saturn	26D
LHVCL53, LHVCL70, LHVCL80 IC With clutch	Sparta	26D

*26D only



Doormerica

LSV - Standard Duty Commercial Cylindrical Locks-Grade 2



Features:

- Non-Handed and Reversible.
- 2-3/4" Backset, 1-1/8" x 2-1/4" Face Plate, UL 3 Hour Fire Listed Stainless Steel Latch or Dead-latch.
- 1-1/4" x 4-7/8" ANSI Strike.
- Schlage "C" 6 Pin Keyway Standard.
- Barrier Free & Returns within 1/2" from Door Face.
- Saturn and Sparta Lever Trim.
- Door Thickness 1-3/8" - 1-3/4"
- RTB-Removable thru bolts supplied but NOT installed.

Options:

- CL -Clutch Function -Lever Rotates without unlatching the door
- IC -Small format Interchangeable Core available. Core NOT included.
- PLSVSL238 2-3/8" Backset Spring Latch. (SOLD SEPERATELY)
- PLSVDL238 2-3/8" Backset Dead Latch. (SOLD SEPERATELY)
- PLSVDL23826D-1RD: 2-3/8" Backset Dead Latch, Round corner w/ 1" Face Plate. (SOLD SEPERATELY)
- PLSVSL23826D-1RD: 2-3/8" Backset Spring Latch, Round corner w/ 1" Face Plate. (SOLD SEPERATELY)
- PLSVDL23426DRD: 2-3/4" Backset Dead Latch, Round corner. (SOLD SEPERATELY)
- PLSVSL23426DRD: 2-3/4" Backset Spring Latch, Round corner. (SOLD SEPERATELY)
- 1" -1" x 2-1/4" Latch Face Plate.
- PLKEXT5 -Extension for 5" Backset.



CODE COMPLIANCE:

- ANSI A156.2 Grade 2. UL10C and UBC 7.2 for positive pressure.
- ANSIA117.1 and ADA for barrier-free accessibility
- C-UBC -California Amended Uniform Builders Code -2001
- NFPA-80 National Fire Protection Assoc.-1999
- NFPA-101 National Fire Protection-Life Safety 2000

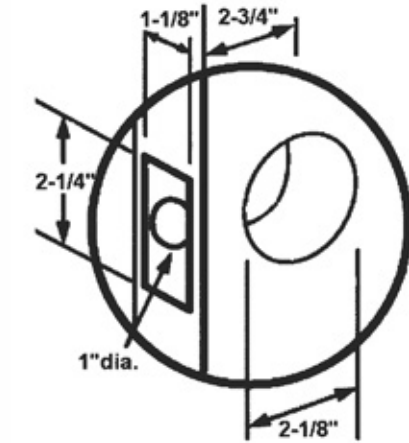
LIMITED LIFETIME WARRANTY

Stocked Product

Item	Style	Finish
LSV10, LSV20, LSV40, LSV53, LSV70, LSV80, LSV170	Saturn/Sparta	26D
LSV10, LSV40, LSV53, LSV80, LSV20	Saturn/Sparta	US3, 10B, 26
LSV20	Saturn	10B
LSV53, LSV70, LSV80		
IC core less core	Saturn	26D
LSV53, LSV70, LSV80 clutch	Saturn	10B, 26D
LSV70	Saturn	10B, 26
LSV70	Sparta	US3, 10B, 26
LSV170	Saturn	US3, 10B, 26
LSV170	Sparta	10B, 26

Doormerica

LDV - Medium Duty Commercial Cylindrical Locks-Grade 2



Features:

- Non-handed and reversible
- 2-3/4" backset, 1-1/8" x 2-1/4" face plate
- PLKASA -4-7/8" x 1-1/4" ANSI strike
- Schlage "C" 6 pin keyway standard
- Saturn lever trim
- Barrier free and returns within 1/2" from the door face
- Door thickness 1-3/8" -1-3/4"

Options:

- PLSVSL238 -2-3/8" backset, spring latch (SOLD SEPERATELY)
- PLSVDL238 -2-3/8" backset, dead latch (SOLD SEPERATELY)
- PLSVDL23826D-1RD: 2-3/8" Backset Dead Latch, Round corner w/ 1" Face Plate. (SOLD SEPERATELY)
- PLSVSL23826D-1RD: 2-3/8" Backset Spring Latch, Round corner w/ 1" Face Plate. (SOLD SEPERATELY)
- PLSVDL23426DRD: 2-3/4" Backset Dead Latch, Round corner. (SOLD SEPERATELY)
- PLSVSL23426DRD: 2-3/4" Backset Spring Latch, Round corner. (SOLD SEPERATELY)
- 1" x 2-1/4" latch & dead-latch available
- PLKFL -2-1/4" x 1-1/4" full lip strike (SOLD SEPERATELY)
- PLKT -2-3/4" x 1-1/4" - "T" strike (SOLD SEPERATELY)



CODE COMPLIANCE:

- ANSI A156.2 Grade 2. UL10C and UBC 7.2 for positive pressure.
- ANSIA117.1 and ADA for barrier-free accessibility
- C-UBC -California Amended Uniform Builders Code -2001
- NFPA-80 National Fire Protection Assoc.-1999
- NFPA-101 National Fire Protection-Life Safety 2000

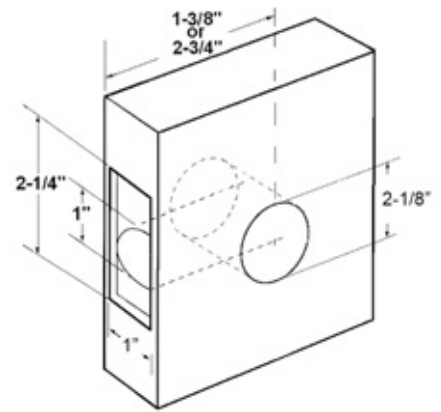
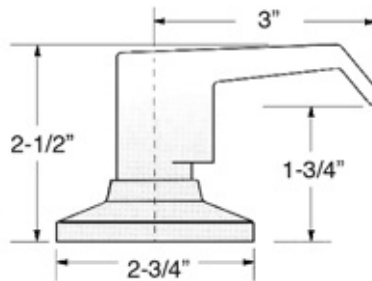
1 YEAR LIMITED WARRANTY

Stocked Product

Item	Style	Finish
LDV10,LDV20,LDV40,LDV53, LOV70,LDV80,LDV170	Saturn/Sparta	26D

Doormerica

ECL - Residential Cylindrical Latchset-Grade 3



Features:

- Non-handed and reversible
- PECL-SIADJ -Adjustable backset, 2-3/8" or 2-3/4"
- 1" x 2-1/4" faceplate spring latch
- PLKT-2-3/4" x 1-1/4" -"1" strike
- LEV lever trim only
- Barrier free
- Door thickness 1-3/8" -1-3/4"

Options:

- PLKFL -2-1/4" x 1-1/4" full lip strike (SOLD SEPERATELY)
- PLKASA -4-7/8" x 1-1/4" ASA strike (SOLD SEPERATELY)
- PECL26DRD- round corner adjustable latch. 2-3/8"-2-3/4"

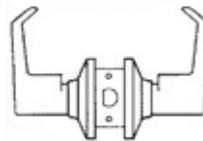


CODE COMPLIANCE:

- ANSIA117.1 and ADA for barrier-free accessibility
- NFPA101 National Fire Protection-Life Safety 2000

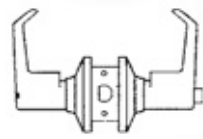
1 YEAR LIMITED WARRANTY

Functions:



ECL10 Passage

- Latch by lever either side.
- Both levers always free.



ECL40 Privacy

- Latch by lever either side.
- Outside lever locked by push button.
- Outside lever unlocked by emergency release or by rotating inside lever. Inside lever always free.



ECL170 Dummy

- Lever acts as pull only.
- No operation.

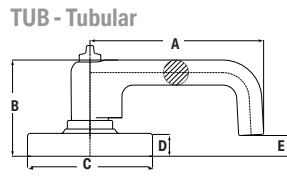
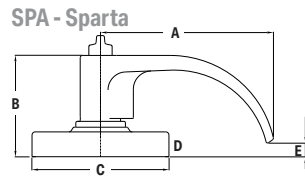
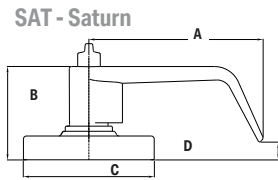
Stocked Product

Item	Design	Finish
ECL10, ECL40, ECL170	LEV	10B, 26D, US3
PECL26DRD		26D

Doormerica

Lock - General Information

LEVER DIMENSIONS		A	B	C	D	E
LHV-SAT-SATURN	Grade 1	4-15/16	2-1/2	3-9/16	5/8	1/2
LHV-SPA-SPARTA	Grade 1	4-31/32	2-17/32	3-1/2	5/8	1/2
LHV-TUB-TUBULAR	Grade 1	4-15/16	2-13/32	3-9/16	5/8	1/2
LSV-SAT-SATURN	Grade 2	4-5/8	2-1/2	3-3/8	11/16	1/2
LSV-SPA-SPARTA	Grade 2	4-17/32	2-7/16	3-5/16	11/16	1/2
LDV-SAT-SATURN	Grade 2	4-5/16	2-1/2	2-15/16	1/2	1/2
LDV-SPA-SPARTA	Grade 2	4-17/32	2-7/16	3-5/16	11/16	1/2



	Function	ANSI	Function Description	LHV	LSV	LDV	ECL
	10	Passage F75	Latchbolt operated by handle from either side at all times	LHV10	LSV10	LDV10	ECL10
	20	Exit F111	Blank plate outside, inside lever always free	N/A	LSV20	LDV20	N/A
	40	Privacy F76	Push button locking from inside. Lock can be opened from outside with narrow flat-head screw driver or rotating inside lever	LHV40	LSV40	LDV40	ECL40
	50	Office	Entrance/Office Lock. Push-button locking. Push-button locks outside lever until unlocked with key or by rotating inside lever	LHV50	N/A	N/A	N/A
	53	Entrance F82	Pushing inside button locks outside trim requiring key to unlock. Pushing and twisting button locks outside lever and always requires a key to unlatch. Inside lever always allows free egress	LHV53	LSV53	LDV53	N/A
	70	Classroom F84	Outside lever locked our unlocked by key. Inside lever always allows free egress	LHV70	LSV70	LDV70	N/A
	75	Intruder Classroom*F110	Deadlocking latchbolt operated by handle from either side (inside handle always operates latchbolt). Key either inside or outside locks or unlocks outside handle. Key from either side retracts latchbolt.	LHV75	N/A	N/A	N/A
	80	Storeroom F86	Outside lever always locked. Key unlatches only. Inside lever always allows free egress	LHV80	LSV80	LDV80	N/A
	170	Dummy	Dummy trim for one side of door	LHV170	LSV170	LDV170	ECL170

*The rose provides an intuitive marking etched into it to provide the user with a permanent visual indicator to identify which way to turn the key in order to lock the door from the interior or classroom side. The visual indicator may reduce the time required to ensure the lock is secure if the threat of an intruder were identified.

Doormerica

Lock - General Accessories Deadlatches and Spring Latches



PLSVSL238
GRADE 2

PLHVSL238
GRADE 1
2-3/8" Backset
Spring Latch



PLSVDL238
GRADE 2

PLHVDL238
GRADE 1
2-3/8" Backset
Dead Latch



PLSVSL234
GRADE 2

PLHVSL234
GRADE 1
2-3/4" Backset
Spring Latch



PLSVDL234
GRADE 2

PLHVDL234
GRADE 1
2-3/4" Backset
Dead Latch

Round Corner Latches*

PLSVDL23826D-1RD	2-3/8" Backset, dead latching, G2, 1" faceplate, RC.
PLSVSL23826D-1RD	2-3/8" Backset, spring latching, G2, 1" faceplate, RC
PLSVDL23426DRD	2-3/4" backset, dead latching, G2, RC
PLSVSL23426DRD	2-3/4" backset, spring latching, G2, RC
PECL26DRD	Adjustable backset, spring latching, G3, 1" faceplate, RC

Stocked Product

Item	Finish
PLHV latches	10B,26D
PLSV latches	US3,10B,26D
Faceplate	Standard 1-1/8" x 2-1/4"
Optional Faceplate	1" x 2-1/4" stocked for LSV (DL and SL) In 2-3/4" and 2-3/8" BS PLEASE SPECIFY comes with 1-1/8" Adapter Filler

*Round Corner Latches also in stock

Strikes and Accessories



PLKASA
4-7/8" x 1-1/4"
ASA



PLKT
2-3/4" x 1-1/4"
"T" Strike



PLKFL
2-1/4" x 1-1/4"
Full Lip Strike



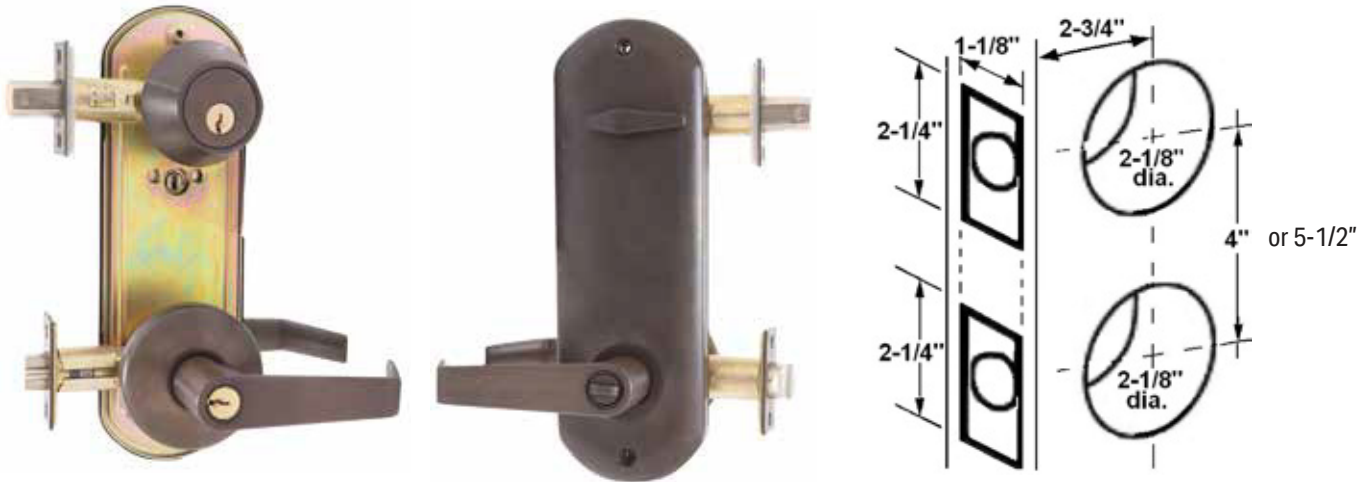
PLSVEXT5
Extension for Backset

Stocked Product

Item	Finish
Strikes	US3, 10B, 26D

Doormerica

ASIL Adjustable - Simultaneous Retraction Interconnected Grade 2 Locks



Features:

- LEVER -Saturn (SAT) Style with 4 -1/2" Length and Returns 1/2" from Door Face.
- ESCUTCHEON -6-7/8" x 2-5/8" Brass Interconnecting Plate
- LATCHBOLT -2-3/4" Backset, UL 3 Hour Fire Listed with 1/2" Throw. (2-3/8" Backset Optional) (SOLD SEPERATELY)
- DEADBOLT -2-3/4" Backset, 1" Throw Brass with Hardened Steel Pins. DEADBOLT ADJ. 2-3/8 -2 3/4
- PLKT -TLockset Strikes & 2-3/4 x 1-1/8" Latch Strike.
- PDBS -Deadbolt Strikes & 2-3/4 x 1-1/8" Deadbolt Strike.
- Schlage "C" 6 Pin Keyway.
- ASIL CTC 4" or 5-1/2"



CODE COMPLIANCE:

- ANSI A156.12 Grade 2. UL10C and UBC 7.2 for positive pressure.
- ANSIA 117.1 and ADA for barrier-free accessibility.
- C-UBC -California Amended Uniform Builders Code-2001.
- NFPA-80-National Fire Protection Association 1999.
- NFPA101 National Fire Protection Association Life Safety -2000

LIMITED LIFETIME WARRANTY

Functions:

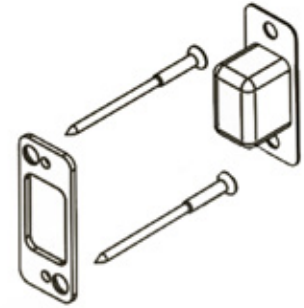
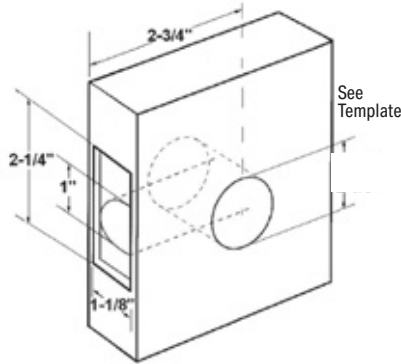
- SIL10 -Single Locking Deadbolt thrown or retracted by dead bolt key or inside thumb turn. Outside lever always retracts latch. Inside lever simultaneously retracts deadbolt and latch for immediate egress.
- SIL53 -Double Locking Deadbolt may be thrown or retracted by outside key or inside thumb turn. The lever may be locked or unlocked by key or rotating inside turn button. Turning inside lever always simultaneously retracts both deadbolt and latch for immediate egress.

Stocked Product

Item	Lever	Finish
ASIL10	Saturn	10B, 26D
ASIL10	Sparta	10B, 26D
ASIL53	Saturn	10B, 26D
ASIL53	Sparta	10B, 26D

Doormerica

800 Series - Deadbolt - Grade 1



Wood Door Frame Reinforcer
(Concealed under strike/deeply anchored to jamb with 2 3" screws)

Features:

- Tested to exceed 250,000 operational cycles ANSI Grade 1 requirements for durability.
- 3" steel screws provide the added strength to prevent against break-in attacks for Wood Door. (Exclusive concealed wood frame reinforcer protects wood jambs from kick-in attacks.)
- 1" throw, high-strength deadbolt with hardened steel roller resists sawing and kick-in attacks.
- Standard dust box includes additional space inside strike box for true deadlatch. Provides deep anchoring and added strength.
- Concealed screws on double cylinder deadbolts for enhanced security and safety.

Specifications:

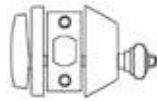
- Handing Non-handed
- Door Thickness 1-3/8" - 1-3/4"
- Backset 2-3/4" standard
- Faceplate 1-1/8" x 2-1/4" standard
- Dead bolt 1" throw with saw resistant hardened steel roller inserted
- Strike 1-1/8" x 2-3/4" metal and wood strikes with strike reinforcement supplied standard
- Cylinder 5 & 6 pin solid brass "Schlage C" keyway standard with two brass keys per lock
- Keyways Available for all keyways of most major manufacturers / Available with factory lead time.

Options:

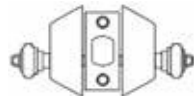
- SFIC/LFIC interchangeable core and high security cylinders
- SFIC compatible 6 or 7 pin cores with Best style, LFIC works with a Schlage 23-030 cylinder.
- Master keying, Grand master keying and construction keying

Functions:

DB851 Single Cylinder



DB860 Double Cylinder



- Deadbolt thrown or retracted by key from outside or by turning inside turn.
- Bolt automatically deadlocks when fully thrown.
- Deadbolt thrown or retracted by key from either side.
- Bolt automatically deadlocks when fully thrown.

CODE COMPLIANCE:

Meets ADA Requirements specifically designed for Barrier Free Application
ANSI/BHMA A 156.36 Series 600, Grade 1 strength and operational requirements
UL listed to USA and Canadian safety standards listed for 3 hour doors
Meets UL 10C and UBC 7-2 (1997) Positive Pressure



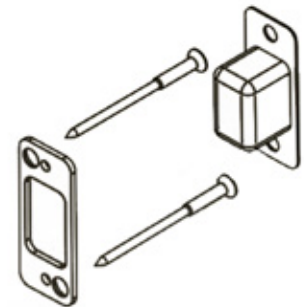
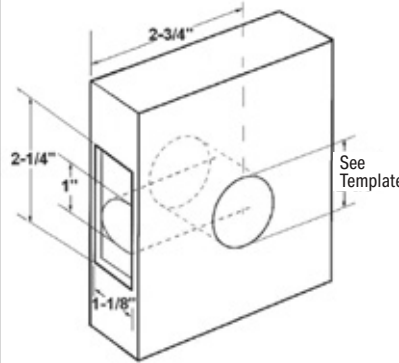
LIMITED LIFETIME WARRANTY

Stocked Product

Item	Finish
DB851	26D
DB851 LFIC less core	26D
DB851 SFIC less core	26D
DB860 (DBL CYL)	26D
DB860 (DBL CYL) LFIC less core	26D
DB860 (DBL CYL) SFIC less core	26D

Doormerica

700 Series - Standard Duty Commercial Deadbolt - Grade 2



Wood Door Frame Reinforcer
(Concealed under strike/deeply anchored to jamb with 2 3" screws)

Features:

- Tested to exceed 150,000 operational cycles ANSI Grade 2 requirements for durability.
- 3" steel screws provide the added strength to prevent against break-in attacks for Wood Door. (Exclusive concealed wood frame reinforcer protects wood jambs from kick-in attacks.)
- 1" throw, high-strength deadbolt with hardened steel roller resists sawing and kick-in attacks.
- Standard dust box includes additional space inside strike box for true deadlatch. Provides deep anchoring and added strength.
- Concealed screws on double cylinder deadbolts for enhanced security and safety.

Specifications:

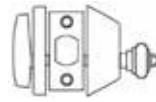
- Handing Non-handed
- Door Thickness 1-3/8" - 1-3/4"
- Backset 2-3/4" standard, 2-3/8" optional
- Faceplate 1-1/8" x 2-1/4" standard
- Dead bolt 1" throw with saw resistant hardened steel roller inserted
- Strike 1-1/8" x 2-3/4" metal and wood strikes with strike reinforcement supplied standard
- Cylinder 5 & 6 pin solid brass "Schlage C" keyway standard with two brass keys per lock
- Keyways Available for all keyways of most major manufacturers / Available with factory lead time.

Options:

- SFIC (small format) interchangeable core and high security cylinders
- Compatible 6 or 7 pin cores with Best style
- Master keying, Grand master keying and construction keying
- 2-3/8" backset
- DBADJ Adjustable deadbolt only (1" face plate, not UL listed)
- 2-3/8"-2-3/4" ADJ backset, with round corners and 1" face plate (PDBULADJ26D-1RD)
- 2-3/8"-2-3/4" ADJ backset, with 1" face plate (PDBULADJ26D-1)

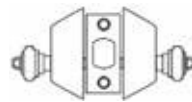
Functions:

DB751 Single Cylinder



- Deadbolt thrown or retracted by key from outside or by turning inside turn.
- Bolt automatically deadlocks when fully thrown.

DB760 Double Cylinder



- Deadbolt thrown or retracted by key from either side.
- Bolt automatically deadlocks when fully thrown.

DB780 - Door Bolt



- Deadbolt thrown or retracted by turn only.
- **No through holes in door. Designed for half door preparation.**
- **Half bore is 1-5/8" (Do not bore through)**

CODE COMPLIANCE:

Meets ADA Requirements specifically designed for Barrier Free Application



ANSI/BHMA A 156.5 Series 4000, Grade 2 strength and operational requirements

UL listed to USA and Canadian safety standards listed for 3 hour doors
Meets UL 10C and UBC 7-2 (1997) Positive Pressure

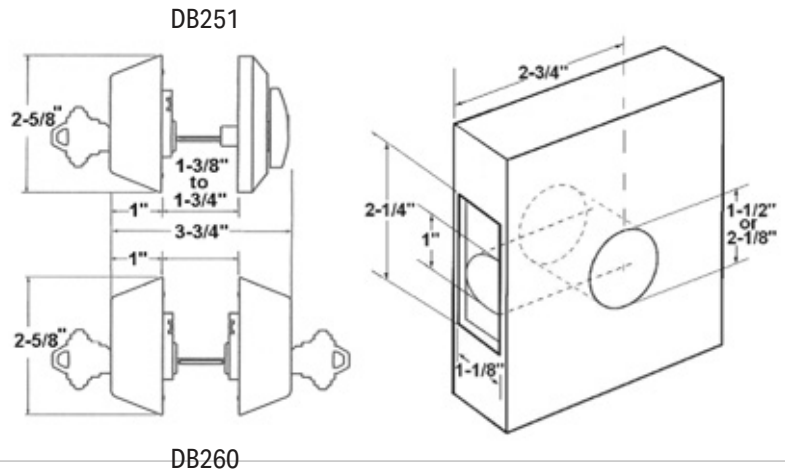
LIMITED LIFETIME WARRANTY

Stocked Product

Item	Finish
DB751	US3, 10B, 15, 26, 26D, 32D
DB751 IC less core	10B, 26, 26D
DB760 (DBL CYL)	US3, 10B, 15, 26, 26D, 32D
DB760 (DBL CYL) IC less core	10B, 26, 26D
DB780	US3, 10B, 26, 26D
DBADJ (Adj. Bolt Only)	US3, 10B, 26D
PDBULADJ26D-1RD	26D
PDBULADJ26D-1	26D

Doormerica

200 Series - Standard Duty Deadbolts - Grade 3



Features:

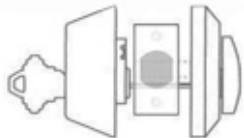
- Deadbolt has Hardened Steel Inserts to Prevent Sawing Through.
- Full 1" Throw Deadbolt.
- Adjustable Backset 2-3/8" or 2-3/4" Steel Bolt.
- PDB-S-2-3/4" x 1-1/8" Deadbolt Strike
- Schlage "C" 6 Pin Keyway Standard.
- Door thickness 1-3/8" - 1-3/4"
- 1/4" Heavy Duty Gauge Thru Bolts.

Options:

- IC - Small format Interchangeable Core available. Core NOT included.
- DBADJ Adjustable Deadbolt Only (1" face plate, not UL listed)
- 2-3/8"-2-3/4" ADJ backset, with round corners and 1" face plate (PDBULADJ26D-1RD)
- 2-3/8"-2-3/4" ADJ backset, with 1" face plate (PDBULADJ26D-1)

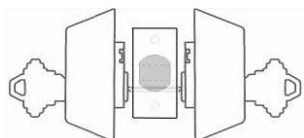
Functions:

DB251 - Single Cylinder



- Deadbolt thrown or retracted by key from outside or by turning inside turn.
- Bolt automatically deadlocks when fully thrown.

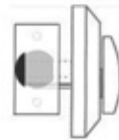
DB260 - Double Cylinder



- Deadbolt thrown or retracted by key from either side.
- Bolt automatically deadlocks when fully thrown.

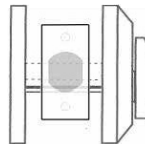
Functions:

DB280 - Door Bolt



- Deadbolt thrown or retracted by turn only.
- No through holes in door. Designed for half door preparation.
- Half bore is 1-5/8" (Do not bore through)

DB290 - Bolt & Plate



- Deadbolt thrown or retracted by turn only.
- Outside plate covers and mounts over standard deadbolt door Preparation.

1 YEAR LIMITED WARRANTY

Stocked Product

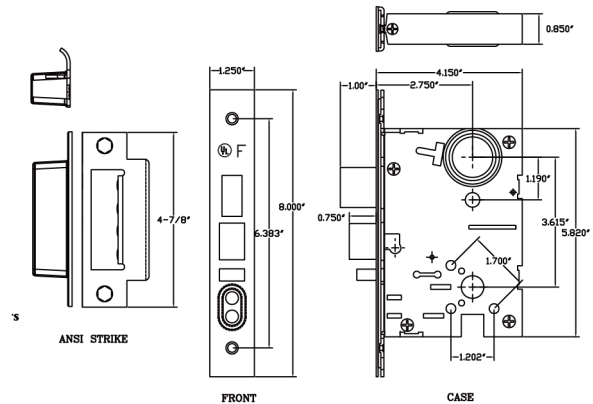
Item DB251	Finish US3, 10B, 26D, 32D 26D, 32D
DB251 IC less core	
DB260 (DBL CYL)	
DB280 DB290 DBADJ	32D US3, 10B, 26, 32D US3, 10B, 32D US
(ADJ. BOLT ONLY)	26D 26D 26D
PDBULADJ26D-1RD	
PDBULADJ26D-1	

Doormerica

Heavy Duty Commercial Mortise Locks

Features:

- Non Handed
- Stock 6 pin Schlage "C" keyway
- Door thickness 1-3/4" standard, other thicknesses available when specified
- Backset 2-3/4"
- Lock case Heavy gauge plated steel
- Armored Front Wrought Stainless Steel or brass-adjustable angle and attached by screws to the lock case front
- Dead bolt 1" throw, Stainless Steel with hardened anti-saw pins
- Latch bolt Stainless Steel latch and anti-friction insert
- Guard bolt Stainless Steel
- Stop works Push buttons- chrome plated brass
- Strike Stainless Steel or brass, 4-7/8" x 1-1/4" curved lip ANSI strike
- Handing Handed, reversible in field
- UL Listings UL listed, 3 hour fire doors, single and pairs
- ANSI Specification Meets all Grade 1 security, operational, dimensional and cycling requirements of ANSI/BHMA A156.13 Series 1000, Lock body conforms to Federal Standard FF-H-106 Type 86/87



Specifications:

Mortise Locks – ML series.

All locks or latches are provided with 3 hour listed Stainless Steel dead latch or spring latch. Lock chassis shall be Stainless Steel, steel bar and cold rolled steel case with ball-bearing roller retractors.

Options:

- Trim: 06, 17, 03, specify "A" for sectional trim
- Finish: Escutcheon US26D, 10B
Sectional: US26D, 10B, 26

CODE COMPLIANCE:



- ANSI A156.13 Series 1000 Grade 1
- Listed UL10C and UBC 7.2 for positive pressure.
- ANSI A117.1 ADA Barrier-free Accessibility
- C-UBC California Uniform Builders Code -2001
- NFPA-80 National Fire Protection -1999
- NFPA-101 National Fire Protection-Life Safety-2000

LIMITED LIFETIME WARRANTY

Stocked Product

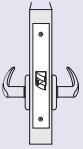
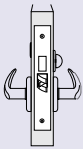
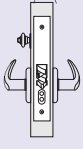
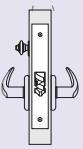
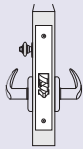
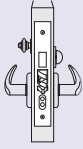
Item	Finish
03 Lever, Sectional CML901003A, CML904003A, CML905003A, CML907003A, CML908003A, CML945303A	26D
06 Lever, Sectional CML901006A, CML904006A, CML905006A, CML907006A, CML908006A, CML945306A	10B, 26D, 26
17 lever, Sectional CML901017A, CML904017A, CML905017A, CML907017A, CML908017A, CML945317A	10B, 26D, 26
06 Lever, Escutcheon CML901006L, CML904006L, CML905006L, CML907006L, CML908006L, CML945306L	10B, 26D

Doormerica

Heavy Duty Commercial Mortise Locks

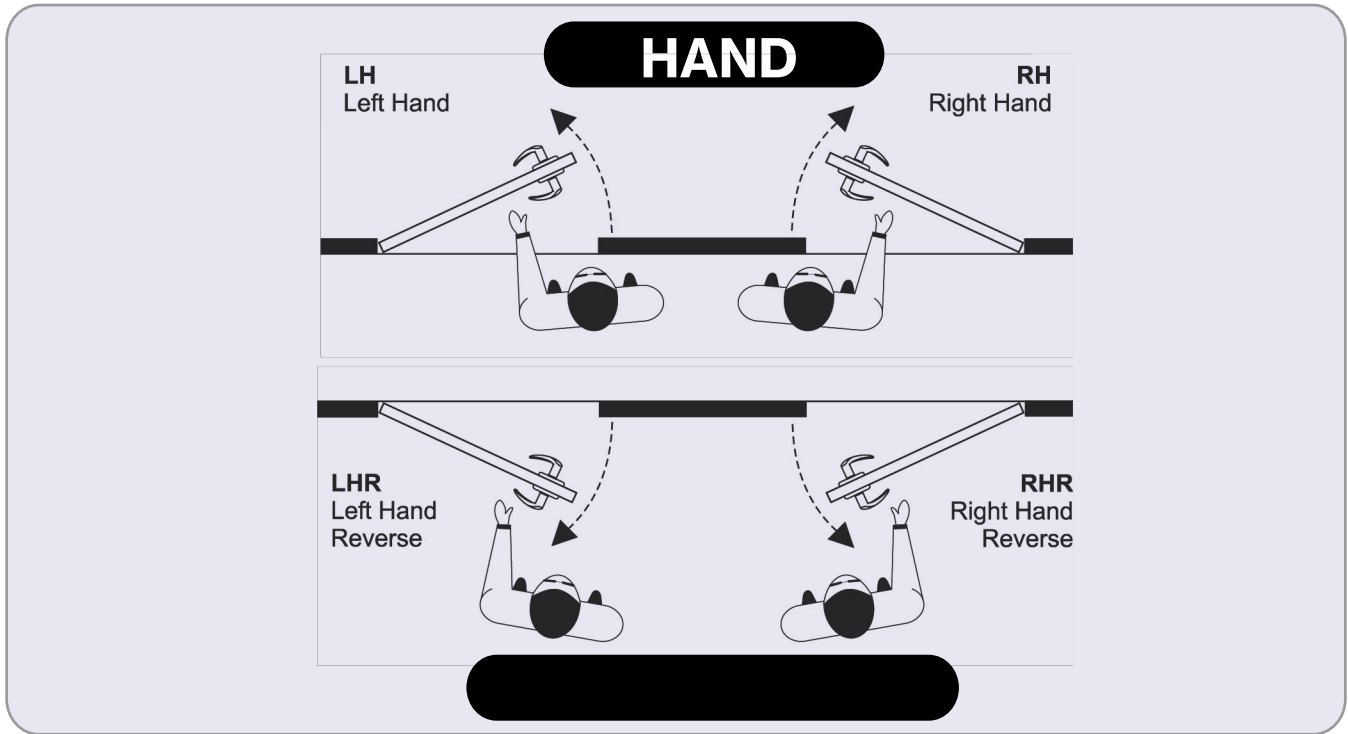


For Sectional trim specify "A"

PICTURE	SERIES	FUNCTION	ANSI NUMBER	FUNCTION DESCRIPTION
	ML9010	Passage or Closet	F01	Latch bolt operated by lever from either side at all times.
	ML9040	Privacy or Bathroom	F19	Latch bolt operated by lever from either side. Dead bolt operated by turn from inside and emergency release from outside. Operating inside lever retracts both bolts.
	ML9050	Entry/ Office	F04	Latch bolt operated by lever from either side, except when outside lever is made inoperative by a stop or mechanical means other than key. When outside lever is locked, latch bolt is retracted by key from outside or by operating inside lever. ***Auxiliary dead bolt latch.
	ML9070	Classroom	F05	Latch bolt operated by lever from either side, except when outside lever is locked from outside by key or push button mechanism. When outside lever is locked, latch bolt may be retracted by key, or by operating key or push button mechanism and outside lever from outside or by operating inside lever. ***Auxiliary dead bolt latch.
	ML9080	Storeroom or Closet	F07	Latch bolt operated by key from outside or by rotating inside lever. Outside lever is always inoperative. ***Auxiliary dead bolt latch.
	ML9453	Entranca/ Apartment/ Dormitory	F20	Latch bolt operated by lever from either side, except when outside lever is made inoperative by push button rocker. Dead bolt projected by key from outside and by thumb turn from inside. Key outside operates both bolts. Operating inside lever retracts both bolts and outside remains locked. Latch bolt is deadlocked when outside lever is made inoperative or when the dead bolt is projected. When dead bolt is retracted, lever is unlocked by stop or mechanical means other than key.

Doormerica

Handing Chart



Doormerica

EDR701 / EDFR701 (Fire Rated) Heavy Duty Grade 1 Rim Exit Device



Features:

- Chassis mounted unit construction.
- Minimum style 4-1/2".
- Standard door thickness 1-3/4".
- For all doors up to 36".
- Universal design retrofits on Von Duprin 99 series & Sargent 88 Series.
- Material: Cover, and cap and rail are made of brass, bronze or Stainless Steel.
- 161 ANSI cutout.
- Mounting: Furnished with wood & machine screws. Thru bolts, standard on fire rated devices.
- Non Handed.
- Latch Bolt: Stainless Steel 3/4"

Dimensions:

Touchbar Height to finish floor	41" at center
Touchbar Projection	Neutral 2-1/2"
	Depressed..... 1-3/4"
Center case	8-1/2" x 2-1/2" x 2"
Device Length Standard	2'2" - 3'
Long (L).....	2'9" - 4'

Options:

- Stocked 48" length, specify "L"
- Available different functions. Lever escutcheon trims are Grade 1 construction with clutch free wheeling mechanism. Covers 161 cutout, see page 11.
- ALRMKIT700 Alarm Kit available for 3' & 4' applications.
- Glass Bead Kits available.

Specifications:

- All exit devices shall be of touch bar design with smooth operation and be operative over 2/3 of the door's clear opening width.
- All exit devices must be listed under "Panic Hardware" in the Accident Equipment List of Underwriter's Laboratories, Inc. Where labeled doors are used as exits, they must be equipped with labeled Fire Exit Hardware and UL 10C, UBC 7-2-1997 codes.
- All exit devices shall be of chassis mounted unit construction.



CODE COMPLIANCE:

- ANSI A165.3, Grade 1
- UL listed for Panic and UL 10C, UBC 7-2-1997 codes.
- UL listed for Fire Exit Hardware. 3 Hours.
- (A) label rating on pairs of doors up to 8'0" x 8'0" swinging in same or opposite directions.

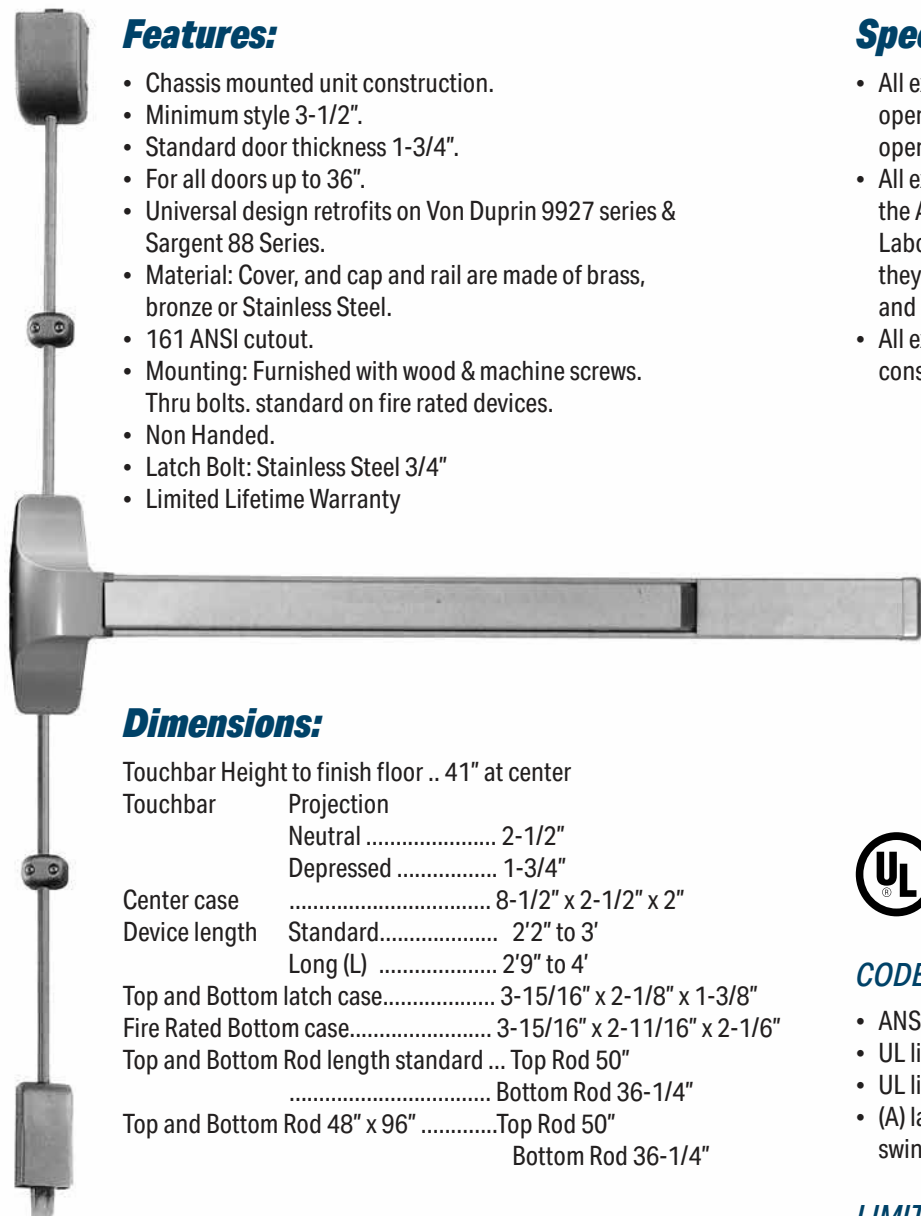
LIMITED LIFETIME WARRANTY

Stocked Product

Item	Finish
EDR701	10B, 28, 32D 36" & 48" length applications
EDFR701*	10B, 28, 32D 36" & 48" length applications

* Fire rated

EDV701 / EDFV701 (Fire Rated) Heavy Duty Grade 1 Vertical Rod Exit Device



Features:

- Chassis mounted unit construction.
- Minimum style 3-1/2".
- Standard door thickness 1-3/4".
- For all doors up to 36".
- Universal design retrofits on Von Duprin 9927 series & Sargent 88 Series.
- Material: Cover, and cap and rail are made of brass, bronze or Stainless Steel.
- 161 ANSI cutout.
- Mounting: Furnished with wood & machine screws. Thru bolts. standard on fire rated devices.
- Non Handed.
- Latch Bolt: Stainless Steel 3/4"
- Limited Lifetime Warranty

Specifications:

- All exit devices shall be of touch bar design with smooth operation and be operative over 2/3 of the door's clear opening width.
- All exit devices must be listed under "Panic Hardware" in the Accident Equipment List of Underwriter's Laboratories, Inc. Where labeled doors are used as exits, they must be equipped with labeled Fire Exit Hardware and UL 10C, UBC 7-2-1997 codes.
- All exit devices shall be of chassis mounted unit construction.

Dimensions:

Touchbar Height to finish floor .. 41" at center	
Touchbar	Projection
	Neutral 2-1/2"
	Depressed 1-3/4"
Center case 8-1/2" x 2-1/2" x 2"
Device length	Standard..... 2'2" to 3'
	Long (L) 2'9" to 4'
Top and Bottom latch case.....	3-15/16" x 2-1/8" x 1-3/8"
Fire Rated Bottom case.....	3-15/16" x 2-11/16" x 2-1/6"
Top and Bottom Rod length standard ...	Top Rod 50"
 Bottom Rod 36-1/4"
Top and Bottom Rod 48" x 96"	Top Rod 50"
	Bottom Rod 36-1/4"



CODE COMPLIANCE:

- ANSI A165.3, Grade 1
- UL listed for Panic and UL 10C, UBC 7-2-1997 codes.
- UL listed for Fire Exit Hardware. 3 Hours.
- (A) label rating on pairs of doors up to 8'0" x 8'0" swinging in same or opposite directions.

LIMITED LIFETIME WARRANTY

Options:

- Stocked 48" x 96" length, specify "L"
- Available different functions. Lever escutcheon trims are Grade 1 construction with clutch free wheeling mechanism. Covers 161 cutout.
- Alarm Kit available for 3' & 4' applications.
- Glass Bead Kits available.

Stocked Product

Item Finish	
EDV701 10B, 28, 32D	36" x 96", 48" x 96"
EDFV701*	10B, 28, 32D
	36" x 96", 48" x 96"

* Fire rated

Doormerica

EDFV701 x LBR (Fire Rated) Heavy Duty Grade 1 Vertical Rod - Less Bottom Rod



Features:

- LBR No Bottom Strike. Free access for wheel chairs, stretcher and carts
- For all doors 3' x 8'
- Standard door thickness 1-3/4"
- Minimum style 3-1/2" for double door applications.
- Mounting: thru bolts are standard
- Material: Cover, and cap and rail are made of brass, bronze or Stainless Steel.
- Non Handed.
- 161 ANSI cutout.
- Latch Bolt & Spring: Stainless Steel
- Auxiliary spring latch (fire Bolt) is installed in lower edge of door, when exposed fire bolt releases keeping the door closed and regulated.

Options:

- Stocked 48" x 96" length, specify "L"
- Fire bolt separate part number FB385
- Available different functions. Lever escutcheon trims are Grade 1 construction with clutch free wheeling mechanism. Covers 161 cutout.
- ALRMKIT700 Alarm Kit available for 3' & 4' applications.
- Glass Bead Kits available.



CODE COMPLIANCE:

- ANSI A165.3, Grade 1
- UL & ULC listed. LBR series for fire exit hardware for all types of 8' x 8' double doors including double egress for up to 3 hour metal, H/2 hour wood doors fire labeled installations. Conforms to standard UL 1DC, UBC 7-2-1997 codes.

LIMITED LIFETIME WARRANTY

Dimensions:

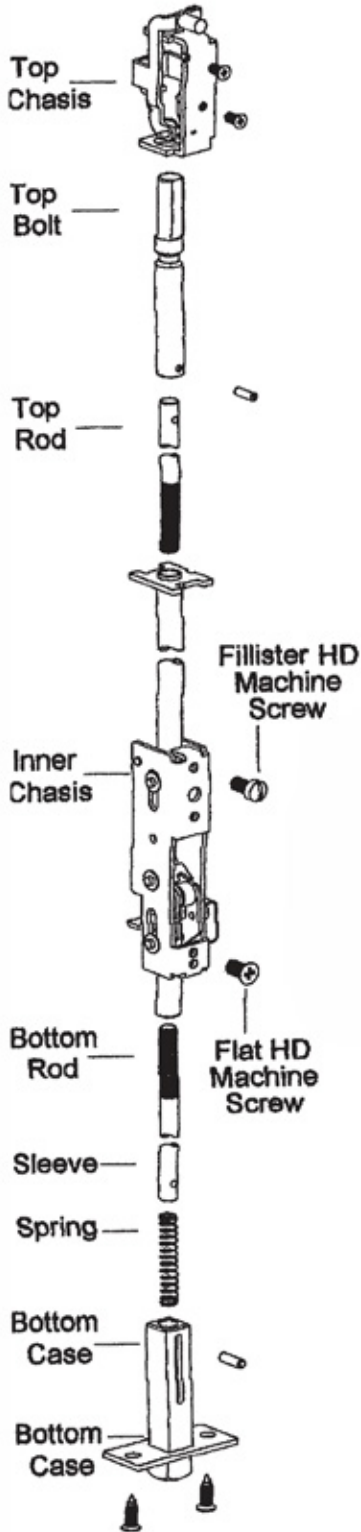
Touchbar height to finished floor.....	41" at center
Touchbar Projection	
Neutral	2-1/2"
Depressed.....	1-3/4"
Center case	8-1/2" x 2-1/2" x 2"
Device length Short 3'	2'2" to 3'
Long 4'.....	2'9" to 4'
Panic grade top latch case	3-15/16" x 2-1/8" x 1-3/8"
Fire grade top latch case	3-15/16" x 2-11/16" x 2-1/16"
Top rod length for 36" x 84" doors.....	Top Rod 50"
Top rod length for 48" x 96" doors.....	Top Rod 50"
Vertical rod	1/2" Round tubing

Stocked Product

Item	Finish
EDFV701 x LBR	10B, 28, 32D
36" x 96", 48" x 96"	

Doormerica

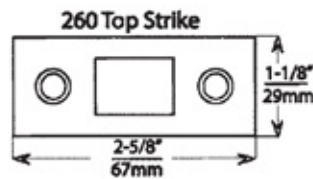
EDCVM701 / EDFCVM701 (Fire Rated) Heavy Duty Concealed Vertical Rod Exit Device (for metal doors)



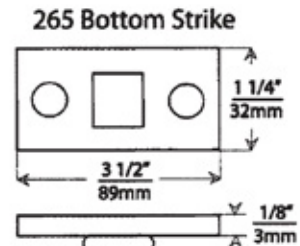
Specifications:

- For Doors..... Metal. 13/4" (44.5mm) minimum thickness
4 1/2" (114mm) minimum stile width
- Chassis..... Nonferrous alloy
- Chassis Cover..... Bronze or Stainless Steel
- Mounting Furnished standard with machine screws.
- End Cap..... Brass, Bronze or Stainless Steel Construction
- Handing..... Easily field reversible. Specify at time of order LHRB, RHRB for convenience.
- ANSI standard..... A156.3, Grade 1.
- Strike..... 260 top and 265 bottom.

- Top and bottom bolts- Stainless Steel. Top and bottom bolt travel 7/16" (11mm)
- Projection adjustable up to 1(25mm)
- Fire Exit hardware..... EDFCVM701 Series for fire Exit hardware for all types of 8'0" x 8'0" Double doors for up to 3 hour fire labeled installations, conforms to standards UL10C and UBC 7-2-1997 codes.
- Rail height Specify door opening and mounting height of center line of rail ordering an vertical Rod Exit Device 41" from floor.
- Trim..... See trim Designs section
- Door size 36" x 84" 36" x 96"
48" x 84" 48" x 96"



- ◆ For applications metal frames
- ◆ Stainless Steel



- ◆ Furnished with expansion shields
- ◆ Mortised into floor
- ◆ Stainless Steel



CODE COMPLIANCE:

- ANSI A 156.3 Grade 1. UL 1 OC and UBC 7.2 for positive pressure.
- ANSIA117.1 and ADA for barrier-free accessibility
- C-UBC -California Uniform Builders Code 2001
- NFPA-80 -National Fire Protection Association 1999
- NFPA101 National Fire Protection -Ufe Safety 2000

LIFETIME WARRANTY

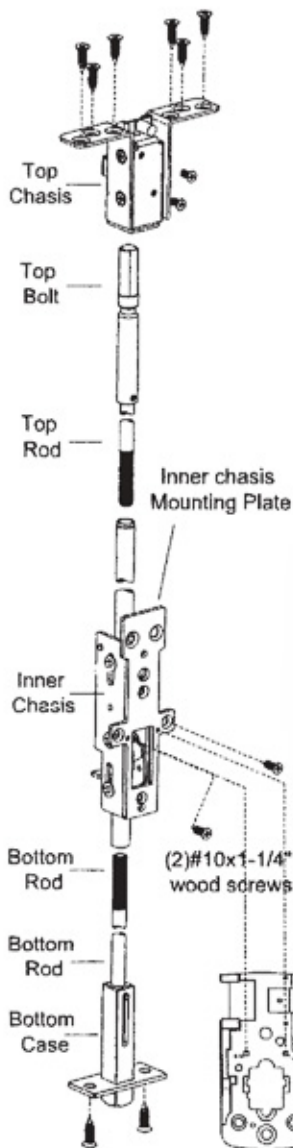
Stocked Product

Item	Finish
EDCVM701	10B, 32D
36" x 84", 48" x 84", 36" x 96", 48" x 96"	
EDFCVM701*	10B, 32D
36" x 84", 48" x 84", 36" x 96", 48" x 96"	
* Fire rated	

Doormerica

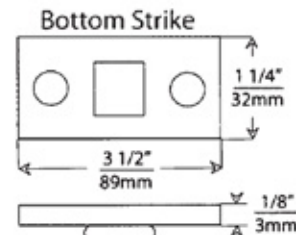
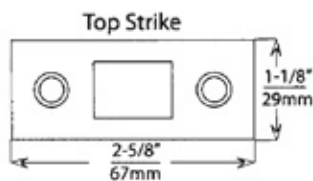
EDFCVW701 - (Fire Rated)

Heavy Duty Concealed Vertical Rod Exit Device (for wood doors)



Specifications:

- For Doors..... Wood. 13/4" (44.5mm) minimum thickness
4 1/2" (114mm) minimum stile width
- Chassis..... Nonferrous alloy
- Chassis Cover..... Bronze or Stainless Steel
- Mounting Furnished standard with wood and machine screws.
- End Cap..... Brass, Bronze or Stainless Steel Construction
- Handing..... Easily field reversible. Specify at time of order LHRB, RHRB for convenience.
- ANSI standard..... A156.3, Grade 1.
- Strike..... 260 top and 265 bottom.
- Top and bottom bolts- Stainless Steel. Top and bottom bolt travel 7/16(11mm)
- Projection adjustable up to 1" (25mm)
- Fire Exit hardware..... EDFCVW701 Series for fire Exit hardware for all types of 8'0" x 8'0" Double doors for up to 1-1/2 hour fire labeled installations, conforms to standards UL10C and UBC 7-2-1997 codes.
- Rail height Specify door opening and mounting height of center line of rail ordering an vertical Rod Exit Device 41" from floor.
- Trim..... See trim Designs section
- Door size 36" x 84" 36" x 96"
48" x 84" 48" x 96"



- ♦ For applications metal frames
- ♦ Stainless Steel

- ♦ Furnished with expansion shields
- ♦ Mortised into floor
- ♦ Stainless Steel



CODE COMPLIANCE:

- ANSI A 156.3 Grade 1. UL 1 OC and UBC 7.2 for positive pressure.
- ANSIA117.1 and ADA for barrier-free accessibility
- C-UBC -California Uniform Builders Code 2001
- NFPA-80 -National Fire Protection Association 1999
- NFPA101 National Fire Protection -Ufe Safety 2000

LIFETIME WARRANTY

Stocked Product

Item	Finish
EDFCVW701	10B, 32D
36" x 84", 48" x 84", 36" x 96", 48" x 96"	

Doormerica

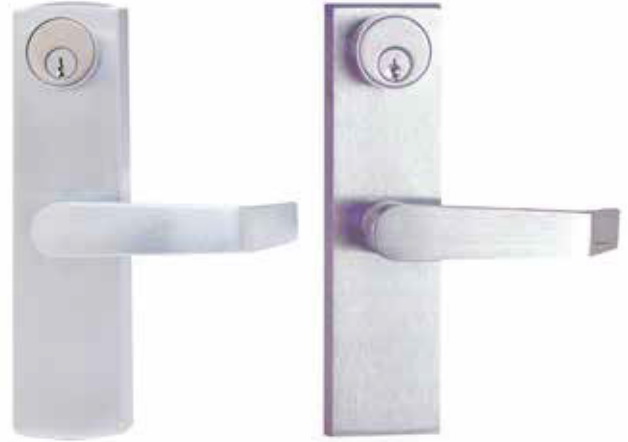
Escutcheon Lever Design

Features:

- Grade 1, thrubolted design, clutch freewheeling. Non handed design. Easily field reversible.
- Hardened steel heavy duty tailpiece. Available for fire and non fire rated rim and vertical rod exit devices.
- Keyed functions stock "C" keyway, 1-1/8" mortise cylinder
- Door thickness 1-3/4"
- Escutcheon dimensions: 2-5/16" width x 8-1/2" length, lever 4-3/4". Fits & covers 2-1/8" 161 cutout.
- Escutcheon dimensions for CVR trim: 2-5/16" width x 8-1/2" length.

Functions:

Entry (L)	ETL Key locks and unlocks lever	ANSI 13
Passage (BE)	ETLBE Trim always free operable	ANSI 15
Dummy (DT)	ETLDT Dummy trim, One sided	ANSI 10
Store Room (NL)	ETLNL Key retracts latch bolt otherwise locked	ANSI 04



Trim for CVR

Stocked Product

Item	Finish
ETL	10B, 26D
ETLBE	10B, 26D
ETLDT	10B, 26D
ETLNL	10B, 26D

Lever: SATURN and SPARTA

For Concealed Applications

Item	Finish
ETL06CV	10B, 26D
ETLBE06CV	10B, 26D
ETLDT06CV	10B, 26D
ETLNL06CV	10B, 26D

Lever: SATURN

Pull & Thumbpiece Design (for Rim and SVR Devices)



Dummy

- ETDT Outside by pull only, pull when dogged.
- ANSII Function 02.
- covers 161 cutout. **Store Room** covers 161 cutout.
- ETNL Outside by pull key retracts latchbolt.
- ANSII Function 03.

Entrance

- ETPP Key locks and unlocks thumb piece.
- ANSII Function 13.
- covers 161 cutout.

Options:

Available with SFIC less core cylinder contact sales department

Stocked Product

Item	Finish
ETDT	10B, 32D
ETNL	10B, 32D
ETPP	10B, 32D

"C" keyway
Cylinder type: ETPP mortise, ETNL rim

Doormerica

Glass Bead Shim Kits

- GBKR for rim devices, 1/8" thick
- GBKV for vertical rod devices, 1/8" thick
- GBKVF for fire rated devices, 1/8" thick

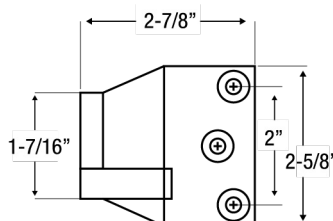
Note: When exit devices use both trim and shim kits then spindle length on thumb pieces and thru bolts must be increased accordingly

Stocked Product

Item	Finish
GBKR	ZN
GBKV	ZN
GBKVF	ZN

254ZN Overlapping Strike

- Surface applied. Used on inactive leaf for device on active leaf of pair of doors without mullion.



Stocked Product

Zinc Dichromate Finish ZN

FB385 Firebolt



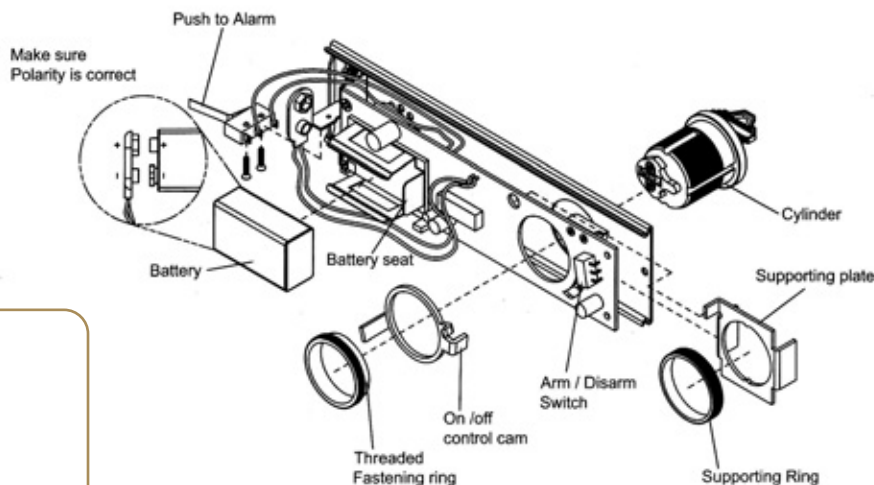
Stocked Product

Item	Finish
FB385	32D

Exit Alarm Kit

Specify ALARM KIT

- Used with 700 series exit devices
- Length 3' door Specify "L" for 4' door
- Type: Rim or vertical rod
- Key "C" keyway furnished

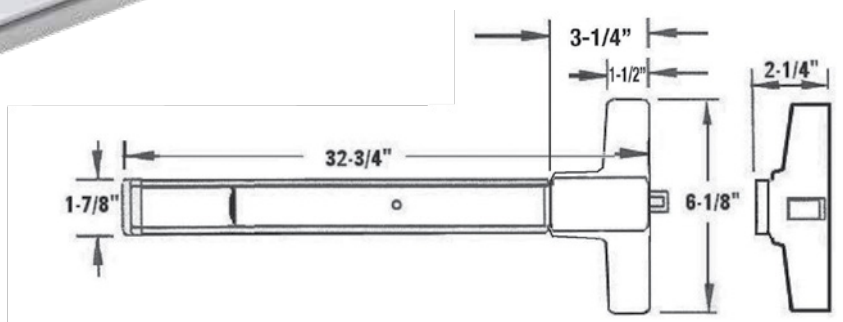
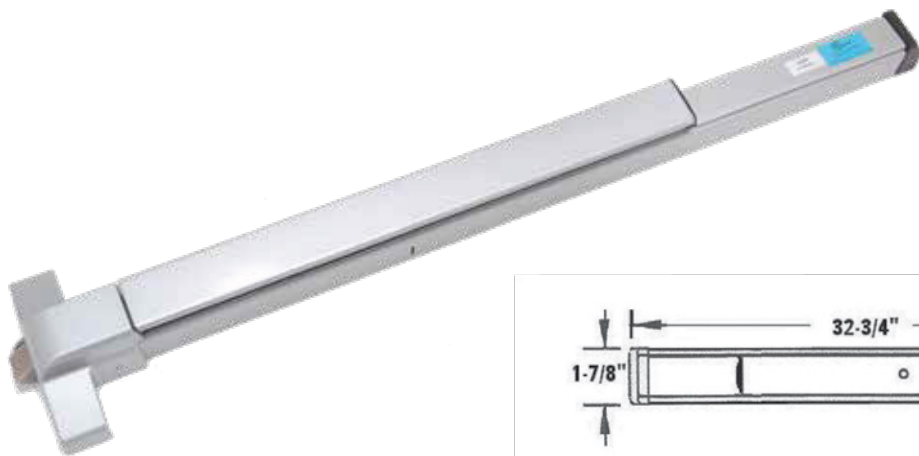


Stocked Product

Item	Finish
ALMRKIT700 (FOR 36" DEVICE)	10B, 28
ALMRKIT700L (FOR 48" DEVICE)	10B, 28

Doormerica

ED501 / EDF501 (Fire Rated) Standard Duty Commercial Rim Exit Device



Features:

- Deadlatching and Non-Handed.
- Dogging Standard Only on NON-UL listed Device.
- Baked Enamel Aluminum (AL) and Durodonic (DU) Finish.
- For all doors up to 36".
- PEDPS01 & PEDSS01 -Standard Strike and Shim.
- PEDFP161 & PEDFP-ANSI -Latch & Strike Filler Plate.
- PEDSNB -Standard with Sex Bolts.
- EDF501 -UL Listed for Fire and Egress -Listed for 1-1/2 Hour for Doors Under 38" (3'-2") x 86" (7'-2").

Options:

- Stocked 48" length, specify "L" (for non rated device)
- EDS551 -Exit Device made from Stainless Steel.
- ALRMKIT500 -Alarm Kit. Mortise Cylinder NOT Included
- ETLHL500 -Entry Function -Lever -161 Cylindrical Prep.
- ETLHL580 -Storeroom Function -Lever -161 Cylindrical Prep.
- ETPP05 -Pull Plate with Cylinder cut-out, Rim Cylinder NOT Included.
- ETPP06 -Pull Plate Only.



CODE COMPLIANCE:

- ANSI A 156.3 Grade 2. UL 1 OC and UBC 7.2 for positive pressure.
- ANSIA117.1 and ADA for barrier-free accessibility
- C-UBC -California Amended Uniform Builders Code -2001
- NFPA-80 -National Fire Protection Association 1999
- NFPA-101 National Fire Protection Association Life Safety -2000

1 YEAR LIMITED WARRANTY

Stocked Product

Item	Finish
ED501 (36" & 48")	Aluminum, Duro
EDF501*	Aluminum, Duro
EDS551	Stainless Steel

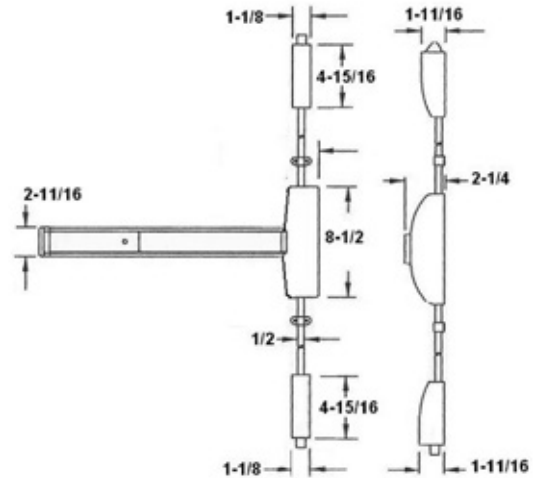
* Fire rated

Doormerica

EDVR531 / EDFVR531 (Fire Rated) Standard Duty Commercial Surface Vertical Rod Exit Device

Features:

- Deadlatching and Non-Handed. Dogging Standard Only on NON-UL listed Device.
- Interlocking Top and Pullman Bottom Latch.
- Baked Enamel Aluminum (AL) and Duronodic (DU) Finish.
- PEDPS03 & PEDPS11 -Standard Top & Bottom Strike.
- PEDFP161 & PEDFP-ANSI -Latch & Strike Filler Plate.
- PEDSNB -Standard with Sex Bolts.
- For all doors up to 36" (3') x 84" (7').
- EDFVR531 -UL Listed for Fire and Egress
-Listed for 1-1/2 Hour Fire doors under 38" (3'2") x 86" (7'2")



Options:

- ALRMKIT500 -Alarm Kit. Cylinder NOT Included, See Cylinder Section.
- ETLHL500 -Entry Function Lever #161 cylindrical preparation.
- ETLHL580 -Storeroom Function Lever #161 cylindrical Prep.
- ETPP05 Pull Plate with Cylinder cut-out, Rim Cylinder NOT Included.
- ETPP06 -Pull Plate Only.



CODE COMPLIANCE:

ANSI A 156.3 Grade 2. UL 1 OC and UBC 7.2 for positive pressure.
ANSIA117.1 and ADA for barrier-free accessibility
C-UBC -California Uniform Builders Code 2001
NFPA-80 -National Fire Protection Association 1999
NFPA101 National Fire Protection -Ufe Safety 2000

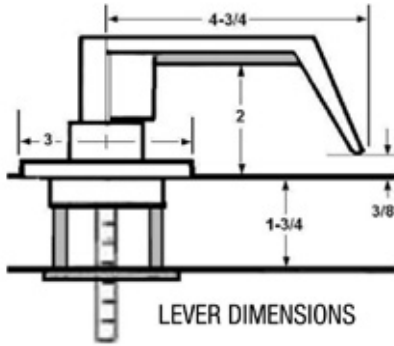
1 YEAR LIMITED WARRANTY

Stocked Product

Item	Finish
EDVR531	Alumnum and Duro
EDFVR531*	Alumnum and Duro
* Fire rated	

Doormerica

Exit Device Trim

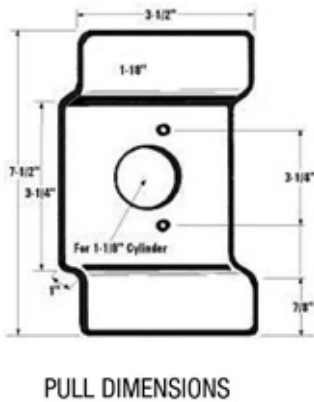


- ETLHL500* - ENTRY FUNCTION
- ETLHL510* - PASSAGE LEVER TRIM
- ETLHL580* - STOREROOM LEVER TRIM

Stocked Product

Item	Finish
ETLHL500	10B, 26D
ETLHL510	10B, 26D
ETLHL580	10B, 26D

Pull Trim



ETPP05
RIM CYLINDER
NOT INCLUDED



ETPP06

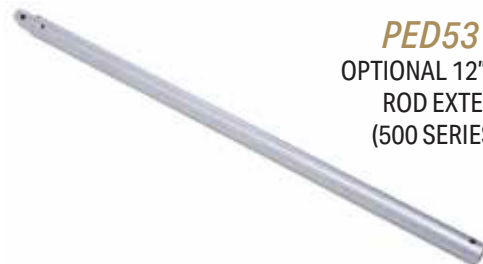
Accessories



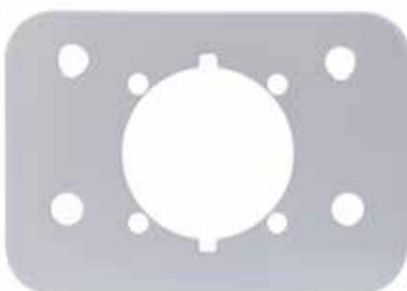
PEDMP161
ANSI 161 2-1/8" BORE
TRIM MOUNTING
PLATE



ALRMKIT500 - ALARM KIT
USED WITH 500 SERIES EXIT DEVICES
1-1/8" MORTISE CYLINDER
NOT INCLUDED



PED531EXT
OPTIONAL 12" VERTICAL
ROD EXTENSION
(500 SERIES ONLY)



PEDBPVR BACK PLATE
FOR USE WITH VERTICAL
ROD TRIM

Stocked Product

Item	Finish
ALRMKIT500	Aluminum, Duro
ETPP05/ETPP06	Aluminum, Duro
PED531EXT	Aluminum, Duro
PEDBPVR	Aluminum
PEDMP161	Non-Finished

Doormerica

Mullion 7100 - For use with Non-Rated Rim Exit Devices on non-rated pairs of doors

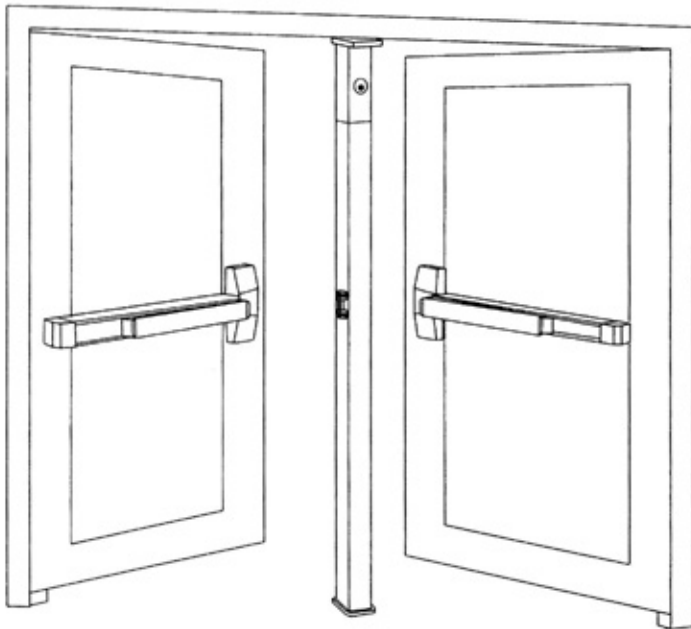
Specifications:

- Mullion Size..... 2" x 3" x 96" Steel Tube. Mullion may be field cut to fit proper size.
- Rim Cylinder Use Rim Cylinder, cylinder not included. 3/8" spacer required. Not included.
- Top Bracket Steel, using key allows the mullion to be removed in seconds.
Mullion can be locked in top bracket easily without using the key.
- Bottom Bracket..... Steel, fixed by 4 hex bolts with Stainless Steel anchors.
- Strike..... Use two standard Rim Strikes, not included
- Finish..... Gray baked powder coating only

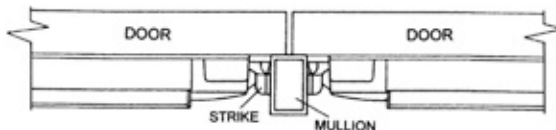
Mullion 7100F - For use with Fire-Rated Rim Exit Devices on fire-rated pairs of doors

Specifications:

- Mullion Size..... 2" x 3" x 96" Steel Tube. Mullion may be field cut to fit proper size.
- Rim Cylinder..... Use Rim Cylinder, cylinder not included. 3/8" spacer required. Not included.
- Top Bracket Stainless Steel, using key allows the mullion to be removed in seconds.
Mullion can be locked in top bracket easily without using the key.
- Bottom Bracket..... Stainless Steel, fixed by 4 hex bolts with Stainless Steel anchors.
- Strike..... Use two (2) sets of Mullion Strikes (688) & Strike Hooks (689) - Not Included. (Part No. MULL7100FSTRIKEPACK)
- Finish..... Gray baked powder coating only



The removable Mullion is used for with two Rim Devices on double doors.



FOR USE WITH FIRE-RATED

FOR USE WITH NON-RATED



Top Bracket



Top Bracket



Bottom Bracket



Bottom Bracket



Mullion Strike



Rim Strike



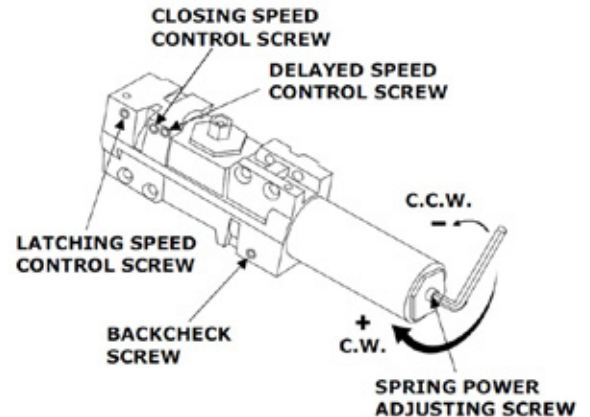
Strike Hook

Stocked Product

Item	Description
MULL7100	Mullion Non-Rated
MULL7100F	Mullion Fire-Rated
MULL7100FSTRIKEPACK	Fire Rated Mullion Pack

Doormerica

DC40 / DC40XPBF - Extra Heavy Duty Commercial Door Closer



Features:

- Same hole pattern as LCN 4040/4041.
- Tri-Pack with regular, parallel and top-jamb mounting, instructions and full size template.
- DC40XPBF also conforms to the minimum opening force requirements of the ADA and ANSI/BHMA Standard A117.1
- Spring adjustment from size BF-6.
- Non handed
- Standard with adjustable sweep, latch and back check.
- Full plastic cover
- SNB -Sex Nuts and Bolts
- Limited Lifetime Warranty
- 4 closers per shipping carton
- Cast iron body



CODE COMPLIANCE:

- ANSI A156.4 Grade 1. UL10C and UBC 7.2 for positive pressure.
- C-UBC -California Amended Uniform Builders Code -2001
- California State Fire Marshall (CSFM) approved
- ADA compliant

LIMITED LIFETIME WARRANTY

Options: Closer packed with ARM

- CUSH: Heavy Duty Cush Arm
- DA: Delayed Action
- EDA: Extra Duty Arm
- H: Hold Open Arm (available with closer or arm only)
- HCUSH: Hold Open Cush Arm
- HEDA: Hold Open Extra Duty Arm
- SCUSH: Spring Cush Arm
- SHCUSH: Spring Hold Open Cush Arm

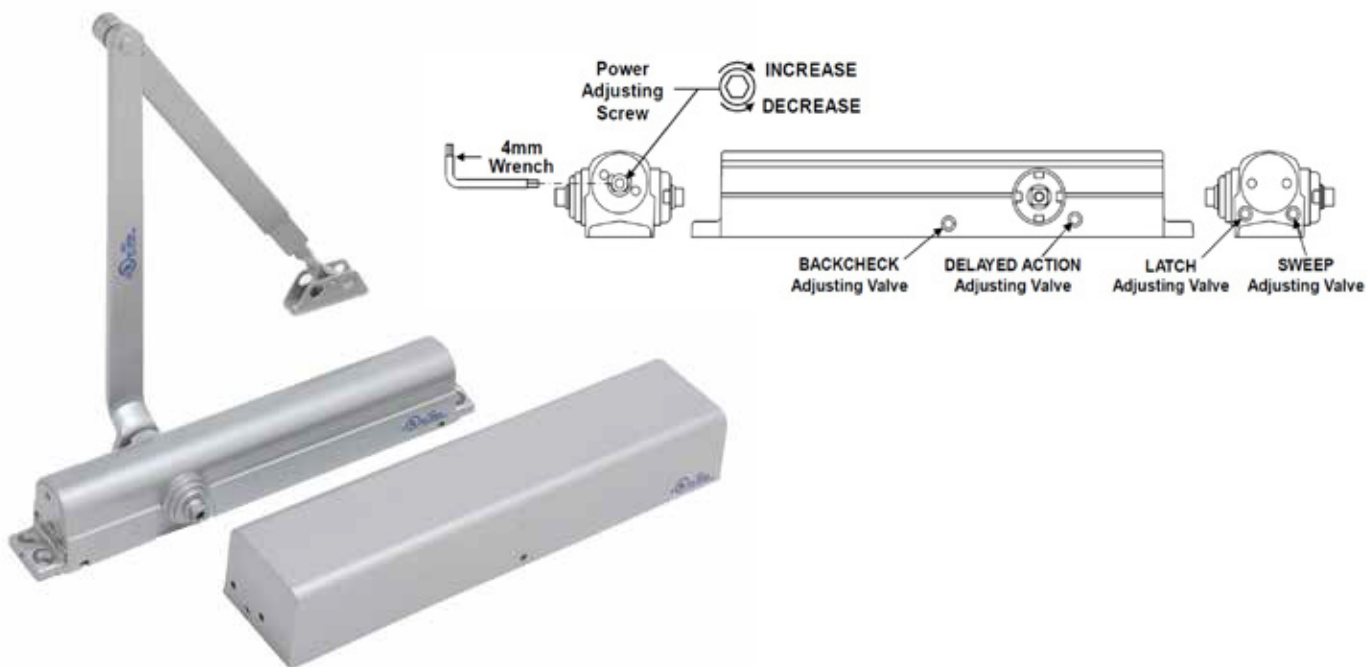
CAUTION: Door closer for Low Opening Force Applications: *Door closers installed in openings required to meet the requirements of The Americans with Disabilities Act or ANSI/BHMA Standard A117.1, when adjusted to meet those requirements, may not provide adequate closing power to dependably close and latch the door.*

Stocked Product

Item	Finish
DC40 Regular Arm	Aluminum, Duro, US3, Gold
DC40XPBF Regular Arm	Aluminum, Duro
Cush Arm	Aluminum, Duro
Delayed Action	Aluminum, Duro
EDA Arm	Aluminum, Duro
EDA Arm Only	Aluminum
H Cush Arm	Aluminum, Duro
H EDA Arm	Aluminum, Duro
Hold Open Arm	Aluminum, Duro
S Cush Arm	Aluminum, Duro
SH Cush Arm	Aluminum, Duro

Doormerica

DC851 - Heavy Duty Commercial Door Closer



Features:

- Same hole pattern as Norton 8301/8501.
- Tri-Pack with regular, parallel, and top-jamb mounting, instructions and full size template
- Standard Spring adjustment Size BF-6
- Non handed
- Standard with adjustable sweep, latch, and back check
- Full plastic cover
- SNB: Sex nuts and bolt fasteners

Options:

- CUSH: Heavy Duty Parallel Mount Cush arm
- DA: Delayed Action
- EDA: Extra Duty Arm
- H: Friction Hold-Open non handed arm
- HCUSH: Hold Open Cush Arm
- HEDA: Hold Open Extra Duty Arm
- SCUSH: Spring Cush Arm
- SHCUSH: Spring Hold Open Cush Arm
- PDC831: Slimline Cover Only

CAUTION: Door closer for Low Opening Force Applications: *Door closers installed in openings required to meet the requirements of The Americans with Disabilities Act or ANSI/BHMA Standard A117.1, when adjusted to meet those requirements, may not provide adequate closing power to dependably close and latch the door.*



CODE COMPLIANCE:

- ANSI A156.4 Grade 1 UL1DC and UBC 7.2 for positive pressure.
- ANSI A117.1 and ADA for barrier-free accessibility
- C-UBC - California Uniform Builders Code -2001
- California State Fire Marshall (CSFM) approved.

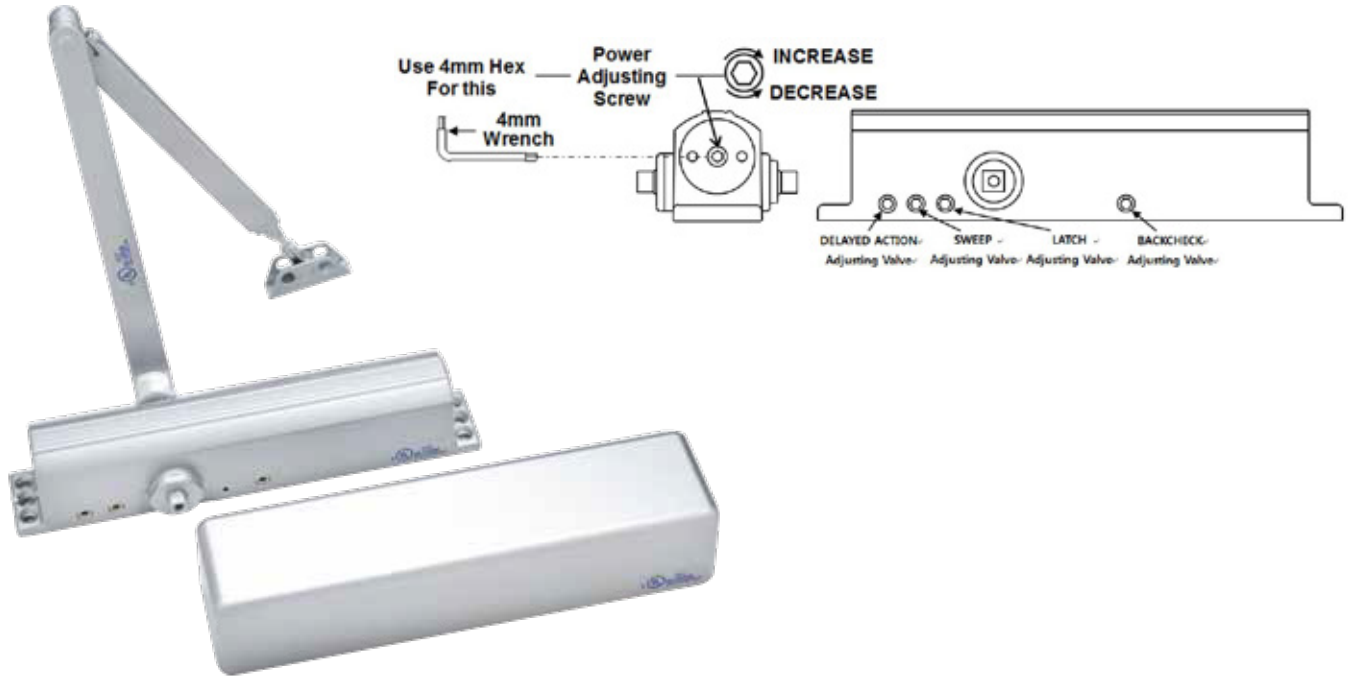
LIMITED LIFETIME WARRANTY

Stocked Product

Item	Finish
DC851 Regular Arm	Aluminum, Duro
Cush Arm	Aluminum, Duro
Delayed Action	Aluminum, Duro
EDA Arm	Aluminum, Duro
H Cush	Aluminum, Duro
H EDA	Aluminum, Duro
Hold Open Arm	Aluminum, Duro
S Cush	Aluminum, Duro
SH Cush	Aluminum, Duro

Doormerica

DC70 / DC70BF - Heavy Duty Commercial Door Closer



Features:

- Tri-Pack with regular, parallel and top-jamb mounting, instructions and full size template.
- Standard spring adjustment from size 1 to 6
- Non handed
- Standard with adjustable sweep, latch and back check.
- Full plastic cover
- SNB -Sex Nuts and Bolts
- Standard hole pattern and mounting location.
- Limited Lifetime Warranty
- 6 closers per shipping carton

Options:

- BF: Barrier free spring adjustment from size BF-4.
- CUSH: Heavy Duty Parallel Mount Cush Arm.
- DA: Delay Closing Action.
- H: Friction Hold Open Non-Handed Arm.
- HCUSH: Hold Open Parallel Mount Cush Arm.

CAUTION: Door closer for Low Opening Force Applications: *Door closers installed in openings required to meet the requirements of The Americans with Disabilities Act or ANSI/BHMA Standard A117.1, when adjusted to meet those requirements, may not provide adequate closing power to dependably close and latch the door.*



CODE COMPLIANCE:

- ANSI A 156.4 Grade 1. UL 1 OC and UBC 7.2 for positive pressure.
- ANSIA 117.1 and ADA for barrier-free accessibility C-UBC -California Amended Uniform Builders Code -2001
- California State Fire Marshall (CSFM) approved

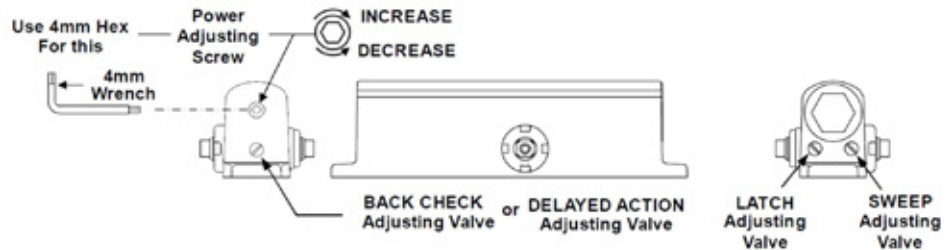
LIMITED LIFETIME WARRANTY

Stocked Product

Item	Finish
DC70 Regular Arm:	Aluminum, Duro, Gold, US3, US26
BF Spring option:	Aluminum, Duro, Gold
Cush Arm:	Aluminum, Duro
Delayed Action:	Aluminum, Duro
H Cush:	Aluminum, Duro
Hold Open	Aluminum, Duro, Gold

Doormerica

DC161 / DC161BF - Standard Duty Commercial Door Closer



Specifications:

Full rack and pinion type with cast aluminum alloy body. All closers shall be provided with non-critical valves adjustment to independently regulate the sweep, latch and back-check. Closer shall have full spring adjustment from size 1 to size 4 for barrier free (BF) size and size 2 to size 6 for standard size. The closer shall be pre-adjusted at the factory to size 2 for the DC161BF and size 3 for DC161. Closer shall be non-handed with slim line cover with a projection of 3" from the surface of the door. All closers shall be mounted to allow the maximum degree of swing.

Features:

- Same hole pattern as Norton 1600.
- Tri-Pack with regular, parallel and top-jamb mounting, instructions and full size template.
- Standard spring adjustment from size 2 to 6
- Non handed
- Standard with adjustable sweep, latch and back check.
- Slimline Plastic Cover
- SNB -Sex Nuts and Bolts

Options:

- BF: Barrier free spring adjustment from size BF-4.
- H: Hold Open Arm

CAUTION: Door closer for Low Opening Force Applications: *Door closers installed in openings required to meet the requirements of The Americans with Disabilities Act or ANSI/BHMA Standard A117.1, when adjusted to meet those requirements, may not provide adequate closing power to dependably close and latch the door.*



CODE COMPLIANCE:

- ANSI A156.4 Grade 1 UL10C and UBC 7.2 for positive pressure.
- ANSI A117.1 and ADA for barrier-free accessibility
- C-UBC -California Uniform Builders Code -2001
- California State Fire Marshall (CSFM) approved

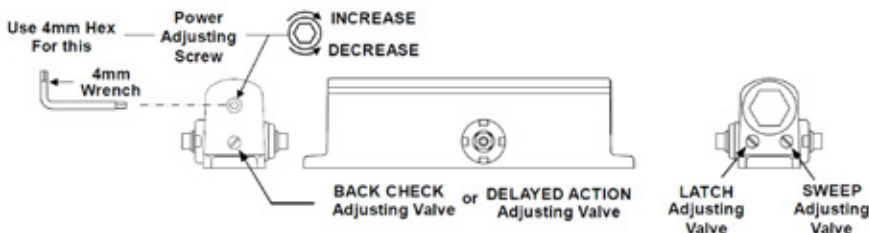
10 YEAR LIMITED WARRANTY

Stocked Product

Item	Finish
DC161	Aluminum, Duro
DC161BF	Aluminum, Duro
DC161H	Aluminum, Duro

Doormerica

DC50 - Standard Duty Commercial Door Closer



CODE COMPLIANCE:

- ANSI A156.4 Grade 2. UL10C and UBC 7.2 for positive pressure.
- C-UBC -California Amended Uniform Builders Code -2001
- California State Fire Marshall (CSFM) approved
- NOTE: May need to consider other closer if barrier free required. Please discuss with sales associate.

10 YEAR LIMITED WARRANTY

Features:

- 54 series fits Norton 1600 series hole pattern and mounting location
- Tri-Pack with regular, parallel and top-jamb mounting. instructions and full size template.
- Standard Closer Spring Sized to 3, 4 with NO adjustment.
- Non handed
- Standard with adjustable sweep, latch.
- Slim line Plastic Cover
- SNB -Sex Nuts
- 10 year warranty
- 10 closers per shipping carton

Options:

- BC: Backcheck adjustment valve

Stocked Product

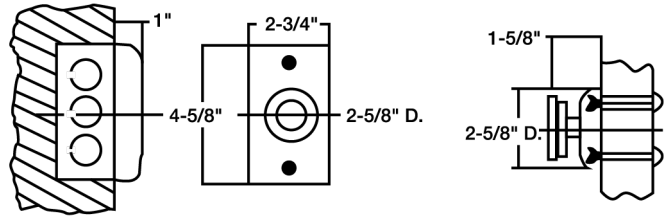
Item	Finish
DC53	Aluminum, Duro
DC54	Aluminum, Duro
DC54BC	Aluminum, Duro

Closer Drop Plates (Drawings available upon request)

Closer used with	SKU	Description	Finish
DC40	PDC4018	Pull Side (Door Jamb)	AL/DU
DC40	PDC4018G	Push Side (Top Jamb)	AL/DU
DC40	PDC4018PA	Push Side (Door Mount)	AL/DU
DC40	PDC4018TJ	Push Side (Top Jamb)	AL/DU
DC70	PDC7018	DROP PLATE PULL SIDE MOUNT	AL/DU
DC70	PDC7018TJ	DROP PLATE TOP JAMB MOUNT	AL/DU
DC851	PDC8513146	Pull Side (Door Jamb)/Push Side (Top Jamb)	AL/DU
DC851	PDC8513148	Push Side (Top Jamb/Door Mount)	AL/DU
DC851	PDC8513546	Pull Side (Door Jamb)	AL/DU
DC851	PDC8513548	Push Side (Door mount)	AL/DU

Doormerica

2100 Series - Electro Magnetic Door Holder



Features:

- Multiple voltages standard 24VAC, 24VDC, 120VAC
- Recessed wall mounted fits inside standard single gang electrical box.
- Includes 1/2" extension with product.
- 1/2" and 3/4" extensions available.

Specifications:

The 2100 Series Electro-magnetic Door Holder is stocked Tri Voltage. It can be wired to 12V DC, 24VAC/DC or 120VAC. Units can be used on fire/smoke barrier doors hold open until released by a remote switching device. They can also be used to just hold a door open. The armature is thru-bolted to the door for security. Extensions available for different projection requirements.

CODE COMPLIANCE:



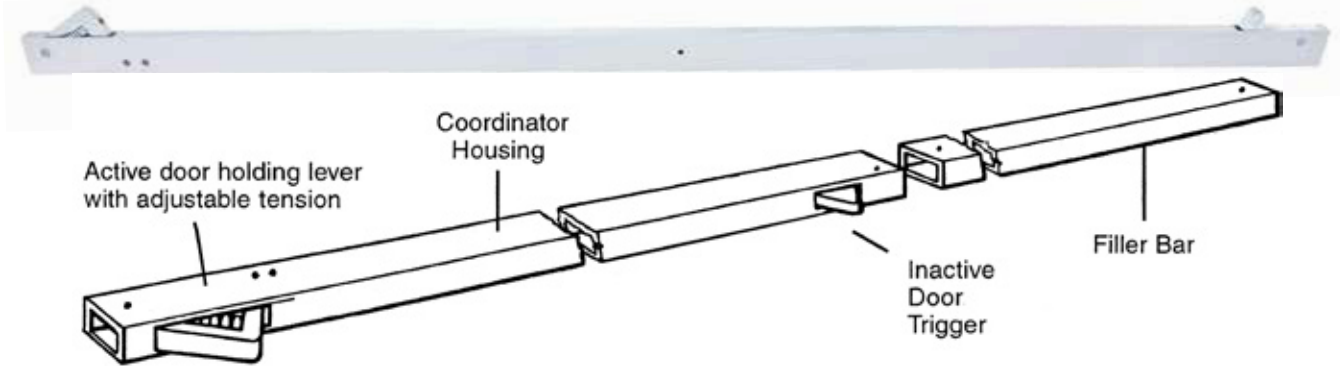
Under Writers US and Canada Listed
California State Fire Marshal Listed
Meets ANSI 156.15

Stocked Product:

Item	Finish
2100	Aluminum, Duro
PMH20050	1/2" AL extension
PMH20075	3/4" AL extension

Doormerica

COR 60 / COR 72 / COR 84 - Coordinator and Accessories

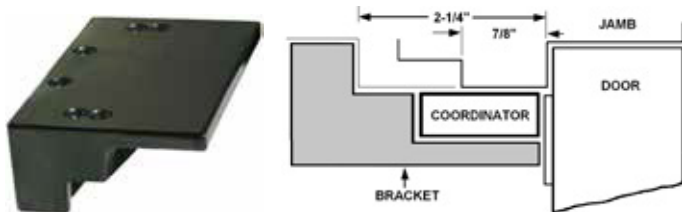


Features:

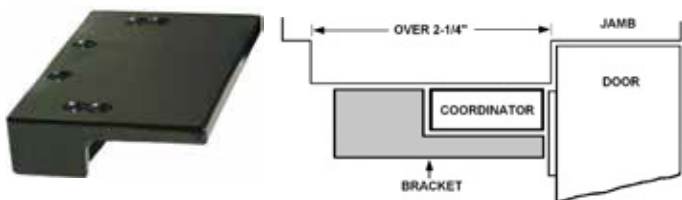
- Extruded Aluminum Housing.
- Adjustable Tension Override Spring.
- Filler Bar provided allowing an even, unbroken line the full width of the opening.
- Mounting Screws #12 x 24 x 1-1/4" MS.
- For use on Fire Rated Openings.

Options:

	Opening Width	Coordinator Size	Filler Size
COR 60	5'	42"	18"
COR 72	6'	52"	20"
COR 84	7'	52"	32"



PCORMB434 Mounting Bracket (1 step)
Jamb Depth 4-3/4" Min. 5/8" Stop
Height - For Stop over 2-1/4" (sold as pair)



PCORMB414 Mounting Bracket (2 step)
Jamb Depth 4-1/4" Min.
5/8" Stop Height - For Stop Width 7/8" to 2-1/4" (sold as pair)

Specifications:

Coordinator – Coordinator shall be by Doormerica model number COR flat bar type and made from extruded Aluminum. Coordinator shall control the closing sequence so the active door is held open until the inactive door closes, triggering the release of the active door allowing for proper latching. Filler bar shall be provided allowing an even, unbroken line the full width of the opening. Optional PCORMB434 or PCORMB414 shall be ordered for each piece of hardware to be mounted over the bar coordinator.



CODE COMPLIANCE:

- ANSI 156.3 Type 21A.
- Conforms to UL 10C and UBC 7-2.
- ANSI A117.1 and ADA for barrier-free accessibility.
- C-UBC - California Uniform Builders Code.
- NFPA 80 - National Fire Protection Association.
- NFPA 101 - National Fire Protection, Life Safety.

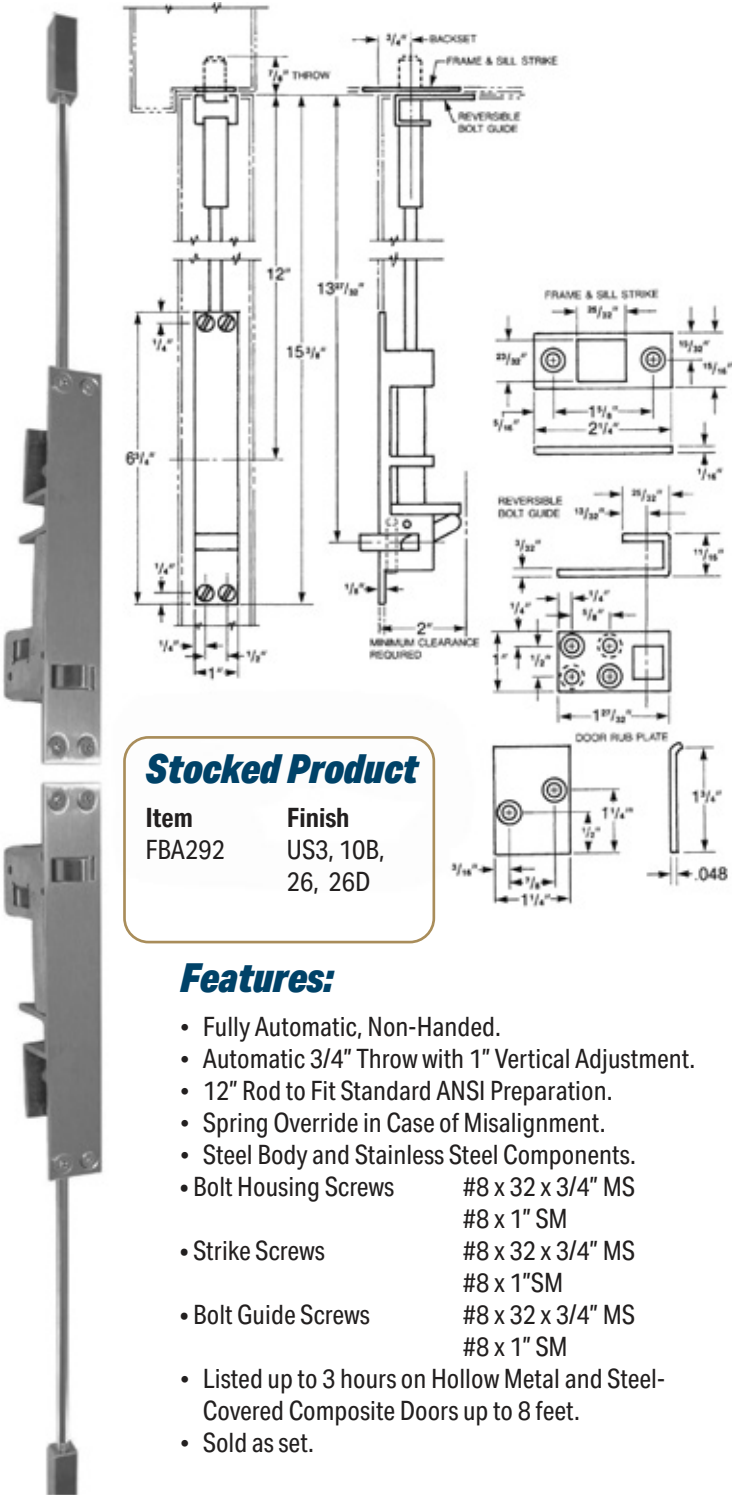
1 YEAR LIMITED WARRANTY

Stocked Product

Item	Finish
COR 60	Aluminum
COR 72	Aluminum
COR 84	Aluminum
PCORMB414	Black
PCORMB434	Black

Doormerica

FBA292 - Automatic Flush Bolts For Metal Doors



Stocked Product

Item	Finish
FBA292	US3, 10B, 26, 26D

Features:

- Fully Automatic, Non-Handed.
- Automatic 3/4" Throw with 1" Vertical Adjustment.
- 12" Rod to Fit Standard ANSI Preparation.
- Spring Override in Case of Misalignment.
- Steel Body and Stainless Steel Components.
- Bolt Housing Screws #8 x 32 x 3/4" MS #8 x 1" SM
- Strike Screws #8 x 32 x 3/4" MS #8 x 1" SM
- Bolt Guide Screws #8 x 32 x 3/4" MS #8 x 1" SM
- Listed up to 3 hours on Hollow Metal and Steel-Covered Composite Doors up to 8 feet.
- Sold as set.

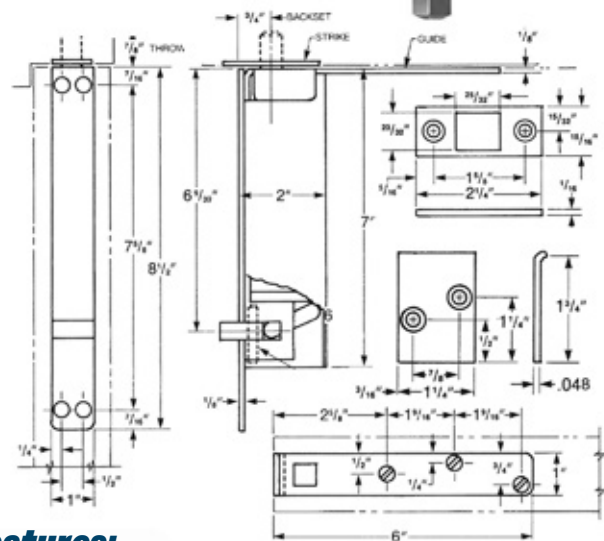
1 YEAR LIMITED WARRANTY

FBA291 - Automatic Flush Bolts For Wood Doors



Stocked Product

Item	Finish
FBA291	US3, 10B, 26, 26D



Features:

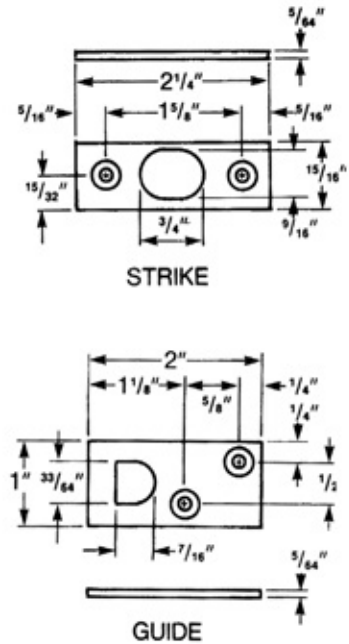
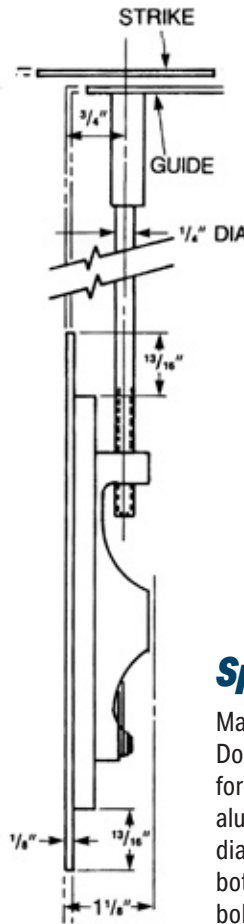
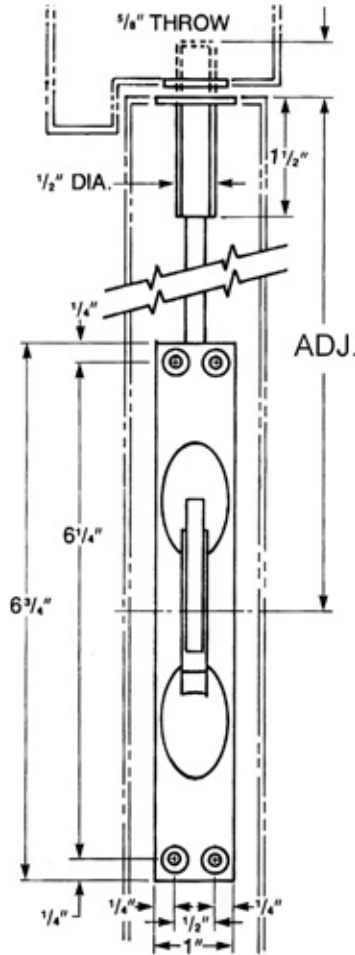
- Fully Automatic, Non-Handed.
- Automatic 3/4" Throw and 3/4" Vertical Adjustment.
- Spring Override in Case of Misalignment.
- Steel Body and Stainless Steel Components.
- Bolt Housing Screws #8 x 3/4" SM #8 x 32 x 1/4" MS
- Strike Screws #8 x 3/4" SM
- Bolt Guide Screws #10 x 7/8" SM
- Rub Plate Screws #8 x 3/4" SM
- Listed up to 1-1/2 hours on Composite Wood Doors up to 8 Feet.
- Sold as set.

CODE COMPLIANCE:



Doormerica

Manual Flush Bolts



Features:

- FB197 -Forged Brass.
- Non-Handed.
- 5/8" Throw with 7/8" Vertical Adjustment.
- 12" Rod to Fit Standard ANSI Preparation.
- Spring Loaded Lever to Project or Retract Bolt.
- Forged Brass Construction.
- Bolt Housing Screws #8 x 32 x 1/2" MS #8 x 1" SM
- Strike Screws #8 x 32 x 1/2" MS #8 x 1" SM
- Bolt Guide Screws #8 x 32 x 1/2" MS #8 x 1" SM
- Listed up to 3 hours on Hollow Metal and Steel-Covered Composite Doors up to 8 feet.

Specifications:

Manual Flush Bolt -Manual flush bolts shall be by Doormerica model number FB197 series made from forged brass or FB197AL series made from extruded aluminum. Flush bolts shall be provided with 1/2" diameter brass bolts and project 5/8" from the top or bottom edge of door with 7/8" vertical adjustment. Flush bolts shall have spring loaded lever to project or retract the bolts.



CODE COMPLIANCE:

- FED. SPEC. -1049
- ANSI-A156.16.
- BHMA -LI4081
- NFPA 80 -National Fire Protection Association

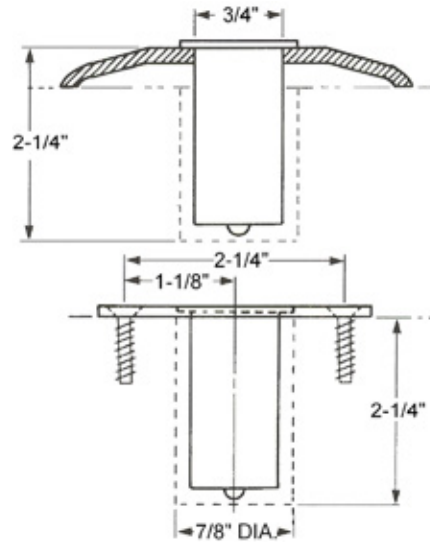
1 YEAR LIMITED WARRANTY

Stocked Product

Item	Finish
FB197	US3, 10B, 26, 26D

Doormerica

DPS280 - Dust Proof Strike



Features:

- Spring Loaded 3/4" Plunger.
- Both Floor and Threshold Installation.
- Face Plate 3" x 1-1/2".
- Body Diameter 15/16".
- Overall Depth 2-1/4"
- Strike Screws #12 x 1-1/2"
- Plastic Anchors
- Listed for use up to 3 Hours.

Specifications:

Dust Proof Strike – Dust Proof Strike shall be by Doormerica model number DPS280 series and made from extruded brass. All dust proof strikes shall be provided with 3/4" diameter spring loaded plunger that returns to the floor level when the flush bolt is retracted.



CODE COMPLIANCE:

- ANSI - A156.16.
- BHMA – L14011 - L14012
- Conforms to UL10C and UBC 7-2.
- ANSI A117.1 and ADA for barrier-free accessibility.
- C-UBC - California Uniform Builders Code.
- NFPA-80- National Fire Protection Association.
- NFPA-101- National Fire Protection, Life Safety.

1 YEAR LIMITED WARRANTY

Stocked Product

Item	Finish
DPS280	US3, 10B, 26, 26D

Doormerica

DH179 / DHBB179 - 4 x 4, 4-1/2 x 4, 4-1/2 x 4-1/2, 5 x 4-1/2

Full Mortise, Standard Weight Hinge

Features:

- Full mortise, square corner, standard weight steel template hinge.
- Material Gauge 4" = .123
4-1/2" = .134
5" = .145
- Plain Bearing or Ball Bearing
- Screw packages -All Machine Screws (AMS) and -All Wood Screws (AWS).
- Machine Screws -Phillips(#1) Flat-head -12 x 24 x 1/2"
- Wood Screws -Phillips(#1) Flat-head -12 x 1-1/4"
- Also available NRP (Non Removable Pin)

Options:

- NRP -Non Removable Pin with set screw.
- DHBB179SS -Stainless Steel Base Metal. (32D).
- DHBB179BR (brass based)

PACKAGING INFORMATION:

- Size 4" & 4-1/2" -3 Hinges per BOX and 48 per Carton. Size 5" -3 Hinges per BOX and 24 per Carton.

Note: NRP (Non Removable Pin) available on most sizes. Contact sales department for availability



Stocked Product

Item	Finish
DH179 4" x 4" and 4-1/2" x 4-1/2"	US3,US4,10B,15,15A,26,26D
DH179 4-1/2" x 4"	US3,US4,26
DHBB179 4" x 4"	US3,US4,10B,15,26,26D
DHBB179 4-1/2" x 4"	US3,US4,10B,26
DHBB179 4-1/2" x 4-1/2"	USP,US3,US4,10B,15,26,26D,32D
DHBB179 5" x 4-1/2"	US3,10B,26,26D
DHBB179 5" x 5"	26D
DHBB179BR 4-1/2' x 4-1/2"	10B,26D
DHBB179BR 5" x 4-1/2"	10B,26D
DHBB179SS 5" x 4-1/2"	32D

DHRC179 / DHRCBB179 - 3-1/2 x 3-1/2, 4 x 4

1/4" Radius Corner Standard Weight Plain & Ball Bearing Hinge

Features:

- Full mortise, 1/4" Radius Corner, Standard Weight Steel Template Hinge.
- Material Gauge -3-1/2" = .119, 4" = .129
- Plain Bearing
- Ball Bearing Available Only in 4 x 4.
- Screw packages -All Machine Screws (AMS) and All Wood Screws (AWS).
- 3-1/2" AMS (10 x 24 x 1/2) and AWS (9 x 1")
- 4" - AMS (12 x 24 x 1/2) and AWS (12 x 1-1/4")
- NRP - Non Removable Pin stocked 4 x 4 size only RC179 and RCBB179

PACKAGING INFORMATION:

- Size 3.5" x 3.5" -2 Hinges per BOX and 100 per Carton
Size 4" x 4" -3 Hinges per BOX and 48 per Carton



Stocked Product

Item	Finish
DHRC179 3-1/2" x 3-1/2" and 4" x 4"	US3, US4,10B,15, 26, 26D
DHRCBB179 4" x 4"	US3, US4,10B,15, 26, 26D

Doormerica

DHBB168 - 4-1/2 x 4-1/2, 5 x 4-1/2

Full Mortise, Heavy Weight Hinge

Features:

- Full Mortise, Square Corner, Heavy Weight Steel Template Hinge.
- Material Gauge 4-1/2" = .180
 5" = .190
- Four Ball Bearings
- Stock Sizes 4-1/2" x 4-1/2" and 5" x 4-1/2"
- Screw packages -All Machine Screws (AMS) and Half Wood Screws (1/2 WS).
- Machine Screws -Phillips(#1) Flat-head -12 x 24 x 1/2"
- Wood Screws -Phillips(#1) Flat-head -12 x 1-1/4"
- Available NRP non removable pin
- Also available in SS (Stainless Steel) and BR (brass based)

PACKAGING INFORMATION:

- Size 4.5" x 4.5" -3 Hinges per BOX and 24 per Carton
- Size 5" -3 Hinges per BOX and 24 per Carton



Stocked Product

Item	Finish
DHBB168 4-1/2" x 4-1/2"	US3,10B, 26, 26D
DHBB168 5" x 4-1/2"	US3,10B, 26D
DHBB168BR 4-1/2" x 4-1/2"	US3,10B, 26D
DHBB168BR 5" x 4-1/2"	US3,10B, 26D
DHBB168SS 4-1/2" x 4-1/2"	32D
DHBB168SS 5" x 4-1/2"	32D

DHSP179 - Commercial Weight Spring Hinge 4-1/2 x 4-1/2

DHRCSP179 - Commercial Weight Spring Hinge 4 x 4

Features:

- UL Listed
- Material Gauge -.134
- Adjustable Spring Tension
- Screw Packages -All Machine Screws (AMS) and All Wood Screws (AWS).
- Machine screws Phillips(#1) Flat-head -12 x 24 x 1/2"
- Wood Screws Phillips(#1) Flat-head -12 x 1-1/4"

PACKAGING INFORMATION:

- Size 4" & 4-1/2" -3 Hinges per BOX and 48 per Carton.



Full Mortise, Square Corner, Spring Hinges, Steel Template Hinge.



Full Mortise, 1/4" Radius Corner, Spring Hinges, Steel Hinge.

Stocked Product

Item	Finish
DHRCSP179 4" x 4"	US3, US4,10B,15, 26, 26D
DHSP179 4-1/2" x 4-1/2"	US3, US4,10B, 15, 26, 26D

Doormerica

DHC700 / DHCB700

Standard Weight 3 Knuckle Plain & Concealed Bearing Hinge

Features:

- Full mortise, square corner, standard weight template hinge
- Material gauge - 4-1/2" = .134 5" = .145
- Plain bearing or concealed bearing
- Screw packages -all machine screws (AMS) and all wood screws (AWS)
- Machine screws -Phillips (#1) flat-head -12 x 24 x 1/2"
- Wood screws -Phillips (#1) flat-head -12 x 1-1/4"

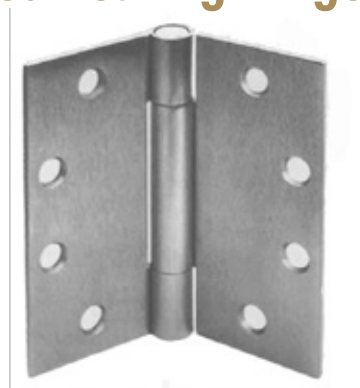
PACKAGING INFORMATION:

- Size 4.5" x 4.5" -3 Hinges per BOX and 48 per Carton Size 5" -3 Hinges per BOX and 24 per Carton



CODE COMPLIANCE:

- ANSI type A8133-3 (DHSC700) AND ABI12-3 (DHCB700)
- Meet USA federal spec. #FF-H-116C
- C-UBC -California Amended Uniform Builders Code-2001.
- NFPA-80-National Fire Protection Association -1999.
- NFPA-101 National Fire Protection Association Life Safety -2000



Stocked Product

Item	Finish
DHC700 4-1/2" x 4-1/2" Brass	10B, 26D
DHC700 4-1/2" x 4-1/2" SS	32D
DHCB700 4-1/2" x 4-1/2"	26D
DHCB700 4-1/2" x 4-1/2" Brass	10B, 26D
DHCB700 4-1/2" x 4-1/2" SS	32D
DHCB700 5" x 4-1/2"	26D
DHCB700 5" x 4-1/2" Brass	26D

DHCB800 - Heavy Weight 3 Knuckle Concealed Bearing Hinge

Features:

- Full mortise, square corner, heavy weight steel template hinge
- Material Gauge 4-1/2" = .180
5" = .190
- Screw packages -all machine screws (AMS) and half wood screws (AWS)
- Machine screws -Phillips (#1) flat-head -12 x 24 x 1/2"
- Wood screws -Phillips (#1) flat-head -12 x 1-1/4"

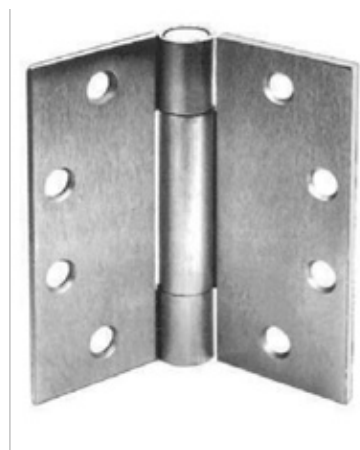
PACKAGING INFORMATION:

- Size 4.5" & 5" -3 Hinges per BOX and 24 per Carton



CODE COMPLIANCE:

- ANSI type A8111-3 (DHCB800)
- Meet USA federal spec. #FF-H-116C
- C-UBC California Amended Uniform Builders Code-2001.
- NFPA-80-National Fire Protection Association -1999.
- NFPA-101 National Fire Protection Association Life Safety -2000



Stocked Product

Item	Finish
DHCB800 4-1/2" x 4-1/2" Brass	10B
DHCB800 4-1/2" x 4-1/2" SS	32D
DHCB800 5" x 4-1/2" SS	32D

Doormerica

DHRC114 / DHRC158 - 3-1/2 x 3-1/2, 4 x 4

1/4" and 5/8" Radius Corner Residential Hinge



Features:

- Full Mortise, 1/4" or 5/8" Radius Corner NonTemplate Steel hinge.
- Material Gauge -.085
- Plain Bearing
- Screw packages -All Wood Screws (AWS)
- Wood Screws for 3-1/2" -Phillips(#1) Flat-head -9 x 3/4"
- Wood Screws for 4" -Phillips(#1) Flat-head -9 x 1"
- NRP (Non Removable Pin) Stocked in 4" x 4" only

PACKAGING INFORMATION:

- Bulk only
- 100 hinges per shipping carton

Stocked Product

Item	Finish
DHRC114 3.5" x 3.5"	US3, US4, 10B, 15, 26D
DHRC114 4" x 4"	US3, US4, 10B, 15, 26, 26D
DHRC158 3.5" x 3.5"	US3, US4, 10B, 15, 26, 26D
DHRC158 4" x 4"	US3, US4, 10B, 15, 26D
NRP stocked in RC114 4" x 4" size only	

DHRCSP114 / DHRCSP158 - 4 x 4

1/4" and 5/8" Radius Corner Residential Spring Hinge

Features:

- Full Mortise, 1/4" or 5/8" Radius Corner, Spring Hinge.
- UL Listed
- Material Gauge -.097
- Adjustable Spring Tension
- Screw Packages -All Wood Screws (AWS)
- Wood Screws for 4" -Phillips(#1) Flat-head -9 x 1"

PACKAGING INFORMATION:

- 3 Hinges per BOX and 48 per Carton



Stocked Product

Item	Finish
DHRCSP114	US4, 15, 26, 26D
DHRCSP158	US4, 10B, 15, 26D

Doormerica

DHTM214 - 3-1/2 x 3-1/2, 4 x 4

1/4" Radius Corner, Light Weight Commercial Hinge



Features:

- Full Mortise, 1/4" Radius Corner Hinge Designed for Prefinished Steel Frames.
- Material Gauge -.085
- Plain Bearing.
- Screw packages -All Machine Screws (AMS) and Half Wood Screws (1/2 WS).
- 3-1/2" -AMS (10 x 24 x 1/2) and 1/2 WS (9 x 1")
- 4" -AMS (12 x 24 x 1/2) and 1/2 WS (12 x 1-1/4")

*NRP- Non Removable Pin stocked in 4" x 4" only

PACKAGING INFORMATION:

- Size 3-1/2 x 3-1/2 -2 hinges per box and 100 per carton
- Size 4 x 4 -3 hinges per box and 48 per carton

Stocked Product

Item	Finish
DHTM214 3-1/2" x 3-1/2"	10B, 26D
DHTM214 4" x 4"	10B, 26D
NRP stocked in 4" x 4" size only	

DHTS214 - 4 x 4

1/4" Radius Corner Light Weight Commercial Spring Hinge

Features:

- Full Mortise, 1/4" Radius Corner Hinge Designed for Prefinished Steel Frames
- UL Listed
- Material Gauge -.097
- Adjustable Spring Tension.
- Screw packages -All Machine Screws (AMS) and -Half Wood Screws (1/2WS).
- 4" -AMS (12 x 24 x 1/2") and 1/2 WS 12 x 1-1/4"

PACKAGING INFORMATION:

- 2 hinges per box and 80 per carton



Stocked Product

Item	Finish
DHTS214 4" x 4"	10B, 26D

Doormerica

Continuous Geared Aluminum Hinges

CH88 1120HD / CH88 2240HD - Heavy Duty Full-Mortise

Features:

- Concealed/Mortise Leaf
- May be used with any door material
- Heavy Duty for high frequency 1 3/4" doors or heavy medium frequency doors up to 450 lbs.
- For new construction
- For renovation with new door and/or frames
- No mortising of doors or frame required
- Will cover hinge cut outs in frames
- Flush mount no inset
- Frame and door leaf alignment ribs for proper hinge location

Specifications:

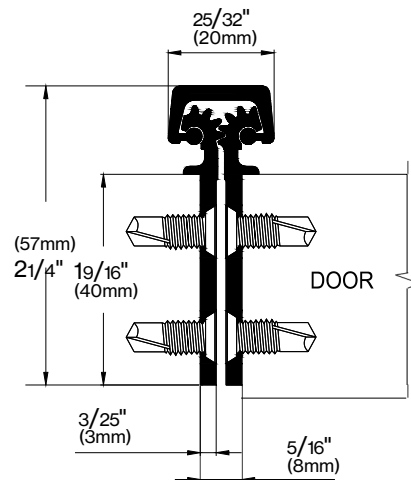
FASTENERS: Self-Tapping screws Full Mortise Hinges • All fasteners are No. 12-24 x 1/16" Type C, FHUC • Heavy Duty Hinges - 10 required for each leaf

LENGTH OPTIONS: 83" (7'0" opening) & 95" (7'2" - 8'0" opening)

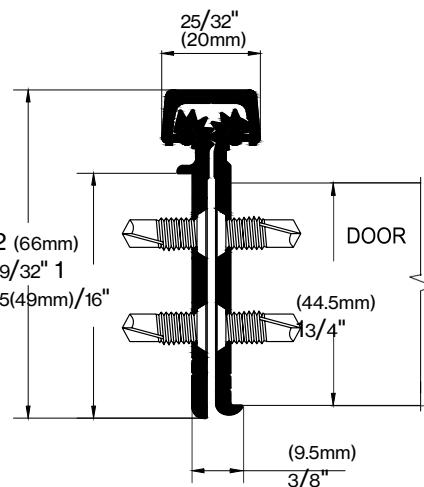
DOOR REINFORCEMENT: None needed. Use 16 gauge channel over 200 lbs.

FRAME REINFORCEMENT: None needed to 200 lbs. Use 16 gauge channel over 200 lbs.

MODEL#	LENGTH	SCREW COUNT DOOR/JAMB	CLEARANCE
CH88 1120HD	83"	19/19	5/16" (8mm) hinge side plus standard lockside clearance
CH88 1120HD	95"	19/19	5/16" (8mm) hinge side plus standard lockside clearance
CH88 2240HD	83"	19/19	5/16" (8mm) hinge side plus standard lockside clearance
CH88 2240HD	95"	19/19	5/16" (8mm) hinge side plus standard lockside clearance



CH88-1120HD



CH88-2240HD

LIMITED LIFETIME WARRANTY

Stocked Product

Item	Length	Finish
CH88 1120HD	83"	CLR, DB
CH88 1120HD	95"	CLR, DB
CH88 2240HD	83"	CLR, DB
CH88 2240HD	95"	CLR, DB

Available Finishes:
CLR (Clear Anodized Aluminum)
DB (Dark Bronze Anodized Aluminum)

Doormerica

Continuous Geared Aluminum Hinges CH88 1570HD / CH88 2100HD - Heavy Duty Full Surface

Features:

- Full Surface
- May be used with any door material
- Heavy Duty for high frequency 1 3/4" doors or heavy medium frequency doors up to 450 lbs.
- Replacement for existing doors and frames 7/8" minimum frame 1/16" inset

Specifications:

FASTENERS:

Self-Tapping screws. Full Surface Hinges

1) Frame Portion

- a) All fasteners are No. 12-24 x 1/16" Type C, FHUC
- Heavy Duty Hinges - 10 required for each leaf 2)

Door Portion

- b) Thrubolt 1/4-20 x 1 5/8" PCH
- Heavy Duty Hinges - 6 required for each leaf
- c) Shoulder bolt 1/4-20 x 1" PCH
- Heavy Duty Hinges - 6 required
- d) Pan Head Self Drilling No. 12 x 3/4"
- Heavy Duty Hinges - 4 required

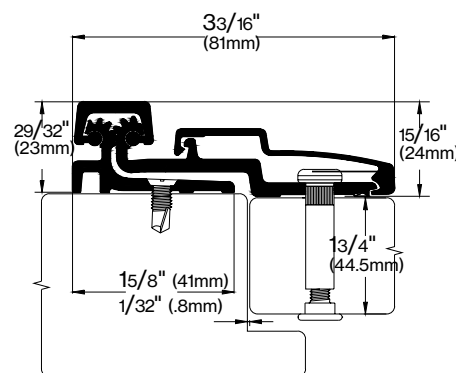
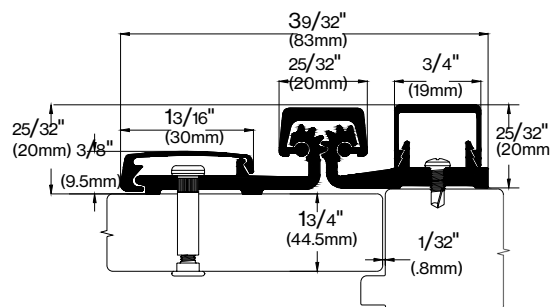
LENGTH OPTIONS:

83" (7'0" opening) & 95" (7'2"-8'0" opening)

DOOR REINFORCEMENT: None needed

FRAME REINFORCEMENT: None needed to 200 lbs. Use 16 gauge channel over 200 lbs.

MODEL#	LENGTH	SCREW COUNT DOOR/JAMB	CLEARANCE
CH88 1570HD	83"	19/19	1/32" (1mm) minimum
CH88 1570HD	95"	20/20	recommended for hinge side plus standard lockside clearance
CH88 2100HD	83"	19/19	1/32" (1mm) minimum
CH88 2100HD	95"	20/20	recommended for hinge side plus standard lockcase clearance 1 5/8" (41mm) minimum frame face required plus 3/16" (5mm) rotational clearance



LIMITED LIFETIME WARRANTY

Available Finishes:

CLR (Clear Anodized Aluminum)

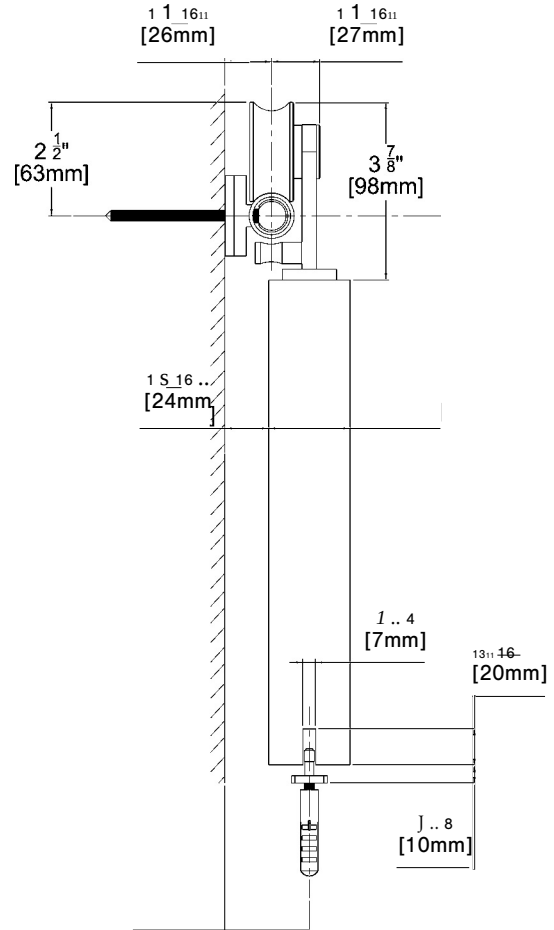
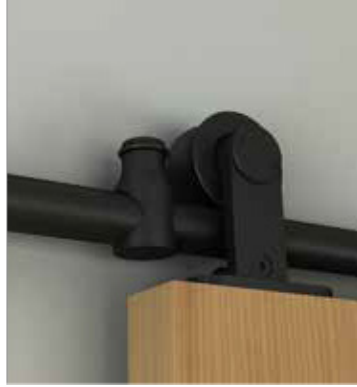
DB (Dark Bronze Anodized Aluminum)

Stocked Product

Item	Length	Finish
CH88 1570HD	83"	CLR, DB
CH88 1570HD	95"	CLR, DB
CH88 2100HD	83"	CLR, DB
CH88 2100HD	95"	CLR, DB

Doormerica

Premium Sliding Barn Door Hardware Set Design - Wood Type 1



Features:

- Designed for Wood Doors 1-3/4" & 1-3/8" thick
Top Mounted Hardware
Door weight up to 176 pounds per door
- Materials:
304 Stainless Steel Track
304 Stainless Steel Hangers with Nylon Coated Rollers
- Product Standards:
Product designed and tested to follow ANSI Grade 1 Standards
- Finishes Available: Brushed Stainless Steel, Dark Bronze

Kits Include:

- 1 ea. Track with Wall Brackets
- 2 ea. Hangers (WD T1 CARRIER SS/DB)
- 2 ea. Track Stops (PREMSTOPO3 SS/DB)
- 1 ea. Door Bottom Guide (PREMFLGUIDE03 SS/BLK) 1 ea. Wall Mount Channel Door Guide (PREMFLGUIDE12 BLK/GRY)
- 1 ea. Installation Instructions

* parts in parenthesis available for purchase if additional are needed

Door Type	Set Type	Size	Finish	Track Length	Door Width
WD	T1	06	SS	78-3/4"	36"
WD	T1	08	SS	98-7/16"	48"
WD	T1	06	DB	78-3/4"	36"
WD	T1	08	DB	98-7/16"	48"

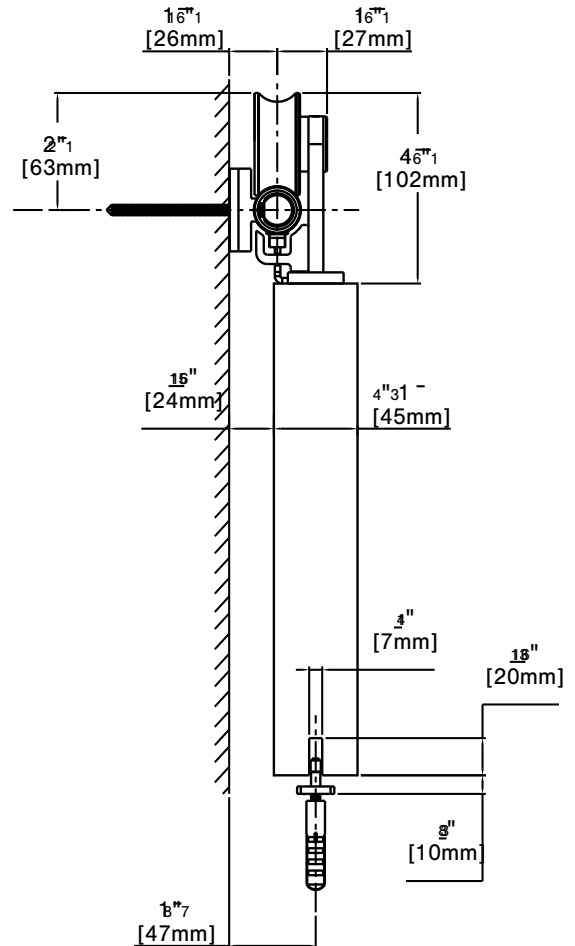
TEN YEAR LIMITED WARRANTY

Stocked Product

Item	Finish
PREMSLIDE WD T1 06	Brushed Stainless Steel
PREMSLIDE WD T1 06	Dark Bronze
PREMSLIDE WD T1 08	Brushed Stainless Steel
PREMSLIDE WD T1 08	Dark Bronze
WD T1 CARRIER SS	Brushed Stainless Steel
WD T1 CARRIER DB	Dark Bronze

Doormerica

Premium Sliding Barn Door Hardware Set Design - Wood Type 1 Soft Close



Features:

- Designed for Wood Doors 1-3/4" & 1-3/8" thick
Top Mounted Hardware
Door weight up to 176 pounds per door
- Materials:
304 Stainless Steel Track
304 Stainless Steel Hangers with Nylon Coated Rollers
- Product Standards: Product designed and tested to follow ANSI Grade 1 Standards
- Finishes Available:
Brushed Stainless Steel

Kits Include:

- 1 ea. Track with Wall Brackets
- 2 ea. Hangers (WD T1 CARRIER SS)
- 2 ea. Track Stops (PREMSTOP03 SS)
- 1 ea. Door Bottom Guide (PREMFLGUIDE03 SS)
1 ea. Wall Mount Channel Door Guide (PREMFLGUIDE12 GRY)
- 1 ea. Installation Instructions

* parts in parenthesis available for purchase if additional are needed

Door Type	Set Type	Size	Finish	Track Length	Door Width
WD	T1SC	06	SS	78-3/4"	36"
WD	T1SC	08	SS	98-7/16"	48"

TEN YEAR LIMITED WARRANTY
Soft Close Mechanism TWO YEAR LIMITED WARRANTY

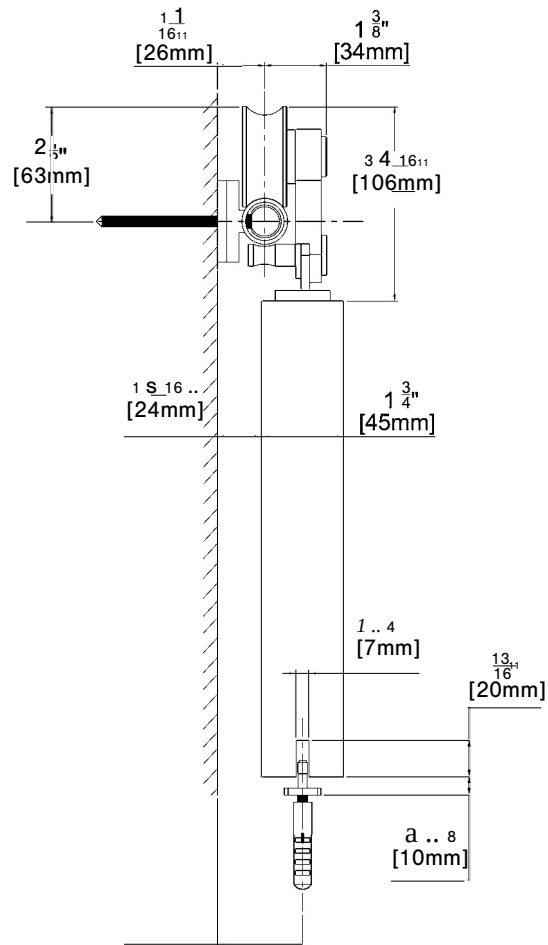
Stocked Product

Item	Finish
PREMSLIDE WD T1SC 06	Brushed Stainless Steel
PREMSLIDE WD T1SC 08	Brushed Stainless Steel
WD T1 CARRIER SS	Brushed Stainless Steel

Doormerica

Premium Sliding Barn Door Hardware

Set Design - Wood Type 2



Features:

- Designed for Wood Doors 1-3/4" & 1-3/8" thick
Top mounted hardware Door weight up to 242 pounds per door
- Materials:
304 Stainless Steel Track
304 Stainless Steel Hangers with Nylon Coated Rollers
- Product Standards: Product designed and tested to follow ANSI Grade 1 Standards
- Finishes Available:
Brushed Stainless Steel

Kits Include:

- 1 ea. Stainless Steel Track with Stainless Steel Wall Brackets
- 2 ea. Stainless Steel Hangers
- 2 ea. Stainless Steel Track Stops (PREMSTOP07 SS)
- 1 ea. Stainless Steel Door Bottom Guide(PREMFLGUIDE03 SS)
- 1 ea. Wall Mount Channel Door Guide (PREMFLGUIDE12 BLK)
- 1 ea. Installation Instructions

* parts in parenthesis available for purchase if additional are needed

Door Type	Set Type	Size	Finish	Track Length	Door Width
WD	T2	06	SS	78-3/4"	36"
WD	T2	08	SS	98-7/16"	48"

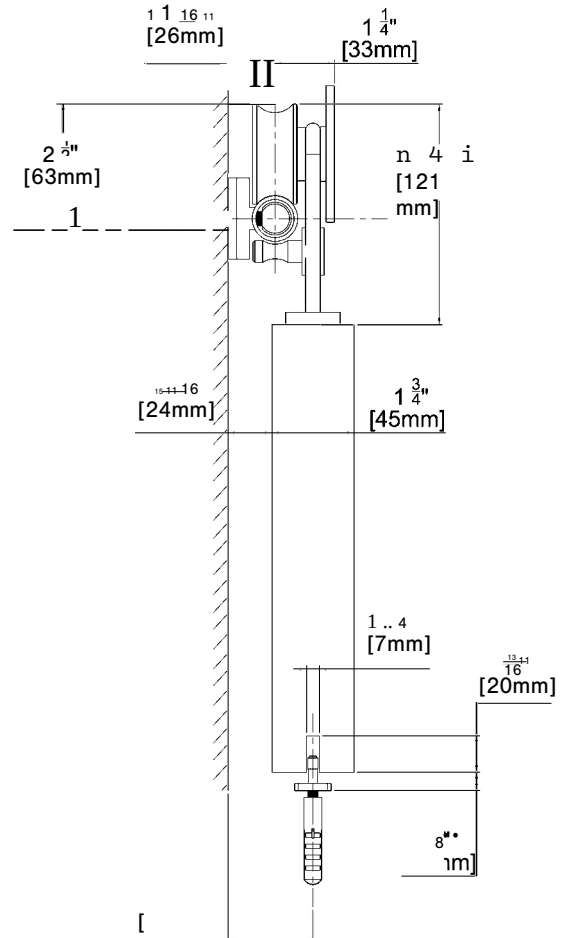
TEN YEAR LIMITED WARRANTY

Stocked Product

Item	Finish
PREMSLIDE WD T2 06	Brushed Stainless Steel
PREMSLIDE WD T2 08	Brushed Stainless Steel

Doormerica

Premium Sliding Barn Door Hardware Set Design - Wood Type 4



Features:

- Designed for Wood Doors 1-3/4" & 1-3/8" thick
Top mounted hardware
Door weight up to 176 pounds per door
- Materials: 304 Stainless Steel Track 304 Stainless Steel Hangers with Nylon Coated Rollers
- Product Standards:
Product designed and tested to follow ANSI Grade 1 Standards
- Finishes Available:
Brushed Stainless Steel

Kits Include:

- 1 ea. Stainless Steel Track with Stainless Steel Wall Brackets
- 2 ea. Stainless Steel Hangers
- 2 ea. Stainless Steel Track Stops (PREMSTOP24 SS)
- 1 ea. Stainless Steel Door Bottom Guide (PREMFLGUIDE03 SS)
- 1 ea. Wall Mount Channel Door Guide (PREMFLGUIDE12 BLK)
- 1 ea. Installation Instructions
- * parts in parenthesis available for purchase if additional are needed

Door Type	Set Type	Size	Finish	Track Length	Door Width
WD	T4	06	SS	78-3/4"	36"
WD	T4	08	SS	98-7/16"	48"

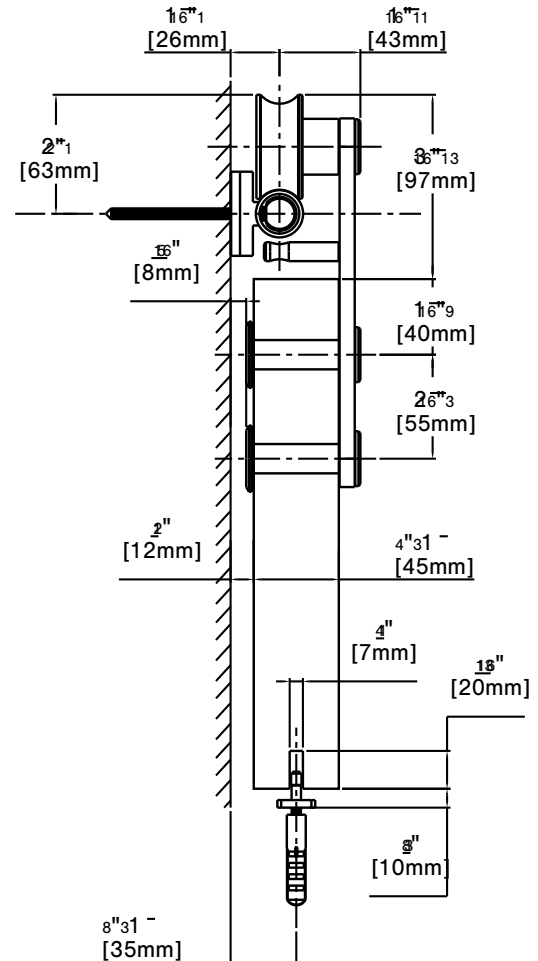
TEN YEAR LIMITED WARRANTY

Stocked Product

Item	Finish
PREMSLIDE WD T4 06	Brushed Stainless Steel
PREMSLIDE WD T4 08	Brushed Stainless Steel

Doormerica

Premium Sliding Barn Door Hardware Set Design - Wood Type 5



Features:

- Designed for Wood Doors 1-3/4" & 1-3/8" thick
Top Mounted Hardware Door weight up to 198 pounds per door
- Materials:
304 Stainless Steel Track
304 Stainless Steel Hangers with Nylon Coated Rollers
- Product Standards: Product designed and tested to follow ANSI Grade 1 Standards
- Finishes Available:
Brushed Stainless Steel
Dark Bronze

Kits Include:

- 1 ea. Stainless Steel Track with Stainless Steel Wall Brackets
- 2 ea. Stainless Steel Hangers (WDT5CARRIER SS/DB)
- 2 ea. Stainless Steel Track Stops (PREMSTOPO3 SS/DB)
- 1 ea. Stainless Steel Door Bottom Guide (PREMFLGUIDE03 SS/BLK)
- 1 ea. Wall Mount Channel Door Guide (PREMFLGUIDE12 BLK/GRY)
- 1 ea. Installation Instructions

* parts in parenthesis available for purchase if additional are needed

Door Type	Set Type	Size	Finish	Track Length	Door Width
WD	T5	06	SS	78-3/4"	36"
WD	T5	08	SS	98-7/16"	48"
WD	T5	06	DB	78-3/4"	36"
WD	T5	08	DB	98-7/16"	48"

TEN YEAR LIMITED WARRANTY

Stocked Product

Item	Finish
PREMSLIDE WD T5 06	Brushed Stainless Steel
PREMSLIDE WD T5 06	Dark Bronze
PREMSLIDE WD T5 08	Brushed Stainless Steel
PREMSLIDE WD T5 08	Dark Bronze
WD T5 CARRIER SS	Brushed Stainless Steel
WD T5 CARRIER DB	Dark Bronze

Doormerica

Premium Sliding Barn Door Hardware - Accessories



PREMCONNECTOR SS/DB
Premium Track Connector



PREMENDCAPS SS/DB
Premium End Cap



PREMCLAMPFIX08 SS/DB
Premium Clamp Fixture



PREMSTOP03 SS/DB
Premium Track Stop



PREMSTOP07 SS/DB
Premium Track Stop



PREMSTOP24 SS/DB
Premium Track Stop



PREMSPACERBRKT SS/BLK
Premium Spacer Bracket
adds 1/4" clearance



BRNDRLATCH722092
SS/BLK Barn Door Latch

Stocked Product

Item	Finish
PREMCONNECTOR SS	Brushed Stainless Steel
PREMCONNECTOR DB	Dark Bronze
PREMENDCAPS SS	Brushed Stainless Steel
PREMENDCAPS DB	Dark Bronze
PREMCLAMPFIX08 SS	Brushed Stainless Steel
PREMCLAMPFIX08 DB	Dark Bronze
PREMSTOP03 SS	Brushed Stainless Steel
PREMSTOP03 DB	Dark Bronze
PREMSTOP07 SS	Brushed Stainless Steel
PREMSTOP07 DB	Dark Bronze
PREMSTOP24 SS	Brushed Stainless Steel
PREMSTOP24 DB	Dark Bronze
BRNDRLATCH722092 SS	Brushed Stainless Steel
BRNDRLATCH722126 BLK	Black
PREMSPACERBRKT SS	Brushed Stainless Steel
PREMSPACERBRKT BLK	Black

Doormerica

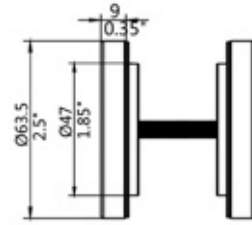
Premium Sliding Barn Door Hardware - Pulls



71 13 92 WDSS



71 13 92 WDBLK



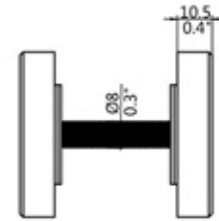
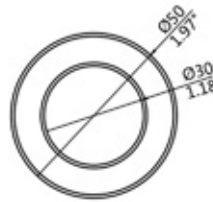
1-3/8" - 1-3/4"
(35 - 45mm)



71 14 92 WDSS



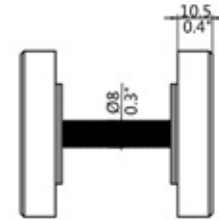
71 14 92 WDBLK



1-3/8" - 1-3/4"
(35 - 45mm)



71 14 92 WDAL



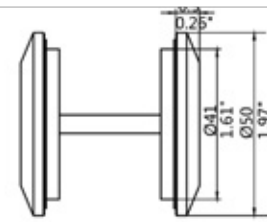
1-3/8" - 1-3/4"
(35 - 45mm)



71 16 92 WDSS



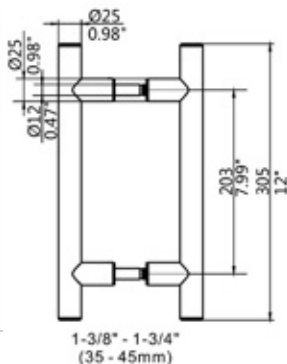
71 16 92 WDBLK



1-3/8" - 1-3/4"
(35 - 45mm)



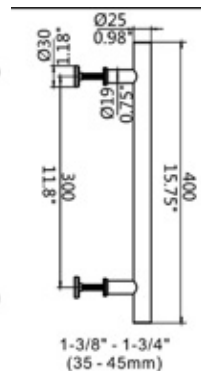
70 04 91 WD



1-3/8" - 1-3/4"
(35 - 45mm)



70 84 92 WD



1-3/8" - 1-3/4"
(35 - 45mm)

Stocked Product

Item	Finish
71 13 92 WD SS	Stainless Steel
71 13 92 WD BLK	Black
71 14 92 WD SS	Stainless Steel
71 14 92 WD BLK	Black
71 14 92 WD AL	Aluminum
71 16 92 WD SS	Stainless Steel
71 16 92 WD BLK	Black
70 04 91 WD SS	Stainless Steel
70 04 91 WD BLK	Black
70 84 92 WD SS	Stainless Steel
70 84 92 WD BLK	Black

Doormerica

Rustic Sliding Barn Door Hardware - Pulls



71 HD 03 BLK
9-9/16"H x 1-3/16"W



71 HD 05 BLK/SN
6-7/16"H x 1"W



71 HD 06 BLK
6-1/2"H x 2-1/16"W



71 HD 11 BLK 12-10/16"H x
2-3/8"W x 5/8"D



71 HD 14 BLK
13-3/4"H x 1-15/16"W
x 9/16"D



71 HD 16 BLK/SS
Pull Handle
7-3/32" CTC
11-13/16"H x 1-9/16"W" x 1"D
Finger Pull
8-21/32"H x 2-23/64"W



71 HD 17 BLK
11"H

Stocked Product

Item	Finish
71 HD 03 W BLK	Flat Black
71 HD 05 W BLK	Flat Black
71 HD 05 W SN	Satin Nickel
71 HD 06 W BLK	Flat Black
71 HD 11 W BLK	Flat Black
71 HD 14 W BLK	Flat Black
71 HD 16 W BLK	Flat Black
71 HD 16 W SS	Stainless Steel
71 HD 17 W BLK	Flat Black

Doormerica

American Rustic Sliding Barn Door Hardware

Mini Industrial

Barn Door Hardware with a true rustic look and design.

Features:

- Kit Designed for use with 1-3/4" & 1-3/8" thick wood doors Door weight up to 286 pounds per door
- Color/Finish: Flat Black or Satin Nickel
- Wheel Type: Nylon
- Track & Hardware Kit is for 1 door
- Hangers mount to the face of the door
- Product Standards: Product designed and tested to follow ANSI Grade 1 Standards

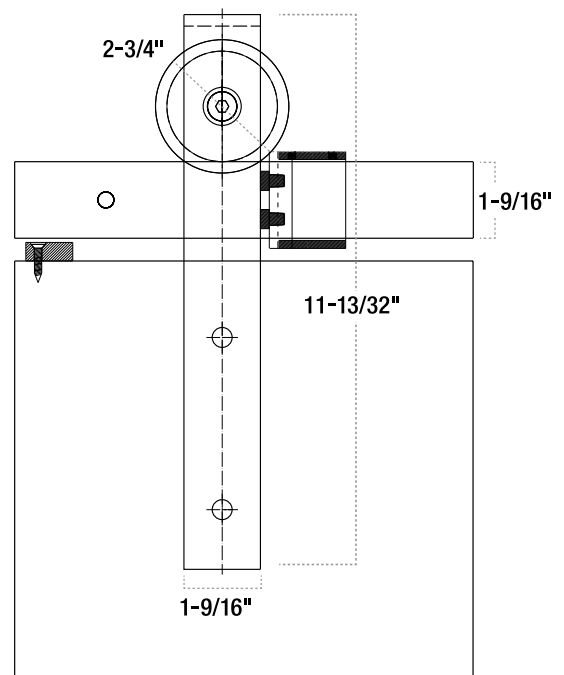


Mini Industrial

36" Doors – Use 80" Track Kit
 48" Doors – Use 104" Track Kit
 Pair Doors – Use two kits along with track coupler

Kits Include:

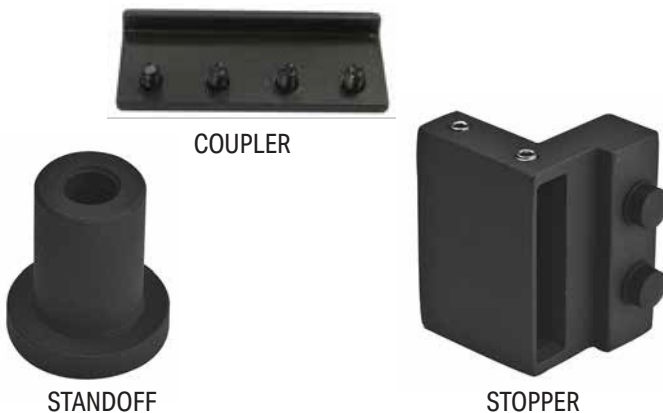
- 1 ea. Track pre-drilled for Mounting Hardware
- 2 ea. Hangers (MININDCARRIER BLK/SN)
- 2 ea. Stops (MSTOPPER BLK/SN)
- 2 ea. Anti-Jump Discs (MANTIJUMPDISC BLK/GRY)
- 1 ea. Floor Mounted Internal Guide (PREMFLGUIDE02 BLK/GRY)
- 1 ea. Wall Mount Channel Door Guide (PREMFLGUIDE12 BLK/GRY)
- 1 ea. Coupler (MINKITCOUPLER BLK/SN)
- Installation Instructions



Note: If installing into drywall, track will require proper reinforcement inside the wall or on the surface of the wall.

TWO YEAR LIMITED WARRANTY

ONE YEAR LIMITED WARRANTY ON FINISH



COUPLER

STANDOFF

STOPPER

Stocked Product

Item	Length	Finish
MININDKIT	80"	Black
MININDKIT	104"	Black
MININDKIT	80"	Satin Nickel
MININDKIT	104"	Satin Nickel
MINKITCOUPLER		Black / Satin Nickel
MSTANDOFF		Black / Satin Nickel
MSTOPPER		Black / Satin Nickel
MININDCARRIER		Black / Silver

Doormerica

American Rustic Sliding Barn Door Hardware

Mini Modern

Barn Door Hardware with a true rustic look and design.

Features:

- Kit Designed for use with 1-3/4" & 1-3/8" thick wood doors
- Door weight up to 286 pounds per door
- Color/Finish: Silver
- Wheel Type: Nylon
- Track & Hardware Kit is for 1 door



Mini Modern

36" Doors – Use 80" Track Kit

48" Doors – Use 104" Track Kit

Pair Doors – Use two kits along with track coupler

Kits Include:

- 2 ea. Hangers (MINMODCARRIER SLVR)
- 2 ea. Stops (MSTOPPER SLVR)
- 2 ea. Anti-Jump Discs (MANTIJUMPDISC GRY)
- 1 ea. Coupler (MINKITCOUPLER SLVR)
- 1 ea. Floor Mounted Internal Guide (PREMFLGUIDE02 BLK)
- 1 ea. Wall Mount Channel Door Guide (PREMFLGUIDE12 BLK)

Note: If installing into drywall, track will require proper reinforcement inside the wall or on the surface of the wall.



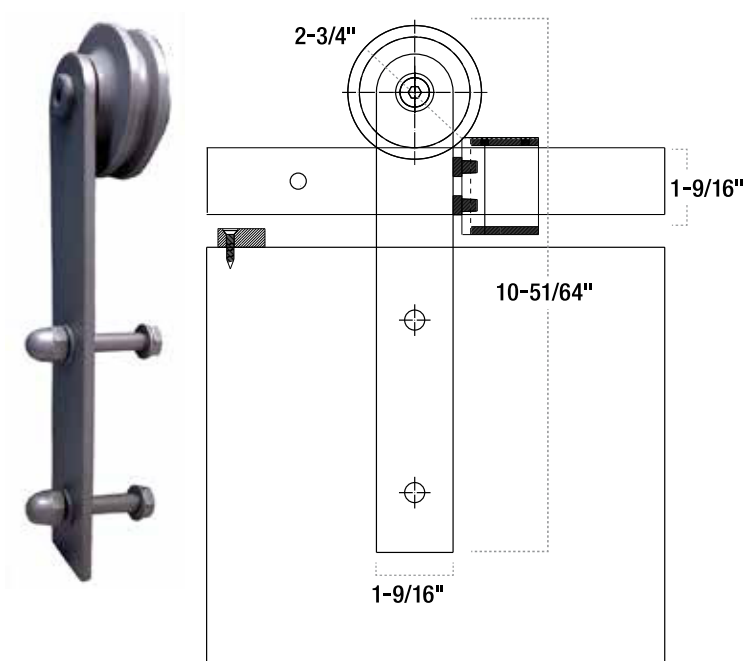
COUPLER



STANDOFF



STOPPER



TWO YEAR LIMITED WARRANTY

Stocked Product

Item	Length	Finish
MINMODKIT	80"	Silver
MINMODKIT	104"	Silver
MINKITCOUPLER		Silver
MSTANDOFF		Silver
MSTOPPER		Silver
MINMODCARRIER SLVR		Silver

Doormerica American Rustic Sliding Barn Door Hardware Mini Ultra Modern

Barn Door Hardware with a true rustic look and design.

Features:

- Kit Designed for use with 1-3/4" & 1-3/8" thick wood doors
- Door weight up to 286 pounds per door
- Color/Finish: Flat Black
- Wheel Type: Nylon
- Track & Hardware Kit is for 1 door

36" Doors – Use 80" Track Kit
48" Doors – Use 104" Track Kit
Pair Doors – Use two kits along with track coupler

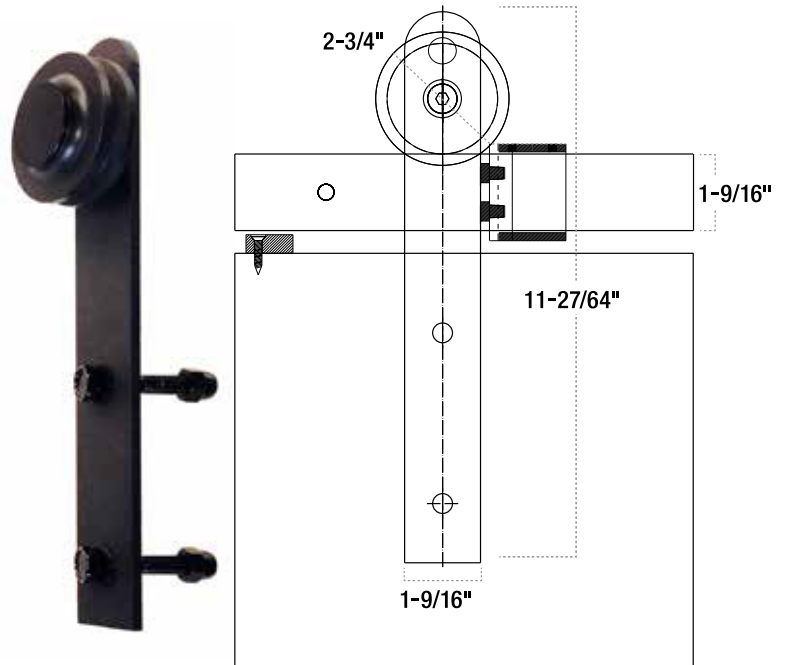
Kits Include:

- 2 ea. Hangers (MINULTCARRIER BLK)
- 2 ea. Stops (MSTOPPER BLK)
- 2 ea. Anti-Jump Discs (MANTIJUMPDISC BLK)
- 1 ea. Coupler (MINKITCOUPLER BLK)
- 1 ea. Floor Mounted Internal Guide (PREMFLGUIDE02 BLK)
- 1 ea. Wall Mount Channel Door Guide (PREMFLGUIDE12 BLK)

Note: If installing into drywall, track will require proper reinforcement inside the wall or on the surface of the wall.



Mini Ultra Modern



COUPLER



STANDOFF



STOPPER

TWO YEAR LIMITED WARRANTY

Stocked Product

Item	Length	Finish
MINULTMODKIT	80"	Black
MINULTMODKIT	104"	Black
MINKITCOUPLER		Black
MSTANDOFF		Black
MSTOPPER		Black
MINULTCARRIER BLK		Black

Doormerica

Sliding Barn Door Floor Guides



PREMFLGUIDE02 BLK/GRY
POM Material, Floor Mounted Internal Guide



PREMFLGUIDE03 BLK/SS
Black or Stainless Steel Floor Mounted Guide



PREMFLGUIDE04 DB/SS
Dark Bronze or Stainless Steel Floor Mounted Internal Guide



PREMFLGUIDE07
POM Material, U Shaped Floor Mounted Guide



PREMFLGUIDE09 - 1-3/8" Only Steel
Wall Mounted Channel Guide



PREMFLGUIDE12 BLK/GRY Black or Gray POM
Material, Wall Mount Floor Guide



PREMFLGUIDE17 DB/SS Dark Bronze or Stainless
Steel Bracket/POM Guide, Wall Mounted Internal
Guide



PREMFLGUIDE18 DB/SS
Dark Bronze or Stainless Steel Wall Mounted Internal Guide

Stocked Product

Item	Finish
PREMFLGUIDE02	Black
PREMFLGUIDE02	Gray
PREMFLGUIDE03	Stainless Steel
PREMFLGUIDE03	Black
PREMFLGUIDE04	Dark Bronze
PREMFLGUIDE04	Stainless Steel
PREMFLGUIDE07	Black
PREMFLGUIDE09	Dark Bronze
PREMFLGUIDE12	Black
PREMFLGUIDE12	Gray
PREMFLGUIDE17	Dark Bronze
PREMFLGUIDE17	Stainless Steel
PREMFLGUIDE18	Dark Bronze
PREMFLGUIDE18	Stainless Steel

Doormerica

Mini/Rustic Sliding Barn Door Hardware - *Accessories*



MINSOFTCLOSE BLK/GRY
Field Installable Soft-Close Mechanism
 (sold as pair)



MANTIJUMPDISC BLK/GRY
Anti Jump Disc



MINISPACERADJBRKT BLK /SLVR
Spacer Bracket
 (for mini series)
 adjusts from 1-3/4"-2-1/2"

Stocked Product

Item	Finish
MINSOFTCLOSE	Black
MINSOFTCLOSE	Gray
MANTIJUMPDISC	Black
MANTIJUMPDISC	Gray
MINISPACERADJBRKT SLVR	Silver
MINISPACERADJBRKT BLK	Black

Doormerica

DesignGlide Matte Black Soft-Close Barn Door Sliding Door Hardware Kit - by

DesignGlide Soft-Close Barn Door Hardware can turn any standard-sized door into a barn door. No reframing or custom doors required. Create the doorway of your dreams with this easy to use patent-pending system. Our unique hardware is much more than functional, it adds a distinct touch to your barn door. And its versatile, whether you opt for modern or traditional, our hardware is the perfect accent.

Features:

- Install in 4 easy steps
- 72 in. track fits 36 in. x 80 in. x 1-3/8 in. doors up to 120 lbs.
- 84 in. track fits 42 in. x 80 in. x 1-3/8 in. doors up to 120 lbs.
- Soft-close technology also keeps the door from slamming shut
- Special doors or reframing not required
- Versatile hardware works with any style door
- Door slab not included
- 5-year limited warranty

Kit includes:

- Track 72" track fits 36" x 80" x 1-3/8" doors up to 120 pounds 84" track fits 42" x 80" x 1-3/8" doors up to 120 pounds
- Top-Mounted Rolling Hardware
- Accent Rails
- Larger Finger Pull (1-1/4 In.)
- All Fastening Hardware
- Accent Hardware (Pull)
- Backerboard
- Floor Stop



Stocked Product

Item	Length	Finish
DESIGNGLIDEHDWUS1972	72"	Matte Black
DESIGNGLIDEHDWUS1984	84"	Matte Black

Doormerica

DesignGlide Satin Nickel Soft-Close Barn Door

Sliding Door Hardware Kit - by

DesignGlide Soft-Close Barn Door Hardware can turn any standard-sized door into a barn door. No reframing or custom doors required. Create the doorway of your dreams with this easy to use patent-pending system. Our unique hardware is much more than functional, it adds a distinct touch to your barn door. And its versatile, whether you opt for modern or traditional, our hardware is the perfect accent.

Features:

- Install in 4 easy steps
- 72 in. track fits 36 in. x 80 in. x 1-3/8 in. doors up to 120 lbs.
- 84 in. track fits 42 in. x 80 in. x 1-3/8 in. doors up to 120 lbs.
- Soft-close technology also keeps the door from slamming shut
- Special doors or reframing not required
- Versatile hardware works with any style door
- Door slab not included
- 5-year limited warranty

Kit includes:

- Track 72" track fits 36" x 80" x 1-3/8" doors up to 120 pounds 84" track fits 42" x 80" x 1-3/8" doors up to 120 pounds
- Top-Mounted Rolling Hardware
- Accent Rails
- Larger Finger Pull (1-1/4 In.)
- All Fastening Hardware
- Accent Hardware (Pull)
- Backerboard
- Floor Stop



Stocked Product

Item	Length	Finish
DESIGNGLIDEHDWUS1572	72"	Satin Nickel
DESIGNGLIDEHDWUS1584	84"	Satin Nickel

Doormerica

Pushes and Pulls



PPN4016R PPN4016R8 PPN4016R10 PPN4016

Features:

- All Plate Goods are 16 Gauge (.050) Thick.
- Stainless Steel SS430, no Nickel.
- Plates individually wrapped with Mounting Screws.
- Pull Plates and Handles have Mounting Screws for 1-3/4" Thick Door.
- All Plates Packed with Stainless Steel Sheet Metal Screws Plated to Match Finish.

Options:

- PPN4016 4" x 16", Push Plate.
- PPN4016R 4" x 16" Plate with Round Pulls.
- Round Pull, 6", 8" and 10" C to C 4016 push plate and 4016R pull plates stocked in SS430 Stainless (less nickel) Size 4"x 16" only. Specify PPN.
- Available in 32D and Dark Bronze

Specifications:

Plate Goods -Plate goods shall be by Doormerica model number PPN and made from Stainless Steel. All plates to be a minimum of 16 gauge (.050) and beveled on four sides. All Plates to be provided with Stainless Steel Phillips sheet metal screws plated to match finish. Each plate shall be individually wrapped with mounting screws.

Stocked Product

Item	Pull	CTC	Size	Finish
PPN4016R	3/4" dia.	6"	4"x16	32D, Dark Bronze
PPN4016R8	3/4" dia.	8"	4"x16	32D, Dark Bronze
PPN4016R10	1" dia.	10"	4"x16	32D, Dark Bronze
PPN4016	Push		4"x16	32D, Dark Bronze



KPN1034 - 10" x 34" Kick Plate

Features:

- All Plate Goods are 16 Gauge (.050) Thick.
- Stainless Steel SS430, no Nickel.
- Plates individually wrapped with Mounting Screws.
- All Plates Packed with Stainless Steel Sheet Metal Screws Plated to Match Finish.
- Kickplates are not beveled.

Options:

- KPN0834 - 8" x 34" Kick Plate.
- KPN1034 - 10" x 34" Kick Plate.
- KPN1234 - 12" x 34" Kick Plate.
- Available in 32D and Dark Bronze

Specifications:

Plate Goods -Plate goods shall be by Doormerica model number KPN made from plate brass or Stainless Steel. All plates to be a minimum of 16 gauge (.050), All Plates to be provided with Stainless Steel Phillips sheet metal screws plated to match finish. Each plate shall be individually wrapped with mounting screws

Stocked Product

Item	Finish
KPN0834	32D, Dark Bronze
KPN1034	32D, Dark Bronze
KPN1234	32D, Dark Bronze

"No Nickel" SS430 Stainless Steel Only

Doormerica

Door Guards

DDL - Privacy Latch

Features:

- Easy to operate
- ADA Compliant
- Meets NFPA 80 5.2.13.3



Options:

- DGDEP128 - Door Angle Protector
- DGS128 - Door Guard Shim



DG128BR

Features:

- Solid forged brass.
- Positive projection lock ball not allowing forced entry.
- Swing bar folds out of place when not used.
- Maximum 4" door opening when engaged.
- Cannot be disengaged unless door is fully closed.

Stocked Product

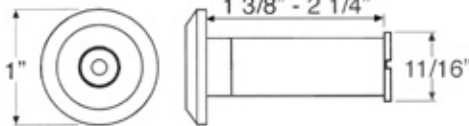
Item	Finish
DDL	10B,US15,26D
DG128BR	US3,10B,15,26,26D
DGDEP128	10B,15,26,26D
DGS128	Black

Viewers



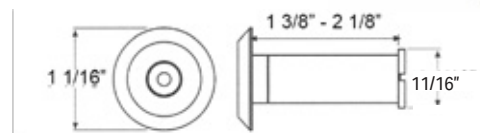
DV190

Door Viewer
9/16" Bore Diameter



DV3315 & DV4315 (w/ Privacy Cover)

UL Listed Door Viewer
9/16" Bore Diameter



Features:

- DV190 - 190 Degrees Viewing Area.
 - Polished Plastic Lenses.
- DV3315
 - Degrees Viewing Area.
- Polished Plastic Lenses. DV4315 - 200 Degrees Viewing Area.
 - Polished Plastic Lenses Privacy Cover.
- All Viewers Solid Cast Brass.

Stocked Product

Item	Finish
DV190	US3,10B,15,26,26D
DV3315	US3,10B,15,26,26D
DV4315	26D, 10B, US15

Doormerica

Door Holders

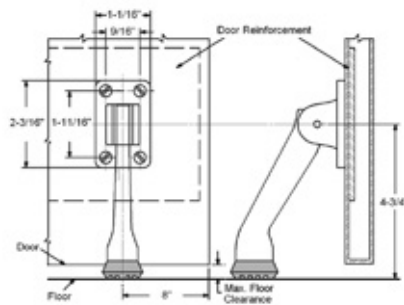


SH1235

Drop Down Door Holder

Features:

- SH1235BR - 5" Cast Brass Holder.
- Stops individually wrapped with mounting screws.
- Polybagged with 3 or 4 sheet metal screws.



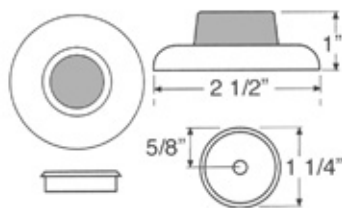
Stocked Product

Item	Finish
SH1235BR	US3, 10B, 26D

Wall Stops

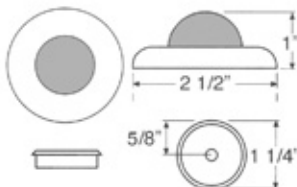
SH401

Concave Wall Stop



SH406

Convex Wall Stop



Features:

- SH401 - Concave Wall Stop.
- SH406 - Convex Wall Stop.
- All Wall Stops Are Wrought Steel.
- Stops Individually Wrapped With Mounting Screws.
- Polybagged With:
 - 1 Plastic Anchor
 - 2 Sheet Metal Screw

Stocked Product

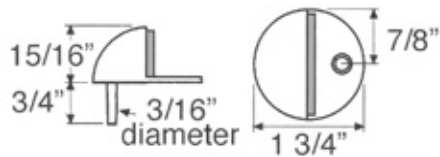
Item	Finish
SH401	US3, 10B, 15, 26, 26D
SH406	10B, 15, 26D

Doormerica

Floor Stops

SH436

Low Dome Stop



SH438

High Dome Stop



Features:

- SH436 - 1/4" Rise x 1" Low Dome Stop.
- SH438 - 1/2" Rise x 1-1/4" High Dome Stop.
- All Floor Stops are Cast Brass
- Stops Individually wrapped with Mounting Screws.
- Polybagged with: 1 Plastic Anchor
 - 1 Sheet Metal Screw
 - 2 Lead Anchor

Stocked Product

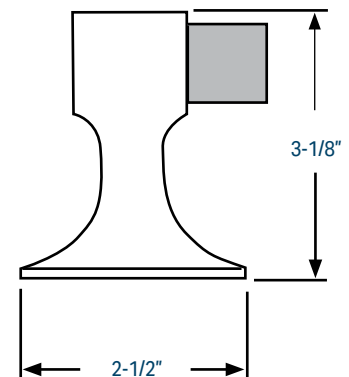
Item	Finish
SH436	US3, 10B, 15, 26, 26D
SH438	US3, 10B, 15, 26, 26D

Features:

- SH444 - 3-1/8" High Floor Stop.
- Solid Cast Brass.
- Stops Individually wrapped with Mounting Screws.
- Polybagged with: 1 Plastic Anchor
 - 1 Sheet Metal Screw
 - 2 Lead Anchor

SH444

Floor Mount Stop



Specifications:

Stops-Stops shall be by Doormerica model number SH444 and made from solid cast brass. All stops to be provided with steel Phillips sheet metal screws plated to match finish. Each Stop shall be individually wrapped with mounting screws.

Stocked Product

Item	Finish
SH444	US3, 10B, 26, 26D

Doormerica

RL300 / RL320 - Roller Latches

Features:

- Actuation is simple, closing of the door causes the roller to fall in the depression of the strike, thereby holding the door closed.
- The projection of the roller is easily adjusted using adjusting screws on the face of the unit..
- Maximum projection of the roller is 3/8" allowing for variance in the door clearance.
- Nylon Roller Standard.
- Forged Brass Construction.
- Meets ANSI/BHMA A156.16, E19091.
- Finishes US10B, US26D other finishes available special order only

Dimensions:

Body: 1" Wide x 3-3/8" Long x 1-5/8" Deep

Strike: 1-11/16" Wide x 2-3/16" Long x 5/32" Thick



RL300

Stocked Product

Item	Finish
RL300	10B, 26D

Features:

- Actuation is simple, closing of the door causes the roller to fall in the depression of the strike, thereby holding the door closed.
- The projection of the roller is easily adjusted by turning knurled knob on back of latch.
- Maximum projection of the roller is 1/2" allowing for variance in the door clearance.
- Fits heavy-duty cylindrical lock cutout.
- Nylon Roller Standard.
- Non-handed.
- Brass or Stainless Steel Construction.
- Meets ANSI/BHMA A156.16, E19101.
- Finishes US10B, US26D other finishes available special order only

Dimensions:

Body: 1-1/8" Wide x 2-1/4" Long x 1-3/4" Deep

Strike: 1-1/8" Wide x 2-3/4" Long x 1/16" Thick



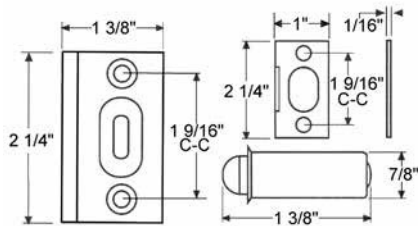
RL320

Stocked Product

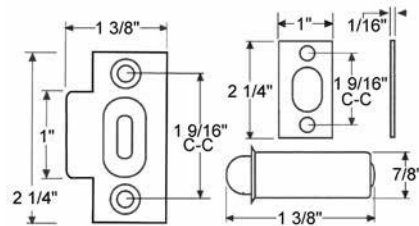
Item	Finish
RL320	26D

Doormerica

BC2950 / BC2955 - Ball Catches



BC2950 - Ball Catch



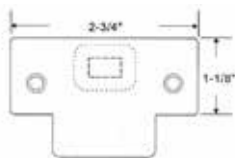
BC2955 - Roller Catch

Features:

- BC2950 - Ball Catch.
- BC2955 - Roller Catch.
- Dual Adjustment for Door Clearance and Holding Strength.
- Lip Strike Designed for Jamb Mounting.
- Ball Catch Individually wrapped with Mounting Screws.

Option:

- BC2955T - with 2-3/4" x 1-1/8" T Strike
Packed with #8 x 32 metal screws



Specifications:

Ball Catches – Ball catches shall be by Doormerica model number BC2950 and BC2955 are all ball catches provided with high tension steel compression springs to provide solid engagement with strike. All ball catches provided with Phillips sheet metal screws, plated to match finish for proper ball and strike mounting. Each ball catch shall be individually wrapped.

1 YEAR LIMITED WARRANTY

Stocked Product

Item	Finish
BC2950	US3, 10B, 15
BC2955	US3, 10B, 15
BC2955T	US3, 10B, 15

Doormerica

Signs



HS1M



HS2W



HS3R

Stocked Product

Item	Description	Size
HS1M	Men's Restroom No Braille	12" x 12" x 12"
HS2W	Women's Restroom No Braille	12" Diameter
HS3R	Unisex Restroom No Braille	12" Diameter

ADA Signs



HS69M



HS69W



HS69R



HS10E

Stocked Product

Item	Description	Size
HS69M	ADA Men's With Braille	8" x 8"
HS69W	ADA Women's With Braille	8" x 8"
HS69R	ADA Unisex With Braille	8" x 8"
HS10E	ADA Exit With Braille	6" x 6"

Doormerica

LIMITED LIFETIME WARRANTY

Locks include: ASIL, ML, LHV and LSV series, Closers include: DC40, DC70, DC851 series, Exit Devices include: ED701 series, Hinges include: All commercial grade. EXCEPTIONS for all categories: Electrified products.

Subject to the limitations of liability set forth below, American Building Supply Inc. warrants to purchasers that the mechanical door hardware products which the company sells under the Doormerica Hardware name are free from mechanical defects in workmanship and materials under normal use and regular service and maintenance for a period of the useful life of the building in which originally installed. Warranty on finish is 3-years with the EXCEPTION of 10B/613 Finish.

THIS IS THE SOLE AND EXCLUSIVE WARRANTY GIVEN BY THE COMPANY WITH RESPECT TO THE PRODUCTS AND IS IN LIEU OF ANY AND ALL OTHER WARRANTIES, EXPRESS OR IMPLIED, ARISING BY OPERATION OF LAW, ORDINANCE OR OTHERWISE, ALL IMPLIED WARRANTIES, INCLUDING BUT NOT LIMITED TO THE WARRANTIES OF MERCHANTABILITY, NONINFRINGEMENT, AND FITNESS FOR A PARTICULAR PURPOSE, ARE HEREBY EXCLUDED.

This warranty does not cover defects or damage arising from improper installation, incorrect application, any product installed in a hostile environment causing premature corrosion or wear and tear, lack of or improper maintenance, improper storage, shipping and handling, ordinary wear and tear, misuse, abuse, accident, unauthorized service, or use with unauthorized products or parts or an act of God.

The sole and exclusive liability of American Building Supply Inc. under this warranty or otherwise, shall be limited to the repair or replacement of any product or component part which shall prove defective to the original purchaser from the company. The company will not pay for the costs or repair performed other than in accordance with this warranty. THE COMPANY SHALL NOT BE LIABLE FOR DAMAGES CAUSED BY DELAY IN PERFORMANCE AND IN NO EVENT, REGARDLESS OF THE FORM OF THE CLAIM OR CAUSE OF ACTION (WHETHER BASED ON CONTRACT, INFRINGEMENT, NEGLIGENCE, STRICT LIABILITY, OTHER TORT OR OTHERWISE), SHALL THE COMPANY'S LIABILITY TO PURCHASER AND/OR ITS CUSTOMERS EXCEED THE PRICE PAID BY PURCHASER FOR THE SPECIFIC PRODUCTS PROVIDED BY THE COMPANY GIVING RISE TO THE CLAIM OR CAUSE OF ACTION. PURCHASER AGREES THAT IN NO EVENT SHALL THE COMPANY'S LIABILITY TO PURCHASER AND/OR ITS CUSTOMERS EXTEND TO INCLUDE INCIDENTAL, CONSEQUENTIAL OR PUNITIVE DAMAGES RESULTING FROM USE OF THESE PRODUCTS, OR ARISING OUT OF ANY BREACH OF THIS WARRANTY. The term "consequential damages" shall include, but not be limited to, loss of anticipated profits, business interruption, loss of use or revenue, cost of capital or loss or damage to property or equipment. The foregoing limitations and exclusions are intended to be effective to the maximum extent permitted by law. This warranty is governed by the law of the State of California without regard to its conflicts of law principles. The company and purchaser agree that the United Nations Convention on Contracts for the International Sale of Goods and the United Nations Convention on the Limitation Period in the International Sale of Goods shall not apply to sales of the products covered by this warranty.

Written notice of a product believed to be defective as covered by this warranty should be sent to American Building Supply Inc. Attention DOORMERICA HARDWARE WARRANTY 6300 South Watt Ave. Sacramento, CA 95828 USA, within 30 days from the discovery of the alleged defects, and should include the purchaser's name and address, identification of the product, and brief description of the defect. Upon receipt of such notice, the company will inform the purchaser where to ship such product, shipping charges prepaid, for examination. In the event such examination reveals a defect covered by this warranty, the Company will, at its own option, repair or replace the product, and return it or the replacement to the purchaser, with charge only for transportation.