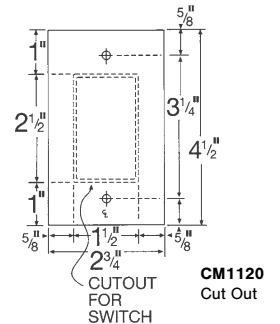
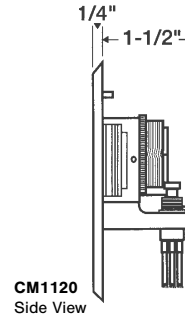
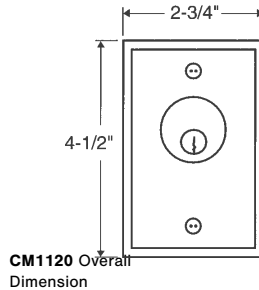


Camden - Key Switches

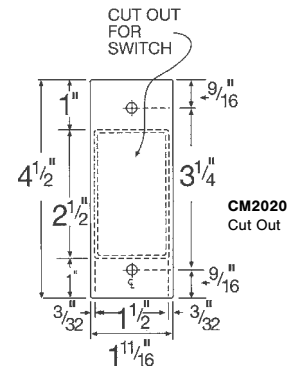
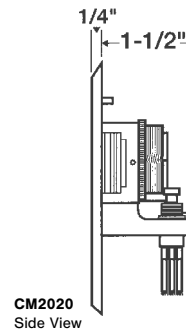
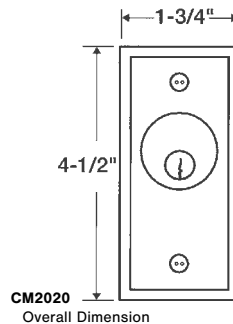
CM1120 - Flush Mount Key Switch 1 SPDT Momentary

CM1130 - Flush Mount Key Switch 1 SPDT Maintained



CM2020 - Narrow Style Key Switch 1 SPDT Momentary

CM2030 - Narrow Style Key Switch 1 SPDT Maintained



Keyswitches are supplied with aluminum face plate, cylinder locking ring, 2 socket / slotted screws, 2 tamper proof screws.

Features:

Key switches are supplied with aluminum face plate, cylinder locking ring, 2 socket / slotted screws, 2 tamper proof screws.

CM2020 supplied with rubber gasket. Designed to use 1", 1-1/8", or 1-1/4" mortise cylinders.
MORTISE CYLINDER NOT SUPPLIED

Stocked Product

- CM1120 - SPDT Momentary, Aluminum Finish
- CM2020 - Narrow SPDT Momentary, Aluminum Finish
- CM1130 - SPDT Maintained, Aluminum Finish
- CM2030 - Narrow SPDT Maintained, Aluminum Finish

Camden

CM30 - Series Illuminated Key Switches

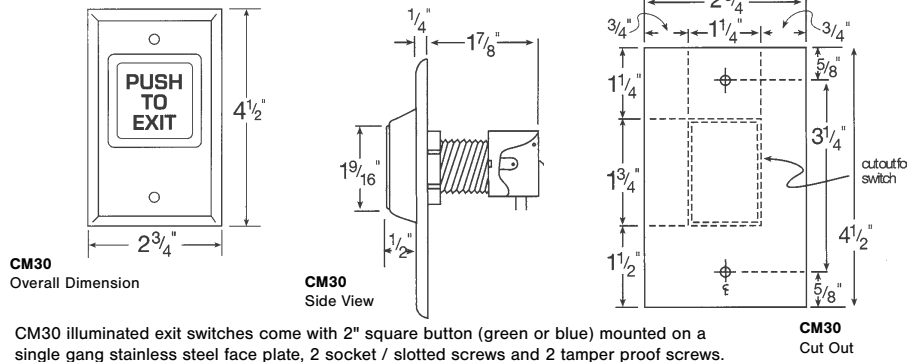
Features:

- SPDT Momentary
- EE option with 30 Second Integrated Timer

CM30 illuminated exit switches come with 2" square button (green or blue) mounted on a single gang stainless steel face plate, 2 socket / slotted screws and 2 tamper proof screws.



Stocked Product
CM30E - Green "Push To Exit"



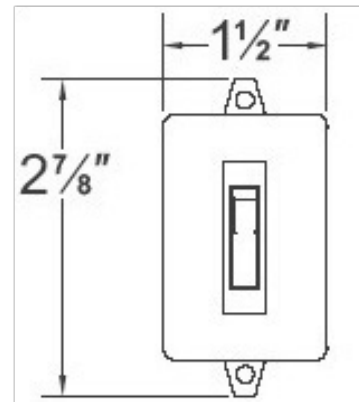
CM30 illuminated exit switches come with 2" square button (green or blue) mounted on a single gang stainless steel face plate, 2 socket / slotted screws and 2 tamper proof screws.

CM830 - Remote Door Release Switch

Features:

- SPDT momentary version
- 20A @ 125/250 VAC
- Surface mounted
- Ideal for desk mounting in reception area

Stocked Product
CM830 - Rocker Switch, Black



Camden

All Active Switches

CM40 - 4 -1/2" Round
 CM41 - 4-1/2" Round with Square back plate
 CM45 - 4-1/2" Square
 CM60 - 6" Round

Stocked Product

CM40-4 - 4-1/2" Round Handicap / Push to Open

CM41-4 - 4-1/2" Round Handicap with Square Back Plate / Push to Open

CM45-4 - 4-1/2" Square Handicap / Push to Open

CM60-2 - 6" Round Handicap

CM60-3 - 6" Round Handicap / Push to Open, Black



CM40



CM41



CM45



CM60

Stand Alone Digital Keypad

Features:

- Weather proof and vandal proof
- Heavy duty indoor and outdoor application
- Used with access control devices
- EE prom Memory
- 5 year warranty
- Voltage 12VAC, 12-24 VDC
- CM 626- 200 users

Specifications:

Input voltage 12 Volt or 24 Volt AC/DC
 Dimension 4-1/2" H x 2-3/4" W x 7/8" D
 Maximum users 120
 Keypad programming

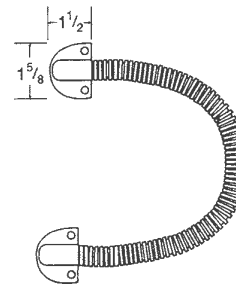


Stocked Product

CM626S - Surface Mount

Accessories

PTSS Series



Heavy duty armoured power transfer cable

Stocked Product

CMPTSS - 7", 12" and 18"

Camden

Magnetic Locks CX91 Series

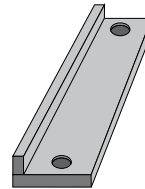
CX 91S-06 - 600 Lbs Surface Mounted Single Door



- 9-7/8" x 1-7/8" x 1"
- 500mA @ 12V
250mA @ 24V
- UL Listed



CX 1001
Adjustable L bracket
for 1200 lb magnets



CX 1003
Angle bracket for 1200 &
600 lb mag locks

CX 91S-12 - 1200 Lbs Surface Mounted Single Door



- 10-1/2" x 2-7/8" x 1-9/16"
- 500mA @ 12V
250mA @ 24V
- UL Listed

Stocked Product

CX91S-6 - 600 lbs Magnetic Lock
CX91S-12 - 1200 lbs Magnetic Lock
CX1001 - Adjustable Brackets F/1200 lbs
CX1003 - Angle Bracket

Access Control

CV 32H Kit

- Online distributed processing system up to 64 doors
- Includes control panel with software, power supply, plug in transformer, 2 HID mullion proximity readers, 10 cards



Stocked Product
CV32H Kit

Camden

CM-120 Series - Flush Mount Wired and Wireless Keypads



CM-120i



CM-120wV2

CM-120 Series keypads are North American built and provide Tri-Brid (TM) stand alone, Wiegand and optional wireless operation! CM120i offers the best performance and value for indoor applications. CM-120wV2 is a vandal and weather resistant model with a metal back-lit keypad.

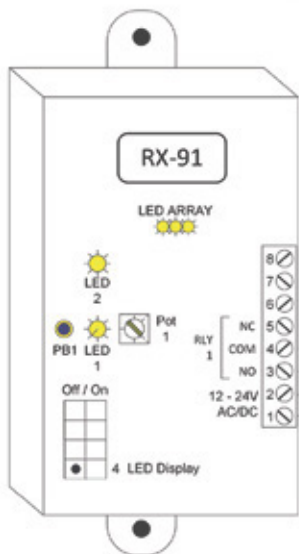
Features:

- CM-120i keypad for indoor use, features stainless steel faceplate and polycarbonate keys
- CM-120wV2 features backlit, weatherproof & vandal resistant metal keypad
- Flush mount single gang stainless steel faceplate
- 3 LED's + Piezo Buzzer
- Request-to-Exit Input
- Door contact input for anti-tailgating & door open alarm
- Global lock-out feature
- Includes tamperproof screws & driver

Specifications

CM-120i/CM-120wV2:

Voltage:	12/24 V AC/DC
Mounting:	Single gang, flush (2) #6 machine and tamper proof screws
Current Draw:	30 MA Standby, 90 MA Max
Input:	1 x Rex Input / 1 x Door
Contact Input	
Contact Type:	2 x Form 'C'
Contact Rating:	3 AMPS @ 24 VDC
Capacity:	999 User Codes
Length:	Variable, Up to 8 Digits (10 Million Possible Codes)
Response Time:	0.3 Seconds
Time Delay:	1 to 255 Seconds, or Latched
Temp Range:	-40°F to + 122°F (-40°C to +50°C) 4 1/2" x 2
Dimensions:	3/4" x 3/4" (114 mm x 70 mm x 19 mm)
RF Output:	Optional Plug-In Transmitter, 2 Channel (SPECIAL ORDER)



CM-RX91

Specifications

CM-RX91 150 Ma - 500 Ma Time Delay: 1-30 seconds Dimensions: 3 1/2" x 2" x 1" (89mm x 51mm x 25mm) Temp Range: -40°F to 185°F (-40°C to +85°C)



TXLF1



CM-TXLFB

Stocked Product

CM120i	Interior Keypad
CM120wV2	Outdoor Keypad
CMRX91	Single Relay Receiver
TXLF1	1 Button Key Fob
CMTXLFB	Key Fob Base

Camden

RF Controls



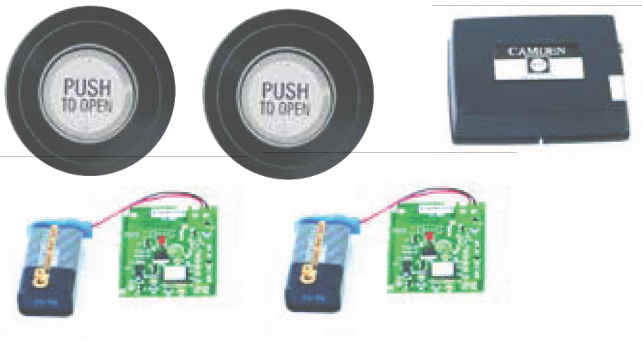
CM-RX-7

- One million unique transmitter codes pre-programmed at factory
- Auto-learn receivers accept from 10 to 480 codes
- 1, 2, 3, 4, or 5 channel handheld transmitters
- Fullsize or key chain formats
- Wireless keypad models
- Exclusive wall switch ready transmitter
- 5 Wire receiver with form c relay output
- IRM option for TX-7 & TX-8 improves accuracy of transmission



RX/TX Series

transmitters and receivers are ideal for varied commercial and handicap applications. Wireless operation eliminates the need to run wiring to the key switch or push button. Digital technology provides maximum range. Camden has full size and key chain transmitters, as well as wall-switch-ready and keypad models. Our receiver features the latest "push and learn" technology, and form C relay output. Camden exclusives include transmitter with Instant Response Module (pulse extender) and receivers with adjustable time delays.



CM-RFP-404

INCLUDES THE FOLLOWING

- 2-EA CM49
- 2-EA CM-TX-7IRM
- 1-EA CM-RX-7

DISCONTINUED
Call for availability and special pricing

Stocked Product

- CM-RFP404 Kit
- CM-RX-7 Receiver
- CM-RX-7TD One Channel Receiver, 30 Second Adjustable Timer