

PRIME-LINE[®]

Prime-Line Products Company
26950 San Bernardino Ave.
Redlands, CA 92374

Prime-Line Products Company was established in 1978 as a supplier of Window and Door Replacement Hardware. The original listing of approximately 300 items has grown to well over 18,000. This was necessary to accommodate the various regional requirements nationwide, as well as, in Canada and Mexico.

The company's growth is enhanced by a 420,000 sq. ft. manufacturing and warehousing facility and 430 dedicated employees. The focus on innovation, customer service, attention to detail and accurate order processing has been instrumental in developing Prime-Line's enviable position in the market.

Prime-Line continues it's leadership role by reacting to the hardware industries need for specialty product categories.

Catalog Features:

- ▶ See the table of contents to locate a specific item from 25 different categories.
- ▶ All items, in a given category, are grouped together on consecutive pages with like or similar items.
- ▶ If you know a specific part number, you may find it quickly by using the master index at the end of this catalog.
- ▶ Each product category is preceded by a numerical listing indicating a catalog page location, suggested retail price, individual package quantities and standard packs.

Noteworthy Information:

- ▶ Most products are available in bulk pack quantities, please call customer service for pricing information.

Terms and Conditions

Pricing

Prices and specifications in this catalog are **effective March 1, 2001**. We strive to keep our prices as low as possible, however, unexpected price increases from other sources may occur. Due to this, our prices are subject to change without notice. Typographical errors are subject to correction. Items will be invoiced at prices current at the time of shipment. Quotes are valid for 30 days from the time of written quotation unless otherwise noted. Minimum order \$15.00.

Terms

1% - 10 days, net 30 days. All sales subject to credit approval. Open accounts will be established after supplying three active credit references and a bank reference. Information supplied should include complete names, addresses and telephone numbers.

Statements

Pay from invoice, statements will be sent at request only.

Delivery

All merchandise is shipped F.O.B. Redlands, CA. Goods in transit are at risk of purchaser. **Distributor shipments of \$500.00 or more** within the 48 contiguous United States, to one destination, will be prepaid (exception: Bulk lineal product, as noted in the index/price list). Alaska, Hawaii and destinations outside the Continental U.S. will be prepaid to a domestic consolidation point on orders of \$500.00 or more. Those shipments less than \$500.00 will be freight collect or freight charges will be added to invoice. Routing for prepaid freight shipments will be selected by Prime-Line. Customers specifying special routing may be responsible for additional freight charges.

Dealer drop-ship orders of \$125.00 or more will be prepaid within the 48 contiguous United States, to one destination. (See exceptions noted above.)

Back Room (Make-To-Fit) screening products, not shown in this catalog, require drop-ship orders of \$350.00 or more for prepaid terms. The limitations noted above also prevail. Regular Window and Door products may be combined with Back Room products to attain the \$350.00 total.

Return Policy

No returns will be accepted without pre-authorization from Prime-Line. Contact our Customer Service Department at (800) 255-3505 for a return authorization number. Freight and re-stocking charge (20%) disposition will be discussed prior to return authorization.

Part illustrations

All drawings are representative of the latest manufactured part available. Due to engineering upgrades taking place throughout the year, the actual replacement part may or may not look identical to the representative illustration.

Bulk/Special Order

Most products are available for bulk sale. Special discounting is available on large quantity orders. Please call (800) 255-3505 for pricing information and availability.

Call For Availability

"Call for Availability" designation on parts shows that the part is of limited manufacture or is obsolete and may not be available. Please call (800) 255-3505 for information on these parts.

GD Restrictions

Garage door components have some restrictions on shipment within the state of California. Call (800) 255-3505 for details.

Damaged or Lost Shipments

For damaged or lost shipments, notify the carrier responsible for delivery. Call Customer Service at (800) 255-3505 to advise our office of the problem and we will assist you in the claims process. Keep all damaged goods, containers and packaging until you are advised to dispose of them. Motor Freight claims must be made with the carrier (ICC regulations require the recipient to file all claims).

Warranty Statement

Goods are warranted against defects in manufacturing; in no case is Prime-Line Products Company, Inc. responsible for use-caused damage or damage incurred during installation. This warranty is void if the goods have been subjected to misapplication, modification or abuse.

Copyright ©2006 Prime-Line Products. All rights reserved. All text and graphics in this catalog are the property of Prime-Line Products and may not be reproduced without written authorization.

Product Category	Page Location
<hr/>	
Sliding Screen Door	
Handles and Latches	A-1 thru A-13
Rollers, Guides and Accessories	B-1 thru B-19
<hr/>	
Sliding Patio Door	
Handles, Latches and Accessories	C-1 thru C-19
Rollers and Accessories	D-1 thru D-34
Locks, Keepers and Accessories	E-1 thru E-16
<hr/>	
Sliding Window (Horizontal and Vertical)	
Handles and Latches	F-1 thru F-17
Rollers and Guides	G-1 thru G-24
<hr/>	
Casement, Jalousie and Awning Window	
Operators, Locks and Accessories	H-1 thru H-37
<hr/>	
Truth Window Hardware (New Package Program)	
Awning Window Operators	TH-1
Casement Window Operators	TH-2 thru TH-3
Crank Handle and Cover Plates	TH-4
Locks, Keepers and Track	TH-5 thru TH-8
Hinges	TH-9
<hr/>	
Window Screen	
Clips, Latches, Hangers and Accessories	L-1 thru L-12
<hr/>	
Storm Window and Door Panel	
Clips, Thumbscrews and Weatherstrip	T-1 thru T-3
<hr/>	
Screening Accessories (New Package Program)	
Screen Frame Kits	PL-2
Plastic Corners	PL-3
Rolling Tools	PL-4
Re-Screening Kits	PL-5
Vinyl Retainer Spline	PL-6
Clips, Latches, Hangers, etc	PL-7 thru PL-17
<hr/>	
Tub and Shower Door	
Rollers, Catches, Guides and Accessories	M-1 thru M-19
<hr/>	
Bi-passing, Bi-folding and Pocket Door	
Bi-passing Rollers, Guides and Accessories	N-1 thru N-33
Bi-folding Guides, Pivots and Accessories	N-33 thru N-57
Pocket Door Rollers, Guides and Accessories	N-58 thru N-63
Bi-passing Track Kits	N-63
Bi-folding Track Kits	N-64
Pocket Door Track Kits	N-64
<hr/>	
R.V. and Mobile Home	
Window and Vent Operators	R1-1 thru R1-6
Latches, Locks and Door Holders	R1-7 thru R1-14

Table of Contents

Drawer and Cabinet

Drawer Track Kits	R2-1 thru R2-2
Drawer Guides and Rollers	R2-2 thru R2-12
Latches, Hinges and Accessories	R2-12 thru R2-14

Home Security (Auxiliary Locks)

Window	S-1 thru S-6
Patio Door	S-7 thru S-11
Entry Door	S-12 thru S-17
Utility (i.e. Mail Box and Cam Locks)	S-18 thru S-23

Defender Security (New Package Program)

Strike Plates	DS-2 thru DS-5
Latch and Lock Re-inforcing Plates	DS-6 thru DS-11
Latch Shields	DS-11 thru DS-13
Window Locks	DS-14 thru DS-17
Sliding Patio Door Locks	DS-18 thru DS-21
Entry Door Locks	DS-22 thru DS-27
Child Security	DS-28 thru DS-30
Utility Locks (Mail Box and Cam Locks)	DS-31 thru DS-33

Builders Hardware

Shelf Pegs	U-1 thru U-4
Door Stops, Holders and Bumpers	U-4 thru U-5
Mirror Clips and Hangers	U-7 thru U-8
Flag Pole Holders	U-9 thru U-10
Bed Frame Clamps	U-11
Bullet and Roller Catches	U-11
House Numbers and Letters	U-12
Shelf Brackets and Shelving Accessories	U-12 thru U-13
Shelving Accessories and Corner Shields	U-14 thru U-15

Commercial Door

Locks, Stops and Accessories	J-1 thru J-10
Adjustable, Hydraulic Closers	J-11 thru J-12
Kick Plates, Push and Pull Plates	J-12 thru J-13
Hinges	J-14

Sectional Overhead Garage Door

Springs, Pulleys, Hinges and Accessories	GD-1 thru GD-17
--	-----------------

Storm and Screen Door

Latches, Closers and Accessories	K-1 thru K-15
--	---------------

Handyman Springs

Extension	SP-2
Compression	SP-2
Planograms	SP-3

Restroom Partition

Brackets, Keepers, Hinges and Accessories	PH-1 thru PH-9
---	----------------

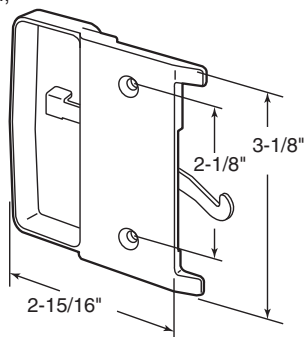
Part No.	Description	Page No.	Package Quantity	Standard Pack
A-100 (Left Hand)	Latch and Pull (Anodized Aluminum)	7	1	6
A-101 (Right Hand)	Latch and Pull (Anodized Aluminum)	7	1	6
A-102 (Left Hand)	Latch and Pull (Anodized Aluminum)	7	1	6
A-103 (Chrome - Right Hand)	Latch (Diecast)	6	1	6
A-104 (Black - Right Hand)	Latch (Diecast)	6	1	6
A-105 (Chrome)	Latch and Pull (Diecast)	6	1	6
A-106 (Chrome)	Pull (Diecast)	10	1	6
A-107 (Clear Anodized)	Latch and Pull (Aluminum)	7	1	6
A-108 (Black - Short Hook)	Latch and Pull (Plastic)	3	1	6
A-109 (Black)	Latch and Pull (Plastic)	3	1	6
A-110	Latch and Pull	7	1	6
A-111 (Black)	Pull (Plastic)	10	1	6
A-112	Pull (Plastic)	10	1	6
A-113	Latch and Pull	6	1	6
A-114 (Anodized Aluminum)	Pull	10	1	6
A-115 (Anodized Aluminum)	Pull	10	1	6
A-116 (Anodized Aluminum)	Pull	11	1	6
A-117 (Anodized Aluminum)	Pull	10	1	6
A-118	Latch	6	1	6
A-119	Latch	8	1	6
A-120 (Aluminum Latch)	Latch	4	1	6
A-121	Latch (Plastic)	8	1	6
A-122 (Black)	Latch and Pull (Plastic)	7	1	6
A-123 (Aluminum)	Latch (Aluminum)	8	1	6
A-124 (White)	Latch (Plastic)	8	1	6
A-125	Latch Strike	11	2	6
A-126 (3/16")	Latch Strike (Diecast)	12	2	6
A-127 (1/4")	Latch Strike (Diecast)	12	2	6
A-128 (5/16")	Latch Strike (Diecast)	12	2	6
A-130 (No Stop Pin)	Latch Lever (Diecast)	8	1	6
A-132	Replacement Hook (Diecast)	9	2	6
A-133 (Medium Hook - 15/16")	Replacement Hook (Diecast)	8	2	6
A-134 (Short Hook - 7/8")	Replacement Hook (Diecast)	8	2	6
A-135 (Medium Hook - 15/16")	Latch Kit (Diecast)	8	1	6
A-136 (Short Hook - 7/8")	Latch Kit (Diecast)	8	1	6
A-137	Latch Kit (Diecast)	8	1	6
A-139 (Black)	Latch and Pull (Plastic)	1	1	6
A-140 (Aluminum)	Latch and Strike	7	1	6
A-141 (Black)	Screen Shield (Plastic)	11	1	6
A-142 (Black)	Latch and Pull (Plastic)	1	1	6
A-145 (Black)	Latch and Pull (Plastic)	1	1	6
A-146 (Black)	Latch and Pull (Plastic)	4	1	6
A-147 (Black)	Latch and Pull (Plastic)	1	1	6
A-148	Latch Strike	12	2	6
A-149 (Nickel Plated)	Finger Pull	11	4	6
A-150 (Black)	Latch and Pull (Plastic)	2	1	6
A-151 (Black)	Latch and Pull (Plastic)	3	1	6
A-152 (Anodized Aluminum)	Latch and Pull (Diecast)	6	1	6
A-153 (Anodized Aluminum)	Pull	10	1	6
A-155 (Black)	Latch and Pull (Diecast)	6	1	6
A-156 (Black)	Latch and Pull (Plastic)	3	1	6
A-157 (Black)	Latch and Pull (Plastic)	4	1	6
A-158 (Black)	Latch and Pull (Plastic)	4	1	6
A-159	Latch Strike	12	1	6
A-160 (Black)	Latch and Pull (Plastic)	5	1	6
A-161	Latch Strike (Diecast)	13	1	6
A-163	Latch Strike	11	2	6
A-164	Latch Kit (Diecast)	7	1	6
A-165 (Black)	Latch and Pull (Plastic)	4	1	6
A-166	Latch Strike & Guide	12	2	6
A-167	Latch (Diecast)	5	1	6
A-168 (Black - 2-9/16")	Latch and Pull (Plastic)	2	1	6
A-169 (White)	Latch Strike (Plastic)	11	2	6
A-170 (Black)	Latch and Pull (Plastic)	4	1	6
A-171 (White)	Latch Strike (Plastic)	13	1	6
A-172 (Black)	Latch and Pull (Plastic)	4	1	6
A-174	Latch Strike & Guide	12	2	6
A-175 (Black)	Latch (Plastic)	7	1	6

Part No.	Description	Page No.	Package Quantity	Standard Pack
A-177 (Black)	Latch and Pull (Plastic)	2	1	6
A-178 (Black)	Latch and Pull	5	1	6
A-179 (Black)	Latch and Pull (Plastic)	5	1	6
A-180 (Black)	Latch and Pull (Plastic)	2	1	6
A-181 (Chrome)	Latch and Pull (Diecast)	6	1	6
A-182 (Right Hand)	Latch and Pull (Anodized Aluminum)	7	1	6
A-183 (Anodized Aluminum)	Pull	10	1	6
A-184 (Chrome - Left Hand)	Latch (Diecast)	6	1	6
A-185 (Bronze)	Latch and Strike	7	1	6
A-186 (Black)	Latch and Pull (Plastic)	2	1	6
A-187 (Black)	Latch and Pull (Plastic)	1	1	6
A-188 (With Stop Pin)	Latch Lever (Diecast)	8	1	6
A-189 (Black)	Latch and Pull (Plastic)	4	1	6
A-190 (Latch Only)	Latch	7	1	6
A-191 (Black)	Pull (Diecast)	10	1	6
A-192 (Black - Long Hook)	Latch and Pull (Plastic)	3	1	6
A-194 (Black Latch)	Latch	4	1	6
A-196 (Bronze)	Latch and Pull (Diecast)	6	1	6
A-197 (White)	Latch and Pull (Diecast)	6	1	6
A-199 (White)	Latch and Pull (Diecast)	6	1	6
A-201 (Black - 2-7/8")	Latch and Pull (Plastic)	2	1	6
A-202 (Black)	Latch and Pull (Diecast)	5	1	6
A-203	Latch Strike (Diecast)	12	2	6
A-205 (White)	Latch and Pull (Plastic)	1	1	6
A-206 (Stone)	Latch and Pull (Plastic)	1	1	6
A-207 (White)	Pull (Plastic)	9	1	6
A-208 (White)	Pull (Plastic)	9	1	6
A-209 (Stone)	Pull (Plastic)	9	1	6
A-210 (White)	Pull (Plastic)	9	1	6
A-211 (Stone)	Pull (Plastic)	9	1	6
A-212 (White - 2-9/16")	Latch and Pull (Plastic)	2	1	6
A-213	Latch Strike (Plastic)	13	2	6
A-215 (Black)	Latch and Pull (Plastic)	3	1	6
A-216 (Stone)	Pull (Plastic)	9	1	6
A-217	Latch Strike	11	2	6
A-218 (Black)	Latch and Pull (Plastic)	2	1	6
A-219 (Black)	Latch and Pull (Plastic)	2	1	6
A-220 (Black)	Latch and Pull (Plastic)	3	1	6
A-222 (White)	Latch and Pull (Diecast)	5	1	6
A-223 (Black)	Latch and Pull (Diecast)	5	1	6
A-224 (White)	Latch and Pull (Plastic)	1	1	6
A-225 (Gold)	Latch and Pull	5	1	6
A-226 (White)	Latch and Pull	5	1	6
A-227 (Champagne)	Latch and Pull	5	1	6
A-228 (White)	Latch and Pull (Plastic)	1	1	6
A-229 (Stone)	Latch	6	1	6
A-230 (White)	Latch (Plastic)	9	1	6
A-231 (Stone)	Latch (Plastic)	9	1	6
A-232 (White)	Latch (Plastic)	9	1	6
A-233 (Stone)	Latch (Plastic)	9	1	6
A-234 (Stone)	Latch (Plastic)	9	1	6
A-235	Latch Strike	12	2	6
A-236	Strike & Guide Kit	11	1	6
A-237 (White)	Latch and Pull (Plastic)	2	1	6
A-238 (White)	Latch and Pull (Plastic)	3	1	6
A-243 (Black)	Latch and Pull (Plastic)	1	1	6
A-246	Latch Strike	12	2	6
A-247	Latch Strike (Diecast)	13	1	6
A-248 (Stone)	Latch (Diecast)	6	1	6
A-249 (Black)	Latch and Pull (Plastic)	3	1	6
A-253 (Black)	Latch and Pull (Plastic)	2	1	6
A-254 (White)	Latch and Pull (Plastic)	2	1	6
A-255 (Black)	Latch and Pull (Plastic)	3	1	6
F-2610 (Black)	Latch and Pull (Aluminum)	5	1	6

Latch and Pull (Plastic)

Contents: 1 inside pull; 1 steel latch assembly; installation screws.

Description: Plastic inside pull and latch; fits *Andersen*® four panel Frenchwood sliding screen doors.

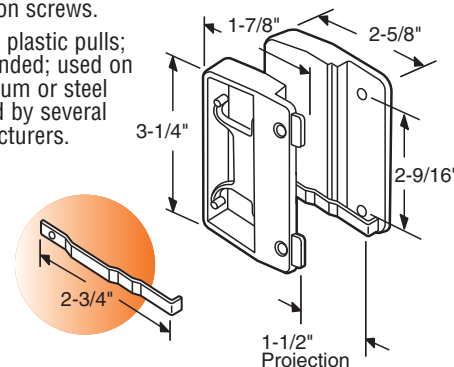


A-205 (White)
A-206 (Stone)

Latch and Pull (Plastic)

Contents: 1 inside and outside pull; 1 steel latch; 1 plastic latch activator; installation screws.

Description: Black plastic pulls; steel latch; non-handed; used on roll-formed aluminum or steel screen doors; used by several patio door manufacturers.

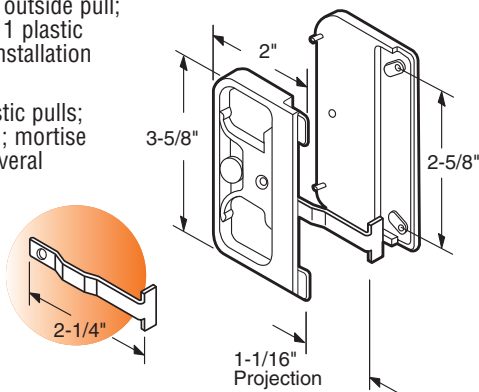


A-145 (Black)

Latch and Pull (Plastic)

Contents: 1 inside and outside pull; 1 steel latch assembly; 1 plastic activator; 1 pop rivet; installation screws.

Description: Black plastic pulls; steel latch; non-handed; mortise installation; used by several door manufacturers.

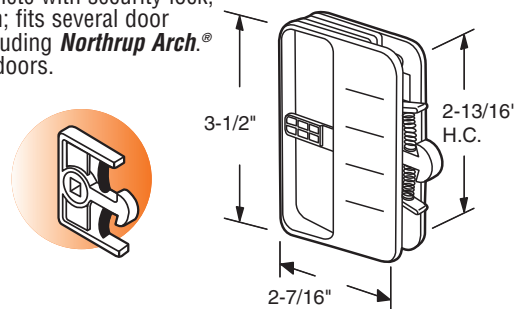


A-142 (Black)

Latch and Pull (Plastic)

Contents: 1 inside and outside pull; 1 lock and latch assembly; installation screws.

Description: Black plastic pulls; non-handed; complete with security lock; mortise installation; fits several door manufacturers including *Northrup Arch.*® and *Fran Meyer*® doors.

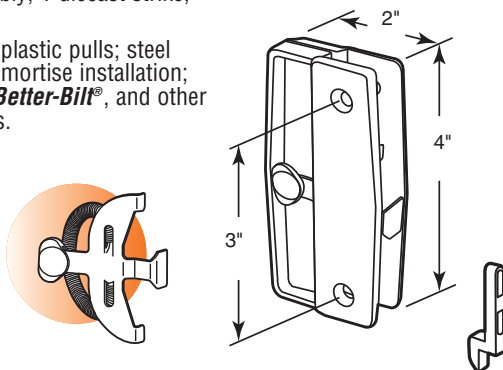


A-147 (Black)

Latch and Pull (Plastic)

Contents: 1 inside and outside pull; 1 steel latch assembly; 1 diecast strike; installation screws.

Description: Black plastic pulls; steel latch; non-handed; mortise installation; fits on *Academy*®, *Better-Bilt*®, and other door manufacturers.

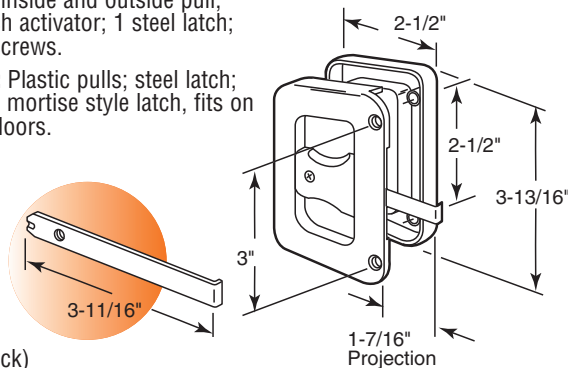


A-139 (Black)

Latch and Pull (Plastic)

Contents: 1 inside and outside pull; 1 plastic latch activator; 1 steel latch; installation screws.

Description: Plastic pulls; steel latch; non-handed, mortise style latch, fits on hat section doors.

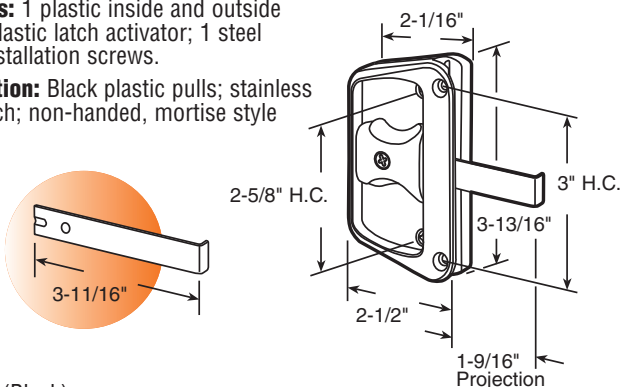


A-187 (Black)
A-228 (White)

Latch and Pull (Plastic)

Contents: 1 plastic inside and outside pull; 1 plastic latch activator; 1 steel latch; installation screws.

Description: Black plastic pulls; stainless steel latch; non-handed, mortise style latch.

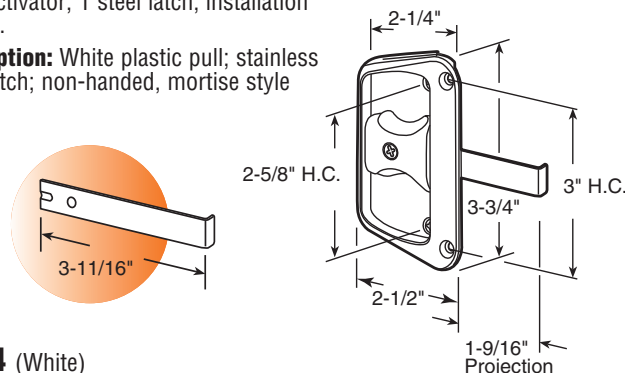


A-243 (Black)

Latch and Pull (Plastic)

Contents: 1 plastic inside pull; 1 plastic latch activator; 1 steel latch; installation screws.

Description: White plastic pull; stainless steel latch; non-handed, mortise style latch.

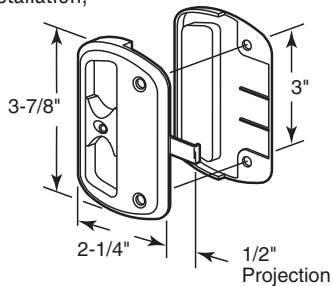
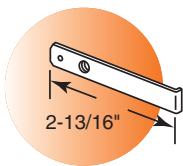


A-224 (White)

Latch and Pull (Plastic)

Contents: 1 inside and outside pull; 1 plastic latch activator; 1 steel latch; installation screws.

Description: Black plastic pulls; steel hook; non-handed; mortise installation; used on 1/2" extruded and roll-formed doors.

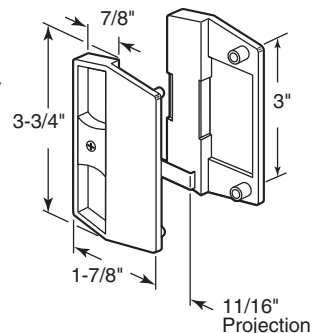
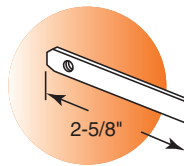


A-186 (Black)

Latch and Pull (Plastic)

Contents: 1 inside and outside pull; 1 plastic latch activator; 1 steel latch; installation screws.

Description: Black plastic pulls; steel latch; non-handed; mortise installation; snap together design; fits on **Academy Door®**.

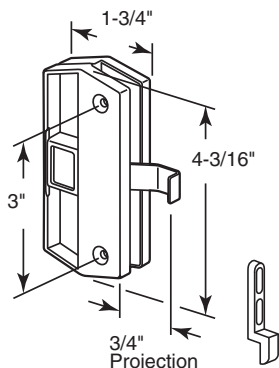
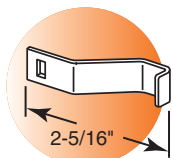


A-180 (Black)

Latch and Pull (Plastic)

Contents: 1 inside and outside pull; 1 plastic latch activator; 1 steel latch; 1 strike; installation screws.

Description: Black plastic pulls; steel latch; non-handed; mortise installation.



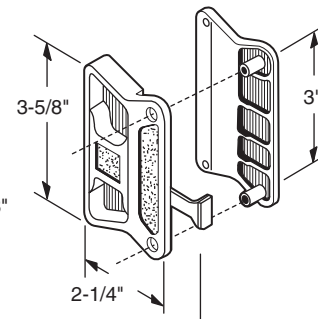
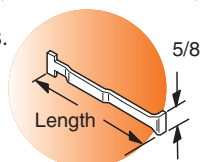
A-253 (Black)

A-254 (White)

Latch and Pull (Plastic)

Contents: 1 inside and outside pull; 1 plastic latch activator; 1 steel latch; installation screws.

Description: Black plastic pulls; steel latch; non-handed; mortise installation; fits on **Superior Aluminum®** doors.



A-168 (Black - 2-9/16" Length / 11/16" Projection)

A-201 (Black - 2-7/8" Length / 1" Projection)

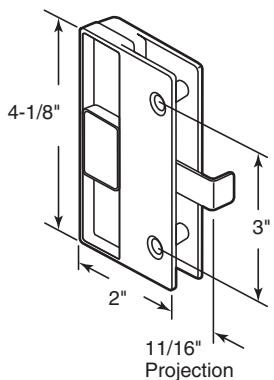
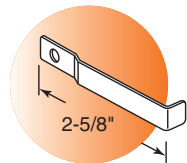
A-212 (White - 2-9/16" Length / 11/16" Projection)

Projection (See options at left)

Latch and Pull (Plastic)

Contents: 1 inside and outside pull; 1 plastic latch activator; 1 steel latch; installation screws.

Description: Black plastic pulls; steel latch; non-handed; mortise installation; new style fits on **Columbia-matic®** doors.

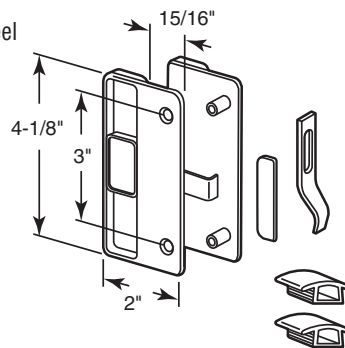
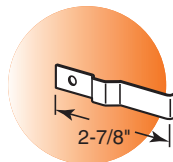


A-177 (Black)

Latch and Pull (Plastic)

Contents: 1 inside and outside pull; 1 strike; 1 plastic latch activator, 1 steel latch; installation screws.

Description: Black plastic pulls; steel latch hook; vinyl top guides; for 1" thick **Columbia Series 4000®** screen doors.

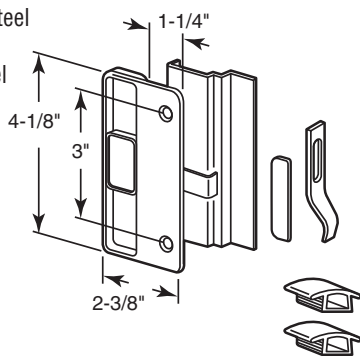
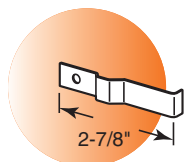


A-218 (Black)

Latch and Pull (Plastic)

Contents: 1 inside and outside pull; 1 strike; 1 plastic latch activator, 1 steel latch; installation screws.

Description: Black plastic pulls; steel latch hook; vinyl top guides; for hat section style **Columbia Supreme®** series doors.

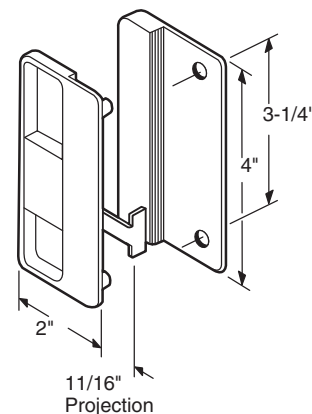
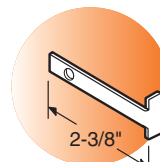


A-219 (Black)

Latch and Pull (Plastic)

Contents: 1 inside and outside pull; 1 plastic latch activator; 1 steel latch; installation screws.

Description: Plastic pulls; steel latch; non-handed; mortise installation; fits on **Jim Walters®** sliding roll-formed screen doors.



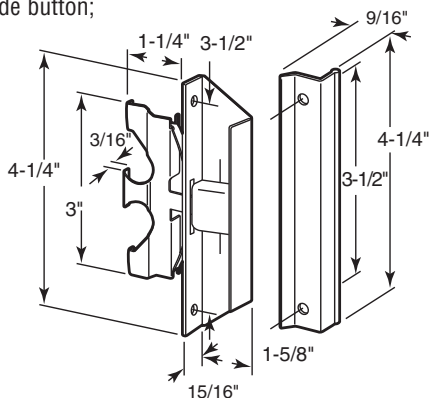
A-150 (Black)

A-237 (White)

Latch and Pull (Plastic)

Contents: 1 inside and outside pull; 1 steel latch assembly; 1 slide button; installation screws.

Description: Black inside pull has plastic latch button; steel hook with flat spring; black outside pull; fits hat section doors.

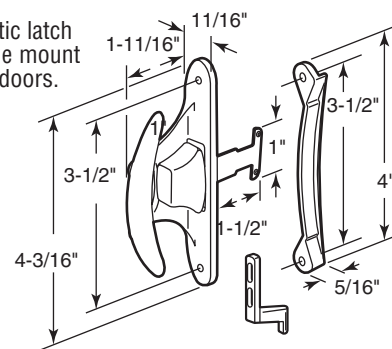


A-220 (Black)

Latch and Pull (Plastic)

Contents: 1 inside and outside pull; 1 steel latch assembly; 1 diecast strike; installation screws.

Description: Black plastic latch and pull; steel hook; side mount design; fits hat-section doors.

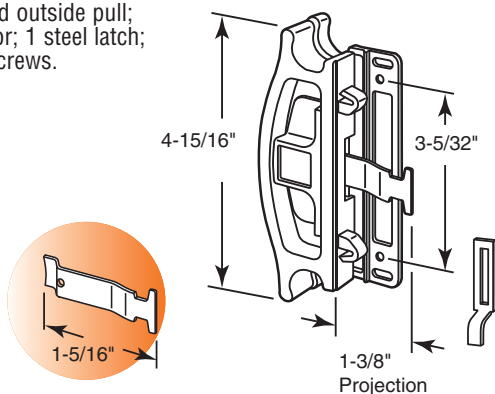


A-215 (Black)

Latch and Pull (Plastic)

Contents: 1 inside and outside pull; 1 plastic latch activator; 1 steel latch; 1 strike; installation screws.

Description: B

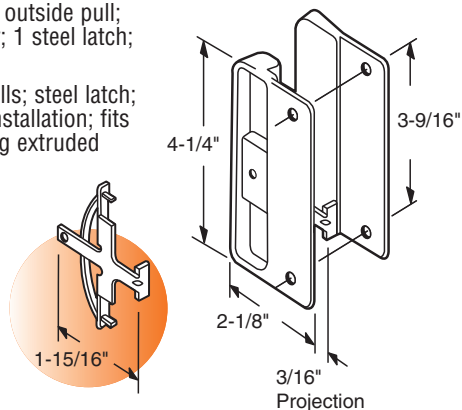


A-255 (Black)

Latch and Pull (Plastic)

Contents: 1 inside and outside pull; 1 plastic latch activator; 1 steel latch; installation screws.

Description: Plastic pulls; steel latch; non-handed; mortise installation; fits on **Jim Walters**® sliding extruded frame screen doors.

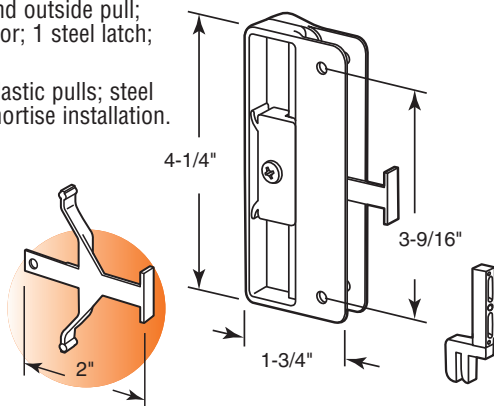


A-151 (Black)
A-238 (White)

Latch and Pull (Plastic)

Contents: 1 inside and outside pull; 1 plastic latch activator; 1 steel latch; installation screws.

Description: Black plastic pulls; steel latch; non-handed; mortise installation.

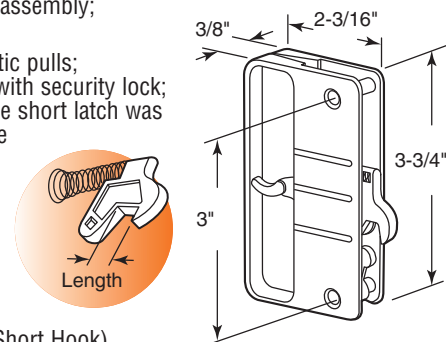


A-249 (Black)

Latch and Pull (Plastic)

Contents: 1 inside and outside pull; 1 plastic lock and latch assembly; installation screws.

Description: Black plastic pulls; non-handed; complete with security lock; fits on **Anjac**® doors; the short latch was designed for 1-5/8" wide frames, the 1/8" longer latch was designed for 1-3/4" wide frames.

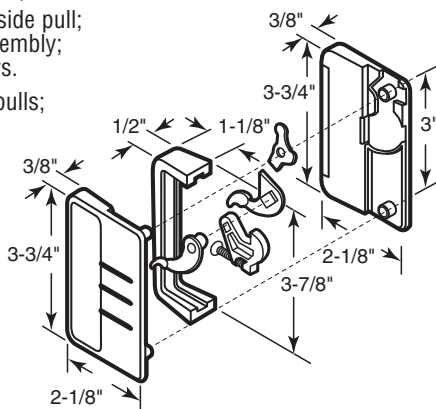


A-108 (Black - 3/16" Short Hook)
A-192 (Black - 5/16" Long Hook)

Latch and Pull (Plastic)

Contents: 1 inside and outside pull; 1 plastic lock and latch assembly; 1 spacer; installation screws.

Description: Black plastic pulls; non-handed; complete with security lock; mortise installation; spacer included for hat-section door applications; fits on extruded frame doors.

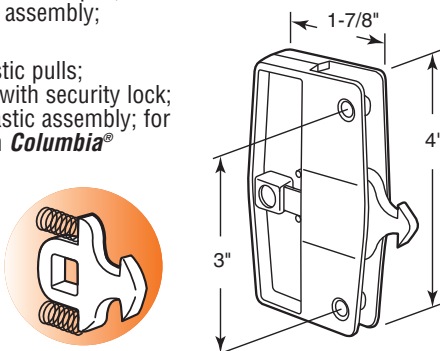


A-156 (Black)

Latch and Pull (Plastic)

Contents: 1 inside and outside pull; 1 plastic lock and latch assembly; installation screws.

Description: Black plastic pulls; non-handed; complete with security lock; mortise installation; plastic assembly; for 1/2" thick doors; fits on **Columbia**® doors.

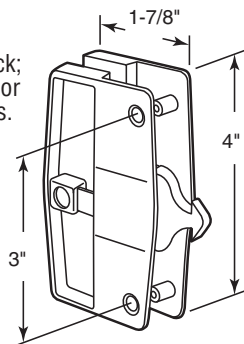
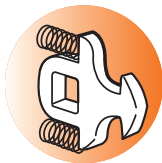


A-109 (Black)

Latch and Pull (Plastic)

Contents: 1 inside and outside pull; 1 plastic lock and latch assembly; installation screws.

Description: Black plastic pulls; non-handed; complete with security lock; mortise installation; plastic assembly; for 1" thick doors; fits on **Columbia**® doors.

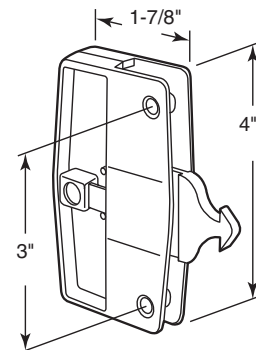
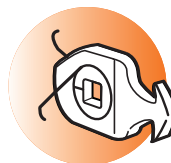


A-157 (Black)

Latch and Pull (Plastic)

Contents: 1 inside and outside pull; 1 plastic lock and latch assembly; installation screws.

Description: Black plastic pulls; non-handed; complete with security lock; mortise installation; plastic assembly; for 1/2" thick doors; fits on **Columbia**® doors.

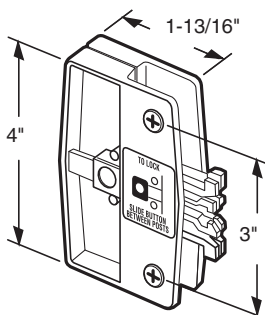
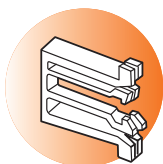


A-165 (Black)

Latch and Pull (Plastic)

Contents: 1 inside and outside pull; 1 plastic lock and latch assembly; installation screws.

Description: Black plastic pulls; non-handed; complete with security lock; mortise installation; fits on **Columbia/Sterno**® doors.

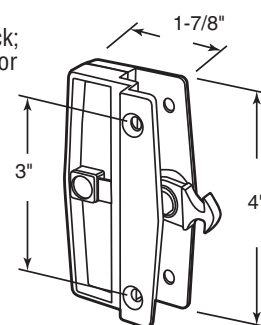


A-170 (Black)

Latch and Pull (Plastic)

Contents: 1 inside and outside pull; 1 plastic lock and latch assembly; installation screws.

Description: Black plastic pulls; non-handed; complete with security lock; mortise installation; plastic assembly; for 1" thick hat section doors; fits on **Columbia**® doors.

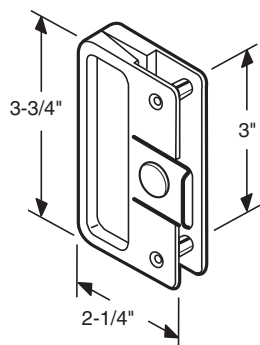


A-172 (Black)

Latch and Pull (Plastic)

Contents: 1 inside and outside pull; 1 plastic lock and latch assembly; installation screws.

Description: Black plastic pulls; non-handed; automatic latching feature; fits on **Rolleze**® screen doors.

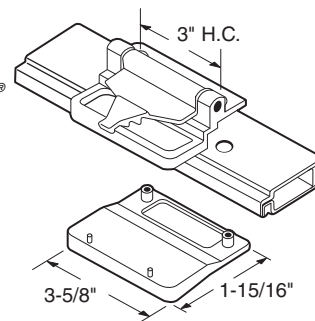


A-158 (Black)

Latch and Pull (Plastic)

Contents: 1 plastic inside pull housing and aluminum flip latch combination; 1 plastic outside pull; installation screws.

Description: Black plastic pulls; aluminum flip latch non-handed; surface mount; no strike required; spring activated; fits on **Ador HiLite**® screen doors.

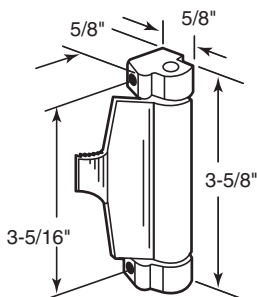


A-146 (Black)

Latch

Contents: 1 inside latch.

Description: Non-handed; spring loaded aluminum flip latch; black plastic housing; no strike required; fits on **Ador HiLite**® screen doors.



A-120 (Aluminum Latch)

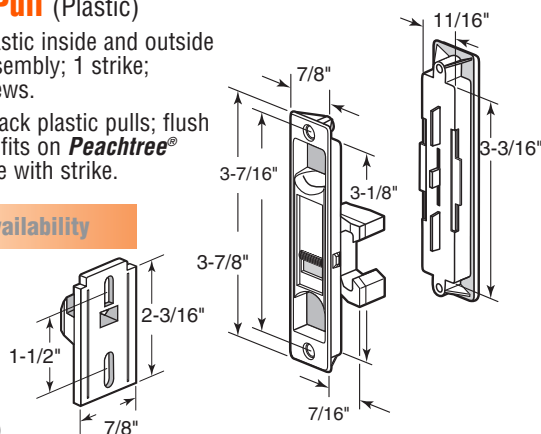
A-194 (Black Latch)

Latch and Pull (Plastic)

Contents: 1 plastic inside and outside pull; 1 latch assembly; 1 strike; installation screws.

Description: Black plastic pulls; flush latch assembly fits on **Peachtree**® doors; complete with strike.

Call For Availability



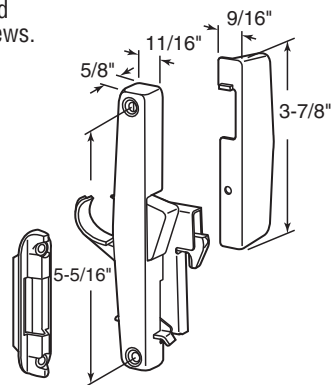
A-189 (Black)

Latch and Pull

Contents: 1 mortise latch; 1 inside and outside pull; 1 keeper; installation screws.

Description: Mortise latch has plastic hook, lever, keeper and outside pull; metal inside pull; steel nite latch lever; fits on **Pella**® doors.

Call For Availability

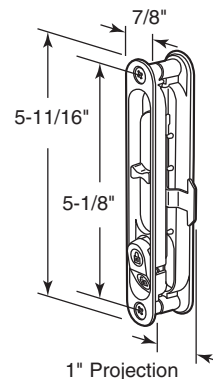


- A-225** (Gold)
- A-226** (White)
- A-227** (Champagne)

Latch and Pull (Diecast)

Contents: 1 diecast inside and outside pull; 4 steel hooks; installation screws.

Description: Diecast inside and outside pull; steel hook; automatic locking handle assembly; this latching handle is used by several door manufacturers, however, the hook configuration changes, therefore this handle is supplied with an assortment of 4 steel hooks.



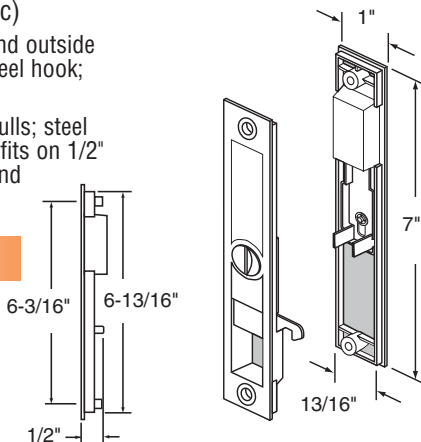
- A-202** (Black)
- A-222** (White)

Latch and Pull (Plastic)

Contents: 1 plastic inside and outside pull; 1 plastic activator; 1 steel hook; installation screws.

Description: Black plastic pulls; steel hook; flush latch assembly; fits on 1/2" thick **Columbia**® extruded and roll-formed doors.

Call For Availability

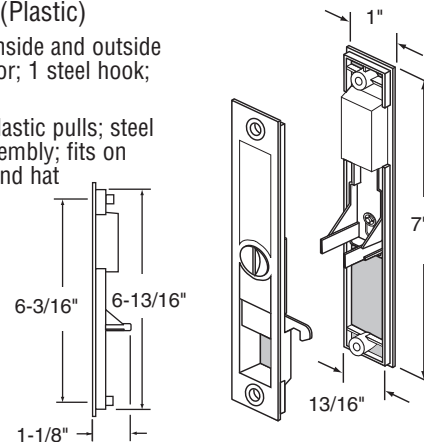


- A-178** (Black)

Latch and Pull (Plastic)

Contents: 1 plastic inside and outside pull; 1 plastic activator; 1 steel hook; installation screws.

Description: Black plastic pulls; steel hook; flush latch assembly; fits on **Columbia**® 1" thick and hat section doors.



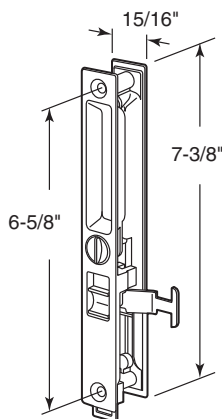
- A-179** (Black)

Latch and Pull (Diecast)

Contents: 1 diecast inside and outside pull; installation screws.

Description: Diecast flush inside and outside pull; special hook used on sliding screen doors; black painted finish.

Call For Availability

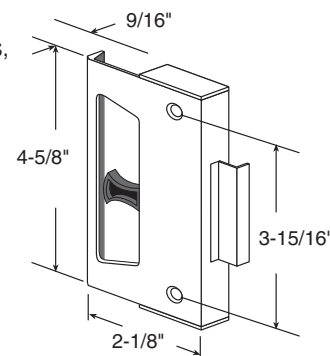


- A-223** (Black)

Latch and Pull (Aluminum)

Contents: 1 pull assembly; installation screws.

Description: Black aluminum clamp style latch; used on both screen doors, storm doors and some commercial sliding windows.

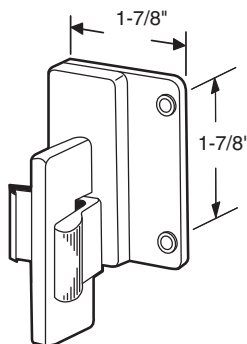


- F-2610** (Black)

Latch and Pull (Plastic)

Contents: 1 plastic inside and outside pull with spring latch; 1 keeper; installation screws.

Description: Black plastic pull; surface mount; automatic latching; fits on **H&D Industries**® and many other manufacturers.

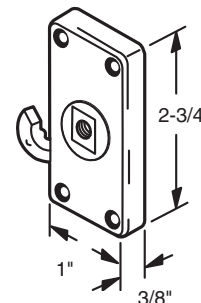


- A-160** (Black)

Latch (Diecast)

Contents: 1 diecast latch housing with hook.

Description: Internal mount diecast latch; repair part for A-152.

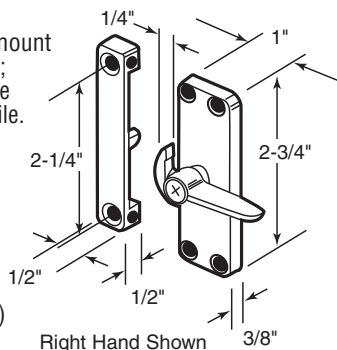


- A-167**

Latch (Diecast)

Contents: 1 latch and strike; installation screws.

Description: Diecast; surface mount latch; side or face mount strike; can be used on single or double sliding doors; extremely versatile.



A-103 (Chrome - Right Hand)

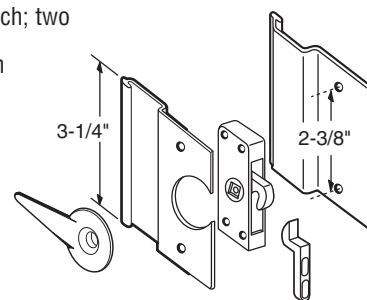
A-104 (Black - Right Hand)

A-184 (Chrome - Left Hand)

Latch and Pull (Diecast)

Contents: 1 inside and outside pull; 1 internal latch assembly; 1 thumbturn; 1 strike; installation screws.

Description: Diecast internal latch; two aluminum pulls; diecast lever; non-handed; see A-167 for latch only.



A-152 (Anodized Aluminum)

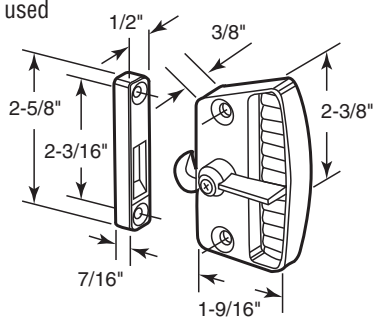
A-196 (Bronze)

A-197 (White)

Latch and Pull (Diecast)

Contents: 1 inside pull; 1 strike; installation screws.

Description: Diecast inside latch and strike; non-handed; surface mount; used by many manufacturers.



A-105 (Chrome)

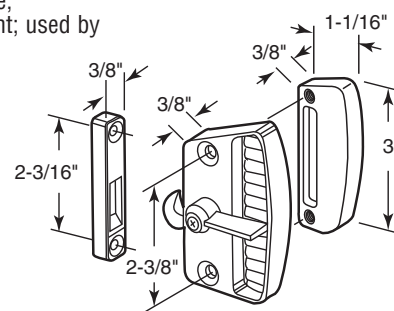
A-155 (Black)

A-199 (White)

Latch and Pull (Diecast)

Contents: 1 inside and outside pull; 1 strike; installation screws.

Description: Chrome; diecast inside latch and outside pull with strike; non-handed; surface mount; used by many manufacturers.

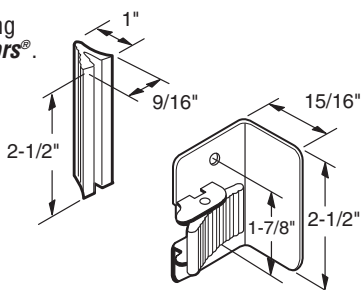


A-181 (Chrome)

Latch and Pull

Contents: 1 inside and outside pull; installation screws.

Description: Anodized inside latch; extruded anodized outside pull; non-handed; surface mount; spring loaded latch; fits on **Fullview Doors®**.

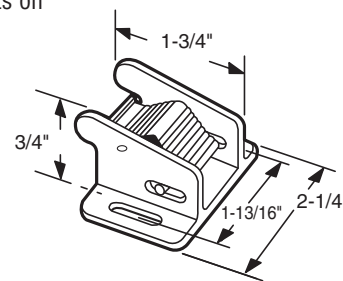


A-113

Latch

Contents: 1 inside latch; installation screws.

Description: Non-handed; spring activated; no strike required; fits on **Premier®** screen doors.



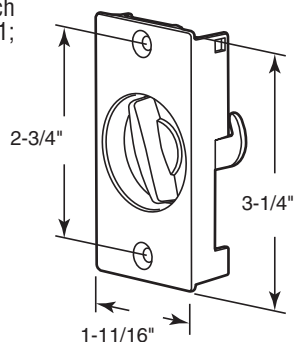
Call For Availability

A-118

Latch

Contents: 1 latch.

Description: Narrow screen door latch fits **Andersen®** doors, 1968 thru 1981; stone color.

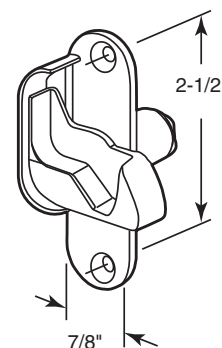


A-229 (Stone)

Latch (Diecast)

Contents: 1 latch assembly.

Description: Screen door latch fits **Andersen®** sliding screen doors; diecast zinc material; painted finish.

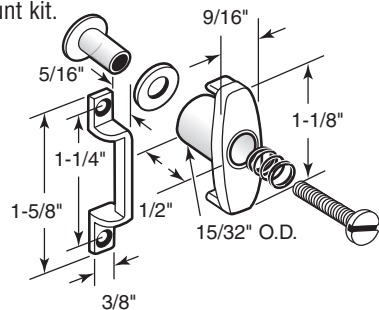


A-248 (Stone)

Latch Kit (Diecast)

Contents: 1 latch, 1 strike, 1 attachment screw and spring, 1 washer, 1 binder post nut, installation screws.

Description: Zinc plated diecast latch and strike; non-handed, surface mount kit.

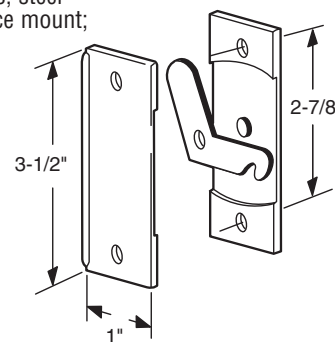


A-164

Latch and Pull (Plastic)

Contents: 1 inside and outside pull; 1 steel lever latch; installation screws.

Description: Black plastic pulls; steel lever latch; non-handed; surface mount; fits on **Keller®** doors.

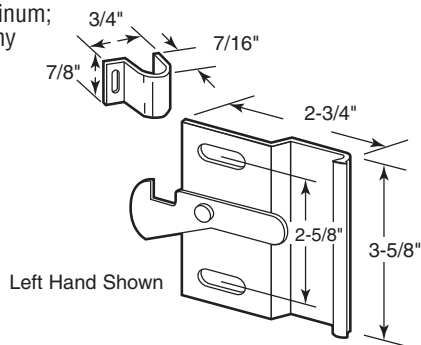


A-122 (Black)

Latch and Pull (Anodized Aluminum)

Contents: 1 inside pull; 1 strike; installation screws.

Description: Anodized aluminum; surface-mount; used by many manufacturers.



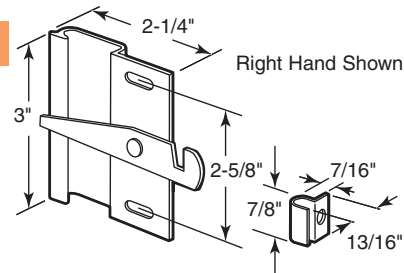
A-100 (Left Hand)
A-101 (Right Hand)

Latch and Pull (Anodized Aluminum)

Contents: 1 inside pull; 1 strike; installation screws.

Description: Surface-mount; used by many manufacturers.

Call For Availability



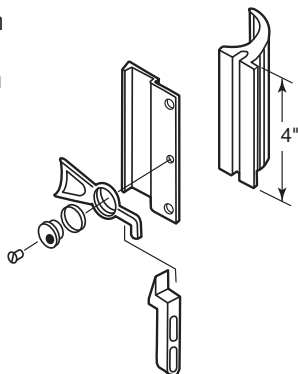
A-102 (Left Hand)
A-182 (Right Hand)

Latch and Pull

Contents: 1 inside and outside pull; 1 lock assembly; 1 strike; installation screws.

Description: Non-handed; aluminum pulls; diecast lock; universal application; surface mount.

Call For Availability

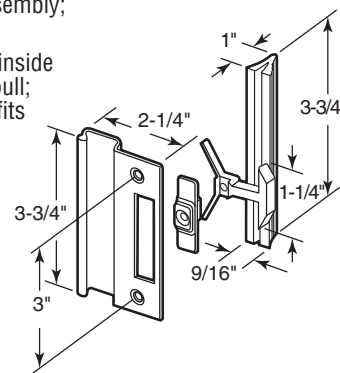


A-110

Latch and Pull (Aluminum)

Contents: 1 inside pull; 1 outside pull; 1 two-piece white plastic latch assembly; installation screws.

Description: Anodized aluminum inside pull; extruded aluminum outside pull; non-handed; mortise installation; fits on **Trimview®** screen doors.

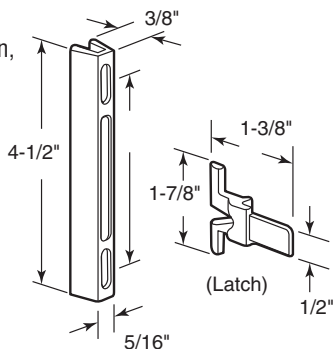


A-107 (Clear Anodized)

Latch and Strike

Contents: 1 latch; 1 strike; installation screws.

Description: Plastic latch; aluminum strike; non-handed, mortise installation, replaces aluminum latch, fits on **International®** doors.



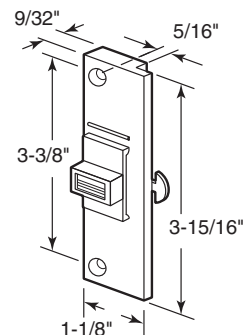
A-140 (Aluminum)
A-185 (Bronze)
A-190 (Latch Only)

Latch (Plastic)

Contents: 1 inside pull; 1 strike; installation screws.

Description: Black plastic assembly; steel hook; non-handed; mortise installation; fits on **Peachtree-Citation II®** screen doors.

Call For Availability

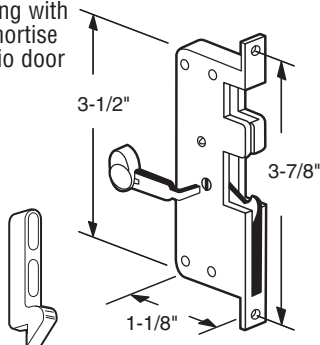


A-175 (Black)

Latch (Plastic)

Contents: 1 latch housing; 1 latch lever; 1 strike; installation screws.

Description: Plastic latch housing with steel hook; non-handed latch; mortise installation; used by several patio door manufacturers.

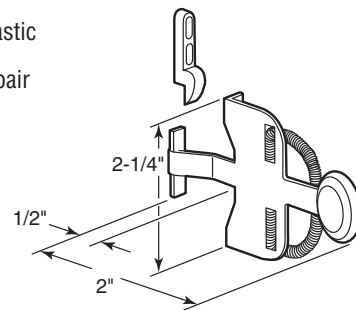


A-121

Latch

Contents: 1 latch; 1 finger tab; 1 strike; installation screws.

Description: Stamped steel; black plastic finger tab; non-handed; mortise installation; spring activated latch; repair part for A-139 handle.

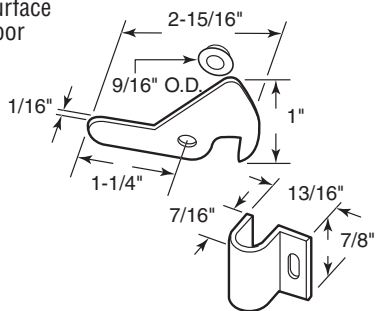


A-119

Latch (Aluminum)

Contents: 1 lever latch and strike; 1 bushing; installation screws.

Description: Aluminum lever and strike; plastic bushing; non-handed; surface mount; used by several patio door manufacturers.

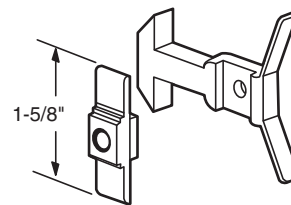


A-123 (Aluminum)

Latch (Plastic)

Contents: 1 latch and slide button; installation screws.

Description: Replacement latch for A-107 sliding screen door handle assembly.

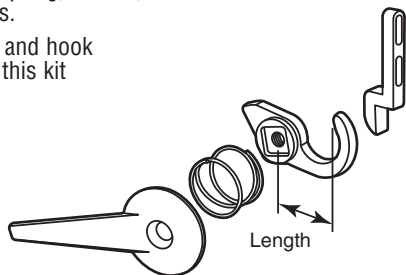


A-124 (White)

Latch Kit (Diecast)

Contents: 1 latch lever; 1 spring; 1 hook; 1 strike; installation screws.

Description: Diecast lever and hook latch; mortise installation; this kit contains the A-130 lever.



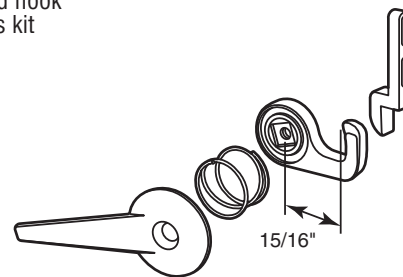
A-135 (Medium Hook - 15/16")

A-136 (Short Hook - 7/8")

Latch Kit (Diecast)

Contents: 1 latch lever; 1 spring; 1 hook; 1 strike; installation screws.

Description: Diecast lever and hook latch; mortise installation; this kit contains the A-130 lever.

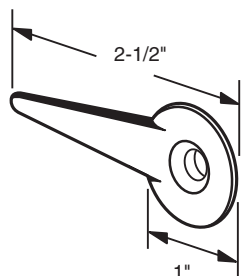


A-137

Latch Lever (Diecast)

Contents: 1 latch lever, installation screw.

Description: Diecast; used to operate many styles of screen door latches.



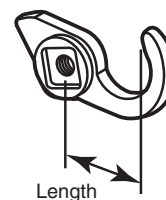
A-130 (No Stop Pin)

A-188 (With Stop Pin)

Replacement Hook (Diecast)

Contents: 2 hooks.

Description: Diecast hook.



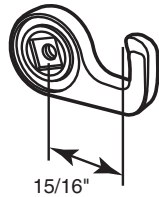
A-133 (Medium Hook - 15/16")

A-134 (Short Hook - 7/8")

Replacement Hook (Diecast)

Contents: 2 hooks.

Description: Diecast hook.

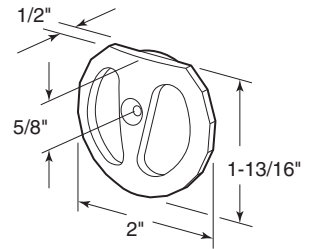


A-132

Latch (Plastic)

Contents: 1 latch.

Description: Screen door latch fits *Andersen*® two panel doors, 1982 thru 1989; stone color.

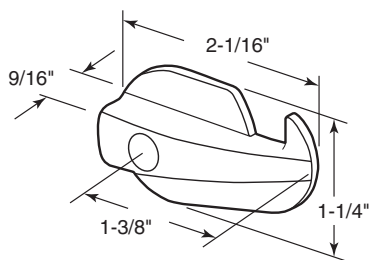


A-234 (Stone)

Latch (Plastic)

Contents: 1 latch.

Description: Three panel "universal" latch fits *Andersen*® screen doors.



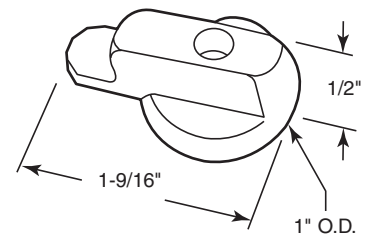
A-232 (White)

A-233 (Stone)

Latch (Plastic)

Contents: 1 latch.

Description: Two panel *Andersen*® Frenchwood hinged screen door lock.



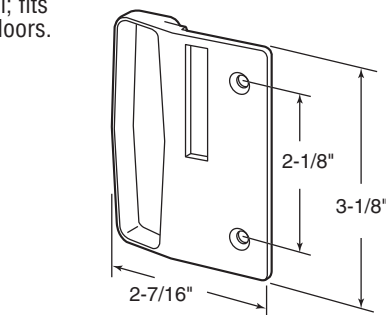
A-230 (White)

A-231 (Stone)

Pull (Plastic)

Contents: 1 inside pull.

Description: Plastic inside pull; fits *Andersen*® two panel screen doors.

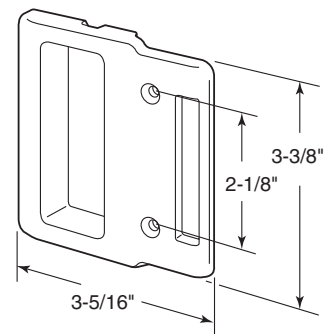


A-216 (Stone)

Pull (Plastic)

Contents: 1 inside pull.

Description: Plastic inside pull; fits *Andersen*® two and three panel screen doors.



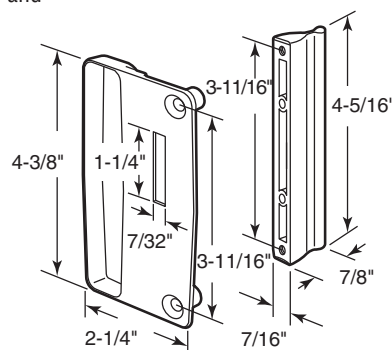
A-208 (White)

A-209 (Stone)

Pull (Plastic)

Contents: 1 inside and outside pull.

Description: White plastic inside and outside screen door pulls; fits *Andersen*® screen doors.

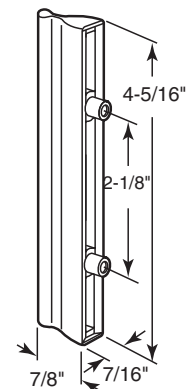


A-207 (White)

Pull (Plastic)

Contents: 1 outside pull; installation screws.

Description: Plastic outside pull; used on *Andersen*® screen doors.



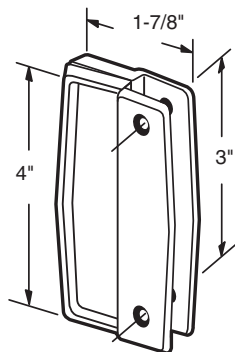
A-210 (White)

A-211 (Stone)

Pull (Plastic)

Contents: 1 inside and outside pull; installation screws.

Description: Black plastic pulls; non-handed; surface mount; plastic assembly.

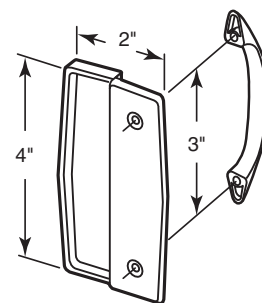


A-111 (Black)

Pull (Plastic)

Contents: 1 inside pull; 1 outside pull; installation screws.

Description: Black plastic inside pull; chrome plated diecast outside pull; non-handed, surface mount.

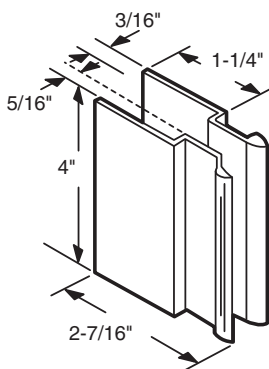


A-112

Pull (Aluminum)

Contents: 1 inside and outside pull; installation screws.

Description: 2 anodized aluminum pulls; one with a 3/16" deep offset, and the other with a 5/16" deep offset; pulls do not come pre-drilled.

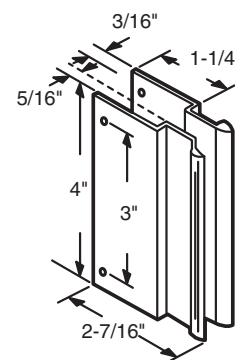


A-153 (Anodized Aluminum)

Pull (Aluminum)

Contents: 1 inside and outside pull; installation screws.

Description: 2 anodized aluminum pulls; one with a 3/16" deep offset, and the other with a 5/16" deep offset; pulls are pre-drilled and come supplied with binder post fasteners.

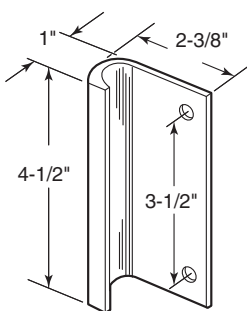


A-183 (Anodized Aluminum)

Pull (Aluminum)

Contents: 1 pull; installation screws.

Description: Anodized aluminum heavy duty pull to be used as inside or outside pull; surface mount; ideal secondary pull for children.

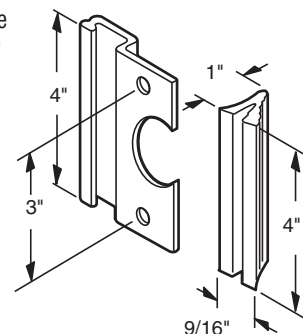


A-117 (Anodized Aluminum)

Pull (Aluminum)

Contents: 1 inside and outside pull; installation screws.

Description: Anodized aluminum inside and outside pulls; non-handed; surface mount; designed to be used with latch assemblies A-135 and A-137.

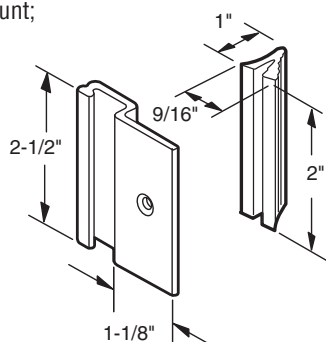


A-115 (Anodized Aluminum)

Pull (Aluminum)

Contents: 1 inside and outside pull; installation screws.

Description: Non-handed; surface mount; no latch required; ideal for secondary pull; used by many manufacturers.

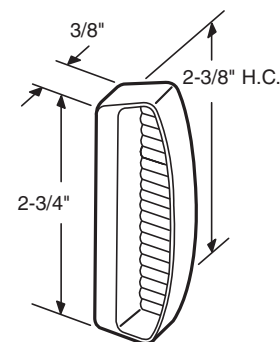


A-114 (Anodized Aluminum)

Pull (Diecast)

Contents: 1 outside pull; installation screws.

Description: Used by many manufacturers; use with A-105 or can be used as individual outside pull.



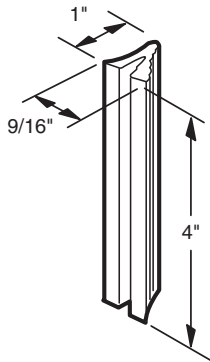
A-106 (Chrome)
A-191 (Black)

Call For Availability

Pull (Aluminum)

Contents: 1 outside pull; installation screws.

Description: Anodized aluminum pull; surface mount; used by many manufacturers.

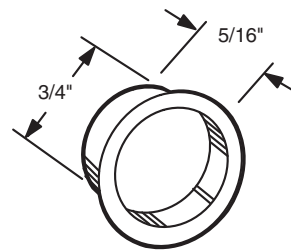


A-116 (Anodized Aluminum)

Finger Pull

Contents: 4 pulls.

Description: Plated, stamped steel construction.

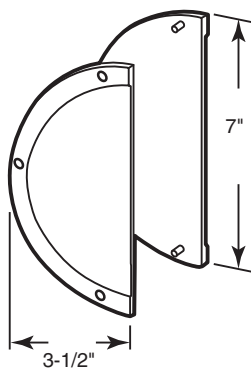


A-149 (Nickel Plated)

Screen Shield (Plastic)

Contents: 1 inside and outside panel.

Description: Black plastic; protects area around screen door handle; easy, snap together installation; no tools required; works well with most sliding screen door handle assemblies.



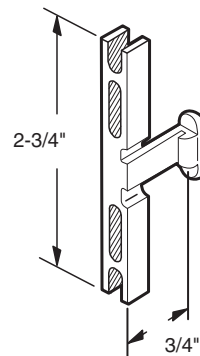
A-141 (Black)

Latch Strike (Plastic)

Contents: 1 latch strike; installation screws.

Description: Adjustable, used by many patio door manufacturers.

Call For Availability

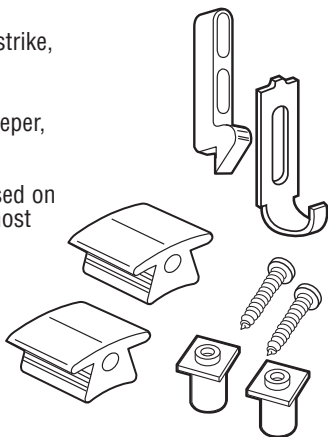


A-169 (White)

Strike & Guide Kit

Contents: 1 metal strike, 1 diecast strike, 2 adjustment screws with bushings, 2 top door guides.

Description: Sliding screen door keeper, guide and adjustment kit; 2 keeper options repairs most screen doors; adjustment screws and bushings used on most screen doors, top guides fit most screen door channels.

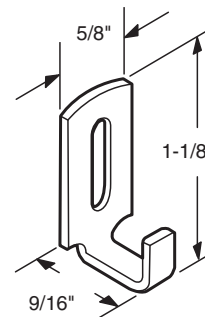


A-236

Latch Strike

Contents: 2 strikes; installation screws.

Description: Stamped steel; used by many door manufacturers.

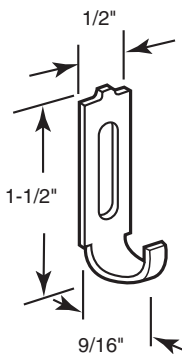


A-125

Latch Strike

Contents: 2 strikes; installation screws.

Description: Stamped steel strike; used by *Columbia*® doors.

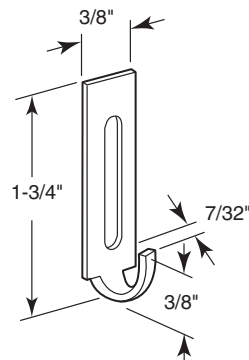


A-163

Latch Strike

Contents: 2 strikes; installation screws.

Description: Stamped steel strike; used by *Academy*® screen doors.

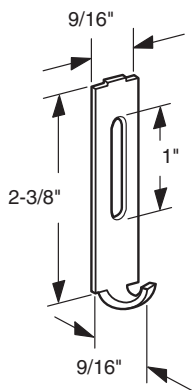


A-217

Latch Strike

Contents: 2 strikes; installation screws.

Description: Heavy duty; stamped steel, zinc plated strike, extended vertical height adjustment slot.

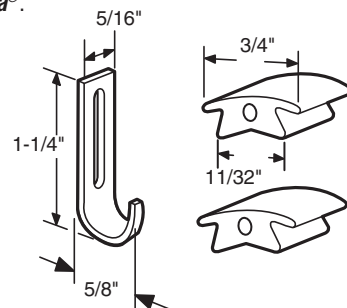


A-159

Latch Strike & Guide

Contents: 2 strikes, 2 top guides, installation screws.

Description: Narrow bodied screen door strike, stamped steel, zinc plated, black vinyl top guides; fits on **Columbia®**.

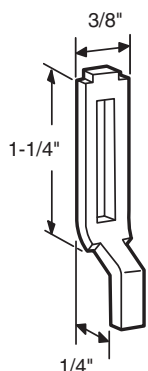


A-174

Latch Strike

Contents: 2 strikes; installation screws.

Description: Stamped steel strike; adjustable, used by many screen door manufacturers.

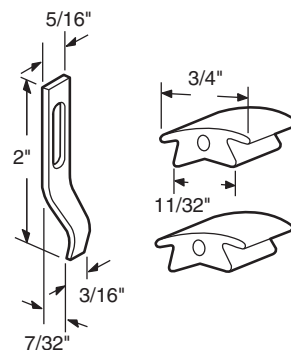


A-148

Latch Strike & Guide

Contents: 2 strikes, 2 top guides, installation screws.

Description: Stamped steel strike; black vinyl top guides; repair part for A-165, sliding screen door latch and pull.

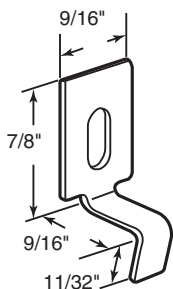


A-166

Latch Strike

Contents: 2 strikes; installation screws.

Description: Zinc-plated steel; vertical adjustment slot; used by several screen door manufacturers.

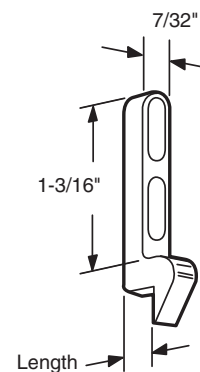


A-235

Latch Strike (Diecast)

Contents: 2 strikes; installation screws.

Description: Diecast; adjustable; used by many patio door manufacturers.



A-126 (3/16")

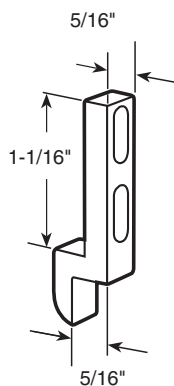
A-127 (1/4")

A-128 (5/16")

Latch Strike (Diecast)

Contents: 2 strikes; installation screws.

Description: Diecast; adjustable; used by many patio door manufacturers.

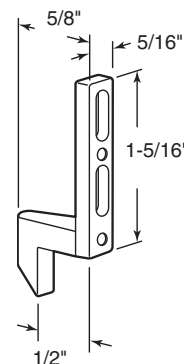


A-246

Latch Strike (Diecast)

Contents: 2 strikes; installation screws.

Description: Diecast; tapered nose; deep reach design; zinc plated finish; used with A-202 style flush latching handles.

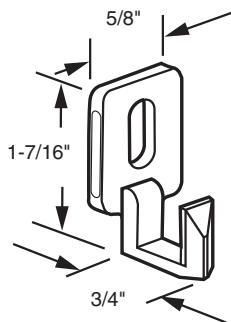


A-203

Latch Strike (Diecast)

Contents: 2 strikes; installation screws.

Description: Heavy duty; diecast strike, used by many screen door manufacturers.

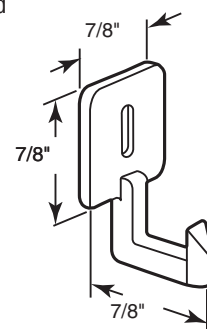


A-161

Latch Strike (Diecast)

Contents: 1 strike; installation screw.

Description: Diecast zinc; long 7/8" reach; used by *Window Master*® and others.

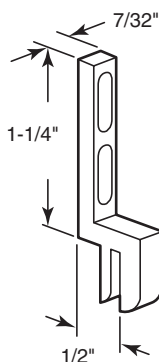


A-247

Latch Strike (Plastic)

Contents: 2 strikes; installation screws.

Description: Plastic twin post hook end; primarily used in the south eastern U.S..

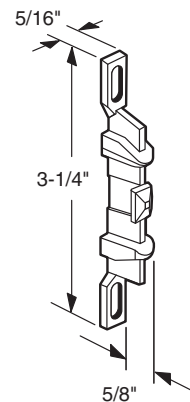


A-213

Latch Strike (Plastic)

Contents: 1 latch strike; installation screws.

Description: Black; adjustable; adhesive backing for proper placement prior to drilling jamb for screws, repair part for A-170.



A-171 (White)

Part No.	Description	Page No.	Package Quantity	Standard Pack
B-500 (Steel ball bearing)	Spring Tension Roller	4	2	6
B-501 (Nylon)	Spring Tension Roller	4	2	6
B-502 (Steel ball bearing)	Spring Tension Roller	4	2	6
B-503 (Nylon)	Spring Tension Roller	4	2	6
B-504 (Nylon)	Spring Tension Roller	4	2	6
B-505 (Steel ball bearing)	Spring Tension Roller	4	2	6
B-506 (Steel ball bearing)	Spring Tension Roller	4	2	6
B-507 (Nylon)	Spring Tension Roller	4	2	6
B-508 (Steel ball bearing)	Spring Tension Roller	4	2	6
B-509 (Nylon)	Spring Tension Roller	4	2	6
B-510 (Steel ball bearing)	Spring Tension Roller	4	2	6
B-511	Spring Tension Roller	5	2	6
B-512 (Nylon)	Spring Tension Roller	3	2	6
B-513 (Steel ball bearing)	Spring Tension Roller	3	2	6
B-514 (1" O.D.)	Spring Tension Roller	6	2	6
B-515 (Nylon - 1-1/4" O.D.)	Spring Tension Roller	5	2	6
B-516	Spring Tension Roller	5	2	6
B-517 (Nylon)	Spring Tension Roller	5	2	6
B-518 (Nylon)	Spring Tension Roller	5	2	6
B-519	Spring Tension Roller	2	2	6
B-520	Roller Assembly	8	2	6
B-521 (Nylon)	Spring Tension Roller	1	2	6
B-522 (Steel ball bearing)	Spring Tension Roller	1	2	6
B-523 (Nylon)	Spring Tension Roller	1	2	6
B-524 (Steel ball bearing)	Spring Tension Roller	1	2	6
B-525 (Nylon)	Spring Tension Roller	1	2	6
B-526 (Steel ball bearing)	Spring Tension Roller	1	2	6
B-527 (Nylon)	Spring Tension Roller	2	2	6
B-528 (Steel ball bearing)	Spring Tension Roller	2	2	6
B-529 (Nylon)	Roller Assembly	9	2	6
B-530 (Nylon)	Roller Assembly	8	2	6
B-531	Roller Assembly	12	2	6
B-532	Roller Assembly	12	2	6
B-533	Roller Assembly	12	2	6
B-534	Roller Assembly	12	2	6
B-535 (Nylon)	Roller Assembly	12	2	6
B-536 (Steel ball bearing)	Roller Assembly	12	2	6
B-537	Roller Assembly	11	2	6
B-538	Roller Assembly	11	2	6
B-539	Roller Assembly	11	2	6
B-540	Roller Assembly	11	2	6
B-541 (Nylon - 1" O.D.)	Spring Tension Roller	5	2	6
B-542	Roller Assembly	11	2	6
B-543	Roller Assembly	10	2	6
B-544	Roller Assembly	10	2	6
B-545	Bottom Guide	16	2	6
B-546	Bottom Guide	16	2	6
B-547	Roller Assembly	9	2	6
B-548	Roller Assembly	14	2	6
B-549 (Steel ball bearing)	Roller Assembly	14	2	6
B-550 (Nylon ball bearing)	Roller Assembly	14	2	6
B-551	Roller Assembly	14	2	6
B-552	Roller	14	2	6
B-553	Roller Assembly	14	2	6
B-554	Roller Assembly	14	2	6
B-555	Roller Assembly	14	2	6
B-556	Roller Assembly	15	2	6
B-557	Roller Assembly	15	2	6
B-558	Roller Assembly	15	2	6
B-559	Roller Assembly	15	2	6
B-560	Roller Assembly	15	2	6
B-561 (Steel)	Bolt Assembly	18	4	6
B-562	Top Guide	15	4	6
B-563	Top Guide	15	4	6
B-564	Top Guide	15	4	6
B-569	Corner Insert	13	2	6
B-570 (Nylon)	Spring Tension Roller	3	2	6
B-571 (Steel ball bearing)	Spring Tension Roller	3	2	6

Part No.	Description	Page No.	Package Quantity	Standard Pack
B-572 (Nylon)	Spring Tension Roller	4	2	6
B-573	Top Guide	17	4	6
B-574 (Nylon)	Spring Tension Roller	4	2	6
B-575 (Nylon)	Roller Assembly	9	2	6
B-576 (Steel ball bearing)	Spring Tension Roller	2	2	6
B-577	Spring Tension Roller	2	2	6
B-578	Roller Assembly	8	2	6
B-579 (Nylon)	Roller Assembly	10	2	6
B-580	Roller Assembly	12	2	6
B-581	Roller Assembly	12	2	6
B-582 (Nylon)	Roller Assembly	7	1	6
B-583	Roller Assembly	8	2	6
B-584	Roller Assembly	7	2	6
B-585	Roller Assembly	12	2	6
B-586	Roller Assembly	7	2	6
B-587	Roller Assembly	12	2	6
B-588	Roller Assembly	8	2	6
B-589	Top Guide	17	2	6
B-590	Bottom Guide	17	2	6
B-591	Top Guide	16	2	6
B-593	Guide	17	4	6
B-594	Bottom Guide	17	4	6
B-595	Guide	16	2	6
B-596	Bottom Guide	17	2	6
B-597	Top Guide	16	2	6
B-598	Bottom Guide	16	2	6
B-599	Top Guide	16	2	6
B-601	Bottom Guide	16	2	6
B-602	Top Guide	17	2	6
B-603	Guide	17	2	6
B-604 (Nylon)	Corner Insert	13	1	6
B-605 (Nylon ball bearing - 1" O.D.)	Roller Assembly	9	2	6
B-606	Roller Assembly	10	2	6
B-607 (Nylon)	Corner Insert	13	1	6
B-608 (Steel ball bearing)	Spring Tension Roller	5	2	6
B-609 (Nylon)	Spring Tension Roller	2	2	6
B-610 (Steel ball bearing - 1" O.D.)	Spring Tension Roller	5	2	6
B-611	Spring Tension Roller	4	2	6
B-612 (Steel ball bearing)	Roller Assembly	10	2	6
B-613 (Clear - 84")	Bug Seal	18	1	5
B-614 (Clear - 96")	Bug Seal	18	1	5
B-615 (Black - 84")	Bug Seal	18	1	5
B-616 (Black - 96")	Bug Seal	18	1	5
B-617 (Steel ball bearing)	Roller Assembly	8	2	6
B-618	Spring Tension Roller	5	2	6
B-619	Roller Assembly	11	2	6
B-620	Roller Assembly	11	2	6
B-621 (84")	Bug Seal	18	1	1
B-622	Roller Assortment	13	3 pair	6
B-623	Roller Adjustment Kit	18	4	6
B-624 (Steel ball bearing)	Roller Assembly	9	2	6
B-625	Spring Tension Roller	4	2	6
B-626	Bottom Guide	16	2	6
B-627	Roller Assembly	11	2	6
B-628	Bottom Guide	17	2	6
B-629	Roller Assembly	13	2	6
B-630	Bottom Guide	17	4	6
B-631 (Steel ball bearing)	Roller Assembly	9	2	6
B-632	Spring Tension Roller	3	2	6
B-633	Top Guide	15	4	6
B-634 (Nylon)	Spring Tension Roller	5	2	6
B-635 (Nylon)	Spring Tension Roller	1	2	6
B-636 (1-1/4" O.D.)	Spring Tension Roller	6	2	6
B-637	Spring Tension Roller	5	2	6
B-638 (Nylon)	Spring Tension Roller	3	2	6
B-639 (Steel ball bearing)	Spring Tension Roller	3	2	6
B-640 (Nylon ball bearing)	Spring Tension Roller	3	2	6
B-641 (Nylon)	Roller Assembly	6	1	6

Part No.	Description	Page No.	Package Quantity	Standard Pack
B-642	Corner Insert	13	2	6
B-643 (Nylon)	Spring Tension Roller	3	2	6
B-644 (Steel ball bearing)	Spring Tension Roller	3	2	6
B-645 (Nylon ball bearing)	Roller Assembly	7	2	6
B-646 (Nylon ball bearing)	Roller Assembly	9	2	6
B-647 (Nylon)	Roller Assembly	7	2	6
B-649 (Nylon)	Spring Tension Roller	2	2	6
B-650 (Left hand)	Corner Insert	13	1	6
B-651 (Right hand)	Corner Insert	13	1	6
B-652 (Nylon)	Roller Assembly	10	2	6
B-653	Roller	15	2	6
B-654	Spring Tension Roller	5	2	6
B-655	Spring Tension Roller	3	2	6
B-656 (Steel ball bearing)	Roller Assembly	7	2	6
B-657 (Left and Right hand)	Corner Insert	13	2	6
B-658 (96")	Bug Seal	18	1	1
B-659	Spring Tension Roller	2	2	6
B-660 (84")	Bug Seal	18	1	6
B-661 (Double spring)	Spring Tension Roller	1	2	6
B-662 (Triple spring)	Spring Tension Roller	1	2	6
B-663	Roller Assembly	7	2	6
B-664 (Nylon)	Roller Assembly	6	2	6
B-665 (Stainless steel ball bearing)	Roller Assembly	6	2	6
B-666 (Steel ball bearing)	Spring Tension Roller	1	2	6
B-668	Roller Assembly	11	2	6
B-669 (Steel ball bearing - 7/8" O.D.)	Roller Assembly	9	2	6
B-678 (Steel ball bearing)	Spring Tension Roller	4	2	6
B-679 (Steel ball bearing)	Roller Assembly	6	1	6
B-681 (Nylon)	Spring Tension Roller	2	2	6
B-682 (Steel ball bearing)	Roller Assembly	7	2	6
B-683 (Steel ball bearing)	Roller Assembly	7	2	6
B-684	Roller Assembly	9	2	6
B-685 (Nylon ball bearing)	Spring Tension Roller	1	2	6
B-686 (Nylon ball bearing)	Spring Tension Roller	2	2	6
B-687 (Nylon ball bearing)	Spring Tension Roller	3	2	6
B-688 (Nylon ball bearing)	Spring Tension Roller	3	2	6
B-689 (Steel ball bearing)	Spring Tension Roller	5	2	6
B-690 (Steel ball bearing)	Spring Tension Roller	5	2	6
B-691 (Nylon)	Roller Assembly	9	2	6
B-692	Roller Assembly	7	2	6
B-693	Corner Insert	13	1	6
B-694	Roller Assembly	7	2	6
B-695 (Steel ball bearing)	Roller Assembly	9	2	6
B-696 (Steel ball bearing)	Roller Assembly	10	2	6
B-697 (Steel ball bearing)	Roller Assembly	14	2	6
B-698 (Nylon)	Spring Tension Roller	4	2	6
B-699 (Steel ball bearing)	Spring Tension Roller	4	2	6
B-700	Adjustment Screw Pack	18	4	6
B-701 (Nylon)	Roller Assembly	6	2	6
B-702 (Steel)	Roller Assembly	6	2	6
B-703	Tension Spring	8	2	6
B-704 (Steel ball bearing)	Spring Tension Roller	2	2	6
B-705 (84")	Bug Seal	18	1	1
B-706 (Nylon)	Roller Assembly	14	2	6
B-707	Roller	14	2	1
B-708 (84")	Bug Seal	18	1	6
B-709 (Nylon)	Spring Tension Roller	1	2	6
B-710 (Nylon ball bearing)	Spring Tension Roller	1	2	6
B-711 (Steel ball bearing)	Spring Tension Roller	1	2	6
B-712	Corner Insert	12	1	6
B-713	Roller Assembly	6	2	6
B-714 (Steel ball bearing - 1-1/4" O.D.)	Spring Tension Roller	5	2	6
B-715	Roller Assembly	9	2	6
B-716 (84")	Bug Seal	18	12	1
B-717 (Steel ball bearing)	Spring Tension Roller	2	2	6
B-718 (Nylon ball bearing)	Roller Assembly	8	2	6
B-719 (Nylon ball bearing)	Roller Assembly	9	2	6
B-720 (Nylon ball bearing)	Roller Assembly	6	2	6

Part No.	Description	Page No.	Package Quantity	Standard Pack
B-721 (Nylon ball bearing)	Roller Assembly	7	2	6
B-722 (Nylon ball bearing)	Roller Assembly	7	2	6
B-723 (Nylon ball bearing)	Spring Tension Roller	2	2	6
B-724 (Nylon ball bearing)	Corner Insert	13	1	6
B-725 (Steel ball bearing)	Corner Insert	13	1	6
B-726 (Nylon ball bearing)	Corner Insert	13	1	6
B-727 (Steel ball bearing)	Corner Insert	13	1	6
B-728 (Nylon)	Spring Tension Roller	1	2	6
B-729 (Steel)	Spring Tension Roller	1	2	6
B-730	Roller Assembly	9	2	6
B-733 (Steel ball bearing)	Roller Assembly	7	2	6
B-734 (Nylon)	Roller Assembly	7	2	6
B-735 (Steel ball bearing)	Roller Assembly	7	2	6
B-736	Spring Tension Roller	6	2	6
B-737 (Steel ball bearing)	Roller Assembly	9	2	6
B-738 (Nylon)	Spring Tension Roller	3	2	6
B-739 (Steel ball bearing)	Spring Tension Roller	3	2	6
B-740 (Steel)	Roller Assembly	6	2	6
B-741 (Stainless steel)	Roller Assembly	6	2	6
B-742 (Black)	Riser Block	6	2	6
B-743	Spring Tension Roller	2	2	6
B-744	Spring Tension Roller	1	2	6
B-745	Spring Tension Roller	2	2	6
B-746 (Stainless steel ball bearing)	Spring Tension Roller	3	2	6
B-747 (Nylon)	Spring Tension Roller	3	2	6
B-748 (Stainless steel ball bearing)	Corner Insert	13	1	6
B-749 (Stainless steel ball bearing)	Corner Insert	13	1	6
B-750	Spring Tension Roller	3	2	6
B-751	Roller Assembly	9	2	6
B-752	Spring Tension Roller	5	2	6
B-753	Spring Tension Roller	1	2	6
B-754	Spring Tension Roller	1	2	6
B-755 (Stainless steel ball bearing)	Roller Assembly	9	2	6
B-756	Spring Tension Roller	3	2	6
B-757 (White)	Door Closer	19	1	6
B-758 (Nylon)	Roller Assembly	10	2	6
B-759 (Steel ball bearing)	Roller Assembly	10	2	6
B-760 (Stainless steel ball bearing)	Roller Assembly	10	2	6
B-770 (Stainless steel ball bearing)	Spring Tension Roller	3	2	6
B-771 (84")	Bug Seal	19	1	1
B-772	Roller Assembly	10	2	6
B-773	Corner Insert	13	1	6
B-774 (Stainless Steel)	Bolt Assembly	18	4	6
B-775 (Nylon)	Spring Tension Roller	2	2	6
B-777	Roller Assembly	10	2	6
B-778	Roller Assembly Kit	11	2	6
B-779 (Stainless steel ball bearing)	Spring Tension Roller	2	2	6
B-780	Top Guide	16	4	6
B-781 (Nylon)	Roller Assembly	6	2	6
B-782 (Steel ball bearing)	Roller Assembly	6	2	6
B-783	Roller Assembly	10	2	6
B-784 (Bronze)	Door Closer	19	1	6
B-785	Roller Assembly	8	2	6
B-786	Roller Assembly	6	2	6
B-787 (96")	Bug Seal	19	12	1
B-788	Roller Assembly	8	2	6
B-789	Roller Assembly	8	2	6
B-791 (96")	Bug Seal	19	1	1
B-792	Roller	14	2	6
B-793 (Nylon)	Roller Assembly	10	2	6
B-794 (Steel ball bearing)	Roller Assembly	10	2	6
B-800 (84")	Bug Seal	19	1	1
B-801 (White - 84")	Bug Seal	18	1	1
B-802 (White - 96")	Bug Seal	18	1	1
B-803	Tension Spring	8	2	6
B-808	Corner Insert	13	1	6
B-812 (Stainless steel)	Roller Assembly	9	2	6
PL-14697 (250')	Bug Seal	18	1	1

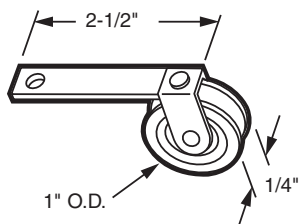
Part No.	Description	Page No.	Package Quantity	Standard Pack
PL-15535 (Satin Aluminum - Standard Duty)	Door Closer	19	1	10
PL-15536 (Bronze - Standard Duty)	Door Closer	19	1	10
PL-15537 (White - Standard Duty)	Door Closer	19	1	10
PL-15723 (Satin Aluminum - Lite Duty)	Door Closer	19	1	10
PL-15724 (Bronze - Lite Duty)	Door Closer	19	1	10
PL-15725 (White - Lite Duty)	Door Closer	19	1	10
PL-16063 (100')	Bug Seal	18	1	1
PL-16067 (100')	Bug Seal	19	1	1
PL-16160 (100')	Bug Seal	18	1	1
PL-16172 (100')	Bug Seal	18	1	1
PL-16173 (100')	Bug Seal	19	1	1
PL-16349 (100')	Bug Seal	18	1	1



Spring Tension Roller

Contents: 2 roller assemblies; installation screws.

Description: Center groove wheel; heat treated, high tension steel spring.

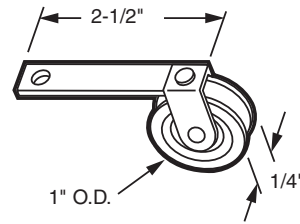


- B-521** (Nylon)
- B-522** (Steel ball bearing)
- B-685** (Nylon ball bearing)

Spring Tension Roller

Contents: 2 roller assemblies; installation screws.

Description: Stainless steel center groove wheel; heat treated, high tension stainless steel spring.

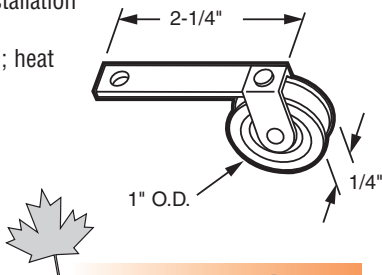


B-753

Spring Tension Roller

Contents: 2 roller assemblies; installation screws.

Description: Center groove wheel; heat treated, high tension steel spring.



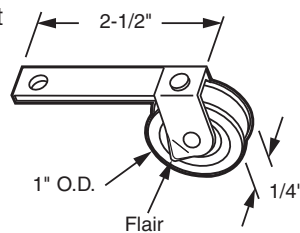
- B-709** (Nylon)
- B-710** (Nylon ball bearing)
- B-711** (Steel ball bearing)

Used primarily in Canada

Spring Tension Roller

Contents: 2 roller assemblies; installation screws.

Description: Center groove wheel; heat treated, high tension steel spring; with angle stops to prevent roller retracting too far into door frame.

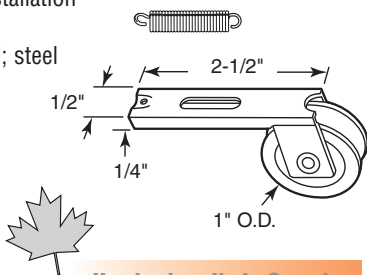


- B-635** (Nylon)
- B-666** (Steel ball bearing)

Spring Tension Roller

Contents: 2 roller assemblies; installation screws.

Description: Center groove wheel; steel bracket with coil spring.



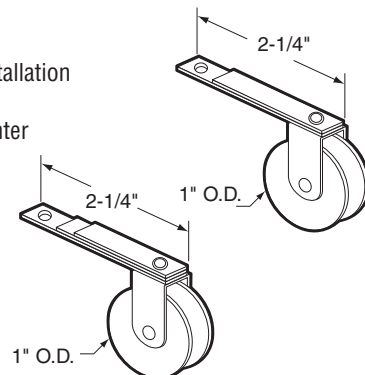
- B-728** (Nylon)
- B-729** (Steel)

Used primarily in Canada

Spring Tension Roller

Contents: 2 roller assemblies; installation screws.

Description: Nylon wheel with center groove; heat treated, high tension steel spring; uses two or three springs to increase tension; fits on doors by **Academy Mfg. Co.**



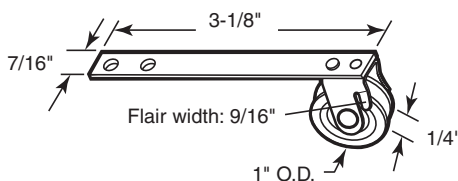
- B-661** (Double spring)
- B-662** (Triple spring)

Call For Availability

Spring Tension Roller

Contents: 1 roller assembly.

Description: Nylon center groove wheel; heat treated, high tension steel spring; used by **Andersen**.

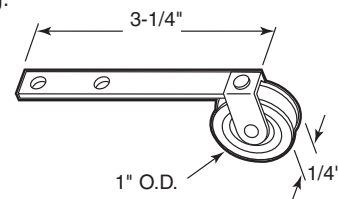


B-744

Spring Tension Roller

Contents: 2 roller assemblies; installation screws.

Description: Center groove wheel; heat treated, high tension steel spring.

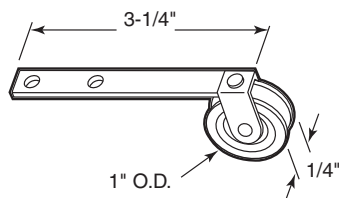


- B-523** (Nylon)
- B-524** (Steel ball bearing)

Spring Tension Roller

Contents: 2 roller assemblies; installation screws.

Description: Stainless steel ball bearing center groove wheel; heat treated, high tension stainless steel spring.

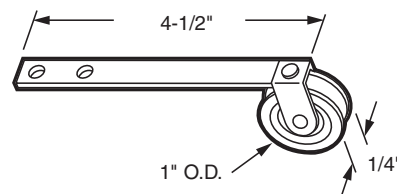


B-754

Spring Tension Roller

Contents: 2 roller assemblies; installation screws.

Description: Center groove wheel; heat treated, high tension steel spring.

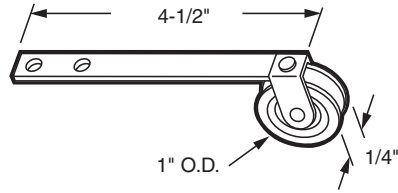


- B-525** (Nylon)
- B-526** (Steel ball bearing)

Spring Tension Roller

Contents: 2 roller assemblies; installation screws.

Description: Nylon ball bearing center groove wheel; heat treated, high tension steel spring.

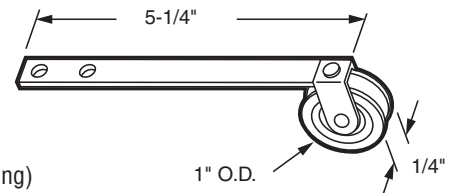


B-743

Spring Tension Roller

Contents: 2 roller assemblies; installation screws.

Description: Center groove wheel; heat treated, high tension steel spring.

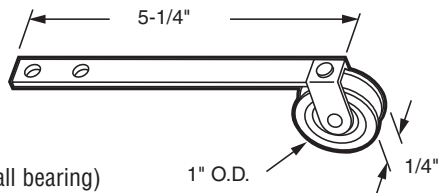


B-527 (Nylon)
B-528 (Steel ball bearing)

Spring Tension Roller

Contents: 2 roller assemblies; installation screws.

Description: Center groove wheel; heat treated, high tension stainless steel spring.

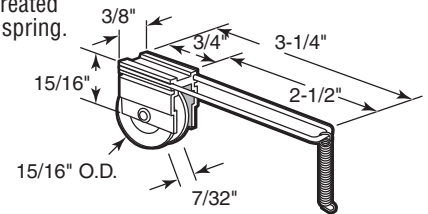


B-775 (Nylon)
B-779 (Stainless steel ball bearing)

Spring Tension Roller

Contents: 2 roller assemblies.

Description: Nylon wheel with center groove; diecast housing, heat treated steel wire loop; with extension spring.

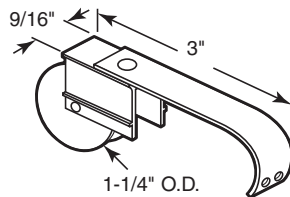


B-519

Spring Tension Roller

Contents: 2 roller assemblies.

Description: Nylon wheel with aluminum housing; heat treated, high tension steel spring; fits on "old style" *Peachtree*® doors.

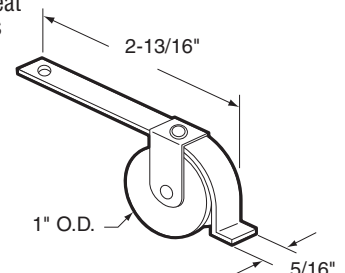


B-659

Spring Tension Roller

Contents: 2 roller assemblies.

Description: Center groove wheel; heat treated, high tension steel spring; fits on doors by *Academy Mfg. Co.*®.

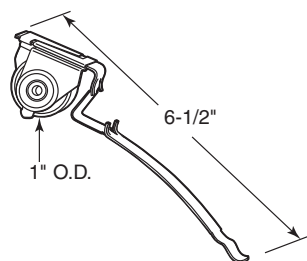


B-681 (Nylon)
B-717 (Steel ball bearing)

Spring Tension Roller

Contents: 1 roller assembly.

Description: Center groove nylon wheel; heat treated tension spring; fits *Andersen*® doors.

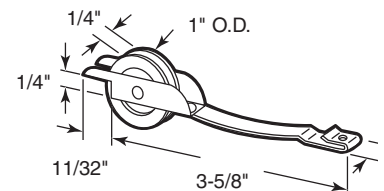


B-745

Spring Tension Roller

Contents: 2 roller assemblies.

Description: Center groove wheel with steel housing; high tension steel spring; fits on *Columbia Uni-fit*® doors.

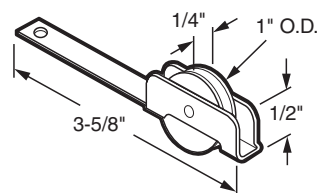


B-649 (Nylon)
B-723 (Nylon ball bearing)
B-704 (Steel ball bearing)

Spring Tension Roller

Contents: 2 roller assemblies; installation screws.

Description: Nylon wheel with center groove; heat treated, high tension steel spring; one piece spring and housing.

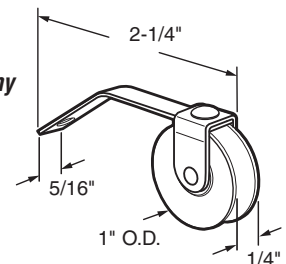


B-577

Spring Tension Roller

Contents: 2 roller assemblies; installation screws.

Description: Center groove wheel; heat treated, high tension steel spring; bent spring design; fits on doors by *Academy Mfg. Co.*®.

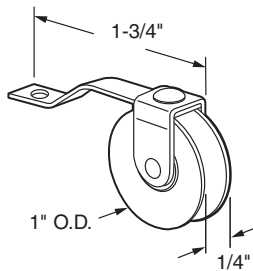


B-609 (Nylon)
B-686 (Nylon ball bearing)
B-576 (Steel ball bearing)

Spring Tension Roller

Contents: 2 roller assemblies; installation screws.

Description: Center groove wheel; heat treated, high tension steel spring.

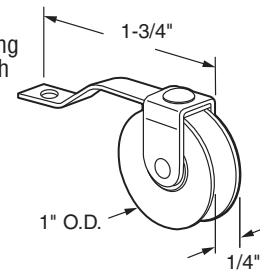


- B-638** (Nylon)
- B-687** (Nylon ball bearing)
- B-639** (Steel ball bearing)

Spring Tension Roller

Contents: 2 roller assemblies; installation screws.

Description: Stainless steel ball bearing center groove wheel; heat treated, high tension stainless steel spring.

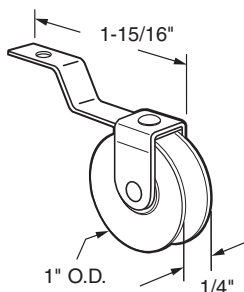


B-756

Spring Tension Roller

Contents: 2 roller assemblies; installation screws.

Description: Steel ball bearing wheel with center groove; heat treated, inverted high tension steel spring.

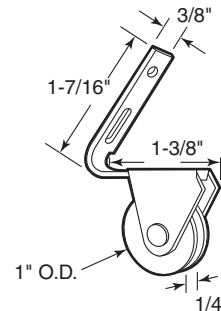


- B-738** (Nylon)
- B-739** (Steel ball bearing)

Spring Tension Roller

Contents: 2 roller assemblies; installation screws.

Description: Nylon wheel with center groove; steel housing; heat treated, high tension steel spring; fits on doors by *Arcadia*®.

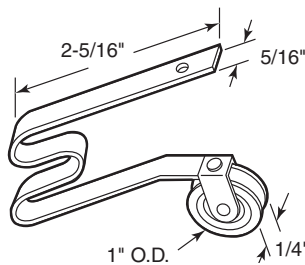


B-655

Spring Tension Roller

Contents: 2 roller assemblies.

Description: Adjustable, center groove wheel; heat treated, high tension steel spring; used by several patio door manufacturers.

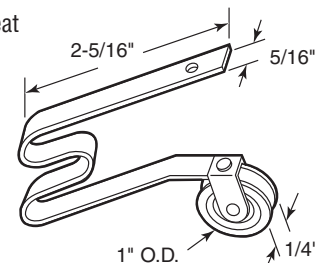


- B-512** (Nylon)
- B-640** (Nylon ball bearing)
- B-513** (Steel ball bearing)
- B-770** (Stainless steel ball bearing)

Spring Tension Roller

Contents: 2 roller assemblies.

Description: Center groove wheel; heat treated, high tension stainless steel spring.

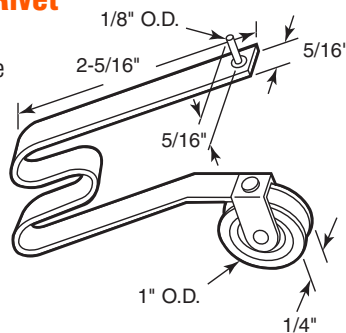


- B-747** (Nylon)
- B-746** (Stainless steel ball bearing)

Spring Tension Roller with Rivet

Contents: 2 roller assemblies.

Description: Adjustable, center groove wheel; heat treated, high tension steel spring; 1/8" locator pin holds roller in fixed position; used by several patio door manufacturers.

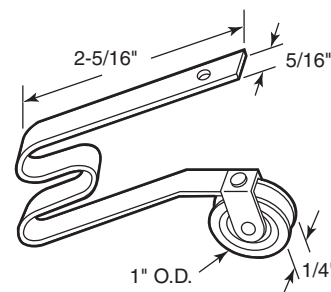
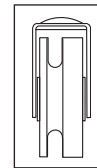


- B-643** (Nylon)
- B-644** (Steel ball bearing)

Spring Tension Roller

Contents: 2 roller assemblies (1 left and 1 right).

Description: Nylon wheel with offset groove; adjustable; heat treated, high tension steel spring.

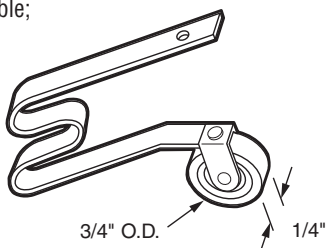
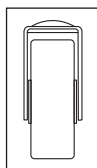


B-632

Spring Tension Roller

Contents: 2 roller assemblies.

Description: Flat nylon wheel; adjustable; heat treated, high tension steel spring.

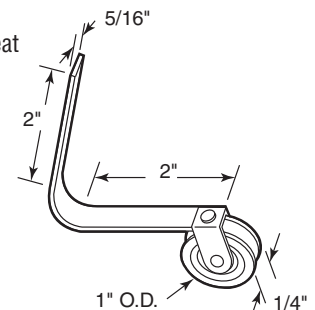


B-750

Spring Tension Roller

Contents: 2 roller assemblies.

Description: Center groove wheel; heat treated, high tension steel spring.

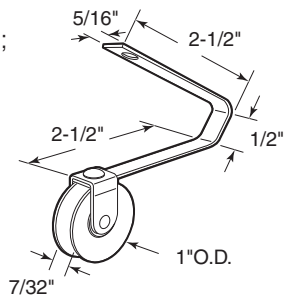


- B-570** (Nylon)
- B-688** (Nylon ball bearing)
- B-571** (Steel ball bearing)

Spring Tension Roller

Contents: 2 roller assemblies.

Description: Center groove wheel; heat treated, high tension steel spring.

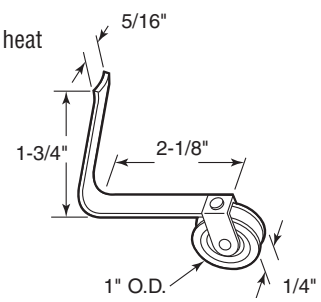


B-698 (Nylon)
B-699 (Steel ball bearing)

Spring Tension Roller

Contents: 2 roller assemblies.

Description: Center groove wheel; heat treated, high tension steel spring.

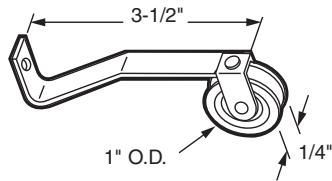


B-504 (Nylon)
B-505 (Steel ball bearing)

Spring Tension Roller

Contents: 2 roller assemblies; installation screws.

Description: Center groove wheel; heat treated, high tension steel spring.

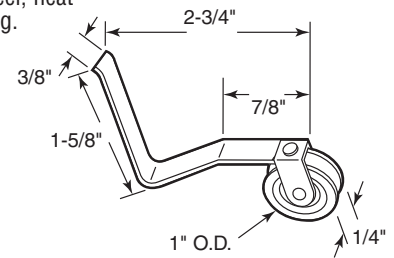


B-572 (Nylon)
B-506 (Steel ball bearing)

Spring Tension Roller

Contents: 2 roller assemblies.

Description: Center groove wheel; heat treated, high tension steel spring.

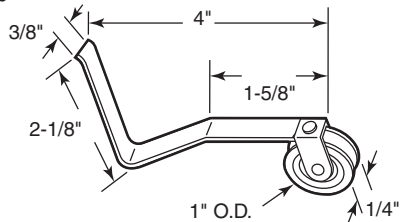


B-509 (Nylon)
B-510 (Steel ball bearing)

Spring Tension Roller

Contents: 2 roller assemblies.

Description: Center groove wheel; heat treated, high tension steel spring.

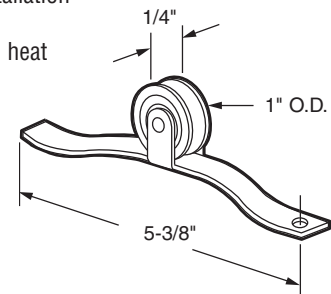


B-507 (Nylon)
B-508 (Steel ball bearing)

Spring Tension Roller

Contents: 2 roller assemblies; installation screws.

Description: Center groove wheel; heat treated, high tension steel spring.

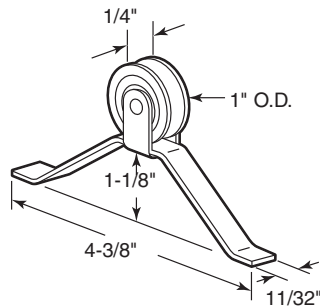


B-574 (Nylon)
B-500 (Steel ball bearing)

Spring Tension Roller

Contents: 2 roller assemblies.

Description: Center groove wheel; heat treated, high tension steel spring.

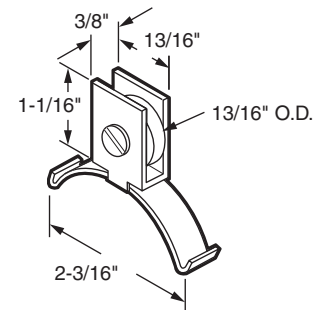


B-501 (Nylon)
B-502 (Steel ball bearing)

Spring Tension Roller

Contents: 2 roller assemblies.

Description: Flat nylon wheel, nylon housing; high tension steel spring; aluminum axle; can be used as a top or bottom roller on **Croft**® doors.

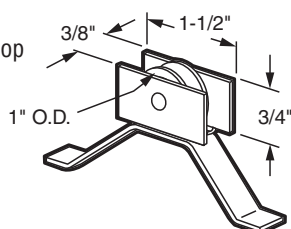


B-625

Spring Tension Roller

Contents: 2 roller assemblies.

Description: Center groove wheel; aluminum housing; heat-treated, high tension steel spring; can be used as a top or bottom roller; fits on **Keller**® doors.

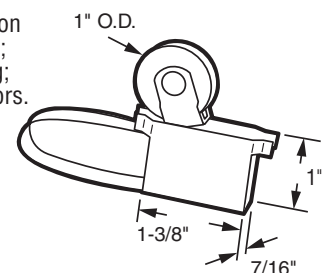


B-503 (Nylon)
B-678 (Steel ball bearing)

Spring Tension Roller

Contents: 2 roller assemblies.

Description: Steel roller housing, nylon ball bearing wheel with center groove; heat treated, high tension steel spring; fits as a top roller on **Better-Bilt**® doors.

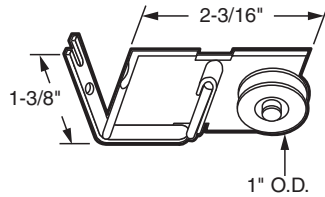


B-611

Spring Tension Roller

Contents: 2 roller assemblies; installation screws.

Description: Extruded aluminum housing, with steel spring; center groove wheel; fits on *International*® series No. 900, 925, 950 doors.

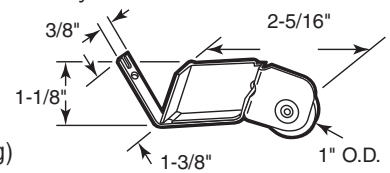


B-517 (Nylon)
B-689 (Steel ball bearing)

Spring Tension Roller

Contents: 2 roller assemblies; installation screws.

Description: Stamped aluminum housing, with steel spring; center groove wheel; fits on *International*® series No. 900, 925, 950 doors; newer style.

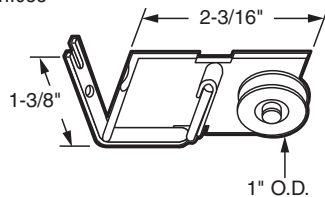


B-634 (Nylon)
B-690 (Steel ball bearing)

Spring Tension Roller

Contents: 2 roller assemblies; installation screws.

Description: Stainless steel housing, with stainless steel spring; adjustable stainless steel ball bearing wheel with center groove.

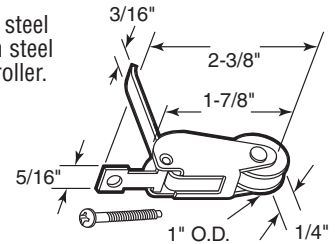


B-752

Spring Tension Roller

Contents: 2 roller assemblies; installation screws.

Description: Center groove wheel; steel housing; heat-treated, high tension steel spring; used as a top and bottom roller.

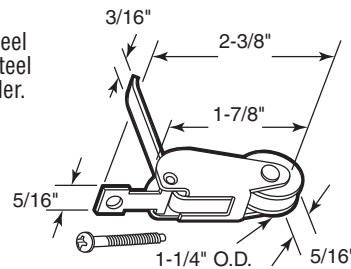


B-518 (Nylon)
B-608 (Steel ball bearing)

Spring Tension Roller

Contents: 2 roller assemblies; installation screws.

Description: Center groove wheel; steel housing; heat-treated, high tension steel spring; used as a top and bottom roller.



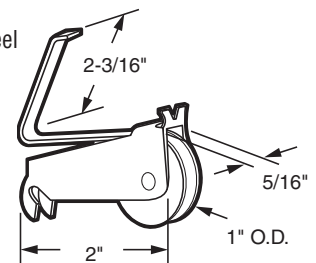
B-654

Spring Tension Roller

Contents: 2 roller assemblies.

Description: Nylon wheel with center groove, steel housing, high tension steel spring.

Call For Availability

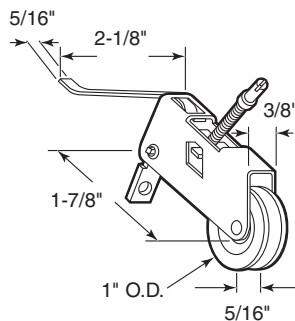


B-637

Spring Tension Roller

Contents: 2 roller assemblies.

Description: Nylon wheel with center groove; steel housing; heat treated, high tension steel spring.



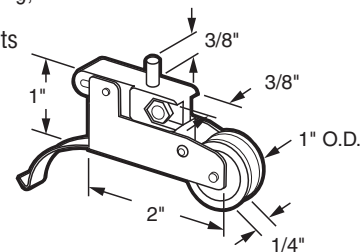
B-516

Spring Tension Roller

Contents: 2 roller assemblies.

Description: Galvanized steel housing, nylon roller, nylon swivel mounting bracket, high tension steel spring fits on doors by *Ador/HiLite*®.

Call For Availability

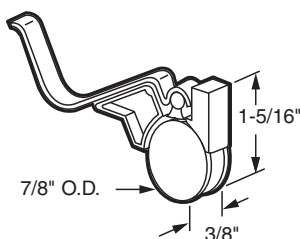


B-618

Spring Tension Roller

Contents: 2 roller assemblies.

Description: Nylon wheel and housing with center groove; heat treated, high tension steel spring.



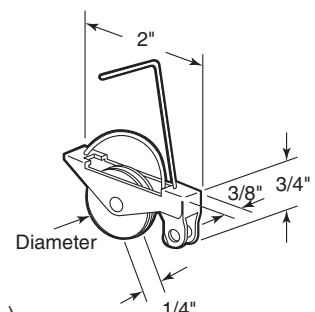
B-511

Spring Tension Roller

Contents: 2 roller assemblies.

Description: Center groove wheel; used as a top and bottom roller.

Related Parts: B-569

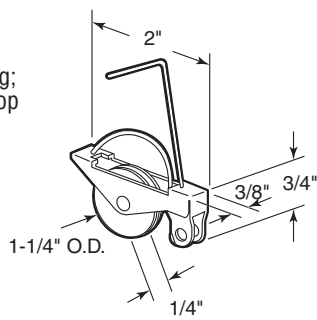


B-541 (Nylon - 1" O.D.)
B-515 (Nylon - 1-1/4" O.D.)
B-610 (Steel ball bearing - 1" O.D.)
B-714 (Steel ball bearing - 1-1/4" O.D.)

Spring Tension Roller

Contents: 2 roller assemblies.

Description: Corrosion resistant stainless steel housing and spring; center groove wheel; used as a top and bottom roller.

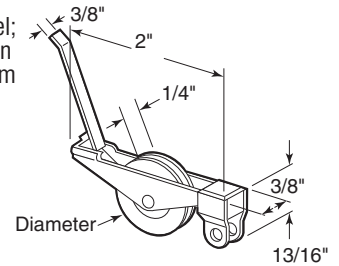


B-736

Spring Tension Roller

Contents: 2 roller assemblies.

Description: Center groove nylon wheel; steel housing; heat treated, high tension steel flat spring; used as top and bottom roller.



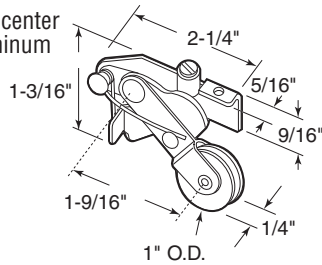
B-514 (1" O.D.)

B-636 (1-1/4" O.D.)

Roller Assembly

Contents: 1 roller assembly; installation screws.

Description: Aluminum housing; center groove wheel; spring loaded aluminum sleeve with adjustment screw.



B-641 (Nylon)

B-720 (Nylon ball bearing)

B-679 (Steel ball bearing)

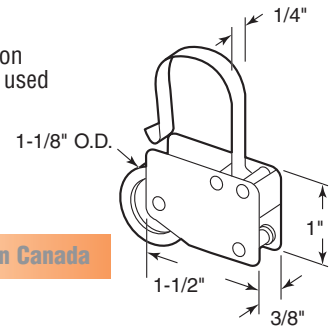
Roller Assembly

Contents: 2 roller assemblies.

Description: Diecast housing; nylon center groove wheel; this roller is used with B-712 corner.



Used primarily in Canada

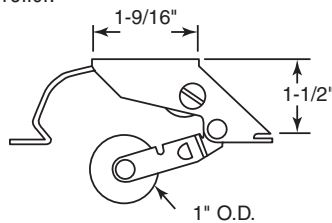


B-713

Roller Assembly

Contents: 2 roller assemblies.

Description: Adjustable screen door roller assembly; steel ball bearing roller.

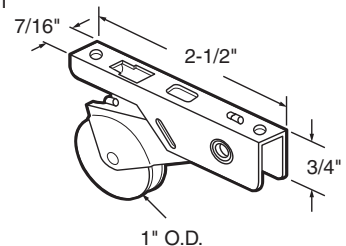


B-786

Roller Assembly

Contents: 2 roller assemblies.

Description: Steel housing; center grooved wheel; spring loaded; fits on doors made by *Metal Industries*®.



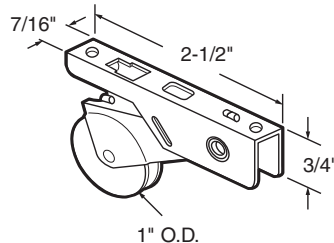
B-781 (Nylon)

B-782 (Steel ball bearing)

Roller Assembly

Contents: 2 roller assemblies.

Description: Stainless steel housing; center grooved wheel; spring loaded; fits on doors made by *Metal Industries*®.



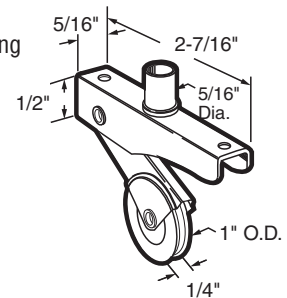
B-664 (Nylon)

B-665 (Stainless steel ball bearing)

Roller Assembly

Contents: 2 roller assemblies.

Description: Spring loaded, steel housing with top adjusting screw; fits on doors made by *Bay-Mills*® and other door manufacturers.



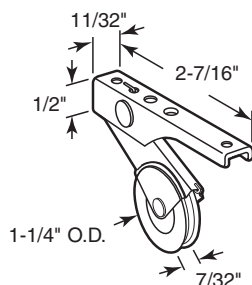
B-701 (Nylon)

B-702 (Steel)

Roller Assembly

Contents: 2 roller assemblies.

Description: Spring loaded, steel housing with top adjusting screw; fits on doors made by *Bay-Mills*® and others.



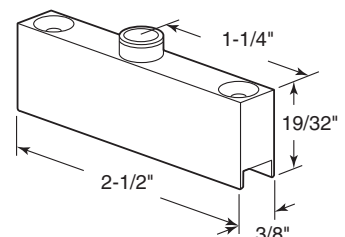
B-740 (Steel)

B-741 (Stainless steel)

Riser Block

Contents: 2 roller assemblies; installation screws.

Description: Sliding screen door riser block used to shim sliding screen door roller housings; works with B-664, B-665, B-701, B-702, B-740, and B-741.

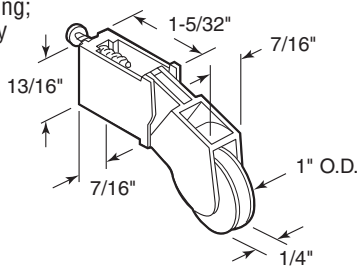


B-742 (Black)

Roller Assembly

Contents: 2 roller assemblies; installation screws.

Description: Adjustable, nylon housing; center groove wheel; fits on doors by **Peachtree®**; this roller fits the same door as B-656 (steel housing).

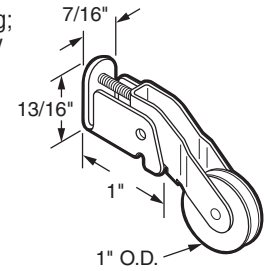


B-645 (Nylon ball bearing)
B-683 (Steel ball bearing)

Roller Assembly

Contents: 2 roller assemblies; installation screws.

Description: Adjustable steel housing; center groove wheel; fits on doors by **Peachtree®**; this roller fits the same door as B-645 (nylon housing).

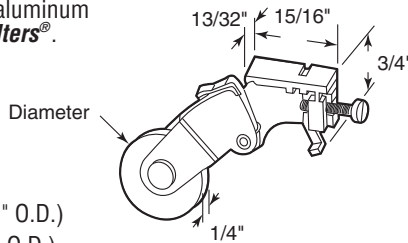


B-721 (Nylon ball bearing)
B-656 (Steel ball bearing)

Roller Assembly

Contents: 2 roller assemblies.

Description: Nylon housing; center groove wheel; with adjustable aluminum yoke; fits on doors by **Jim Walters®**.

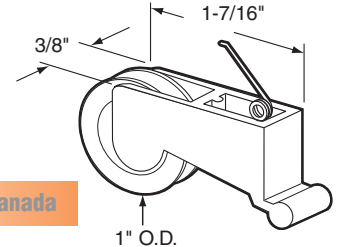


B-647 (Nylon - 15/16" O.D.)
B-722 (Nylon ball bearing - 1" O.D.)
B-682 (Steel ball bearing - 1" O.D.)

Roller Assembly

Contents: 2 roller assemblies.

Description: Nylon housing with center groove nylon wheel; steel spring.



B-692

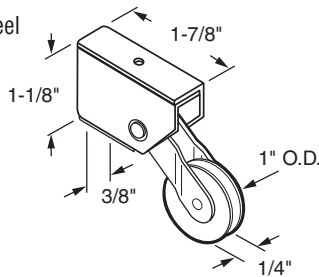
Used primarily in Canada

Roller Assembly

Contents: 2 roller assemblies.

Description: Center groove wheel; steel housing; adjustable tension.

Call For Availability

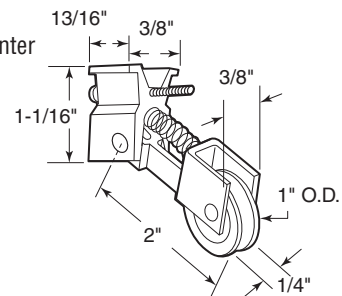


B-734 (Nylon)
B-735 (Steel ball bearing)

Roller Assembly

Contents: 2 roller assemblies.

Description: Extruded aluminum housing, nylon wheel with narrow center groove; with adjusting screw; fits on **Miller®** screen doors.

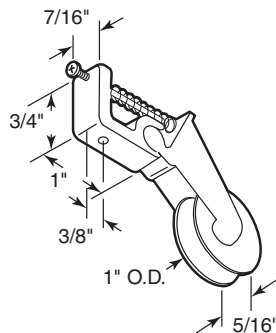


B-586

Roller Assembly

Contents: 1 roller assembly.

Description: Extruded aluminum housing with adjustment screw; nylon yoke; center groove wheel.

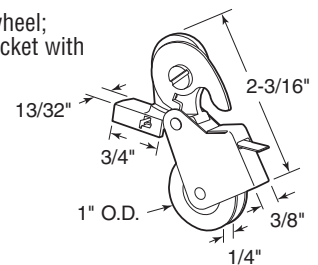


B-582 (Nylon)
B-733 (Steel ball bearing)

Roller Assembly

Contents: 2 roller assemblies, 1 left and 1 right.

Description: Steel ball bearing wheel; adjustable die cast mounting bracket with stamped steel housing.

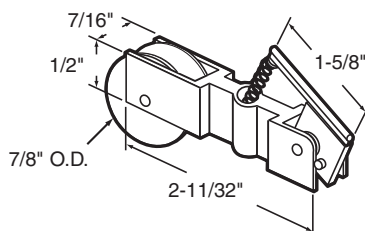


B-663

Roller Assembly

Contents: 2 roller assemblies.

Description: Nylon housing; with center grooved nylon wheel; fits on **Ozark®** and **Chrysler®** doors.

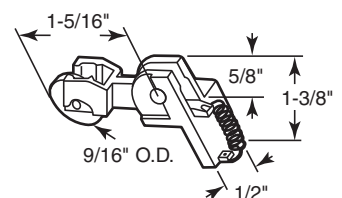


B-694

Roller Assembly

Contents: 2 roller assemblies, 1 left and 1 right.

Description: Nylon housing with nylon wheel; spring loaded; 1 left and 1 right hand roller; used on **Howard®** screen doors.

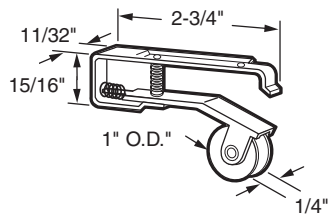


B-584

Roller Assembly

Contents: 2 roller assemblies; installation screws.

Description: Aluminum housing with stainless steel spring; nylon wheel with center groove; built-in screw adjustment feature; used by many door manufacturers.

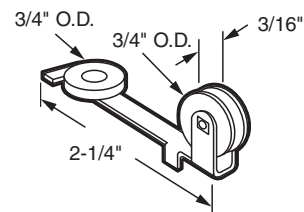


B-578

Roller Assembly

Contents: 2 roller assemblies.

Description: Nylon wheel with center groove; nylon guide roller; heat treated, high tension steel flat spring; fits as a top roller on *Arcadia*® screen doors.

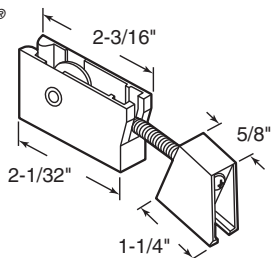


B-520

Roller Assembly

Contents: 2 roller assemblies.

Description: Screen door roller assembly; fits *Baltimore Thermal*® doors.

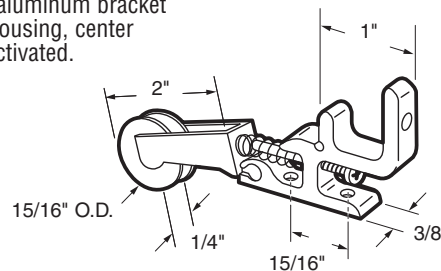


B-785

Roller Assembly

Contents: 2 roller assemblies.

Description: Extruded aluminum bracket with nylon wheel and housing, center groove wheel, spring activated.

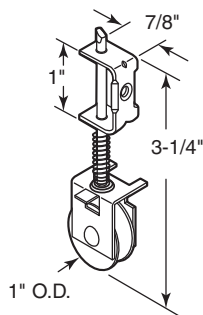


B-583

Roller Assembly

Contents: 2 roller assemblies.

Description: Steel housing with nylon wheel; spring activated; fits on doors by *Crossly*®.

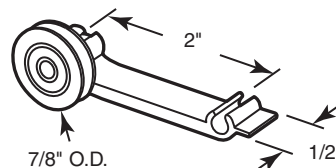


B-588

Roller Assembly

Contents: 2 roller assemblies, 1 left and 1 right.

Description: Extruded aluminum housing; steel ball bearing roller; fits *Kawneer*® doors; used in top position.

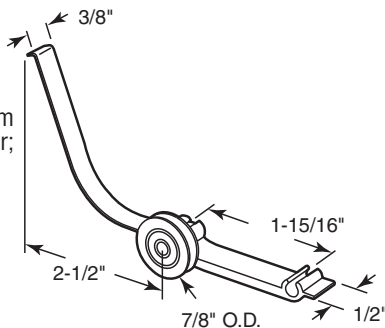


B-788

Roller Assembly

Contents: 2 roller assemblies, 1 left and 1 right.

Description: Extruded aluminum housing; steel ball bearing roller; heat treated, high tension steel spring; fits *Kawneer*® doors; used in bottom position.

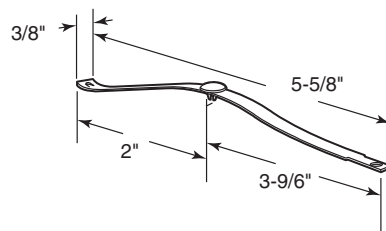


B-789

Tension Spring

Contents: 2 springs.

Description: Top mounted heat treated, high tension steel spring with nylon glide button.

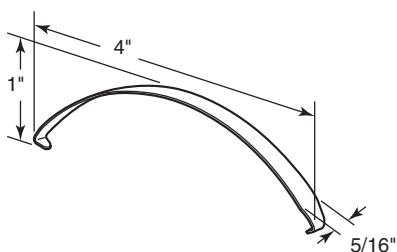


B-703

Tension Spring

Contents: 2 springs.

Description: Heat treated high tension steel spring; used as a top tension guide; fits *Andersen*® doors.

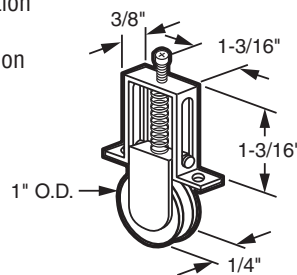


B-803

Roller Assembly

Contents: 2 roller assemblies; installation screws.

Description: Aluminum frame with nylon inner housing; center grooved wheel.

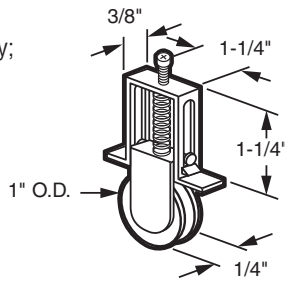


- B-530** (Nylon)
- B-718** (Nylon ball bearing)
- B-617** (Steel ball bearing)

Roller Assembly

Contents: 2 roller assemblies.

Description: Nylon main frame assembly; nylon inner housing with center groove wheel.

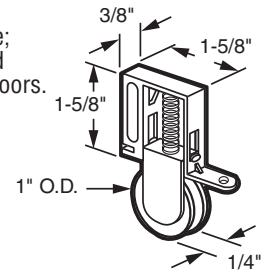


- B-575** (Nylon)
- B-719** (Nylon ball bearing)
- B-631** (Steel ball bearing)
- B-755** (Stainless steel ball bearing)

Roller Assembly

Contents: 2 roller assemblies; installation screws.

Description: Nylon housing and yoke; center groove wheel; used as top and bottom roller on **Academy Uni-fit®** doors.

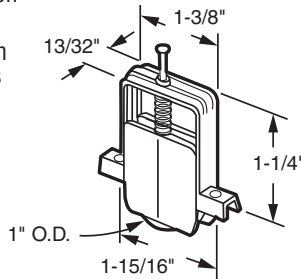


- B-529** (Nylon)
- B-624** (Steel ball bearing)

Roller Assembly

Contents: 2 roller assemblies; installation screws.

Description: Center groove wheel; nylon housing with adjustable nylon yoke; has thicker housing than B-691.

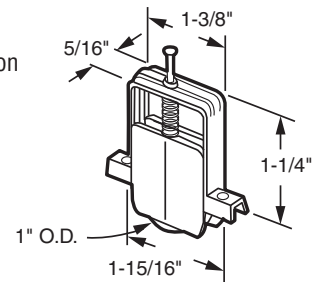


- B-646** (Nylon ball bearing)
- B-737** (Steel ball bearing)

Roller Assembly

Contents: 2 roller assemblies; installation screws.

Description: Center groove wheel; has thinner nylon housing than B-646; fits on doors by **Columbia®**.

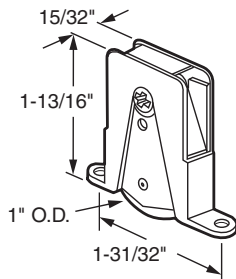


- B-691** (Nylon)
- B-695** (Steel ball bearing)
- B-812** (Stainless steel)

Roller Assembly

Contents: 2 roller assemblies; installation screws.

Description: Nylon outer housing, aluminum inner housing with nylon center grooved wheel; fits **Andersen®** doors.

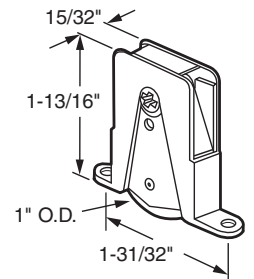


B-684

Roller Assembly

Contents: 2 roller assemblies; installation screws.

Description: Nylon outer housing; stainless steel inner housing with center grooved stainless steel ball bearing wheel; fits **Andersen®** doors.

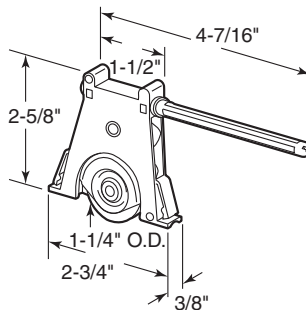


B-751

Roller Assembly

Contents: 1 roller assembly.

Description: Plastic assembly with aluminum inner housing; nylon roller; attached adjustment screw; fits **Andersen®** doors.

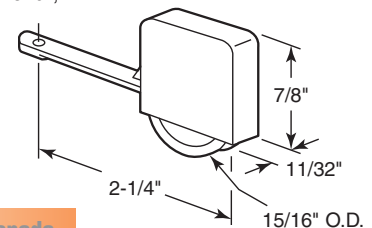


B-715

Roller Assembly

Contents: 2 roller assemblies.

Description: Center groove nylon roller; nylon housing.



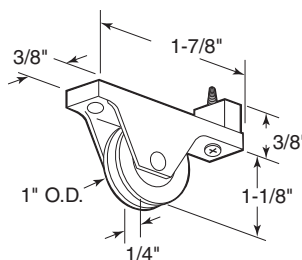
B-730

Used primarily in Canada

Roller Assembly

Contents: 2 roller assemblies; installation screws.

Description: Nylon housing with center groove, steel ball bearing wheel; bottom mount.

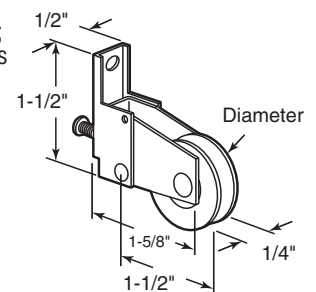


B-547

Roller Assembly

Contents: 2 roller assemblies.

Description: Adjustable, steel housing; center groove wheel; spring loaded; fits on doors made by **Pacesetter®**.



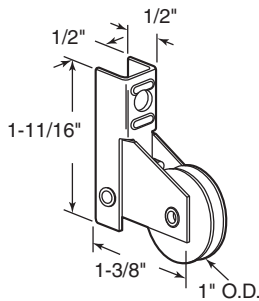
- B-605** (Nylon ball bearing - 1" O.D.)
- B-669** (Steel ball bearing - 7/8" O.D.)

Roller Assembly

Contents: 2 roller assemblies.

Description: Steel housing with nylon wheel; spring loaded; fits on doors made by *Peachtree*[®].

Call For Availability

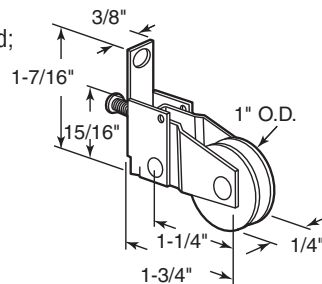


B-606

Roller Assembly

Contents: 2 roller assemblies.

Description: Nylon ball bearing roller; adjustable steel housing; spring loaded; fits on doors made by *Moss*[®].

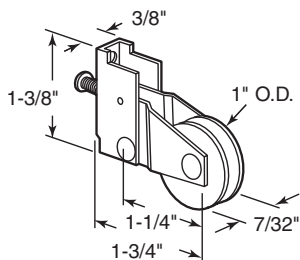


B-777

Roller Assembly

Contents: 2 roller assemblies.

Description: Nylon ball bearing roller; adjustable steel housing; spring loaded.

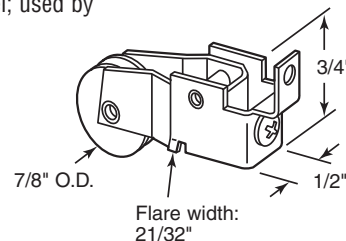


B-772

Roller Assembly

Contents: 2 roller assemblies.

Description: Adjustable steel housing assembly; center grooved wheel; used by several door manufacturers.

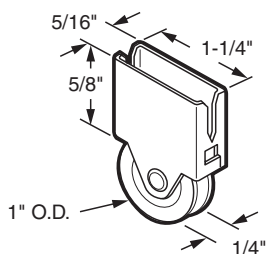


B-793 (Nylon)
B-794 (Steel ball bearing)

Roller Assembly

Contents: 2 roller assemblies.

Description: Stamped steel housing; grooved wheel; fits *Columbia*[®] doors.



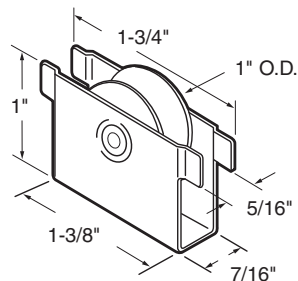
B-652 (Nylon)
B-696 (Steel ball bearing)

Roller Assembly

Contents: 2 roller assemblies.

Description: Steel housing; center groove wheel; bottom roller on *Empire*[®] and *Better-Bilt*[®] adjustable sliding screen doors.

Related Part: B-611

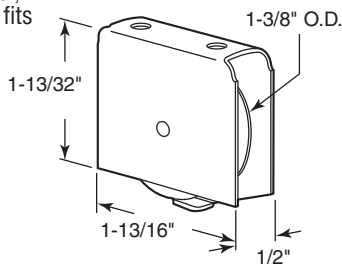


B-579 (Nylon)
B-612 (Steel ball bearing)

Roller Assembly

Contents: 2 roller assemblies.

Description: Wide groove nylon wheel; zinc plated steel housing; brass axle; fits *Pella*[®] screen doors.



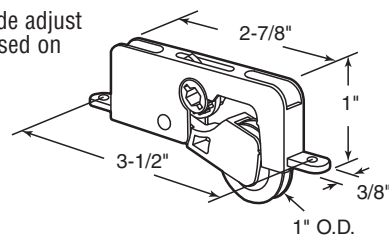
B-783

Roller Assembly

Contents: 2 roller assemblies; installation screws.

Description: Nylon housing; side adjust feature; center groove wheel; used on vinyl sliding screen doors.

Call For Availability

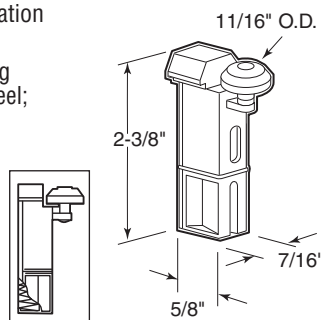


B-758 (Nylon)
B-759 (Steel ball bearing)
B-760 (Stainless steel ball bearing)

Roller Assembly

Contents: 2 roller assemblies; installation screws.

Description: Top hung; nylon housing with oval edge nylon ball bearing wheel; built-in guide; fits on *HiLite*[®] doors.

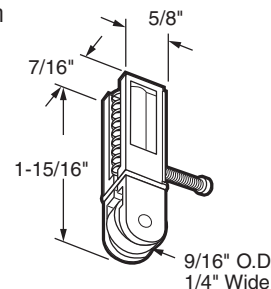


B-543

Roller Assembly

Contents: 2 roller assemblies; installation screws.

Description: Bottom mount; nylon bracket with flat edge, nylon wheel; fits on *HiLite*[®] doors.



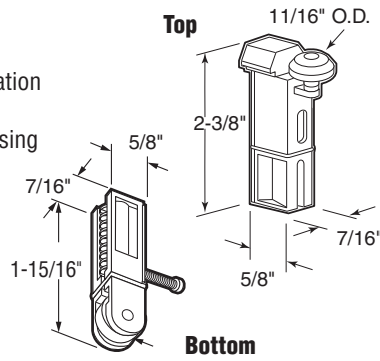
B-544

Roller Assembly Kit

Contents: 2 top roller assemblies; 2 bottom roller assemblies; installation screws.

Description: Top roller: Nylon housing with oval edge nylon ball bearing wheel; built-in guide; fits on *HiLite*® doors.

Bottom roller: Nylon bracket with flat edge, nylon wheel; fits on *HiLite*® doors.

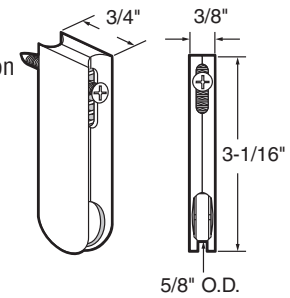


B-778

Roller Assembly

Contents: 2 roller assemblies; installation screws.

Description: Nylon housing and flat nylon wheel; with steel spring; fits on *Weathershield*® doors.



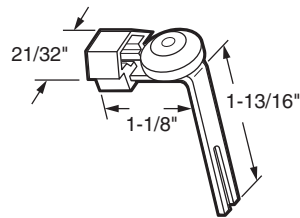
B-668

Roller Assembly

Contents: 2 roller assemblies; installation screws.

Description: Top hung; steel bracket with oval edge nylon ball bearing wheel; with nylon guide; fits on *Ador / HiLite*® doors.

Call For Availability

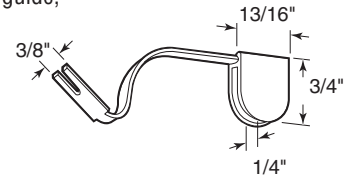


B-619

Roller Assembly

Contents: 2 roller assemblies.

Description: Bottom mount; heat treated, high tension steel spring; nylon guide; fits on *Ador / HiLite*® doors.

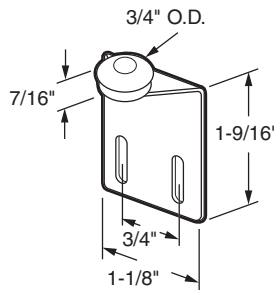


B-620

Roller Assembly

Contents: 2 roller assemblies; installation screws.

Description: Top hung; steel bracket with cone-shaped nylon wheel; fits on *HiLite*® old style doors.

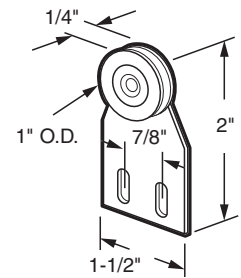


B-542

Roller Assembly

Contents: 2 roller assemblies; installation screws.

Description: Top hung; aluminum bracket, steel ball bearing wheel with center groove; fits on *Fullview*® doors.



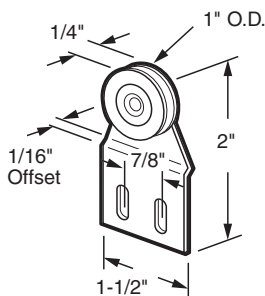
B-537

Roller Assembly

Contents: 2 roller assemblies; installation screws.

Description: Top hung; 1/16" offset aluminum bracket, steel ball bearing wheel with center groove.

Call For Availability

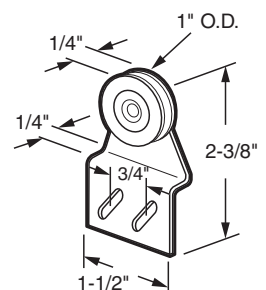


B-538

Roller Assembly

Contents: 2 roller assemblies; installation screws.

Description: Top hung; 1/4" offset steel bracket, steel ball bearing wheel with wide center groove; fits on *Ador "Z"* doors.

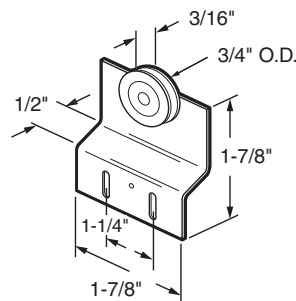
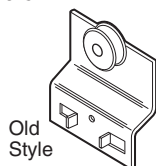


B-539

Roller Assembly

Contents: 2 roller assemblies; installation screws.

Description: Top hung; aluminum bracket, center groove wheel; new style without tabs on bracket will replace old style; fits on *Couples*® doors.

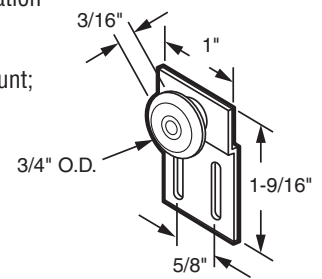


B-540

Roller Assembly

Contents: 2 roller assemblies; installation screws.

Description: Aluminum bracket, oval edge nylon wheel 3/16" wide; top mount; fits on *Croft*® old style doors.



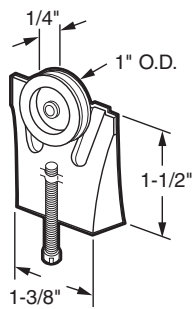
B-627

Roller Assembly

Contents: 2 roller assemblies.

Description: Top hung; adjustable; steel bracket with center groove wheel; fits on *Ador*® doors.

Call For Availability



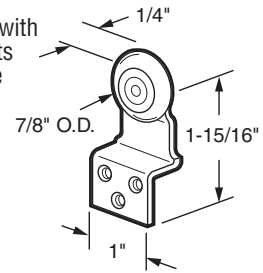
B-535 (Nylon)

B-536 (Steel ball bearing)

Roller Assembly

Contents: 2 roller assemblies; installation screws.

Description: Top hung; steel bracket with oval edge nylon ball bearing wheel; fits on *Arcadia*® & *Saurenman*® old style steel and aluminum screen doors.

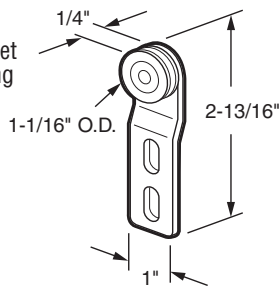


B-531

Roller Assembly

Contents: 2 roller assemblies; installation screws.

Description: Top hung; steel bracket with center groove steel ball bearing wheel; fits on *Premier*® doors.

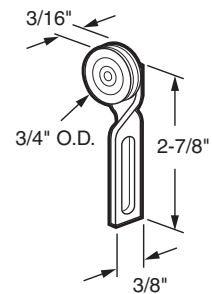


B-533

Roller Assembly

Contents: 2 roller assemblies; installation screws.

Description: Top hung; steel bracket with center groove steel ball bearing wheel; fits on *Hollyview*® doors.

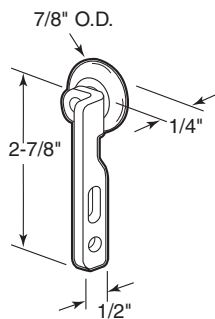


B-534

Roller Assembly

Contents: 2 roller assemblies, 1 left and 1 right; installation screws.

Description: Top hung; steel bracket with oval edge nylon ball bearing wheel; used on old style wood sliding screen doors.

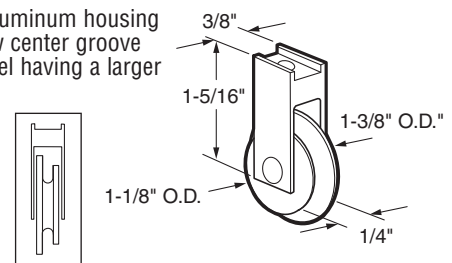


B-532

Roller Assembly

Contents: 2 roller assemblies; installation screws.

Description: Extruded aluminum housing with nylon wheel; narrow center groove with one side of the wheel having a larger diameter than the other.



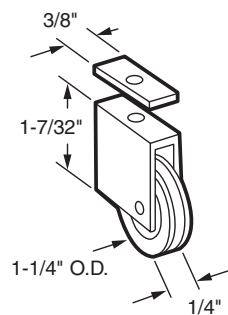
B-587

Roller Assembly

Contents: 2 roller assemblies; installation screws.

Description: Extruded aluminum housing with top support plate; nylon wheel with narrow center groove; fits on *Daryl PM*® doors.

Call For Availability

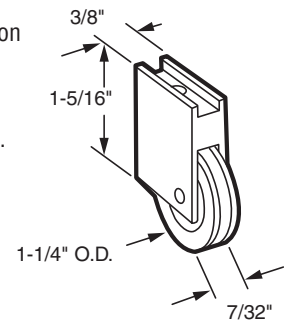


B-580

Roller Assembly

Contents: 2 roller assemblies; installation screws.

Description: Extruded aluminum housing; nylon wheel with narrow center groove; fits on *Daryl PM*® doors.



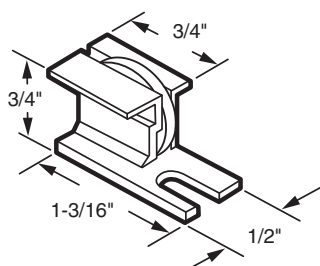
B-581

Roller Assembly

Contents: 2 roller assemblies, 1 left and 1 right.

Description: Nylon housing with 1/8" thick, 3/4" diameter flat nylon wheel; fits on *Howard*® doors.

Call For Availability



B-585

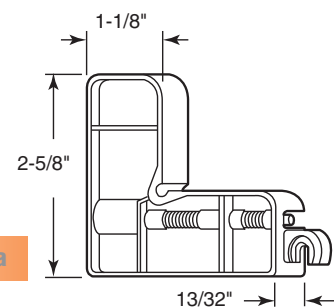
Corner Insert

Contents: 2 corner inserts.

Description: Diecast corner with adjustment screw; fits *Monar*® screen doors; fits B-713 roller.



Used primarily in Canada

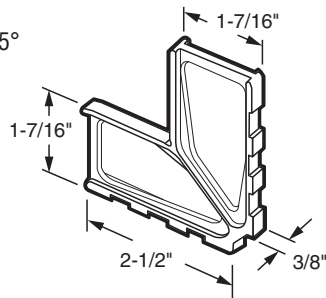


B-712

Corner Insert

Contents: 2 corner inserts.

Description: Diecast plain finish; for 45° miter cut door design; used by many door manufacturers.



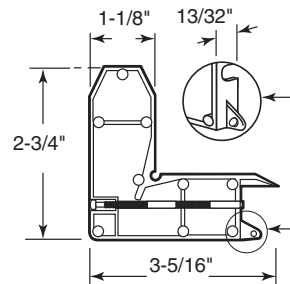
Call For Availability

B-642

Corner Insert

Contents: 2 corner inserts.

Description: Diecast corner with adjustment screw; for 45° miter cut door design; fits B-515 style rollers used by many door manufacturers.

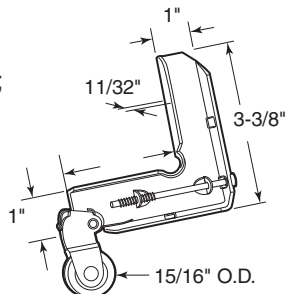


B-569

Corner Insert

Contents: 1 corner insert.

Description: Screen door corner assembly with center groove nylon roller; adjustable tension; used by **Acorn Industries®**.

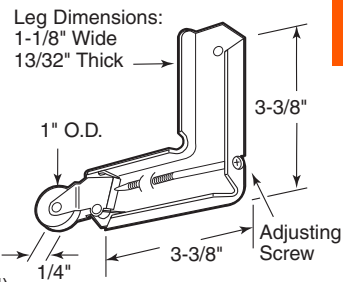


B-693

Corner Insert

Contents: 1 corner insert.

Description: Stamped aluminum corner; center groove wheel; adjusting screw; fits on doors by **Jim Walters®**.

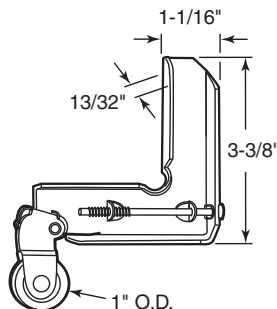


- B-604** (Nylon wheel)
- B-724** (Nylon ball bearing wheel)
- B-725** (Steel ball bearing wheel)
- B-748** (Stainless steel ball bearing wheel)

Corner Insert

Contents: 1 corner insert.

Description: Stamped steel corner housing; zinc plated finish; with center groove wheel; spring activated; adjusting screw; fits on doors by **Metal Industries®**.



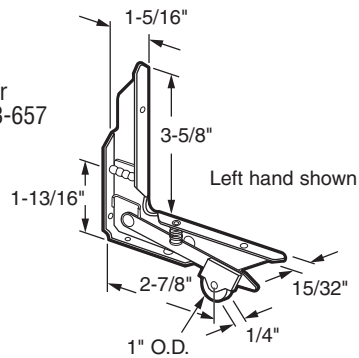
- B-607** (Nylon wheel)
- B-726** (Nylon ball bearing wheel)
- B-727** (Steel ball bearing wheel)
- B-749** (Stainless steel ball bearing wheel)

Corner Insert

Contents: 1 corner insert.

Description: Stamped steel corner housing with nylon wheel. Note: B-657 contains 1 pair (left & right).

Call For Availability

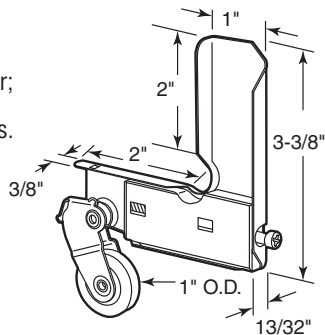


- B-650** (Left hand)
- B-651** (Right hand)
- B-657** (Left and Right hand)

Corner Insert

Contents: 1 corner insert.

Description: Stamped aluminum corner; center groove wheel; adjusting screw; used on old **Jim Walters®** screen doors.



B-773

Corner Insert

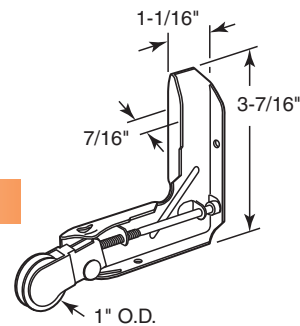
Contents: 1 corner insert.

Description: Stamped steel corner housing; zinc plated finish; with center groove nylon wheel; spring activated; adjusting screw.



Call For Availability

Used primarily in Canada

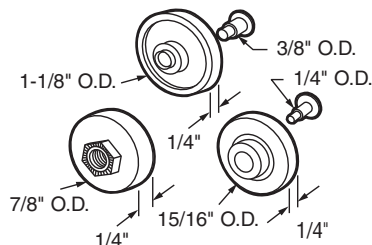


B-808

Roller Assortment

Contents: 3 pairs of rollers.

Description: 2 each 7/8" flat edge nylon ball bearing wheels with threaded inner race and machine screws; 2 each 15/16" flat edge nylon wheels with steel; rivet; 2 each 1-1/8" flat edge nylon wheels with aluminum rivet.

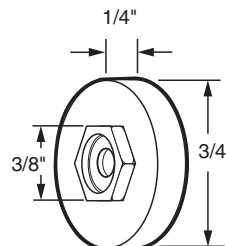


B-622

Roller Assembly

Contents: 2 rollers; with fasteners.

Description: Threaded hex hub; 3/4" flat nylon ball bearing wheel; fits **Croft®** and **Keller®** doors.

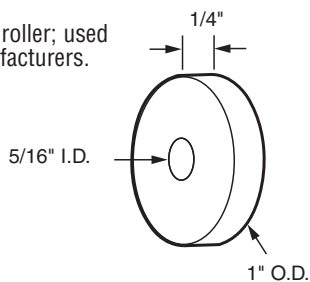


B-629

Roller

Contents: 2 rollers.

Description: Flat edge nylon roller; used by several screen door manufacturers.

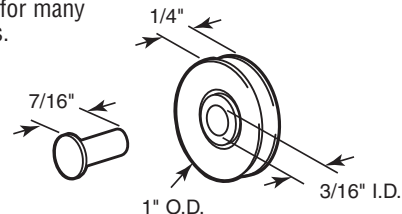


B-792

Roller Assembly

Contents: 2 rollers; 2 rivets.

Description: Center groove wheel; aluminum rivet; repair wheel for many screen door roller assemblies.



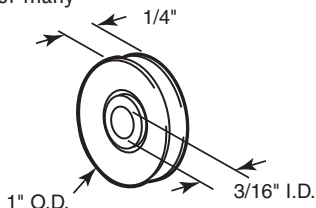
B-706 (Nylon)

B-697 (Steel ball bearing)

Roller

Contents: 2 rollers.

Description: Nylon ball bearing wheel with center groove; repair part for many screen door roller assemblies.

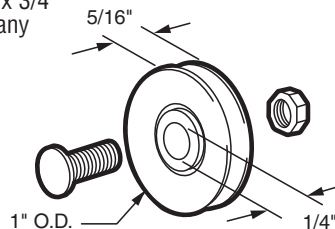


B-707

Roller Assembly

Contents: 2 rollers; with fasteners.

Description: Steel ball bearing roller; with 1/4 inch hole; center grooved; 1/4-20 x 3/4 inch carriage bolt with nut; used by many door manufacturers.

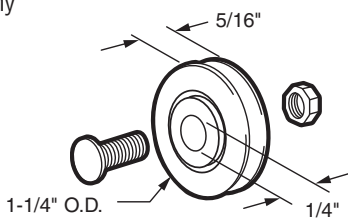


B-548

Roller Assembly

Contents: 2 rollers; with fasteners.

Description: Ball bearing roller with 1/4 inch hole; center grooved; 1/4-20 x 3/4 inch carriage bolt with nut; used by many door manufacturers.



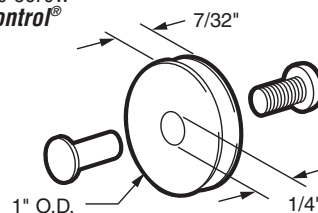
B-550 (Nylon ball bearing)

B-549 (Steel ball bearing)

Roller Assembly

Contents: 2 rollers; with fasteners.

Description: Nylon wheel with narrow center groove; 8-32 x 3/8 inch machine screw with binder post nut; fits on *Air Control*® doors.

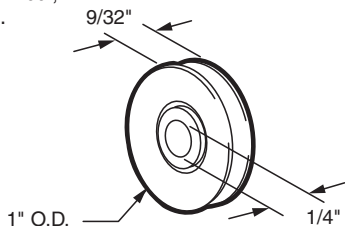


B-551

Roller

Contents: 2 rollers.

Description: Nylon center groove wheel; used by many door manufacturers.

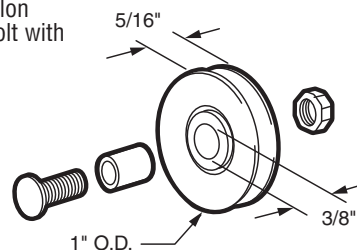


B-552

Roller Assembly

Contents: 2 rollers; with fasteners.

Description: Nylon wheel with nylon bushing; 1/4-20 x 3/4 inch carriage bolt with nut.

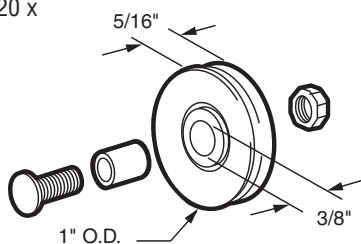
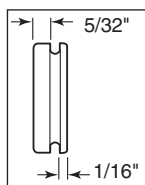


B-553

Roller Assembly

Contents: 2 rollers; with fasteners.

Description: Nylon wheel with narrow offset groove; steel bushing; 1/4-20 x 3/4 inch carriage bolt with nut.

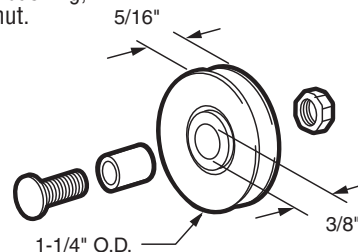


B-554

Roller Assembly

Contents: 2 rollers; with fasteners.

Description: Nylon wheel; nylon bushing; 1/4-20 x 3/4 inch carriage bolt with nut.

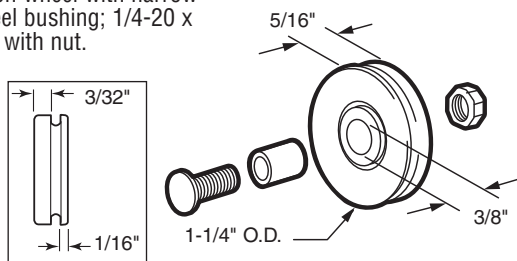


B-555

Roller Assembly

Contents: 2 rollers; with fasteners.

Description: Nylon wheel with narrow offset groove; steel bushing; 1/4-20 x 3/4" carriage bolt with nut.

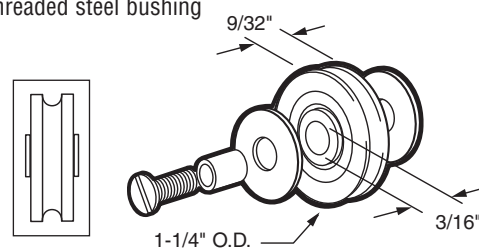


B-556

Roller Assembly

Contents: 2 rollers; with fasteners.

Description: Nylon wheel; nylon spacer washers; 8-32 threaded steel bushing and screw.

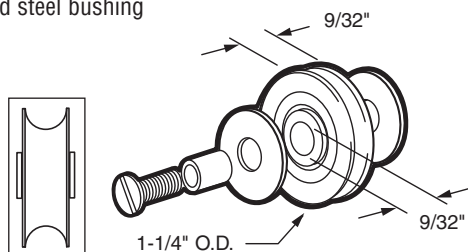


B-557

Roller Assembly

Contents: 2 rollers; with fasteners.

Description: Nylon wheel; nylon spacer washers; 8-32 threaded steel bushing and screw.

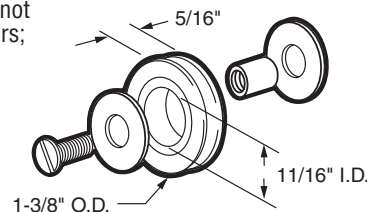


B-558

Roller Assembly

Contents: 2 roller assemblies; with fasteners, nylon spacers.

Description: Nylon wheel with wide center groove; spring loaded (not included); nylon spacer washers; threaded insert and screw.

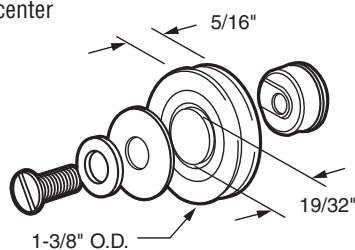


B-559

Roller Assembly

Contents: 2 rollers; with fasteners.

Description: Nylon wheel with aluminum 8-32 internally threaded hub; wide center groove; fits on *Arcadia*® doors.

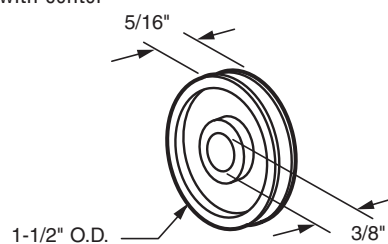


B-560

Roller

Contents: 2 rollers.

Description: Nylon wheel; with center groove; bottom mount.

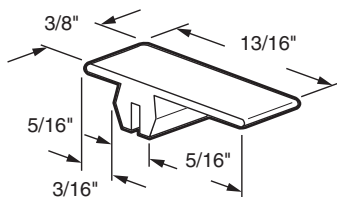


B-653

Top Guide

Contents: 4 guides.

Description: Nylon guide and anti-rattle device; used by many door manufacturers.

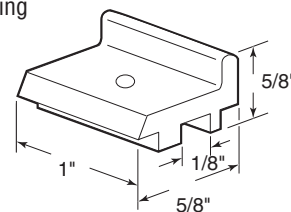


B-562

Top Guide

Contents: 4 guides; with fasteners.

Description: Plastic guide; with attaching screw; fits on *Mayfair*® doors.

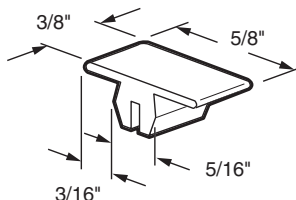


B-563

Top Guide

Contents: 2 guides.

Description: Plastic guide and anti-rattle device; used by many door manufacturers.

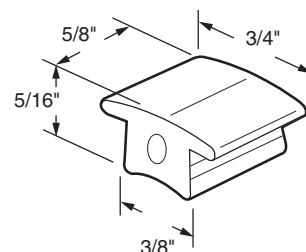


B-564

Top Guide

Contents: 4 guides.

Description: Vinyl guide; fits on screen doors as a top guide and anti-rattle device.

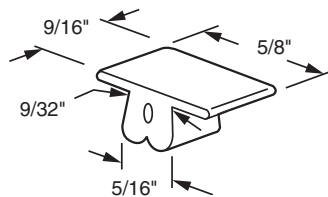


B-633

Top Guide

Contents: 4 guides.

Description: Plastic top guide; acts as a guide and anti-rattle device.

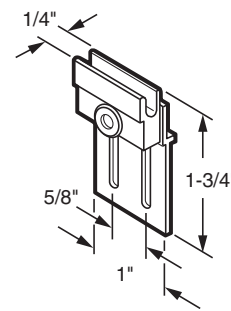


B-780

Bottom Guide

Contents: 2 guides; installation screws.

Description: Aluminum bracket with nylon guide; bottom mount; fits on **Croff**® old style doors.

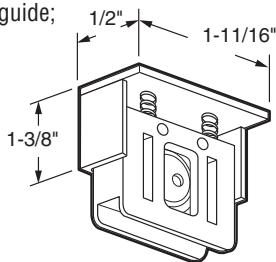


B-626

Bottom Guide

Contents: 2 guides; installation screws.

Description: Bottom mount; aluminum housing with nylon spring loaded guide; fits on **Ador "Z"**® doors.

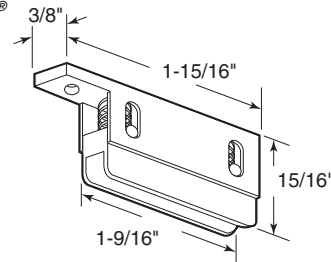


B-546

Bottom Guide

Contents: 2 guides; installation screws.

Description: Nylon spring loaded assembly; bottom mount; fits on **Ador**® doors.

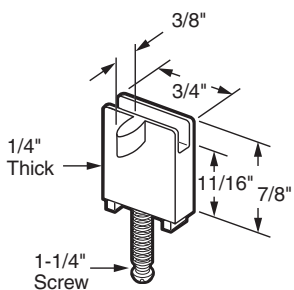


B-545

Bottom Guide

Contents: 2 guides.

Description: Nylon bottom guide with adjustment spring and screw; fits on **Tucker**® doors.

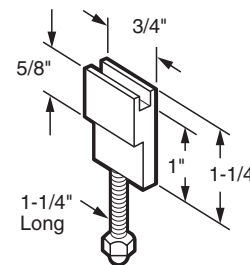


B-598

Bottom Guide

Contents: 2 guides.

Description: Nylon bottom guide with spring and cap nut.

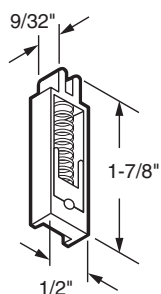


B-601

Top Guide

Contents: 2 guides.

Description: Nylon guide with adjustment spring; fits on **Daryl PRI**® doors.



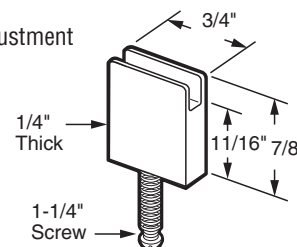
B-591

Top Guide

Contents: 2 guides; with springs and adjustment screws.

Description: Nylon guide with adjustment spring; fits on **Daryl PRI**® doors.

***Call For Availability**



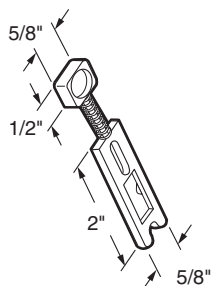
B-597

Guide

Contents: 2 guides.

Description: Nylon guide fits on **Tucker**® doors.

Call For Availability

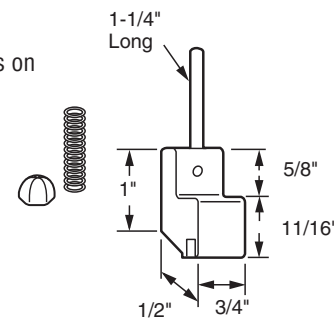


B-595

Top Guide

Contents: 2 guides.

Description: Nylon top guides; fits on **Pan Am**® doors.

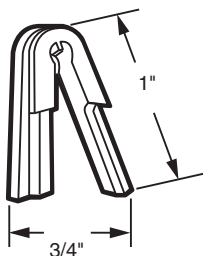


B-599

Guide

Contents: 2 guides.

Description: Nylon guide; fits on *Miller*® doors.

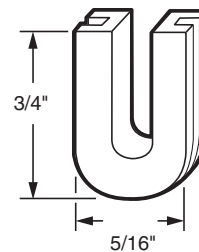


B-593

Bottom Guide

Contents: 4 guides.

Description: Nylon guide; fits on *Daryl*® doors.

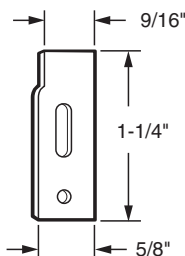


B-594

Bottom Guide

Contents: 2 guides.

Description: Nylon guide; fits on *Tucker*® doors.

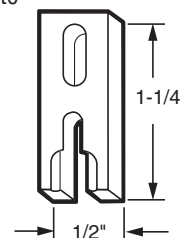


B-596

Guide

Contents: 2 guides.

Description: Nylon track guide used to prevent wear on door frame.

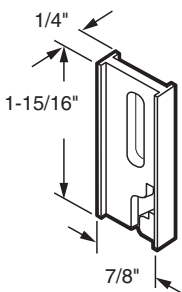


B-603

Bottom Guide

Contents: 2 guides.

Description: Nylon bottom guide; fits on *Crossly*® doors.

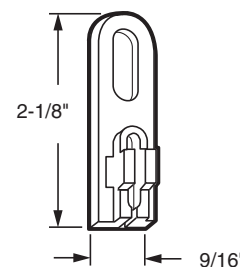


B-590

Top Guide

Contents: 2 guides.

Description: Nylon track guide; fits on *Crossly*® doors.

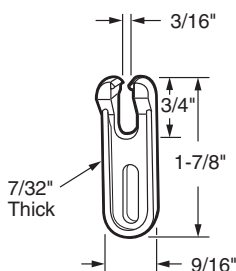


B-602

Top Guide

Contents: 2 guides.

Description: Nylon track guide; fits on *Crossly*® doors.

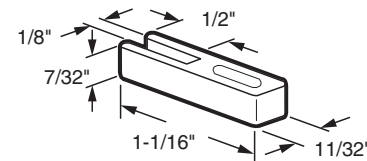


B-589

Top Guide

Contents: 4 guides; with fasteners.

Description: Nylon track guide; adjustable; used by many door manufacturers.

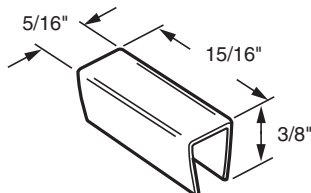


B-573

Bottom Guide

Contents: 4 guides.

Description: Clear plastic bottom track guide; prevents excessive wear on door frame; fits on doors by *Keller Industries*.



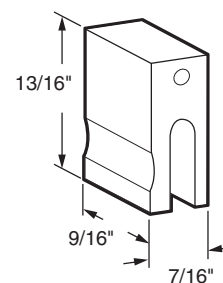
B-630

Bottom Guide

Contents: 2 guides; installation screws.

Description: Rigid vinyl guide; bottom mount; fits on *Croft*® series 701 and 702 doors.

Call For Availability

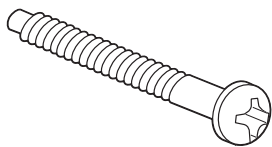


B-628

Adjustment Screw Pack

Contents: 4 screws.

Description: 8-32 x 1-1/4" Phillips Pan machine screws; adjustment screws for spring tension rollers; used on B-516, B-518, B-608, and B-654.

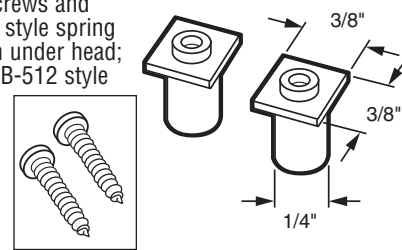


B-700

Roller Adjustment Kit

Contents: 4 nylon sleeves; with fasteners.

Description: Adjustment screws and nylon sleeves fit on *Anjac*® style spring tension rollers; 7/16" length under head; most commonly used with B-512 style rollers.

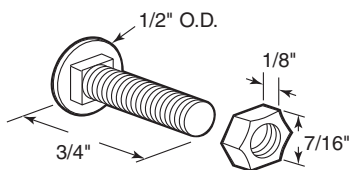


B-623

Bolt Assembly

Contents: 4 - 1/4"-20 x 3/4" flat head carriage bolts; with hex nuts.

Description: Used with most bottom mount rollers having a 1/4" inside diameter.



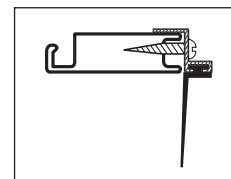
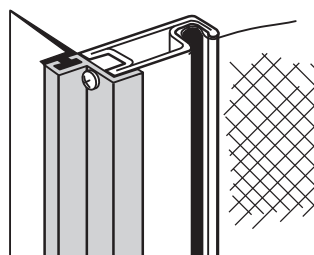
B-561 (Steel)

B-774 (Stainless Steel)

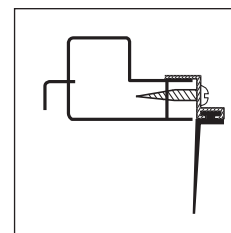
Universal Bug Seal

Contents: 5 each per master box.

Description: Anodized aluminum molding; 1-1/4" wide vinyl flap is segmented into 1/4" strips you can tear to desired size; pre-punched for screws.



Typical installation on roll-formed door.



Typical installation on extruded door.

B-613 (Clear - 84")

B-614 (Clear - 96")

B-615 (Black - 84")

B-616 (Black - 96")

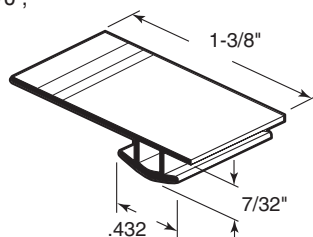
B-801 (White - 84")

B-802 (White - 96")

Screen Door Bug Seal

Contents: 1 strip of vinyl.

Description: Black vinyl flap has tear strips to adjust width from 7/8" to 1-3/8"; flexible; seals against insects.



B-621 (84")

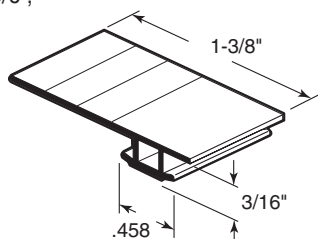
B-658 (96")

PL-14697 (250')

Screen Door Bug Seal

Contents: 1 strip of vinyl.

Description: Black vinyl flap has tear strips to adjust width from 7/8" to 1-3/8"; flexible; seals against insects.



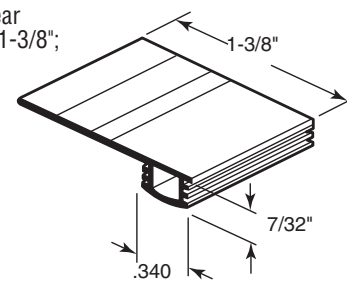
B-660 (84")

PL-16172 (100')

Screen Door Bug Seal

Contents: 1 strip of vinyl.

Description: Black vinyl flap has tear strips to adjust width from 3/4" to 1-3/8"; flexible; seals against insects.



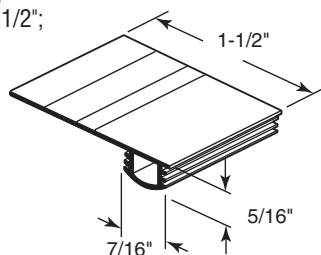
B-705 (84")

PL-16063 (100')

Screen Door Bug Seal

Contents: 1 strip of vinyl.

Description: Black vinyl flap has tear strips to adjust width from 7/8" to 1-1/2"; flexible; seals against insects.



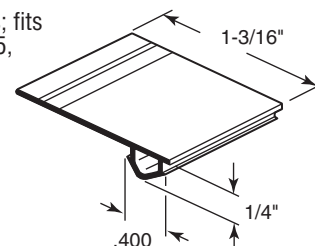
B-716 (84")

PL-16349 (100')

Screen Door Bug Seal

Contents: 1 strip of vinyl.

Description: Black vinyl flap has tear strips to adjust width from 9/16" to 1-3/16"; flexible; seals against insects; fits *International*® on series No. 900, 925, 950, doors.



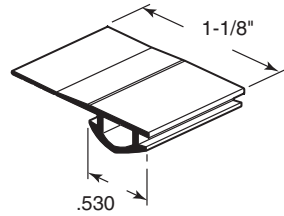
B-708 (84")

PL-16160 (100')

Screen Door Bug Seal

Contents: 1 strip of vinyl.

Description: Black vinyl flap has tear strips to adjust width from 3/4" to 1 1/8"; flexible, seals against insects.

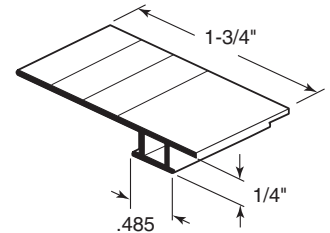


B-771 (84")
PL-16173 (100')

Screen Door Bug Seal

Contents: 1 strip of vinyl.

Description: Black vinyl flap has tear strips to adjust width from 1" to 1-3/4"; flexible, seals against insects.

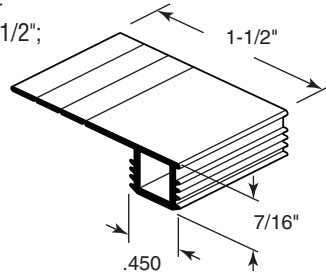


B-791 (96")
PL-16067 (100')

Screen Door Bug Seal

Contents: 1 strip of vinyl.

Description: Black vinyl flap has tear strips to adjust width from 7/8" to 1-1/2"; flexible, seals against insects.

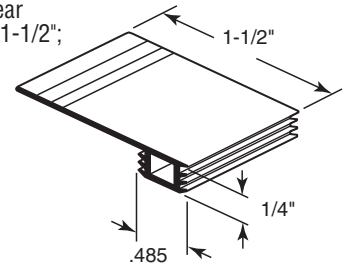


B-800 (84")

Screen Door Bug Seal

Contents: 1 strip of vinyl.

Description: Black vinyl flap has tear strips to adjust width from 7/8" to 1-1/2"; flexible, seals against insects.



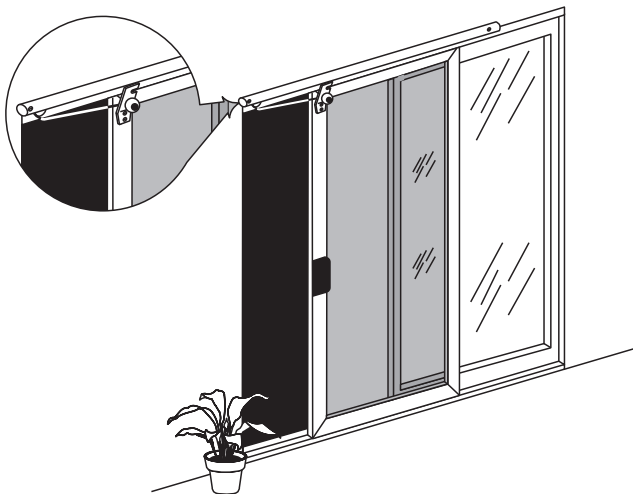
B-787 (96")

Door Closer

Contents: 1 closer; installation screws.

Description: Closes screen doors automatically; reliable and durable; helps keep out flies, moths, mosquitoes, etc; fully adjustable tension and closing speed; paintable aluminum construction; supplied with 2—1-1/4" nylon ball bearing rollers to replace rollers on doors that do not roll freely.

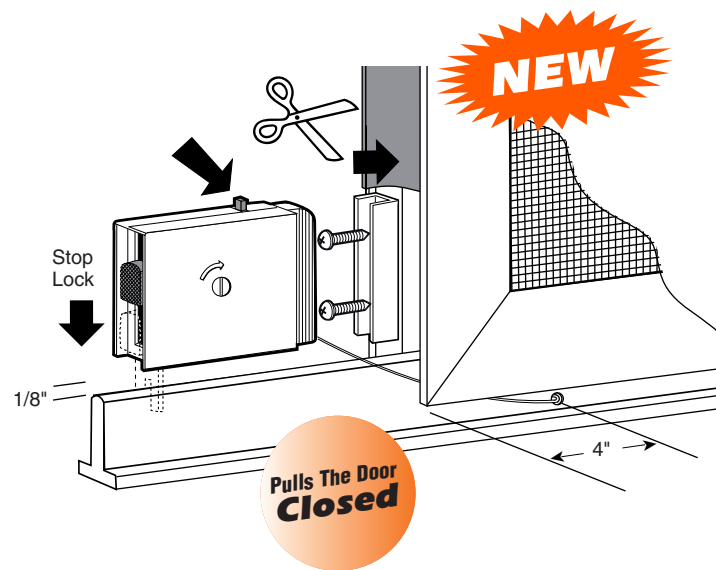
Tube length: 61"
Tube diameter: 1"



Door Closer

Contents: 1 closer; installation screws.

Description: Patented screen door closer; installs in seconds; clock spring torque provides positive closing power; white plastic body will not rust; fits into bug seal channel at door bottom; adjustable tension.



- PL-15535** (Satin Aluminum - Standard Duty)
- PL-15723** (Satin Aluminum - Lite Duty)
- PL-15536** (Bronze - Standard Duty)
- PL-15724** (Bronze - Lite Duty)
- PL-15537** (White - Standard Duty)
- PL-15725** (White - Lite Duty)

- B-784** (Bronze)
- B-757** (White)

Part No.	Description	Page No.	Package Quantity	Standard Pack
C-1000 (Aluminum)	Handle Set (Standard handle height)	12	1	4
C-1001 (Black)	Handle Set (Standard handle height)	11	1	4
C-1002 (Aluminum)	Handle Set (High base height)	11	1	4
C-1003 (Black)	Handle Set (High base height)	12	1	4
C-1004 (Aluminum)	Handle Set	12	1	4
C-1005 (Aluminum)	Handle Set	15	1	4
C-1006 (Black)	Handle Set	15	1	4
C-1007 (Black)	Handle Set	12	1	4
C-1008 (Aluminum)	Pull	19	1	4
C-1009 (Black)	Pull	19	1	6
C-1010 (Gray)	Pull & Key Lock	18	1	4
C-1011 (Black)	Pull & Key Lock	18	1	4
C-1012 (Gray - Keyed)	Pull & Key Lock	18	1	4
C-1013 (Black - Keyed)	Pull & Key Lock	18	1	4
C-1014 (Aluminum)	Handle Set	14	1	4
C-1015 (Black)	Handle Set	14	1	4
C-1016 (Gray)	Handle Set	13	1	4
C-1017 (Gray - Keyed)	Handle Set	13	1	4
C-1018 (Gray)	Handle Set	5	1	4
C-1019 (Aluminum)	Handle Set	9	1	4
C-1020 (Gray)	Handle Set	13	1	4
C-1021 (Bronze)	Handle Set	13	1	4
C-1022 (Aluminum)	Handle Set	16	1	4
C-1023 (Aluminum)	Handle Set	13	1	4
C-1024 (Black)	Handle Set	13	1	4
C-1025 (Gray)	Handle Set	6	1	4
C-1026 (Aluminum)	Handle Set	10	1	4
C-1027 (Black)	Handle Set	15	1	4
C-1028 (Single glazed)	Handle Set	11	1	4
C-1029 (Single glazed-keyed)	Handle Set	11	1	4
C-1030 (Aluminum)	Handle Set (Unique hook)	3	1	4
C-1031 (Chrome)	Handle Set (Dummy)	3	1	4
C-1032 (Black - Keyed)	Handle Set (Standard hook)	1	1	6
C-1033 (Black - Keyed)	Handle Set (Standard hook)	2	1	4
C-1034 (Chrome)	Pull	4	1	6
C-1035 (Aluminum)	Handle Set	11	1	4
C-1036 (Aluminum - Keyed)	Handle Set	11	1	4
C-1037 (Aluminum)	Pull	11	1	4
C-1038 (Black)	Pull	4	1	4
C-1039 (Aluminum)	Handle Set	11	1	4
C-1040 (Aluminum)	Handle Set	10	1	4
C-1042 (Bronze)	Handle Set	10	1	4
C-1043 (Black)	Handle Set (Standard hook)	2	1	4
C-1044 (Aluminum)	Latch and Pull	6	1	4
C-1045 (Chrome)	Handle Set (Standard hook)	2	1	4
C-1046 (Black)	Handle Set	14	1	4
C-1047 (Gray)	Pull	5	1	4
C-1048 (Aluminum)	Handle Set	13	1	4
C-1049 (Aluminum)	Pull & Key Lock	18	1	6
C-1050 (Aluminum - Keyed)	Handle Set (Unique hook)	3	1	4
C-1052 (Aluminum - Left)	Handle Set	14	1	4
C-1053 (Black)	Latch	6	1	4
C-1055 (Aluminum)	Handle Set	16	1	4
C-1058 (Black)	Handle Set	9	1	4
C-1059 (Aluminum - Right)	Handle Set	14	1	4
C-1060 (Aluminum)	Handle Set	12	1	4
C-1061 (Black)	Handle Set	12	1	4
C-1062 (Aluminum)	Handle Set	19	1	6
C-1063 (Black)	Handle Set	19	1	6
C-1064 (Gray - Keyed)	Handle Set	5	1	4
C-1065 (Aluminum - Left)	Handle Set	14	1	4
C-1066 (Aluminum - Right)	Handle Set	14	1	4
C-1067 (Chrome)	Pull	4	1	6
C-1068 (Black)	Pull	4	1	4
C-1069 (Chrome - 6-5/8" Hole centers)	Pull	4	1	6
C-1070 (Aluminum)	Handle Set (Standard handle height)	12	1	4
C-1071 (Black)	Handle Set (Standard handle height)	12	1	4
C-1072 (Black)	Handle Set	16	1	4

Part No.	Description	Page No.	Package Quantity	Standard Pack
C-1073 (Black)	Handle Set	16	1	4
C-1074 (Chrome - Keyed)	Handle Set (Unique hook)	3	1	4
C-1075 (Chrome - 3/8" hook only - Keyed)	Handle Set (Standard hook)	2	1	4
C-1076 (Chrome - 4 hook assortment - Keyed)	Handle Set (Standard hook)	2	1	4
C-1077 (Aluminum)	Handle Set	15	1	4
C-1078 (Black)	Handle Set	15	1	4
C-1081 (Aluminum)	Pull	17	1	4
C-1082 (Black)	Pull	17	1	4
C-1083 (Aluminum)	Pull	17	1	4
C-1084 (Black)	Handle Set	13	1	4
C-1085 (Brushed chrome)	Pull	4	1	4
C-1086 (Chrome - Keyed)	Handle Set (Unique hook)	3	1	4
C-1087 (Black)	Pull	19	1	4
C-1088 (Aluminum)	Pull	5	1	4
C-1089 (Bronze - Left hand)	Handle Set (Unique hook)	3	1	4
C-1090 (Bronze - Right hand)	Handle Set (Unique hook)	3	1	4
C-1091 (Black)	Handle Set	9	1	4
C-1092 (Black)	Handle Set	16	1	4
C-1093 (Black)	Handle Set	13	1	4
C-1094 (Black - Keyed)	Handle Set (High handle height)	11	1	4
C-1095 (Black)	Handle Set	5	1	4
C-1096 (Black)	Pull & Key Lock	18	1	4
C-1097 (Black)	Pull	17	1	4
C-1098 (Chrome - Keyed)	Handle Set (Unique hook)	3	1	4
C-1099 (Chrome)	Handle Set (Unique hook)	3	1	4
C-1101 (Black)	Handle Set (Standard hook)	2	1	4
C-1105 (Black)	Handle Set	12	1	4
C-1106 (Black)	Handle Set	15	1	4
C-1107 (Black)	Handle Set	5	1	4
C-1108 (Chrome)	Handle Set (Unique hook)	3	1	4
C-1110 (Gray)	Pull	4	1	4
C-1111 (White)	Handle Set	9	1	4
C-1112 (Almond)	Handle Set	9	1	4
C-1113 (White)	Pull & Key Lock	18	1	4
C-1114 (Almond)	Pull & Key Lock	18	1	4
C-1116 (White)	Handle Set	15	1	4
C-1117 (Almond)	Handle Set	15	1	4
C-1118 (White)	Handle Set (Standard handle height)	12	1	4
C-1119 (Almond)	Handle Set (Standard handle height)	12	1	4
C-1120 (White - Keyed)	Pull & Key Lock	18	1	4
C-1121 (Almond - Keyed)	Pull & Key Lock	18	1	6
C-1122 (Black)	Pull	17	1	4
C-1123 (Black - Keyed)	Handle Set (Mid-body hook)	3	1	4
C-1124 (Black - Keyed)	Handle Set (Mid-body hook)	2	1	4
C-1125 (Black)	Handle Set (Standard handle height)	12	1	4
C-1126 (Black)	Handle Set	15	1	4
C-1127 (Black)	Handle Set	7	1	4
C-1128 (White)	Handle Set	9	1	4
C-1129 (White - Keyed)	Handle Set (Standard hook)	2	1	4
C-1130 (Black)	Handle Set (Standard hook)	1	1	4
C-1131 (Black - With outside pull)	Handle Set	7	1	4
C-1132 (Black - Keyed)	Handle Set	5	1	4
C-1134 (Chrome - Keyed)	Handle Set (Mid-body hook)	3	1	6
C-1135 (Black)	Handle Set (Standard hook)	2	1	4
C-1136 (Aluminum)	Pull	17	1	4
C-1137 (Black)	Pull	17	1	4
C-1138 (White)	Pull	17	1	4
C-1139 (Black - Keyed)	Pull & Key Lock	18	1	4
C-1140 (White)	Pull	17	1	4
C-1141 (Aluminum)	Pull & Key Lock	18	1	4
C-1142 (Dual glazed-keyed)	Handle Set	11	1	4
C-1143 (Dual glazed)	Handle Set	11	1	4
C-1146 (Chrome)	Handle Set (Unique hook)	3	1	4
C-1148 (Chrome)	Handle Set (Standard hook)	1	1	6
C-1149 (Chrome - Keyed)	Handle Set (Standard hook)	1	1	4
C-1150 (Gray)	Pull & Key Lock	18	1	4
C-1155 (Aluminum)	Handle Set	10	1	4
C-1156 (Aluminum)	Handle Set	11	1	4

Part No.	Description	Page No.	Package Quantity	Standard Pack
C-1157 (Black)	Pull & Key Lock	18	1	6
C-1158 (Gray - Keyed)	Pull & Key Lock	18	1	4
C-1159 (Brass plated - Keyed)	Handle Set (Standard hook)	1	1	6
C-1160 (Brass - Keyed)	Handle Set (Standard hook)	2	1	4
C-1161 (Brass plated)	Pull	4	1	6
C-1162 (Aluminum)	Handle Set	15	1	4
C-1163 (Bronze)	Handle Set	15	1	4
C-1164 (Bronze)	Handle Set	10	1	4
C-1165	Pull	6	1	4
C-1166 (Black)	Pull	5	1	4
C-1167	Locking Bar	6	1	7
C-1171 (Aluminum - Left hand)	Handle Set (Unique hook)	3	1	4
C-1172 (Aluminum - Right hand)	Handle Set (Unique hook)	3	1	4
C-1173 (Bronze)	Handle Set	9	1	4
C-1174 (Brass plated)	Handle Set	7	1	4
C-1176 (White)	Handle Set	7	1	4
C-1177 (White)	Handle Set	7	1	4
C-1178 (White)	Handle Set	8	1	6
C-1179 (White)	Handle Set	8	1	4
C-1182 (Black)	Pull	4	1	6
C-1183 (Chrome)	Pull	4	1	6
C-1184 (Bronze)	Handle Set	10	1	4
C-1185 (Bronze)	Handle Set (Standard handle height)	12	1	4
C-1186 (Aluminum)	Handle Set	6	1	4
C-1187 (Aluminum)	Handle Set	13	1	6
C-1189 (Aluminum)	Pull	4	1	6
C-1190 (Black)	Pull	4	1	6
C-1191 (White)	Handle Set	12	1	4
C-1192 (Black)	Pull	4	1	6
C-1193 (Gray)	Pull	4	1	6
C-1194 (White)	Handle Set	5	1	4
C-1195 (White)	Handle Set	5	1	4
C-1196 (White)	Pull	4	1	6
C-1197 (White - Keyed)	Handle Set (Standard hook)	1	1	6
C-1198 (Aluminum)	Handle Set (Standard handle height)	12	1	4
C-1200 (White - Keyed)	Handle Set	5	1	4
C-1201 (Black)	Handle Set	16	1	4
C-1202 (White)	Handle Set	16	1	4
C-1203 (White)	Handle Set (Standard handle height)	12	1	4
C-1204 (White - With outside pull)	Handle Set	7	1	4
C-1205 (Bronze)	Handle Set	10	1	4
C-1206 (White)	Handle Set	16	1	4
C-1207 (White)	Pull	19	1	4
C-1208 (White)	Handle Set	7	1	4
C-1209 (White)	Pull	17	1	4
C-1210 (White)	Handle Set	9	1	4
C-1213 (Aluminum)	Handle Set	15	1	4
C-1214 (White)	Handle Set	15	1	4
C-1215 (Chrome - 3/8" hook only)	Handle Set (Standard hook)	2	1	4
C-1216 (Black)	Handle Set	13	1	4
C-1217 (Black)	Pull	19	1	4
C-1218 (Black)	Handle Set (Standard handle height)	12	1	4
C-1219 (White - With mortise lock)	Handle Set	9	1	4
C-1220 (Chrome - 6-3/8" Hole centers)	Pull	4	1	4
C-1221 (White)	Handle Set	14	1	4
C-1222 (Black)	Handle Set	15	1	4
C-1223 (White)	Handle Set	15	1	4
C-1224 (Black)	Handle Set	7	1	4
C-1225 (White)	Handle Set	7	1	4
C-1226 (White)	Handle Set (Standard hook)	2	1	4
C-1238 (Black)	Handle (Reverse clamp)	16	1	4
C-1239 (Black)	Handle Set	6	1	4
C-1240 (White - Keyed)	Handle Set (Mid-body hook)	3	1	4
C-1241 (Black - Keyed)	Handle Set	5	1	4
C-1242 (Gray)	Handle Set	5	1	4
C-1243 (Aluminum)	Handle Set	16	1	4
C-1244 (Black)	Handle Set	16	1	4
C-1245 (White)	Handle Set	16	1	4

Part No.	Description	Page No.	Package Quantity	Standard Pack
C-1246 (Stone)	Handle Set	16	1	4
C-1247 (Stone)	Handle Set	16	1	4
C-1248 (Aluminum)	Handle Set	15	1	4
C-1249 (Aluminum)	Handle Set	15	1	4
C-1250 (Black)	Handle Set	15	1	4
C-1251 (White)	Handle Set	15	1	4
C-1252 (Black)	Handle Set	12	1	4
C-1253 (White)	Handle Set	12	1	4
C-1254 (White)	Pull & Key Lock	18	1	4
C-1255 (Gray)	Handle Set	12	1	4
C-1258 (Gray)	Handle Set	5	1	4
C-1259 (Black)	Handle Set	5	1	4
C-1260 (Black)	Handle Set	6	1	4
C-1261 (White)	Handle Set	9	1	4
C-1262 (Chrome - Keyed)	Handle Set (Mid-body hook)	2	1	6
C-1263 (White)	Handle Set	14	1	4
C-1264	Handle Set	8	1	4
C-1267 (Almond)	Handle Set	7	1	4
C-1268 (Chrome)	Handle Set (Standard hook)	1	1	6
C-1269 (Black)	Handle Set (Standard hook)	1	1	6
C-1275 (White)	Handle Set	10	1	4
C-1277 (White)	Handle Set	10	1	4
C-1278 (Black)	Handle Set	9	1	4
C-1279 (White)	Handle Set	9	1	4
C-1280 (White)	Handle Set	8	1	4
C-1281 (Bronze)	Handle Set	8	1	4
C-1282 (Satin nickel)	Handle Set	8	1	4
C-1283 (Brass plated)	Handle Set	8	1	4
C-1284 (White)	Handle Set	8	1	4
C-1285 (Bronze)	Handle Set	8	1	4
C-1286 (Satin nickel)	Handle Set	8	1	4
C-1287 (Brass plated)	Handle Set	8	1	4
C-1288 (White)	Handle Set	8	1	4
C-1289 (White - Keyed)	Handle Set	8	1	4
C-1290 (Copperite)	Handle Set	10	1	4
C-1291 (White)	Handle Set	10	1	4
C-1292 (Champagne)	Handle Set	10	1	4
C-1297 (Gray)	Handle Set	10	1	4
C-1298 (Bronze)	Handle Set	9	1	4
C-1299 (White)	Handle Set	9	1	4
C-1300 (Black)	Handle	13	1	4
C-1301 (White)	Pull	4	1	4
C-1302 (Satin nickel)	Pull	17	1	6
C-1303 (White)	Handle Set	9	1	6
C-1304 (Black)	Handle Set	17	1	4
C-1305 (Satin nickel)	Handle Set	7	1	4
C-1306 (Classic bronze)	Handle Set	7	1	4
C-1307 (White - Left hand)	Handle Set	8	1	4
C-1308 (White - Right hand)	Handle Set	8	1	4
C-1309 (Chrome)	Handle Set (Mid-body hook)	3	1	6
C-1310 (Black)	Pull	17	1	6
C-1311 (White)	Pull	17	1	6
C-1312 (Almond)	Pull	17	1	6
C-1313 (Black)	Handle Set	7	1	4
C-1314 (Black - keyed)	Handle Set	7	1	4
C-1315 (White)	Handle Set	7	1	4
C-1316 (White - keyed)	Handle Set	7	1	4
C-1317 (White)	Handle Set	8	1	4
C-1318 (Bronze)	Handle Set	8	1	4
C-1319 (Satin nickel)	Handle Set	8	1	4
C-1320 (Brass plated)	Handle Set	8	1	4
C-1322 (White)	Handle Set (Standard hook)	1	1	6
C-1323 (Aluminum)	Handle Set	15	1	4
C-1324 (White)	Pull	4	1	6
C-1325 (White)	Handle Set (Standard hook)	2	1	4
E-2070 (Aluminum)	Pull & Key Lock	19	1	6
E-2071 (Black)	Pull & Key Lock	19	1	6
E-2072 (Aluminum)	Pull & Key Lock	19	1	6

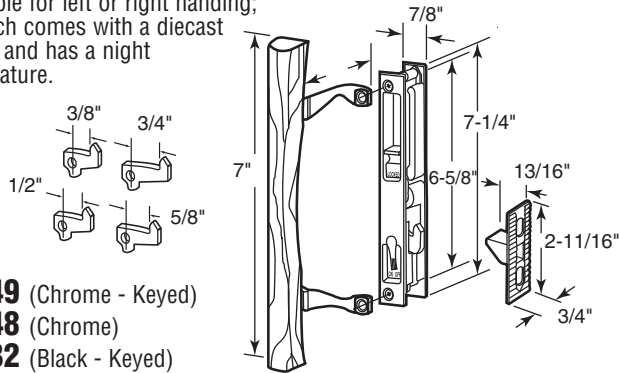
Part No.	Description	Page No.	Package Quantity	Standard Pack
E-2073 (Black)	Pull & Key Lock	19	1	6
E-2144 (White)	Keyed Locking Unit	18	1	6
E-2145 (White)	Keyed Locking Unit	18	1	6
E-2146 (Brass)	Keyed Locking Unit	18	1	6
E-2194 (Classic bronze)	Keyed Locking Unit	18	1	6
E-2195 (Satin nickel)	Keyed Locking Unit	18	1	6



Handle Set (Standard hook)

Contents: 1 inside latch with deluxe wood pull; 1 outside pull; 1 keeper; 4 hook assortment; 1 locking cylinder; installation fasteners.

Description: Diecast flush latch assembly with wood pull handle, fits most popular door style cutouts; latch comes with a set of four different sized hooks, which are reversible for left or right handing; this latch comes with a diecast keeper, and has a night latch feature.



C-1149 (Chrome - Keyed)

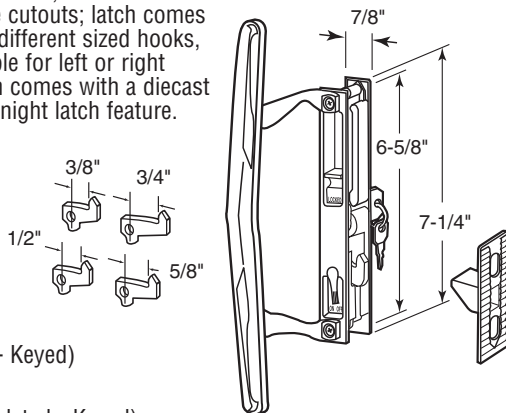
C-1148 (Chrome)

C-1032 (Black - Keyed)

Handle Set (Standard hook)

Contents: 1 inside latch with deluxe pull; 1 outside pull; 1 keeper; 4 hook assortment; 1 locking cylinder; installation fasteners.

Description: Diecast flush latch assembly with diecast pull handle, fits most popular door style cutouts; latch comes with a set of four different sized hooks, which are reversible for left or right handing; this latch comes with a diecast keeper, and has a night latch feature.



C-1197 (White - Keyed)

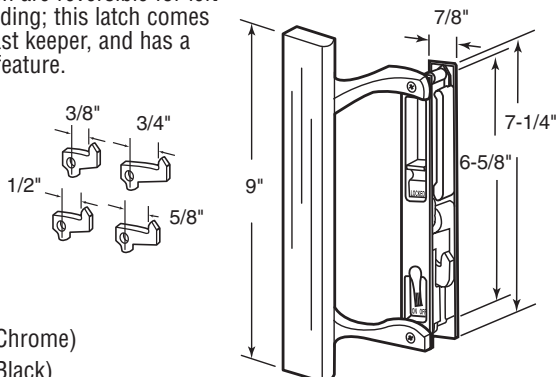
C-1322 (White)

C-1159 (Brass plated - Keyed)

Handle Set (Standard hook)

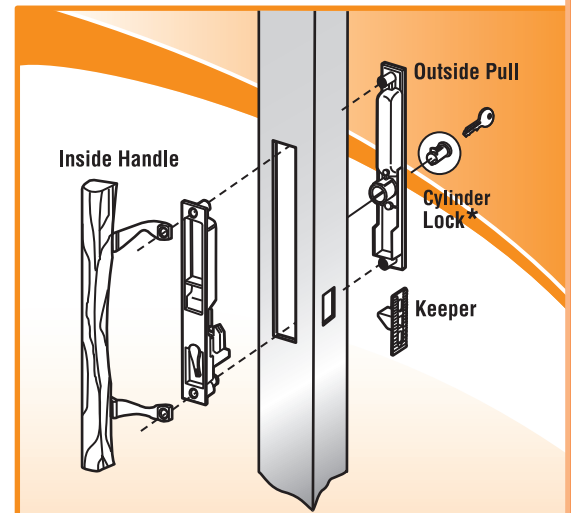
Contents: 1 inside latch with wood pull; 1 outside pull; 1 keeper; installation fasteners; 4 hook assortment.

Description: Diecast flush latch assembly with heavy duty wood pull handle, fits most popular door style cutouts; latch comes with a set of four different sized hooks, which are reversible for left or right handing; this latch comes with a diecast keeper, and has a night latch feature.



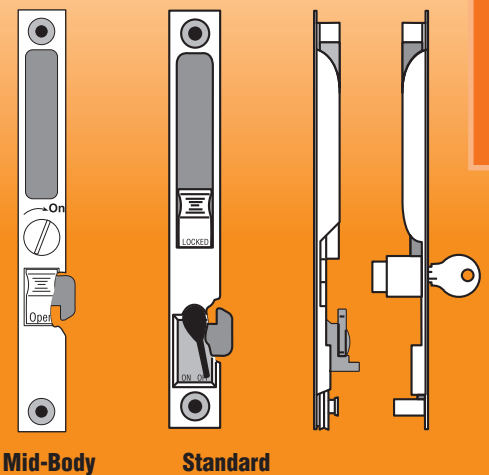
C-1268 (Chrome)

C-1269 (Black)



The following pages offer a comprehensive selection of:
FLUSH MOUNT HANDLE SETS

Hook Locations

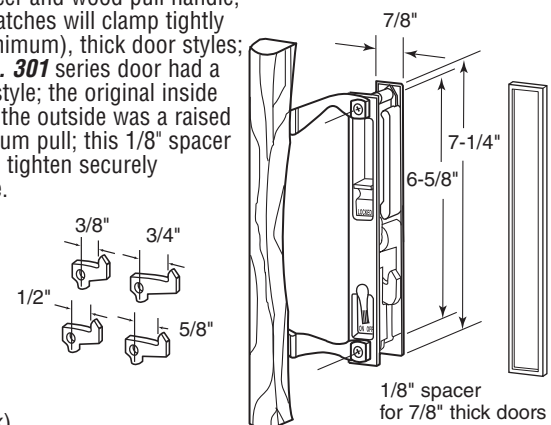


* For Key Locking, Use E-2005, E-2087 or E-2088.

Handle Set (Standard hook)

Contents: 1 inside latch and pull; 1 outside pull; 1 wood handle; 1 spacer; 1 keeper; 4 hook assortment; installation fasteners.

Description: Diecast flush latch assembly with plastic spacer and wood pull handle; common flush latches will clamp tightly to one-inch (minimum), thick door styles; the **Croft® Alum. 301** series door had a 7/8" thick door style; the original inside latch was flush; the outside was a raised extruded aluminum pull; this 1/8" spacer will let this latch tighten securely to the door style.



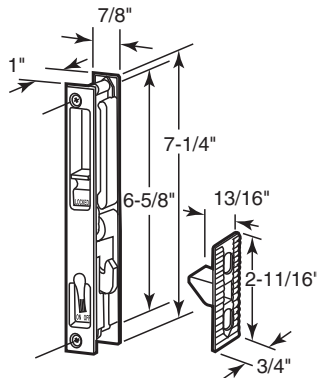
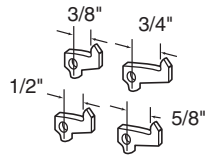
C-1130 (Black)

1/8" spacer for 7/8" thick doors

Handle Set (Standard hook)

Contents: 1 inside latch; 1 outside pull; 1 locking cylinder; 4 hook assortment; 1 keeper; installation fasteners.

Description: Diecast flush latch assembly fits most popular door style cutouts; latch comes with a set of four different sized hooks, which are reversible for left or right handing; this latch comes with a diecast keeper and has a night latch feature.

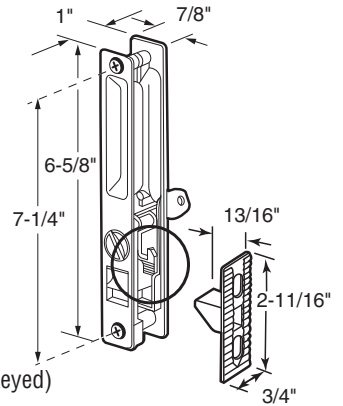
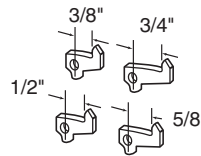


- C-1045** (Chrome)
- C-1033** (Black - Keyed)
- C-1043** (Black)
- C-1129** (White - Keyed)
- C-1226** (White)
- C-1160** (Brass - Keyed)

Handle Set (Standard hook)

Contents: 1 inside latch and pull; 1 outside pull; 1 locking cylinder; 1 keeper; installation fasteners.

Description: Diecast flush latch assembly fits most popular door style cutouts; C-1076 latch comes with a set of four different sized hooks, which are reversible for left or right handing; this latch comes with a diecast keeper and has a night latch feature.

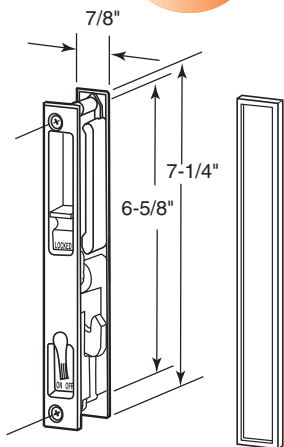
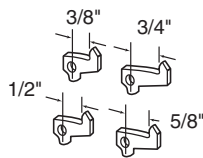


- C-1075** (Chrome - 3/8" hook only - Keyed)
- C-1215** (Chrome - 3/8" hook only)
- C-1076** (Chrome - 4 hook assortment - Keyed)

Handle Set (Standard hook)

Contents: 1 inside latch and pull; 1 outside pull; 1 spacer; 1 keeper; 4 hook assortment; installation fasteners.

Description: Diecast flush latch assembly with plastic spacer; common flush latches will clamp tightly to one-inch (minimum), thick door styles; the *Craft Alum. 301* series door had a 7/8" thick door style; the original inside latch was flush; the outside was a raised extruded aluminum pull; this 1/8" spacer will let this latch tighten securely to the door style.

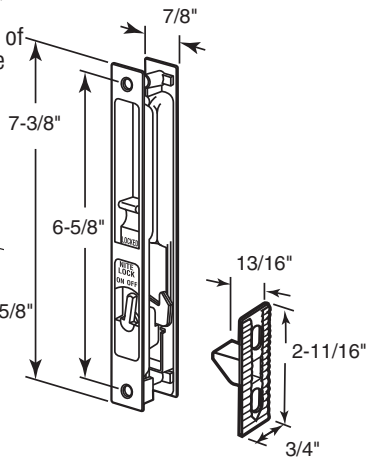
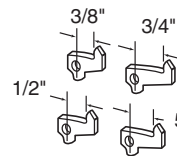


- C-1101** (Black)

Handle Set (Standard hook)

Contents: 1 inside latch and pull; 1 outside pull; 1 keeper; installation fasteners.

Description: Diecast flush latch assembly fits most popular door style cutouts; tall hook tower fits doors up to 2" thick; non-keyable: latch comes with a set of four different sized hooks, which are reversible for left or right handing; this latch comes with a diecast keeper and has a night latch feature.



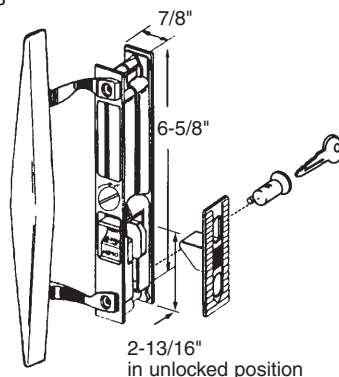
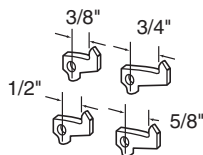
- C-1135** (Black)
- C-1325** (White)

Handle Set (Mid-body hook)

Contents: 1 inside latch and pull; 1 outside pull; 1 keeper; 1 locking cylinder; installation fasteners.

Description: Diecast flush latch assembly with wood pull handle fits most popular door style cutouts; latch comes with a set of four different sized hooks, which are reversible for left or right handing; this latch comes with a diecast keeper, and has a night latch feature.

Note: A mid-body latch has the hook pointed down, and is higher up on the body.



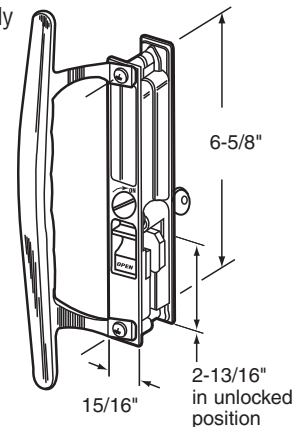
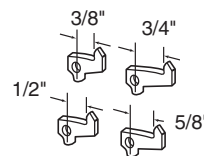
- C-1124** (Black - Keyed)

Handle Set (Mid-body hook)

Contents: 1 inside latch and pull; 1 outside pull; 1 keeper; 4 hook assortment; 1 locking cylinder; installation fasteners.

Description: Diecast flush latch assembly with diecast pull handle, fits most popular door style cutouts; latch comes with a set of four different sized hooks, which are reversible for left or right handing; this latch comes with a diecast keeper, and has a night latch feature.

Note: A mid-body latch has the hook pointed down, and is higher up on the body.



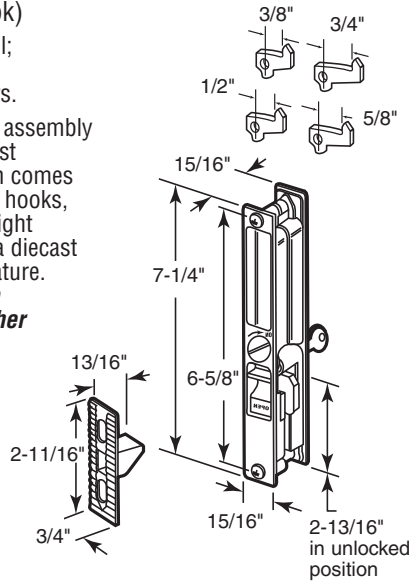
- C-1262** (Chrome - Keyed)

Handle Set (Mid-body hook)

Contents: 1 inside latch and pull; 1 outside pull; 1 keeper; 4 hook assortment; installation fasteners.

Description: Diecast flush latch assembly with diecast pull handle, fits most popular door style cutouts; latch comes with a set of four different sized hooks, which are reversible for left or right handing; this latch comes with a diecast keeper, and has a night latch feature.

Note: A mid-body latch has the hook pointed down, and is higher up on the body.



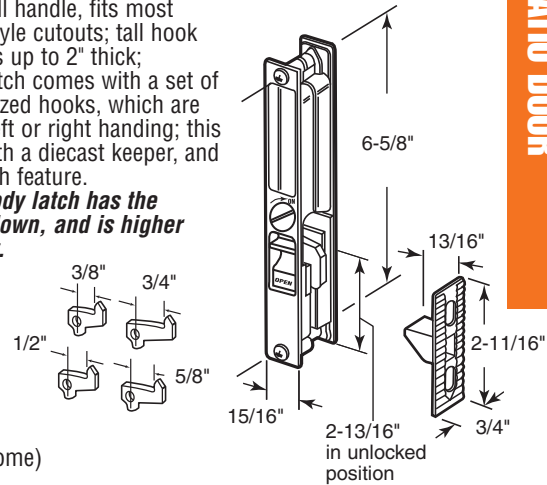
- C-1134** (Chrome - Keyed)
- C-1123** (Black - Keyed)
- C-1240** (White - Keyed)

Handle Set (Mid-body hook)

Contents: 1 inside latch and pull; 1 outside pull; 1 keeper; 4 hook assortment; installation fasteners.

Description: Diecast flush latch assembly with diecast pull handle, fits most popular door style cutouts; tall hook tower fits doors up to 2" thick; non-keyable; latch comes with a set of four different sized hooks, which are reversible for left or right handing; this latch comes with a diecast keeper, and has a night latch feature.

Note: A mid-body latch has the hook pointed down, and is higher up on the body.

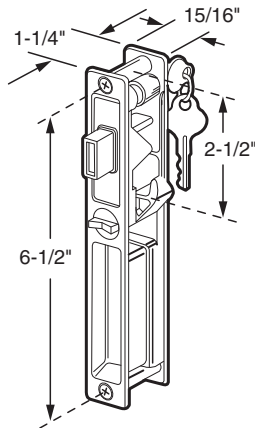


- C-1309** (Chrome)

Handle Set (Unique hook)

Contents: 1 inside latch and pull; 1 outside latch; 1 locking cylinder; installation fasteners.

Description: Diecast flush latch assembly; this latch fits *Crossly*® doors exclusively, and has a very thick diecast latch hook; operation of the handle is done by pushing in on the plastic button, also has a night latch feature.

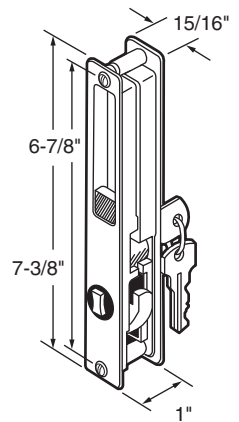


- C-1074** (Chrome - Keyed)
- C-1099** (Chrome)

Handle Set (Unique hook)

Contents: 1 inside latch and pull; 1 outside pull; 1 lock assembly; 1 locking cylinder; installation fasteners.

Description: Diecast flush latch assembly; this latch fits *Daryl Series PR 300*® doors exclusively, and has a vertically sliding heavy duty diecast hook.

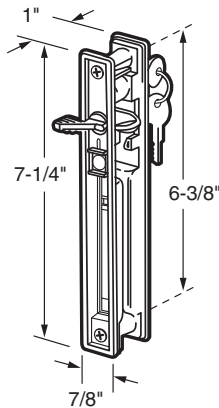


- C-1098** (Chrome - Keyed)
- C-1146** (Chrome)

Handle Set (Unique hook)

Contents: 1 inside latch and pull; 1 outside pull; 1 locking cylinder; installation fasteners.

Description: Diecast construction; fits *Miller Industries*® (Mil-Door).



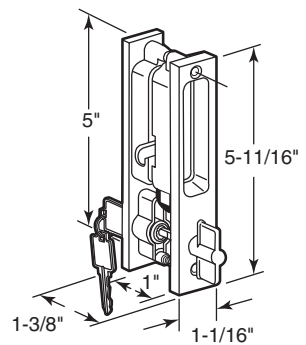
- C-1086** (Chrome - Keyed)
- C-1108** (Chrome)

Handle Set (Unique hook)

Contents: 1 inside latch and pull; 1 outside pull; 1 key lock; installation fasteners.

Description: Diecast flush latch assembly; this latch fits *Fran Meyer*® doors exclusively; handing is not reversible; includes key cylinder.

Right Hand Shown

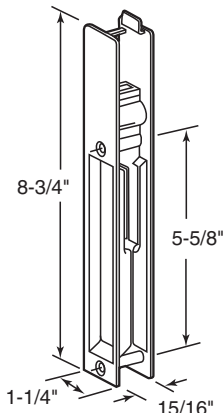


- C-1171** (Aluminum - Left hand)
- C-1172** (Aluminum - Right hand)
- C-1089** (Bronze - Left hand)
- C-1090** (Bronze - Right hand)

Handle Set (Dummy)

Contents: 1 inside pull; 1 outside pull; installation fasteners.

Description: Diecast construction; flush type dummy trim handle set; fits *Adams Rite*®.

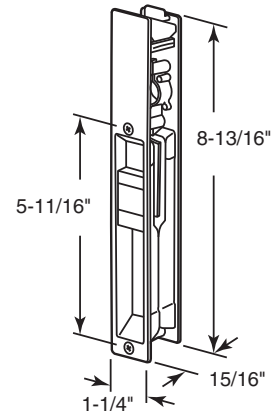


- C-1031** (Chrome)

Handle Set (Unique hook)

Contents: 1 inside pull; 1 outside pull; installation fasteners.

Description: Diecast inside latch assembly; diecast outside pull; operates E-2575 mortise lock; used by several door manufacturers.

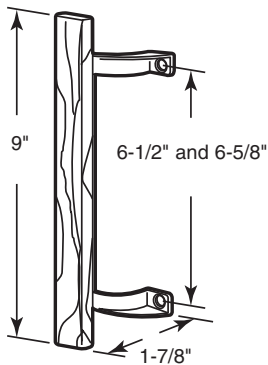


- C-1030** (Aluminum)
- C-1050** (Aluminum - Keyed)

Pull

Contents: 1 inside pull; installation fasteners.

Description: Hardwood pull handle with stained finish; mounted to a one piece diecast base; mounting holes are slotted, to fit both 6-1/2" and 6-5/8" hole centers.

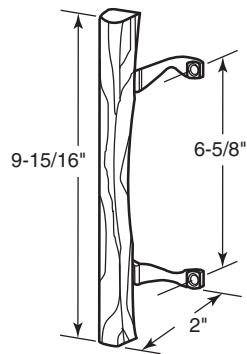


- C-1189** (Aluminum)
- C-1190** (Black)
- C-1324** (White)

Pull

Contents: 1 inside pull; installation fasteners.

Description: Hardwood pull handle with stained finish; diecast mounting brackets; used on flush handle sets with 6-5/8" hole centers.

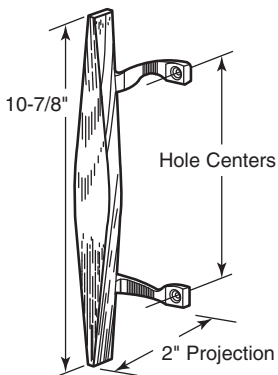


Part No.	Bracket Finish
C-1034	Chrome
C-1192	Black
C-1301	White

Pull

Contents: 1 inside pull; installation fasteners.

Description: Hardwood pull handle with stained finish; diecast mounting brackets.

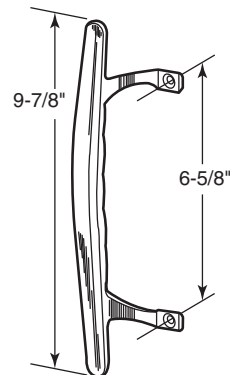


- C-1220** (Chrome - 6-3/8" Hole centers)
- C-1069** (Chrome - 6-5/8" Hole centers)

Pull

Contents: 1 inside pull; installation fasteners.

Description: Diecast pull handle; used on flush handle sets with 6-5/8" hole centers.

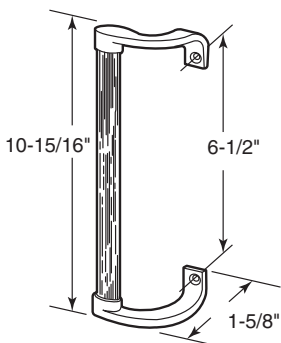


- C-1067** (Chrome)
- C-1196** (White)
- C-1161** (Brass plated)

Pull

Contents: 1 inside pull; installation fasteners.

Description: Hardwood pull handle with stained finish; diecast end cap style mounting brackets; used with C-1074 and C-1099 **Crossly**® flush handle sets.

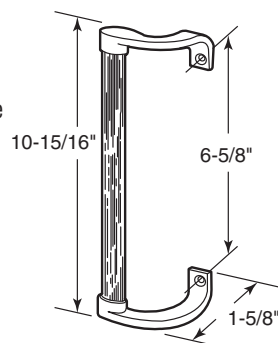


- C-1110** (Gray)
- C-1068** (Black)

Pull

Contents: 1 inside pull; installation fasteners.

Description: Hardwood pull handle with stained finish; diecast end cap style mounting brackets; used on flush handle sets with 6-5/8" hole centers.

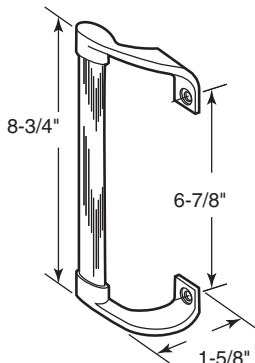


- C-1183** (Chrome)
- C-1182** (Black)

Pull

Contents: 1 inside pull; installation fasteners.

Description: Hardwood pull handle with stained finish; diecast end cap style mounting brackets; used with C-1098 and C-1146 **Daryl**® flush handle sets.

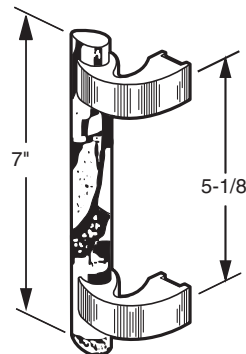


- C-1193** (Gray)
- C-1038** (Black)

Pull

Contents: 1 inside pull; installation fasteners.

Description: Universal design inside pull with clear lucite pull bar; diecast aluminum brackets on 5-1/8" hole centers.



Call For Availability

- C-1085** (Brushed chrome)

Pull

Contents: 1 inside pull; installation fasteners.

Description: Hardwood pull handle with stained finish; diecast end cap style mounting brackets; this pull handle was designed exclusively for **Capitol**® brand doors.

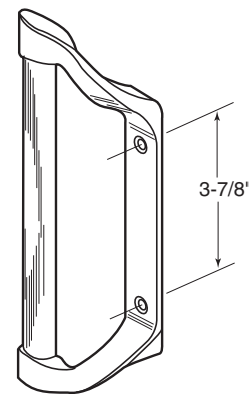


C-1166 (Black)

Pull

Contents: 1 inside pull; installation fasteners.

Description: Hardwood pull handle with stained finish; mounted to a one piece diecast base; this pull handle was designed exclusively for **Cupples**® brand doors.



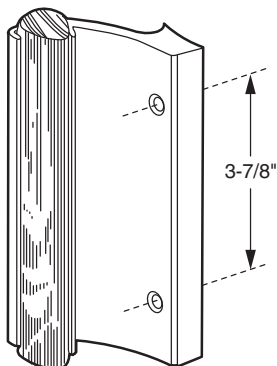
C-1047 (Gray)

PATIO DOOR

Pull

Contents: 1 inside pull; installation fasteners.

Description: Extruded aluminum pull; brushed anodized finish; wood insert; fits **Ador/Hilite**® doors.



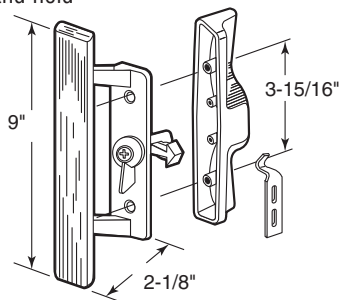
Call For Availability

C-1088 (Aluminum)

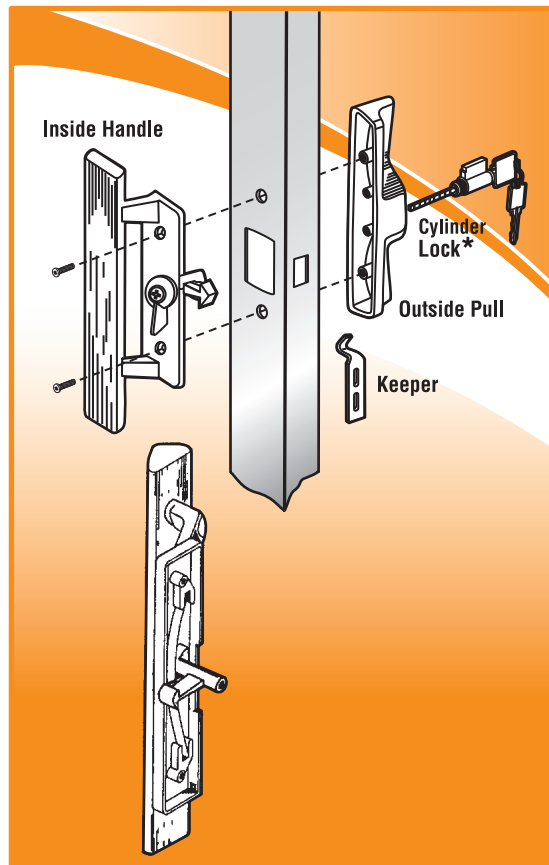
Handle Set

Contents: 1 inside pull and latch; 1 outside pull; 1 keeper; 1 locking cylinder; installation fasteners.

Description: Diecast handle and latch assembly with wood pull; thumb turn and hold open spring are easily reversible for left or right handing; comes with stamped steel keeper; night latch feature.



- C-1018** (Gray)
- C-1064** (Gray - Keyed)
- C-1107** (Black)
- C-1132** (Black - Keyed)
- C-1195** (White)
- C-1200** (White - Keyed)



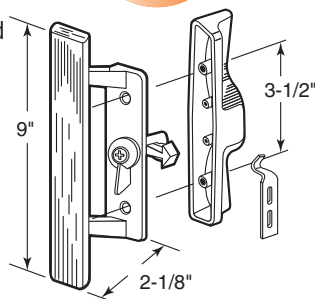
The following pages offer a comprehensive selection of:
INTERNAL LOCK HANDLE SETS

* For Key Locking, Use E-2000.

Handle Set

Contents: 1 inside pull and latch; 1 outside pull; 1 keeper; 1 locking cylinder; installation fasteners.

Description: Diecast handle and latch assembly with wood pull; thumb turn and hold open spring are easily reversible for left or right handing; comes with a stamped steel keeper; night latch feature; fits **Acorn**® brand doors.

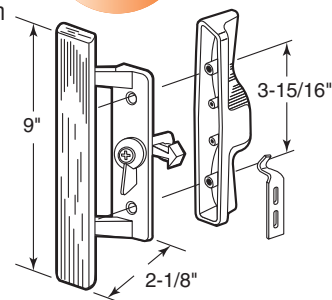


- C-1242** (Gray)
- C-1095** (Black)
- C-1241** (Black - Keyed)
- C-1194** (White)

Handle Set

Contents: 1 inside pull and latch; 1 outside pull; 1 keeper; 1 locking cylinder; installation fasteners.

Description: Diecast handle and latch assembly with wood pull; fits 1-3/4" thick doors; thumb turn and hold open spring are easily reversible for left or right handing; comes with stamped steel keeper; night latch feature.

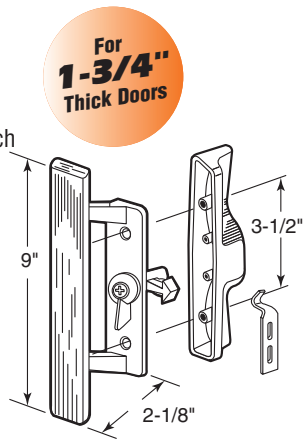


- C-1258** (Gray)
- C-1259** (Black)

Handle Set

Contents: 1 inside pull and latch; 1 outside pull; 1 keeper; 1 locking cylinder; installation fasteners.

Description: Diecast handle and latch assembly with wood pull; fits 1-3/4" thick doors; thumb turn and hold open spring are easily reversible for left or right handing; comes with stamped steel keeper; night latch feature; fits **Acorn**® brand doors.

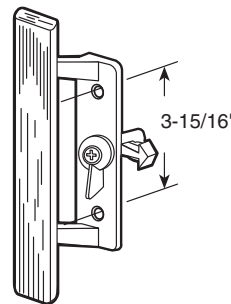


C-1260 (Black)

Pull

Contents: 1 inside pull; installation fasteners.

Description: Diecast handle and latch assembly with wood pull; thumb turn and hold open spring are easily reversible for left or right handing; comes with stamped steel keeper; night latch feature.

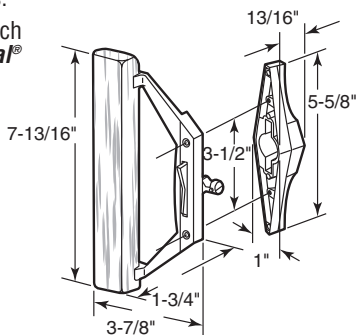


C-1239 (Black)

Handle Set

Contents: 1 inside pull and latch; 1 outside pull; installation fasteners.

Description: Diecast handle and latch assembly with wood pull; fits **Burval**® and **Trimview**® doors.

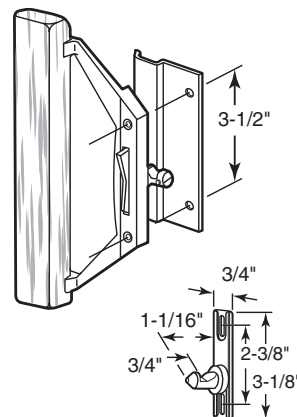


C-1025 (Gray)

Handle Set

Contents: 1 inside pull and latch; 1 outside pull; 1 keeper; installation fasteners.

Description: Diecast inside pull with wood handle; extruded aluminum outside pull; fits **Trimview**® and other manufacturers.

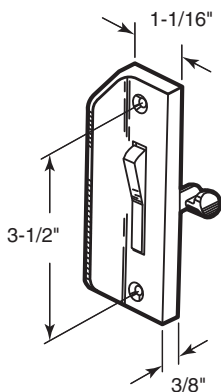


C-1186 (Aluminum)

Latch and Pull

Contents: 1 latch / pull; 1 set of installation fasteners.

Description: Fits **Trimview**® doors; diecast aluminum housing.

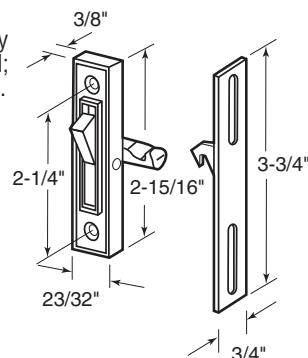


C-1044 (Aluminum)

Latch

Contents: 1 latch; 1 keeper; 1 set of installation fasteners.

Description: For sliding doors where key control from outside will not be required; plastic escutcheon with zinc diecast bolt.

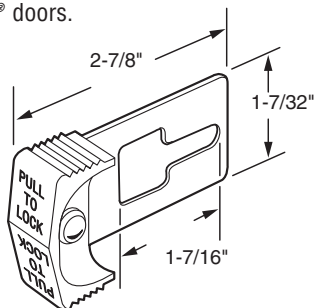


C-1053 (Black)

Locking Bar

Contents: 1 lock bar.

Description: Stamped steel bar with plastic finger pull; fits on **Capitol**® doors.

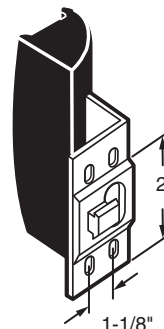


C-1167

Pull

Contents: 1 pull.

Description: Diecast base with black plastic finger pull; fits on **Capitol**® doors.

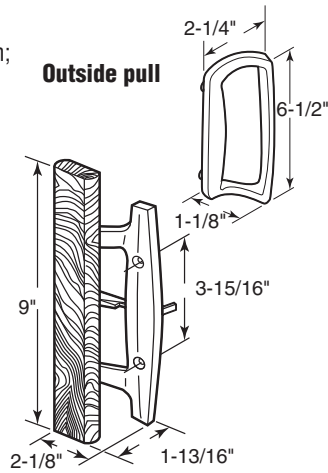


C-1165

Handle Set

Contents: 1 inside pull with thumb latch; 1 outside pull; installation fasteners.

Description: Diecast inside latch with wood pull; diecast outside pull; diecast and stamped steel thumb turn; for use with E-2008, E-2009, E-2014 & E-2111 mortise latches; use E-2576 latch lever for 2" thick doors; use E-2144 to key lock; non-handed; used by several door manufacturers.

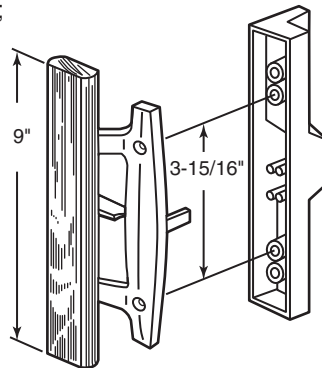


- C-1127** (Black)
- C-1131** (Black - With outside pull)
- C-1208** (White)
- C-1204** (White - With outside pull)

Handle Set

Contents: 1 inside pull with thumb latch; 1 outside pull; installation fasteners.

Description: Diecast inside latch with wood pull; diecast outside pull; diecast and stamped steel thumb turn; for use with E-2008, E-2009, E-2014 & E-2111 mortise latches; use E-2576 latch lever for 2" thick doors; use E-2144 to key lock; non-handed; used by several door manufacturers.

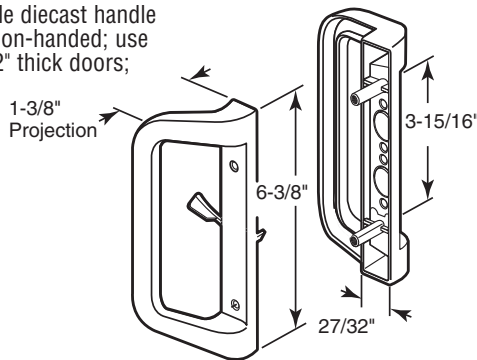


- C-1313** (Black)
- C-1314** (Black - keyed)
- C-1315** (White)
- C-1316** (White - keyed)

Handle Set

Contents: 1 inside pull; 1 thumb latch; 1 outside pull; installation fasteners.

Description: Low profile diecast handle set for mortise locks; non-handed; use E-2576 latch lever for 2" thick doors; used by several door manufacturers.

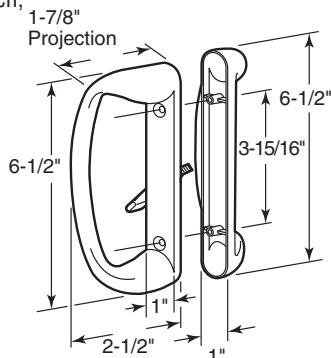


- C-1177** (White)

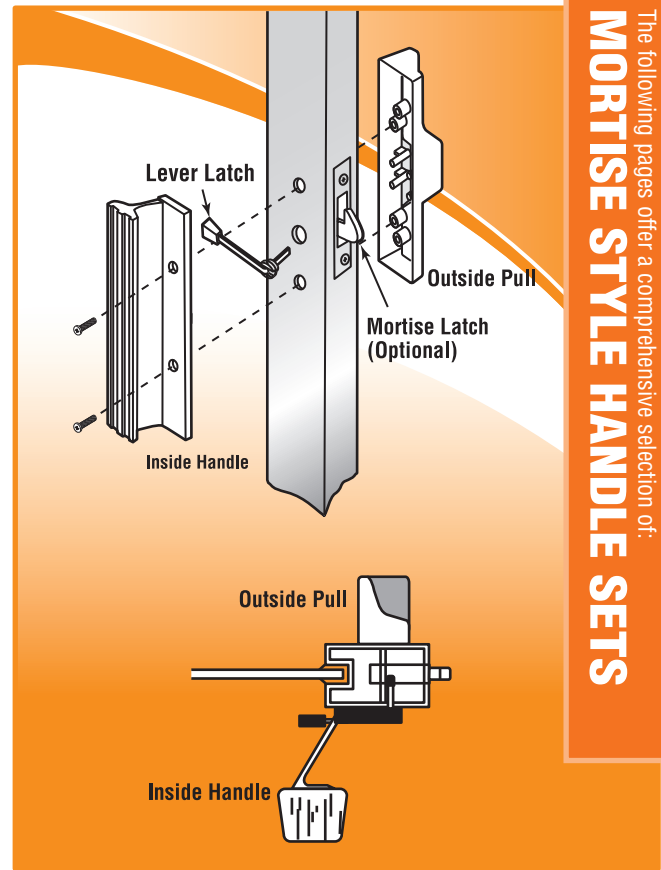
Handle Set

Contents: 1 inside pull and thumb latch; 1 outside pull; installation fasteners.

Description: Diecast inside latch assembly; diecast outside pull handle; thumb turn; for use with E-2008, E-2009, E-2014 & E-2111; use E-2145 to key lock; use E-2576 latch lever for 2" thick doors; used by several door manufacturers.



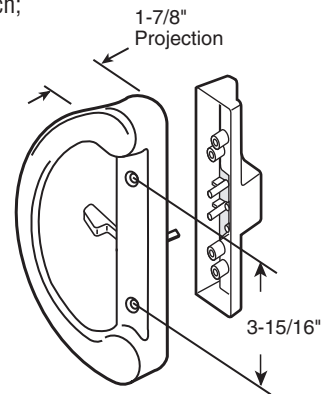
- C-1176** (White)
- C-1174** (Brass plated)
- C-1305** (Satin nickel)
- C-1306** (Classic bronze)



Handle Set

Contents: 1 inside pull with thumb latch; 1 outside pull; installation fasteners.

Description: Heavy duty diecast inside latch assembly; diecast outside pull handle; thumb turn; for use with E-2008, E-2009, E-2014 & E-2111 mortise latches; use E-2000 to key lock; non-handed; used by several door manufacturers.

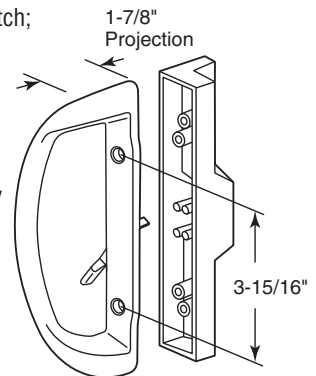


- C-1224** (Black)
- C-1225** (White)

Handle Set

Contents: 1 inside pull and thumb latch; 1 outside pull; installation fasteners.

Description: Diecast inside latch assembly; diecast outside pull handle; thumb turn; for use with E-2008, E-2009, E-2014 & E-2111; use E-2145 to key lock; use E-2576 latch lever for 2" thick doors; used by several door manufacturers.

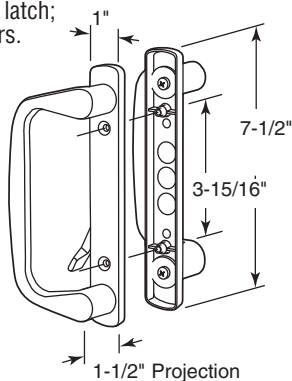


- C-1267** (Almond)

Handle Set

Contents: 1 inside pull and thumb latch; 1 outside pull; installation fasteners.

Description: Diecast inside latch assembly; diecast outside pull handle; thumb turn; for use with E-2008, E-2009, E-2014 & E-2111; use E-2145 to key lock; use E-2576 latch lever for 2" thick doors; used by several door manufacturers.

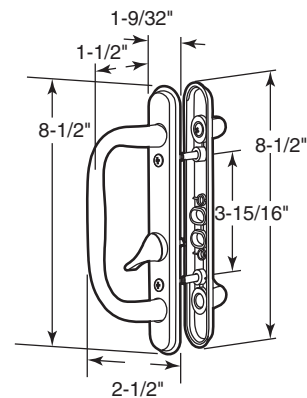


C-1178 (White)

Handle Set

Contents: 1 inside pull and thumb latch; 1 outside pull; installation fasteners.

Description: Diecast inside and outside pull set; fits most mortise lock systems; non-handed; painted finish; for key lock use E-2193 thru E-2196.

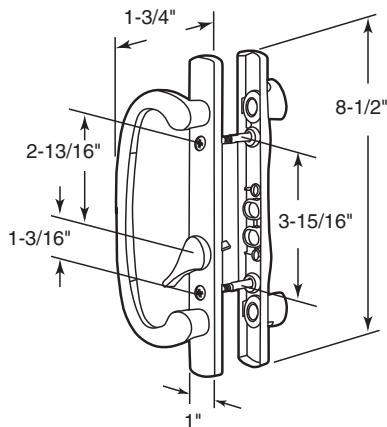


C-1285 (Bronze)
C-1284 (White)
C-1286 (Satin nickel)
C-1287 (Brass plated)

Handle Set

Contents: 1 inside pull and thumb latch; 1 outside pull; installation fasteners.

Description: Diecast inside and outside pull set; fits most mortise lock systems; non-handed; painted finish; for key lock use E-2193 thru E-2196.

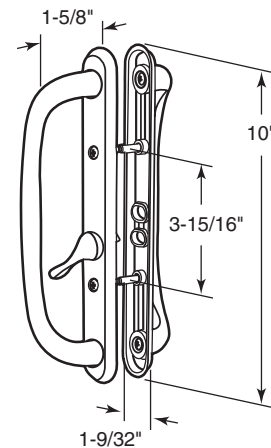


C-1281 (Bronze - offset thumbturn)
C-1318 (Bronze - centered thumbturn)
C-1280 (White - offset thumbturn)
C-1317 (White - centered thumbturn)
C-1282 (Satin nickel - offset thumbturn)
C-1319 (Satin nickel - centered thumbturn)
C-1283 (Brass plated - offset thumbturn)
C-1320 (Brass plated - centered thumbturn)

Handle Set

Contents: 1 inside pull and thumb latch; 1 outside pull; 1 locking cylinder; installation fasteners.

Description: Designer patio door handle fits most all mortise style locks using 3-15/16" hole centers; solid cast pull, fluted cast base.

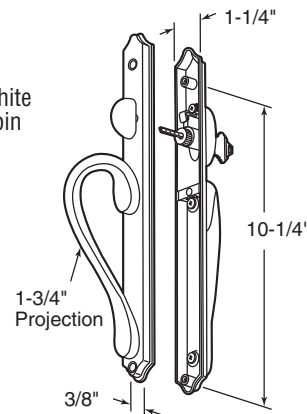


C-1289 (White - Keyed)
C-1288 (White)

Handle Set

Contents: 1 inside pull; 1 outside pull; 1 key cylinder; installation fasteners.

Description: Diecast reversible pull; white powder coated finish; diecast base; 5 pin tumbler key cylinder; works with any mortise lock system.

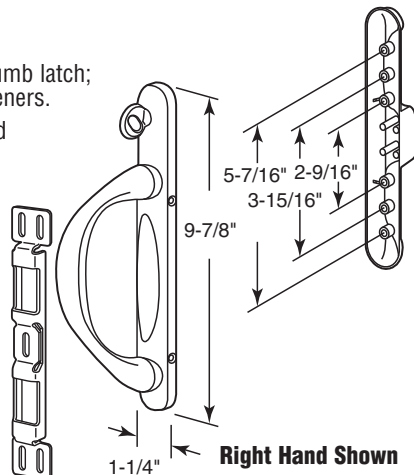


C-1264

Handle Set

Contents: 1 inside pull and thumb latch; 1 outside pull; installation fasteners.

Description: Diecast inside and outside pull set; painted finish; use with E-2571 mortise lock.

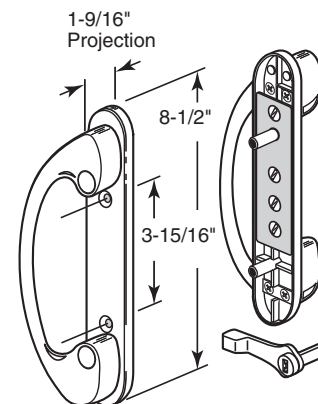


C-1307 (White - Left hand)
C-1308 (White - Right hand)

Handle Set

Contents: 1 inside pull; 1 thumb latch; 1 outside pull; installation fasteners.

Description: Diecast handle set for mortise locks; internal design allows placement of key cylinder away from handle set pull area; adapts to most mortise lock locations.



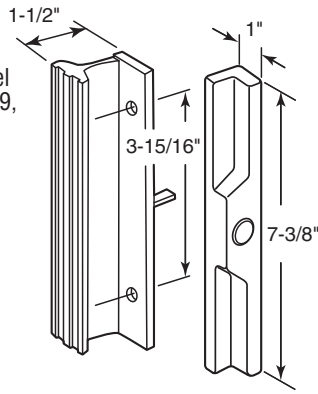
C-1179 (White)

Call For Availability

Handle Set

Contents: 1 inside pull; 1 outside pull; 1 thumb latch; installation fasteners.

Description: Extruded aluminum inside latch; diecast outside pull; stamped steel thumb turn; for use with E-2008, E-2009, E-2014 & E-2111 mortise latches, non-handed; used by several door manufacturers.

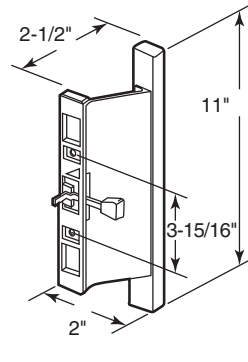


- C-1058** (Black)
- C-1111** (White)
- C-1112** (Almond)

Handle Set

Contents: 1 inside pull and 1 outside pull; 1 thumb latch; installation fasteners.

Description: Hardwood pull with stained finish; extruded aluminum high profile inside latch; diecast outside pull; stamped steel thumb turn; for use with E-2008, E-2009, E-2014 & E-2111 mortise latches, non-handed; used by several door manufacturers.

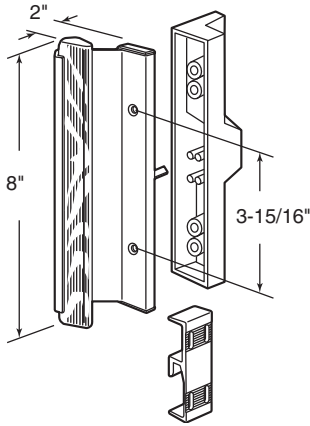


- C-1019** (Aluminum)
- C-1091** (Black)
- C-1173** (Bronze)
- C-1210** (White)

Handle Set

Contents: 1 inside pull; 1 outside pull; 1 thumb latch; installation fasteners.

Description: Extruded aluminum inside latch with wood insert; plastic outside pull with stamped steel thumb turn; includes keeper; for use with E-2008, E-2009, E-2014 & E-2111 mortise latches, non-handed; used by several door manufacturers.

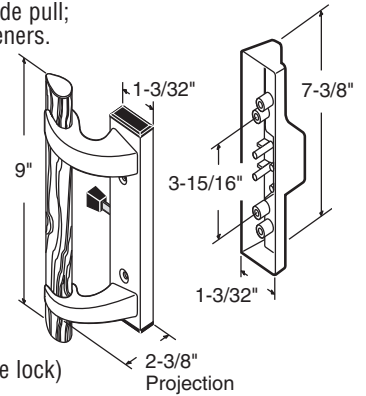


- C-1261** (White)

Handle Set

Contents: 1 inside pull; 1 outside pull; 1 thumb latch; installation fasteners.

Description: Extruded aluminum inside latch with wood pull; diecast outside pull; stamped steel thumb turn; for use with E-2008, E-2009, E-2014 & E-2111 mortise latches, non-handed; used by several door manufacturers.

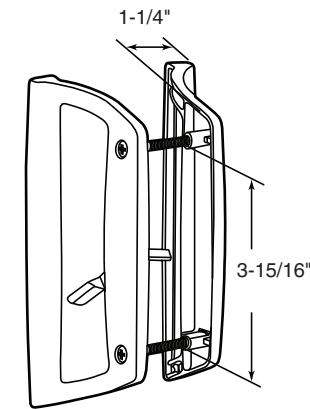


- C-1219** (White - With mortise lock)
- C-1128** (White)

Handle Set

Contents: 1 inside pull; 1 outside pull; 1 thumb latch; installation fasteners.

Description: Diecast inside and outside pull handles; painted finish; fits standard mortise style locks.



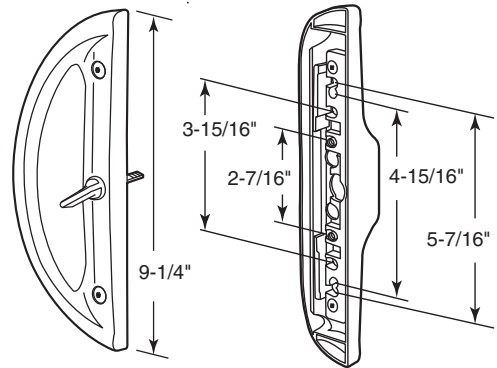
- C-1278** (Black)
- C-1279** (White)

Handle Set

Contents: 1 inside pull; 1 outside pull; 1 thumb latch; installation fasteners.

Description: High strength plastic inside and outside pull handles with diecast base plates; thumb turn; base plates have multiple hole center configurations; 2-7/16", 3-15/16", 4-15/16" & 5-7/16"; base is fastened to door styles first then the pull handles are attached; for use with E-2008, E-2009, E-2014 & E-2111 mortise latches; used by several door manufacturers.

Call For Availability



- C-1298** (Bronze)
- C-1299** (White)

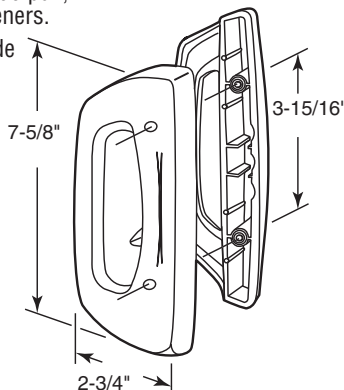
Handle Set

Contents: 1 inside pull; 1 outside pull; 1 thumb latch; installation fasteners.

Description: White plastic inside and outside pull; plastic thumbturn with steel insert; used in Canada.



Used primarily in Canada

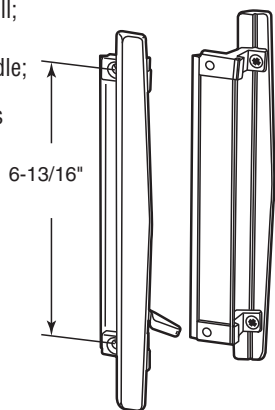


- C-1303** (White)

Handle Set

Contents: 1 inside pull; 1 outside pull; 1 thumb latch; installation fasteners.

Description: Diecast inside pull handle; diecast outside pull handle; diecast thumbturn with steel latch insert; fits *Pella*[®].

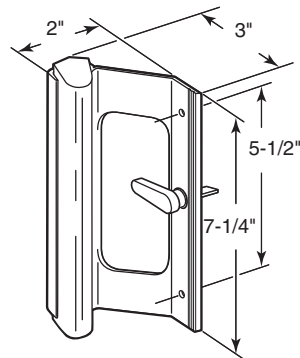


- C-1291** (White)
- C-1290** (Copperite)
- C-1292** (Champagne)

Handle

Contents: 1 inside pull; 1 thumb lock; installation fasteners.

Description: Extruded aluminum handle assembly with wood insert; no outside pull; use with E-2008, E-2009, E-2014 & E-2111 mortise latches; non-handed; used by several door manufacturers.

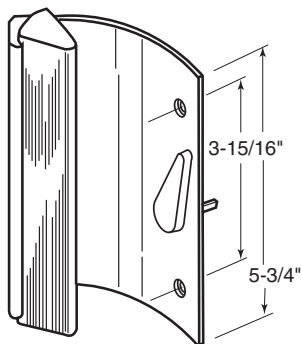


- C-1155** (Aluminum)
- C-1184** (Bronze)

Handle

Contents: 1 inside pull; 1 thumb latch; installation fasteners.

Description: Extruded aluminum inside pull with wood handle; diecast thumb turn and latch activator.



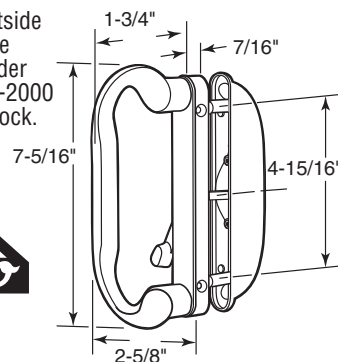
Call For Availability

- C-1040** (Aluminum)
- C-1042** (Bronze)

Handle Set

Contents: 1 inside pull; 1 outside pull; 1 thumb latch; installation fasteners.

Description: Diecast inside and outside pulls with thumb lever; 7/32" square drive; reversible handle; white powder coated finish; mortise style, uses E-2000 to key lock; fits E-2192 dual point lock.

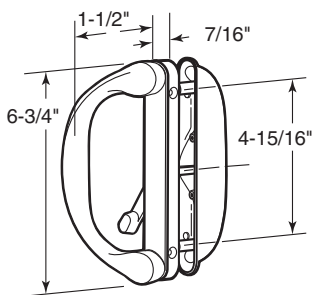


- C-1277** (White)

Handle Set

Contents: 1 inside pull; 1 outside pull; 1 thumb latch; installation fasteners.

Description: Diecast inside and outside pulls with thumb lever; 7/32" square drive; reversible handle; white powder coated finish; mortise style, uses E-2000 to key lock; fits E-2192 dual point lock.

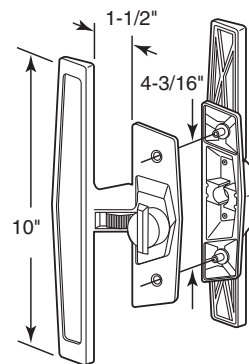


- C-1275** (White)

Handle Set

Contents: 1 inside pull; 1 outside pull; 1 thumb latch; installation fasteners.

Description: Diecast inside latch assembly; diecast outside pull handle; with thumb turn and night latch feature; use with E-2008, E-2009, E-2014 & E-2111 mortise latches; non-handed; used by several door manufacturers.



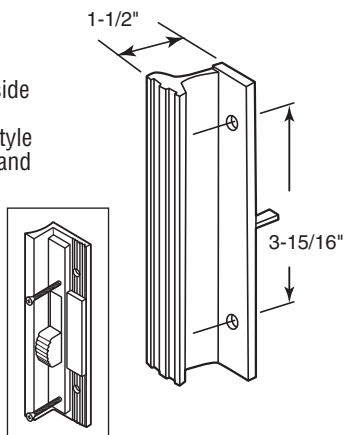
- C-1205** (Bronze)

Inside Pull and Actuator

Contents: 1 inside pull; 1 set of installation fasteners.

Description: Extruded aluminum inside latch assembly; tail piece operates E-2008, E-2009, E-2014 & E-2111 style mortise latches; used on *Fullview*[®] and *Sun Valley Glass*[®] doors.

Old Style

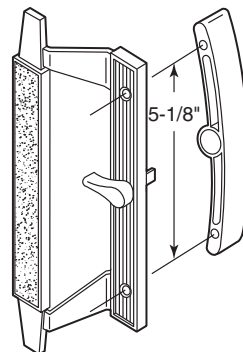


- C-1026** (Aluminum)
- C-1164** (Bronze)

Handle Set

Contents: 1 inside pull; 1 outside pull; 1 thumb latch; installation fasteners.

Description: Diecast inside pull handle; diecast outside pull; use with E-2008, E-2009, E-2014 & E-2111 mortise latches; fits *Howard*[®].

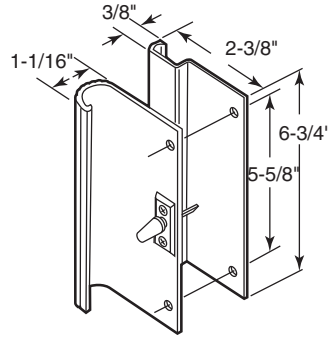


- C-1297** (Gray)

Handle Set

Contents: 1 inside pull; 1 outside pull; 1 thumb latch; installation fasteners.

Description: Extruded aluminum inside pull handle with diecast thumb turn; extruded aluminum outside pull; used with all mortise latches; non-handed; used by several door manufacturers.

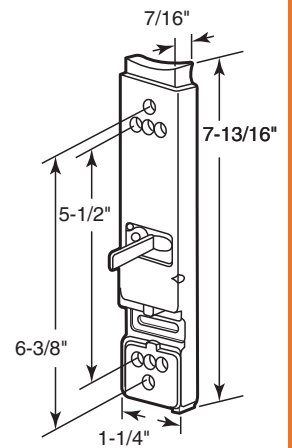


C-1039 (Aluminum)

Inside Pull and Actuator

Contents: 1 inside slide latch.

Description: Extruded aluminum housing with plastic slide activator; surface lock mechanism used by **Kawaneer**®, **Arcadia**® and others; works with most mortise locks; satin anodized aluminum finish.



C-1156 (Aluminum)

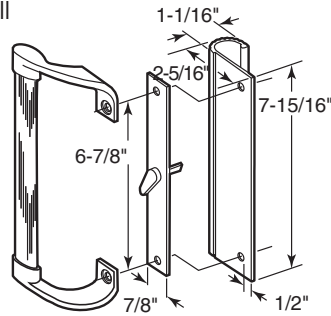
Call For Availability

PATIO DOOR

Handle Set

Contents: 1 inside pull; 1 latch plate; 1 outside pull; installation fasteners.

Description: Extruded aluminum interior handle plate with thumb turn; wood pull handle with diecast end brackets; extruded aluminum outside pull handle; used with all mortise latches; non-handed; fits **Daryl**® doors.



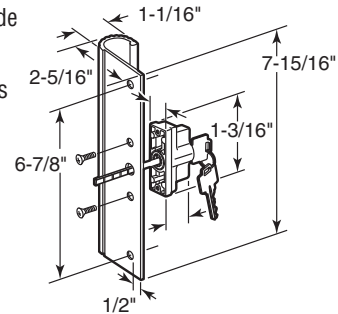
C-1036 (Aluminum - Keyed)

C-1035 (Aluminum)

Outside Pull

Contents: 1 extruded aluminum outside pull; 1 locking cylinder with 2 keys; installation fasteners.

Description: Extruded aluminum outside pull with key cylinder and diecast cylinder housing; designed to be used with C-1035 to convert existing handles to outside keyed; fits **Daryl**® doors.

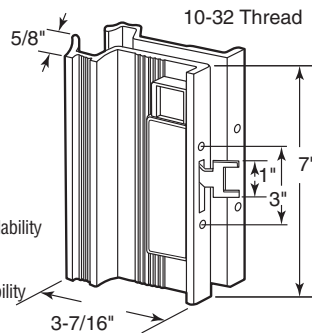


C-1037 (Aluminum)

Handle Set

Contents: 1 inside pull; 1 outside pull; installation fasteners.

Description: Extruded aluminum inside pull; with plastic latch assembly and steel actuator fork; extruded aluminum outside pull; fits **Guaranteed**® patio door; originally the handle extrusions differed slightly in height, today there is only one profile and the package includes spacers for under the handle base for use with single glazed doors.



C-1029 (Single glazed-keyed) Call for availability

C-1028 (Single glazed)

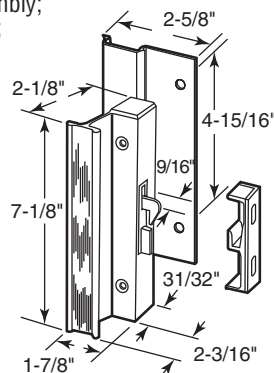
C-1142 (Dual glazed-keyed) Call for availability

C-1143 (Dual glazed)

Handle Set (High base height)

Contents: 1 inside pull and latch assembly; 1 outside pull; 1 face mounting keeper; installation fasteners.

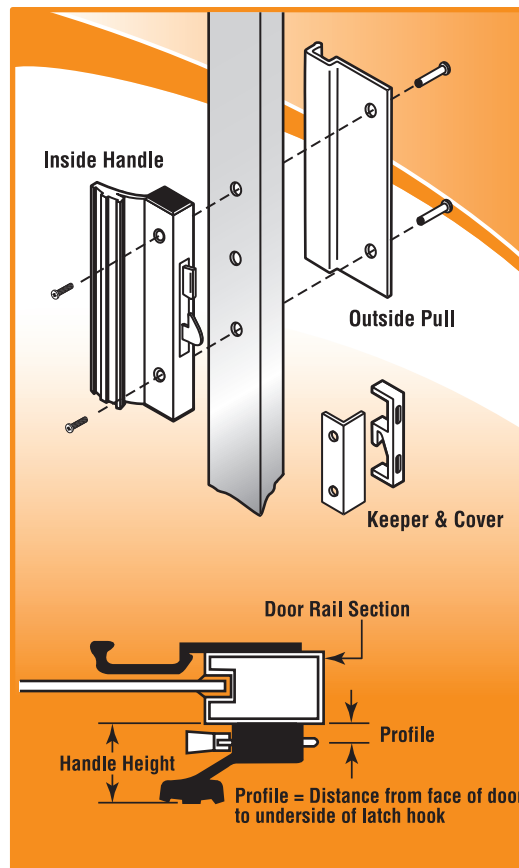
Description: Extruded aluminum inside latch and outside pull; reversible internal hook latch for left or right handing; overall handle height is 2-1/8"; latch hook profile is 9/16"; outside pull has deep backset for wide rails.



C-1002 (Aluminum)

C-1003 (Black)

C-1094 (Black - Keyed)

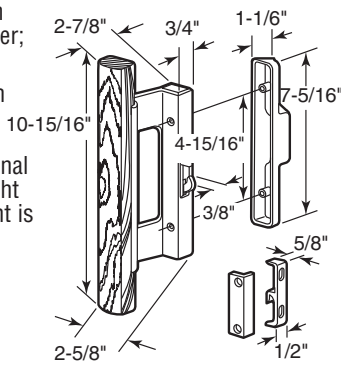


The following pages offer a comprehensive selection of:
SURFACE MOUNT - HOOK STYLE HANDLE SETS

Handle Set

Contents: 1 inside pull and latch assembly; 1 outside pull; 1 keeper; installation fasteners.

Description: Extruded aluminum inside pull includes wood handle; keyable diecast outside pull; fixed anti-lift bar for additional security; reversible for left or right hand doors; overall handle height is 3-1/2"; latch hook profile is 3/8".

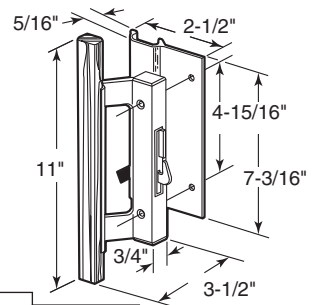


C-1105 (Black)

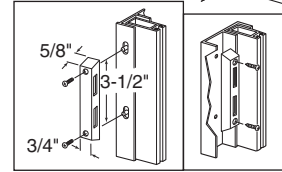
Handle Set

Contents: 1 inside pull and latch assembly; 1 outside pull; side and face mount keeper; installation fasteners.

Description: High profile extruded aluminum inside latch with wood pull, extruded aluminum outside pull; reversible internal hook latch for left or right handing; handle height is 3-1/2"; hook latch profile is 3/8"



C-1060 (Aluminum)
C-1061 (Black)

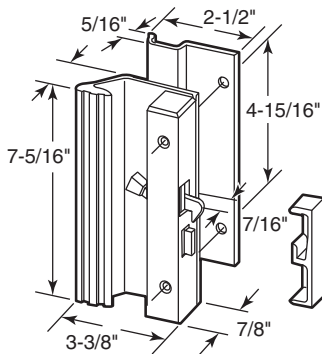


Includes Universal Keeper Set

Handle Set (Low handle height)

Contents: 1 inside pull and latch assembly; 1 outside pull; 1 face mounting keeper; installation fasteners.

Description: Low profile extruded aluminum inside latch and outside pull; this very low profile hook latch style handle has an overall height of just 1"; latch hook profile is 7/16"; ideal for doors with vertical or horizontal blinds; will inter-change with all popular hook latch handles, used by several door manufacturers.

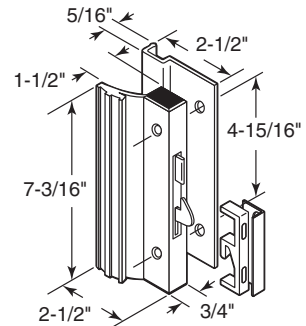


C-1004 (Aluminum)
C-1007 (Black)
C-1191 (White)

Handle Set (Standard handle height)

Contents: 1 inside pull and latch assembly; 1 outside pull; 1 face mounting keeper; installation fasteners.

Description: Extruded aluminum inside latch and outside pull; reversible internal hook latch for left or right handing; overall handle height is 1-1/2"; latch hook profile is 3/8"; used by several door manufacturers.

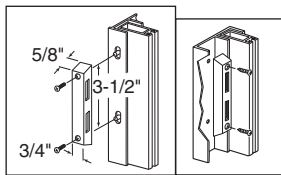
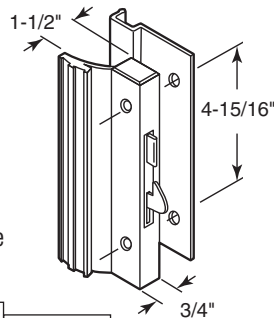


C-1000 (Aluminum)
C-1001 (Black)
C-1185 (Bronze)
C-1203 (White)

Handle Set (Standard handle height)

Contents: 1 deluxe inside pull and latch assembly; 1 outside pull; side and face mount keeper; installation fasteners.

Description: Extruded aluminum inside latch and outside pull; reversible internal hook latch for left or right handing; handle height is 1-1/2"; hook latch profile is 3/8"; same handle set as C-1000 except, package includes two keepers, one face mount and one side mount.



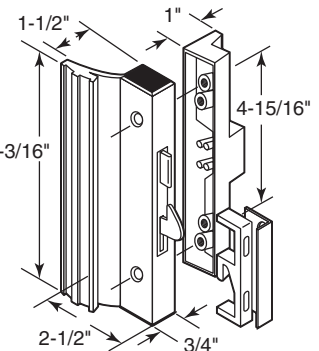
Includes Universal Keeper Set

C-1070 (Aluminum)
C-1071 (Black)

Handle Set (Standard handle height)

Contents: 1 inside pull and latch assembly; 1 outside pull; 1 face mounting keeper; installation fasteners.

Description: Extruded aluminum inside latch and diecast outside pull; reversible internal hook latch for left or right handing; overall handle height is 1-1/2"; latch hook profile is 3/8"; use E-2000 to key lock; used by several door manufacturers.

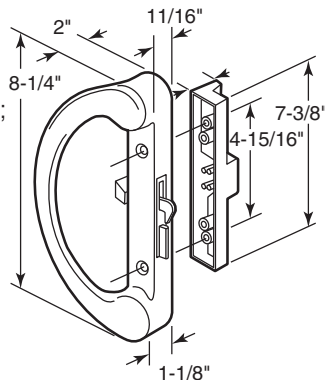


C-1198 (Aluminum)
C-1125 (Black)
C-1118 (White)
C-1119 (Almond)

Handle Set

Contents: 1 inside pull; 1 outside pull; installation fasteners.

Description: Heavy duty diecast handle and latch assembly; diecast outside pull; reversible internal hook latch for left or right handing; fits most standard surface hook handles.



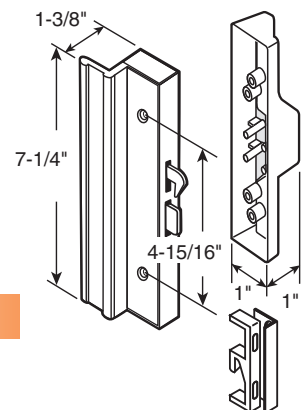
Upgrade

C-1252 (Black)
C-1253 (White)
C-1255 (Gray)

Handle Set (Standard handle height)

Contents: 1 inside pull and latch assembly; 1 outside pull; 1 face mounting keeper; installation fasteners.

Description: Black plastic inside and outside pull; steel hook assembly; 4-15/16" mounting hole centers; primarily used in Canada.



Used primarily in Canada

C-1218 (Black)

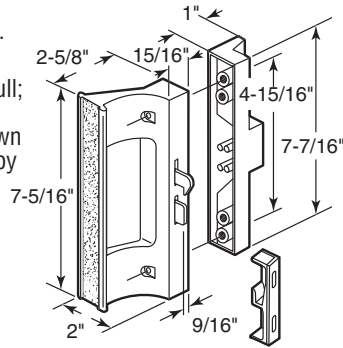
Handle Set

Contents: 1 inside pull and latch assembly; 1 outside pull; 1 face mounting keeper; installation fasteners.

Description: Plastic inside latch body with steel hook latch; plastic outside pull; non-reversible hook latch, however handle can be mounted hook up or down for handing, primarily used in Canada by several door manufacturers.



Used primarily in Canada



C-1216 (Black)

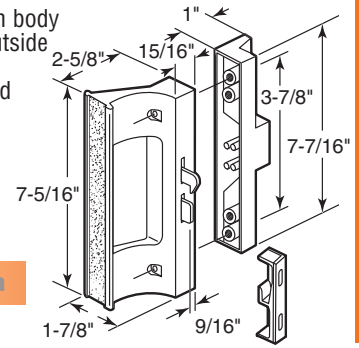
Handle Set

Contents: 1 inside pull and latch assembly; 1 outside pull; 1 face mounting keeper; installation fasteners.

Description: Plastic inside latch body with steel hook latch; plastic outside pull; non-reversible hook latch, however handle can be mounted hook up or down for handing, primarily used in Canada by several door manufacturers.



Used primarily in Canada

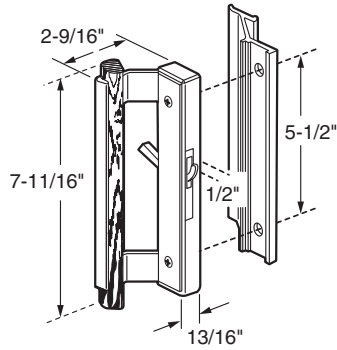


C-1300 (Black)

Handle Set

Contents: 1 inside pull and latch assembly; 1 outside pull; installation fasteners.

Description: Extruded aluminum inside latch with wood pull insert and plastic base; extruded aluminum outside pull; reversible internal hook latch for left or right handing; fits **Adams Rite**® and used by several door manufacturers.

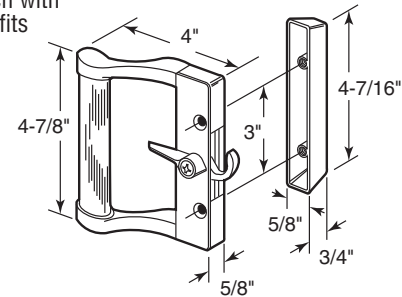


C-1093 (Black)

Handle Set

Contents: 1 inside pull and latch assembly; 1 outside pull; installation fasteners.

Description: Diecast inside latch with wood pull; diecast outside pull fits **Fullview**® doors.



C-1023 (Aluminum)

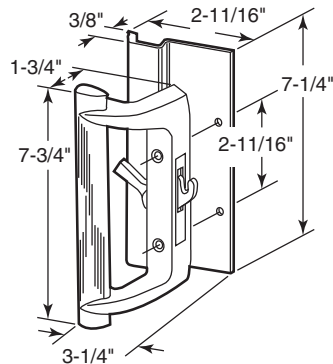
C-1024 (Black)

Handle Set

Contents: 1 inside pull and latch assembly; 1 outside pull; installation fasteners.

Description: Diecast inside latch with wood pull; extruded aluminum outside pull; reversible internal hook latch for left or right handing; fits **Cupples**® doors.

Call For Availability



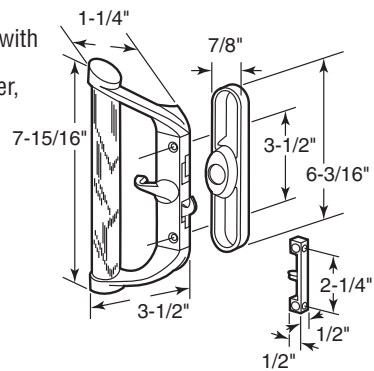
C-1048 (Aluminum)

C-1084 (Black)

Handle Set

Contents: 1 inside pull and latch assembly; 1 outside pull; 1 keeper; installation fasteners.

Description: Diecast inside latch with wood pull; diecast outside pull; non-reversible hook latch, however, handle can be turned hook up or down for handing; used by several door manufacturers.



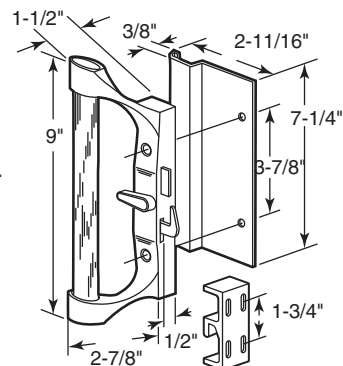
C-1017 (Gray - Keyed)

C-1016 (Gray)

Handle Set

Contents: 1 inside pull and latch assembly; 1 outside pull; 1 keeper; installation fasteners.

Description: Diecast inside latch with wood pull; extruded aluminum outside pull; reversible internal hook latch for left or right handing; fits **Sears**® doors.



C-1020 (Gray)

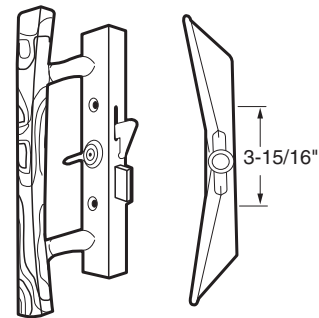
C-1021 (Bronze)

Handle Set

Contents: 1 inside pull and latch assembly; 1 outside pull; installation fasteners.

Description: Diecast inside pull with wood insert; diecast outside pull and anti-lift bar for additional security; for right or left handed applications.

Call For Availability

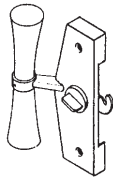


C-1187 (Aluminum)

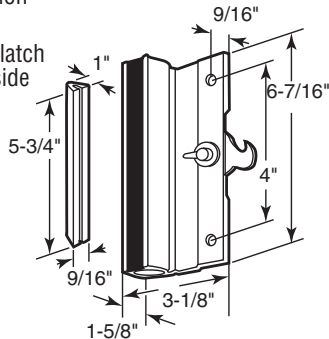
Handle Set

Contents: 1 inside pull and latch assembly; 1 outside pull; installation fasteners.

Description: Extruded aluminum latch and pull; extruded aluminum outside pull; stamped steel hook; fits **Premier**® doors.



Old Style



Right hand shown

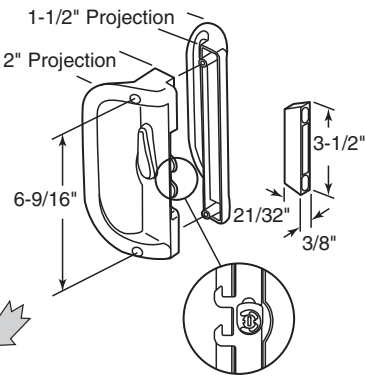
- C-1052** (Aluminum - Left)
- C-1059** (Aluminum - Right)

Handle Set

Contents: 1 inside pull and latch assembly; 1 outside pull; 1 keeper; installation fasteners.

Description: Diecast handle and latch assembly; diecast outside pull; dual latching hooks for extra security; primarily used in Canada by several door manufacturers.

Note: See part number C-1254 matching outside pull with key cylinder and key adapter.



Used primarily in Canada

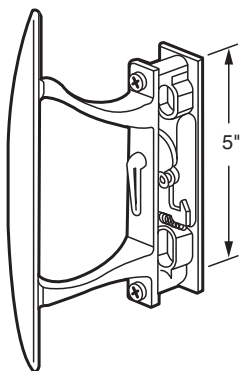


- C-1221** (White)

Handle Set

Contents: 1 inside pull and latch; 1 outside pull; 1 set of installation fasteners.

Description: Diecast latch handle and pull; diecast outside pull; fits **Tucker**® doors.



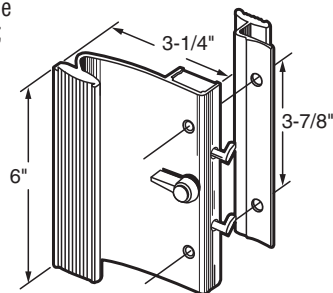
Right hand shown

- C-1065** (Gray - Left)
- C-1066** (Gray - Right)

Handle Set

Contents: 1 inside pull and latch assembly; 1 outside pull; installation fasteners.

Description: Extruded aluminum inside latch; extruded aluminum outside pull; spring loaded hook pins twist to lock into door jamb; no keeper required; fits **Ador Hilite**® doors.

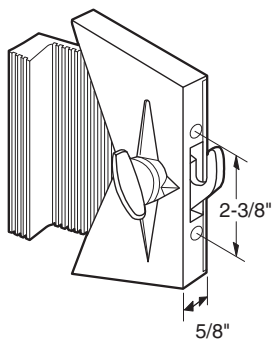


- C-1014** (Aluminum)
- C-1015** (Black)

Handle Set

Contents: 1 inside pull and latch assembly.

Description: Fits **Horizon**® doors; replaces old style plastic handle; also known as **Star Lock**®; heavy diecast lock.



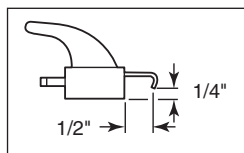
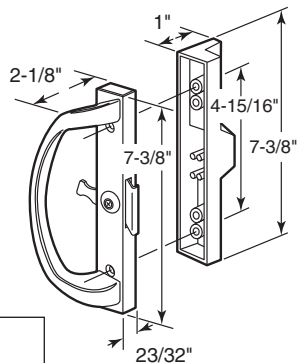
Call For Availability

- C-1046** (Black)

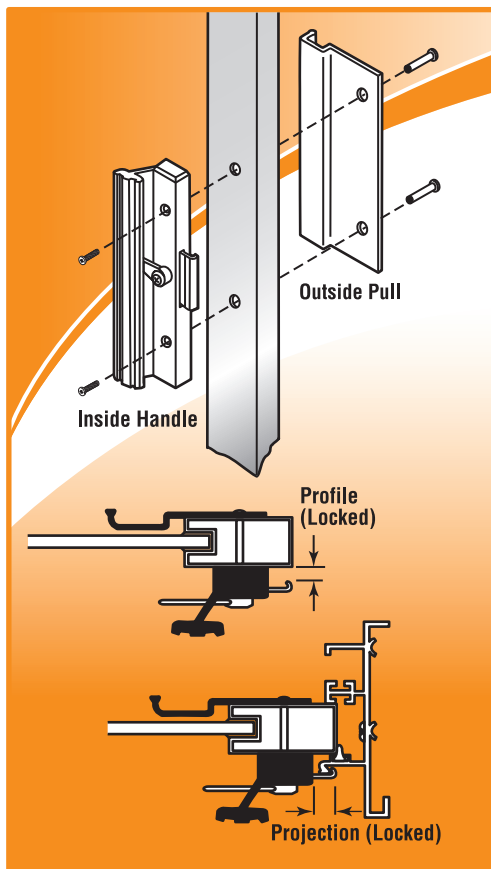
Handle Set

Contents: 1 inside pull and latch assembly; 1 outside pull; installation fasteners.

Description: Diecast pull handle; extruded aluminum inside latch base; diecast outside pull; stamped steel clamp that flips down to engage door jamb; no keeper required; clamp profile is 1/4"; clamp projection is 1/2" when clamp is in the locked position; see clamp illustration.



- C-1263** (White)

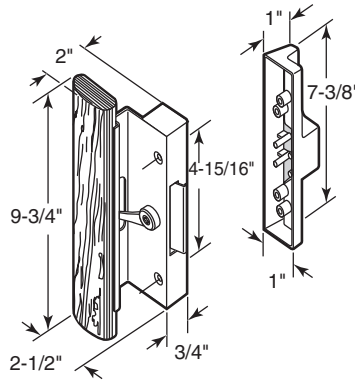


The following pages offer a comprehensive selection of:
SURFACE MOUNT - CLAMP STYLE HANDLE SETS

Handle Set

Contents: 1 inside pull and latch assembly; 1 outside pull; installation fasteners.

Description: Extruded aluminum inside handle with hardwood pull; diecast outside pull; stamped steel clamp that flips down to engage door jamb; no keeper required; clamp profile is 1/4"; clamp projection is 1/2" when clamp is in the locked position; used by several door manufacturers.

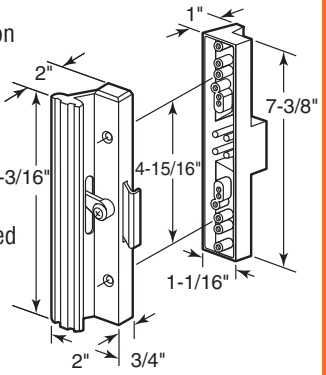


C-1126 (Black)

Handle Set

Contents: 1 inside pull and latch assembly; 1 outside pull; installation fasteners.

Description: Extruded aluminum inside latch; diecast outside pull; stamped steel clamp that flips down to engage door jamb; no keeper required; clamp profile is 1/4"; clamp projection is 1/2" when clamp is in the locked position; used by several door manufacturers.

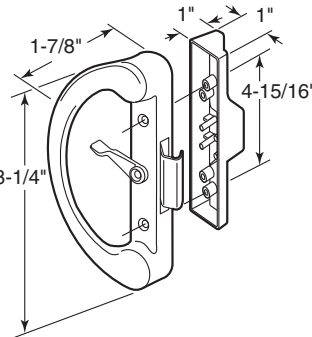


C-1248 (Aluminum)
C-1106 (Black)
C-1116 (White)
C-1117 (Almond)

Handle Set

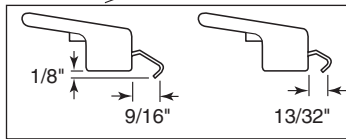
Contents: 1 inside pull and latch assembly; 1 outside pull; installation fasteners.

Description: Diecast inside latch; diecast outside pull; 2 interchangeable clamps; this clamp style latch was designed to meet or exceed the 850-pound forced entry pull test; no keeper required; replaces most clamp latch systems.



Upgrade

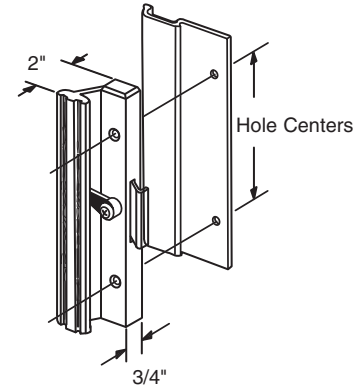
C-1222 (Black)
C-1223 (White)



Handle Set

Contents: 1 inside pull and latch assembly; 1 outside pull; installation fasteners.

Description: Extruded aluminum inside latch; extruded aluminum outside pull; stamped steel clamp that flips down to engage door jamb; no keeper required; clamp profile is 1/4"; clamp projection is 1/2" when clamp is in the locked position; used by several door manufacturers.

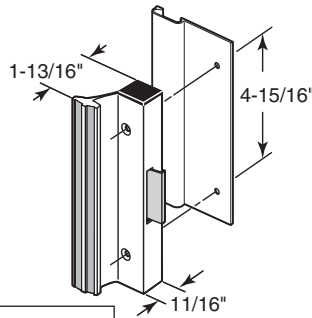


C-1005 (Aluminum 4-15/16")
C-1323 (Aluminum 3-15/16") Call for availability
C-1006 (Black 4-15/16")

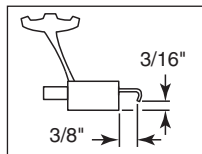
Handle Set

Contents: 1 inside pull and latch assembly; 1 outside pull; installation fasteners.

Description: Extruded aluminum inside latch; extruded aluminum outside pull; similar in style to the C-1005, however, clamp is activated with a black plastic vertical slide underneath the pull handle, the clamp is spring loaded, allowing 1/8" play in clamp profile height.



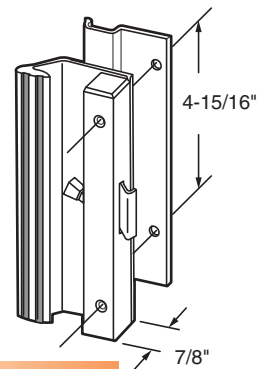
C-1162 (Aluminum)
C-1163 (Bronze)



Handle Set

Contents: 1 inside pull and latch assembly; 1 outside pull; installation fasteners.

Description: Low profile extruded aluminum inside latch; extruded outside pull; this very low profile clamp style handle has an overall height of just 1"; ideal for doors with vertical blinds; clamp profile is 1/4"; clamp projection is 1/2"; will inter-change with most standard clamp style handles; used by several door manufacturers.



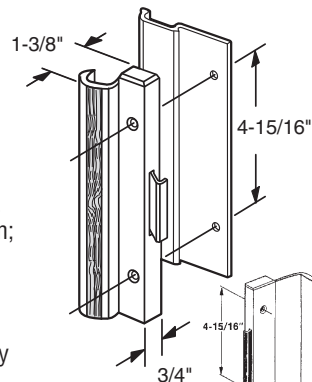
C-1249 (Aluminum)
C-1250 (Black)
C-1251 (White)

Call For Availability

Handle Set

Contents: 1 inside pull and latch assembly; 1 outside pull; installation fasteners.

Description: Extruded aluminum inside latch; extruded aluminum outside pull; stamped steel clamp that flips down to engage door jamb; no keeper required; clamp profile is 1/4"; clamp projection is 1/2" when clamp is in the locked position; original design shown was for *Northrop Architectural*® doors.



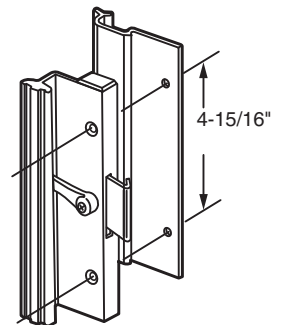
C-1213 (Aluminum) Call for availability
C-1027 (Black)
C-1214 (White)

Old Style

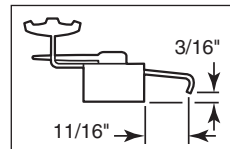
Handle Set (Long clamp)

Contents: 1 inside pull and latch assembly; 1 outside pull; installation fasteners.

Description: Extruded aluminum inside latch; extruded aluminum outside pull; no keeper required; special long 11/16" projection stamped steel clamp; profile is 3/16"; when clamp is in the locked position; fits *Lupton*® and *Rolleze*® doors.



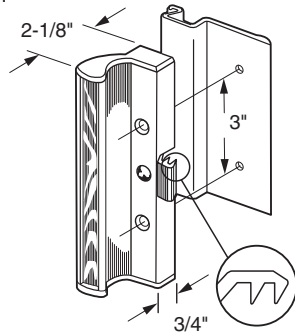
C-1077 (Aluminum)
C-1078 (Black)



Handle Set

Contents: 1 inside pull and latch assembly; 1 outside pull; installation fasteners.

Description: Extruded aluminum inside latch; extruded aluminum outside pull; unique extruded aluminum saw-tooth style clamp locks door automatically when clamp is in the locked position and the door is being closed; fits **900 series International®** doors.



Special Hook

C-1055 (Aluminum)

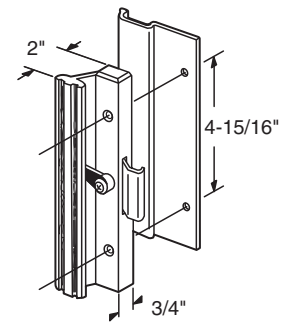
C-1073 (Black)

C-1206 (White)

Handle Set (Deep reach)

Contents: 1 inside pull and latch assembly; 1 outside pull; installation fasteners.

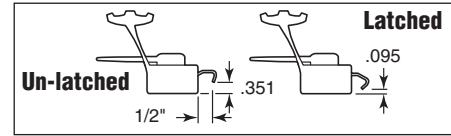
Description: Extruded aluminum inside latch; extruded aluminum outside pull; no keeper required; special formed stamped steel clamp; profile in latched position is only 3/32"; unlocked 11/32"; modified for use on early **Look** and **Rusco-Hilte** doors manufactured in the southeast.



C-1243 (Aluminum)

C-1244 (Black)

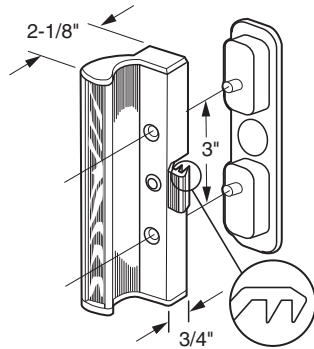
C-1245 (White)



Handle Set

Contents: 1 inside pull and latch assembly; 1 outside pull; installation fasteners.

Description: Extruded aluminum inside latch; diecast outside pull; unique extruded aluminum saw tooth style clamp locks door automatically when clamp is in the locked position and the door is slid closed; fits **950 series International®** doors.



Special Hook

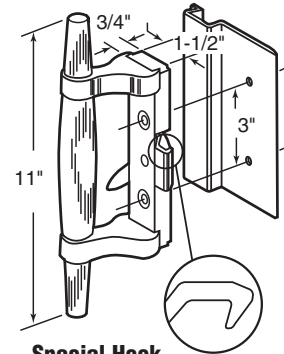
C-1201 (Black)

C-1202 (White)

Handle Set

Contents: 1 inside pull and latch assembly; 1 outside pull; installation fasteners.

Description: Extruded aluminum inside pull with wood handle; complete with plastic thumbturn and aluminum clamp-latch assembly; flush extruded aluminum outside pull; fits **International®** doors (deluxe series handle); latch hook profile is 1/4" and the projection is 9/16".



Special Hook

Call For Availability

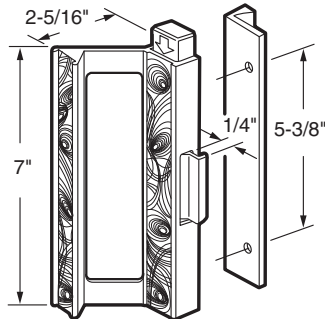
C-1022 (Aluminum)

C-1072 (Black)

Handle Set

Contents: 1 inside pull and latch assembly; 1 outside pull; installation fasteners.

Description: Anodized extruded aluminum clamp-type latch; extruded aluminum outside pull; fits on doors by **Rusco/Hilite®**.



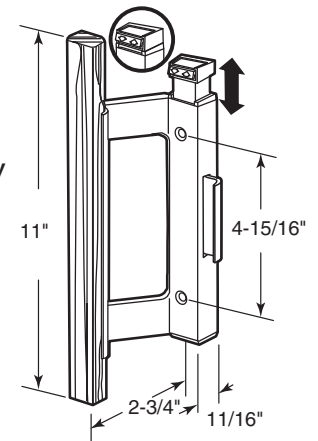
Call For Availability

C-1092 (Black)

Handle (Reverse clamp)

Contents: 1 inside pull and latch assembly; installation fasteners.

Description: Extruded aluminum inside latch with wood insert; reverse clamp; handle is operated by a plastic slide on top of the base, non-handed; fits **Window Master®** doors.

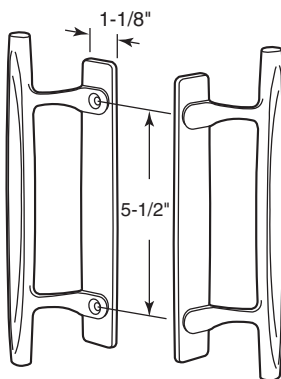


C-1238 (Black)

Handle Set

Contents: 1 inside pull assembly; 1 outside pull; installation fasteners.

Description: Diecast inside pull handle; diecast outside pull handle; fits **Andersen®**.

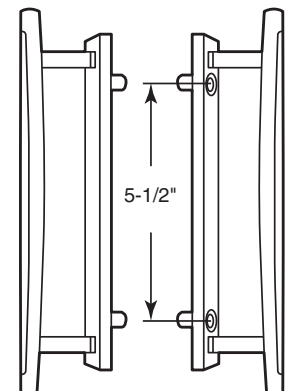


C-1247 (Stone)

Handle Set

Contents: 1 inside pull assembly; 1 outside pull; installation fasteners.

Description: Diecast inside pull handle; diecast outside pull handle; non-handed; fits **Andersen®**.

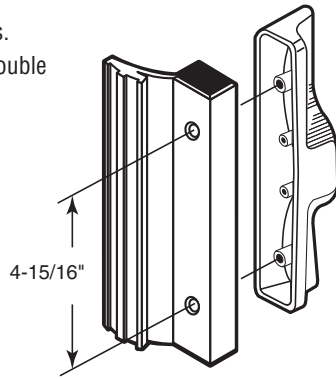


C-1246 (Stone)

Handle Set

Contents: 1 inside pull assembly; 1 outside pull; installation fasteners.

Description: Dummy pull set for double door applications.

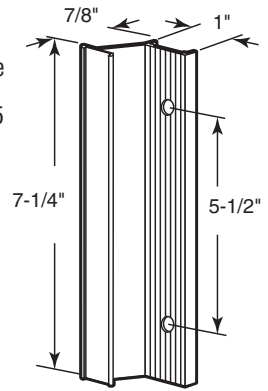


C-1304 (Black)

Pull

Contents: 1 pull.

Description: Extruded aluminum outside pull; 5-1/2" mounting hole pattern common on *Adams Rite*® handles; can be used with C-1155 inside pull handles.

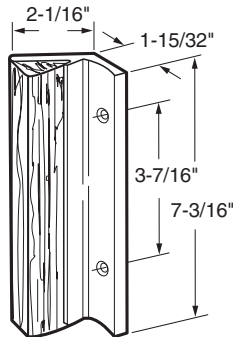


C-1083 (Aluminum)

Pull

Contents: 1 pull.

Description: Extruded aluminum handle with wood insert; fits many applications.



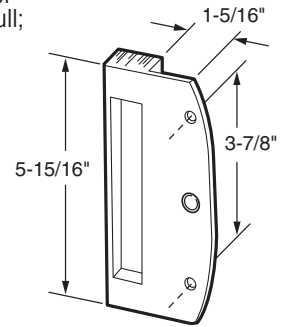
Call For Availability

C-1082 (Black)

Pull

Contents: 1 pull.

Description: Diecast, low profile; brushed aluminum finish; knock-out plug for thumb turn when used as inside pull; 3-7/8" hole spacing.



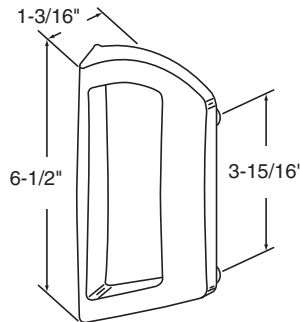
Call For Availability

C-1081 (Aluminum)

Pull

Contents: 1 pull.

Description: Diecast outside pull; 3-15/16" mounting hole pattern; use E-2144 to key lock; used with C-1127 style inside handles.

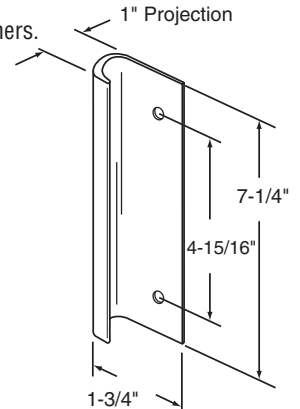


C-1122 (Black)
C-1209 (White)

Pull

Contents: 1 pull; installation fasteners.

Description: Extruded aluminum outside pull; 4-15/16" mounting hole pattern; has a tall "J" pattern for ease of opening or closing.

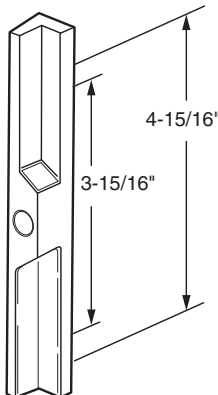


C-1136 (Aluminum)
C-1137 (Black)
C-1138 (White)

Pull

Contents: 1 pull; installation fasteners.

Description: Plastic outside pull; similar in design to C-1096, this pull is ideal for corrosive environments; has two mounting hole patterns; 3-15/16" and 4-15/16".

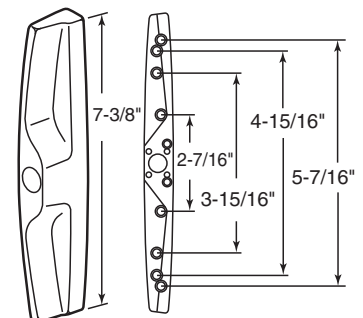


C-1097 (Black)
C-1140 (White)

Pull

Contents: 1 pull; installation fasteners.

Description: Diecast outside pull with a multi-mounting hole pattern; 4 different hole patterns.

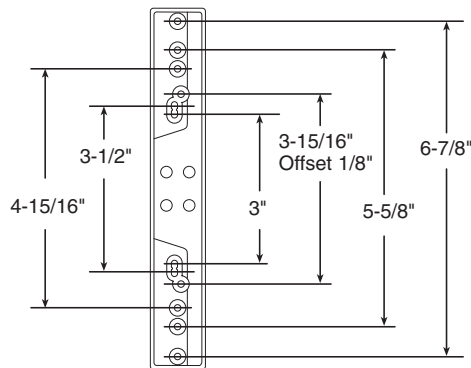
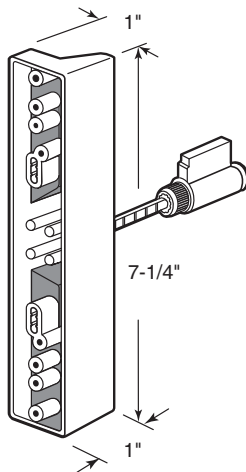


C-1310 (Black)
C-1311 (White)
C-1312 (Almond)
C-1302 (Satin nickel)

Pull & Key Lock

Contents: 1 painted diecast pull; 1 locking cylinder; installation fasteners.

Description: Diecast outside pull with a multi-mounting hole pattern; 6 different hole patterns; center plug has been bored out for an E-2000 key cylinder.



C-1139 (Black - Keyed)

C-1096 (Black)

C-1158 (Gray - Keyed)

C-1150 (Gray)

C-1120 (White - Keyed)

C-1113 (White)

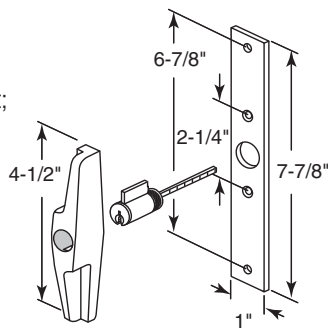
C-1121 (Almond - Keyed)

C-1114 (Almond)

Pull & Key Lock

Contents: 1 zinc diecast outside pull; 1 aluminum cover plate; 1 locking cylinder with 2 keys; installation fasteners.

Description: Non-handed locking unit; cover plate pre-drilled at 2-1/4" and 6-7/8" hole centers; fits *Daryl*® and other glass doors.

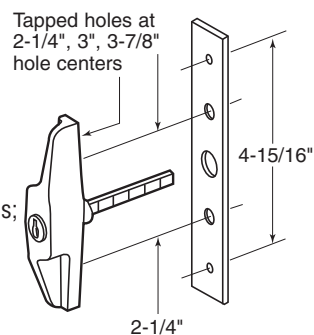


C-1141 (Aluminum)

Pull & Key Lock

Contents: 1 zinc diecast outside pull; 1 aluminum cover plate; 1 locking cylinder with 2 keys; installation fasteners.

Description: Diecast outside pull; key cylinder; aluminum mounting plate; the outside pull used by itself will fit either 2-1/4"; 3"; 3-7/8" hole centers; attaching the optional mounting plate allows this pull to be used for 4-15/16" hole patterns; outside pull has been bored for an E-2000 key cylinder.



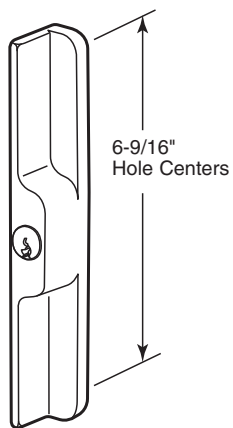
C-1049 (Aluminum)

C-1157 (Black)

Pull & Key Lock

Contents: 1 diecast outside pull; 1 locking cylinder with 2 keys; installation fasteners.

Description: White diecast outside pull; with key cylinder; fits C-1221 handle.



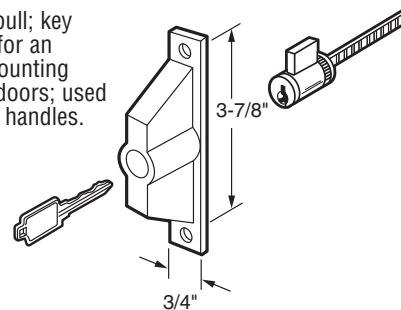
Used primarily in Canada

C-1254 (White)

Pull & Key Lock

Contents: 1 diecast outside pull; 1 locking cylinder with 2 keys; installation fasteners.

Description: Diecast outside pull; key cylinder; pull has been bored for an E-2000 key cylinder; 3-7/8" mounting hole pattern fits *Ador-Hilite*® doors; used with C-1014 and C-1015 door handles.



Call For Availability

C-1012 (Gray - Keyed)

C-1010 (Gray)

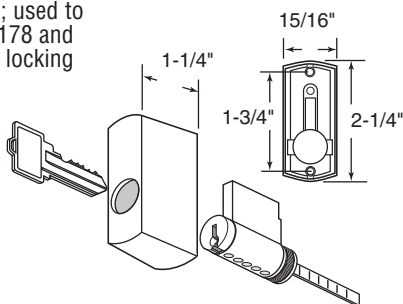
C-1013 (Black - Keyed)

C-1011 (Black)

Keyed Locking Unit

Contents: 1 lock housing; 1 cylinder lock with 2 keys; installation fasteners.

Description: Diecast housing; used to convert C-1174, C-1176, C-1178 and C-1280 thru C-1287 to keyed locking handle.



E-2145 (White)

E-2146 (Brass)

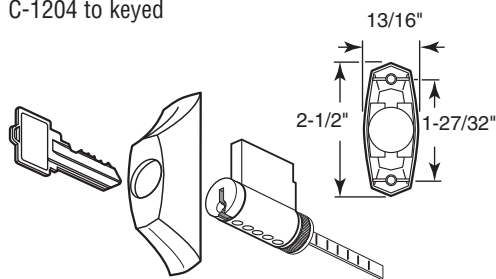
E-2194 (Classic bronze)

E-2195 (Satin nickel)

Keyed Locking Unit

Contents: 1 lock housing; 1 cylinder lock with 2 keys; installation fasteners.

Description: Diecast housing; used to convert C-1131 and C-1204 to keyed locking handle.

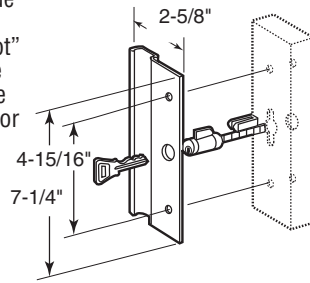


E-2144 (White)

Pull & Key Lock

Contents: 1 outside pull; 1 locking cylinder; 1 cylinder clip.

Description: Extruded aluminum outside pull; E-2000 key cylinder; tail piece retainer; some door stiles have "key-slot" type punched holes between the handle mounting holes to allow the body of the key cylinder to work from inside the door stile, therefore not requiring a raised outside pull; used with most surface mount handle sets having 4-15/16" hole centers.

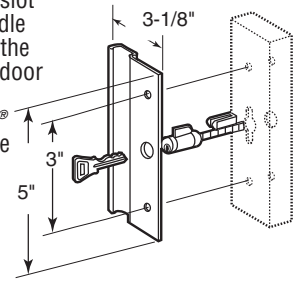


E-2070 (Aluminum)
E-2071 (Black)

Pull & Key Lock

Contents: 1 outside pull; 1 locking cylinder; 1 cylinder clip.

Description: Extruded aluminum outside pull; E-2000 key cylinder; tail piece retainer; some door stiles have "key-slot" type punched holes between the handle mounting holes to allow the body of the key cylinder to work from inside the door stile, therefore not requiring a raised outside pull; used with **International**® handles C-1055 and C-1073 on single glazed doors.

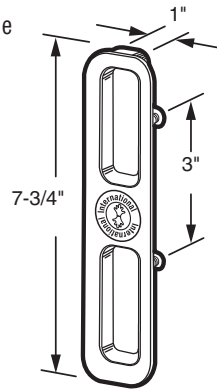


E-2072 (Aluminum)
E-2073 (Black)

Pull

Contents: 1 pull; installation fasteners.

Description: Diecast flush mount outside pull; fits **International**® **Series 950** dual glazed doors; used with C-1055 and C-1073 inside latches; can accept an E-2000 key cylinder.

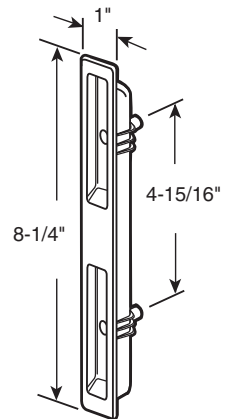


C-1087 (Black)
C-1207 (White)

Pull

Contents: 1 pull; installation fasteners.

Description: Injected plastic outside pull; with 2 binder posts; fits **Window Master**® doors; can be used with C-1238 inside pull.



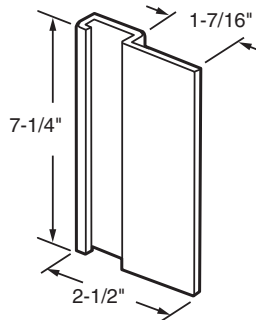
C-1217 (Black)

***Call For Availability**

Pull

Contents: 1 pull; installation fasteners.

Description: Extruded aluminum outside pull handle; universal application; no pre-drilled mounting holes; to be drilled to meet application.

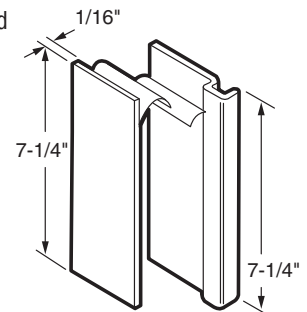


C-1008 (Aluminum)
C-1009 (Black)

Handle Set

Contents: 1 inside cover plate; 1 outside pull.

Description: Extruded aluminum inside shim or cover plate 1/16" thick; extruded aluminum outside pull; both have adhesive back tape; both can be drilled to meet installation requirements; inside shim is handy when replacing an older surface mount handle with a newer handle requiring new hole centers to be drilled.



C-1062 (Aluminum)
C-1063 (Black)

Part No.	Description	Page No.	Package Quantity	Standard Pack
D-1500 (1" O.D.)	Roller	1	2	6
D-1501 (1-1/8" O.D.)	Roller	1	2	6
D-1502 (1-1/4" O.D.)	Roller	1	2	6
D-1503	Roller	1	2	6
D-1504 (1-1/4" O.D.)	Roller	2	2	6
D-1505	Roller	3	2	6
D-1506	Roller	2	2	6
D-1507	Roller	2	2	6
D-1508	Roller Assembly	19	1	6
D-1509	Roller Assembly	19	1	6
D-1510 (1-1/4" O.D. Nylon)	Roller Assembly	19	1	6
D-1511 (1-1/2" O.D. Nylon)	Roller Assembly	19	1	6
D-1512 (Nylon)	Roller Assembly	17	1	6
D-1513	Roller Assembly	19	1	6
D-1514	Roller Assembly	22	1	6
D-1515	Roller Assembly	19	1	6
D-1516 (Nylon)	Roller Assembly	17	1	6
D-1517	Roller Assembly	20	1	6
D-1518 (Steel)	Roller Assembly	16	1	6
D-1518-SS	Roller Assembly	16	1	6
D-1519 (1-1/4" O.D. Steel)	Roller Assembly	22	1	6
D-1520	Roller Assembly	19	1	6
D-1521	Roller Assembly	19	1	6
D-1522 (Nylon)	Roller Assembly	18	1	6
D-1523 (1-1/8" O.D. Steel)	Roller Assembly	14	1	6
D-1523-SS (1-1/8" O.D.)	Roller Assembly	15	1	6
D-1524	Roller Assembly	15	1	6
D-1525 (1-1/2" O.D. Steel)	Roller Assembly	14	1	6
D-1525-SS (1-1/2" O.D.)	Roller Assembly	15	1	6
D-1526 (1-1/4" O.D.)	Roller Assembly	15	1	6
D-1527 (1-1/8" O.D.)	Roller Assembly	15	1	6
D-1528 (1-1/8" O.D.)	Roller Assembly	15	1	6
D-1529	Roller Assembly	15	1	6
D-1530	Roller Assembly	20	1	6
D-1531	Roller Assembly	20	1	6
D-1532 (1-1/4" O.D. Steel)	Roller Assembly	13	1	6
D-1533 (1-1/2" O.D. Steel)	Roller Assembly	13	1	6
D-1533-SS (1-1/2" O.D. Stainless steel)	Roller Assembly	13	1	6
D-1534 (Steel)	Roller Assembly	25	1	6
D-1535 (1-1/4" O.D. Nylon - 1-5/16" MCH)	Roller Assembly	12	1	6
D-1536	Roller Assembly	12	1	6
D-1537 (1-1/2" O.D. Steel - 1-23/32" MCH)	Roller Assembly	12	1	6
D-1539 (1-1/4" O.D. Nylon)	Roller Assembly	16	1	6
D-1540 (1-1/8" O.D.)	Roller Assembly	21	1	6
D-1541 (1-1/4" O.D. Steel - 1-7/16" MCH)	Roller Assembly	10	1	6
D-1542 (1-1/4" O.D. - 1-17/32" MCH)	Roller Assembly	10	1	6
D-1543	Roller Housing	18	1	6
D-1545	Roller Housing	17	1	6
D-1546 (Nylon)	Roller Assembly	17	1	6
D-1547 (Nylon)	Tandem Roller Assembly	10	1	6
D-1548 (Steel)	Tandem Roller Assembly	10	1	6
D-1549 (1-1/2" O.D. - 2-5/16" MCH)	Tandem Roller Assembly	6	1	6
D-1549-SS	Tandem Roller Assembly	6	1	6
D-1550	Roller Assembly	14	1	6
D-1551 (1-1/8" O.D. Steel - 1-5/16" MCH)	Tandem Roller Assembly	8	1	6
D-1551-SS (1-1/8" O.D. - 1-5/16" MCH)	Tandem Roller Assembly	8	1	6
D-1552 (1-1/4" O.D. Steel - 1-7/16" MCH)	Tandem Roller Assembly	8	1	6
D-1552-SS (1-1/4" O.D. - 1-7/16" MCH)	Tandem Roller Assembly	8	1	6
D-1553 (1-1/2" O.D. Nylon - 1-1/2" MCH)	Tandem Roller Assembly	9	1	6
D-1554	Roller Assembly	12	1	6
D-1555	Roller Assembly	14	1	6
D-1556 (Nylon)	Roller Assembly	18	1	6
D-1557 (1-11/16" O.D. Nylon - 2" MCH)	Roller Assembly	16	1	6
D-1558 (Nylon)	Roller Assembly	20	1	6
D-1559 (.228 Dia.)	Roller Assembly	23	1	6
D-1560	Roller Assembly	13	1	6
D-1561 (1-1/4" O.D.)	Roller Assembly	26	1	6
D-1562 (1-1/2" O.D.)	Roller Assembly	26	1	6

Part No.	Description	Page No.	Package Quantity	Standard Pack
D-1563 (1-1/2" O.D. Steel - 1-1/2" MCH)	Roller Assembly	11	1	6
D-1563-SS	Roller Assembly	11	1	6
D-1564	Roller Assembly	29	1	6
D-1565	Roller Assembly	30	2	6
D-1566	Roller Housing	3	2	6
D-1567	Roller	3	2	6
D-1568 (1-13/16" - Black)	Bumper	31	2	6
D-1569 (2-5/8" - Black)	Bumper	31	4	6
D-1570	Guide	32	4	6
D-1571 (6 ft. coil)	Repair Track	33	1	6
D-1577	Guide	32	1	6
D-1578 (1-1/4" O.D.)	Roller Assembly	20	1	10
D-1579 (96")	Repair Track	33	1	10
D-1580 (120")	Repair Track	33	1	5
D-1581 (96")	Repair Track	33	1	5
D-1582 (120")	Repair Track	33	1	10
D-1583 (72")	Repair Track	33	1	6
D-1584 (1-1/4" O.D. Steel)	Roller Assembly	15	1	6
D-1585 (Steel)	Roller Assembly	17	1	6
D-1586 (Steel)	Tandem Roller Assembly	6	1	6
D-1586-SS (Stainless steel)	Tandem Roller Assembly	6	1	6
D-1587 (1-1/4" O.D. Nylon)	Roller Assembly	14	1	6
D-1588 (1-1/2" O.D. Steel)	Roller Assembly	22	1	6
D-1588 (1-1/2" O.D. Steel)	Roller Assembly	17	1	6
D-1589 (1-1/2" O.D. Nylon)	Roller Assembly	22	1	6
D-1589 (1-1/2" O.D. Nylon)	Roller Assembly	17	1	6
D-1590	Roller Assembly	21	1	6
D-1591	Roller Assembly	29	1	6
D-1594 (1-1/2" O.D. Steel - 1-11/16" MCH)	Roller Assembly	10	1	6
D-1594-SS	Roller Assembly	11	1	6
D-1595 (Nylon)	Roller Assembly	16	1	6
D-1596	Roller Assembly	12	1	6
D-1597 (1-1/2" O.D. Nylon - 1-11/16" MCH)	Roller Assembly	10	1	6
D-1598	Roller Assembly	28	1	6
D-1599 (Nylon)	Roller Assembly	25	1	6
D-1600 (Steel)	Roller Assembly	26	1	6
D-1601	Roller Assembly	23	1	6
D-1602 (Steel)	Roller Assembly	27	1	6
D-1603	Roller Assembly	13	1	6
D-1607 (1-1/4" O.D. Steel - 1-1/2" MCH)	Tandem Roller Assembly	4	1	6
D-1607-SS (1-1/4" O.D. - 1-1/2" MCH)	Tandem Roller Assembly	4	1	6
D-1608	Roller Assembly	25	1	6
D-1609	Roller Assembly	29	1	6
D-1610	Roller Assembly	28	1	6
D-1611 (1-1/4" O.D.)	Roller Assembly	16	1	6
D-1613 (7/8" O.D. Flat steel ball bearing)	Roller Assembly	14	1	6
D-1614 (5/8" O.D. Flat nylon with brass bushing)	Roller Assembly	14	1	6
D-1615	Roller Assembly	11	1	6
D-1616 (Steel)	Roller Assembly	28	1	6
D-1617 (Nylon)	Roller Assembly	30	1	6
D-1618	Roller Housing	12	1	6
D-1619	Roller Assembly	12	1	6
D-1620 (1-1/4" O.D. Nylon)	Roller Assembly	13	1	6
D-1621 (1-1/2" O.D. Nylon)	Roller Assembly	13	1	6
D-1629	Guide	32	4	6
D-1635	Guide	32	2	6
D-1637	Roller Assembly	30	1	6
D-1638	Roller	1	2	6
D-1639	Roller	1	2	6
D-1640	Roller Assembly	13	1	6
D-1641	Roller	3	2	6
D-1642	Axle Pins	3	6	6
D-1643	Tandem Roller Assembly	10	1	6
D-1654	Threshold Replacement Kit	34	1	10
D-1655	Threshold Replacement Kit	33	1	10
D-1659	Threshold Replacement Kit	34	1	10
D-1660	Threshold Replacement Kit	33	1	10
D-1664	Threshold Replacement Kit	34	1	10

Part No.	Description	Page No.	Package Quantity	Standard Pack
D-1665	Threshold Replacement Kit	33	1	10
D-1669	Threshold Replacement Kit	34	1	10
D-1670	Threshold Replacement Kit	33	1	10
D-1674	Threshold Replacement Kit	34	1	10
D-1675	Threshold Replacement Kit	33	1	10
D-1679	Threshold Replacement Kit	34	1	10
D-1680	Threshold Replacement Kit	33	1	10
D-1683 (Nylon)	Roller Assembly	17	1	6
D-1684	Guide	32	2	6
D-1685 (Steel)	Roller Assembly	17	1	6
D-1686 (Steel)	Roller Assembly	20	1	6
D-1687	Roller Assembly	18	1	6
D-1688	Roller Assembly	25	1	6
D-1689	Tandem Roller Assembly	10	1	6
D-1690 (Nylon)	Roller Assembly	21	1	6
D-1691 (Steel)	Roller Assembly	21	1	6
D-1692 (1-1/8" O.D.)	Roller	2	2	6
D-1693 (1-1/4" O.D.)	Roller	2	2	6
D-1694 (1-1/2" O.D.)	Roller	2	2	6
D-1695	Guide	31	12	6
D-1696 (1-1/8" O.D. Steel - 1-13/32" MCH)	Roller Assembly	20	1	6
D-1697 (1-1/4" O.D. Steel - 1-7/16" MCH)	Roller Assembly	20	1	6
D-1698 (1-1/4" O.D. Nylon - 1-7/16" MCH)	Roller Assembly	20	1	6
D-1699	Roller Assembly	21	1	6
D-1700	Bumper	31	2	6
D-1701 (1-1/2" - Black)	Bumper	31	2	6
D-1702	Bumper	30	2	6
D-1703 (1-1/4" O.D. - Steel)	Roller	2	2	6
D-1704 (1-1/2" O.D. - Steel)	Roller	2	2	6
D-1707	Roller Assembly	23	1	6
D-1708 (1-1/4" O.D. - 1-9/32" MCH)	Roller Assembly	24	1	6
D-1710	Guide	31	4	6
D-1712	Roller	3	2	6
D-1713	Roller	3	2	6
D-1714	Bumper	30	4	6
D-1715	Roller Assembly	18	1	6
D-1716	Roller	2	2	6
D-1717	Guide	32	4	6
D-1720 (Nylon)	Roller Assembly	16	1	6
D-1721	Roller Assembly	29	1	6
D-1722	Roller Assembly	30	1	6
D-1723 (1-1/4" O.D. Steel - 1-3/8" MCH)	Roller Assembly	11	1	6
D-1724 (1-1/4" O.D. Nylon - 1-3/8" MCH)	Roller Assembly	11	1	6
D-1725	Roller	1	2	6
D-1726 (1-13/16" O.D. Steel - 2-1/16" MCH)	Roller Assembly	16	1	6
D-1727 (Steel)	Tandem Roller Assembly	10	1	6
D-1728 (1-1/4" O.D. Nylon)	Roller Assembly	14	1	6
D-1729 (1-1/4" O.D.)	Roller Assembly	21	1	6
D-1730 (1-1/4" O.D. Nylon - 1-1/2" MCH)	Tandem Roller Assembly	4	1	6
D-1731 (1-11/16" O.D. Nylon - 2-1/4" MCH)	Roller Assembly	16	1	6
D-1732 (1-1/4" O.D. Steel)	Roller Assembly	27	1	6
D-1733 (1-1/4" O.D. Nylon)	Roller Assembly	15	1	6
D-1734 (1-1/4" O.D.)	Roller Assembly	13	1	6
D-1735 (1-1/4" O.D. - 1-9/32" MCH)	Tandem Roller Assembly	5	1	6
D-1736	Tandem Roller Assembly	5	1	6
D-1737	Roller Assembly	16	1	6
D-1738 (1-1/2" O.D. Nylon - 1-1/2" MCH)	Tandem Roller Assembly	9	1	6
D-1739 (1-1/4" O.D. Nylon - 1-3/8" MCH)	Tandem Roller Assembly	5	1	6
D-1740 (1-1/2" O.D. Steel)	Roller Assembly	21	1	6
D-1743	Threshold Replacement Kit	34	1	10
D-1744	Threshold Replacement Kit	33	1	10
D-1745	Threshold Replacement Kit	34	1	10
D-1746	Threshold Replacement Kit	33	1	10
D-1747 (1-1/4" O.D. Steel - 1-21/32" MCH)	Roller Assembly	12	1	6
D-1748 (1-1/8" O.D. Steel - 1-19/32" MCH)	Roller Assembly	12	1	6
D-1749 (Steel)	Roller Assembly	16	1	6
D-1750 (1-1/2" O.D. - 1-21/32" MCH)	Roller Assembly	10	1	6
D-1751	Roller Assembly	26	1	6

Part No.	Description	Page No.	Package Quantity	Standard Pack
D-1752 (Steel)	Roller Assembly	18	1	6
D-1752-SS	Roller Assembly	18	1	6
D-1753 (1" O.D. Steel)	Roller Assembly	21	1	6
D-1754 (1-1/2" O.D. Steel - 1-1/2" MCH)	Tandem Roller Assembly	5	1	6
D-1754-SS	Tandem Roller Assembly	5	1	6
D-1755 (1-1/8" O.D.)	Roller Assembly	23	1	6
D-1756 (1-1/4" O.D. Steel)	Roller Assembly	22	1	6
D-1756 (1-1/4" O.D. Steel)	Roller Assembly	17	1	6
D-1757 (1" O.D. - Flat)	Roller Assembly	23	1	6
D-1758	Roller Assembly	22	1	6
D-1759	Roller Assembly	26	1	6
D-1760	Roller	3	2	6
D-1761	Roller Assembly	27	1	6
D-1762	Roller Assembly	24	1	6
D-1763	Roller Assembly	26	1	6
D-1764	Roller Assembly	29	1	6
D-1765 (1-1/4" O.D. - Steel)	Roller	1	2	6
D-1766 (1-1/2" O.D. - Steel)	Roller	1	2	6
D-1767	Roller Assembly	27	1	6
D-1768 (1-1/4" O.D. Steel)	Roller Assembly	23	1	6
D-1769	Roller Assembly	28	1	6
D-1770	Roller Assembly	25	1	6
D-1771	Roller Assembly	22	1	6
D-1772 (1-1/2" O.D. Steel)	Roller Assembly	19	1	6
D-1773 (1-1/4" O.D. Steel)	Roller Assembly	21	1	6
D-1774	Roller Assembly	20	1	6
D-1775 (Steel)	Tandem Roller Assembly	9	1	6
D-1776	Roller Assembly	18	1	6
D-1777 (Nylon)	Roller Assembly	17	1	6
D-1778 (Stainless steel)	Roller Assembly	17	1	6
D-1781	Roller Assembly	24	1	6
D-1782 (1-1/4" O.D. - 1-1/2" MCH)	Roller Assembly	25	1	6
D-1785 (1-1/4" O.D. Steel - 1-5/16" MCH)	Roller Assembly	12	1	6
D-1786 (1-1/2" O.D. Nylon - 1-1/2" MCH)	Roller Assembly	11	1	6
D-1787 (1-1/2" O.D.)	Roller	1	2	6
D-1788 (1-1/8" O.D.)	Roller Assembly	15	1	6
D-1789 (1-1/2" O.D. Nylon)	Roller Assembly	14	1	6
D-1790 (1-1/2" O.D.)	Roller Assembly	20	1	6
D-1791 (1-1/8" O.D. Steel - 1-5/16" MCH)	Tandem Roller Assembly	8	1	6
D-1792	Bumper	31	2	6
D-1793 (1-13/16" O.D. Steel - 2-5/16" MCH)	Roller Assembly	16	1	6
D-1794	Roller Assembly	13	1	6
D-1795 (1-1/8" O.D.)	Roller	1	2	6
D-1796 (1-1/4" O.D.)	Roller	1	2	6
D-1797 (1-1/2" O.D.)	Roller	1	2	6
D-1798 (1-1/4" O.D.)	Roller	2	2	6
D-1799 (1-1/2" O.D.)	Roller	2	2	6
D-1800	Roller	2	2	6
D-1801 (1-13/16" - White)	Bumper	31	2	6
D-1802 (2-5/8" - White)	Bumper	31	2	6
D-1803	Guide	33	1	6
D-1804	Guide	33	1	6
D-1805 (Nylon)	Roller Assembly	25	1	6
D-1807	Roller Assembly	12	1	6
D-1808	Tandem Roller Assembly	8	1	6
D-1810 (1-1/2" O.D. Nylon)	Roller Assembly	14	1	6
D-1811	Roller Assembly	15	1	6
D-1812	Roller Assembly	21	1	6
D-1813 (1-1/8" O.D.)	Roller Assembly	16	1	6
D-1814	Bumper	31	1	6
D-1815 (1-1/4" O.D. Nylon)	Roller Assembly	21	1	6
D-1817 (1-1/4" O.D. Nylon)	Roller Assembly	22	1	6
D-1817 (1-1/4" O.D. Nylon)	Roller Assembly	17	1	6
D-1818 (1" O.D. - Flat)	Roller Assembly	23	1	6
D-1819	Roller Assembly	24	1	6
D-1820	Roller Assembly	25	1	6
D-1822	Roller Assembly	26	1	6
D-1823	Roller Assembly	24	1	6

Part No.	Description	Page No.	Package Quantity	Standard Pack
D-1824 (1-1/2" O.D. - 1-5/8" MCH)	Roller Assembly	25	1	6
D-1825 (1-1/2" O.D. Steel)	Roller Assembly	14	1	6
D-1826	Roller Assembly	24	1	6
D-1828	Roller Assembly	25	1	6
D-1829	Roller Assembly	23	1	6
D-1830-SS	Roller Assembly	26	1	6
D-1830	Roller Assembly	26	1	6
D-1831 (1-1/2" O.D. Steel - 1-19/32" MCH)	Roller Assembly	11	1	6
D-1832 (1-1/4" O.D. Steel - 1-17/32" MCH)	Roller Assembly	11	1	6
D-1833 (1-1/2" O.D. Nylon - 1-19/32" MCH)	Roller Assembly	11	1	6
D-1834 (1-1/4" O.D. Nylon - 1-17/32" MCH)	Roller Assembly	11	1	6
D-1835 (1-1/2" O.D. - 1-15/32" MCH)	Roller Assembly	24	1	6
D-1836	Roller Assembly	29	1	6
D-1837 (1" O.D. Steel)	Roller Assembly	14	1	6
D-1838 (1-1/8" O.D.)	Roller	1	1	6
D-1839 (1-1/4" O.D.)	Roller	1	1	6
D-1840 (1" O.D. Steel)	Roller Assembly	16	1	6
D-1841 (1-1/2" O.D. Steel - 1-15/32" MCH)	Roller Assembly	20	1	6
D-1842	Roller Assembly	13	1	6
D-1843 (1-13/16" O.D. - 2-13/32" MCH)	Tandem Roller Assembly	6	1	6
D-1844 (1-1/2" O.D. Steel - 1-1/2" MCH)	Tandem Roller Assembly	9	1	6
D-1844-SS	Tandem Roller Assembly	9	1	6
D-1845 (1-1/4" O.D. - 1-7/16" MCH)	Tandem Roller Assembly	9	1	6
D-1846 (1" O.D. - 1-1/8" MCH)	Tandem Roller Assembly	9	1	6
D-1847 (1-1/8" O.D. - 1-5/16" MCH)	Tandem Roller Assembly	9	1	6
D-1848 (1-1/8" O.D. Steel - 1-1/4" MCH)	Roller Assembly	12	1	6
D-1849 (1-1/4" O.D. Nylon - 1-21/32" MCH)	Roller Assembly	12	1	6
D-1850 (1-1/4" O.D. - 1-1/4" MCH)	Roller Assembly	23	1	6
D-1851	Guide	32	1	6
D-1852 (1-1/4" O.D. Nylon - 1-7/16" MCH)	Tandem Roller Assembly	8	1	6
D-1853	Roller Assembly	17	1	6
D-1854 (1-1/8" O.D. - Steel)	Roller	1	2	6
D-1855 (1-1/2" O.D. Nylon - 1-3/4" MCH)	Tandem Roller Assembly	4	1	6
D-1855-SS (1-1/2" O.D. - 1-3/4" MCH)	Tandem Roller Assembly	4	1	6
D-1856	Roller Assembly	22	1	6
D-1858 (1-1/4" O.D. - 1-3/8" MCH)	Tandem Roller Assembly	7	1	6
D-1859 (Black)	Bumper	31	2	6
D-1860 (1-1/2" O.D. Steel - 1-9/16" MCH)	Roller Assembly	11	1	6
D-1861	Axle Repair Kit	3	1	6
D-1862-SS	Tandem Roller Assembly	7	1	6
D-1862	Tandem Roller Assembly	7	1	6
D-1863 (Steel)	Roller Assembly	27	1	6
D-1864 (1-1/4" O.D. Steel - 1-7/16" MCH - .740 width)	Tandem Roller Assembly	8	1	6
D-1865 (1-1/8" O.D.)	Roller	2	2	6
D-1866 (24 ft. coil)	Repair Track	33	1	1
D-1867 (1-1/8" O.D. - Nylon)	Roller	1	2	6
D-1868 (1-1/4" O.D. - Nylon)	Roller	1	2	6
D-1869 (1-1/2" O.D. - Nylon)	Roller	1	2	6
D-1870 (1-1/2" O.D. Nylon)	Roller Assembly	22	1	6
D-1871 (1-1/4" O.D. Nylon)	Roller Assembly	23	1	6
D-1872 (1-1/2" O.D. Steel)	Roller Assembly	23	1	6
D-1873 (1-1/2" O.D. Nylon)	Roller Assembly	23	1	6
D-1874 (1" O.D.)	Roller	1	2	6
D-1878 (1-1/2" O.D.)	Roller Assembly	15	1	6
D-1879 (1-1/2" O.D. Nylon)	Roller Assembly	21	1	6
D-1880 (1-1/4" O.D. Steel - 1-3/8" MCH)	Tandem Roller Assembly	9	1	6
D-1881	Roller	2	2	6
D-1882	Tandem Roller Assembly	4	1	6
D-1883 (1-1/4" O.D.)	Roller Assembly	23	1	6
D-1885	Roller Assembly	27	1	6
D-1886 (Steel)	Roller Assembly	17	1	6
D-1887 (1-1/4" O.D. Nylon)	Roller Assembly	21	1	6
D-1889 (7/8" O.D.)	Roller Assembly	24	1	6
D-1890 (1-1/8" O.D.)	Roller Assembly	24	1	6
D-1892 (Steel)	Roller Assembly	30	1	6
D-1893	Roller Assembly	14	1	6
D-1896 (1-1/4" O.D. Steel - 1-1/2" MCH)	Roller Assembly	10	1	6
D-1898	Roller Assembly	19	1	6

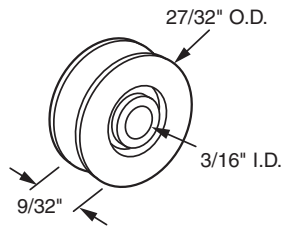
Part No.	Description	Page No.	Package Quantity	Standard Pack
D-1899 (1-1/2" O.D. Nylon - 1-1/2" MCH)	Tandem Roller Assembly	5	1	6
D-1900 (1-1/2" - White)	Bumper	31	2	6
D-1901 (Steel)	Roller Assembly	25	1	6
D-1902 (1-1/2" O.D. Steel)	Roller Assembly	15	1	6
D-1904	Tandem Roller Assembly	6	1	6
D-1905	Roller Assembly	22	1	6
D-1906	Roller Assembly	14	1	6
D-1907 (1-1/4" O.D. Nylon - 1-1/2" MCH)	Roller Assembly	11	1	6
D-1908	Tandem Roller Assembly	8	1	6
D-1909	Roller Assembly	21	1	6
D-1911 (.161 Dia.)	Roller Assembly	23	1	6
D-1912 (1-1/2" O.D. Steel)	Roller Assembly	27	1	6
D-1913	Roller	2	1	6
D-1915 (Nylon)	Tandem Roller Assembly	9	1	6
D-1916	Tandem Roller Assembly	8	1	6
D-1917	Tandem Roller Assembly	9	1	6
D-1918 (1-1/4" O.D. Steel)	Roller Assembly	16	1	6
D-1919 (1-1/4" O.D. - 1-5/8" MCH)	Tandem Roller Assembly	8	1	6
D-1920	Tandem Roller Assembly	7	1	6
D-1923 (1-1/4" O.D. Steel)	Roller Assembly	14	1	6
D-1923-SS (1-1/4" O.D.)	Roller Assembly	15	1	6
D-1924	Tandem Roller Assembly	6	1	6
D-1925 (1-1/2" O.D.)	Roller Assembly	15	1	6
D-1929 (1-1/2" O.D. Nylon)	Roller Assembly	15	1	6
D-1930 (Nylon)	Roller Assembly	26	1	6
D-1931 (1-1/4" Stainless steel)	Roller Assembly	20	1	6
D-1932 (1-1/4" O.D. Stainless Steel)	Roller Assembly	14	1	6
D-1933 (50 ft. coil)	Repair Track	33	1	1
D-1934	Roller Assembly	13	1	6
D-1935 (White)	Bumper	31	2	6
D-1936 (Nylon)	Roller Assembly	20	1	6
D-1938	Tandem Roller Assembly	6	1	6
D-1939 (Gray)	Bumper	31	1	6
D-1940 (1-1/2" O.D. Nylon - 1-1/2" MCH)	Tandem Roller Assembly	8	1	6
D-1942	Roller Assembly	22	1	6
D-1947	Roller Assembly	11	1	6
D-1948	Roller Assembly	11	1	6
D-1949	Roller Assembly	27	1	6
D-1950 (Steel)	Roller Assembly	18	1	6
D-1952 (1-1/2" O.D. - 1-5/16" MCH)	Roller Assembly	23	1	6
D-1953 (1-1/4" O.D. Nylon)	Roller Assembly	27	1	6
D-1954 (Nylon)	Roller Assembly	28	1	6
D-1955 (Nylon)	Roller Assembly	27	1	6
D-1956 (Steel)	Roller Assembly	28	1	6
D-1957 (1-1/2" O.D. Nylon - 1-9/16" MCH)	Roller Assembly	11	1	6
D-1958	Roller Assembly	27	1	6
D-1959	Roller Assembly	28	1	6
D-1960	Roller Assembly	28	1	6
D-1961	Roller Assembly	28	1	6
D-1962 (7/8" O.D. Flat)	Roller Assembly	13	1	6
D-1963	Roller Assembly	24	1	6
D-1964 (1-1/8" O.D.)	Roller Assembly	23	1	6
D-1965 (1-1/8" O.D. Steel)	Roller Assembly	23	1	6
D-1966	Roller Assembly	29	1	6
D-1967 (Nylon)	Roller Assembly	28	1	6
D-1968	Roller Assembly	30	1	6
D-1969-SS (Stainless steel)	Roller Assembly	27	1	6
D-1970	Roller Assembly	29	1	6
D-1971	Tandem Roller Assembly	5	1	6
D-1972	Roller Assembly	30	1	6
D-1973 (1-1/2" O.D. Nylon - 1-23/32" MCH)	Roller Assembly	12	1	6
D-1974 (1-1/2" O.D. Nylon)	Roller Assembly	16	1	6
D-1975 (1-1/2" O.D. Steel)	Roller Assembly	16	1	6
D-1976 (Steel)	Roller Assembly	20	1	6
D-1977 (1-1/2" O.D. Steel)	Roller Assembly	22	1	6
D-1978 (1-1/4" O.D. Nylon)	Roller Assembly	22	1	6
D-1979 (1" O.D. - 1-5/16" MCH)	Tandem Roller Assembly	5	1	6
D-1980 (1" O.D. - 1-9/16" MCH)	Tandem Roller Assembly	5	1	6

Part No.	Description	Page No.	Package Quantity	Standard Pack
D-1981	Tandem Roller Assembly	9	1	6
D-1982 (1" O.D. - 1-1/8" MCH)	Tandem Roller Assembly	8	1	6
D-1983 (1-1/4" O.D. - 1-3/8" MCH)	Tandem Roller Assembly	8	1	6
D-1984 (1-1/2" O.D. - 1-5/8" MCH)	Tandem Roller Assembly	8	1	6
D-1985 (1" O.D. Steel - 1-1/4" MCH)	Tandem Roller Assembly	8	1	6
D-1986 (1-1/4" O.D. Steel - 1-3/8" MCH)	Tandem Roller Assembly	5	1	6
D-1987	Tandem Roller Assembly	5	1	6
D-1988	Tandem Roller Assembly	7	1	6
D-1989 (1-1/2" O.D. - 1-1/2" MCH)	Tandem Roller Assembly	7	1	6
D-1990	Tandem Roller Assembly	4	1	6
D-1991 (1-1/4" O.D. - 1-11/16" MCH)	Tandem Roller Assembly	5	1	6
D-1992	Assembly Shim	5	2	6
D-1993	Tandem Roller Assembly	7	1	6
D-1994	Tandem Roller Assembly	4	1	6
D-1995	Tandem Roller Assembly	7	1	6
D-1996 (1-1/2" O.D. - 1-25/32" MCH)	Tandem Roller Assembly	8	1	6
D-1999	Guide	32	2	6
D-2000	Tandem Roller Assembly	4	1	6
D-2001	Roller Housing	14	1	6
D-2002 (1-1/2" - Gray)	Bumper	31	2	6
D-2003 (Gray)	Bumper	31	2	6
D-2004	Roller Assembly	18	1	6
D-2006	Tandem Roller Assembly	4	1	6
D-2007	Tandem Roller Assembly	6	1	6
D-2008 (1-1/2" O.D. Nylon - 1-1/2" MCH)	Roller Assembly	10	1	6
D-2010 (2" - Brown)	Bumper	31	2	6
D-2011 (Nylon)	Tandem Roller Assembly	10	1	6
D-2012 (Nylon)	Tandem Roller Assembly	10	1	6
D-2013 (Stainless steel)	Tandem Roller Assembly	10	1	6
D-2014 (1-1/8" O.D. Steel - 1-1/4" MCH)	Tandem Roller Assembly	9	1	6
D-2015	Tandem Roller Assembly	7	1	6
D-2022 (White)	Bumper	31	2	6
D-2030 (Black)	Bumper	31	2	6
D-2032 (1-1/4" O.D.)	Roller	1	2	6
D-2033 (1-1/2" O.D.)	Roller	1	2	6
D-2034 (1-1/4" O.D.)	Roller	1	2	6
D-2035 (1-1/2" O.D.)	Roller	1	2	6
D-2036	Tandem Roller Assembly	4	1	6
D-2037	Roller	2	2	6
D-2038	Tandem Roller Assembly	6	1	6
D-2039 (Steel)	Roller Assembly	17	1	6
D-2040 (96")	Repair Track	33	1	5
D-2041 (96")	Repair Track (Stainless Steel)	33	1	6
D-2049 (1-1/4" O.D. - 1-7/16" MCH)	Tandem Roller Assembly	9	1	6
D-2050 (Steel)	Tandem Roller Assembly	7	1	6

Roller

Contents: 2 rollers.

Description: Steel ball bearing roller; center grooved; 3/16" diameter hole.

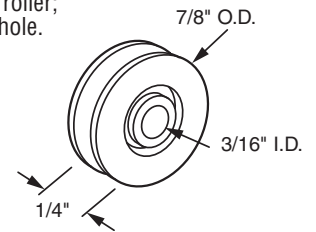


D-1638

Roller

Contents: 2 rollers.

Description: Nylon ball bearing roller; center grooved; 3/16" diameter hole.



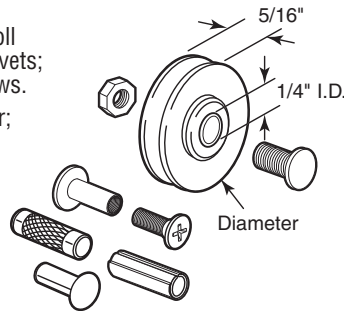
D-1639

Roller

Contents: 2 rollers; 2 axle pins; 2 roll pins; 2 carriage bolts with nuts; 2 rivets; 2 binder posts; (2) 8-32 x 1/2" screws.

Description: Steel ball bearing roller; center grooved; 1/4" diameter hole; includes bolt, axle, rivet kit, roll pin and binder post.

- D-1874** (1" O.D.)
- D-1795** (1-1/8" O.D.)
- D-1796** (1-1/4" O.D.)
- D-1797** (1-1/2" O.D.)

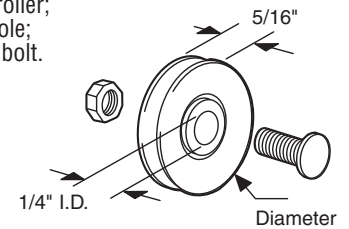


Roller

Contents: 2 rollers; installation bolts.

Description: Steel ball bearing roller; center grooved; 1/4" diameter hole; includes 1/4"-20 x 3/4" carriage bolt.

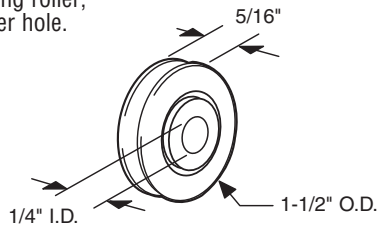
- D-1500** (1" O.D.)
- D-1501** (1-1/8" O.D.)
- D-1502** (1-1/4" O.D.)



Roller

Contents: 2 rollers.

Description: Steel ball bearing roller; center grooved; 1/4" diameter hole.



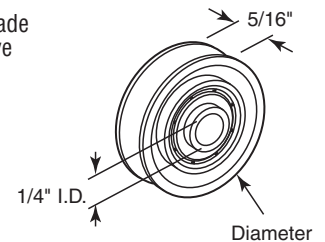
D-1503

Roller

Contents: 2 rollers.

Description: Precision bearing made from hardened steel; center groove wheel; sealed race.

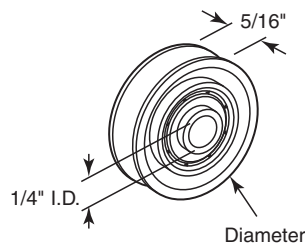
- D-2032** (1-1/4" O.D.)
- D-2033** (1-1/2" O.D.)



Roller

Contents: 2 rollers.

Description: Precision bearing made from hardened stainless steel; center groove wheel; sealed race.



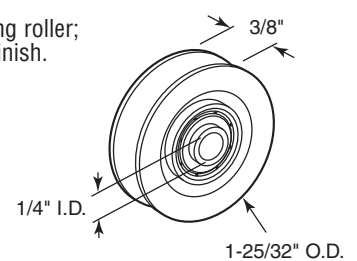
- D-2034** (1-1/4" O.D.)
- D-2035** (1-1/2" O.D.)

Roller

Contents: 2 rollers.

Description: Steel ball bearing roller; center grooved; zinc plated finish.

D-1725

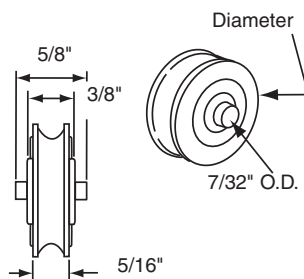


Roller

Contents: 2 rollers.

Description: Ball bearing roller; center grooved; includes built-in axle.

- D-1867** (1-1/8" O.D. - Nylon)
- D-1868** (1-1/4" O.D. - Nylon)
- D-1869** (1-1/2" O.D. - Nylon)
- D-1854** (1-1/8" O.D. - Steel)
- D-1765** (1-1/4" O.D. - Steel - precision)
- D-1766** (1-1/2" O.D. - Steel - precision)

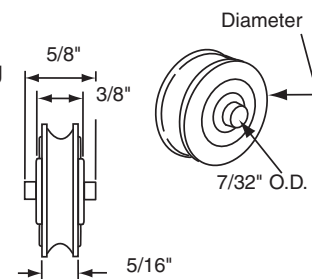


Roller

Contents: 2 rollers.

Description: Stainless steel ball bearing roller; center grooved; includes built-in axle.

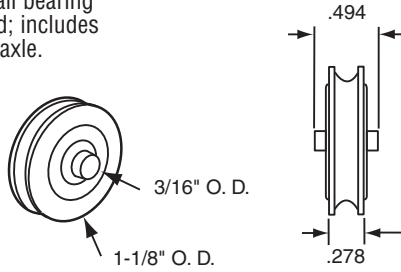
- D-1838** (1-1/8" O.D.)
- D-1839** (1-1/4" O.D. Precision)
- D-1787** (1-1/2" O.D. Precision)



Roller

Contents: 1 roller.

Description: Steel ball bearing roller; center grooved; includes built-in axle; narrow axle.

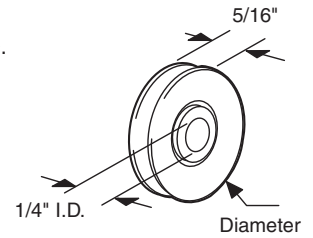


D-1913

Roller

Contents: 2 rollers.

Description: Stainless steel ball bearing roller; center grooved; 1/4" diameter hole.

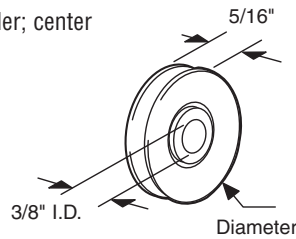


D-1692 (1-1/8" O.D.)
D-1693 (1-1/4" O.D.)
D-1694 (1-1/2" O.D.)

Roller

Contents: 2 rollers.

Description: Ball bearing roller; center grooved; 3/8" diameter hole.

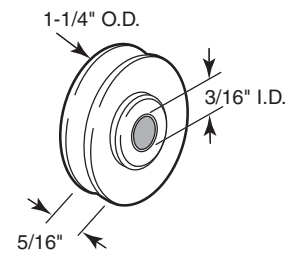


D-1703 (1-1/4" O.D. - Steel)
D-1704 (1-1/2" O.D. - Steel)

Roller

Contents: 2 rollers.

Description: Nylon wheel; steel ball bearing roller; center grooved; 3/16" diameter hole.

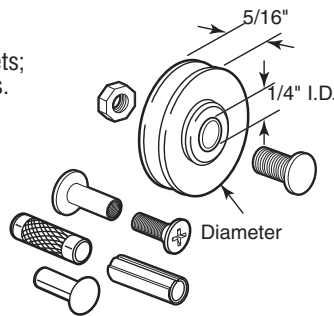


D-1881

Roller

Contents: 2 rollers; 2 axle pins; 2 roll pins; 2 carriage bolts with nuts; 2 rivets; 2 binder posts; (2) 8-32 x 1/2" screws.

Description: Nylon ball bearing roller; center grooved; 1/4" diameter hole; includes bolt, axle, rivet kit, roll pin and binder post.

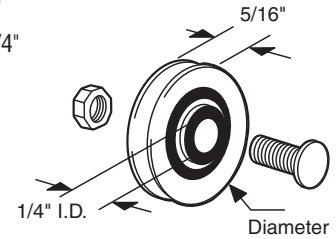


D-1798 (1-1/4" O.D.)
D-1799 (1-1/2" O.D.)

Roller

Contents: 2 rollers; installation bolts.

Description: Nylon wheel; steel ball bearing roller; center grooved; 1/4" diameter hole; includes 1/4"-20 x 3/4" carriage bolt.

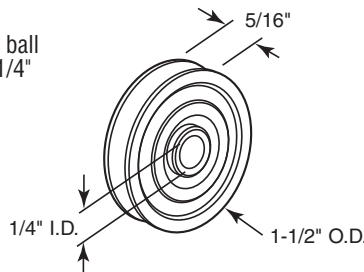


D-1865 (1-1/8" O.D.)
D-1504 (1-1/4" O.D.)

Roller

Contents: 2 rollers.

Description: Nylon wheel; steel ball bearing roller; center grooved; 1/4" diameter hole.

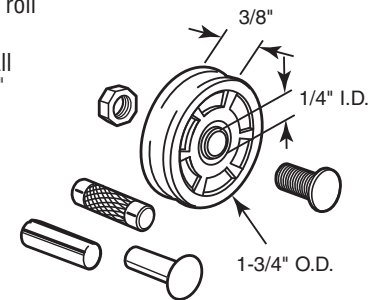


D-1506

Roller

Contents: 2 rollers; 2 axle pins; 2 roll pins; 2 carriage bolts with nuts.

Description: Nylon wheel; steel ball bearing roller; center grooved; 1/4" diameter hole; includes bolt, axle and rivet kit.

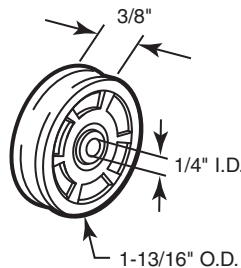


D-1800

Roller

Contents: 2 rollers.

Description: Nylon wheel; steel ball bearing roller; center grooved; 1/4" diameter hole; .432 wide hub.

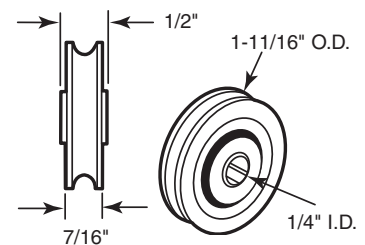


D-1507

Roller

Contents: 2 rollers.

Description: Nylon wheel; ball bearing roller; center grooved; 1/4" diameter hole; .475 wide hub.

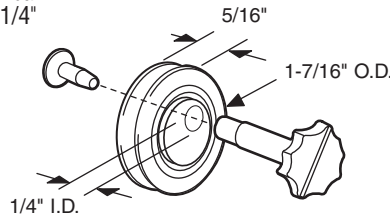


D-1716 (Steel race)
D-2037 (Stainless steel race)

Roller

Contents: 2 rollers; 2 axle assemblies w/locking rivets.

Description: Nylon wheel; steel ball bearing roller; center grooved; 1/4" diameter off-center hole for vertical adjustment.

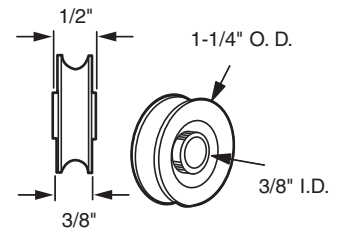


D-1505

Roller

Contents: 2 rollers.

Description: Nylon roller; non-bearing; center grooved; 3/8" diameter hole.



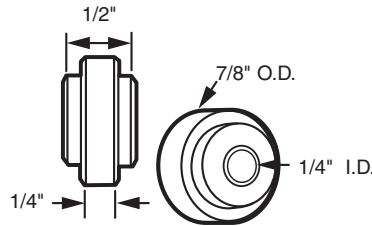
D-1713

Roller

Contents: 2 rollers.

Description: Flat steel ball bearing roller; 1/4" diameter hole.

Call For Availability

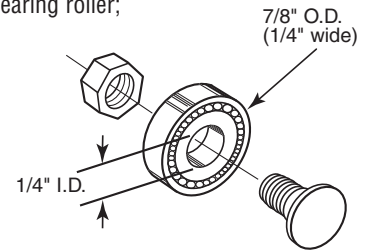


D-1712

Roller

Contents: 2 rollers; installation bolts.

Description: Flat steel ball bearing roller; 1/4" diameter hole; includes 1/4"-20 x 3/4" carriage bolt.

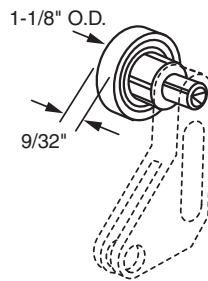


D-1760

Roller

Contents: 2 rollers.

Description: Flat nylon wheel; steel ball bearing roller only; for replacement onto existing diecast top bracket; fits on *Harrow*[®].

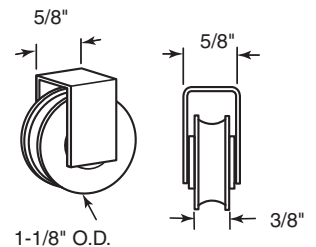


D-1641

Roller

Contents: 2 rollers with nylon housings.

Description: Steel ball bearing roller; nylon housing; fits on *Horizon*[®] and other patio door manufacturers.

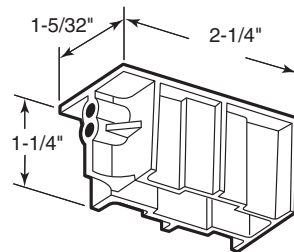


D-1567

Roller Housing

Contents: 2 brackets.

Description: Nylon housing used to hold D-1567 roller assembly; fits on *Horizon*[®] and other manufacturers.

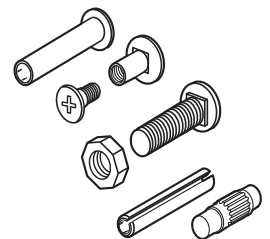


D-1566

Axle Repair Kit

Contents: 2 stepped axles; 2 roll pins; 2 standard 1/4" rivets; 2-1/4"-20 carriage bolts; 2-1/4"-20 hex nuts; 2- binder posts and screws.

Description: Stepped axles; roll pins; standard 1/4" rivets; 1/4"-20 carriage bolts; 1/4"-20 hex nuts; binder posts and screws.

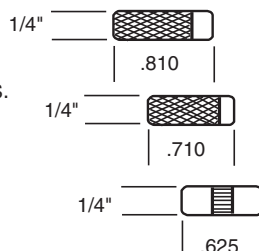


D-1861

Axle Pins

Contents: 2-.625" long pins; 2-.710" long pins; 2-.810" long pins.

Description: Axle pins are zinc plated; knurled surface for tight fit; 2-.625" long pins; 2-.710" long pins; 2-.810" long pins.

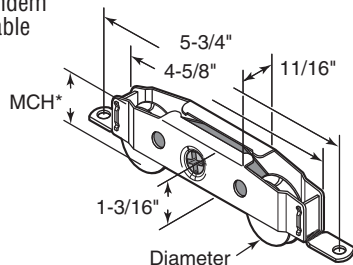


D-1642

Tandem Roller Assembly

Contents: 1 roller assembly.

Description: Ball bearing tandem roller assembly; side adjustable steel housing; used on vinyl and wood patio doors.



D-1730 (1-1/4" O.D. Nylon - 1-1/2" MCH)

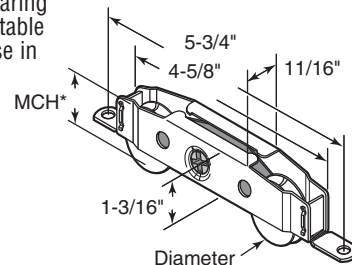
D-1607 (1-1/4" O.D. Steel - 1-1/2" MCH)

D-1855 (1-1/2" O.D. Nylon - 1-3/4" MCH)

Tandem Roller Assembly

Contents: 1 roller assembly.

Description: Stainless steel ball bearing tandem roller assembly; side adjustable stainless steel housing; ideal for use in corrosive conditions.



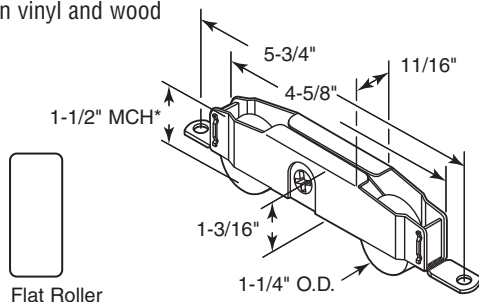
D-1607-SS (1-1/4" O.D. - 1-1/2" MCH)

D-1855-SS (1-1/2" O.D. - 1-3/4" MCH)

Tandem Roller Assembly

Contents: 1 roller assembly.

Description: Flat nylon ball bearing tandem roller assembly; side adjustable steel housing; used on vinyl and wood patio doors.

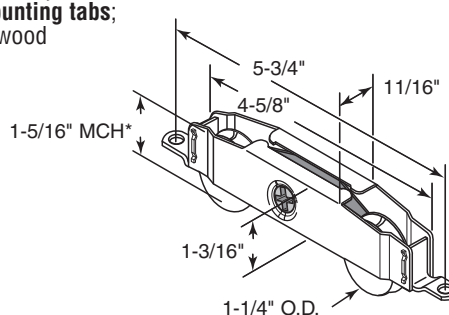


D-2036

Tandem Roller Assembly

Contents: 1 roller assembly.

Description: Nylon ball bearing tandem roller assembly; side adjustable steel housing; **offset mounting tabs**; used on vinyl and wood patio doors.

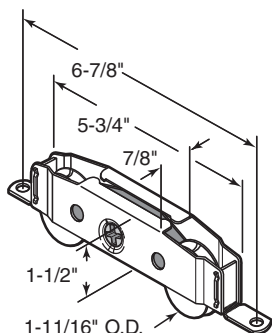


D-2000

Tandem Roller Assembly

Contents: 1 roller assembly.

Description: Steel ball bearing tandem roller assembly; side adjustable steel housing; used on vinyl and wood patio doors.

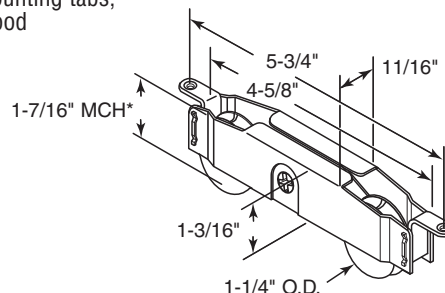


D-1994

Tandem Roller Assembly

Contents: 1 roller assembly.

Description: Steel ball bearing tandem roller assembly; side adjustable steel housing; inverted mounting tabs; used on vinyl and wood patio doors.

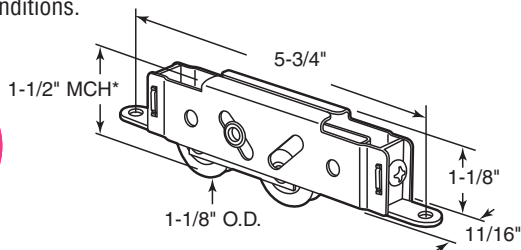


D-1882

Tandem Roller Assembly

Contents: 1 roller assembly.

Description: Stainless steel ball bearing tandem roller assembly; end adjustable stainless steel housing; ideal for use in corrosive conditions.

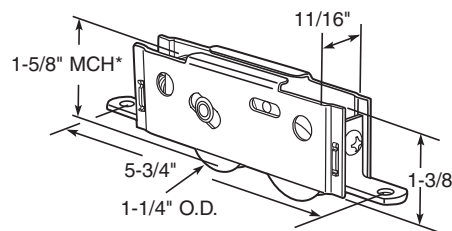


D-2006

Tandem Roller Assembly

Contents: 1 roller assembly.

Description: Steel ball bearing tandem roller assembly; end adjustable steel housing; used by several door manufacturers.

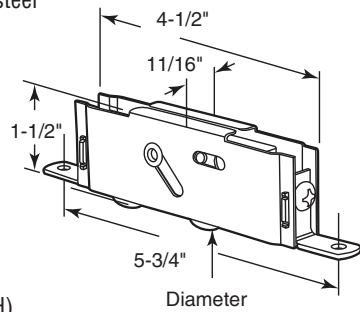


D-1990

Tandem Roller Assembly

Contents: 1 roller assembly.

Description: Steel ball bearing tandem roller assembly; end adjustable steel housing; used by several door manufacturers.



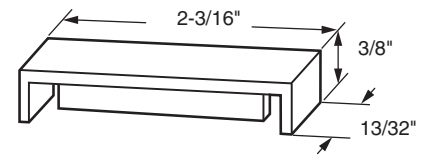
D-1980 (1" O.D. - 1-9/16" MCH)

D-1991 (1-1/4" O.D. - 1-11/16" MCH)

Roller Assembly Shim

Contents: 1 shim.

Description: Plastic shim for use with D-1607 style roller assemblies; shim is snapped onto top of roller housing to shim housing height; used on vinyl doors only.

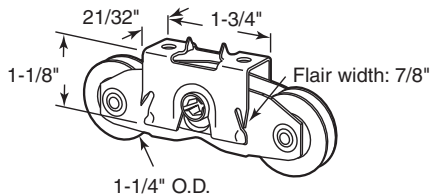


D-1992

Tandem Roller Assembly

Contents: 1 roller assembly.

Description: Steel ball bearing tandem roller assembly; side adjustable steel housing; fits Andersen® patio doors.

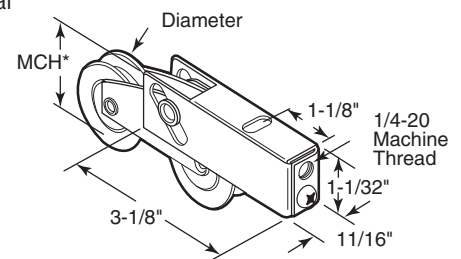


D-1971

Tandem Roller Assembly

Contents: 1 roller assembly.

Description: Steel ball bearing tandem roller assembly; adjustable steel housing; used by several manufacturers.



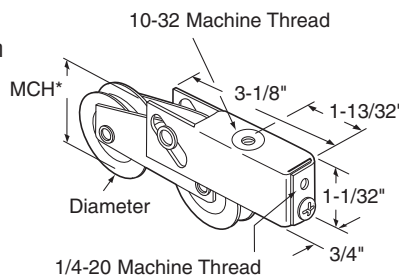
D-1979 (1" O.D. - 1-5/16" MCH)

D-1735 (1-1/4" O.D. - 1-9/32" MCH)

Tandem Roller Assembly

Contents: 1 roller assembly.

Description: Ball bearing tandem roller assembly; adjustable steel housing; used by several manufacturers.



D-1739 (1-1/4" O.D. Nylon - 1-3/8" MCH)

D-1986 (1-1/4" O.D. Steel - 1-3/8" MCH)

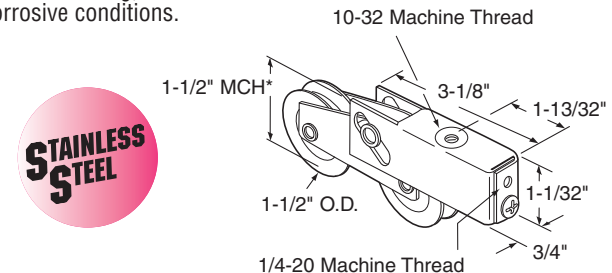
D-1899 (1-1/2" O.D. Nylon - 1-1/2" MCH)

D-1754 (1-1/2" O.D. Steel - 1-1/2" MCH)

Tandem Roller Assembly

Contents: 1 roller assembly.

Description: Stainless steel ball bearing tandem roller assembly; adjustable stainless steel housing; ideal for use in corrosive conditions.

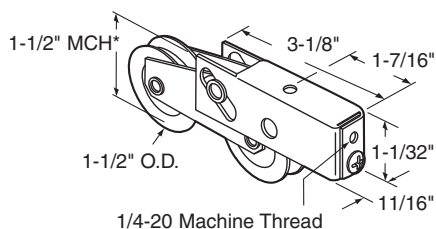


D-1754-SS

Tandem Roller Assembly

Contents: 1 roller assembly.

Description: Steel ball bearing tandem roller assembly; adjustable steel housing; used by several manufacturers.

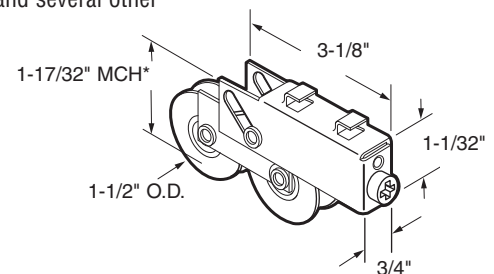


D-1987

Tandem Roller Assembly

Contents: 1 roller assembly.

Description: Steel ball bearing tandem roller assembly; adjustable steel housing; hooks snap into bottom door rail; fits on Smith Carry® doors and several other door manufacturers.

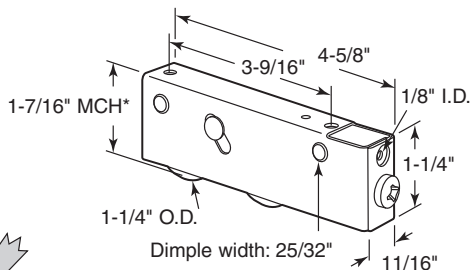


D-1736

Tandem Roller Assembly

Contents: 1 roller assembly.

Description: Steel ball bearing tandem roller assembly; adjustable steel housing.



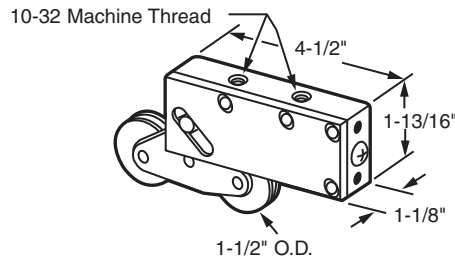
D-1938

Used primarily in Canada

Tandem Roller Assembly

Contents: 1 roller assembly.

Description: Ball bearing tandem roller assembly; diecast housing; fits on *Kawneer*® doors.



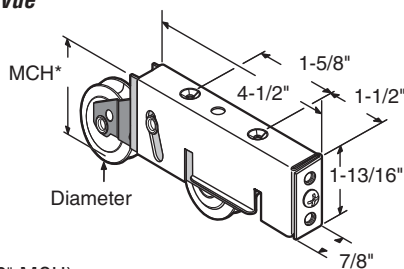
D-1586 (Steel)

D-1586-SS (Stainless steel)

Tandem Roller Assembly

Contents: 1 roller assembly.

Description: Steel ball bearing tandem roller assembly; adjustable steel housing; fits on *Armour Vue*® and *Atlas*® doors.



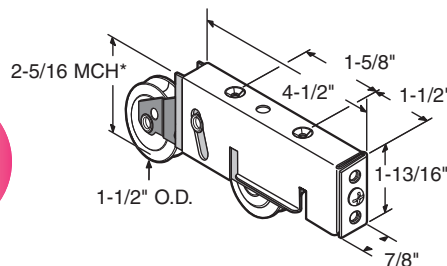
D-1549 (1-1/2" O.D. - 2-5/16" MCH)

D-1843 (1-13/16" O.D. - 2-13/32" MCH)

Tandem Roller Assembly

Contents: 1 roller assembly.

Description: Stainless steel ball bearing tandem roller assembly; adjustable stainless steel housing; fits on *Armour Vue*® and *Atlas*® doors.

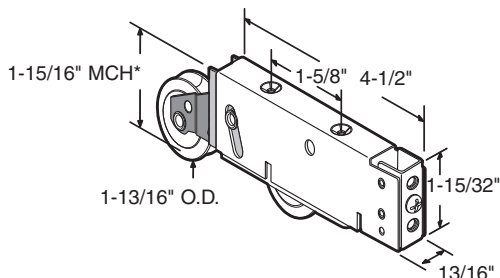


D-1549-SS

Tandem Roller Assembly

Contents: 1 roller assembly.

Description: Steel ball bearing tandem roller assembly; adjustable steel housing; used by several door manufacturers.

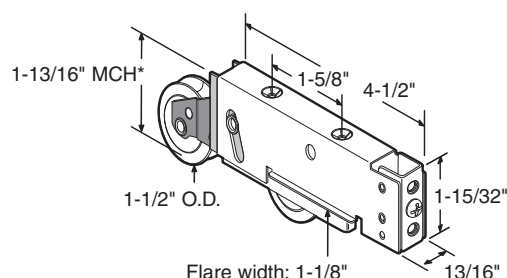


D-2007

Tandem Roller Assembly

Contents: 1 roller assembly.

Description: Steel ball bearing tandem roller assembly; adjustable steel housing; used by several door manufacturers.

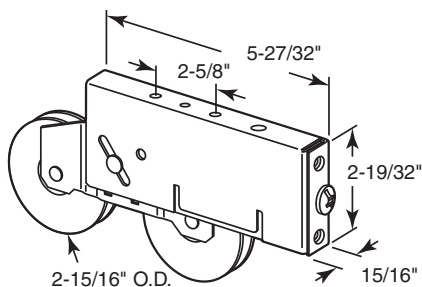


D-1924

Tandem Roller Assembly

Contents: 1 roller assembly.

Description:

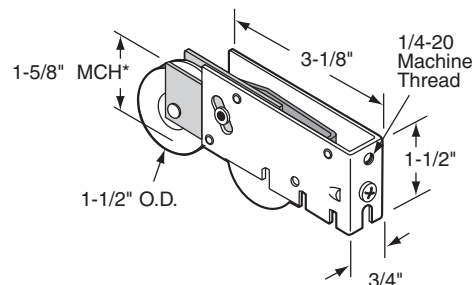


D-2038

Tandem Roller Assembly

Contents: 1 roller assembly.

Description: Steel ball bearing tandem roller assembly; adjustable steel housing; used by several door manufacturers.

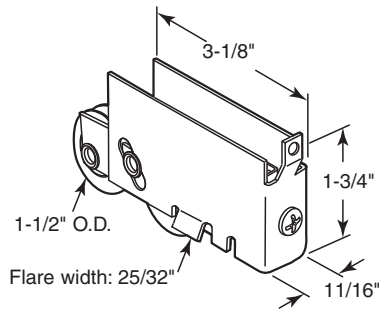


D-1904

Tandem Roller Assembly

Contents: 1 roller assembly.

Description: Steel ball bearing tandem roller assembly; adjustable steel housing; fits on Fleetwood® doors.

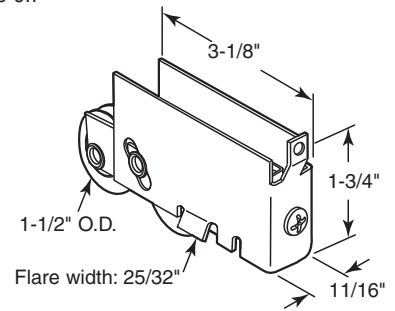


D-1862

Tandem Roller Assembly

Contents: 1 roller assembly.

Description: Stainless steel ball bearing tandem roller assembly; adjustable stainless steel housing; fits on Fleetwood® doors.

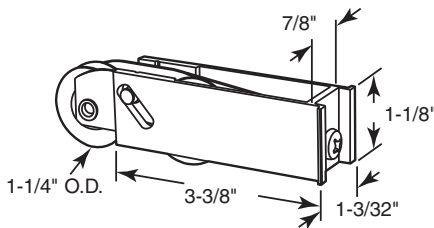


D-1862-SS

Tandem Roller Assembly

Contents: 1 roller assembly.

Description: Stainless steel ball bearing tandem roller assembly; extruded aluminum housing.

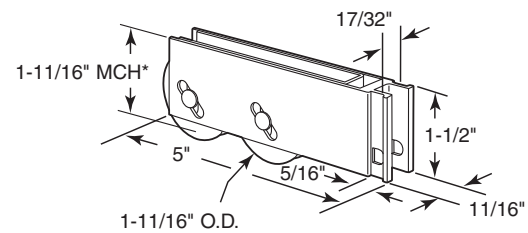


D-2015

Tandem Roller Assembly

Contents: 1 roller assembly.

Description: Nylon ball bearing tandem roller assembly; extruded aluminum housing; stainless steel inner carriage; used by several door manufacturers.

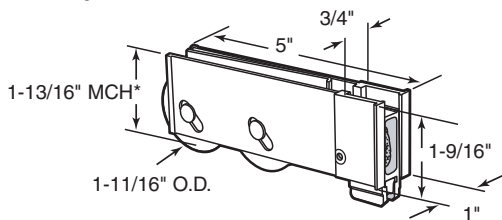


D-1995

Tandem Roller Assembly

Contents: 1 roller assembly.

Description: Nylon ball bearing tandem roller assembly; extruded aluminum housing; stainless steel inner carriage; unique track cleaner built into rear of housing.

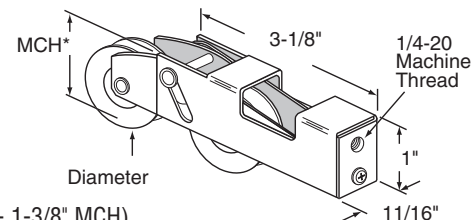


D-1993

Tandem Roller Assembly

Contents: 1 roller assembly.

Description: Steel ball bearing tandem roller assembly; adjustable steel housing; used on vinyl doors by several door manufacturers.



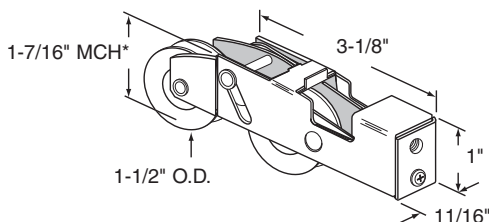
D-1858 (1-1/4" O.D. - 1-3/8" MCH)

D-1989 (1-1/2" O.D. - 1-1/2" MCH)

Tandem Roller Assembly

Contents: 1 roller assembly.

Description: Steel ball bearing tandem roller assembly; adjustable steel housing; used on vinyl doors by several door manufacturers.

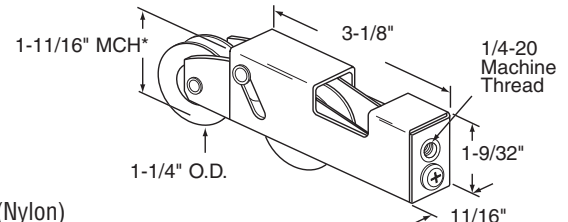


D-1988

Tandem Roller Assembly

Contents: 1 roller assembly.

Description: Ball bearing tandem roller assembly; adjustable steel housing; used on vinyl doors by several door manufacturers.



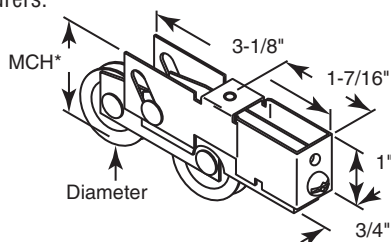
D-1920 (Nylon)

D-2050 (Steel)

Tandem Roller Assembly

Contents: 1 roller assembly.

Description: Ball bearing tandem roller assembly; adjustable steel housing; 1/4-20 mounting hole; used by several door manufacturers.



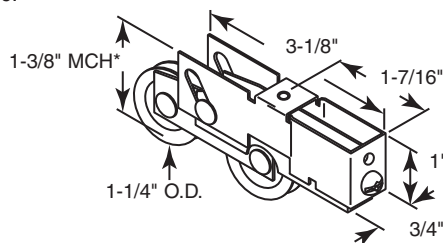
D-1791 (1-1/8" O.D. Steel - 1-5/16" MCH)

D-1940 (1-1/2" O.D. Nylon - 1-1/2" MCH)

Tandem Roller Assembly

Contents: 1 roller assembly.

Description: Steel ball bearing tandem roller assembly; adjustable steel housing; extruded mounting hole for a 10-24 self tapping screw; used by several door manufacturers.

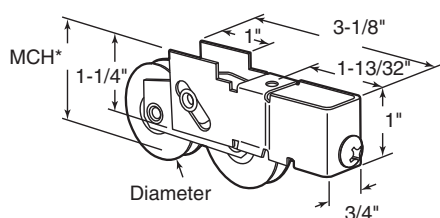


D-1808

Tandem Roller Assembly

Contents: 1 roller assembly.

Description: Ball bearing tandem roller assembly; adjustable steel housing; used by several door manufacturers.



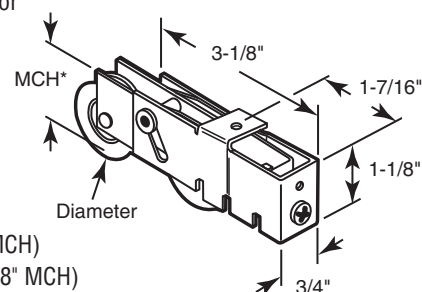
D-1919 (1-1/4" O.D. - 1-5/8" MCH)

D-1996 (1-1/2" O.D. - 1-25/32" MCH)

Tandem Roller Assembly

Contents: 1 roller assembly.

Description: Steel ball bearing tandem roller assembly; adjustable steel housing; used by several door manufacturers.



D-1982 (1" O.D. - 1-1/8" MCH)

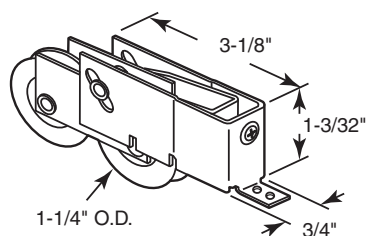
D-1983 (1-1/4" O.D. - 1-3/8" MCH)

D-1984 (1-1/2" O.D. - 1-5/8" MCH)

Tandem Roller Assembly

Contents: 1 roller assembly.

Description: Steel ball bearing tandem roller assembly; adjustable steel housing; used by several door manufacturers.

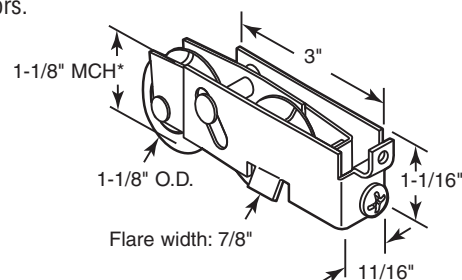


D-1916

Tandem Roller Assembly

Contents: 1 roller assembly.

Description: Steel ball bearing tandem roller; adjustable steel housing; low carriage allows for door removal; fits on Merzon® doors.

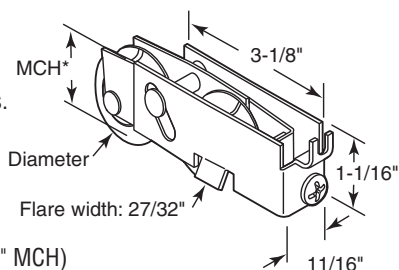


D-1908

Tandem Roller Assembly

Contents: 1 roller assembly.

Description: Ball bearing roller assembly; adjustable steel housing; fits on Pacific® and other patio door manufacturers.



D-1985 (1" O.D. Steel - 1-1/4" MCH)

D-1551 (1-1/8" O.D. Steel - 1-5/16" MCH)

D-1852 (1-1/4" O.D. Nylon - 1-7/16" MCH)

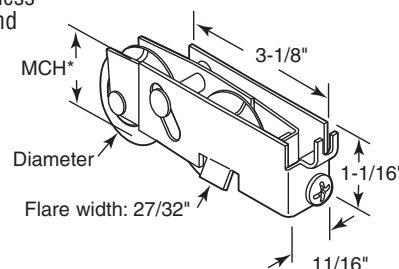
D-1552 (1-1/4" O.D. Steel - 1-7/16" MCH)

D-1864 (1-1/4" O.D. Steel - 1-7/16" MCH - .740 width)

Tandem Roller Assembly

Contents: 1 roller assembly.

Description: Stainless steel ball bearing roller assembly; adjustable stainless steel housing; fits on Pacific® and other patio door manufacturers.



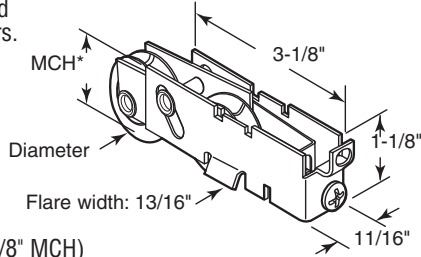
D-1551-SS (1-1/8" O.D. - 1-5/16" MCH)

D-1552-SS (1-1/4" O.D. - 1-7/16" MCH)

Tandem Roller Assembly

Contents: 1 roller assembly.

Description: Ball bearing roller assembly; adjustable steel housing; used by several door manufacturers.



D-1846 (1" O.D. Steel - 1-1/8" MCH)

D-1847 (1-1/8" O.D. Steel - 1-5/16" MCH)

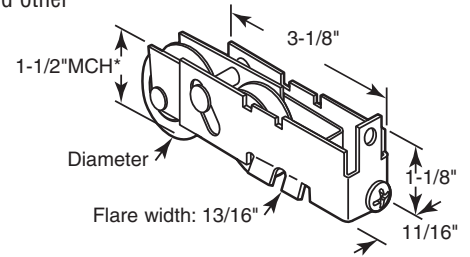
D-2049 (1-1/4" O.D. Nylon - 1-7/16" MCH)

D-1845 (1-1/4" O.D. Steel - 1-7/16" MCH)

Tandem Roller Assembly

Contents: 1 roller assembly.

Description: Ball bearing tandem roller assembly; adjustable steel housing; fits on *Fleetwood*® and other manufacturers.



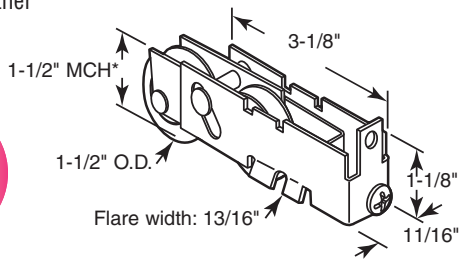
D-1553 (Nylon)

D-1844 (Steel)

Tandem Roller Assembly

Contents: 1 roller assembly.

Description: Stainless steel ball bearing tandem roller assembly; adjustable stainless steel housing; fits on *Fleetwood*® and other manufacturers.

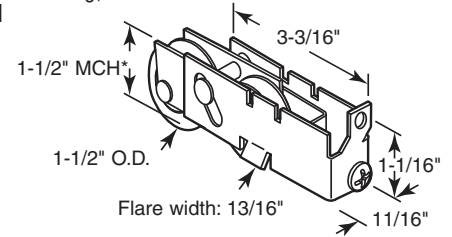


D-1844-SS

Tandem Roller Assembly

Contents: 1 roller assembly.

Description: Ball bearing tandem roller assembly; adjustable steel housing; used on vinyl doors by several door manufacturers.



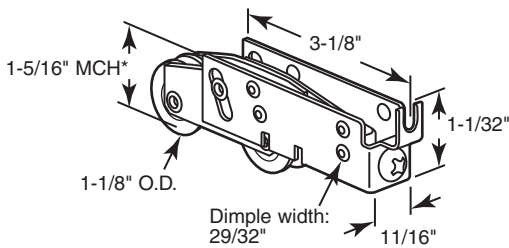
D-2014 (1-1/8" O.D. Steel - 1-1/4" MCH)

D-1738 (1-1/2" O.D. Nylon - 1-1/2" MCH)

Tandem Roller Assembly

Contents: 1 roller assembly.

Description: Steel ball bearing roller assembly; adjustable steel housing; used by several door manufacturers.

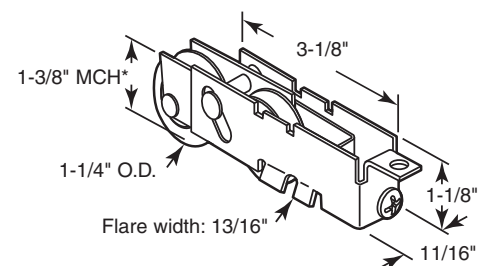


D-1981

Tandem Roller Assembly

Contents: 1 roller assembly.

Description: Ball bearing tandem roller assembly; adjustable steel housing; fits on *Fleetwood*® and other manufacturers.

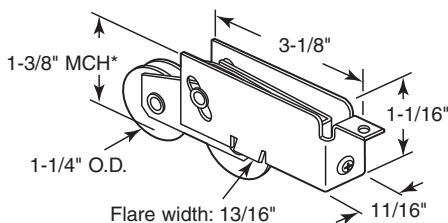


D-1880

Tandem Roller Assembly

Contents: 1 roller assembly.

Description: Ball bearing tandem roller assembly; adjustable steel housing; used by several door manufacturers.



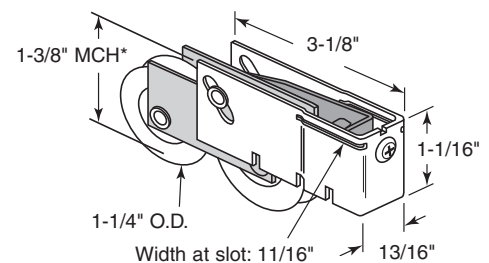
D-1915 (Nylon)

D-1775 (Steel)

Tandem Roller Assembly

Contents: 1 roller assembly.

Description: Steel ball bearing roller assembly; adjustable steel housing; used by several door manufacturers.

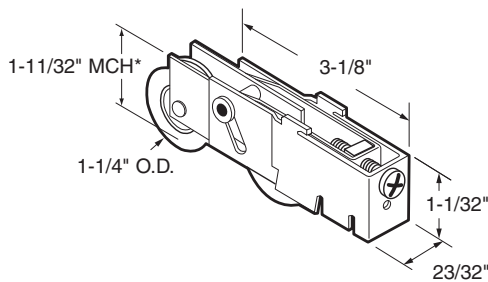


D-1917

Tandem Roller Assembly

Contents: 1 roller assembly.

Description: Steel ball bearing tandem roller assembly; adjustable steel housing; fits on *Bee Cee*® doors.

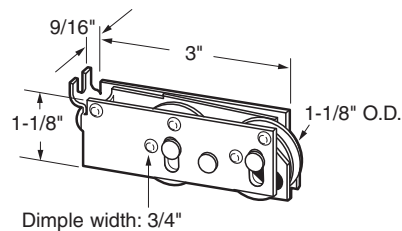


D-1689

Tandem Roller Assembly

Contents: 1 roller assembly.

Description: Ball bearing tandem roller assembly; adjustable steel housing; fits on *Window Master*® doors.

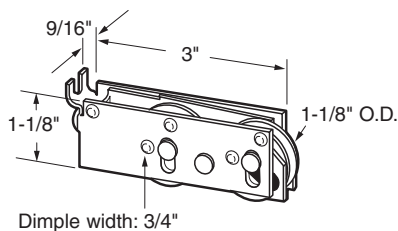


D-2011 (Nylon)
D-1727 (Steel)

Tandem Roller Assembly

Contents: 1 roller assembly.

Description: Ball bearing tandem roller assembly; adjustable stainless steel housing; fits on *Window Master*® doors.

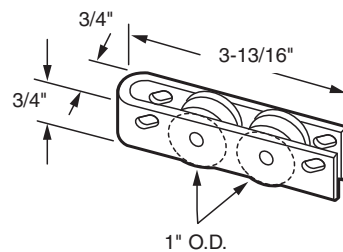


D-2012 (Nylon)
D-2013 (Stainless steel)

Tandem Roller Assembly

Contents: 1 roller assembly.

Description: Nylon rollers with aluminum housing; narrow 3/16" groove width.

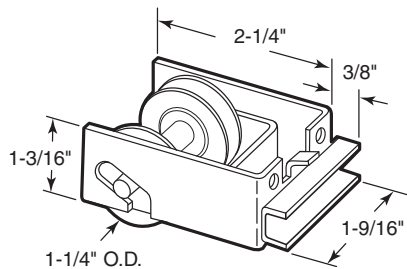


D-1643

Tandem Roller Assembly

Contents: 1 roller assembly.

Description: Ball bearing roller assembly; adjustable steel housing; fits on *Guaranteed Products*® doors.

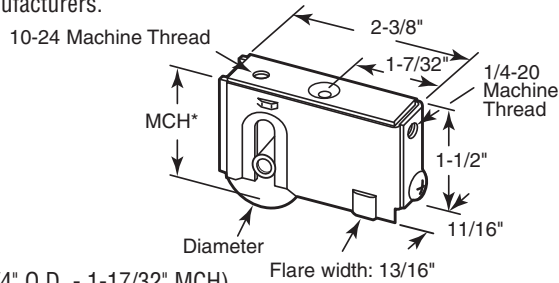


D-1547 (Nylon)
D-1548 (Steel)

Roller Assembly

Contents: 1 roller assembly.

Description: Steel ball bearing roller assembly; adjustable steel housing; used by several manufacturers.

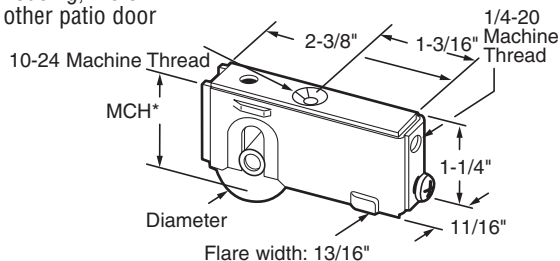


D-1542 (1-1/4" O.D. - 1-17/32" MCH)
D-1750 (1-1/2" O.D. - 1-23/32" MCH)

Roller Assembly

Contents: 1 roller assembly.

Description: Ball bearing roller assembly; adjustable steel housing; fits on *Blomberg*® and other patio door manufacturers.

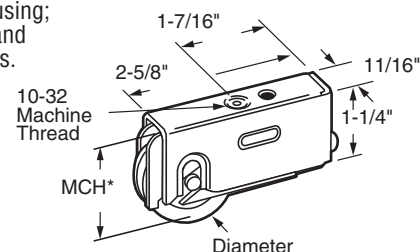


D-1541 (1-1/4" O.D. Steel - 1-7/16" MCH)
D-2008 (1-1/2" O.D. Nylon - 1-9/16" MCH)

Roller Assembly

Contents: 1 roller assembly.

Description: Ball bearing roller assembly; adjustable steel housing; fits on *Daryl*®, *Patio Magic*® and other patio door manufacturers.

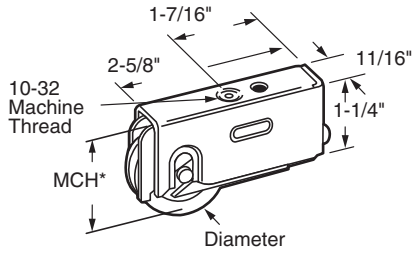


D-1896 (1-1/4" O.D. Steel - 1-1/2" MCH)
D-1597 (1-1/2" O.D. Nylon - 1-11/16" MCH)
D-1594 (1-1/2" O.D. Steel - 1-11/16" MCH)

Roller Assembly

Contents: 1 roller assembly.

Description: Stainless steel ball bearing roller assembly; adjustable stainless steel housing; fits on *Daryl*[®], *Patio Magic*[®] and other patio door manufacturers.

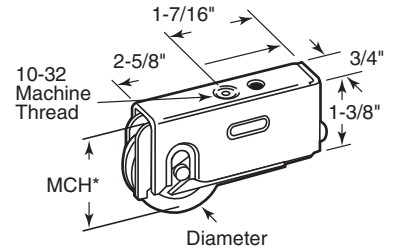


D-1594-SS

Roller Assembly

Contents: 1 roller assembly.

Description: Ball bearing roller assembly; adjustable steel housing; fits on *Air Control*[®], *Howmet*[®], *Krestmark*[®] and others.

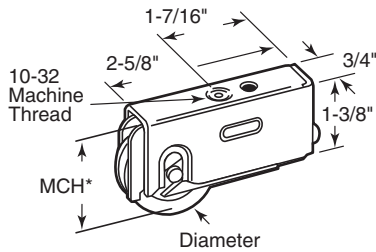


- D-1724** (1-1/4" O.D. Nylon - 1-3/8" MCH)
- D-1723** (1-1/4" O.D. Steel - 1-3/8" MCH)
- D-1786** (1-1/2" O.D. Nylon - 1-1/2" MCH)
- D-1563** (1-1/2" O.D. Steel - 1-1/2" MCH)

Roller Assembly

Contents: 1 roller assembly.

Description: Stainless steel ball bearing roller assembly; adjustable stainless steel housing; fits on *Air Control*[®], *Howmet*[®], *Krestmark*[®] and others.

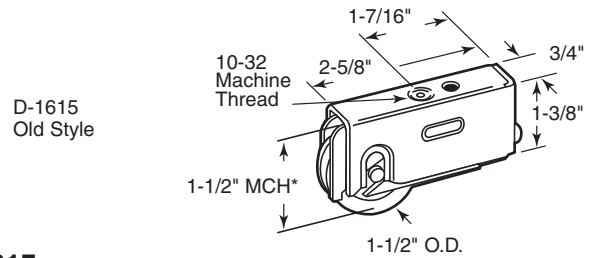


D-1563-SS

Roller Assembly

Contents: 1 roller assembly.

Description: Steel ball bearing roller assembly; adjustable steel housing; instructions show conversion from old style.

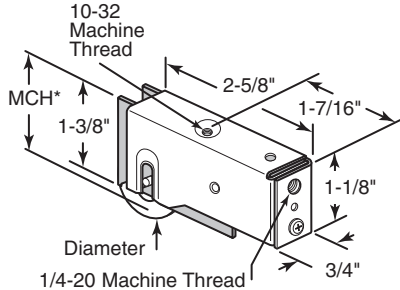


D-1615

Roller Assembly

Contents: 1 roller assembly.

Description: Ball bearing roller assembly; adjustable steel housing; used by many patio door manufacturers.

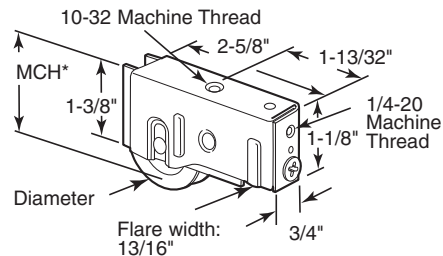


- D-1834** (1-1/4" O.D. Nylon - 1-17/32" MCH)
- D-1832** (1-1/4" O.D. Steel - 1-17/32" MCH)
- D-1833** (1-1/2" O.D. Nylon - 1-19/32" MCH)
- D-1831** (1-1/2" O.D. Steel - 1-19/32" MCH)

Roller Assembly

Contents: 1 roller assembly.

Description: Ball bearing roller assembly; adjustable steel housing; fits on several patio door manufacturers.

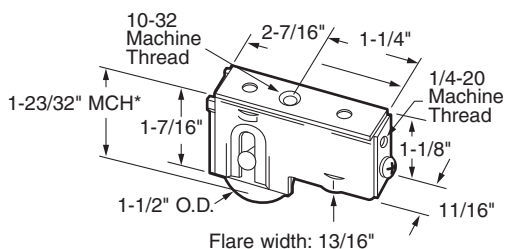


- D-1907** (1-1/4" O.D. Nylon - 1-1/2" MCH)
- D-1957** (1-1/2" O.D. Nylon - 1-9/16" MCH)
- D-1860** (1-1/2" O.D. Steel - 1-9/16" MCH)

Roller Assembly

Contents: 1 roller assembly.

Description: Steel ball bearing roller assembly; adjustable steel housing; used by many patio door manufacturers.

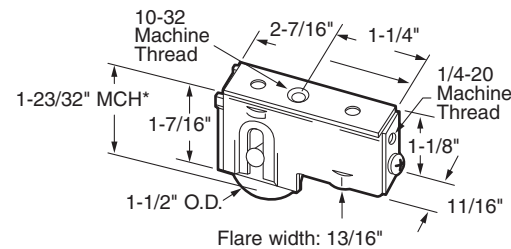


D-1947

Roller Assembly

Contents: 1 roller assembly.

Description: Stainless steel ball bearing roller assembly; adjustable stainless steel housing; used by many patio door manufacturers.

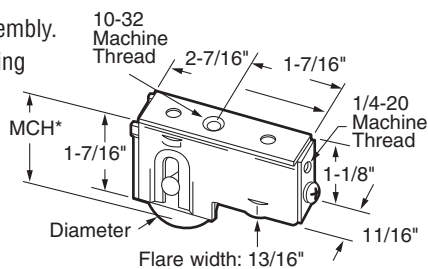


D-1948

Roller Assembly

Contents: 1 roller assembly.

Description: Ball bearing roller assembly; adjustable steel housing; fits on *Fleetwood*® and other patio door manufacturers.



D-1748 (1-1/8" O.D. Steel - 1-19/32" MCH)

D-1849 (1-1/4" O.D. Nylon - 1-21/32" MCH)

D-1747 (1-1/4" O.D. Steel - 1-21/32" MCH)

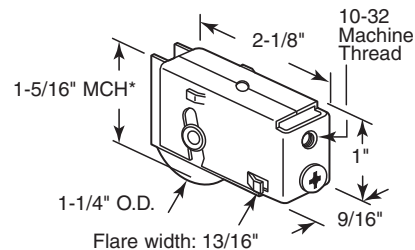
D-1973 (1-1/2" O.D. Nylon - 1-23/32" MCH)

D-1537 (1-1/2" O.D. Steel - 1-23/32" MCH)

Roller Assembly

Contents: 1 roller assembly.

Description: Steel ball bearing roller assembly; adjustable steel housing; fits on *Acorn Door*® and other patio door manufacturers.



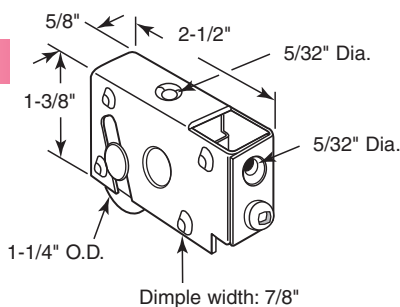
D-1554

Roller Assembly

Contents: 1 roller assembly.

Description: Steel ball bearing roller assembly; adjustable steel housing.

Call For Availability

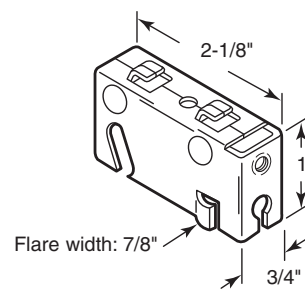


D-1807

Roller Housing

Contents: 1 roller housing.

Description: Steel outer housing; uses D-1619 inner housing; fits on *Empire Pacific*® and *Alwindor*® patio doors.

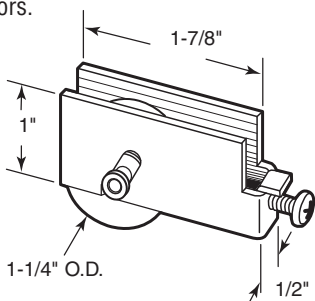


D-1618

Roller Assembly

Contents: 1 roller assembly.

Description: Steel ball bearing roller assembly; steel inner housing; uses D-1618 outer housing; fits on *Alwindor*® and *Empire Pacific*® patio doors.

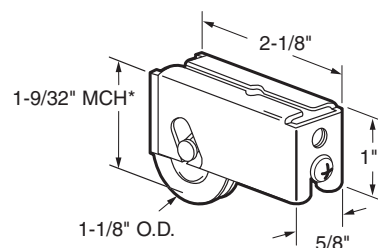


D-1619

Roller Assembly

Contents: 1 roller assembly.

Description: Steel ball bearing roller assembly; adjustable steel housing; fits on *Capitol*® doors.

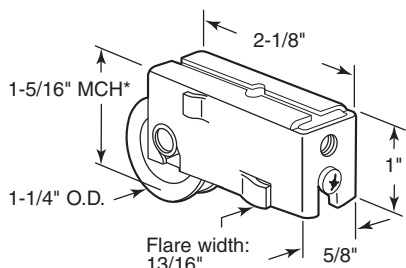


D-1596

Roller Assembly

Contents: 1 roller assembly.

Description: Nylon ball bearing roller assembly; adjustable steel housing; fits on *Regal*® and other patio door manufacturers.

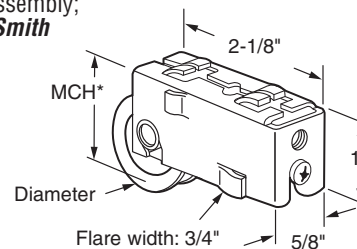


D-1536

Roller Assembly

Contents: 1 roller assembly.

Description: Ball bearing roller assembly; adjustable steel housing; fits on *Smith Carry*® and other patio door manufacturers.



D-1848 (1-1/8" O.D. Steel - 1-1/4" MCH)

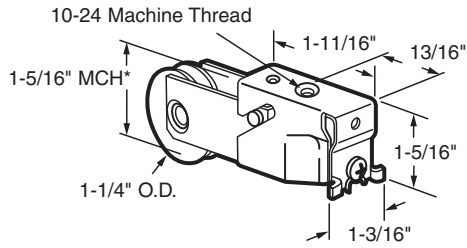
D-1535 (1-1/4" O.D. Nylon - 1-5/16" MCH)

D-1785 (1-1/4" O.D. Steel - 1-5/16" MCH)

Roller Assembly

Contents: 1 roller assembly.

Description: Steel ball bearing roller assembly; adjustable steel housing; fits on **Smith & Kelly**® doors and other patio door manufacturers.

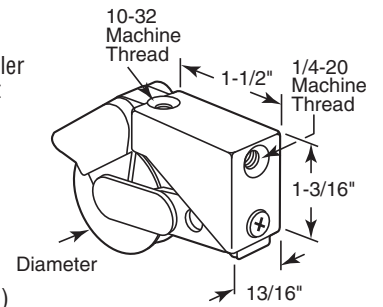


D-1560

Roller Assembly

Contents: 1 roller assembly.

Description: Ball bearing roller assembly; adjustable diecast housing; fits on **Fleetwood**® and **Fullview**® patio doors.



D-1620 (1-1/4" O.D. Nylon)
D-1532 (1-1/4" O.D. Steel)
D-1621 (1-1/2" O.D. Nylon)
D-1533 (1-1/2" O.D. Steel)
D-1533-SS (1-1/2" O.D. Stainless steel)

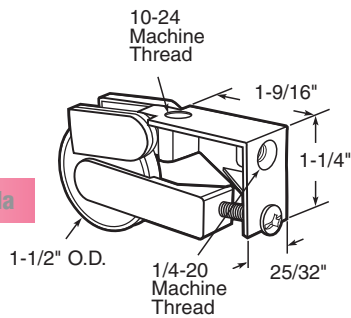
Roller Assembly

Contents: 1 roller assembly.

Description: Steel ball bearing roller assembly; adjustable diecast housing; used by several patio door manufacturers.



Used primarily in Canada



D-1934

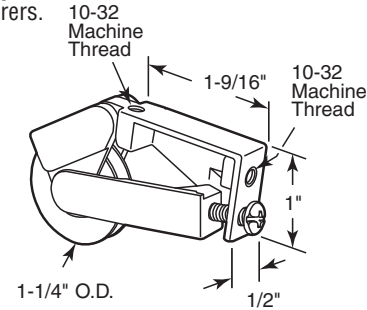
Roller Assembly

Contents: 1 roller assembly.

Description: Steel ball bearing roller assembly; adjustable diecast housing; used by many patio door manufacturers.



Used primarily in Canada

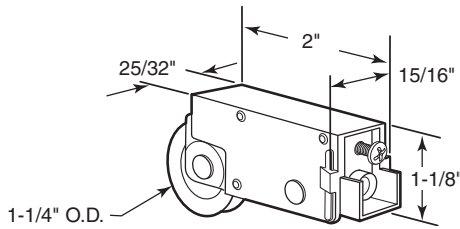


D-1794

Roller Assembly

Contents: 1 roller assembly.

Description: Steel ball bearing roller assembly; adjustable diecast housing; fits on "old style" **Acorn**® doors.

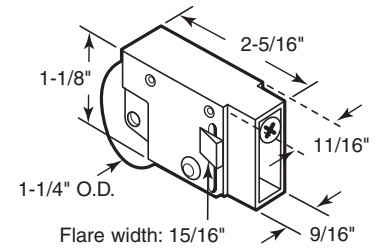


D-1842

Roller Assembly

Contents: 1 roller assembly.

Description: Steel ball bearing roller assembly; adjustable diecast housing; fits on **Crossly**® doors and other patio door manufacturers.

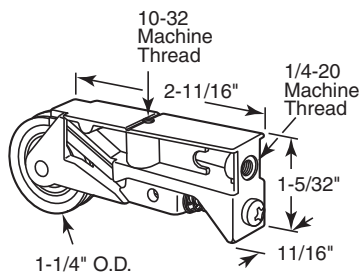


D-1603

Roller Assembly

Contents: 1 roller assembly.

Description: Steel ball bearing roller assembly; adjustable diecast housing; used by many patio door manufacturers.

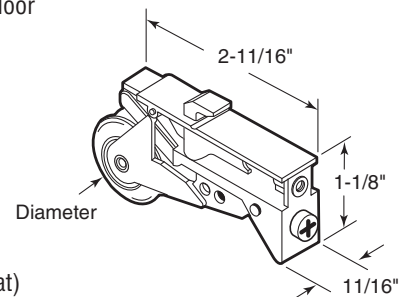


D-1640

Roller Assembly

Contents: 1 roller assembly.

Description: Steel ball bearing roller assembly; adjustable diecast housing; used by several patio door manufacturers.

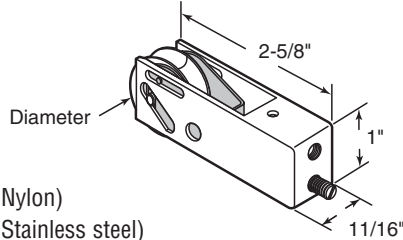


D-1962 (7/8" O.D. Flat)
D-1734 (1-1/4" O.D.)

Roller Assembly

Contents: 1 roller assembly.

Description: Ball bearing roller assembly; adjustable diecast housing; fits on *Trimview*® doors and many other manufacturers.



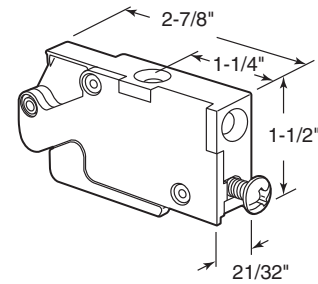
- D-1587** (1-1/4" O.D. Nylon)
- D-1932** (1-1/4" O.D. Stainless steel)
- D-1810** (1-1/2" O.D. Nylon)
- D-1825** (1-1/2" O.D. Steel)

Roller Housing

Contents: 1 roller housing.

Description: Diecast adjustable housing; no wheel; replace with D-1750.

Call For Availability

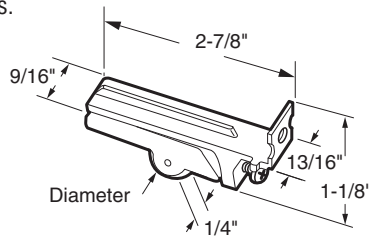


D-2001

Roller Assembly

Contents: 1 roller assembly.

Description: Flat roller assembly; adjustable diecast housing; used by several patio door manufacturers.

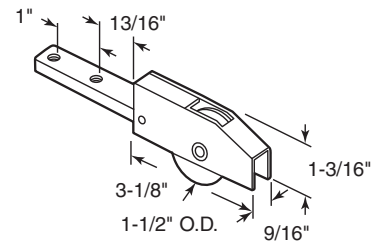


- D-1614** (5/8" O.D. Flat nylon with brass bushing)
- D-1613** (7/8" O.D. Flat steel ball bearing)

Roller Assembly

Contents: 1 roller assembly.

Description: Steel ball bearing roller assembly; steel roller housing.

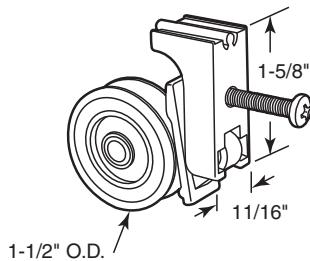


D-1893

Roller Assembly

Contents: 1 roller assembly.

Description: Nylon ball bearing roller assembly; adjustable diecast housing; fits on *Nudor*® doors and other patio door manufacturers.

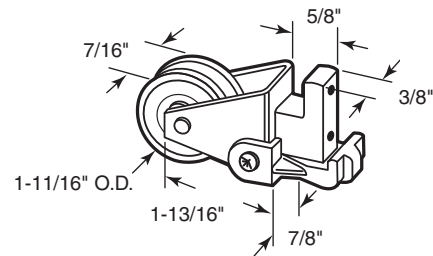


D-1550

Roller Assembly

Contents: 1 roller assembly.

Description: Nylon ball bearing roller assembly; adjustable diecast housing; fits on *Art Door*® patio doors.

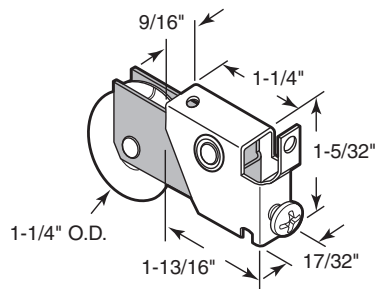


D-1555

Roller Assembly

Contents: 1 roller assembly.

Description: Steel ball bearing roller assembly; adjustable steel housing; used by several door manufacturers.

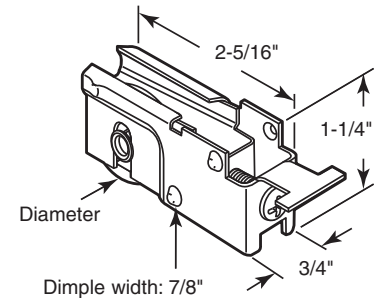


D-1906

Roller Assembly

Contents: 1 roller assembly.

Description: Ball bearing roller assembly; adjustable steel housing; used by several door manufacturers.

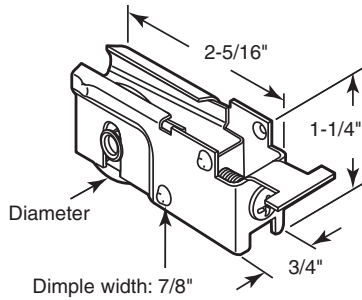


- D-1837** (1" O.D. Steel)
- D-1523** (1-1/8" O.D. Steel)
- D-1728** (1-1/4" O.D. Nylon)
- D-1923** (1-1/4" O.D. Steel)
- D-1789** (1-1/2" O.D. Nylon)
- D-1525** (1-1/2" O.D. Steel)

Roller Assembly

Contents: 1 roller assembly.

Description: Stainless steel ball bearing roller assembly; adjustable stainless steel housing; used by several door manufacturers.

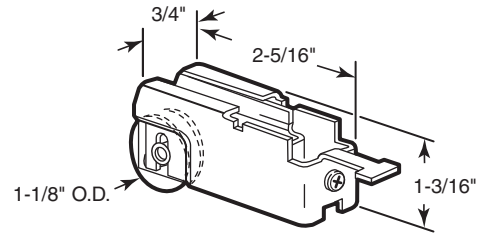


- D-1523-SS** (1-1/8" O.D.)
- D-1923-SS** (1-1/4" O.D.)
- D-1525-SS** (1-1/2" O.D.)

Roller Assembly

Contents: 1 roller assembly.

Description: Steel ball bearing roller assembly; adjustable steel housing; fits on *T.M Cobb*® and other patio door manufacturers.

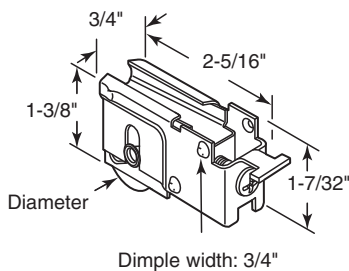


D-1524

Roller Assembly

Contents: 1 roller assembly.

Description: Steel ball bearing roller assembly; adjustable steel housing; used by several patio door manufacturers.

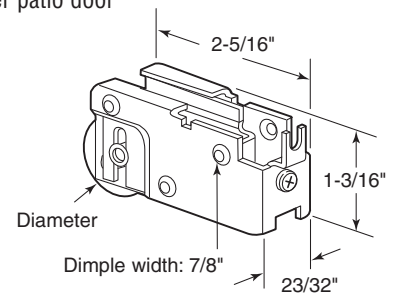


- D-1788** (1-1/8" O.D.)
- D-1878** (1-1/2" O.D.)

Roller Assembly

Contents: 1 roller assembly.

Description: Steel ball bearing roller assembly; adjustable steel housing; fits on *Solar Ind.*® and other patio door manufacturers.

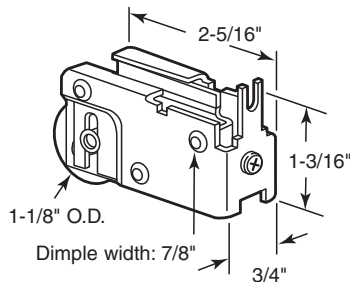


- D-1527** (1-1/8" O.D.)
- D-1526** (1-1/4" O.D.)

Roller Assembly

Contents: 1 roller assembly.

Description: Steel ball bearing roller assembly; adjustable steel housing; fits on *Northrop*® and other patio door manufacturers.

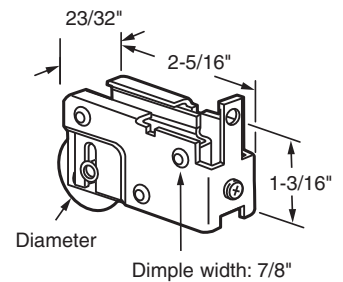


D-1529

Roller Assembly

Contents: 1 roller assembly.

Description: Steel ball bearing roller assembly; adjustable steel housing; used by several patio door manufacturers.

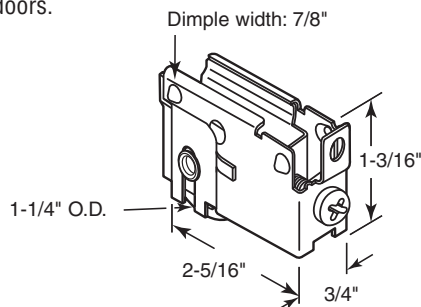


- D-1528** (1-1/8" O.D.)
- D-1925** (1-1/2" O.D.)

Roller Assembly

Contents: 1 roller assembly.

Description: Steel ball bearing roller assembly; adjustable steel housing; fits on *Northrop*® series 600 doors.

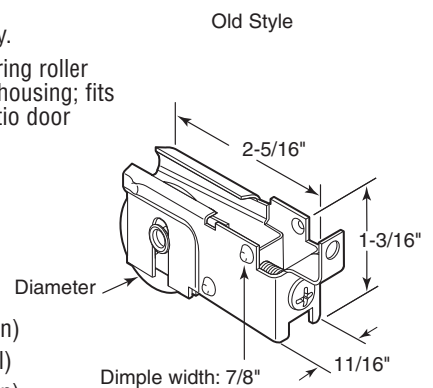


D-1811

Roller Assembly

Contents: 1 roller assembly.

Description: Steel ball bearing roller assembly; adjustable steel housing; fits on *Northrop*® and other patio door manufacturers.

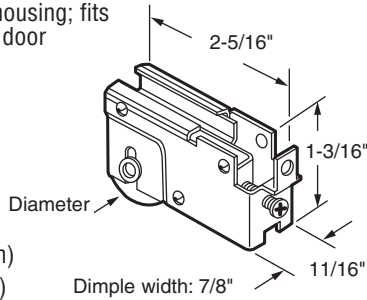


- D-1733** (1-1/4" O.D. Nylon)
- D-1584** (1-1/4" O.D. Steel)
- D-1929** (1-1/2" O.D. Nylon)
- D-1902** (1-1/2" O.D. Steel)

Roller Assembly

Contents: 1 roller assembly.

Description: Ball bearing roller assembly; adjustable steel housing; fits on *Lupton*® and other patio door manufacturers.

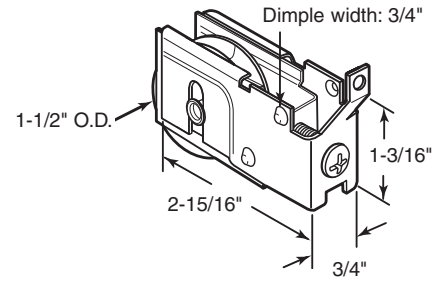


- D-1840** (1" O.D. Steel)
- D-1539** (1-1/4" O.D. Nylon)
- D-1918** (1-1/4" O.D. Steel)
- D-1974** (1-1/2" O.D. Nylon)
- D-1975** (1-1/2" O.D. Steel)

Roller Assembly

Contents: 1 roller assembly.

Description: Nylon ball bearing roller assembly; adjustable steel housing; used by several door manufacturers.

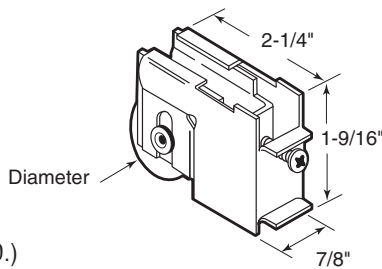


D-1737

Roller Assembly

Contents: 1 roller assembly.

Description: Steel ball bearing roller assembly; adjustable steel housing; fits on *Peachtree*® *Citation III* series patio doors.

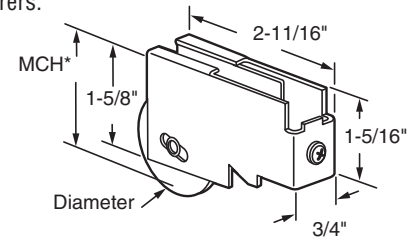


- D-1813** (1-1/8" O.D.)
- D-1611** (1-1/4" O.D.)

Roller Assembly

Contents: 1 roller assembly.

Description: Ball bearing roller assembly; steel housing; fits on *Arcadia*® doors and other patio door manufacturers.

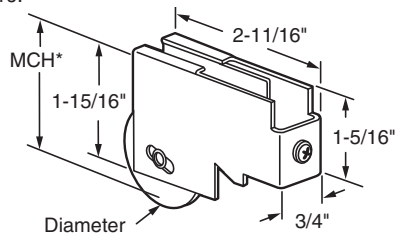


- D-1557** (1-11/16" O.D. Nylon - 2" MCH)
- D-1726** (1-13/16" O.D. Steel - 2-1/16" MCH)

Roller Assembly

Contents: 1 roller assembly.

Description: Ball bearing roller assembly; steel housing; fits on *Arcadia*® doors and other patio door manufacturers.

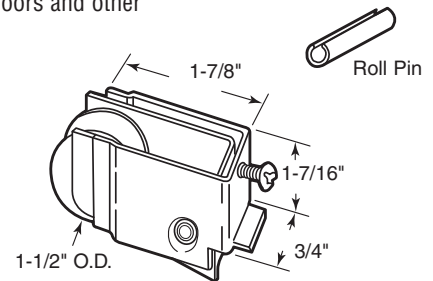


- D-1731** (1-11/16" O.D. Nylon - 2-1/4" MCH)
- D-1793** (1-13/16" O.D. Steel - 2-5/16" MCH)

Roller Assembly

Contents: 1 roller assembly.

Description: Ball bearing roller assembly; adjustable steel housing; fits on *Lumidor*®, *C.E. Stanley*® doors and other patio door manufacturers.

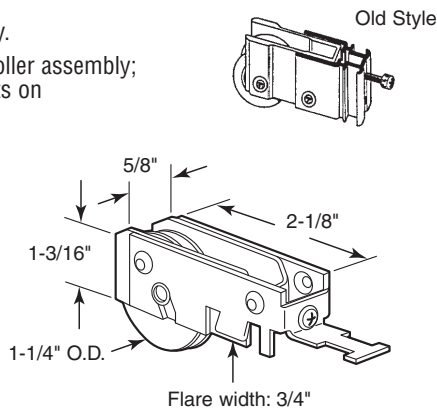


- D-1595** (Nylon)
- D-1749** (Steel)

Roller Assembly

Contents: 1 roller assembly.

Description: Ball bearing roller assembly; adjustable steel housing; fits on *International*® doors.

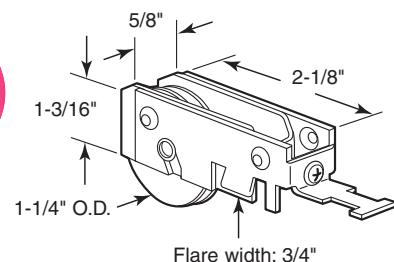


- D-1720** (Nylon)
- D-1518** (Steel)

Roller Assembly

Contents: 1 roller assembly.

Description: Stainless steel ball bearing roller assembly; adjustable stainless steel housing; ideal for use in corrosive conditions; fits on *International*® doors.

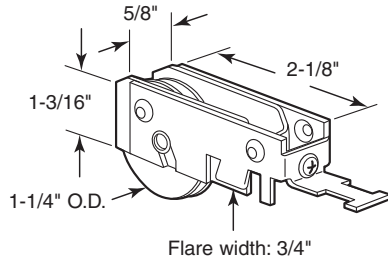


D-1518-SS

Roller Assembly

Contents: 1 roller assembly.

Description: Ball bearing roller assembly; adjustable aluminum housing; aluminum housing resist corrosion; fits on *International*® doors.

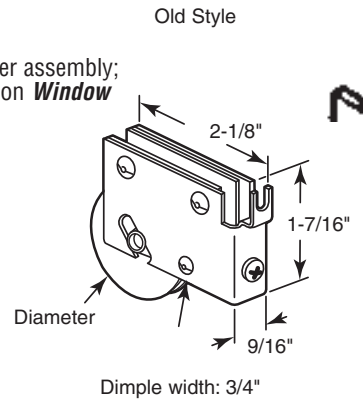


- D-1777** (Nylon)
- D-1778** (Stainless steel)

Roller Assembly

Contents: 1 roller assembly.

Description: Ball bearing roller assembly; adjustable steel housing; fits on *Window Master*® patio doors.

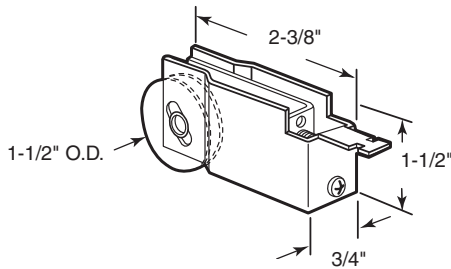


- D-1817** (1-1/4" O.D. Nylon)
- D-1756** (1-1/4" O.D. Steel)
- D-1589** (1-1/2" O.D. Nylon)
- D-1588** (1-1/2" O.D. Steel)

Roller Assembly

Contents: 1 roller assembly.

Description: Ball bearing roller assembly; adjustable steel housing; fits on *Doormaster*® and other patio door manufacturers.

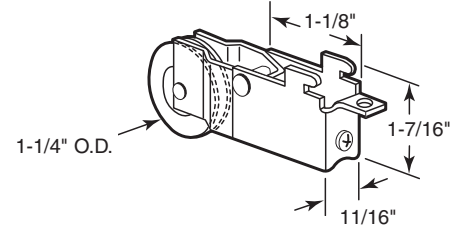


- D-1516** (Nylon)
- D-2039** (Steel)

Roller Assembly

Contents: 1 roller assembly.

Description: Ball bearing roller assembly; adjustable steel housing; used by several patio door manufacturers.

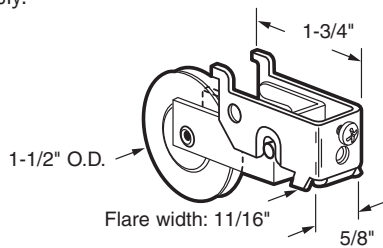


- D-1512** (Nylon)
- D-1886** (Steel)

Roller Assembly

Contents: 1 roller assembly.

Description: Ball bearing roller; adjustable steel housing; fits on *Ador Hilite*® patio doors; roller or housing can be bought separately.

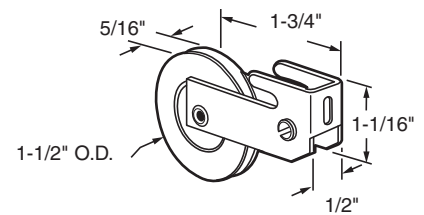


- D-1683** (Nylon)
- D-1685** (Steel)

Roller Assembly

Contents: 1 roller assembly.

Description: Ball bearing roller; steel mounting bracket; for use with D-1545 housing; combine to create D-1683 or D-1685.

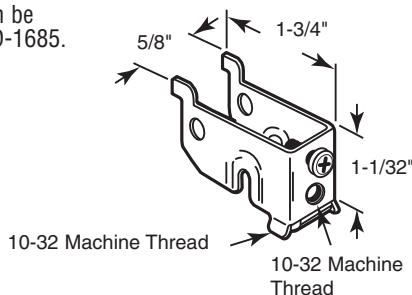


- D-1546** (Nylon)
- D-1585** (Steel)

Roller Housing

Contents: 1 roller housing.

Description: Steel housing for use with D-1546 or D-1585 roller; fits on *Ador Hilite*® patio doors; can be bought as a set, D-1683 or D-1685.

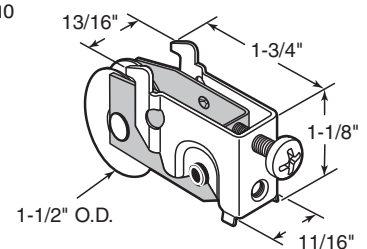


D-1545

Roller Assembly

Contents: 1 roller assembly.

Description: Steel ball bearing roller assembly; adjustable steel housing; used on *H & D Industries*® patio doors; housing can be bought separately, D-1543; D-1544 inner housing no longer available, use D-1546 or D-1585.

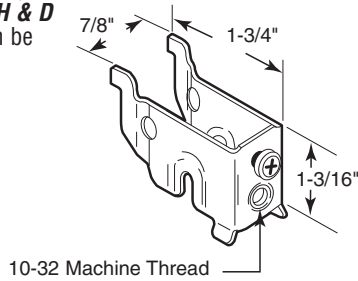


D-1853

Roller Housing

Contents: 1 roller housing.

Description: Steel housing for use with D-1544 roller, however, D-1544 inner housing is no longer available, use D-1546 or D-1585.; fits on **H & D Industries**® patio doors; can be bought as a set, D-1853.

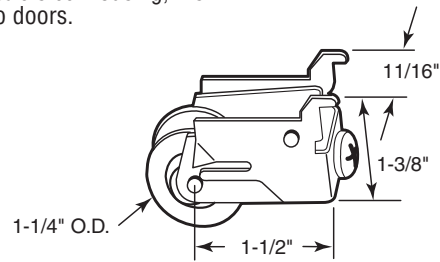


D-1543

Roller Assembly

Contents: 1 roller assembly.

Description: Ball bearing roller assembly; adjustable steel housing; fits on **Premier**® patio doors.

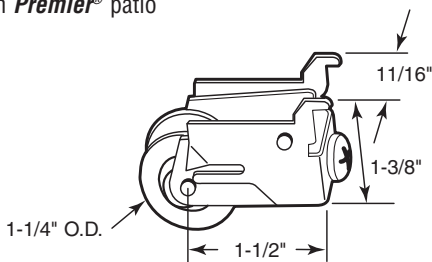


D-1522 (Nylon)
D-1752 (Steel)

Roller Assembly

Contents: 1 roller assembly.

Description: Stainless steel ball bearing roller assembly; adjustable stainless steel housing; fits on **Premier**® patio doors.



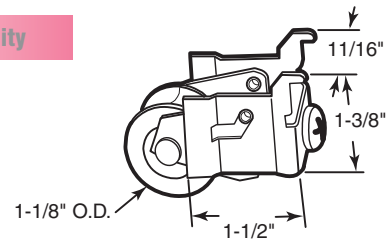
D-1752-SS

Roller Assembly

Contents: 1 roller assembly.

Description: Steel ball bearing roller assembly; adjustable steel housing; used by many patio door manufacturers.

Call For Availability



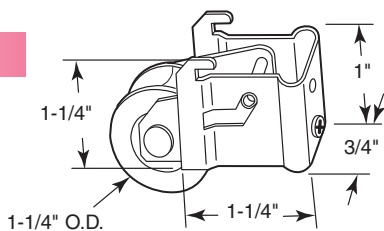
D-1715

Roller Assembly

Contents: 1 roller assembly.

Description: Steel ball bearing roller assembly; adjustable steel housing; used by many patio door manufacturers.

Call For Availability

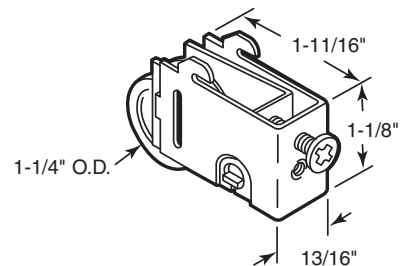


D-2004

Roller Assembly

Contents: 1 roller assembly.

Description: Steel ball bearing roller assembly; adjustable steel housing; fits on **Noranda Building Products**®, **Three Rivers Aluminum**® and **Bee Cee**® doors.

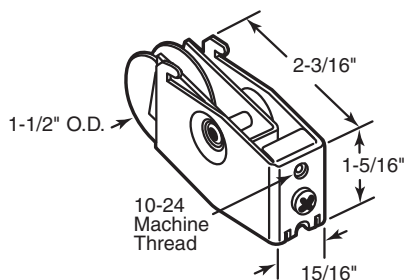


D-1687

Roller Assembly

Contents: 1 roller assembly.

Description: Ball bearing roller assembly; adjustable steel housing; fits on **Northrop**® patio doors.



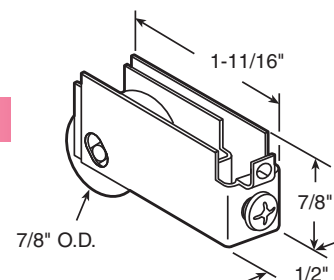
D-1556 (Nylon)
D-1950 (Steel)

Roller Assembly

Contents: 1 roller assembly.

Description: Steel ball bearing roller assembly; adjustable steel housing; fits on **Guaranteed Products**® and **The Jordan Company**® doors.

Call For Availability



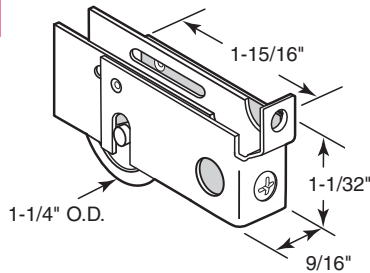
D-1776

Roller Assembly

Contents: 1 roller assembly.

Description: Nylon ball bearing roller assembly; adjustable steel housing; used by several patio door manufacturers.

Call For Availability

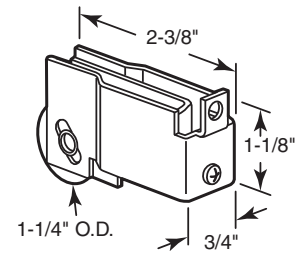


D-1898

Roller Assembly

Contents: 1 roller assembly.

Description: Steel ball bearing roller assembly; adjustable steel housing; fits on *Christian Porter*, *Fullview* and other patio door manufacturers.



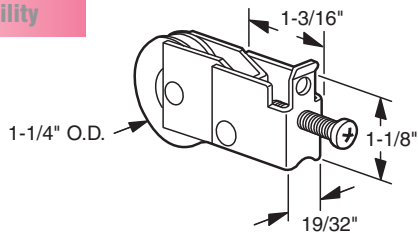
D-1515

Roller Assembly

Contents: 1 roller assembly.

Description: Nylon ball bearing roller; adjustable steel housing assembly; used by several patio door manufacturers.

Call For Availability

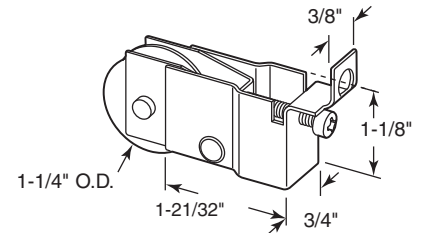


D-1508

Roller Assembly

Contents: 1 roller assembly.

Description: Nylon ball bearing roller assembly; adjustable steel housing; fits on *Ador HiLite* and other patio door manufacturers.

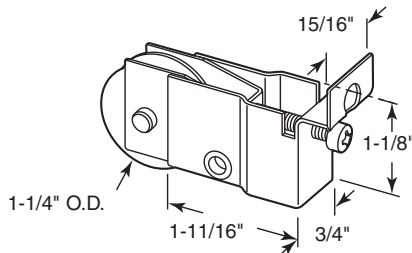


D-1521

Roller Assembly

Contents: 1 roller assembly.

Description: Nylon ball bearing roller assembly; adjustable steel housing; fits on *Ador HiLite* and other patio door manufacturers; original roller housing was made entirely out of nylon.

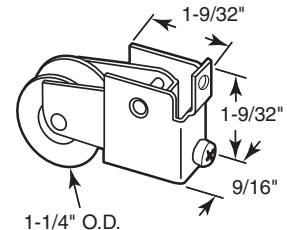
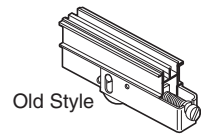


D-1520

Roller Assembly

Contents: 1 roller assembly.

Description: Steel ball bearing roller assembly; adjustable steel housing; fits on *Sun Valley*, *Fullview*, *Glasco* and other patio door manufacturers.

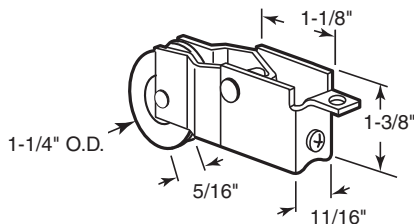


D-1509

Roller Assembly

Contents: 1 roller assembly.

Description: Nylon ball bearing roller assembly; adjustable steel housing; fits on *Rebco-West* doors.

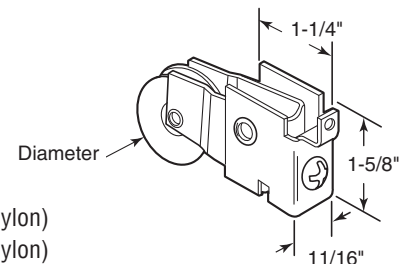


D-1513

Roller Assembly

Contents: 1 roller assembly.

Description: Ball bearing roller assembly; adjustable steel housing; fits on *Starlite*, *Doormaster* and other patio door manufacturers.

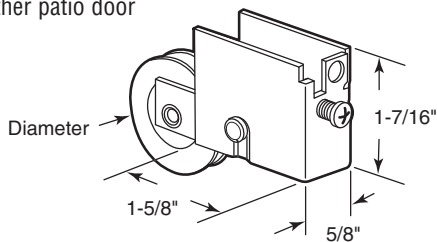


D-1510 (1-1/4" O.D. Nylon)
D-1511 (1-1/2" O.D. Nylon)
D-1772 (1-1/2" O.D. Steel)

Roller Assembly

Contents: 1 roller assembly.

Description: Ball bearing roller assembly; adjustable steel housing; fits on **Marshall**[®] and other patio door manufacturers.



D-1931 (1-1/4" Stainless steel)

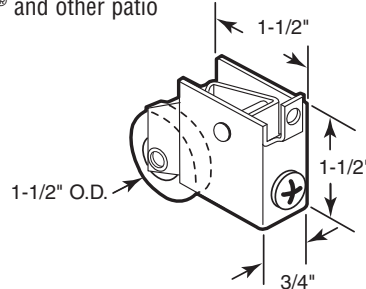
D-1558 (1-1/2" Nylon)

D-1976 (1-1/2" Steel)

Roller Assembly

Contents: 1 roller assembly.

Description: Steel ball bearing roller assembly; adjustable steel housing; fits on **Hollyview**[®], **Fullview**[®] and other patio door manufacturers.

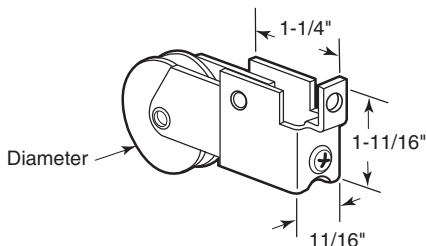


D-1531

Roller Assembly

Contents: 1 roller assembly.

Description: Steel ball bearing roller assembly; adjustable steel housing; used by several patio door manufacturers.



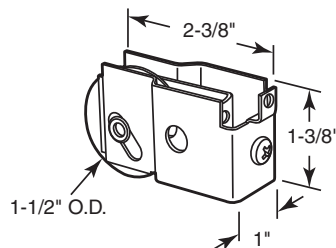
D-1578 (1-1/4" O.D.)

D-1790 (1-1/2" O.D.)

Roller Assembly

Contents: 1 roller assembly.

Description: Steel ball bearing roller assembly; adjustable steel housing; fits on **Schooner**[®] and other patio door manufacturers.

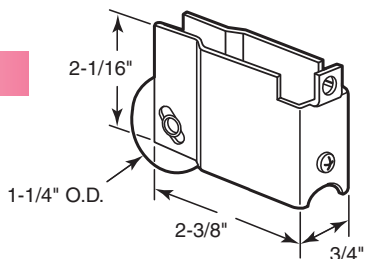


D-1530

Roller Assembly

Contents: 1 roller assembly.

Description: Steel ball bearing roller assembly; adjustable steel housing; fits on **Mid-Continent**[®] and other patio door manufacturers.

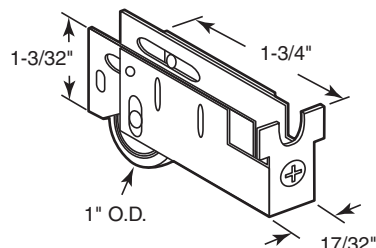


D-1517

Roller Assembly

Contents: 1 roller assembly.

Description: Flat steel ball bearing roller assembly; adjustable steel housing; fits on **Capitol**[®] doors.

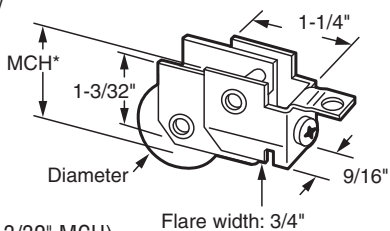


D-1774

Roller Assembly

Contents: 1 roller assembly.

Description: Ball bearing roller assembly; adjustable steel housing; used by several sliding door manufacturers.



D-1696 (1-1/8" O.D. Steel - 1-13/32" MCH)

D-1698 (1-1/4" O.D. Nylon - 1-7/16" MCH)

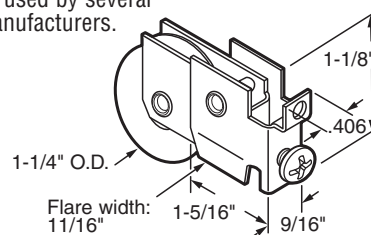
D-1697 (1-1/4" O.D. Steel - 1-7/16" MCH)

D-1841 (1-1/2" O.D. Steel - 1-15/32" MCH)

Roller Assembly

Contents: 1 roller assembly.

Description: Ball bearing roller assembly; adjustable steel housing; used by several patio and mirror door manufacturers.



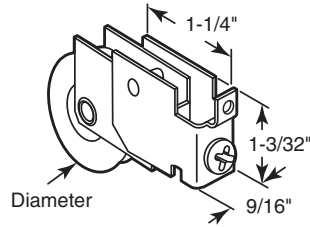
D-1936 (Nylon)

D-1686 (Steel)

Roller Assembly

Contents: 1 roller assembly.

Description: Ball bearing roller assembly; adjustable steel housing; inner and outer housings are held together with a flush pin (not a rivet); housing has smooth sides, no flares.

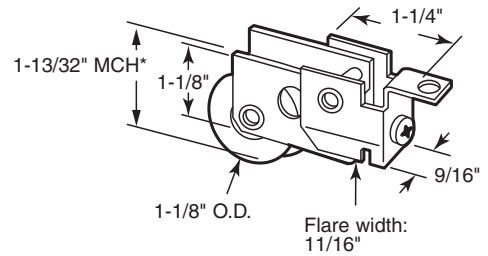


- D-1887** (1-1/4" O.D. Nylon)
- D-1773** (1-1/4" O.D. Steel)
- D-1879** (1-1/2" O.D. Nylon)

Roller Assembly

Contents: 1 roller assembly.

Description: Steel ball bearing roller assembly; adjustable steel housing; used by many mirror and wardrobe manufacturers.

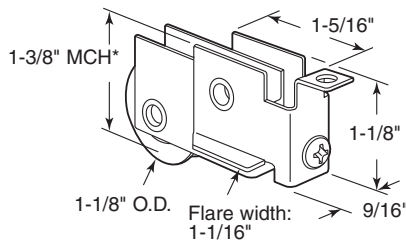


D-1812

Roller Assembly

Contents: 1 roller assembly.

Description: Steel ball bearing roller assembly; adjustable steel housing; used by many mirror and wardrobe manufacturers.

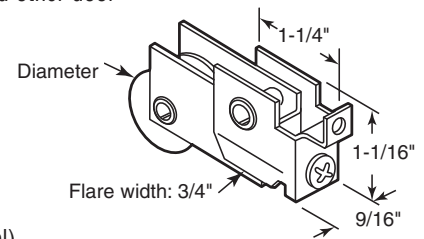


D-1909

Roller Assembly

Contents: 1 roller assembly.

Description: Ball bearing roller assembly; adjustable steel housing; fits on *King Mirror*® doors and other door manufacturers.

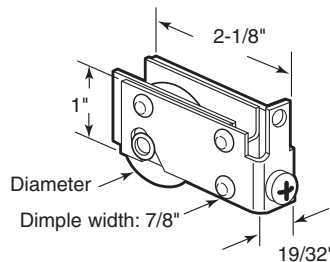


- D-1753** (1" O.D. Steel)
- D-1815** (1-1/4" O.D. Nylon)
- D-1740** (1-1/2" O.D. Steel)

Roller Assembly

Contents: 1 roller assembly.

Description: Steel ball bearing roller assembly; adjustable steel housing; fits on *Viking*® and other patio door manufacturers.

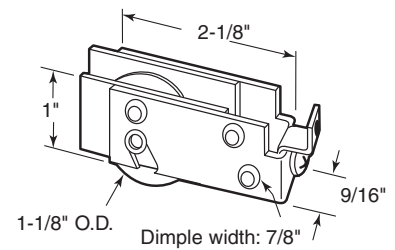


- D-1540** (1-1/8" O.D.)
- D-1729** (1-1/4" O.D.)

Roller Assembly

Contents: 1 roller assembly.

Description: Steel ball bearing roller assembly; adjustable steel housing; used by several patio door manufacturers.

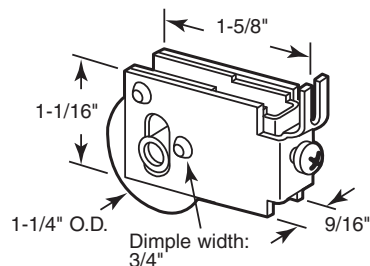


D-1699

Roller Assembly

Contents: 1 roller assembly.

Description: Ball bearing roller assembly; adjustable steel housing; fits on *Ador HiLite*® doors.

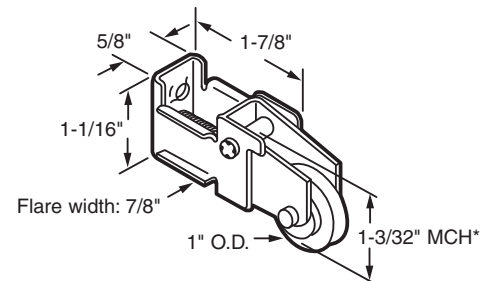


- D-1690** (Nylon)
- D-1691** (Steel)

Roller Assembly

Contents: 1 roller assembly.

Description: Steel ball bearing roller assembly; adjustable steel housing; fits on *Fullview*® patio doors.

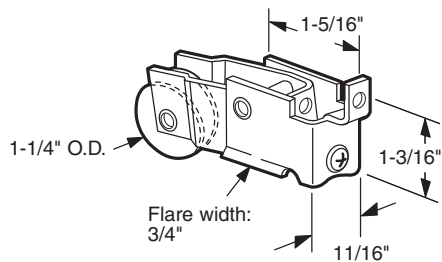


D-1590

Roller Assembly

Contents: 1 roller assembly.

Description: Steel ball bearing roller assembly; adjustable steel housing; fits on **Christian Porter**® and other patio door manufacturers.

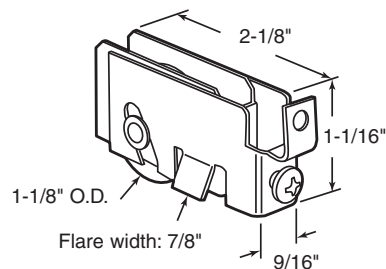


D-1514

Roller Assembly

Contents: 1 roller assembly.

Description: Steel ball bearing roller assembly; adjustable steel housing; fits **International**® doors.

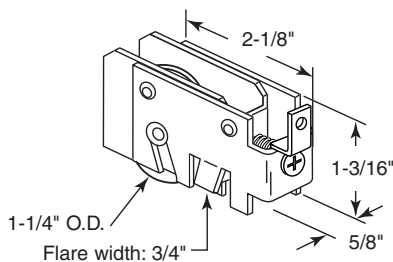


D-1942

Roller Assembly

Contents: 1 roller assembly.

Description: Steel ball bearing roller assembly; adjustable steel housing; fits **Rylock**® doors.

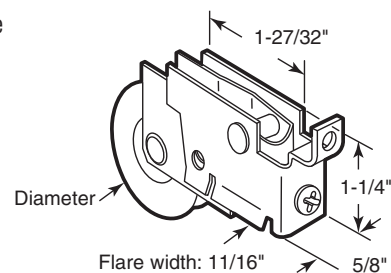


D-1856

Roller Assembly

Contents: 1 roller assembly.

Description: Ball bearing roller assembly; adjustable steel housing; used by several patio door manufacturers and will replace old style **Cupples**® door roller.



D-1978 (1-1/4" O.D. Nylon)

D-1519 (1-1/4" O.D. Steel)

D-1870 (1-1/2" O.D. Nylon)

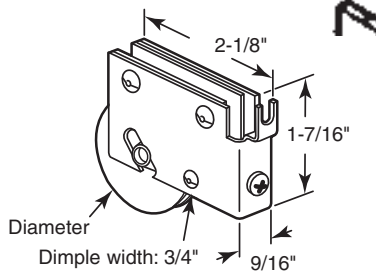
D-1977 (1-1/2" O.D. Steel)

Roller Assembly

Contents: 1 roller assembly.

Description: Ball bearing roller assembly; adjustable steel housing; fits on **Window Master**® patio doors.

Old Style



D-1817 (1-1/4" O.D. Nylon)

D-1756 (1-1/4" O.D. Steel)

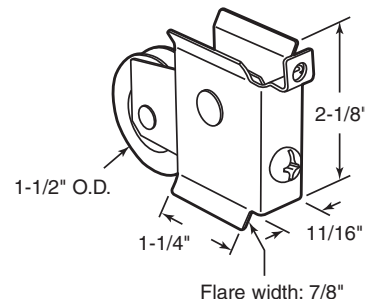
D-1589 (1-1/2" O.D. Nylon)

D-1588 (1-1/2" O.D. Steel)

Roller Assembly

Contents: 1 roller assembly.

Description: Nylon ball bearing roller assembly; adjustable steel housing; used by several patio door manufacturers.

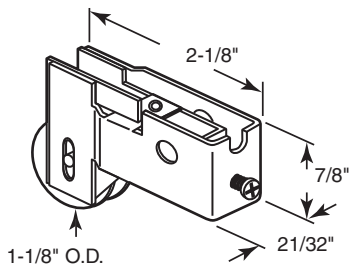


D-1905

Roller Assembly

Contents: 1 roller assembly.

Description: Nylon ball bearing roller; adjustable steel housing; fits on **Patio Enclosures**®.

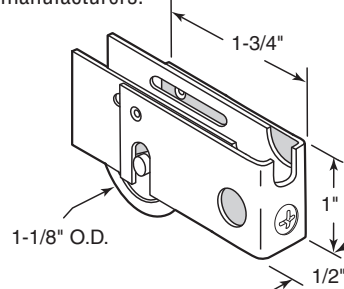


D-1771

Roller Assembly

Contents: 1 roller assembly.

Description: Steel ball bearing roller assembly; adjustable steel housing; fits on **Better-Bilt**® and other manufacturers.

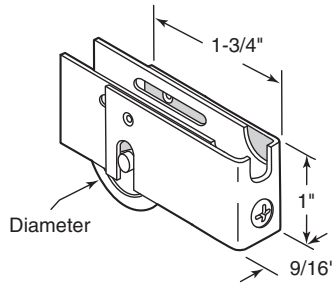


D-1758

Roller Assembly

Contents: 1 roller assembly.

Description: Ball bearing roller assembly; adjustable steel housing; fits on **Better-Bilt**® doors and other patio door manufacturers.

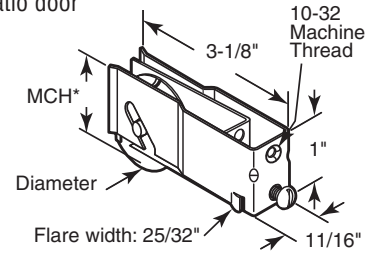


- D-1965** (1-1/8" O.D. Steel)
- D-1871** (1-1/4" O.D. Nylon)
- D-1768** (1-1/4" O.D. Steel)
- D-1873** (1-1/2" O.D. Nylon)
- D-1872** (1-1/2" O.D. Steel)

Roller Assembly

Contents: 1 roller assembly.

Description: Steel ball bearing roller assembly; adjustable steel housing; fits on **Daryl**® and other patio door manufacturers.

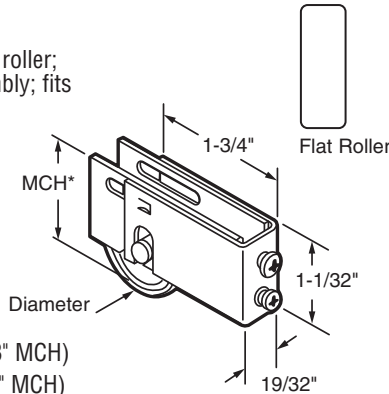


- D-1850** (1-1/4" O.D. - 1-1/4" MCH)
- D-1952** (1-1/2" O.D. - 1-5/16" MCH)

Roller Assembly

Contents: 1 roller assembly.

Description: Steel ball bearing roller; adjustable steel housing assembly; fits on **Capitol**® patio doors.

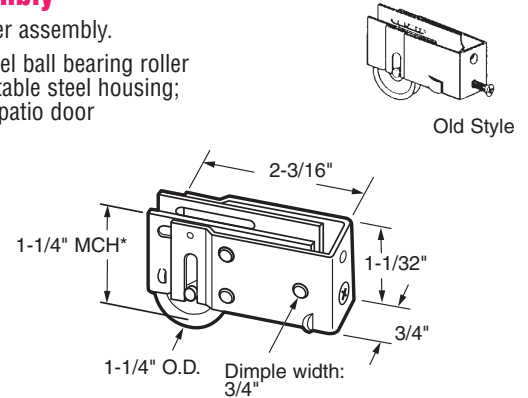


- D-1757** (1" O.D. - Flat - 1-1/8" MCH)
- D-1964** (1-1/8" O.D. - 1-3/16" MCH)
- D-1883** (1-1/4" O.D. - 1-1/4" MCH)

Roller Assembly

Contents: 1 roller assembly.

Description: Steel ball bearing roller assembly; adjustable steel housing; used by several patio door manufacturers.

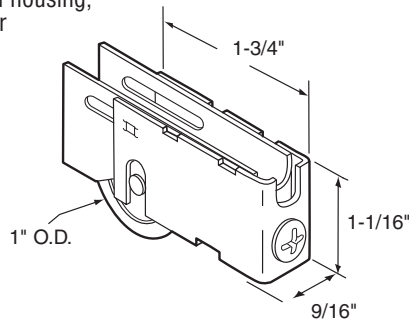


D-1707

Roller Assembly

Contents: 1 roller assembly.

Description: Steel ball bearing roller assembly; adjustable steel housing; used by several patio door manufacturers.

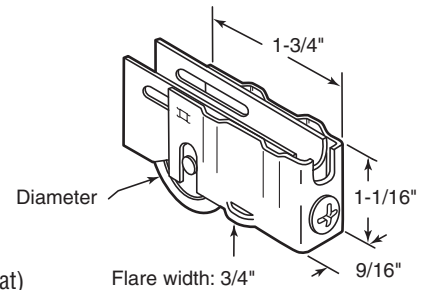


D-1829

Roller Assembly

Contents: 1 roller assembly.

Description: Steel ball bearing roller; adjustable steel housing assembly.

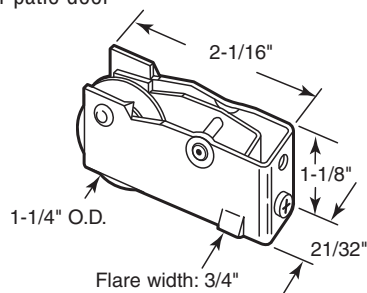


- D-1818** (1" O.D. - Flat)
- D-1755** (1-1/8" O.D.)

Roller Assembly

Contents: 1 roller assembly.

Description: Steel ball bearing roller assembly; adjustable steel housing; fits on **Crossly**® doors and other patio door manufacturers.

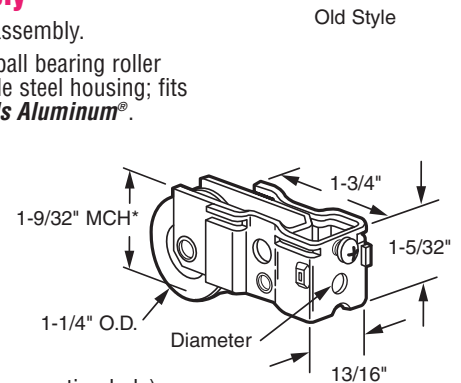


D-1601

Roller Assembly

Contents: 1 roller assembly.

Description: Steel ball bearing roller assembly; adjustable steel housing; fits on **Acorn**® and **Wells Aluminum**®.

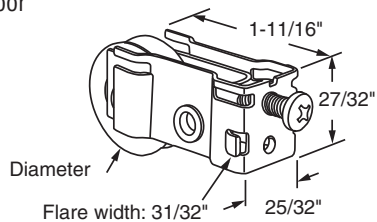


- D-1911** (.161 Dia. mounting hole)
- D-1559** (.228 Dia. mounting hole)

Roller Assembly

Contents: 1 roller assembly.

Description: Flat steel ball bearing roller assembly; adjustable steel housing; used by several patio door manufacturers.



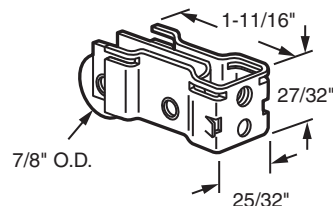
D-1889 (7/8" O.D. Flat - 1-9/32" MCH)

D-1890 (1-1/8" O.D. - 1-11/32" MCH)

Roller Assembly

Contents: 1 roller assembly.

Description: Flat steel ball bearing roller assembly; adjustable steel housing.

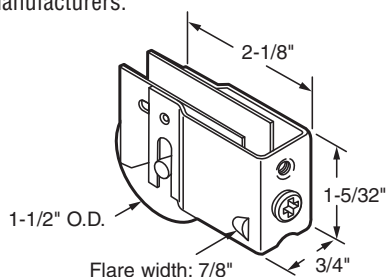


D-1963

Roller Assembly

Contents: 1 roller assembly.

Description: Steel ball bearing roller assembly; adjustable steel housing; used by several patio door manufacturers.

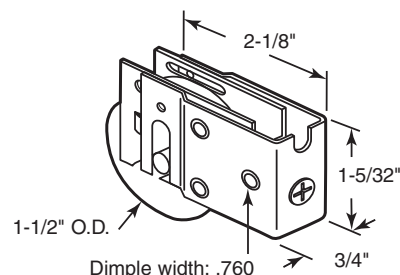


D-1826

Roller Assembly

Contents: 1 roller assembly.

Description: Steel ball bearing roller assembly; adjustable steel housing; fits on **Lausell Aluminum**® doors and other patio door manufacturers.



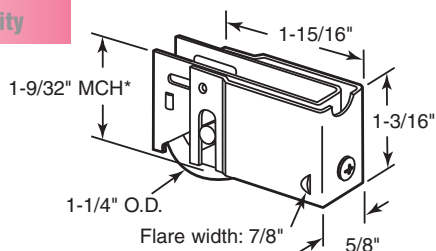
D-1781

Roller Assembly

Contents: 1 roller assembly.

Description: Steel ball bearing roller; adjustable steel housing assembly.

Call For Availability

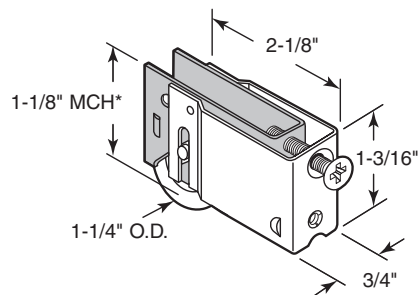


D-1819

Roller Assembly

Contents: 1 roller assembly.

Description: Steel ball bearing roller assembly; adjustable steel housing; fits on **Nu-Air**® doors and other patio door manufacturers.



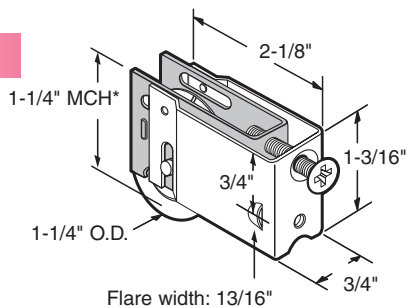
D-1762

Roller Assembly

Contents: 1 roller assembly.

Description: Steel ball bearing roller; adjustable steel housing assembly.

Call For Availability

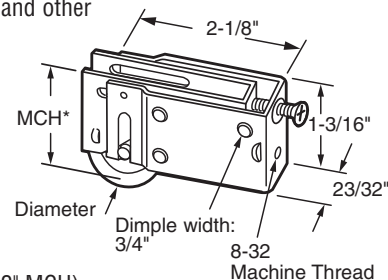


D-1823

Roller Assembly

Contents: 1 roller assembly.

Description: Steel ball bearing roller assembly; adjustable steel housing; fits on **Harcar**®, **Bee Cee**® doors and other patio door manufacturers.



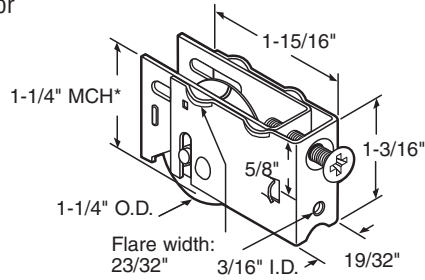
D-1708 (1-1/4" O.D. - 1-9/32" MCH)

D-1835 (1-1/2" O.D. - 1-15/32" MCH)

Roller Assembly

Contents: 1 roller assembly.

Description: Steel ball bearing roller assembly; adjustable steel housing; used by several patio door manufacturers.

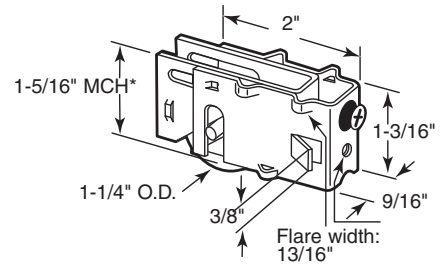


D-1820

Roller Assembly

Contents: 1 roller assembly.

Description: Steel ball bearing roller assembly; adjustable steel housing; fits on *Nu-Air*®, *Bennings*®, and *Scotty*® patio doors.

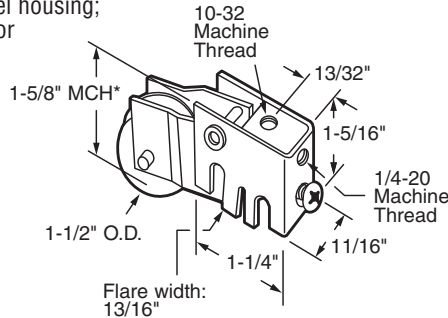


D-1688

Roller Assembly

Contents: 1 roller assembly.

Description: Ball bearing roller assembly; adjustable steel housing; used by several patio door manufacturers.

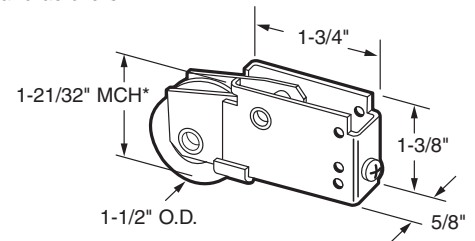


D-1805 (Nylon)
D-1534 (Steel)

Roller Assembly

Contents: 1 roller assembly.

Description: Ball bearing roller assembly; adjustable steel housing; fits on *Marshall Aluminum*® doors and other patio door manufacturers.



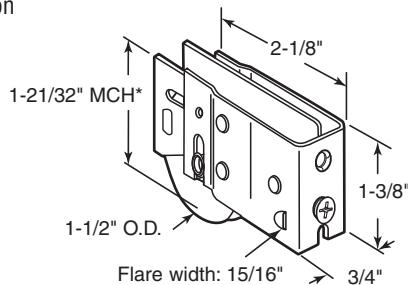
D-1599 (Nylon)
D-1901 (Steel)

Roller Assembly

Contents: 1 roller assembly.

Description: Steel ball bearing roller; adjustable steel housing; fits on *Harcar*®, *Bee Cee*® and other patio door manufacturers.

Call For Availability

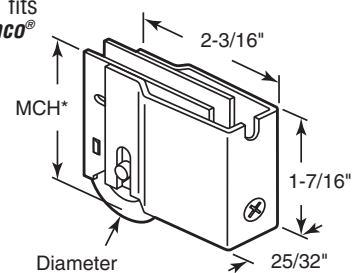


D-1770

Roller Assembly

Contents: 1 roller assembly.

Description: Steel ball bearing roller assembly; adjustable steel housing; fits on *Crown Manufacturing*® and *Penco*® doors.

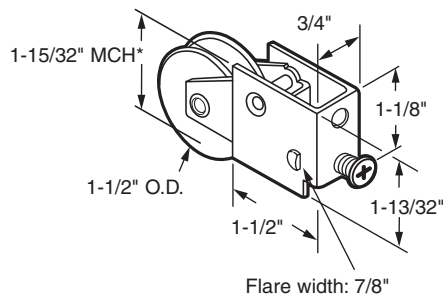


D-1782 (1-1/4" O.D. - 1-1/2" MCH)
D-1824 (1-1/2" O.D. - 1-5/8" MCH)

Roller Assembly

Contents: 1 roller assembly.

Description: Steel ball bearing roller assembly; adjustable steel housing; fits on several patio door manufacturers.

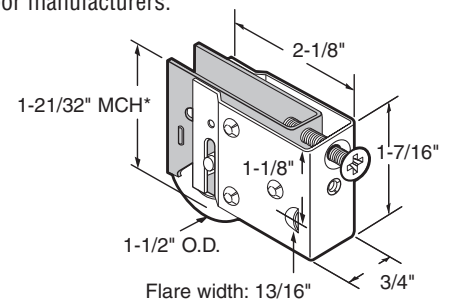


D-1608

Roller Assembly

Contents: 1 roller assembly.

Description: Steel ball bearing roller assembly; adjustable steel housing; used by several patio door manufacturers.

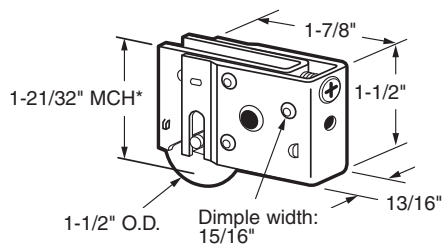


D-1828

Roller Assembly

Contents: 1 roller assembly.

Description: Steel ball bearing roller assembly; adjustable steel housing; fits on **Pan Am**® doors and other patio door manufacturers.

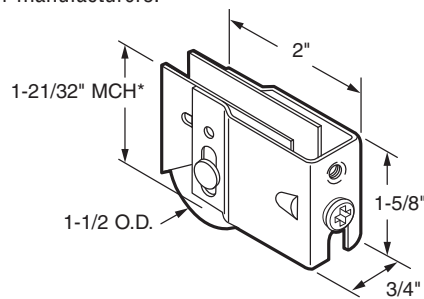


D-1763

Roller Assembly

Contents: 1 roller assembly.

Description: Steel ball bearing roller assembly; adjustable steel housing; used by several patio door manufacturers.

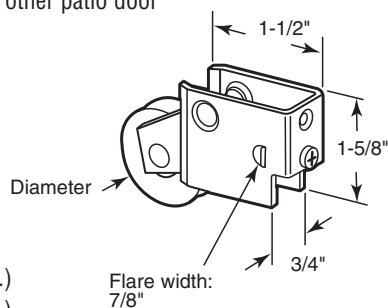


D-1751

Roller Assembly

Contents: 1 roller assembly.

Description: Steel ball bearing roller assembly; adjustable steel housing; fits on **Keller**® doors and other patio door manufacturers.

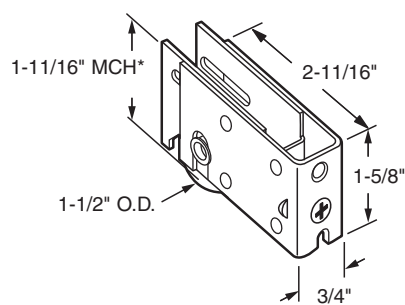


D-1561 (1-1/4" O.D.)
D-1562 (1-1/2" O.D.)

Roller Assembly

Contents: 1 roller assembly.

Description: Steel ball bearing roller assembly; adjustable steel housing; fits on **Keller** and other patio door manufacturers.

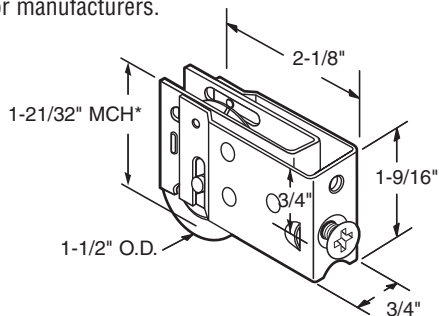


D-1759

Roller Assembly

Contents: 1 roller assembly.

Description: Steel ball bearing roller assembly; adjustable steel housing; used by several patio door manufacturers.

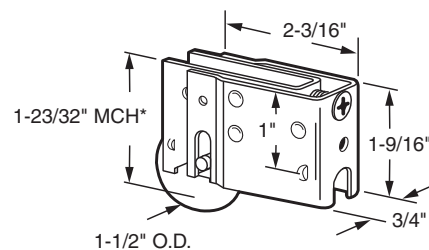


D-1822

Roller Assembly

Contents: 1 roller assembly.

Description: Ball bearing roller assembly; adjustable steel housing; fits on **Harcar**® doors and other patio door manufacturers.

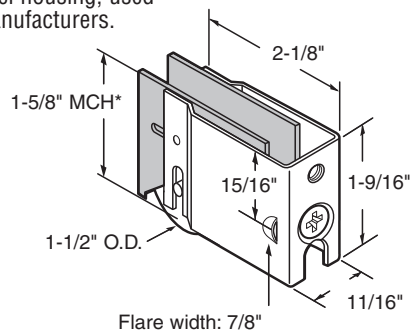


D-1930 (Nylon)
D-1600 (Steel)

Roller Assembly

Contents: 1 roller assembly.

Description: Steel ball bearing roller assembly; adjustable steel housing; used by several patio door manufacturers.

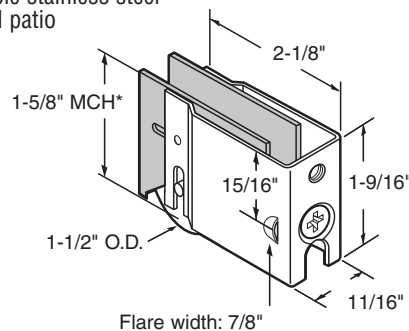


D-1830

Roller Assembly

Contents: 1 roller assembly.

Description: Stainless steel ball bearing roller assembly; adjustable stainless steel housing; used by several patio door manufacturers.



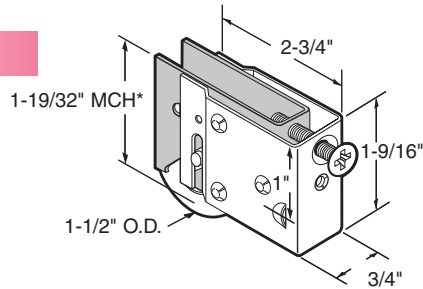
D-1830-SS

Roller Assembly

Contents: 1 roller assembly.

Description: Steel ball bearing roller assembly; adjustable steel housing; fits on **Crown Windows®** and other patio door manufacturers.

Call For Availability

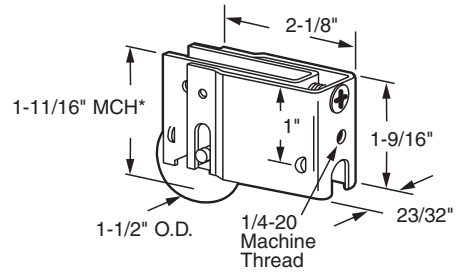


D-1761

Roller Assembly

Contents: 1 roller assembly.

Description: Steel ball bearing roller assembly; adjustable steel housing; used by several patio door manufacturers.

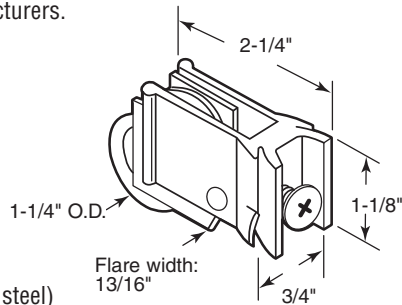


D-1949

Roller Assembly

Contents: 1 roller assembly.

Description: Ball bearing roller assembly; adjustable extruded aluminum housing; fits on **Miller®** Industries and other patio door manufacturers.

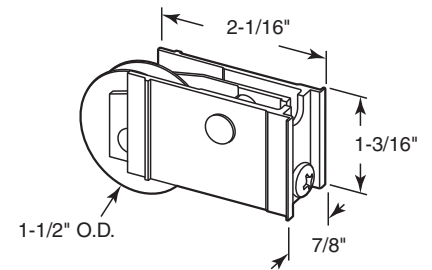


D-1602 (Steel)
D-1969-SS (Stainless steel)

Roller Assembly

Contents: 1 roller assembly.

Description: Ball bearing roller assembly; adjustable extruded aluminum housing; used by several door manufacturers.

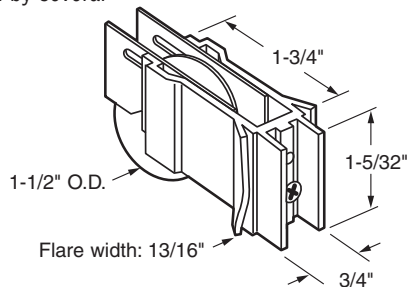


D-1955 (Nylon)
D-1863 (Steel)

Roller Assembly

Contents: 1 roller assembly.

Description: Steel ball bearing roller assembly; adjustable extruded aluminum housing; used by several door manufacturers.



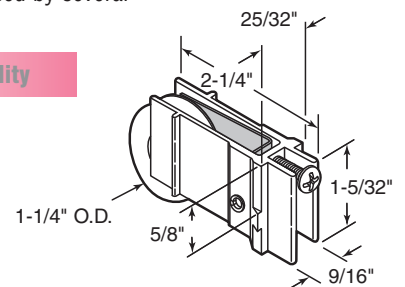
D-1767

Roller Assembly

Contents: 1 roller assembly.

Description: Steel ball bearing roller assembly; adjustable extruded aluminum housing; used by several door manufacturers.

Call For Availability



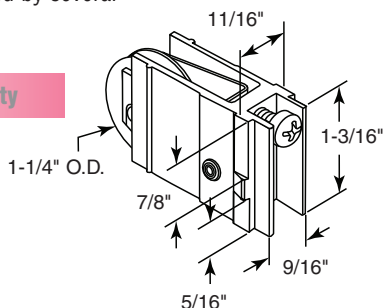
D-1885

Roller Assembly

Contents: 1 roller assembly.

Description: Steel ball bearing roller assembly; adjustable extruded aluminum housing; used by several door manufacturers.

Call For Availability

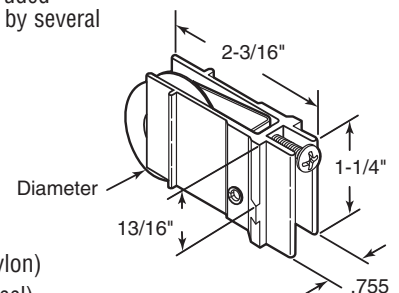


D-1958

Roller Assembly

Contents: 1 roller assembly.

Description: Ball bearing roller assembly; adjustable extruded aluminum housing; used by several door manufacturers.

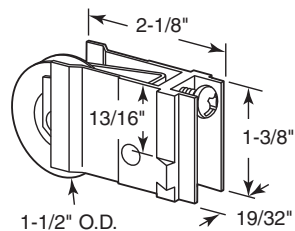


D-1953 (1-1/4" O.D. Nylon)
D-1732 (1-1/4" O.D. Steel)
D-1912 (1-1/2" O.D. Steel)

Roller Assembly

Contents: 1 roller assembly.

Description: Steel ball bearing roller assembly; adjustable extruded aluminum housing; used by several door manufacturers.

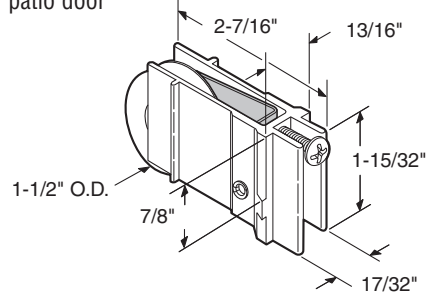


D-1960

Roller Assembly

Contents: 1 roller assembly.

Description: Steel ball bearing roller assembly; adjustable extruded aluminum housing; fits on *Pan American*[®], *AAA Aluminum*[®] and other patio door manufacturers.

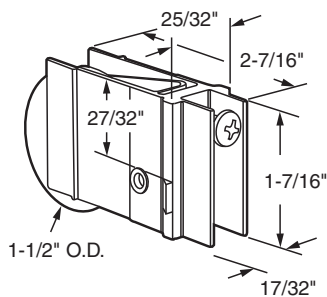


D-1598

Roller Assembly

Contents: 1 roller assembly.

Description: Nylon ball bearing roller assembly; adjustable extruded aluminum housing; used by several door manufacturers.

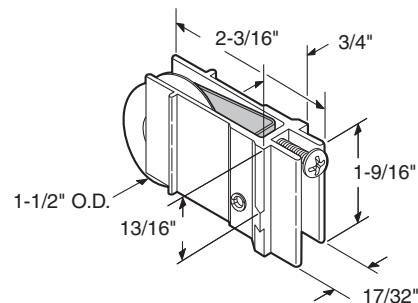


D-1769

Roller Assembly

Contents: 1 roller assembly.

Description: Ball bearing roller assembly; adjustable extruded aluminum housing; fits on *Lawson*[®] doors.

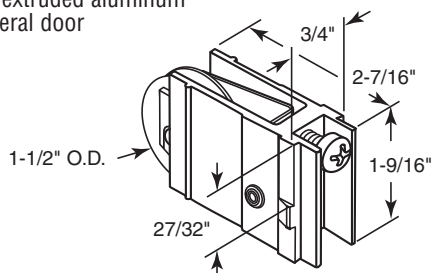


D-1954 (Nylon)
D-1956 (Steel)

Roller Assembly

Contents: 1 roller assembly.

Description: Steel ball bearing roller assembly; adjustable extruded aluminum housing; used by several door manufacturers.

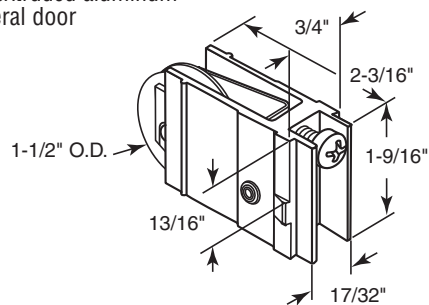


D-1959

Roller Assembly

Contents: 1 roller assembly.

Description: Nylon ball bearing roller assembly; adjustable extruded aluminum housing; used by several door manufacturers.

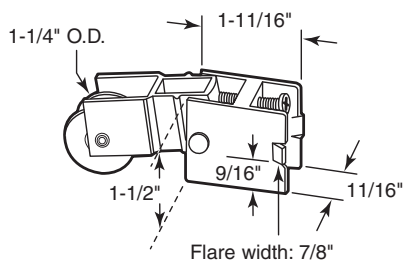


D-1961

Roller Assembly

Contents: 1 roller assembly.

Description: Ball bearing roller assembly; adjustable extruded aluminum housing; fits on *Peachtree*[®] "Command 5" series doors.

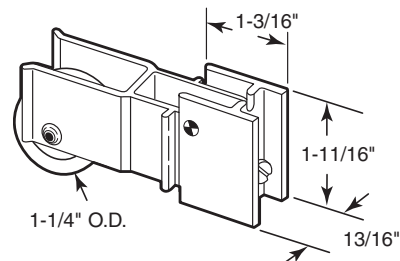


D-1967 (Nylon)
D-1616 (Steel)

Roller Assembly

Contents: 1 roller assembly.

Description: Steel ball bearing roller assembly; adjustable extruded aluminum housing; fits on *Peachtree*[®] "Citation 2" single glazed doors.

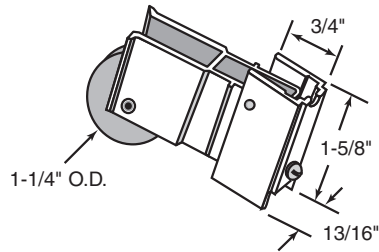


D-1610

Roller Assembly

Contents: 1 roller assembly.

Description: Steel ball bearing roller assembly; adjustable extruded aluminum housing; fits on **Peachtree®** "Citation 2" single glazed doors.

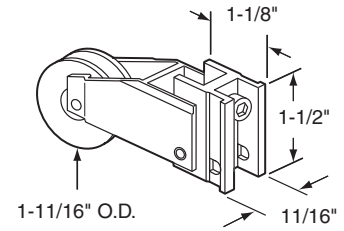


D-1609

Roller Assembly

Contents: 1 roller assembly.

Description: Nylon ball bearing roller assembly; adjustable extruded aluminum housing; fits on **Daryl®**, **Plaza Door®** and other patio door manufacturers.

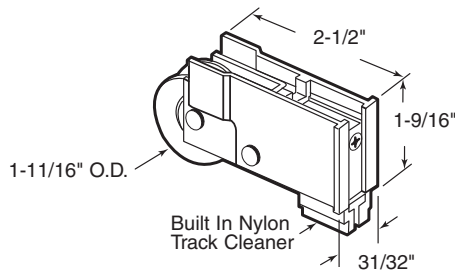


D-1591

Roller Assembly

Contents: 1 roller assembly.

Description: Nylon ball bearing roller assembly; extruded aluminum housing; nylon track cleaner; fits on **Alcan®** patio doors.

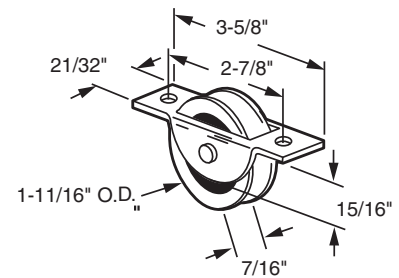


D-1764

Roller Assembly

Contents: 1 roller assembly.

Description: Nylon ball bearing roller; aluminum housing; fits on **Western®** patio doors.

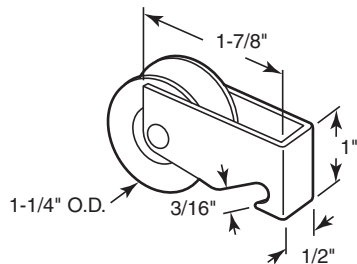


D-1564

Roller Assembly

Contents: 1 roller assembly.

Description: Steel ball bearing roller assembly; steel housing; fits on **Silverline®**.

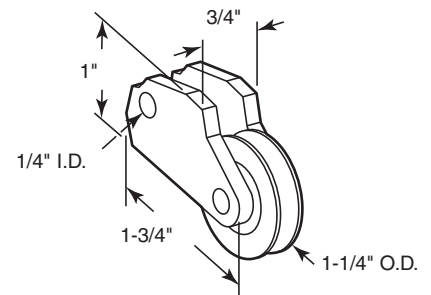


D-1966

Roller Assembly

Contents: 1 roller assembly.

Description: Nylon ball bearing roller assembly; diecast housing.

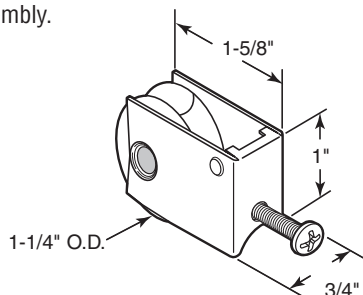


D-1970

Roller Assembly

Contents: 1 roller assembly.

Description: Steel ball bearing roller; stamped steel housing; use with D-1560 to replace inner roller assembly.

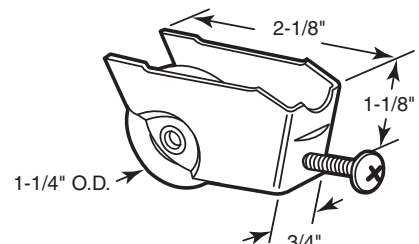


D-1836

Roller Assembly

Contents: 1 roller assembly.

Description: Steel ball bearing roller assembly; steel housing.

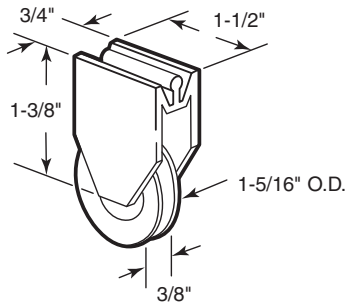


D-1721

Roller Assembly

Contents: 1 roller assembly.

Description: Nylon roller with bushing axle; non-adjustable nylon housing; fits on *Likit*® patio doors.



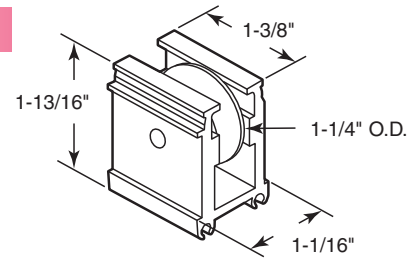
D-1565

Roller Assembly

Contents: 1 roller assembly.

Description: Steel ball bearing roller assembly; plastic housing.

Call For Availability



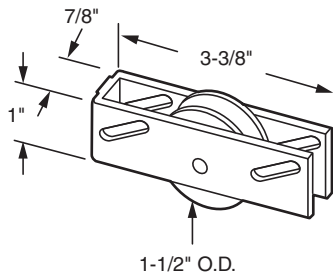
D-1968

Roller Assembly

Contents: 1 roller assembly.

Description: N

Call For Availability

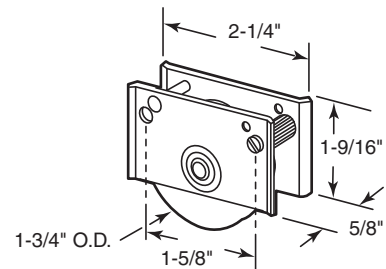


D-1972

Roller Assembly

Contents: 1 roller assembly.

Description: Steel ball bearing roller assembly; steel housing (side plate on each side of bearing); steel gear with adjustment screws.

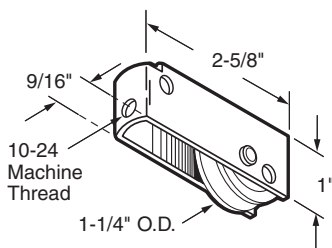


D-1637

Roller Assembly

Contents: 1 roller assembly.

Description: Ball bearing roller assembly; adjustable steel inner housing; fits on *Capitol Door*® products.



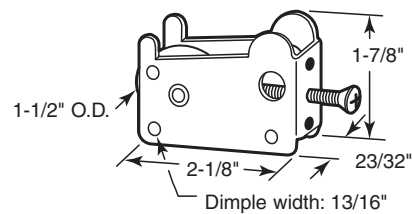
D-1617 (Nylon)

D-1892 (Steel)

Roller Assembly

Contents: 1 roller assembly.

Description: Steel ball bearing roller assembly; galvanized steel housing.

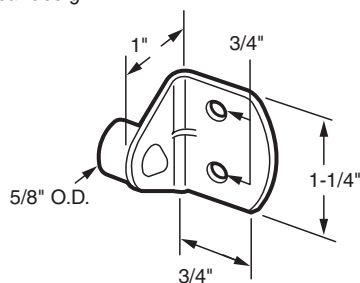


D-1722

Bumper

Contents: 2 bumpers, installation fasteners.

Description: Rubber bumper mounted on steel "L" bracket; universal design.

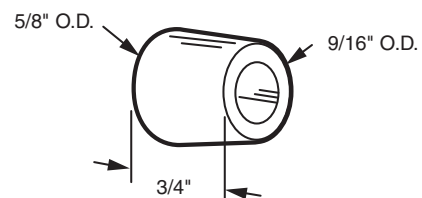


D-1702

Bumper

Contents: 4 bumpers, installation fasteners.

Description: Rubber bumper; reduces damage and noise; used by many manufacturers.

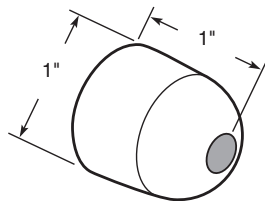


D-1714

Bumper

Contents: 2 bumpers, installation fasteners.

Description: Injected rubber bumper with steel insert washer; used on sliding patio doors to prevent the door from slamming.

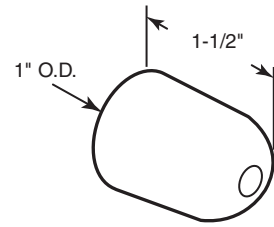


- D-1859** (Black)
- D-1935** (White)
- D-1939** (Gray)

Bumper

Contents: 2 bumpers, installation fasteners.

Description: Injected rubber bumper; attaches to jamb to prevent the door from slamming.

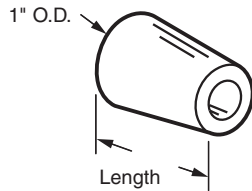


- D-2030** (Black)
- D-2022** (White)
- D-2003** (Gray)

Bumper

Contents: 2 bumpers, installation fasteners.

Description: Injected rubber bumper with steel insert washer; used on sliding patio doors to prevent the door from slamming.

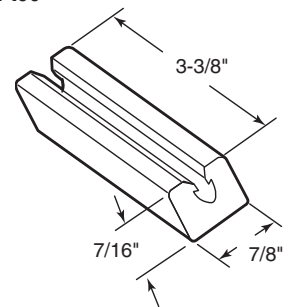


- D-1701** (1-1/2" - Black)
- D-2002** (1-1/2" - Gray)
- D-1900** (1-1/2" - White)
- D-1568** (1-13/16" - Black)
- D-1801** (1-13/16" - White)
- D-2010** (2" - Brown)
- D-1569** (2-5/8" - Black)
- D-1802** (2-5/8" - White)

Bumper

Contents: 1 bumper.

Description: Extruded black rubber bumper; mounts on sliding door track to help stop panel from being opened too far.

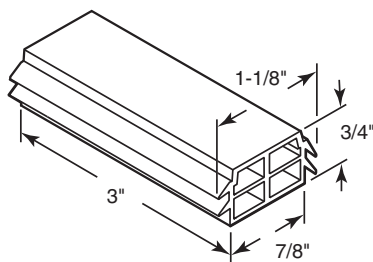


D-1814

Bumper

Contents: 2 bumpers.

Description: Extruded black rubber bumper; mounts into top frame rails to stop door; used by many manufacturers.

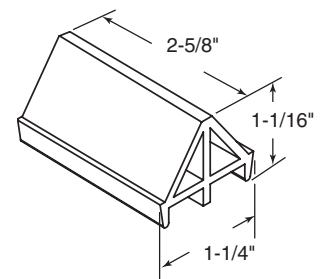


D-1792

Bumper

Contents: 2 bumpers.

Description: Extruded black rubber bumper; mounts into top frame rails to stop door; used by many manufacturers.

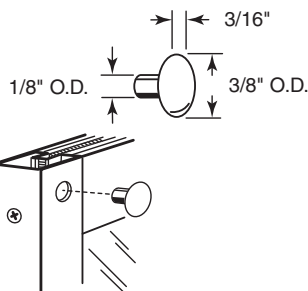


D-1700

Guide

Contents: 12 guides.

Description: Nylon guides are used to prevent door rattle along the top rail.

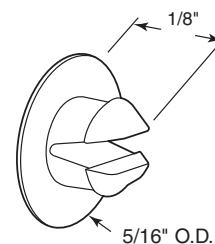


D-1695

Guide

Contents: 4 guides.

Description: Nylon guide; used in top rail of door to create a quieter and smooth sliding patio door.



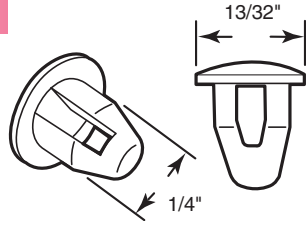
D-1710

Guide

Contents: 4 guides.

Description: Nylon guides; snaps into top rail to facilitate smooth operation.

Call For Availability

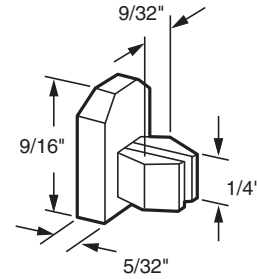


D-1851

Guide

Contents: 4 guides.

Description: Nylon guide; snaps into top rail to facilitate smooth operation; fits a 1/4" diameter hole.

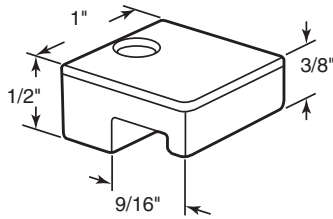


D-1717

Guide

Contents: 2 guides.

Description: Nylon top guide for *Pella*® patio doors; white finish.

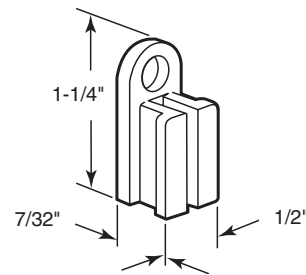


D-1999

Guide

Contents: 4 guides.

Description: Nylon guides for top of doors; fits on *Fullview*® patio doors.

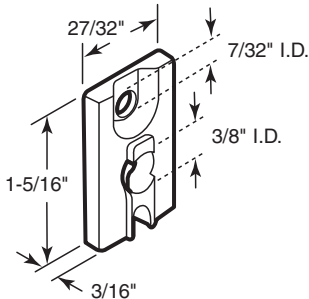


D-1570

Guide

Contents: 4 guides.

Description: Nylon guide; fits on *Daryl Industries*®.

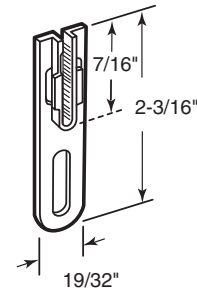


D-1629

Guide

Contents: 2 guides.

Description: Nylon guide; used by several patio door manufacturers.

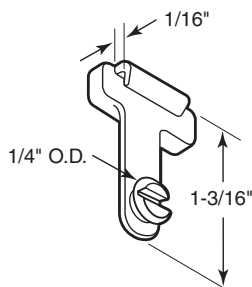


D-1635

Guide

Contents: 4 guides.

Description: Snap-in nylon guides for top of *International*® series 900 patio doors.

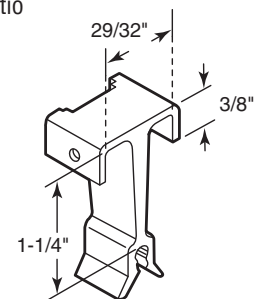


D-1577

Guide

Contents: 2 guides.

Description: Nylon guide mounts on top of door and prevents rattle during operation; fits on *International*® patio doors.

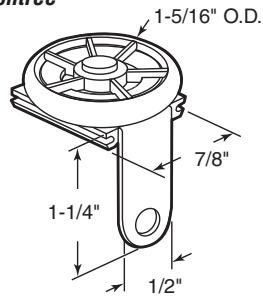


D-1684

Guide

Contents: 1 guide.

Description: Injected plastic roller guide keeps door centered in top grooves for smooth operation, fits on *Peachtree® Citation 3* doors.

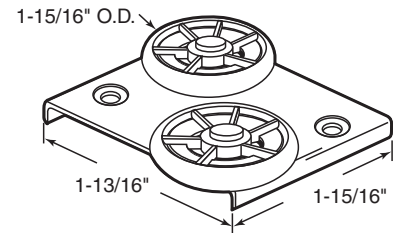


D-1803

Guide

Contents: 1 guide.

Description: Injected plastic roller guide for smooth operation, fits on *Peachtree® Carvel* doors.



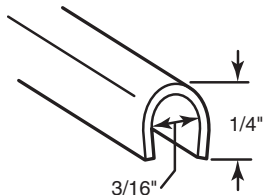
D-1804

Repair Track (Stainless Steel)

Contents: 1 track cap.

Description: Track cap is used as a repair part for damaged or badly worn tracks; easy to install.

Note: 10 piece minimum order.



D-1583 (72")

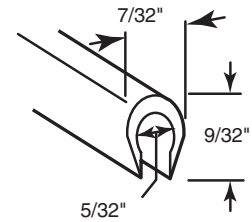
D-1579 (96")

D-1580 (120")

Repair Track

Contents: 1 track cap.

Description: Black vinyl track cap; used to repair worn or damaged tracks; helps quiet doors as they slide; used on windows as well.



D-1571 (6 ft. coil)

D-1866 (24 ft. coil)

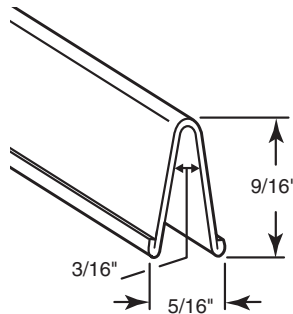
D-1933 (50 ft. coil)

Repair Track (Stainless Steel)

Contents: 1 track.

Description: Heavy duty track can be used by itself or as a repair track; can be used on wood or metal tracks.

Note: 5 piece minimum order.



D-1581 (96")

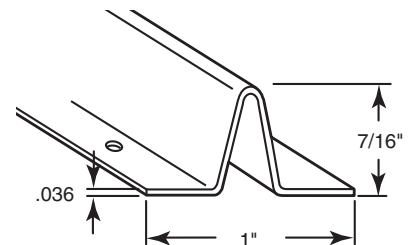
D-1582 (120")

Repair Track (Stainless Steel)

Contents: 1 track.

Description: Heavy duty track can be used by itself or as a repair track; can be used on wood or metal tracks.

Note: 5 piece minimum order.



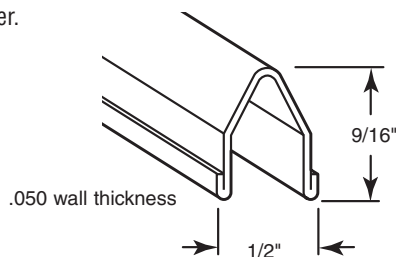
D-2040 (96")

Repair Track (Stainless Steel)

Contents: 1 track.

Description: Heavy duty track can be used by itself or as a repair track; can be used on wood or metal tracks.

Note: 5 piece minimum order.



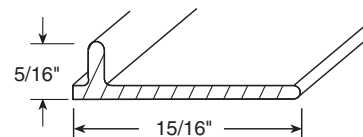
D-2041 (96")

Screen Door Repair Track

Contents: 1 track.

Description:

Note: 5 piece minimum order.



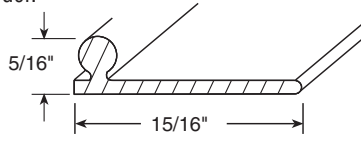
Length	Anodized Aluminum	Anodized Bronze
6'	D-1655	D-1670
8'	D-1660	D-1675
10'	D-1665	D-1680
12'	D-1744	D-1746

Patio Door Repair Track

Contents: 1 track.

Description:

Note: 10 piece minimum order.



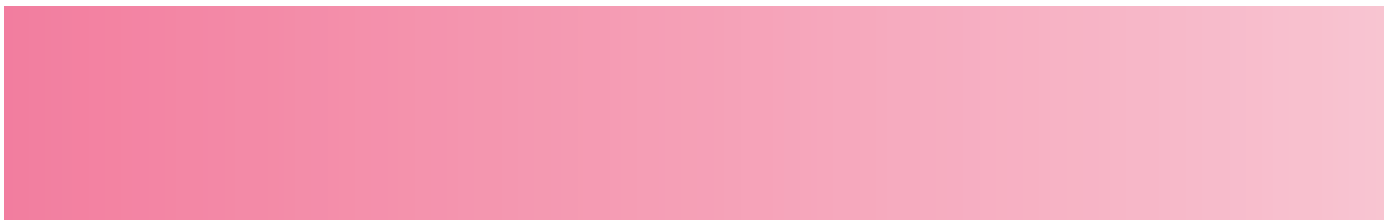
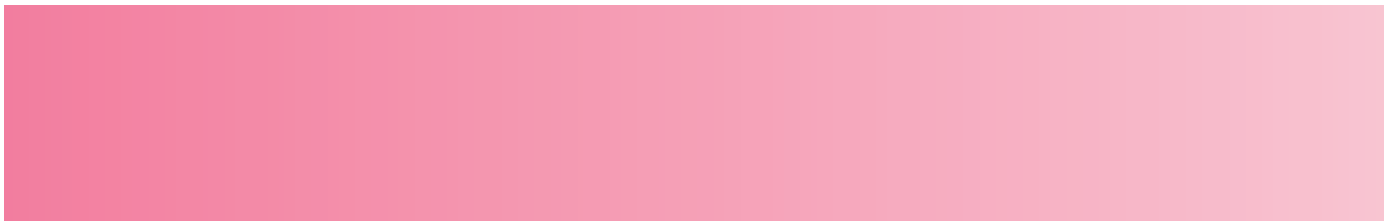
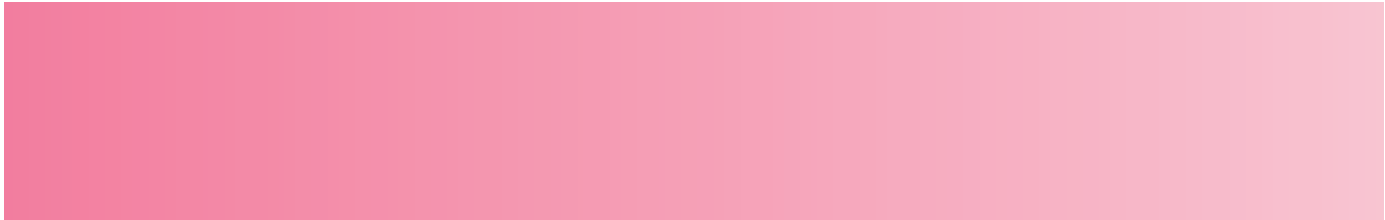
Length	Anodized Aluminum	Anodized Bronze
6'	D-1654	D-1669
8'	D-1659	D-1674
10'	D-1664	D-1679
12'	D-1743	D-1745

Part No.	Description	Page No.	Package Quantity	Standard Pack
E-2000	Cylinder Lock (5-Pin Tumbler)	5	1	6
E-2001	Lock Clip	7	1	6
E-2002	Locking Cylinder Adapter	7	1	6
E-2003	Cylinder Lock (5-Pin Tumbler)	6	1	6
E-2004	Lock Adapter	6	1	6
E-2005	Cylinder Lock (Wafer)	7	1	6
E-2006	Cylinder Lock (Wafer)	7	1	6
E-2008 (Steel - Vertical keyway)	Mortise Lock (Angled Body)	2	1	6
E-2009 (Steel - Vertical keyway)	Mortise Lock (Angled Body)	1	1	6
E-2010	Mortise Lock (Unique Body)	2	1	6
E-2011	Mortise Lock (Unique Body - 45° Keyway)	2	1	6
E-2012	Mortise Lock (Rectangular Body - Vertical Keyway)	1	1	6
E-2013 (Steel - Vertical keyway)	Mortise Lock (Rectangular Body)	1	1	6
E-2014 (Steel - 45° keyway)	Mortise Lock (Rectangular Body)	1	1	6
E-2015	Keeper	11	1	6
E-2016	Keeper	10	1	6
E-2017	Keeper	11	1	6
E-2018	Keeper	11	1	6
E-2019	Keeper	11	1	6
E-2020	Keeper	11	1	6
E-2021	Mortise Lock	2	1	6
E-2022	Mortise Lock	2	1	6
E-2023	Keeper	14	1	6
E-2024	Keeper	14	1	6
E-2025	Mortise Lock	3	1	6
E-2026	Mortise Lock	3	1	6
E-2027	Mortise Lock	4	1	6
E-2028	Keeper	11	1	6
E-2029	Internal Lock	3	1	6
E-2030	Internal Lock	3	1	6
E-2031	Latch Hook	14	2	6
E-2032	Latch Pin	15	2	6
E-2033	Latch Lever & Escutcheon Plate	8	1	6
E-2034	Latch Lever & Escutcheon Plate	8	1	6
E-2035 (1")	Latch Lever	8	1	6
E-2036	Latch Lever	9	1	6
E-2037 (Gray)	Latch Lever	8	1	6
E-2038	Latch Lever	8	1	6
E-2039	Latch Lever	9	1	6
E-2040 (3/4" Chrome)	Keeper	13	1	6
E-2041	Keeper	14	1	6
E-2042 (Aluminum)	Keeper	12	1	6
E-2043 (Black)	Keeper	12	1	6
E-2044 (Aluminum)	Keeper	12	1	6
E-2045 (Black)	Keeper	12	1	6
E-2046 (Aluminum)	Keeper	12	1	6
E-2047 (Black)	Keeper	12	1	6
E-2048 (Aluminum)	Keeper	12	1	6
E-2049 (Black)	Keeper	12	1	6
E-2050 (Aluminum)	Keeper	10	1	6
E-2051 (Black)	Keeper	10	1	6
E-2052 (Aluminum)	Keeper	11	1	6
E-2053 (Black)	Keeper	11	1	6
E-2054	Keeper	14	2	6
E-2055 (2" Aluminum)	Binder Posts & Fasteners	16	4	6
E-2056 (1" Aluminum)	Binder Posts & Fasteners	16	4	6
E-2057 (1-1/4" Aluminum)	Binder Posts & Fasteners	16	4	6
E-2058 (2" Black)	Binder Posts & Fasteners	16	4	6
E-2059 (1" Black)	Binder Posts & Fasteners	16	4	6
E-2060 (1-1/4" Black)	Binder Posts & Fasteners	16	4	6
E-2061 (Black)	Keeper	10	1	6
E-2062	Latch Lever	9	1	6
E-2063	Keeper	14	1	6
E-2064	Latch Hook	15	1	6
E-2065	Latch Lever	8	1	6
E-2066 (1-5/8")	Latch Lever	8	1	6
E-2067	Latch Lever	15	1	6
E-2068	Latch Yoke	15	1	6

Part No.	Description	Page No.	Package Quantity	Standard Pack
E-2069	Mortise Lock	4	1	6
E-2070 (Aluminum)	Keyed Locking Pull	6	1	6
E-2071 (Black)	Keyed Locking Pull	6	1	6
E-2072 (Aluminum)	Keyed Locking Pull	6	1	6
E-2073 (Black)	Keyed Locking Pull	6	1	6
E-2075 (Left)	Latch Hook	15	1	6
E-2076	Latch Hook	15	2	6
E-2077	Internal Lock	3	1	6
E-2078 (Black)	Keeper	10	1	6
E-2079	Mortise Lock & Keeper	3	1	6
E-2080	Mortise Lock	3	1	6
E-2081 (Right)	Latch Hook	15	1	6
E-2082 (3/4" Chrome)	Keeper	13	1	6
E-2083	Keeper	13	1	6
E-2084	Keeper	13	1	6
E-2085	Keeper	11	2	6
E-2086	Keeper	12	2	6
E-2087	Cylinder Lock (Wafer)	7	1	6
E-2088	Cylinder Lock (Wafer)	7	1	6
E-2089	Keeper	13	1	6
E-2090	Cylinder Lock (Wafer)	7	1	6
E-2092	Latch Repair Kit	15	1	6
E-2093	Keeper	13	1	6
E-2094 (Zinc)	Keeper	12	1	6
E-2095 (3/4")	Latch Lever	8	1	6
E-2096	Keeper	13	1	6
E-2097	Keeper	11	1	6
E-2098	Keeper	13	1	6
E-2099 (3/4" Black)	Keeper	13	1	6
E-2100 (Stainless steel)	Mortise Lock (Unique Body - Vertical Keyway)	2	1	6
E-2101	Trim Plate	2	1	6
E-2102	Handle Brackets	16	2	6
E-2103	Cylinder Lock (5-Pin Tumbler)	5	1	6
E-2104 (Keyed Alike)	Cylinder Lock (5-Pin Tumbler)	5	1	6
E-2105	Internal Lock	3	1	6
E-2106	Latch Hook	15	1	6
E-2107 (Keyed Alike)	Cylinder Lock (5-Pin Tumbler)	5	1	6
E-2108	Hook Set	14	4	6
E-2109	Keeper	14	1	6
E-2110	Cylinder Lock (Wafer)	7	1	6
E-2111 (Steel - 45° keyway)	Mortise Lock (Angled Body)	2	1	6
E-2112 (1-1/2")	Latch Lever	8	1	6
E-2113 (2")	Latch Lever	8	1	6
E-2114	Mortise Lock	4	1	6
E-2115	Cylinder Lock (5-Pin Tumbler)	6	1	6
E-2116	Shim Plate	16	2	6
E-2117 (1-1/4")	Latch Lever	8	1	6
E-2118 (Steel)	Mortise Lock (Angled Body - 45° Keyway)	2	1	6
E-2119 (Steel)	Mortise Lock (Angled Body - 45° Keyway)	2	1	6
E-2120	Keeper	12	1	6
E-2121 (Steel - 45° keyway)	Mortise Lock (Angled Body)	1	1	6
E-2122 (9/16")	Keeper	14	1	6
E-2123 (White)	Keeper	12	1	6
E-2124	Keeper	10	1	6
E-2125	Keeper	9	1	6
E-2126	Mortise Lock & Keeper	3	1	6
E-2127	Slide Latch Assembly	16	1	6
E-2128	Mortise Lock	3	1	6
E-2131	Keeper	12	1	6
E-2132 (Aluminum)	Panel Clip	15	4	6
E-2133 (Bronze)	Panel Clip	15	4	6
E-2134	Keeper	9	1	6
E-2136	Keeper	11	1	6
E-2137	Keeper	13	1	6
E-2138	Keeper	9	1	6
E-2139 (1")	Latch Lever	8	1	6
E-2142 (Extruded aluminum)	Keeper	12	1	6
E-2143 (Extruded aluminum - Bronze finish)	Keeper	12	1	6

Part No.	Description	Page No.	Package Quantity	Standard Pack
E-2144	Keyed Locking Unit	6	1	6
E-2145 (White)	Keyed Locking Unit	6	1	6
E-2146 (Brass plated)	Keyed Locking Unit	6	1	6
E-2147	Thumbturn & Escutcheon Plate	9	1	6
E-2148 (Stainless steel)	Mortise Lock (Angled Body - 45° Keyway)	2	1	6
E-2149	Keeper	12	1	6
E-2150 (White)	Keeper	10	1	6
E-2151	Cylinder Lock (Wafer)	7	1	6
E-2152 (2-1/4" Aluminum)	Binder Posts & Fasteners	16	4	6
E-2153 (2-1/4" Black)	Binder Posts & Fasteners	16	4	6
E-2155 (1-1/2" Aluminum)	Binder Posts & Fasteners	16	4	6
E-2156 (1-1/2" Black)	Binder Posts & Fasteners	16	4	6
E-2160 (White)	Keeper	10	1	6
E-2161 (Black)	Latch Lever	7	1	6
E-2162 (White)	Latch Lever	7	1	6
E-2163 (Almond)	Latch Lever	7	1	6
E-2164	Mortise Lock (Rectangular Body - 45° Keyway)	1	1	6
E-2165	Keeper	14	1	6
E-2166	Keeper	10	1	6
E-2168	Latch Hook	15	1	6
E-2169 (White)	Keeper	12	1	6
E-2170 (3/4" - Brass)	Latch Lever	7	1	6
E-2171 (Steel)	Mortise Lock (Unique Body - Vertical Keyway)	2	1	6
E-2172	Keeper	13	1	6
E-2176	Thumbturn & Escutcheon Plate	9	1	6
E-2177	Thumbturn & Escutcheon Plate	9	1	6
E-2181 (Black)	Shim Plate	16	1	6
E-2182 (White)	Shim Plate	16	1	6
E-2184 (Stainless steel - Vertical keyway)	Mortise Lock (Angled Body)	2	1	6
E-2185 (Stainless steel - Vertical keyway)	Mortise Lock (Angled Body)	1	1	6
E-2186 (Stainless steel)	Mortise Lock (Angled Body - 45° Keyway)	2	1	6
E-2187 (Stainless steel - 45° keyway)	Mortise Lock (Angled Body)	1	1	6
E-2189	Mortise Lock (Rectangular Body - 45° Keyway)	1	1	6
E-2190	Keeper	10	1	6
E-2191 (Black)	Latch Lever	8	1	6
E-2192	Mortise Lock (Multi-point)	4	1	6
E-2194 (Bronze)	Keyed Locking Unit	6	1	6
E-2195 (Satin nickel)	Keyed Locking Unit	6	1	6
E-2197 (7/8")	Keeper	14	1	6
E-2198	Cylinder Lock (5-Pin Tumbler)	5	1	6
E-2199 (Stainless steel - 45° keyway)	Mortise Lock (Rectangular Body)	1	1	6
E-2468	Mortise Lock (Rectangular Body - 45° Keyway)	1	1	6
E-2469	Mortise Lock (Rectangular Body - Vertical Keyway)	1	1	6
E-2470	Mortise Lock (Rectangular Body - Vertical Keyway)	1	1	6
E-2471	Keeper	9	1	6
E-2472	Keeper	10	1	6
E-2473	Mortise Lock (Multi-point)	4	1	6
E-2474	Mortise Lock (Multi-point)	5	1	6
E-2475	Mortise Lock (Multi-point)	4	1	6
E-2476 (Black)	Latch Lever	7	1	6
E-2477 (White)	Latch Lever	7	1	6
E-2485	Mortise Lock (Angled Body - 45° Keyway)	2	1	6
E-2487	Mortise Lock (Rectangular Body - 45° Keyway)	1	1	6
E-2488 (Right Hand)	Mortise Lock (3-point French Door)	5	1	6
E-2489 (Stainless steel - Vertical keyway)	Mortise Lock (Rectangular Body)	1	1	6
E-2523	Latch Lever	8	1	6
E-2533	Cylinder Lock (5-Pin Tumbler)	5	1	6
E-2534	Cylinder Lock (5-Pin Tumbler)	5	1	6
E-2545	Keeper	13	1	6
E-2563	Keeper	10	1	6
E-2565	Mortise Lock (Rectangular Body - 45° Keyway)	1	1	6
E-2566 (Bronze)	Keeper	12	1	6
E-2567 (White)	Keeper	12	1	6
E-2569	Latch Lever	8	1	6
E-2571	Mortise Lock (Multi-point)	4	1	6
E-2572	Keeper	10	1	6
E-2575 (Steel - 22.5° keyway)	Mortise Lock (Angled Body)	1	1	6
E-2576 (1-1/8" - White)	Latch Lever	7	1	6

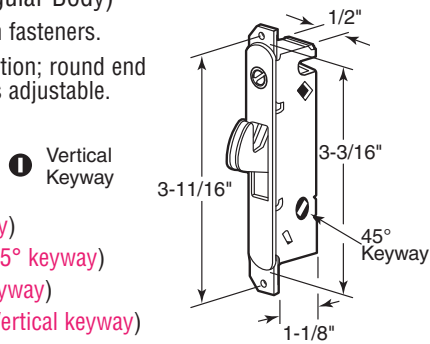
Part No.	Description	Page No.	Package Quantity	Standard Pack
E-2577	Mortise Lock (Multi-point)	5	1	6
E-2693 (Left Hand)	Mortise Lock (3-point French Door)	5	1	6
K-5061 (Kwikset)	Cylinder Lock (5-Pin Tumbler)	6	1	6
K-5062 (Kwikset)	Cylinder Lock (5-Pin Tumbler)	6	1	6
K-5105 (Schlage)	Cylinder Lock (5-Pin Tumbler)	6	1	6
K-5106 (Schlage)	Cylinder Lock (5-Pin Tumbler)	6	1	6
K-5339	Cylinder Lock (5-Pin Tumbler)	6	1	6



Mortise Lock (Rectangular Body)

Contents: 1 lock; installation fasteners.

Description: Mortise installation; round end face plate; hook projection is adjustable.



E-2014 (Steel - 45° keyway)

E-2199 (Stainless steel - 45° keyway)

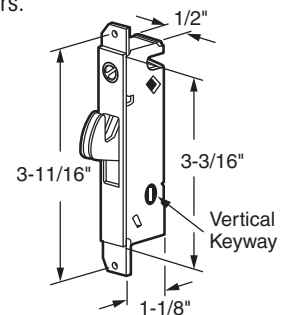
E-2013 (Steel - Vertical keyway)

E-2489 (Stainless steel - Vertical keyway)

Mortise Lock (Rectangular Body - Vertical Keyway)

Contents: 1 lock; installation fasteners.

Description: Mortise installation; steel housing and hook; square end face plate; keyway is in vertical position with hook fully extended; hook projection is adjustable.

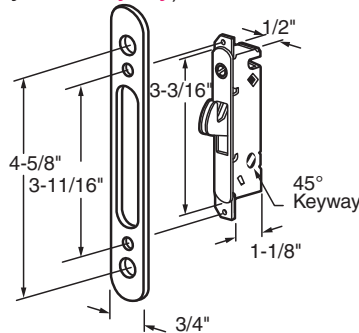


E-2012

Mortise Lock (Rectangular Body - 45° Keyway)

Contents: 1 lock; 1 face plate; installation fasteners.

Description: Mortise installation; steel housing and hook; round end face plate; keyway is in the 45° position with hook fully extended; hook projection is adjustable; for use on wood and vinyl doors.

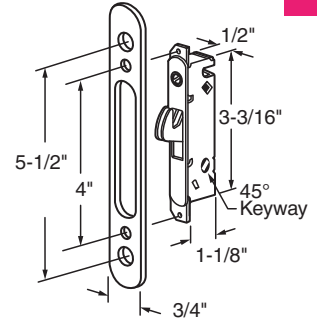


E-2164

Mortise Lock (Rectangular Body - 45° Keyway)

Contents: 1 lock; 1 face plate; installation fasteners.

Description: Mortise installation; steel housing and hook; round end face plate; keyway is in the 45° position with hook fully extended; hook projection is adjustable.

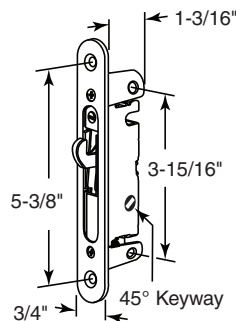


E-2565

Mortise Lock (Rectangular Body - 45° Keyway)

Contents: 1 lock; installation fasteners.

Description: Mortise installation; diecast face housing; steel lock housing and hook; round end face plate; keyway is in the 45° position with hook fully extended; hook projection is adjustable; for use on wood and vinyl doors.

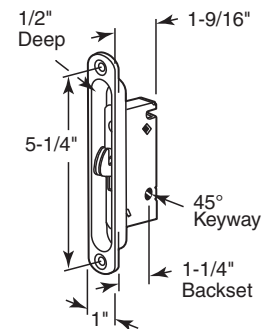


E-2468

Mortise Lock (Rectangular Body - 45° Keyway)

Contents: 1 lock; installation fasteners.

Description: Mortise installation; diecast face housing; steel lock housing and hook; round end face plate; keyway is in the 45° position with hook fully extended; hook projection is adjustable; for use on wood and vinyl doors; uses E-2125 keeper.

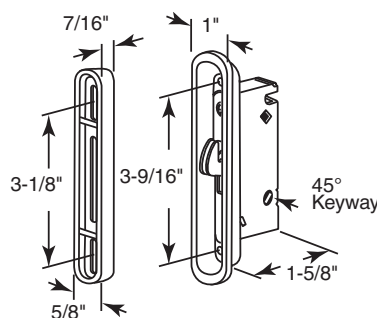


E-2189

Mortise Lock (Rectangular Body - 45° Keyway)

Contents: 1 lock; 1 face plate; installation fasteners.

Description: Mortise installation; diecast face housing; steel lock housing and hook; round end face plate; keyway is in the 45° position with hook fully extended; hook projection is adjustable; for use on wood and vinyl doors.

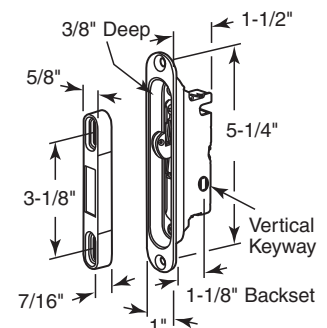


E-2487

Mortise Lock (Rectangular Body - Vertical Keyway)

Contents: 1 lock; installation fasteners.

Description: Mortise installation; diecast face housing and keeper; steel lock housing and hook; round end face plate; keyway is in the vertical position with hook fully extended; hook projection is adjustable; for use on wood and vinyl doors.

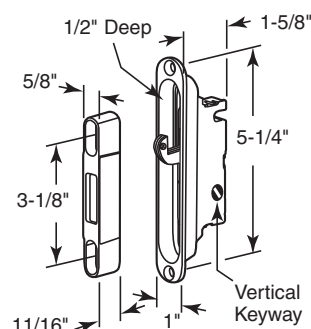


E-2469

Mortise Lock (Rectangular Body - Vertical Keyway)

Contents: 1 lock; installation fasteners.

Description: Mortise installation; diecast face housing and keeper; steel lock housing and hook; round end face plate; keyway is in the vertical position with hook fully extended; hook projection is adjustable; for use on wood and vinyl doors.



E-2470

Mortise Lock (Angled Body)

Contents: 1 lock; installation fasteners.

Description: Mortise installation; round end face plate; hook projection is adjustable.

● Vertical Keyway ● 22.5° Keyway

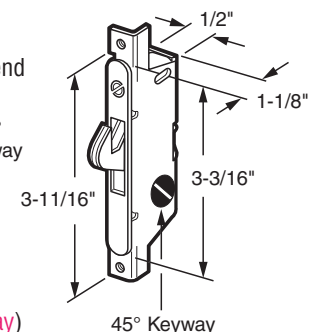
E-2575 (Steel - 22.5° keyway)

E-2121 (Steel - 45° keyway)

E-2187 (Stainless steel - 45° keyway)

E-2009 (Steel - Vertical keyway)

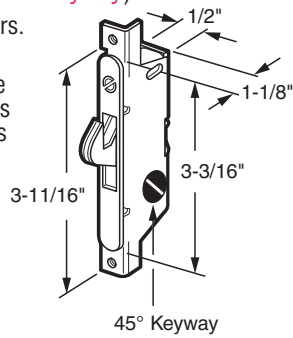
E-2185 (Stainless steel - Vertical keyway)



Mortise Lock (Angled Body - 45° Keyway)

Contents: 1 lock; installation fasteners.

Description: Mortise installation; hook is spring loaded with adjustable hook projection; automatically latches door; round end face plate; keyway is in the 45° position with hook fully extended.



Automatically Latches Door

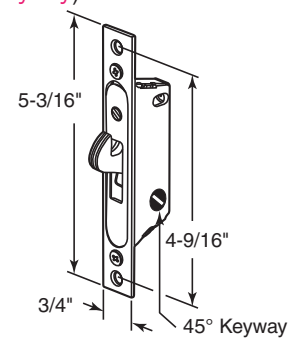
E-2119 (Steel)

E-2148 (Stainless steel)

Mortise Lock (Angled Body - 45° Keyway)

Contents: 1 lock; installation fasteners.

Description: Mortise installation; steel housing and hook with adjustable hook projection; square end face plate; keyway is in the 45° position with hook fully extended; fits *Pella*® doors.



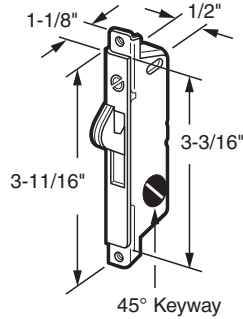
E-2485

Mortise Lock (Angled Body)

Contents: 1 lock; installation fasteners.

Description: Mortise installation; square end face plate; hook projection is adjustable.

Vertical Keyway



E-2111 (Steel - 45° keyway)

E-2008 (Steel - Vertical keyway)

E-2184 (Stainless steel - Vertical keyway)

Mortise Lock (Angled Body - 45° Keyway)

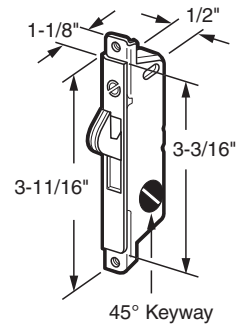
Contents: 1 lock; installation fasteners.

Description: Mortise installation; hook is spring loaded with adjustable hook projection; automatically latches door; square end face plate; keyway is in the 45° position with hook fully extended.

Automatically Latches Door

E-2118 (Steel)

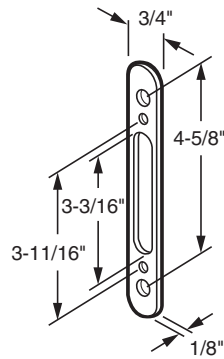
E-2186 (Stainless steel)



Trim Plate

Contents: 1 trim plate; installation fasteners.

Description: Zinc plated steel trim plate for adapting E-2009 and E-2013 style mortise locks to wood door stiles.

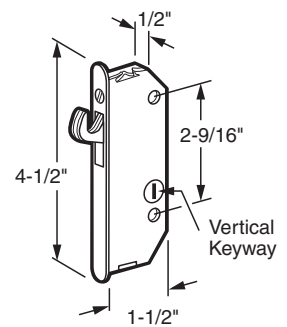


E-2101

Mortise Lock (Unique Body - Vertical Keyway)

Contents: 1 lock; installation fasteners.

Description: Adjustable bolt throw; will withstand approx. 1000 pound force; resists pry bar attacks.



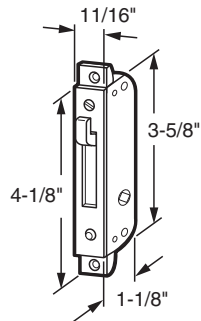
E-2171 (Steel)

E-2100 (Stainless steel)

Mortise Lock (Unique Body)

Contents: 1 lock; installation fasteners.

Description: Diecast lock housing; diecast hook and safety release button; fits on *Parlyn*® 900 series

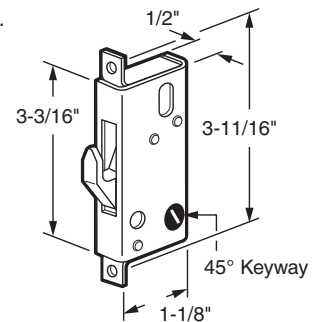


E-2010

Mortise Lock (Unique Body - 45° Keyway)

Contents: 1 lock; installation fasteners.

Description: Mortise installation; steel housing and diecast hook; square end face plate; fits on *Arcadia*® & *Saurenman*®.

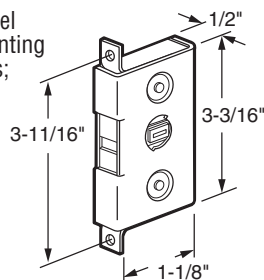


E-2011

Mortise Lock

Contents: 1 lock; installation fasteners.

Description: Mortise installation; steel housing; square end face plate; mounting flanges have no. 6-32 threaded holes; fits on *W & F*®.



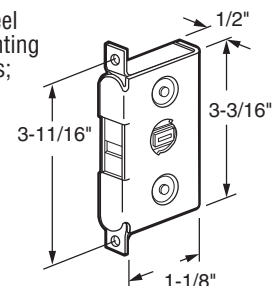
Call For Availability

E-2021

Mortise Lock

Contents: 1 lock; installation fasteners.

Description: Mortise installation; steel housing; round end face plate; mounting flanges have no. 6-32 threaded holes; fits on *W & F*®.



Call For Availability

E-2022

Mortise Lock

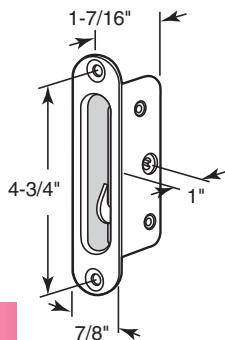
Contents: 1 lock; installation fasteners.

Description: Diecast construction; mortise lock for wood doors; used exclusively in Canada.

Call For Availability



Used primarily in Canada

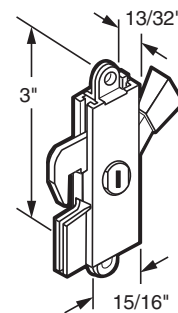


E-2128

Internal Lock

Contents: 1 lock.

Description: Stamped aluminum housing with steel hook and latch lever; black plastic latch lever tip.



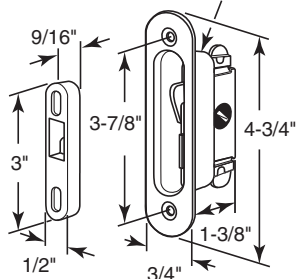
E-2105

Mortise Lock & Keeper

Contents: 1 lock and keeper assembly with complete set of fasteners.

Description: Wood or aluminum door application; integration of keeper and lock for positive anti-lift protection; plated steel hook is mounted in an anti-friction pivot, encased in aluminum housing; fits on **Pennco**® and other manufacturers; overall depth is 1-3/16".

Fits 5/8" x 3-3/8" cut out



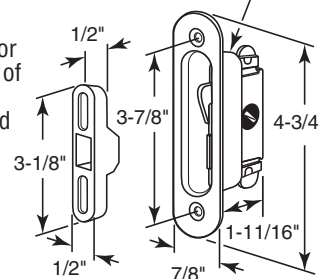
E-2079

Mortise Lock & Keeper

Contents: 1 lock and keeper assembly with complete set of fasteners.

Description: Excellent for either wood or aluminum door application; integration of keeper and lock for positive anti-lift protection; plated steel hook is mounted in an anti-friction pivot, encased in aluminum housing; fits on **Traco**® and other manufacturers; overall depth is 1-3/4".

Fits 3/4" x 3-7/8" cut out

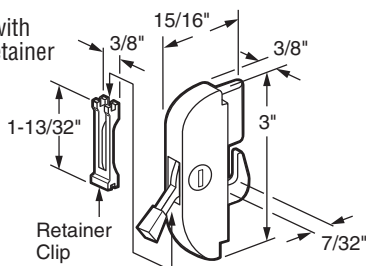


E-2126

Internal Lock

Contents: 1 lock; 1 retainer clip.

Description: Diecast lock housing with steel hook and latch lever; plastic retainer clip; repair part for C-1000 style handles.

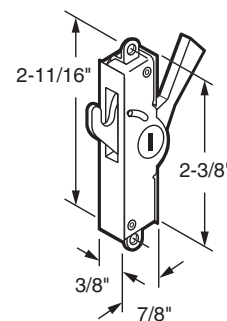


E-2077

Internal Lock

Contents: 1 lock; installation fasteners.

Description: Internal lock for surface mounted patio door handle, with steel housing and hook; black plastic latch lever.



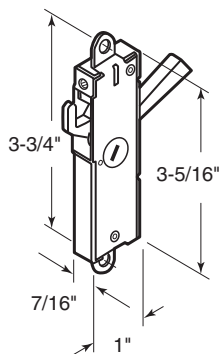
E-2029

Internal Lock

Contents: 1 lock; installation fasteners.

Description: Internal lock for surface mounted patio door handle set; steel housing and hook; black plastic latch lever; with adjustable hook projection; fits on **Northrop Architectural**® and other manufacturers.

Call For Availability

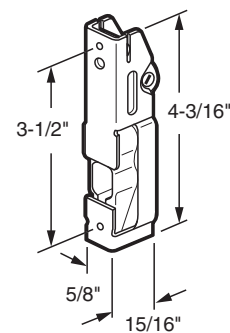


E-2030

Mortise Lock

Contents: 1 lock; installation fasteners.

Description: Steel lock and housing with stainless steel spring; mortise installation; fits on **Northrop**®.

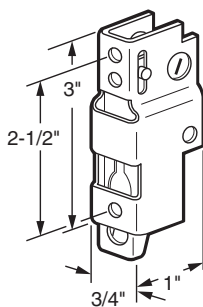


E-2025

Mortise Lock

Contents: 1 lock; installation fasteners.

Description: Steel lock and housing; mortise installation; fits on **Northrop**®.

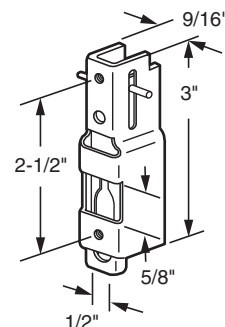


E-2026

Mortise Lock

Contents: 1 lock; installation fasteners.

Description: Steel lock and housing; mortise installation; fits on **Guaranteed Products**®.

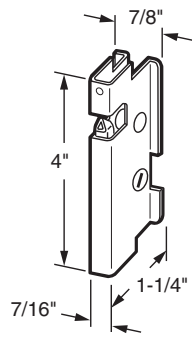


E-2080

Mortise Lock

Contents: 1 lock; installation fasteners.

Description: Steel housing; mortise installation; fits on *Daryl Industries*®.

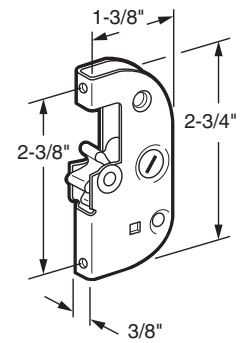


E-2027

Mortise Lock

Contents: 1 lock; installation fasteners.

Description: Cog type lock assembly for old style *Arcadia*® doors; diecast cog and steel housing.

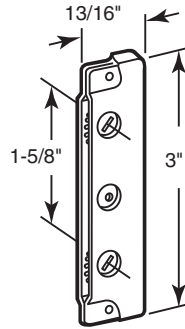


E-2069

Mortise Lock

Contents: 1 lock; installation fasteners.

Description: Steel housing; mortise installation; non handed; fits on *Daryl Industries*®.

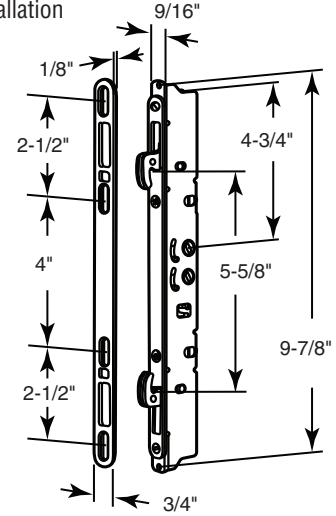


E-2114

Mortise Lock (2-point)

Contents: 1 lock; 1 keeper; installation fasteners.

Description: Multi-point lock used on vinyl and wood patio doors; yellow zinc plated; single lever activated; all steel construction.

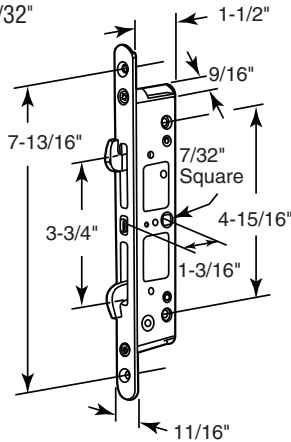


E-2473

Mortise Lock (2-point)

Contents: 1 lock; installation fasteners.

Description: Multi point lock used on vinyl and wood patio doors; uses 7/32" square drive, E-2569; chrome face.

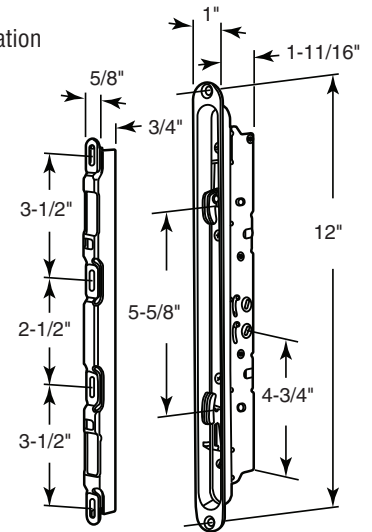


E-2192

Mortise Lock (2-point)

Contents: 1 lock; 1 keeper; installation fasteners.

Description: Multi-point lock used on vinyl and wood patio doors; yellow zinc plated; single lever activated; diecast face housing, steel keeper.

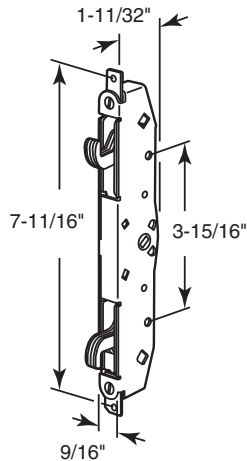


E-2475

Mortise Lock (2-point)

Contents: 1 lock; installation fasteners.

Description: Multi point lock used on vinyl and wood patio doors; uses 7/32" square drive.

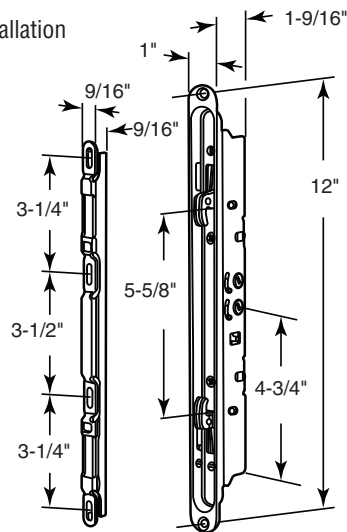


E-2571

Mortise Lock (2-point)

Contents: 1 lock; 1 keeper; installation fasteners.

Description: Multi-point lock used on vinyl and wood patio doors; yellow zinc plated; single lever activated; all steel construction.

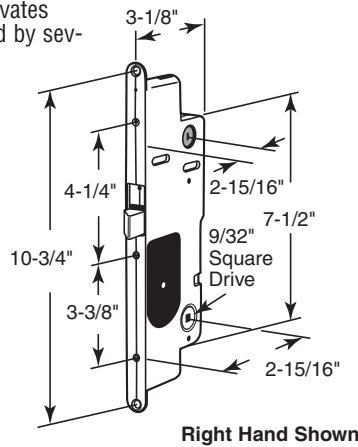


E-2474

Mortise Lock (3-point French Door)

Contents: 1 lock; installation fasteners.

Description: 3-point mortise lock has diecast case; steel bolt; housing activates threshold and header bolt rods; used by several french door manufacturers.

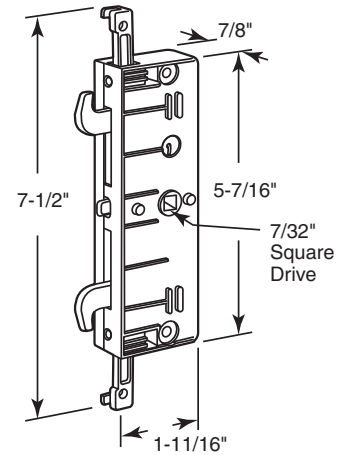


E-2488 (Right Hand)
E-2693 (Left Hand)

Mortise Lock (4-point)

Contents: 1 lock; installation fasteners.

Description: Multi point lock used on vinyl doors; uses 7/32" square drive, E-2569.

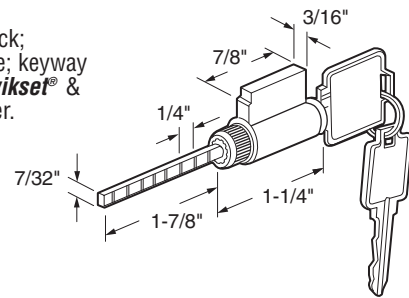


E-2577

Cylinder Lock (5-Pin Tumbler)

Contents: 1 lock; 2 keys.

Description: 5 pin tumbler lock; hardened break-away tailpiece; keyway is compatible to **Weiser**, **Kwikset** & **Weslock**; solid brass cylinder.

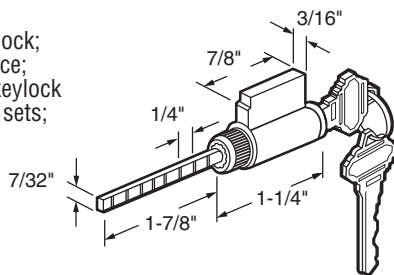


E-2000
E-2107 (Keyed Alike)

Cylinder Lock (5-Pin Tumbler)

Contents: 1 lock; 2 keys.

Description: 5 pin tumbler lock; hardened break-away tailpiece; **Schlage** keyway; used to keylock most surface mount handle sets; solid brass cylinder.

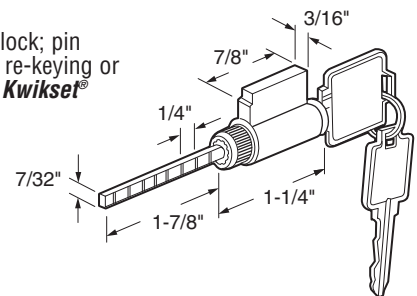


E-2103
E-2104 (Keyed Alike)

Cylinder Lock (5-Pin Tumbler)

Contents: 1 lock; 2 keys.

Description: 5 pin tumbler lock; pin match to U.S. standard; for re-keying or master keying; solid brass; **Kwikset** keyway.

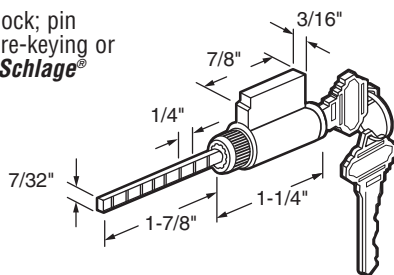


E-2533

Cylinder Lock (5-Pin Tumbler)

Contents: 1 lock; 2 keys.

Description: 5 pin tumbler lock; pin match to U.S. standard; for re-keying or master keying; solid brass; **Schlage** keyway.

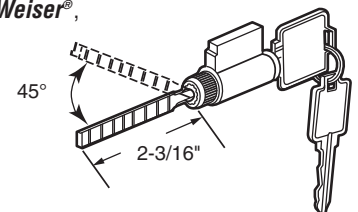


E-2534

Cylinder Lock (5-Pin Tumbler)

Contents: 1 lock; 2 keys.

Description: 5 pin tumbler lock; hardened break-away tailpiece angles 45°; keyway is compatible to **Weiser**, **Kwikset** & **Weslock**; solid brass cylinder.

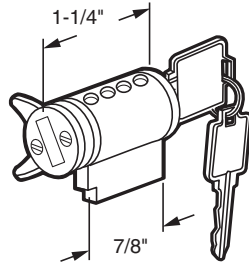


E-2198

Cylinder Lock (5-Pin Tumbler)

Contents: 1 lock; 2 keys.

Description: 5 pin tumbler lock with diecast latch activator; used to keylock C-1025 handle; keyway is compatible to **Weiser**[®], **Kwikset**[®] & **Weslock**[®]; solid brass cylinder.

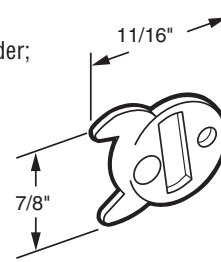


E-2003

Lock Adapter

Contents: 1 adapter.

Description: Diecast adapter; used as lock activator on E-2003 locking cylinder; for keylocking C-1025 handles.

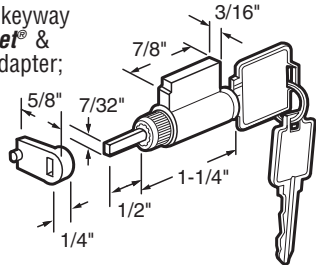


E-2004

Cylinder Lock (5-Pin Tumbler)

Contents: 1 lock with 2 keys; 1 lock activator.

Description: 5 pin tumbler lock; keyway is compatible to **Weiser**[®], **Kwikset**[®] & **Weslock**[®]; special diecast cam adapter; used by various manufacturers; solid brass cylinder.

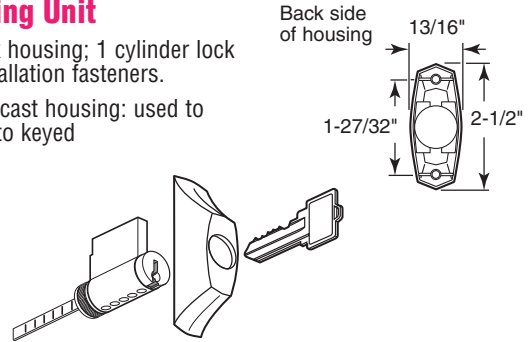


E-2115

Keyed Locking Unit

Contents: 1 lock housing; 1 cylinder lock with 2 keys; installation fasteners.

Description: Diecast housing; used to convert C-1280 to keyed locking handle.

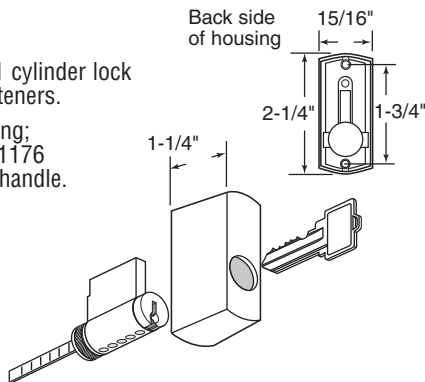


E-2144

Keyed Locking Unit

Contents: 1 lock housing; 1 cylinder lock with 2 keys; installation fasteners.

Description: Die cast housing; used to convert C-1174, C-1176 & C-1178 to keyed locking handle.

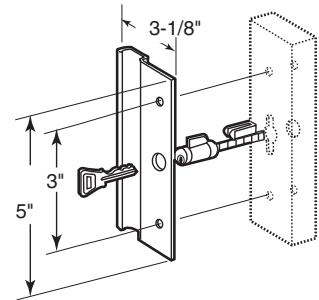


- E-2145** (White)
- E-2194** (Bronze)
- E-2195** (Satin nickel)
- E-2146** (Brass plated)

Keyed Locking Pull

Contents: 1 outside pull; 1 locking cylinder; 1 cylinder clip.

Description: Extruded aluminum flush outside pull with keyed locking unit; locking unit tailpiece with break-off points; used by many manufacturers for 3" hole center installations.

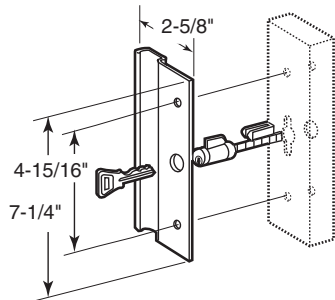


- E-2072** (Aluminum)
- E-2073** (Black)

Keyed Locking Pull

Contents: 1 outside pull; 1 locking cylinder; 1 cylinder clip.

Description: Extruded aluminum flush outside pull with keyed locking unit; locking unit tailpiece with break-off points; used by many manufacturers for 4-15/16" hole center installations.

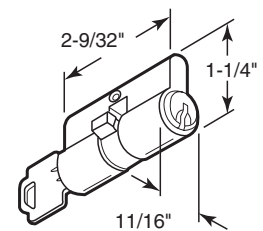


- E-2070** (Aluminum)
- E-2071** (Black)

Cylinder Lock (5-Pin Tumbler)

Contents: 1 cylinder; 2 keys.

Description: Double keyed, solid brass, 5 pin tumbler; used with security screen door mortise locking devices; adjusts to most door thicknesses; for interior and exterior key locking.

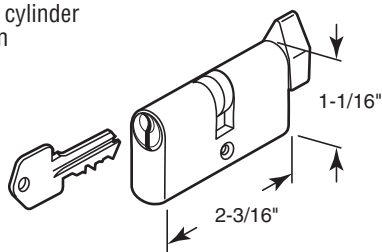


- K-5106** (Schlage)
- K-5061** (Kwikset)

Cylinder Lock (5-Pin Tumbler)

Contents: 1 lock; 2 keys.

Description: Solid brass single cylinder key lock, 5 pin tumbler; used on security door locks.

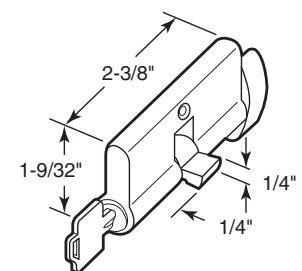


K-5339

Cylinder Lock (5-Pin Tumbler)

Contents: 1 cylinder; 2 keys.

Description: Solid brass 5 pin tumbler; used with security screen door mortise locking devices; adjusts to most door thicknesses.

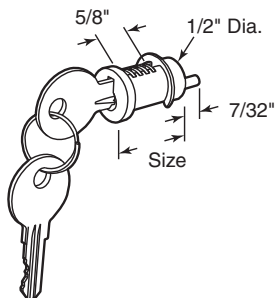


- K-5105** (Schlage)
- K-5062** (Kwikset)

Cylinder Lock (Wafer)

Contents: 1 cylinder; 2 keys.

Description: Wafer type; diecast housing; used to keylock most flush mount handle sets.



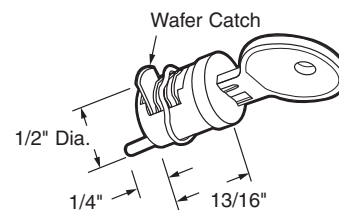
E-2087 (7/8" - For 1-1/8" to 1-1/4" thick doors)

E-2088 (1-1/4" - For 1-1/2" thick doors)

Cylinder Lock (Wafer)

Contents: 1 cylinder; 2 keys.

Description: Wafer type; diecast housing; used to keylock most flush mount handle sets; for 1" thick doors.

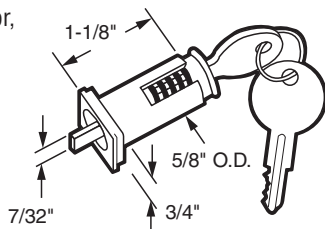


E-2005

Cylinder Lock (Wafer)

Contents: 1 cylinder; 1 plastic housing; 2 keys.

Description: Wafer type; flat activator, 1/2" long; fits on *Wright Products*®.

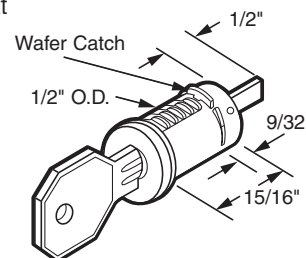


E-2006

Cylinder Lock (Wafer)

Contents: 1 cylinder; 2 keys.

Description: Key locking unit with flat activator, 1/2" long; diecast construction; wafer type; fits on *Wright Products*®.



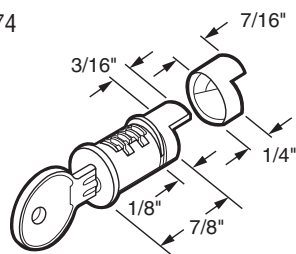
E-2090

Cylinder Lock (Wafer)

Contents: 1 cylinder; 2 keys.

Description: Key lock used on C-1074 handle; includes plastic activator tip.

Call For Availability



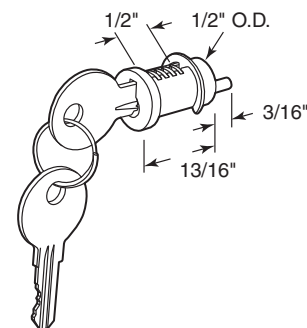
E-2110

Cylinder Lock (Wafer)

Contents: 1 cylinder; 1 plastic housing; 2 keys.

Description: Key locking unit with diamond tailpiece; fits on K-5053 storm door handles.

Call For Availability

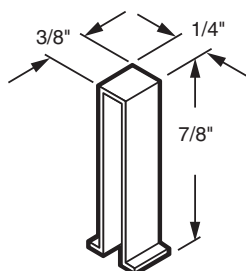


E-2151

Lock Clip

Contents: 1 clip.

Description: Lock retainer clip; spring steel; holds cylinder in place on many doors having a keyhole slot punched on the rail.

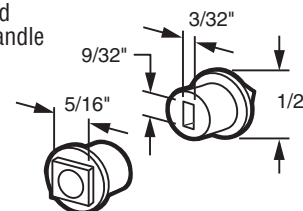


E-2001

Locking Cylinder Adapter

Contents: 1 adapter.

Description: Diecast adapter; provides connection between cylinder lock and latch assembly; used with C-1023 handle set.

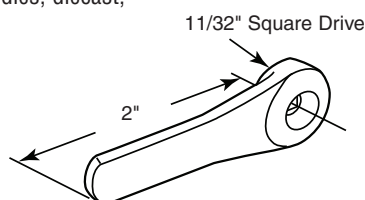


E-2002

Latch Lever

Contents: 1 lever.

Description: Patio door latch lever used on C-1005 clamp style handles; diecast, painted finish.



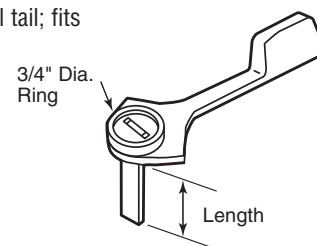
E-2476 (Black)

E-2477 (White)

Latch Lever

Contents: 1 lever.

Description: Diecast lever; steel tail; fits C-1131 style handles.



E-2161 (3/4" - Black)

E-2162 (3/4" - White)

E-2163 (3/4" - Almond)

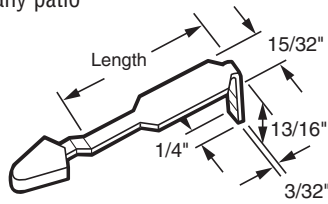
E-2170 (3/4" - Brass plated)

E-2576 (1-1/8" - White)

Latch Lever

Contents: 1 lever.

Description: Stamped steel lever with black plastic tip; used by many patio door manufacturers.

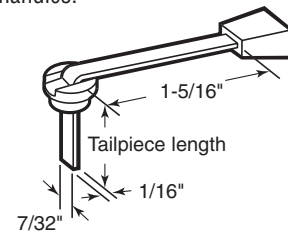


E-2066 (1-5/8")
E-2113 (2")

Latch Lever

Contents: 1 lever with plastic bushing.

Description: Steel latch lever with plastic thumb button; fits C-1058 style handles.

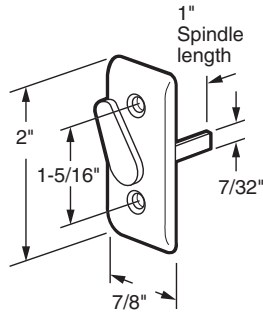


E-2095 (3/4")
E-2139 (1")
E-2117 (1-1/4")

Latch Lever & Escutcheon Plate

Contents: 1 lever; 1 plate, installation fasteners.

Description: Diecast lever with steel pin and aluminum plate; repair part for sliding patio door handles; fits on *Hollyview*® and other manufacturers; repair part for C-1039; gray finish.

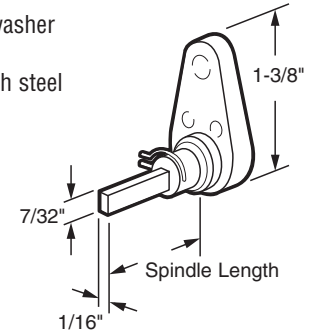


E-2034

Latch Lever

Contents: 1 lever, washer, spring washer and pin.

Description: Diecast latch lever with steel pin; fits on *Fleetwood*® and other manufacturers; gray finish.

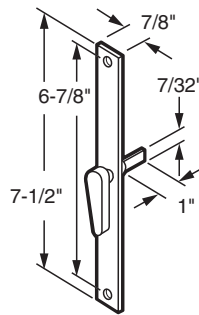


E-2035 (1")
E-2112 (1-1/2")

Latch Lever & Escutcheon Plate

Contents: 1 thumbturn and plate.

Description: Universal design; aluminum adapter plate with thumbturn; steel activator.

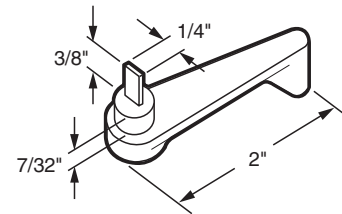


E-2033

Latch Lever

Contents: 1 lever.

Description: Plastic with steel pin; fits on *Arcadia*® and other manufacturers.

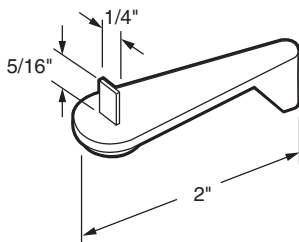


E-2037 (Gray)
E-2191 (Black)

Latch Lever

Contents: 1 lever.

Description: Black plastic with steel pin; fits on *Marshall*® and others.



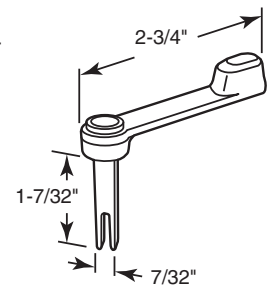
Call For Availability

E-2038

Latch Lever

Contents: 1 lever.

Description: Diecast lever; white powder coated finish; fits *Roto*® style hardware; square drive.

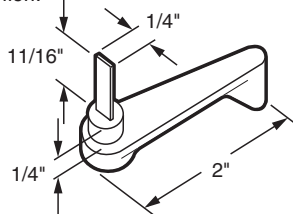


E-2569

Latch Lever

Contents: 1 lever.

Description: Plastic with steel pin; used by several manufacturers; gray finish.

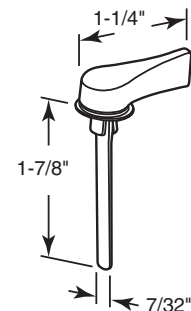


E-2065

Latch Lever

Contents: 1 lever assembly.

Description: Diecast thumb lever; steel activator with "V" shape; nylon washer and push nut; gray finish.

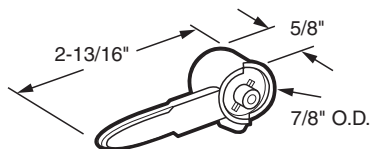


E-2523

Latch Lever

Contents: 1 lever; 1 rivet.

Description: Plastic lever; fits on *International*[®] handle sets C-1022, C-1055, C-1072, C-1073; black finish.

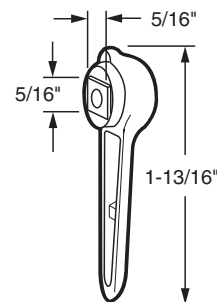


E-2039

Latch Lever

Contents: 1 lever; 1 machine screw.

Description: Diecast lever; repair part for *Fullview*[®] handle set C-1023; zinc plated.

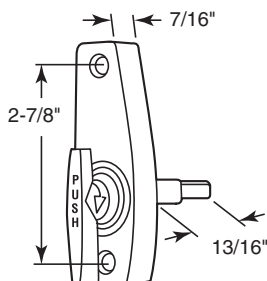


E-2062

Thumbturn & Escutcheon Plate

Contents: 1 thumbturn & plate; installation fasteners.

Description: Patio door latch lever used on *Andersen*[®] doors; diecast housing; painted finish; lever pushes in to rotate.



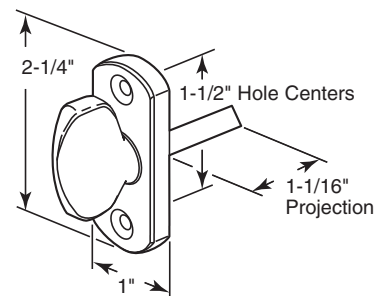
E-2176

Thumbturn & Escutcheon Plate

Contents: 1 thumbturn & plate; installation fasteners.

Description: White diecast thumbturn and plate, tail piece is 1-1/16" long and turned 45° from thumbturn.

Call For Availability

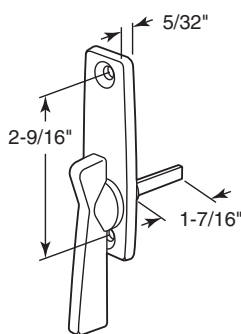


E-2147

Thumbturn & Escutcheon Plate

Contents: 1 thumbturn & plate; installation fasteners.

Description: Patio door latch lever used on *Andersen*[®] doors; diecast housing; painted finish.



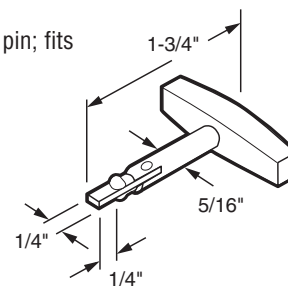
E-2177

Latch Lever

Contents: 1 lever.

Description: Diecast with steel pin; fits on *Arcadia*[®].

Call For Availability

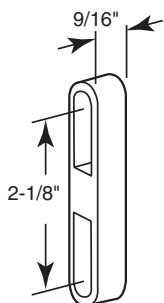


E-2036

Keeper

Contents: 1 keeper; installation screws.

Description: Zinc plated diecast adjustable keeper for mortise lock E-2079.

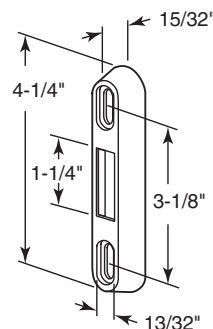


E-2134

Keeper

Contents: 1 keeper; installation screws.

Description: Diecast keeper; works with most mortise locks; surface mount; zinc plated finish.

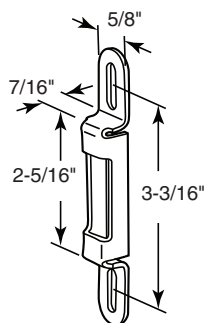


E-2125

Keeper

Contents: 1 keeper; installation screws.

Description: Steel keeper; yellow zinc plated; fits most mortise style locks; for vinyl doors; surface mounted.

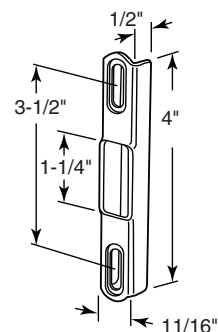


E-2471

Keeper

Contents: 1 keeper; installation screws.

Description: Steel keeper; yellow zinc plated; fits most mortise style locks; for vinyl doors; surface mounted.

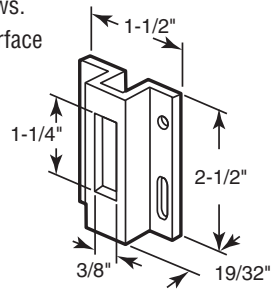


E-2138

Keeper

Contents: 1 keeper; installation screws.

Description: Extruded aluminum; surface mount; for hook style latch; fits on *Viking*[®]; white painted finish.

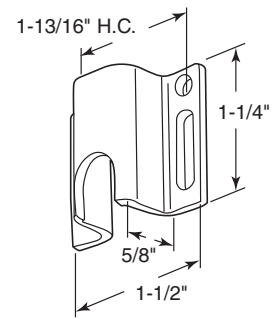


E-2124

Keeper

Contents: 1 keeper; installation screws.

Description: Stainless steel keeper; fits on most mortise style doors; surface mounted.



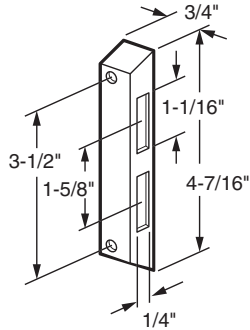
E-2472

Keeper

Contents: 1 keeper; installation screws.

Description: Side mount; plastic keeper with metal insert; special fastener package to attach keeper to jamb; for C-1000 hook style handles.

Call For Availability

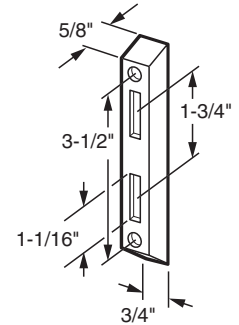


E-2061 (Black)
E-2150 (White)

Keeper

Contents: 1 keeper; installation screws.

Description: Face mount; plastic keeper with metal insert; plastic cover; for C-1000 hook style handles.



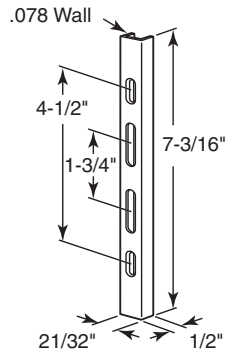
E-2078 (Black)
E-2160 (White)

Keeper

Contents: 1 keeper; installation screws.

Description: Extruded aluminum keeper; used with hook style latches.

Call For Availability

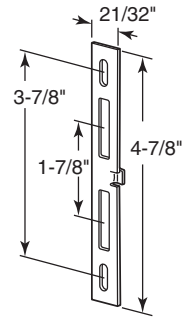


E-2190

Keeper

Contents: 1 keeper; installation screws.

Description: Stamped steel keeper; used with surface hook style handles; re-inforces jamb on flush mount installations.

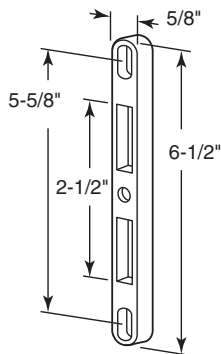


E-2166

Keeper

Contents: 1 keeper; installation screws.

Description: Heavy duty zinc diecast keeper; white finish; used on 2-point mortise locks; fits *Roto*[®] hardware.



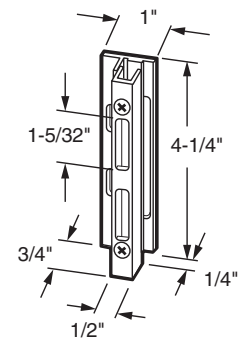
E-2563

Keeper

Contents: 1 keeper; installation screws.

Description: Extruded aluminum strike has projection adjustment; fits on *Pacific*[®] and other manufacturers.

Call For Availability

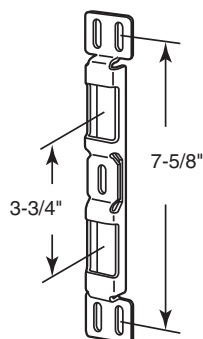


E-2050 (Aluminum)
E-2051 (Black)

Keeper

Contents: 1 keeper; installation screws.

Description: Heavy gauge stamped steel keeper; white finish; for 2-point mortise locks; used on vinyl patio doors.

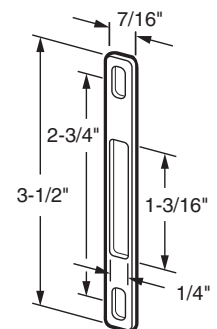


E-2572

Keeper

Contents: 1 keeper; installation screws.

Description: Surface mount; for hook style latch; zinc plated steel; can be used as a reinforcing plate for slotted end stiles.

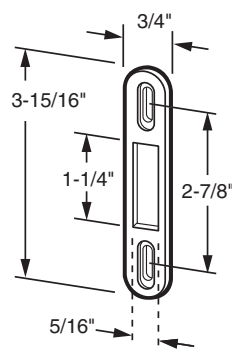


E-2016

Keeper

Contents: 1 keeper; installation screws.

Description: Surface mount; for hook style latch; zinc plated steel; can be used as a reinforcing plate for slotted end stiles.

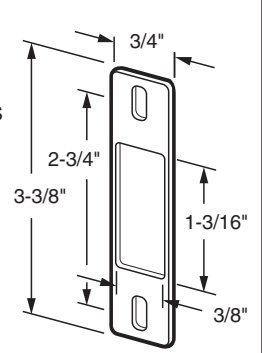


E-2097

Keeper

Contents: 1 keeper; installation screws.

Description: Surface mount; for hook style latch; stainless steel; can be used as a reinforcing plate for slotted end stiles.

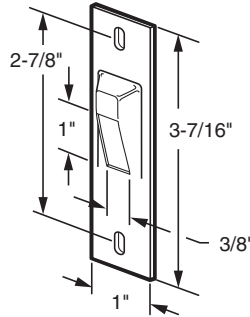


E-2017

Keeper

Contents: 1 keeper; installation screws.

Description: Surface mount; for hook style latch; 1/4" projection; plated steel.

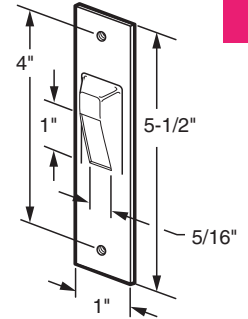


E-2020

Keeper

Contents: 1 keeper; installation screws.

Description: Surface mount; for hook style latch; 1/4" projection; plated steel.

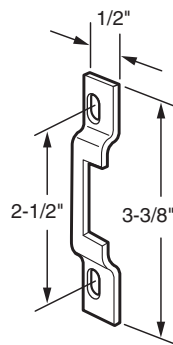


E-2019

Keeper

Contents: 1 keeper; installation screws.

Description: Stamped aluminum strike; fits on Premier® series 210 doors.



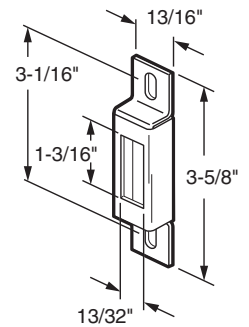
E-2136

Keeper

Contents: 1 keeper; installation screws.

Description: Surface mount; for hook style latch; zinc plated steel.

Call For Availability

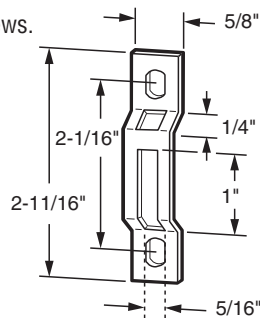


E-2018

Keeper

Contents: 2 keepers; installation screws.

Description: Stamped steel keeper; narrow style design; used with hook style handles.

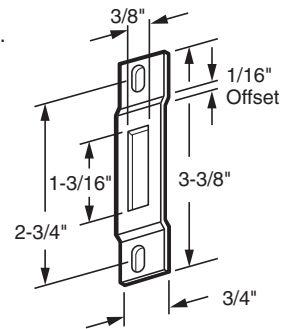


E-2085

Keeper

Contents: 1 keeper; installation screws.

Description: Surface mount; for hook style latch; stainless steel.

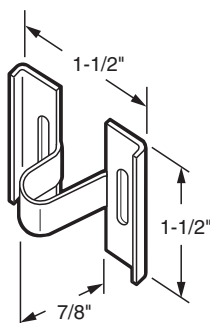


E-2015

Keeper

Contents: 1 keeper; installation screws.

Description: Stamped steel keeper; designed to work with mortise lock E-2027; fits on Daryl® doors.

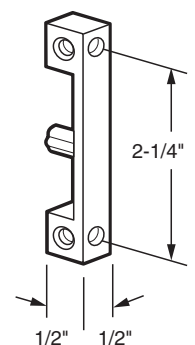


E-2028

Keeper

Contents: 1 keeper; installation screws.

Description: Diecast keeper; can be used for face or side mount; works with C-1016 style handles.

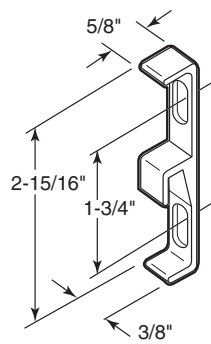


E-2052 (Aluminum)
E-2053 (Black)

Keeper

Contents: 1 keeper; installation screws.

Description: Extruded aluminum keeper; face mount; vertical slots allow for adjustment; used with surface mounted hook style handles.



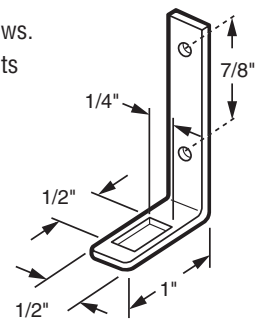
E-2149

Call For Availability

Keeper

Contents: 2 keepers; installation screws.

Description: Stamped steel keeper; fits on *Daryl*® and *Crossly*® patio doors.

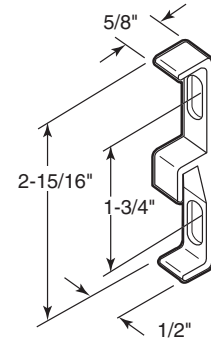


E-2086

Keeper

Contents: 1 keeper; installation screws.

Description: Zinc diecast keeper; face mount; vertical slots allow for adjustment; used with surface mounted hook style handles.

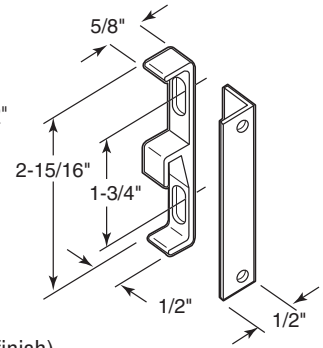


E-2094 (Zinc)
E-2123 (White)

Keeper

Contents: 1 keeper; 1 angle bracket; installation screws.

Description: Face mount keeper with 1/2" x 1/2" angle bracket; used as trim plate; used with surface mounted hook style handles.

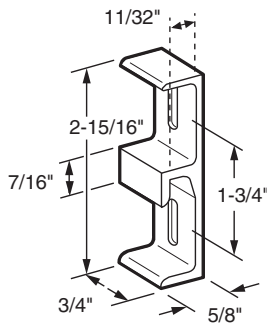


E-2046 (Zinc diecast)
E-2047 (Zinc diecast - Black finish)
E-2142 (Extruded aluminum)
E-2143 (Extruded aluminum - Bronze finish)

Keeper

Contents: 1 keeper; installation screws.

Description: Extruded aluminum keeper; face mount design; vertical slots allow for adjustment; used with surface mounted hook style handles.



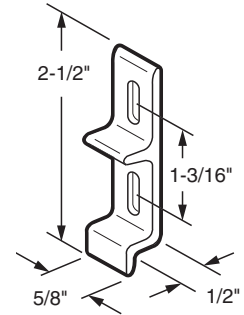
E-2120

Keeper

Contents: 1 keeper; installation screws.

Description: Extruded aluminum keeper; face mount; designed for use on 4-1/2" jambs; used with surface mounted hook style handles.

Call For Availability



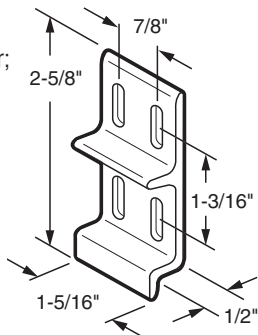
E-2042 (Aluminum)
E-2043 (Black)

Keeper

Contents: 1 keeper; installation screws.

Description: Extruded aluminum keeper; designed for use on 5-1/2" wide jambs; fits on *Sears*® sliding doors; used with surface mounted hook style handles.

Call For Availability

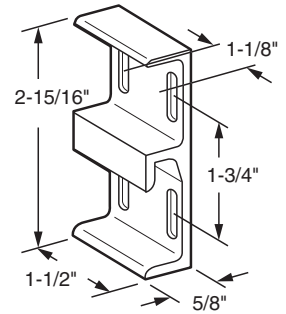


E-2044 (Aluminum)
E-2045 (Black)

Keeper

Contents: 1 keeper; installation screws.

Description: Extruded aluminum face mount keeper; screw slots allow for vertical adjustment; used with surface mounted hook style handles.

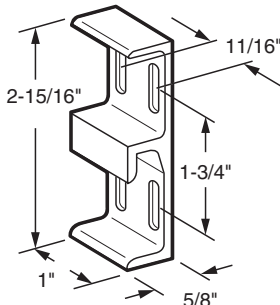


E-2566 (Bronze)
E-2567 (White)

Keeper

Contents: 1 keeper; installation screws.

Description: Extruded aluminum face mount keeper; screw slots allow for vertical adjustment; used with surface mounted hook style handles.



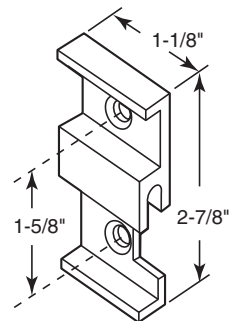
E-2048 (Aluminum)
E-2049 (Black)
E-2169 (White)

Keeper

Contents: 1 keeper; installation screws.

Description: Extruded aluminum keeper; designed for use on *Unit Span*® doors; used with surface mounted hook style handles.

Call For Availability

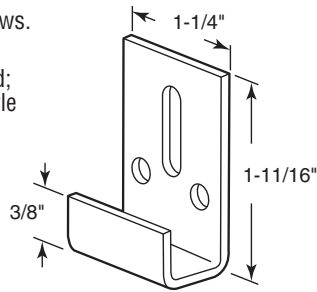


E-2131

Keeper

Contents: 1 keeper; installation screws.

Description: Yellow zinc plated, fits mortise style locks, surface mounted; used with surface mounted hook style handles.

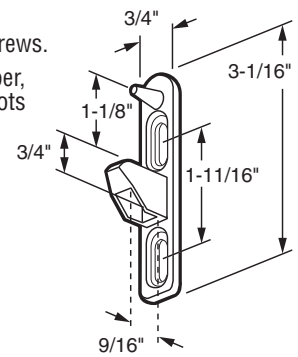


E-2545

Keeper

Contents: 1 keeper; installation screws.

Description: Chrome; diecast keeper, face mount; anti-lift pin; vertical slots allow for adjustment.

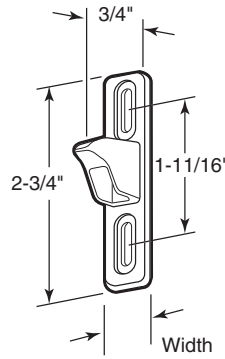


E-2098

Keeper

Contents: 1 keeper; installation screws.

Description: Diecast keeper; screw slots allow for vertical adjustment; universal application; for C-1032 flush style locks.



E-2082 (1/2" Chrome)

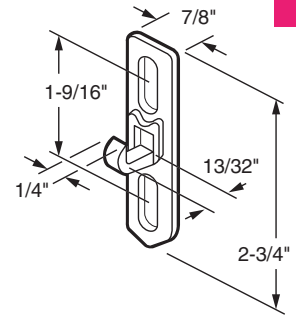
E-2040 (3/4" Chrome)

E-2099 (3/4" Black)

Keeper

Contents: 1 keeper; installation screws.

Description: Chrome; diecast, face mount keeper; vertical slots allow for adjustment; fits on *Daryl*® Industries.

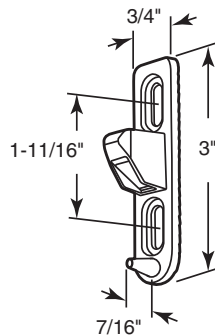


E-2089

Keeper

Contents: 1 keeper; installation screws.

Description: Chrome; diecast keeper, face mount; anti-lift pin; vertical slots allow for adjustment.

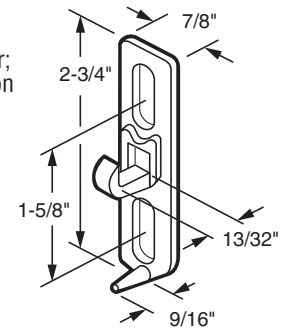


E-2172

Keeper

Contents: 1 keeper; installation screws.

Description: Diecast, face mount keeper; vertical slots allow for adjustment; fits on *Crossly*®.

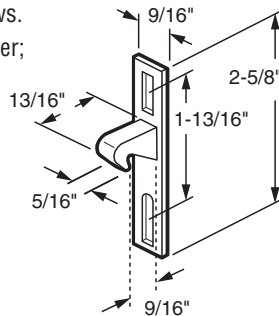


E-2083

Keeper

Contents: 1 keeper; installation screws.

Description: Zinc plated diecast keeper; face mount; vertical slots allow for adjustment; works with C-1018 style handles.

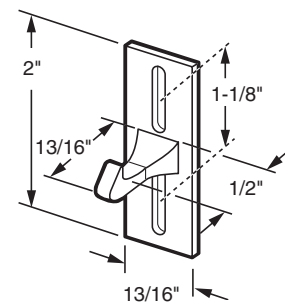


E-2093

Keeper

Contents: 1 keeper; installation screws.

Description: Chrome; diecast, face mount keeper; vertical slots allow for adjustment; fits on *Miller Industries*®.

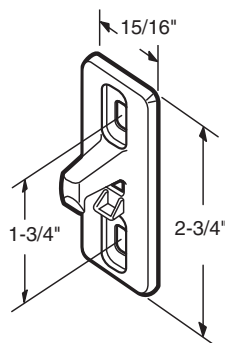


E-2084

Keeper

Contents: 1 keeper; installation screws.

Description: Zinc plated diecast keeper with vertical slots for adjustment, fits *Daryl*® and other doors; works with C-1098 style handles.

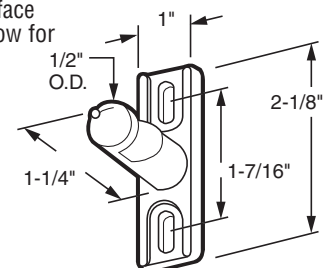


E-2137

Keeper

Contents: 1 keeper; installation screws.

Description: Chrome; diecast, face mount keeper; vertical slots allow for adjustment; fits on *Capitol & Parlyn*®.

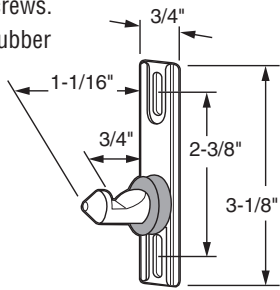


E-2096

Keeper

Contents: 1 keeper; installation screws.

Description: Diecast keeper and rubber bumper; fits on sliding patio door handle C-1025.



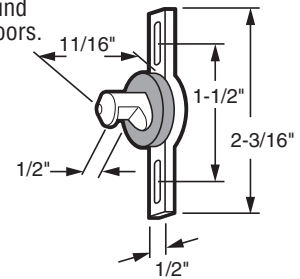
E-2041

Keeper

Contents: 1 keeper; installation screws.

Description: Diecast keeper with round rubber bumper; fits on *Trimview*® doors.

Call For Availability

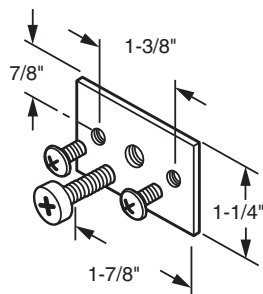


E-2063

Keeper

Contents: 1 keeper; installation screws.

Description: Adjustable keeper assembly; fits on *Guaranteed Products*®; works with C-1028 style handles.

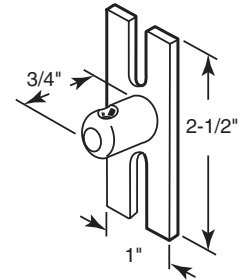


E-2109

Keeper

Contents: 1 keeper; installation screws.

Description: Steel keeper; vertical slots allow for adjustment; works with C-1089 style handles.



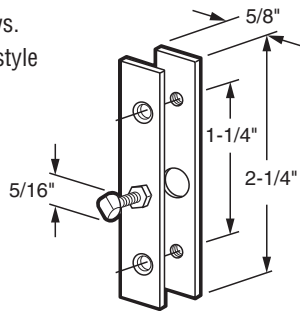
E-2165

Keeper

Contents: 1 keeper; installation screws.

Description: Surface mount; for jaw style latch; plated steel; fits on *W&F*®.

Call For Availability



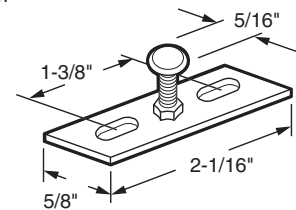
E-2023

Keeper

Contents: 1 keeper; installation screws.

Description: Surface mount; for jaw style latch; adjustable; plated steel; fits on *W&F*®.

Call For Availability



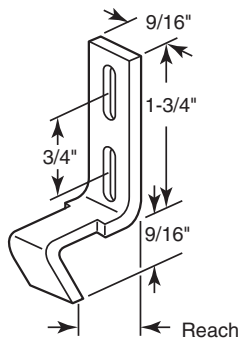
E-2024

Keeper

Contents: 1 keeper; installation screws.

Description: Stamped steel keeper; screw slots allow for vertical adjustment; works with C-1095 style handles.

Call For Availability



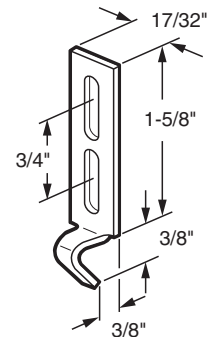
E-2122 (9/16")

E-2197 (7/8")

Keeper

Contents: 2 keepers; installation screws.

Description: Stamped steel keeper; screw slots allow for vertical adjustment; works with C-1018 style handles.

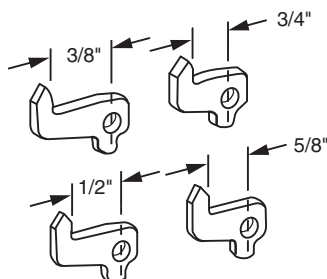


E-2054

Hook Set

Contents: 4 hooks.

Description: Stamped steel hooks for flush style lock assemblies; 4 projections; universal design.

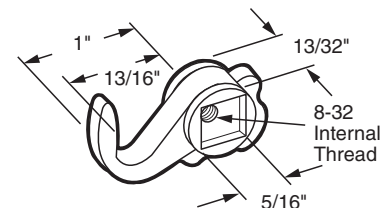


E-2108

Latch Hook

Contents: 2 hooks; 2 springs; installation screws.

Description: Diecast hook; repair part for old style *Fullview*® surface mounted handle sets, C-1023 & C-1024.

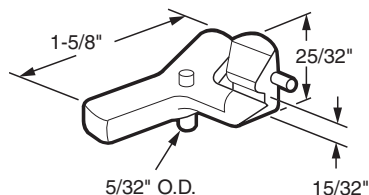


E-2031

Latch Lever

Contents: 1 lever.

Description: Diecast latch; fits on *Trimview*® handle set C-1025.

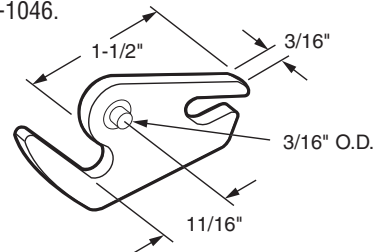


E-2067

Latch Hook

Contents: 1 hook.

Description: Diecast hook; repair part for *Horizon*® door handle set C-1046.

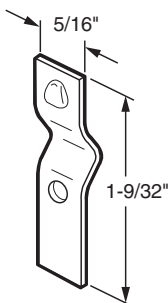


E-2064

Latch Spring

Contents: 2 springs.

Description: Steel latch spring; fits on *Trimview*®; repair part for C-1025 handle set.

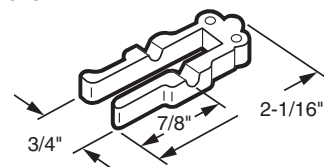


E-2076

Latch Yoke

Contents: 1 yoke.

Description: Diecast yoke; fits on *Trimview*® handle set C-1025.

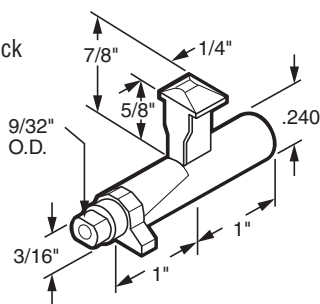


E-2068

Latch Hook

Contents: 1 hook.

Description: Diecast hook for 1-1/4" thick doors; as used on C-1018 & C-1095 handle sets.

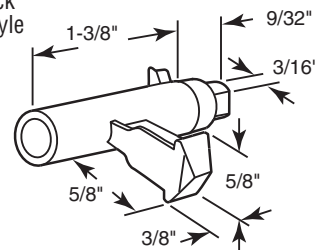


E-2106

Latch Hook

Contents: 1 hook.

Description: Diecast hook for 1" thick doors; used on C-1018 & C-1095 style handles.

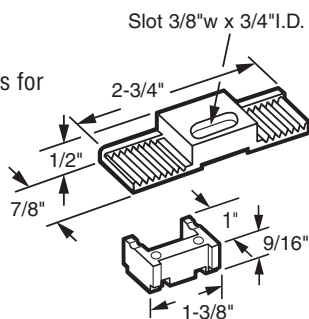


E-2168

Latch Repair Kit

Contents: 1 center gear slide; 2 end caps.

Description: Plastic component parts for *Ador/HiLite*® locking mechanism on handle sets C-1014 & C-1015.

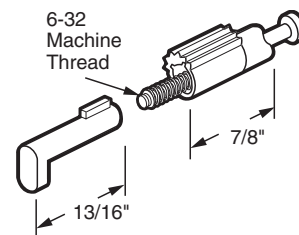


E-2092

Latch Pin

Contents: 2 spring loaded latching assemblies.

Description: Plastic sleeves with steel inserts; locking pins fits on *Ador/HiLite*® on C-1014 & C-1015 handle sets.

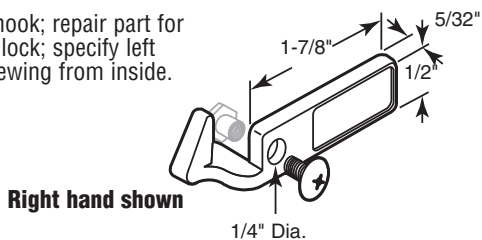


E-2032

Latch Hook

Contents: 1 hook; 1 special binder post; 1 Phillips head machine screw.

Description: Diecast hook; repair part for *Trimview*® patio door lock; specify left hand or right hand, viewing from inside.

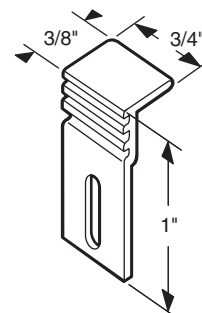


E-2075 (Left)
E-2081 (Right)

Panel Clip

Contents: 4 clips and installation screws.

Description: Used to secure stationary panel on jamb; extruded aluminum.

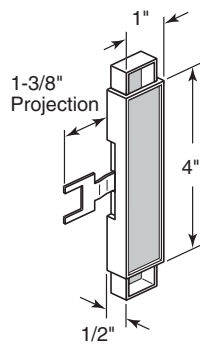


E-2132 (Aluminum)
E-2133 (Bronze)

Slide Latch Assembly

Contents: 1 latch; installation fasteners.

Description: Plastic housing with stamped steel activator fork; replacement latch for C-1028 handle set, fits on *Guaranteed Products*®.

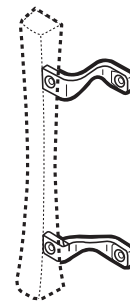


E-2127

Handle Brackets

Contents: 1 left hand and 1 right hand bracket; 1 fastener set.

Description: Diecast chrome plated bracket set for attaching wood handles; used on flush style lock systems.

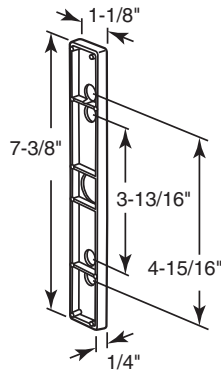


E-2102

Shim Plate

Contents: 1 plate.

Description: Plastic shim used on C-1000 style lock to raise out the hook profile.

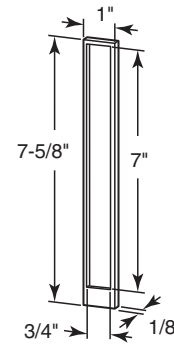


E-2181 (Black)
E-2182 (White)

Shim Plate

Contents: 2 plates.

Description: Black plastic shim plate used on flush style locks to adapt to 7/8" thick doors; mounts under the inside pull.

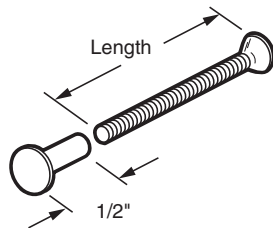


E-2116

Binder Posts & Fasteners

Contents: (4) 1/2" binder posts; 4 Phillips flat head machine screws.

Description: Used for attaching handle sets to sliding patio doors and sliding screen doors; check part numbers for screw length



- E-2056** (1" Aluminum)
- E-2059** (1" Black)
- E-2057** (1-1/4" Aluminum)
- E-2060** (1-1/4" Black)
- E-2155** (1-1/2" Aluminum)
- E-2156** (1-1/2" Black)
- E-2055** (2" Aluminum)
- E-2058** (2" Black)
- E-2152** (2-1/4" Aluminum)
- E-2153** (2-1/4" Black)

Part No.	Description	Page No.	Package Quantity	Standard Pack
F-2500 (Aluminum)	Latch and Pull	10	1	6
F-2501	Spring Latch Assembly	10	2	6
F-2502	Latch and Pull	10	1	6
F-2503	Latch and Pull	10	1	6
F-2504	Latch and Pull	12	1	6
F-2505	Latch and Pull	8	1	6
F-2506	Latch and Pull	8	1	6
F-2507	Latch and Pull	8	1	6
F-2508	Sash Lock	9	1	6
F-2509	Sash Lock	9	2	6
F-2510 (Left hand)	Latch	9	2	6
F-2511 (Right hand)	Latch	9	2	6
F-2512 (Black)	Sash Lock	4	1	6
F-2513 (Left)	Latch	12	1	6
F-2514 (Right)	Latch	12	1	6
F-2515	Lock	12	1	6
F-2517 (Aluminum)	Latch and Pull	8	1	6
F-2518	Latch and Pull	8	1	6
F-2519	Latch and Pull	11	1	6
F-2521 (Aluminum)	Latch and Pull	10	1	6
F-2522 (Black)	Latch and Pull	10	1	6
F-2523 (Aluminum)	Latch and Pull	11	1	6
F-2524 (Bronze)	Latch and Pull	11	1	6
F-2525	Latch and Pull	11	1	6
F-2526 (Chrome)	Cam Lock	1	1	6
F-2527 (Brass)	Cam Lock	1	1	6
F-2528	Latch and Pull	11	1	6
F-2529 (Gray)	Latch and Pull	8	1	6
F-2530 (Bronze)	Latch and Pull	8	1	6
F-2531 (Chrome)	Sash Lock	3	1	6
F-2532 (Black)	Sash Lock	3	1	6
F-2533 (White)	Sash Lock	3	1	6
F-2534 (Brass)	Cam Lock	2	1	6
F-2535 (Brass)	Cam Lock	1	2	6
F-2536 (Brass)	Sash Lift	2	2	6
F-2537	Spring	2	2	6
F-2538	Spring	2	2	6
F-2539 (Brass)	Sash Lift	3	2	6
F-2540 (Chrome)	Sash Lift	3	2	6
F-2541 (Aluminum)	Latch and Pull	10	1	6
F-2542 (Bronze)	Latch and Pull	10	1	6
F-2543 (Aluminum)	Latch and Pull	10	1	6
F-2545	Latch and Pull	10	1	6
F-2547	Pull	17	1	6
F-2548	Latch and Pull	11	1	6
F-2549 (Clear)	Pass-Thru Finger Pull	17	2	6
F-2550 (Black)	Pass-Thru Finger Pull	17	2	6
F-2551 (Gold)	Pass-Thru Finger Pull	17	2	6
F-2552 (Bronze)	Cam Lock	1	1	6
F-2553	Latch and Pull	8	1	6
F-2554 (White)	Sash Lock	5	1	6
F-2556 (Antique brass)	Sash Lift	2	2	6
F-2558 (Brass)	Sash Lift	2	2	6
F-2560 (Antique brass)	Sash Lift	2	2	6
F-2566 (Antique brass)	Cam Lock	1	1	6
F-2568 (Antique brass)	Cam Lock	1	2	6
F-2570 (Diecast chrome - Left hand)	Latch	9	2	6
F-2571 (Diecast chrome - right hand)	Latch	9	2	6
F-2572	Latch and Pull	10	1	6
F-2574 (Brass)	Cam Lock	1	1	6
F-2575	Latch and Pull	11	1	6
F-2577 (Aluminum)	Latch and Pull	11	1	6
F-2577-B (Black)	Latch and Pull	11	1	6
F-2577-W (White)	Latch and Pull	11	1	6
F-2578	Latch and Pull	11	1	6
F-2580	Latch and Pull	10	1	6
F-2583 (Black)	Keyed Sash Lock	3	1	6
F-2584 (White)	Cam Lock	1	1	6

Part No.	Description	Page No.	Package Quantity	Standard Pack
F-2585 (Black plastic - Left hand)	Latch	9	2	6
F-2586 (Black plastic - right hand)	Latch	9	2	6
F-2587	Cam Lock	1	1	6
F-2588 (White)	Sash Lock	6	1	6
F-2589 (Black - 3/8" latch projection)	Sash Lock	3	1	6
F-2590 (White - 3/8" latch projection)	Sash Lock	3	1	6
F-2591 (Black - 5/8" latch projection)	Sash Lock	3	1	6
F-2592 (White - 1/2" latch projection)	Sash Lock	3	1	6
F-2593	Sash Lock	9	2	6
F-2594 (White)	Sash Lock	4	1	6
F-2595 (Black)#	Sash Lock	4	1	6
F-2596 (Bronze - 3/8" latch projection)	Sash Lock	3	1	6
F-2597	Latch	8	1	6
F-2598	Tilt Latch	14	1	6
F-2599	Tilt Latch	14	1	6
F-2600 (Solid brass)	Cam Lock	1	1	6
F-2601 (Solid brass)	Cam Lock	1	1	6
F-2602	Latch	13	1	6
F-2603	Latch	13	1	6
F-2604	Latch	13	1	6
F-2606	Latch	13	1	6
F-2607	Latch and Pull	8	1	6
F-2608	Latch	12	1	6
F-2609	Sash Lock	9	1	6
F-2610	Latch and Pull	12	1	6
F-2611	Latch and Pull	8	1	6
F-2612 (Diecast chrome - 1 right hand & 1 left hand)	Latch	9	1	6
F-2613 (1 Right hand, 1 left hand)	Latch	9	1	6
F-2614	Lower Sash Latch	13	2	6
F-2616	Acrylic Knob	17	2	6
F-2617	Security Pin	2	8	6
F-2618 (White)	Cam Lock	1	1	6
F-2619 (White)	Cam Lock	1	2	6
F-2620 (White)	Cam Lock	1	1	6
F-2621	Cam Lock with Security Pins	1	1	6
F-2622	Cam Lock with Security Pins	1	1	6
F-2623	Latch	12	1	6
F-2624	Keyed Sash Lock	6	1	6
F-2625 (Left hand)	Sash Lock	6	1	6
F-2626 (Right hand)	Sash Lock	6	1	6
F-2627	Tilt Latch	14	1	6
F-2628 (Black)	Tilt Latch	16	1	6
F-2630 (White)	Sash Lift	2	2	6
F-2631 (Black)	Sash Lift	2	2	6
F-2632 (Brass)	Sash Lock	5	1	6
F-2633 (Brass)	Sash Lock	6	1	6
F-2634	Latch and Pull	13	2	6
F-2641	Latch and Pull	12	1	6
F-2642 (White)	Tilt Latch	16	1	6
F-2643 (Black)	Latch and Pull	10	1	6
F-2644	Sash Lock	9	2	6
F-2645	Tilt Latch	15	1	6
F-2646 (White)	Cam Lock	2	1	6
F-2647	Latch and Pull	11	1	6
F-2648 (Brass)	Sash Lock	3	1	6
F-2649 (Black)	Sash Lock	4	1	6
F-2650 (White)	Sash Lock	4	1	6
F-2652	Sash Lock	9	2	6
F-2653 (Antique brass)	Cam Lock	1	1	6
F-2654	Sash Lock	5	1	6
F-2658	Sash Lock	4	1	6
F-2659 (Gray - 3/8" latch projection)	Sash Lock	3	1	6
F-2660 (Black)	Tilt Latch	16	1	6
F-2661 (Bronze)	Latch and Pull	8	1	6
F-2663 (Coppertone)	Cam Lock	1	1	6
F-2665 (Black)	Sash Lock	3	1	6
F-2666 (White)	Sash Lock	3	1	6
F-2667	Sash Lock	5	1	6

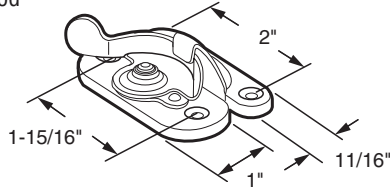
Part No.	Description	Page No.	Package Quantity	Standard Pack
F-2669 (White)	Sash Lock	6	1	6
F-2671	Tilt Latch	15	1	6
F-2672 (Black)	Sash Lock	3	1	6
F-2673 (White)	Sash Lock	3	1	6
F-2674 (Gray)	Sash Lock	9	2	6
F-2675	Latch	12	1	6
F-2677 (Brass)	Cam Lock	2	1	6
F-2679 (White)	Cam Lock	2	1	6
F-2680 (White - right hand)	Sash Lock	7	1	6
F-2681 (Bronze - right hand)	Sash Lock	7	1	6
F-2682 (Coppertone - right hand)	Sash Lock	7	1	6
F-2683 (White - left hand)	Sash Lock	7	1	6
F-2684 (Bronze - left hand)	Sash Lock	7	1	6
F-2685 (Coppertone - left hand)	Sash Lock	7	1	6
F-2686	Sash Lock	7	1	6
F-2687 (White)	Sash Lock	6	1	6
F-2688 (Brown)	Sash Lock	4	1	6
F-2689 (White)	Sash Lock	4	1	6
F-2690 (Brown)	Sash Lock	9	2	6
F-2691 (Zinc)	Sash Lock	9	2	6
F-2692	Latch and Pull	11	1	6
F-2693 (White)	Tilt Latch	15	1	6
F-2694 (Almond)	Tilt Latch	15	1	6
F-2695 (Black)	Tilt Latch	15	1	6
F-2696 (Almond)	Tilt Latch	14	1	6
F-2697 (Black)	Tilt Latch	14	1	6
F-2698 (White)	Tilt Latch	13	1	6
F-2699 (Almond)	Tilt Latch	13	1	6
F-2703	Latch and Keeper	13	1	6
F-2704	Sash Lock	4	1	6
F-2705 (Antique brass)	Cam Lock	2	1	6
F-2706 (White)	Sash Lift	2	1	6
F-2707 (White)	Sash Lift	2	1	6
F-2708 (Zinc)	Window Bolt	2	1	6
F-2709 (Brass)	Window Bolt	2	1	6
F-2710 (Oil rubbed bronze)	Window Bolt	2	1	6
F-2711 (Satin nickel)	Cam Lock	1	1	6
F-2712 (Satin nickel)	Cam Lock	1	1	6
F-2713 (Satin nickel)	Cam Lock	1	1	6
F-2719 (Satin nickel)	Sash Lift	2	2	6
F-2722	Tilt Latch	14	2	6
F-2723 (Chrome)	Keyed Sash Lock	3	1	6
F-2724 (White)	Tilt Latch	14	2	6
F-2725 (Black)	Tilt Latch	14	2	6
F-2727 (Almond)	Tilt Latch	14	2	6
F-2728 (White)	Tilt Latch	14	1	6
F-2729 (Almond)	Tilt Latch	14	1	6
F-2730 (Brown)	Tilt Latch	14	1	6
F-2731	Self Locking Latch & Keeper	7	1	6
F-2734	Tilt Latch	15	2	6
F-2735	Tilt Latch	15	2	6
F-2736	Vent Stop	17	2	6
F-2737	Tilt Latch	13	1	6
F-2738	Keeper	7	2	6
F-2740	Keeper	7	1	6
F-2741	Sash Lock	6	1	6
F-2744	Sash Lock	4	1	6
F-2746 (White)	Sash Lock	5	1	6
F-2747 (Almond)	Sash Lock	5	1	6
F-2748	Latch and Pull	9	1	6
F-2749	Tilt Latch	15	1	6
F-2754	Sash Lock	6	1	6
F-2755	Sash Lock	5	1	6
F-2756 (White)	Sash Lock	4	1	6
F-2758	Sash Lock	4	1	6
F-2762 (Silver)	Sash Lock	6	1	6
F-2763 (Bronze)	Sash Lock	6	1	6
F-2765 (Bronze)	Sash Lift	2	1	6

Part No.	Description	Page No.	Package Quantity	Standard Pack
F-2766 (White)	Sash Lift	2	1	6
F-2767	Sash Lock	5	1	6
F-2768	Sash Lock	5	1	6
F-2769	Tilt Latch	16	2	6
F-2770	Tilt Latch	16	1	6
F-2771 (Black)	Sash Lock	4	1	6
F-2772	Latch	12	2	6
F-2778	Sash Lock	6	1	6
F-2779	Sash Lock	4	1	6
F-2780 (White)	Sash Lock	3	1	6
F-2781 (Almond)	Sash Lock	3	1	6
F-2782 (Black)	Sash Lock	3	1	6
F-2783 (Almond - 1/2" latch projection)	Sash Lock	3	1	6
F-2784 (White)	Sash Lock	5	1	6
F-2785 (Almond)	Sash Lock	5	1	6
F-2786	Keeper	7	2	6
F-2788 (White)	Tilt Latch	16	1	6
F-2789 (White)	Keeper	7	2	6
F-2790 (Almond)	Keeper	7	2	6
F-2791	Keeper	7	2	6
F-2792	Keeper	7	2	6
F-2793	Hole Cover	17	4	6
F-2794	Hole Cover	17	4	6
F-2795 (White - 3/8" latch projection)	Sash Lock	4	1	6
F-2796 (White - 1/2" latch projection)	Sash Lock	4	1	6
F-2797 (Black - 3/8" latch projection)	Sash Lock	4	1	6
F-2798 (Black - 1/2" latch projection)	Sash Lock	4	1	6
F-2799 (Almond - 3/8" latch projection)	Sash Lock	4	1	6
F-2800 (Almond - 1/2" latch projection)	Sash Lock	4	1	6
F-2801	Tilt Latch	15	2	6
F-2805 (Black)	Sash Lift	3	1	6
F-2806 (Brown)	Sash Lift	3	1	6
F-2807	Sash Lock	7	1	6
F-2808 (Black)	Tilt Latch	14	2	6
F-2809 (White)	Tilt Latch	14	2	6
F-2810 (White)	Tilt Latch	14	2	6
F-2811 (Tan)	Tilt Latch	14	2	6
F-2812	Tilt Latch	16	2	6
F-2813	Tilt Latch	16	2	6
F-2814	Tilt Latch	16	1	6
F-2815	Tilt Latch	16	2	6
F-2816	Tilt Latch	14	2	6
F-2817 (Brass)	Sash Lift	3	2	6
F-2818 (Chrome)	Sash Lift	3	2	6
F-2819 (Brass)	Keyed Sash Lock	3	1	6
F-2820 (White)	Keyed Sash Lock	3	1	6
F-2821	Tilt Latch	16	1	6
F-2822	Tilt Latch	16	1	6
F-2824	Vinyl Window Limit Latch	17	2	6
F-2825	Tilt Slide Button	17	1	6
F-2826 (Brown)	Tilt Slide Button	17	1	6
F-2827 (Beige)	Tilt Slide Button	17	1	6
F-2828 (Black)	Tilt Latch	15	1	6
F-2829 (White)	Tilt Latch	15	1	6
F-2830	Tilt Latch	13	1	6
F-2831	Tilt Latch	15	1	6
F-2832	Tilt Latch	15	1	6
TH-23074 (Bronze)	Lock	12	1	6
TH-23075 (Gold)	Lock	12	1	6
TH-23080 (Bronze)	Sash Lock	6	1	6
TH-23081 (White)	Sash Lock	6	1	6
TH-23082	Sash Lock	6	1	6
TH-23084 (Bronze)	Sash Lock	5	1	6
TH-23085 (White)	Sash Lock	5	1	6
TH-23086 (Bronze)	Sash Lock	5	1	6
TH-23087 (White)	Sash Lock	5	1	6

Cam Lock

Contents: 2 locks; 2 keepers; installation screws.

Description: Stamped steel sash lock and keeper; used on double hung wood windows.

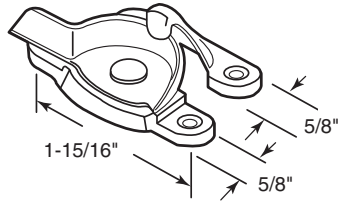


- F-2535 (Brass)
- F-2568 (Antique brass)
- F-2619 (White)

Cam Lock

Contents: 1 lock; 1 keeper; installation screws.

Description: Diecast sash lock and keeper; used on single and double hung wood window.

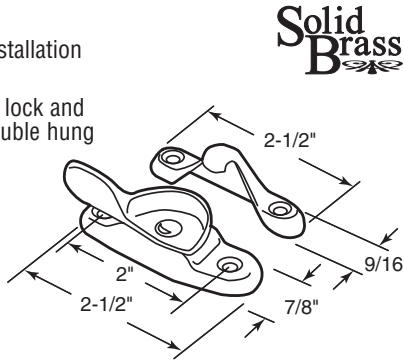


- F-2574 (Brass)
- F-2653 (Antique brass)
- F-2620 (White)
- F-2711 (Satin nickel)

Cam Lock

Contents: 1 lock; 1 keeper; installation screws.

Description: Solid brass sash lock and keeper; used on single and double hung wood windows.

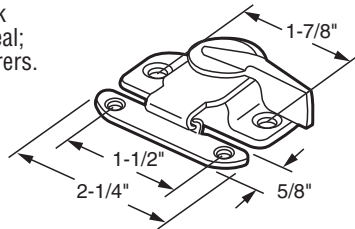


- F-2600 (Solid brass)
- F-2712 (Satin nickel)

Cam Lock

Contents: 1 lock; 1 keeper; installation screws.

Description: Stamped steel sash lock and keeper; cam action of the latch hook draws sashes together for a tight seal; used by several window manufacturers.

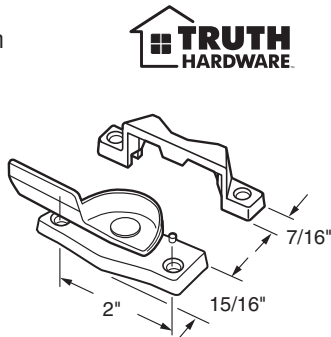


- F-2526 (Chrome)
- F-2527 (Brass)
- F-2566 (Antique brass)
- F-2618 (White)

Cam Lock

Contents: 1 lock; 1 keeper; installation screws.

Description: Diecast sash lock and keeper; heavy duty design; used on double hung windows by several manufacturers.

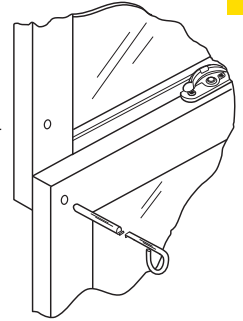
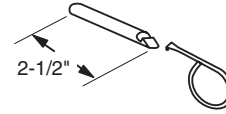
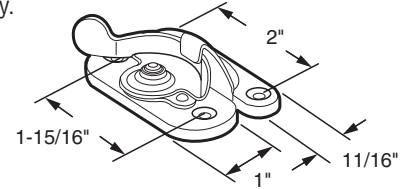


- F-2552 (Bronze)
- F-2584 (White)
- F-2663 (Coppertone)

Cam Lock with Security Pins

Contents: 1 lock; 1 keeper; 2 pins; 1 removal key; installation screws.

Description: Brass finish; stamped steel lock and keeper; used on wood sash windows; steel pins are installed thru front sash into rear sash to offer tamper-resistant security; easily removed with special key.

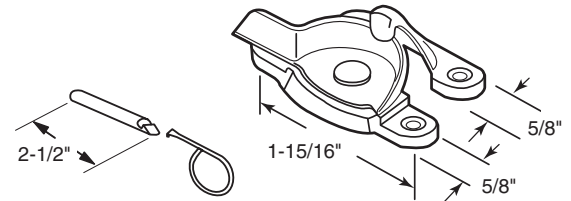


F-2622

Cam Lock with Security Pins

Contents: 1 lock; 1 keeper; 2 pins; 1 removal key; installation screws.

Description: Brass finish; diecast lock and keeper; used on wood sash windows; steel pins are installed thru front sash into rear sash to offer tamper-resistant security; easily removed with special key.

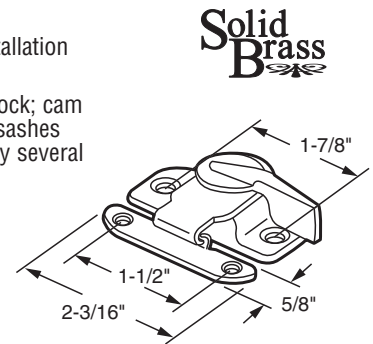


F-2621

Cam Lock

Contents: 1 lock; 1 keeper; installation screws.

Description: Solid brass sash lock; cam action of the latch hook draws sashes together for a tight seal; used by several window manufacturers.

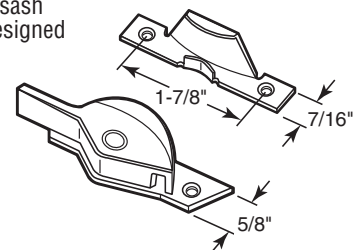


- F-2601 (Solid brass)
- F-2713 (Satin nickel)

Cam Lock

Contents: 1 lock; 1 keeper; installation screws.

Description: Brass finish; diecast sash lock with stamped steel keeper; designed for double hung wood windows.

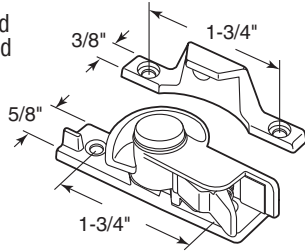


F-2587

Cam Lock

Contents: 1 lock; 1 keeper; installation screws.

Description: Diecast sash lock and keeper; used on double hung wood windows; lever release feature.



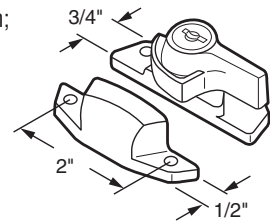
F-2677 (Brass)
F-2679 (White)

Cam Lock

Contents: 1 lock; 1 keeper; installation screws.

Description: Diecast sash lock and keeper, requires a key to unlock latch; designed for double hung windows.

AVAILABLE KEYED ALIKE.

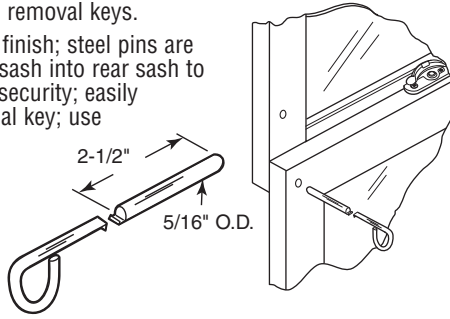


F-2534 (Brass)
F-2705 (Antique brass)
F-2646 (White)

Security Pin

Contents: 8 pins; 4 removal keys.

Description: Brass finish; steel pins are installed thru front sash into rear sash to offer tamper-proof security; easily removed with special key; use 2 pins per window.

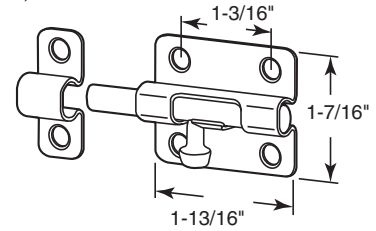


F-2617

Window Bolt

Contents: 1 bolt with keeper; installation screws.

Description: Steel bolt and keeper; used on a variety of wood window applications.

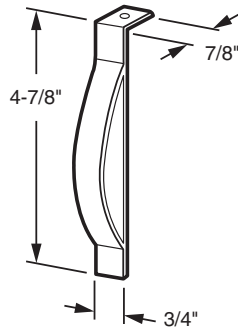


F-2708 (Zinc)
F-2709 (Brass)
F-2710 (Oil rubbed bronze)

Spring

Contents: 2 springs; 2 nails.

Description: Spring steel construction; allows repair of broken sash cords without removing sash; corner mounted; installs in seconds.

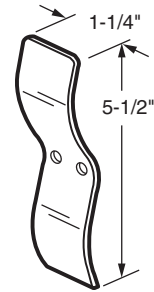


F-2537

Spring

Contents: 2 springs.

Description: Spring steel construction; chrome plated; side mounted.

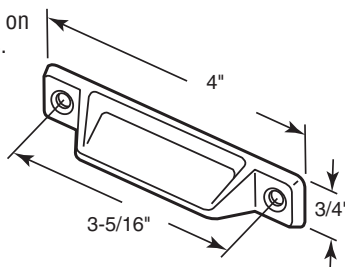


F-2538

Sash Lift

Contents: 2 lifts; installation screws.

Description: Diecast sash lift; popular on wood and vinyl vertical hung windows.

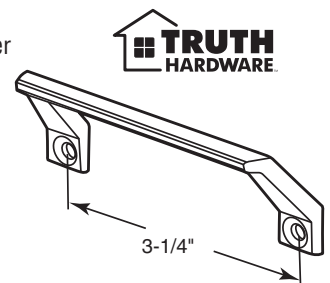


F-2631 (Black)
F-2630 (White)

Sash Lift

Contents: 1 lift; installation screws.

Description: Diecast sash lift; powder coated finish; popular on wood and vinyl vertical hung windows.

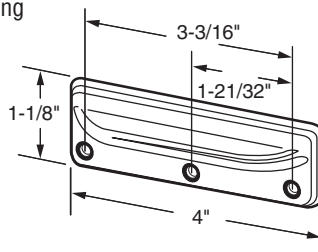


F-2765 (Bronze)
F-2766 (White)

Sash Lift

Contents: 2 lifts; installation screws.

Description: Stamped steel sash lift; popular on wood and vinyl vertical hung windows.

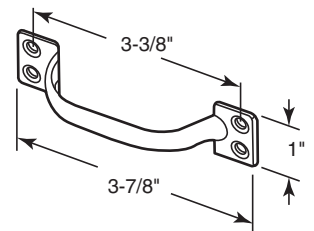


F-2558 (Brass)
F-2560 (Antique brass)
F-2707 (White)

Sash Lift

Contents: 2 lifts; installation screws.

Description: Stamped steel sash lift handle; popular on older wood double hung windows.

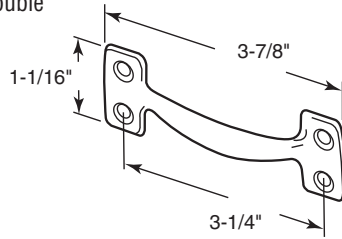


F-2536 (Brass)
F-2556 (Antique brass)
F-2706 (White)
F-2719 (Satin nickel)

Sash Lift

Contents: 2 lifts; installation screws.

Description: Stamped steel sash lift handle; popular on older wood double hung windows.

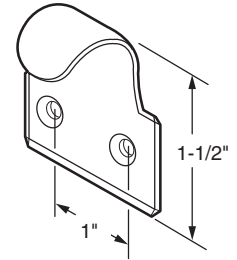


F-2817 (Brass)
F-2818 (Chrome)

Sash Lift

Contents: 2 lifts; installation screws.

Description: Stamped steel sash lift; popular on older wood double hung windows.

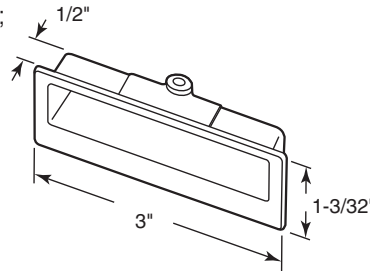


F-2539 (Brass)
F-2540 (Chrome)

Sash Lift

Contents: 1 lift; installation screws.

Description: Mortise style sash lift; used on vinyl and aluminum double hung windows; molded plastic.

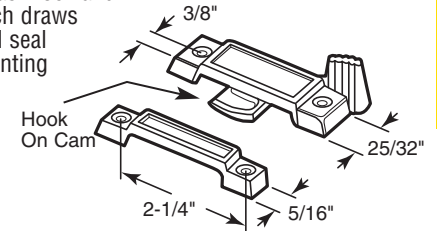


F-2805 (Black)
F-2806 (Brown)

Sash Lock

Contents: 1 lock; 1 keeper; installation screws.

Description: Diecast sash lock and keeper; cam action latch draws sashes tight for a good seal when locked; 3/8" mounting screw backset.

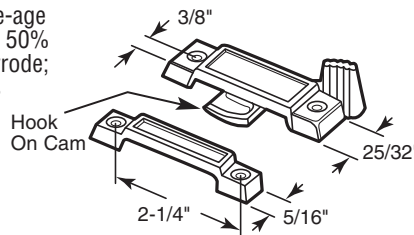


F-2648 (Brass)
F-2531 (Chrome)
F-2532 (Black)
F-2533 (White)

Sash Lock

Contents: 1 lock; 1 keeper; installation screws.

Description: Composite, space-age polymer sash lock and keeper; 50% stronger than zinc; will not corrode; cam action latch draws sashes tight for a good seal when locked; 3/8" mounting screw backset.



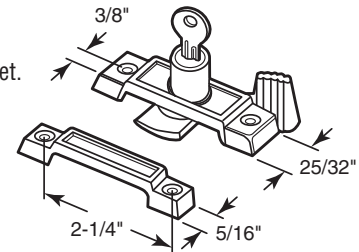
F-2672 (Black)
F-2673 (White)

Keyed Sash Lock

Contents: 1 lock; 1 keeper; 2 keys; installation screws.

Description: Diecast sash lock and keeper; 3/8" mounting screw backset.

AVAILABLE KEYED ALIKE.

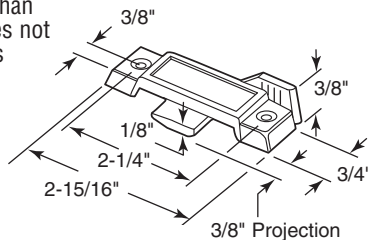


F-2819 (Brass)
F-2723 (Chrome)
F-2583 (Black)
F-2820 (White)

Sash Lock

Contents: 1 lock; installation screws.

Description: Composite, space-age polymer sash lock; 50% stronger than zinc; will not corrode; this lock does not use a keeper; latch tongue engages fixed rail of opposing sash; 3/8" mounting screw backset.

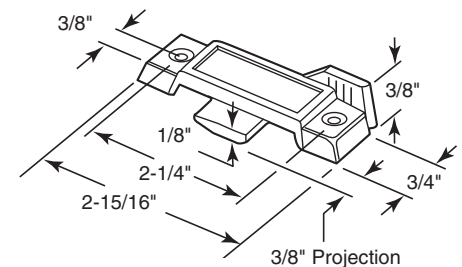


F-2665 (Black)
F-2666 (White)

Sash Lock

Contents: 1 lock; installation screws.

Description: Diecast sash lock; this lock does not use a keeper; latch tongue engages fixed rail of opposing sash; 3/8" mounting screw backset.

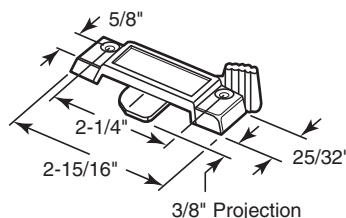


F-2659 (Gray - 3/8" latch projection)
F-2589 (Black - 3/8" latch projection)
F-2596 (Bronze - 3/8" latch projection)
F-2590 (White - 3/8" latch projection)
F-2592 (White - 1/2" latch projection)
F-2591 (Black - 5/8" latch projection)
F-2783 (Almond - 5/8" latch projection)

Sash Lock

Contents: 1 lock; installation screws.

Description: Diecast sash lock; this lock does not use a keeper; latch tongue engages fixed rail of opposing sash; 5/8" mounting screw backset; fits on *International Windows*® and others.

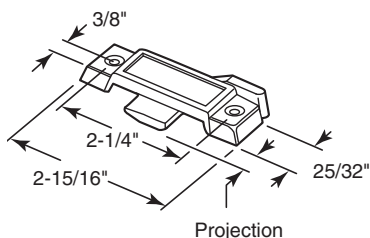


F-2782 (Black)
F-2780 (White)
F-2781 (Almond)

Sash Lock

Contents: 1 lock; installation screws.

Description: Fiber re-inforced plastic sash lock; this lock does not use a keeper; latch tongue engages fixed rail of opposing sash; 3/8" mounting screw backset.

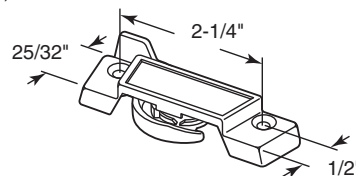


- F-2797** (Black - 3/8" latch projection)
- F-2798** (Black - 1/2" latch projection)
- F-2795** (White - 3/8" latch projection)
- F-2796** (White - 1/2" latch projection)
- F-2799** (Almond - 3/8" latch projection)
- F-2800** (Almond - 1/2" latch projection)

Sash Lock

Contents: 1 lock; installation screws.

Description: White diecast sash lock; this lock does not use a keeper; latch tongue engages fixed rail of opposing sash; 1/2" mounting screw backset; fits on *MI Windows*®.

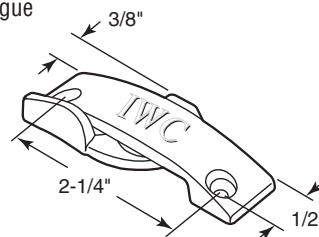


F-2758

Sash Lock

Contents: 1 lock; installation screws.

Description: White diecast sash lock; this lock does not use a keeper; latch tongue engages fixed rail of opposing sash; 1/2" mounting screw backset; fits on *International Windows*®.

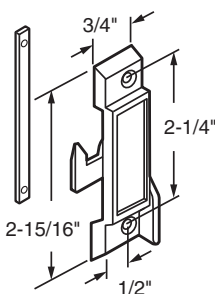
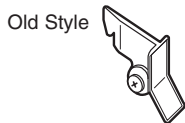


F-2779

Sash Lock (Right Hand)

Contents: 1 lock; installation screws.

Description: Diecast sash lock; this lock does not use a keeper; latch tongue engages fixed rail of opposing sash; includes channel locking bar; 1/2" mounting screw backset; fits *Guaranteed Products*® windows.

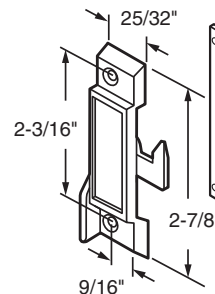


- F-2512** (Black)
- F-2594** (White)

Sash Lock (Left Hand)

Contents: 1 lock; installation screws.

Description: Diecast sash lock; this lock does not use a keeper; latch tongue engages fixed rail of opposing sash; 9/16" mounting screw backset; fits *Guaranteed Products*® windows.

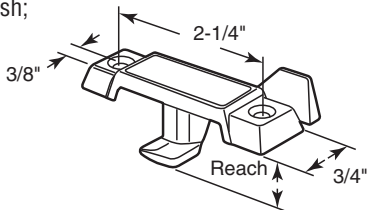


F-2658 (Black)

Sash Lock

Contents: 1 lock; installation screws.

Description: Diecast sash lock; this lock does not use a keeper; latch tongue engages fixed rail of opposing sash; 3/8" mounting screw backset.

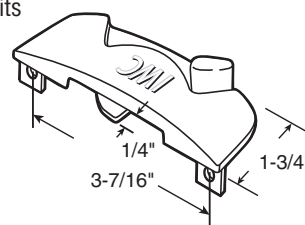


- F-2595** (Black - 9/32")
- F-2771** (Black - 1/2")
- F-2689** (White - 9/32")
- F-2756** (White - 1/2")
- F-2688** (Brown - 9/32")

Sash Lock

Contents: 1 lock; installation screws.

Description: White diecast sash lock; this lock does not use a keeper; latch tongue engages fixed rail of opposing sash; fits *International*® windows.

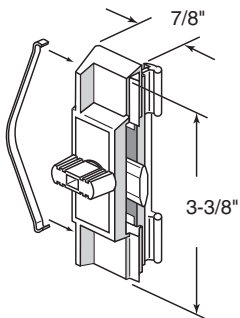


F-2704

Pull & Lock

Contents: 1 pull with spring.

Description: Diecast sash lock with secondary night lock feature; latch locks into opposing sash; fits *Superior*® windows.

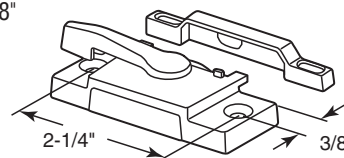


- F-2649** (Black)
- F-2650** (White)

Sash Lock

Contents: 1 lock; 1 keeper; installation screws.

Description: White diecast sash lock and keeper; cam action latch draws the sashes tight for a good seal when locked; latch body has alignment lugs; 3/8" mounting screw backset.

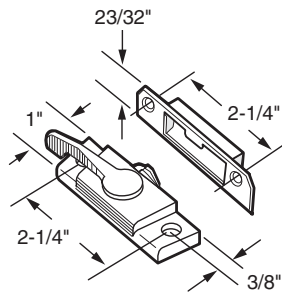


F-2744

Sash Lock

Contents: 1 lock; 1 keeper; installation screws.

Description: Black heavy duty diecast latch assembly and keeper; cam action lock holds window securely closed; flush mount strike requires a 1-1/2" x 3/8" x 1/4" deep recess; 3/8" mounting screw backset.

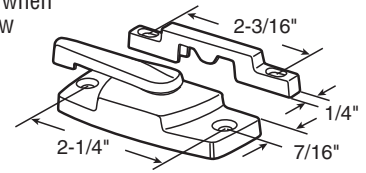


F-2654

Sash Lock

Contents: 1 lock; 1 keeper; installation screws.

Description: White diecast sash lock and keeper; cam action latch draws the sashes tight for a good seal when locked; 7/16" mounting screw backset.

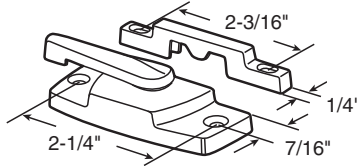


F-2768

Sash Lock

Contents: 1 lock; 1 keeper; installation screws.

Description: White composite space-age polymer sash lock and keeper; 50% stronger than zinc; will not corrode; cam action latch draws the sashes tight for a good seal when locked; 7/16" mounting screw backset.

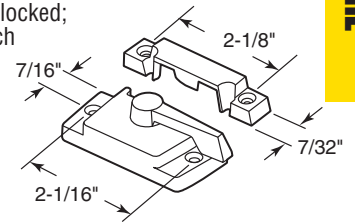


F-2667

Sash Lock

Contents: 1 lock; 1 keeper; installation screws.

Description: Diecast sash lock and keeper; cam action latch draws the sashes tight for a good seal when locked; latch body has alignment lugs; latch body has an 7/16" back set of the mounting holes.

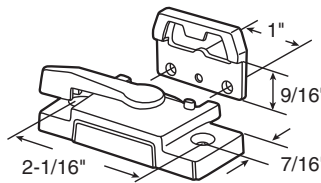


TH-23084 (Bronze)
TH-23085 (White)

Sash Lock

Contents: 1 lock; 1 keeper; installation screws.

Description: White diecast sash lock and keeper; cam action latch draws the sashes tight for a good seal when locked; latch body has alignment lugs; latch body has an 7/16" back set of the mounting holes.

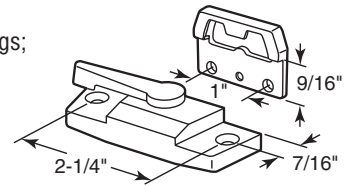


F-2755

Sash Lock

Contents: 1 lock; 1 keeper; installation screws.

Description: White diecast sash lock and keeper; cam action latch draws the sashes tight for a good seal when locked; latch body has alignment lugs; latch body has an 7/16" back set of the mounting holes.

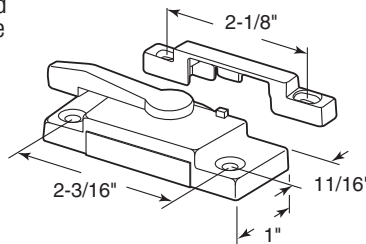


F-2767

Sash Lock

Contents: 1 lock; 1 keeper; installation screws.

Description: Diecast sash lock and keeper; cam action latch draws the sashes tight for a good seal when locked; latch body has an 11/16" back set of the mounting holes; fits **Comfort Line**® windows.

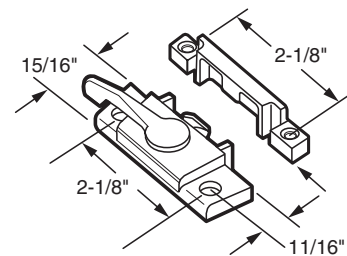


F-2784 (White)
F-2785 (Almond)

Sash Lock

Contents: 1 lock; 1 keeper; installation screws.

Description: Diecast sash lock and keeper; cam action latch draws the sashes tight for a good seal when locked; latch body has alignment lugs; latch body has an 11/16" back set of the mounting holes.

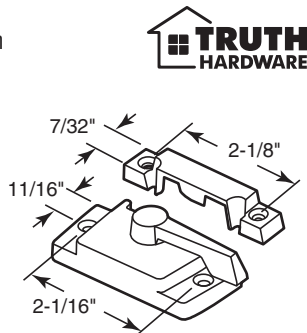


F-2632 (Brass)
F-2554 (White)

Sash Lock

Contents: 1 lock; 1 keeper; installation screws.

Description: Diecast sash lock and keeper; cam action latch draws the sashes tight for a good seal when locked; latch body has alignment lugs; latch body has an 11/16" back set of the mounting holes.



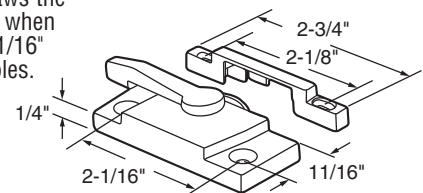
TH-23086 (Bronze)
TH-23087 (White)

Sash Lock

Contents: 1 lock; 1 keeper; installation screws.

Description: Diecast sash lock and keeper; cam action latch draws the sashes tight for a good seal when locked; latch body has an 11/16" back set of the mounting holes.

F-2746 shown

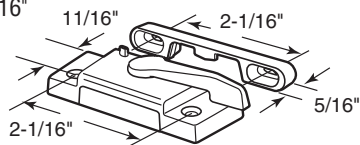


F-2746 (White)
F-2747 (No keeper - Almond)

Sash Lock

Contents: 1 lock; 1 keeper; installation screws.

Description: Diecast sash lock and keeper; cam action latch draws the sashes tight for a good seal when locked; latch body has an 11/16" back set of the mounting holes.



F-2625 (Left hand)

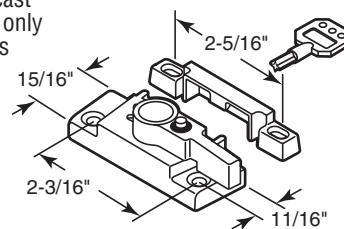
F-2626 (Right hand)

Left Hand Shown in Locked Position

Keyed Sash Lock

Contents: 1 lock; 1 keeper; 2 keys; installation screws.

Description: White button lock; diecast sash lock and keeper; this latch can only be opened with a key; latch body has alignment lugs; latch body has an 11/16" back set of the mounting holes.

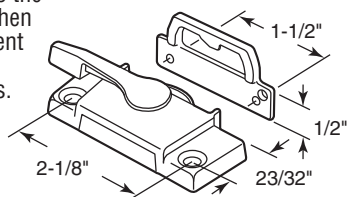


F-2624

Sash Lock

Contents: 1 lock; 1 keeper; installation screws.

Description: White diecast sash lock and keeper; cam action latch draws the sashes tight for a good seal when locked; latch body has alignment lugs; latch body has an 23/32" back set of the mounting holes.



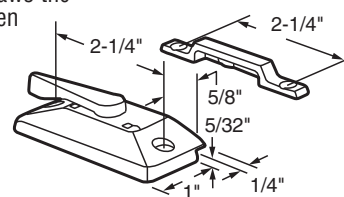
F-2778

Call For Availability

Sash Lock

Contents: 1 lock; 1 keeper; installation screws.

Description: White diecast sash lock and keeper; cam action latch draws the sashes tight for a good seal when locked; keeper nests inside housing; latch body has an 5/8" back set of the mounting holes; housing mortised 5/32" into sash.

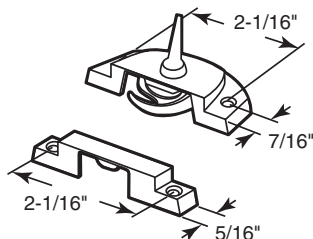


F-2741

Sash Lock

Contents: 1 lock; 1 keeper; installation screws.

Description: Diecast sash lock and keeper; cam action latch draws the sashes tight for a good seal when locked; latch body has a 7/16" back set of the mounting holes.



F-2762 (Silver)

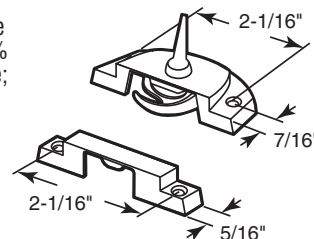
F-2763 (Bronze)

F-2588 (White)

Sash Lock

Contents: 1 lock; 1 keeper; installation screws.

Description: Composite, space-age polymer sash lock and keeper; 50% stronger than zinc; will not corrode; cam action latch draws the sashes tight for a good seal when locked; latch body has a 7/16" back set of the mounting holes.

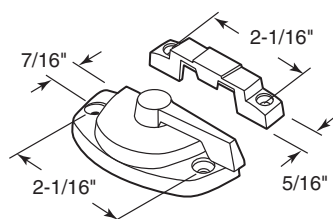


F-2669 (White)

Sash Lock

Contents: 1 lock; 1 keeper; installation screws.

Description: White diecast sash lock and keeper; cam action latch draws the sashes tight for a good seal when locked; latch body has a 7/16" back set of the mounting holes.

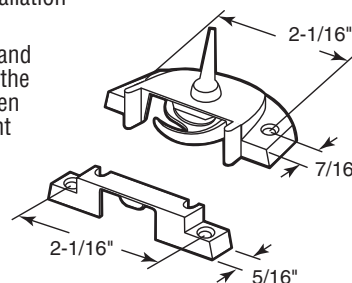


TH-23082

Sash Lock

Contents: 1 lock; 1 keeper; installation screws.

Description: Diecast sash lock and keeper; cam action latch draws the sashes tight for a good seal when locked; latch body has alignment lugs; latch body has a 7/16" back set of the mounting holes.



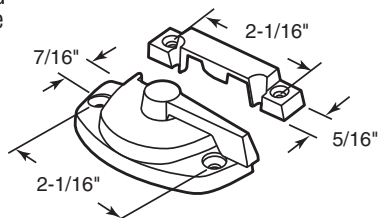
F-2633 (Brass)

F-2687 (White)

Sash Lock

Contents: 1 lock; 1 keeper; installation screws.

Description: Diecast sash lock and keeper; cam action latch draws the sashes tight for a good seal when locked; latch body has alignment lugs; latch body has a 7/16" back set of the mounting holes.



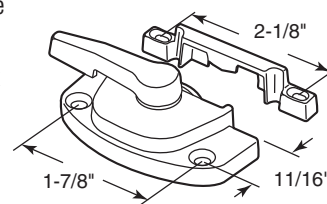
TH-23080 (Bronze)

TH-23081 (White)

Sash Lock

Contents: 1 lock; 1 keeper; installation screws.

Description: White diecast sash lock and keeper; cam action latch draws the sashes tight for a good seal when locked; latch body has alignment lugs; latch body has a 11/16" back set of the mounting holes.



F-2754

Sash Lock

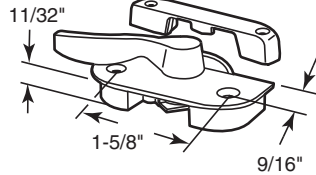
Contents: 1 lock; 1 keeper; installation screws.

Description: Diecast sash lock used on wood windows, designed to be mortised into sash rail; housing mortised 11/32" into sash.



Left Hand Shown

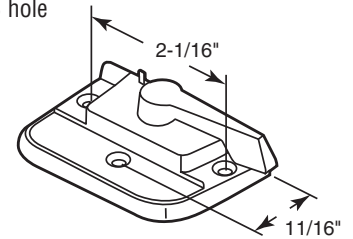
- F-2684** (Bronze - left hand)
- F-2681** (Bronze - right hand)
- F-2683** (White - left hand)
- F-2680** (White - right hand)
- F-2685** (Coppertone - left hand)
- F-2682** (Coppertone - right hand)



Sash Lock

Contents: 1 lock; installation screws.

Description: Black diecast sash lock; used on vinyl style windows; 3 hole mount design.

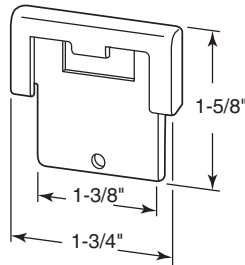


F-2807

Keeper

Contents: 2 keepers; installation screws.

Description: White; face mount keeper; diecast construction; powder coated finish.

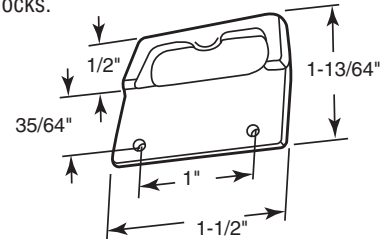


F-2792

Keeper

Contents: 2 keepers; installation screws.

Description: White diecast face mount keeper for cam style sash locks.

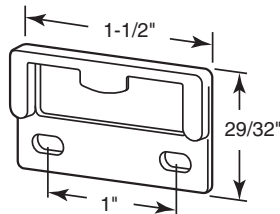


F-2738

Keeper

Contents: 2 keepers; installation screws.

Description: White diecast face mount keeper for cam style sash locks.

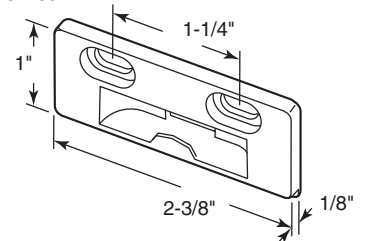


F-2791

Keeper

Contents: 2 keepers; installation screws.

Description: White face mounted keeper, heavy zinc casting; designed to mortise into vinyl double hung windows.

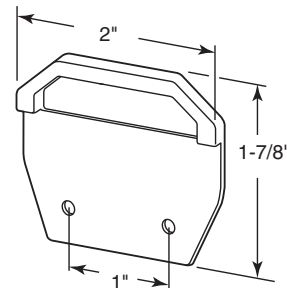


F-2786

Keeper

Contents: 2 keepers; installation screws.

Description: White diecast face mount keeper for cam style sash locks; works with locks with alignment lugs like F-2755.



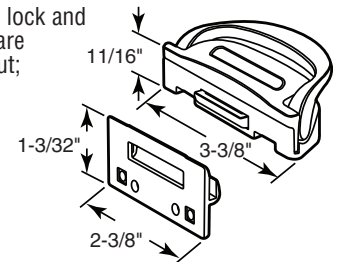
Call For Availability

- F-2789** (White)
- F-2790** (Almond)

Self Locking Latch & Keeper

Contents: 1 lock; 1 keeper; installation screws.

Description: White diecast sash lock and keeper; hidden mounting holes are 1-7/16" apart; latch will slam shut; used on vinyl windows.

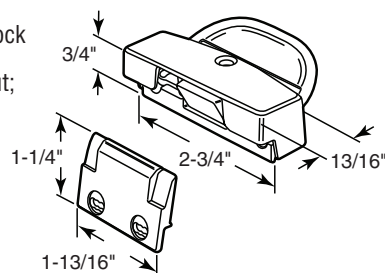


F-2740

Self Locking Latch & Keeper

Contents: 1 lock; 1 keeper; installation screws.

Description: White diecast sash lock and keeper; latch has a single mounting hole; latch will slam shut; used on vinyl windows.

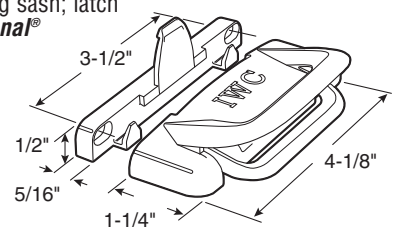


F-2731

Sash Lock

Contents: 1 lock; installation screws.

Description: White diecast sash lock; this lock does not use a keeper; latch tongue engages fixed rail of opposing sash; latch will slam shut; fits *International*® windows.

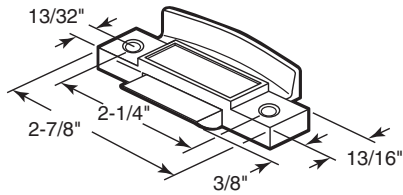


F-2686

Latch and Pull

Contents: 1 latch; installation screws.

Description: Black diecast sash lock; spring loaded; latches into fixed rail of opposing sash; latch will slam shut; retracts 1/8"; 13/32" mounting screw backset; used by several window manufacturers.

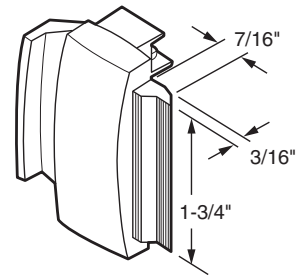


F-2607

Latch and Pull

Contents: 1 latch.

Description: Diecast sash lock; spring loaded; latches into fixed rail of opposing sash; fits **Crossly**® windows.



Call For Availability

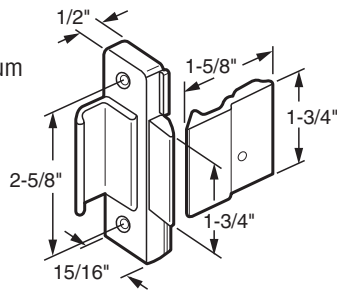
F-2529 (Gray)

F-2530 (Bronze)

Latch and Pull

Contents: 1 latch, 1 strike; installation screws.

Description: Diecast base with spring loaded extruded aluminum latch; fits **International**® windows.



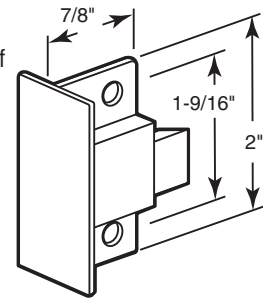
F-2517 (Aluminum)

F-2661 (Bronze)

Latch and Pull

Contents: 1 latch; installation screws.

Description: Black diecast sash lock; spring loaded; latches into fixed rail of opposing sash; fits **Window Master**® Series 216 windows.

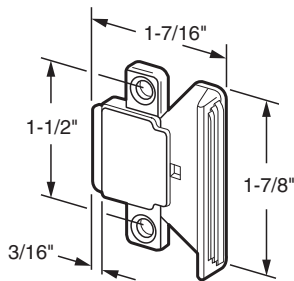


F-2611

Latch and Pull

Contents: 1 latch; installation screws.

Description: Brite zinc diecast sash lock; spring loaded; latches into fixed rail of opposing sash; used by several window manufacturers.

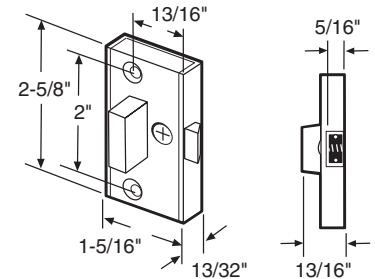


F-2507

Latch

Contents: 1 latch; installation screws.

Description: Black oxide finish; heavy-duty steel design; originally fits on **Guaranteed Products**®; spring-loaded latch projects 1/4" from edge of housing.



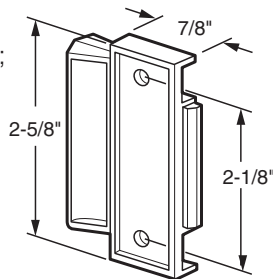
F-2597

Call For Availability

Latch and Pull

Contents: 1 pull with 2 springs; installation screws.

Description: White plastic sash lock; spring loaded; latches into fixed rail of opposing sash; used by several window manufacturers.

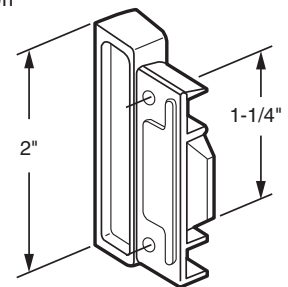


F-2505

Latch and Pull

Contents: 1 pull with spring; installation screws.

Description: Black plastic sash lock; spring loaded; latches into fixed rail of opposing sash; used by several window manufacturers.

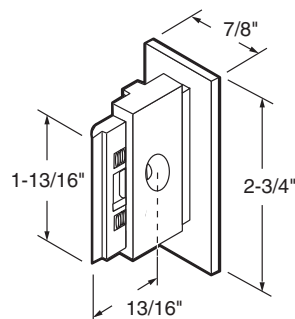


F-2518

Latch and Pull

Contents: 1 pull; installation screws.

Description: Black plastic sash lock; spring loaded; latches into fixed rail of opposing sash; fits **Rolleze**® windows.



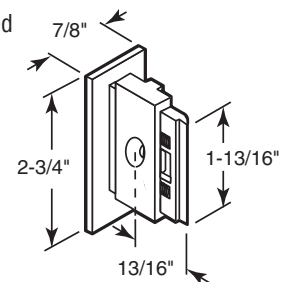
F-2553

Latch and Pull

Contents: 1 latch; installation screws.

Description: Black plastic spring-loaded latch; fits on **Rolleze**® windows.

Note: F-2553 replaces this part.



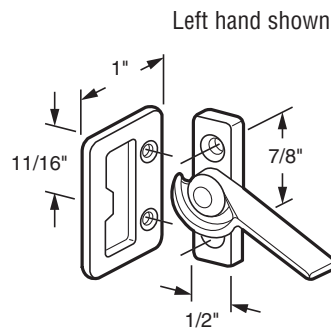
F-2506

Call For Availability

Latch

Contents: 2 latches; 2 keepers; installation screws.

Description: Diecast sash lock and keeper; brite zinc finish; used on both residential and RV sliding windows.

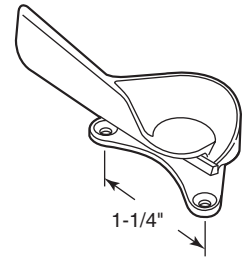


- F-2510** (Left hand)
- F-2511** (Right hand)
- F-2613** (1 Right hand, 1 left hand)

Sash Lock

Contents: 2 locks; installation screws.

Description: Nickel plated diecast sash lock; used on vertical hung windows by several manufacturers.

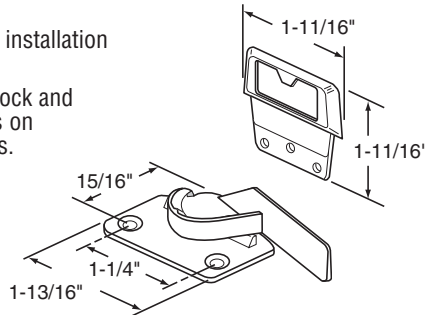


F-2652

Sash Lock

Contents: 1 lock; 1 keeper; installation screws.

Description: Diecast sash lock and keeper; brite zinc finish; fits on *Season-All*® wood windows.

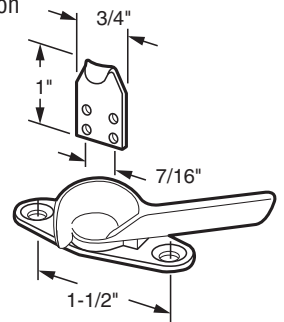


F-2609

Sash Lock

Contents: 2 locks; 2 keepers; installation screws.

Description: Diecast sash lock with stamped steel keeper; brite zinc finish; fits *Daryl*® windows.

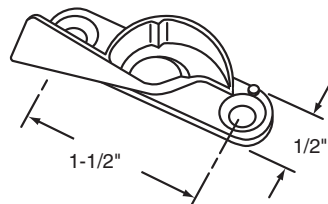


F-2509

Sash Lock

Contents: 2 locks; installation screws.

Description: Diecast sash lock; brite zinc finish; fits on single hung windows by *Keller*®.

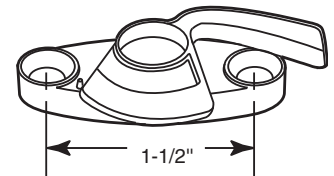


F-2644

Sash Lock

Contents: 2 locks; installation screws.

Description: Diecast sash lock; fits on windows by *Keller*®.

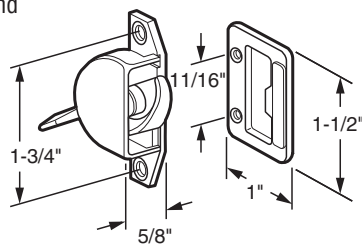


- F-2691** (Zinc)
- F-2674** (Gray)
- F-2690** (Brown)

Sash Lock

Contents: 1 lock; 1 keeper; installation screws.

Description: Diecast sash lock and keeper; brite zinc finish; used by several window manufacturers.

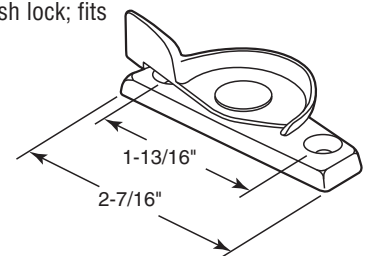


F-2508

Sash Lock

Contents: 2 locks; installation screws.

Description: Black diecast sash lock; fits *Croft*® windows.

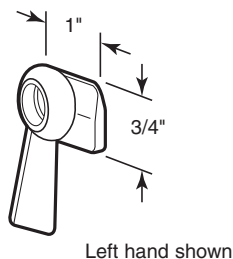


F-2593

Latch

Contents: 2 locks; 2 bushings; installation screws.

Description: Sash lock for both horizontal and vertical sliding windows; for camper shell and RV type windows.

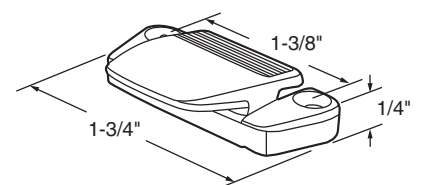


- F-2585** (Black plastic - Left hand)
- F-2586** (Black plastic - right hand)
- F-2570** (Diecast chrome - Left hand)
- F-2571** (Diecast chrome - right hand)
- F-2612** (Diecast chrome - 1 right hand & 1 left hand)

Latch and Pull

Contents: 1 latch; installation screws.

Description: Diecast sash lock; spring loaded; used by several window manufacturers.

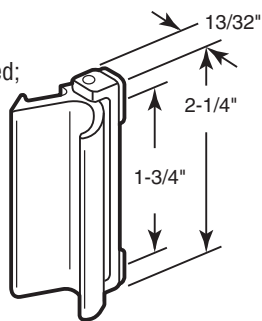


F-2748

Latch and Pull

Contents: 1 latch; installation screws.

Description: Diecast sash lock base; extruded aluminum latch; spring loaded; fits *Keller Industries*® window.

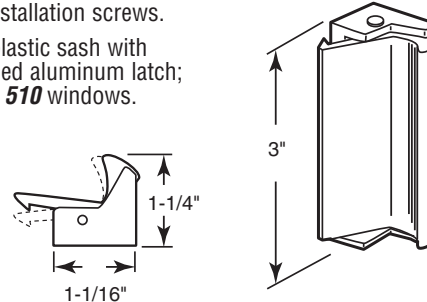


F-2572

Latch and Pull

Contents: 1 latch; installation screws.

Description: Black plastic sash with spring loaded extruded aluminum latch; fits *Premier series 510* windows.

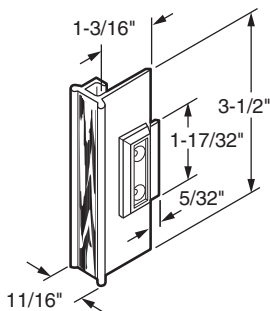


F-2580

Latch and Pull

Contents: 1 latch; installation screws.

Description: Extruded aluminum sash lock; plastic mounting bracket; steel spring; fits *Tomray's Tyco series 66* single glazed windows.

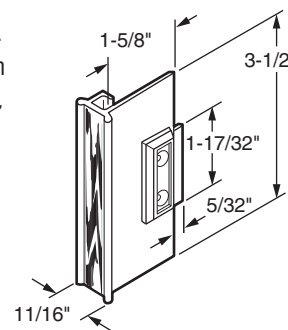


F-2543 (Aluminum)

Latch and Pull

Contents: 1 latch; installation screws.

Description: Extruded aluminum sash lock; plastic mounting bracket; steel spring; fits *Tomray's Tyco series 77* dual glazed windows.



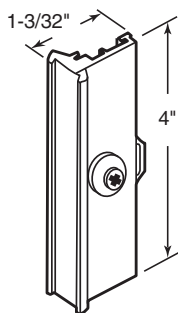
F-2545

Call For Availability

Latch and Pull

Contents: 1 pull with spring latch assembly.

Description: Extruded aluminum sash latch and pull; latches into fixed rail of opposing sash; fits *Ador-Hilite*® windows.

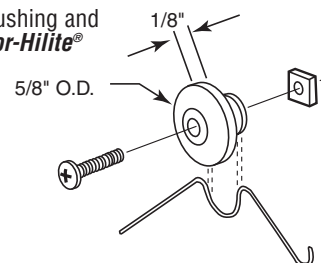


F-2500 (Aluminum)
F-2643 (Black)

Spring Latch Assembly

Contents: 2 nylon latch release buttons; 2 wire springs; installation screws.

Description: Plastic retainer bushing and spring used on the F-2500 *Ador-Hilite*® latch.

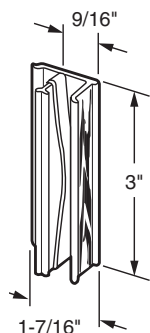


F-2501

Latch and Pull

Contents: 1 pull with spring.

Description: Extruded aluminum latch and pull; fits *International Roller King and Queen* series windows.

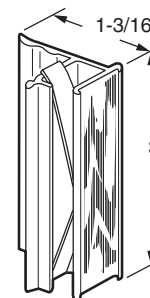


F-2521 (Aluminum)
F-2522 (Black)

Latch and Pull

Contents: 1 pull with spring.

Description: Extruded aluminum latch and pull with wood grain feature strip; self-latching spring-loaded action; fits on *Keller Industries*®.



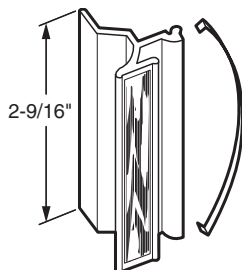
F-2541 (Aluminum)
F-2542 (Bronze)

Call For Availability

Latch and Pull

Contents: 1 pull with spring.

Description: Extruded aluminum latch and pull with wood grain feature strip; self-latching; adjustable; fits on *Daryl Industries*®.



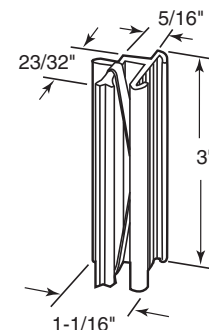
Call For Availability

F-2503

Latch and Pull

Contents: 1 pull with spring.

Description: Black plastic latch and pull; fits on *Rusco-Hilite*® windows.

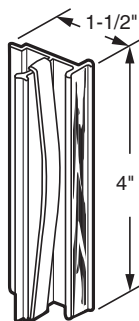


F-2502

Latch and Pull

Contents: 1 pull with spring.

Description: Extruded aluminum latch and pull; fits *International® Imperial* series windows.

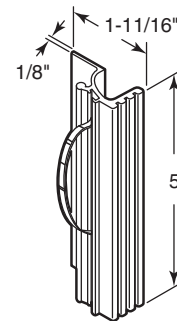


F-2523 (Aluminum) [Call For Availability](#)
F-2524 (Bronze)

Latch and Pull

Contents: 1 pull with spring.

Description: Extruded aluminum latch and pull; fits *Lupton®* windows.



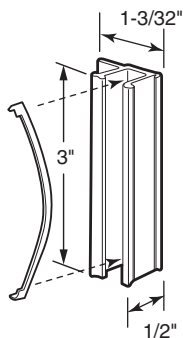
F-2519

[Call For Availability](#)

Latch and Pull

Contents: 1 pull with spring.

Description: Extruded aluminum latch and pull; fits *International® Imperial* series windows.



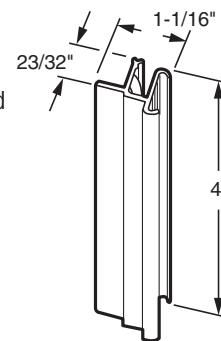
F-2647

[Call For Availability](#)

Latch and Pull

Contents: 1 pull with spring.

Description: Black plastic self-latching handle; position can be raised or lowered for convenience; fits on *Rusco-HiLite®*.

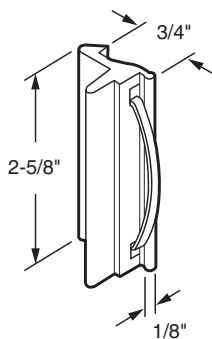


F-2525

Latch and Pull

Contents: 1 pull with spring.

Description: Black plastic latch; fits *Bee Cee®* windows.

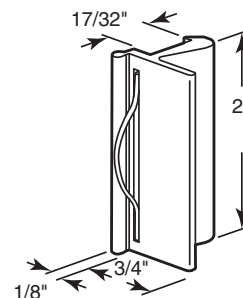


F-2548

Latch and Pull

Contents: 1 latch; 1 spring; installation screws.

Description: Black plastic latch for aluminum sliding windows; fits *Yale-Organ®* windows.

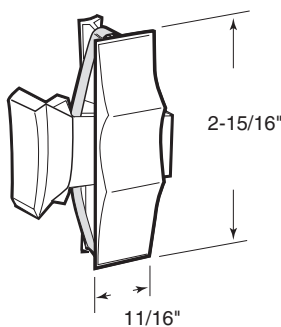


F-2692

Latch and Pull

Contents: 1 pull with spring; installation screws.

Description: Black plastic construction; spring activated latch handle; fits on *Marshall Windows®*.



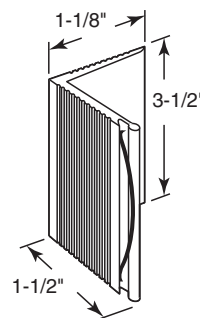
F-2575

[Call For Availability](#)

Latch and Pull

Contents: 1 pull with spring.

Description: Extruded aluminum latch and pull; self latching; spring loaded; fits on *Premiere® integral muntin* windows.

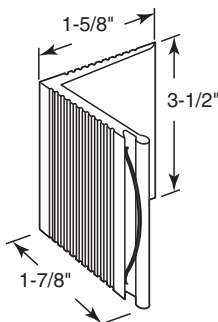


F-2577 (Aluminum)
F-2577-B (Black)
F-2577-W (White)

Latch and Pull

Contents: 1 pull with spring.

Description: Extruded aluminum latch and pull; self latching; spring loaded; fits on *Premiere® dual glazed* windows.



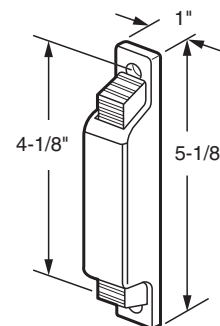
F-2578

[Call For Availability](#)

Latch and Pull

Contents: 1 pull; installation screws.

Description: Gray plastic construction; spring loaded latch; fits on *Cupples®* windows.



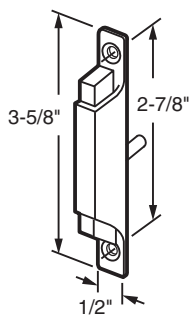
F-2528

[Call For Availability](#)

Latch and Pull

Contents: 1 pull with spring.

Description: White plastic latch activator assembly; fits *Air Control*® / *Keller*® windows.

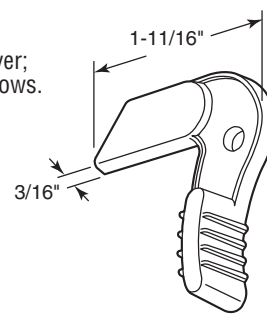


F-2504

Latch

Contents: 2 latches.

Description: Black plastic latch lever; used on manufactured home windows.

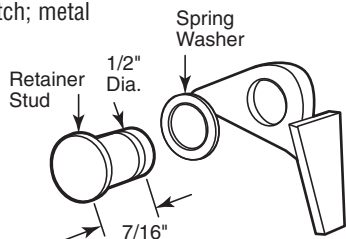


F-2772

Latch

Contents: 1 latch; 1 retainer stud; 1 spring washer.

Description: Black plastic latch; metal retainer stud. fits *Rolleze*® *710 series* windows.

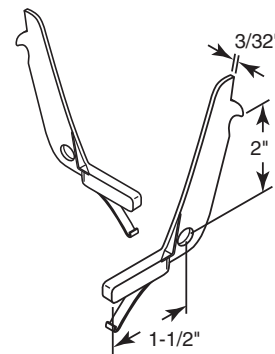


F-2608

Latch

Contents: 1 left hand and 1 right hand latch; 2 binder posts.

Description: Black plastic latches with steel springs; 1 left hand and 1 right hand; fits *Phillips Industries*® single hung windows.

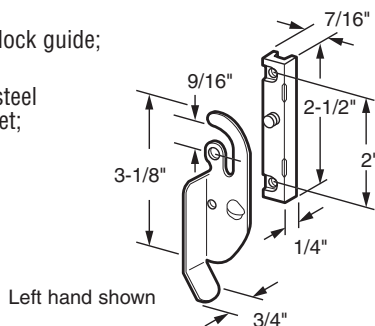


F-2623

Latch

Contents: 1 window latch; 1 lock guide; installation screw.

Description: Black stamped steel latch with plastic guide bracket; fits *Likit*® windows.

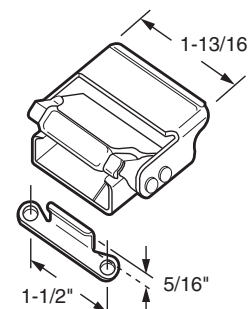


F-2513 (Left)
F-2514 (Right)

Lock

Contents: 1 lock; 1 keeper; installation screws.

Description: Steel housing and strike; bronze powder coat paint; spring-loaded retraction during latching for snug fit; fits on *Hehr*® and others.

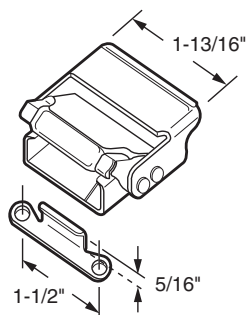


F-2515

Toggle Lock

Contents: 1 lock; 1 keeper; installation screws.

Description: Steel housing and strike; spring-loaded retraction during latching for snug fit.

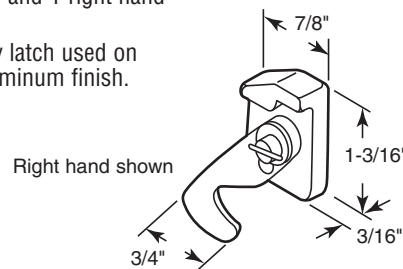


TH-23074 (Bronze)
TH-23075 (Gold)

Latch

Contents: 1 left hand and 1 right hand latch.

Description: Security latch used on awning windows; aluminum finish.

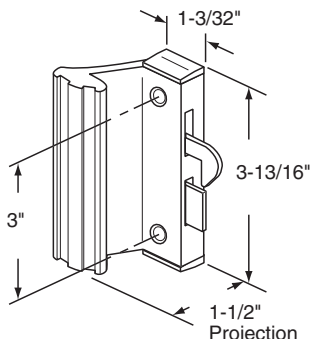


F-2675

Latch and Pull

Contents: 1 pull; installation screws.

Description: Black extruded aluminum handle; stamped steel hook latch; designed for commercial and high-rise windows.

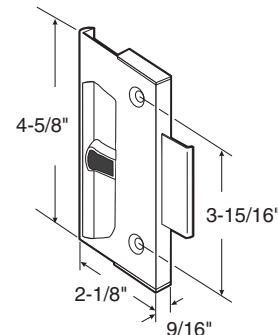


F-2641

Latch and Pull

Contents: 1 pull; installation screws.

Description: Black extruded aluminum pull handle; plastic base; stamped steel clamp latch; designed for commercial and high-rise windows.



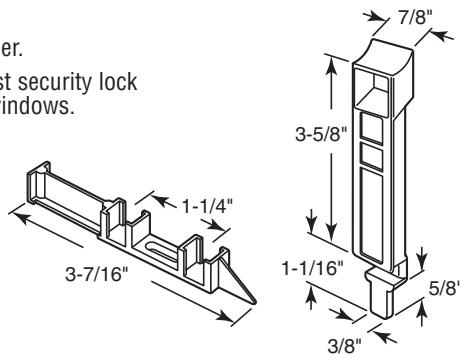
F-2610

Call For Availability

Latch and Keeper

Contents: 1 latch; 1 keeper.

Description: Black diecast security lock and keeper, fits **Acorn®** windows.

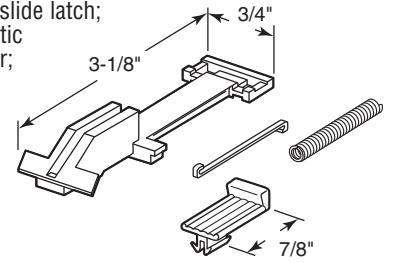


F-2703

Lower Sash Latch

Contents: 2 latches; 2 springs; 2 slide buttons; 2 spring hook retainers.

Description: White plastic slide latch; steel hook and spring; plastic snap on the thumb actuator; non-handed; used on the lower sash; fits **Traco®** windows and others.

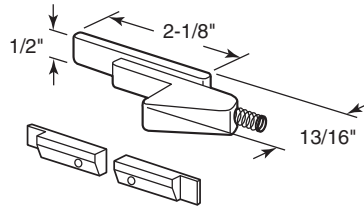


F-2614

Latch and Pull

Contents: 2 latches with springs.

Description: Black plastic latch is non-handed; fits on **Tyko® Series 75** single hung sash windows.



F-2634

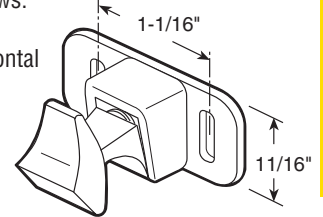
Latch

Contents: 1 latch; installation screws.

Description: White plastic latch assembly; spring-loaded; for horizontal sliding windows.



Used primarily in Canada



F-2602

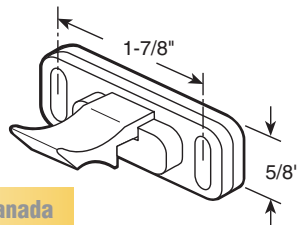
Latch

Contents: 1 latch; installation screws.

Description: White plastic latch assembly; spring-loaded; for sliding windows.



Used primarily in Canada



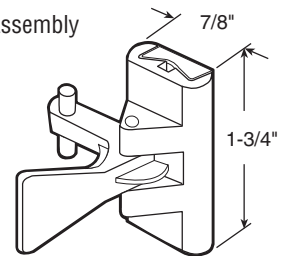
F-2606

Latch

Contents: 1 latch and keeper; installation screws.

Description: Beige plastic latch assembly for aluminum framed windows.

Call For Availability



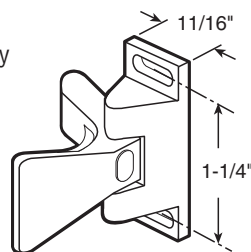
F-2604

Latch

Contents: 1 latch and keeper; installation screws.

Description: Beige plastic latch assembly for aluminum framed windows.

Call For Availability



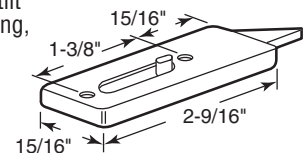
F-2603

SORTED BY HOLE SPACING

Tilt Latch

Contents: 1 left hand and 1 right hand latch.

Description: Spring-loaded, vinyl tilt latch; used on single or double-hung, aluminum or vinyl windows; for use on sash panels designed to tilt in and down from the top.



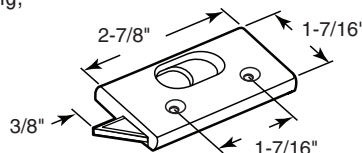
F-2737

Tilt Latch

Contents: 1 left hand and 1 right hand latch.

Description: Spring-loaded, vinyl tilt latch; used on single or double-hung, aluminum or vinyl windows; for use on sash panels designed to tilt in and down from the top.

Call For Availability



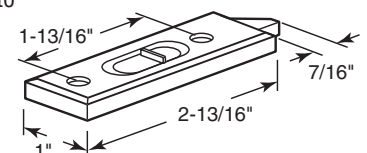
F-2698 (White)

F-2699 (Almond)

Tilt Latch

Contents: 1 left hand and 1 right hand latch.

Description: White; spring-loaded, vinyl tilt latch; used on single or double-hung, aluminum or vinyl windows; for use on sash panels designed to tilt in and down from the top.

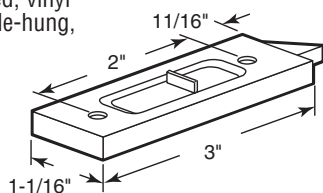


F-2830

Tilt Latch

Contents: 1 left hand and 1 right hand latch.

Description: White; spring-loaded, vinyl tilt latch; used on single or double-hung, aluminum or vinyl windows; for use on sash panels designed to tilt in and down from the top.

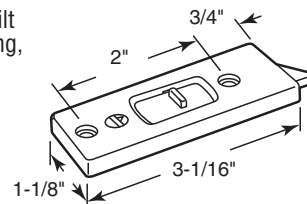


F-2598

Tilt Latch

Contents: 1 left hand and 1 right hand latch.

Description: Spring-loaded, vinyl tilt latch; used on single or double-hung, aluminum or vinyl windows; for use on sash panels designed to tilt in and down from the top; twist lock prevents accidental opening.

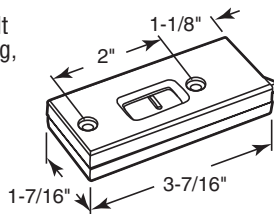


F-2810 (White)
F-2811 (Tan)

Tilt Latch

Contents: 1 left hand and 1 right hand latch.

Description: Spring-loaded, vinyl tilt latch; used on single or double-hung, aluminum or vinyl windows; for use on sash panels designed to tilt in and down from the top.

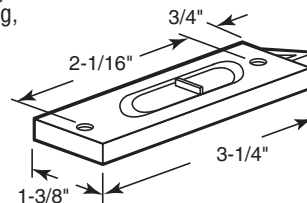


F-2808 (Black)
F-2809 (White)

Tilt Latch

Contents: 1 left hand and 1 right hand latch.

Description: White; spring-loaded, vinyl tilt latch; used on single or double-hung, aluminum or vinyl windows; for use on sash panels designed to tilt in and down from the top.

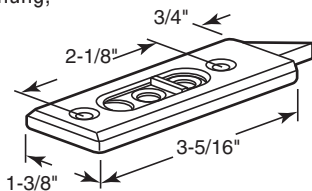


F-2722

Tilt Latch

Contents: 1 left hand and 1 right hand latch.

Description: Spring-loaded, vinyl tilt latch; used on single or double-hung, aluminum or vinyl windows; for use on sash panels designed to tilt in and down from the top.

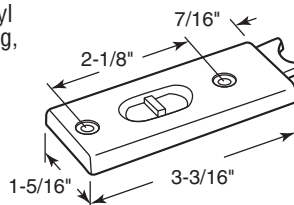


F-2728 (White)
F-2729 (Almond)
F-2730 (Brown)

Tilt Latch

Contents: 1 left hand and 1 right hand latch.

Description: White; spring-loaded, vinyl tilt latch; used on single or double-hung, aluminum or vinyl windows; for use on sash panels designed to tilt in and down from the top.

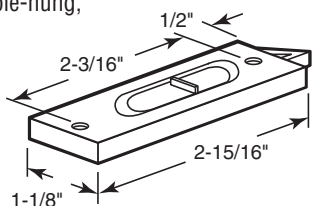


F-2816

Tilt Latch

Contents: 1 left hand and 1 right hand latch.

Description: White; spring-loaded, vinyl tilt latch; used on single or double-hung, aluminum or vinyl windows; for use on sash panels designed to tilt in and down from the top.

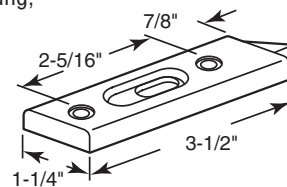


F-2627

Tilt Latch

Contents: 1 left hand and 1 right hand latch.

Description: White; spring-loaded, vinyl tilt latch; used on single or double-hung, aluminum or vinyl windows; for use on sash panels designed to tilt in and down from the top.

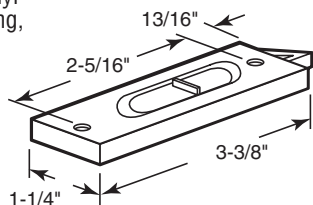


F-2725 (Black)
F-2724 (White)
F-2727 (Almond)

Tilt Latch

Contents: 1 left hand and 1 right hand latch.

Description: White; spring-loaded, vinyl tilt latch; used on single or double-hung, aluminum or vinyl windows; for use on sash panels designed to tilt in and down from the top.

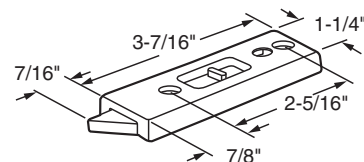


F-2599

Tilt Latch

Contents: 1 left hand and 1 right hand latch.

Description: Spring-loaded, vinyl tilt latch; used on single or double-hung, aluminum or vinyl windows; for use on sash panels designed to tilt in and down from the top; twist lock prevents accidental opening.

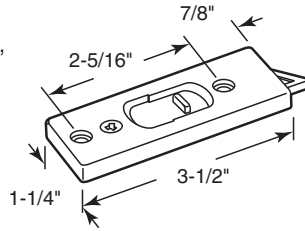


F-2697 (Black)
F-2696 (Almond)

Tilt Latch

Contents: 1 left hand and 1 right hand latch.

Description: White; spring-loaded, vinyl tilt latch; used on single or double-hung, aluminum or vinyl windows; for use on sash panels designed to tilt in and down from the top; twist lock prevents accidental opening.

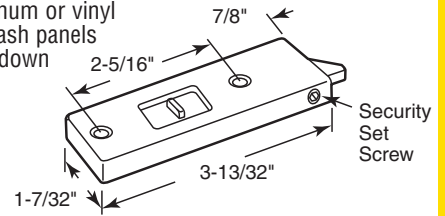


F-2801

Tilt Latch

Contents: 1 left hand and 1 right hand latch.

Description: Cast white bronze; spring-loaded, tilt latch; used on single or double-hung, aluminum or vinyl windows; for use on sash panels designed to tilt in and down from the top.

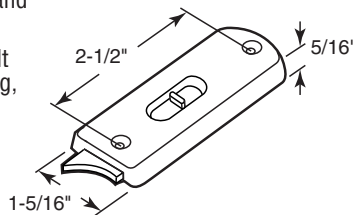


F-2831

Tilt Latch

Contents: 1 left hand and 1 right hand latch.

Description: Spring-loaded, vinyl tilt latch; used on single or double-hung, aluminum or vinyl windows; for use on sash panels designed to tilt in and down from the top.



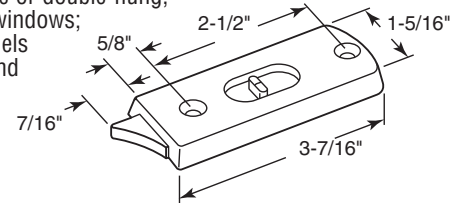
F-2695 (Black)
F-2693 (White)
F-2694 (Almond)

Call For Availability

Tilt Latch

Contents: 1 left hand and 1 right hand latch.

Description: Spring-loaded, vinyl tilt latch; used on single or double-hung, aluminum or vinyl windows; for use on sash panels designed to tilt in and down from the top.

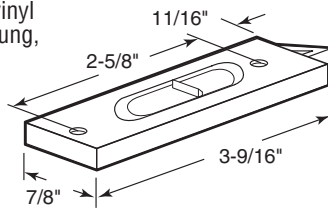


F-2828 (Black)
F-2829 (White)

Tilt Latch

Contents: 1 left hand and 1 right hand latch.

Description: White; spring-loaded, vinyl tilt latch; used on single or double-hung, aluminum or vinyl windows; for use on sash panels designed to tilt in and down from the top.

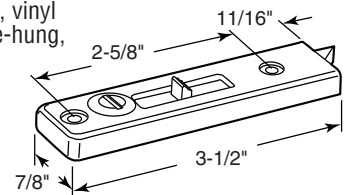


F-2671

Tilt Latch

Contents: 1 left hand and 1 right hand latch.

Description: Black; spring-loaded, vinyl tilt latch; used on single or double-hung, aluminum or vinyl windows; for use on sash panels designed to tilt in and down from the top; twist lock prevents accidental opening.



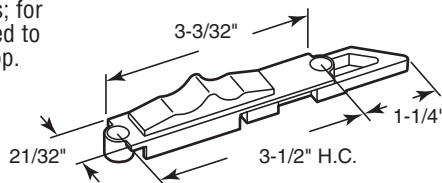
F-2735

Call For Availability

Tilt Latch

Contents: 1 left hand and 1 right hand latch.

Description: White; spring-loaded, vinyl tilt latch; used on single or double-hung, aluminum or vinyl windows; for use on sash panels designed to tilt in and down from the top.

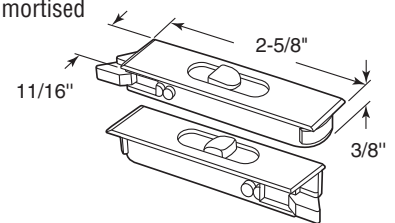


F-2832

Tilt Latch

Contents: 1 left hand and 1 right hand latch.

Description: White plastic tilt latch; spring loaded; designed for mortised installation.

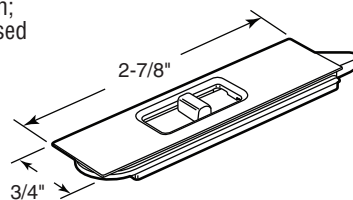


F-2749

Tilt Latch

Contents: 1 left hand and 1 right hand latch.

Description: White plastic tilt latch; spring loaded; designed for mortised installation.

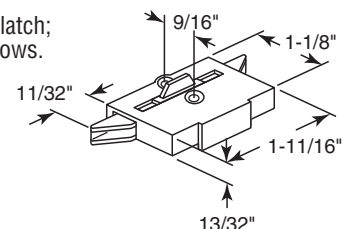


F-2734

Tilt Latch

Contents: 1 left hand and 1 right hand latch.

Description: Black plastic tilt latch; non-handed; fits Acorn® windows.

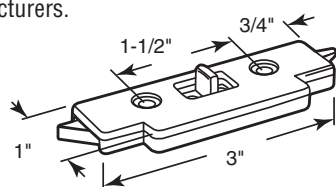


F-2645

Tilt Latch

Contents: 2 latches.

Description: Non-handed tilt latch; black finish; used by several manufacturers.

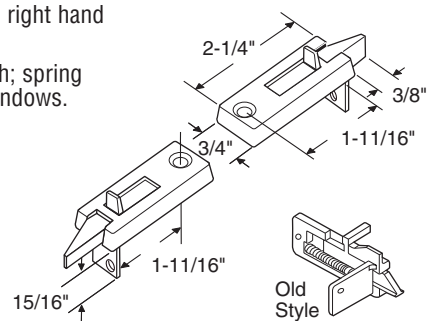


F-2815

Tilt Latch

Contents: 1 left hand and 1 right hand latch.

Description: Plastic tilt latch; spring loaded; fits **Better Built**® windows.

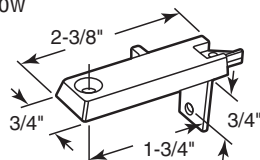


F-2628 (Black)
F-2642 (White)

Tilt Latch

Contents: 1 left hand and 1 right hand latch.

Description: White plastic tilt latch; spring loaded; used by several window manufacturers.



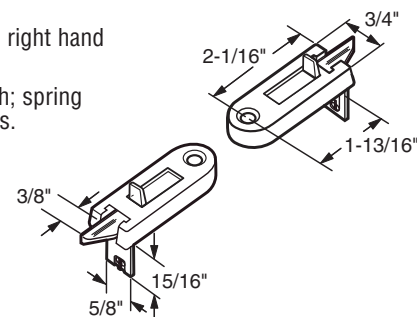
Right Hand Shown

F-2814

Tilt Latch

Contents: 1 left hand and 1 right hand latch.

Description: Plastic tilt latch; spring loaded; fits **Keller**® windows.

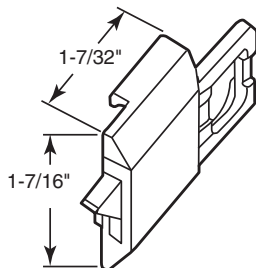


F-2660 (Black)
F-2788 (White)

Tilt Latch

Contents: 2 latches.

Description: Black plastic tilt latch; fits **Keller**® windows.

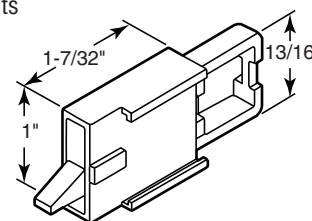


F-2769

Tilt Latch

Contents: 1 left hand and 1 right hand latch.

Description: Black plastic tilt latch; fits **Binnings**® windows.

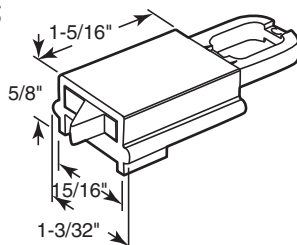


F-2770

Tilt Latch

Contents: 2 latches.

Description: Black vinyl window tilt latch; spring loaded; used by several window manufacturers.

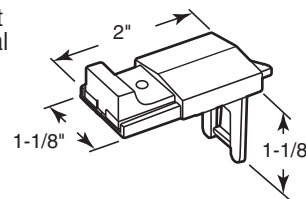


F-2813

Tilt Latch

Contents: 1 left hand and 1 right hand latch.

Description: White vinyl window tilt latch; spring loaded; used by several window manufacturers.

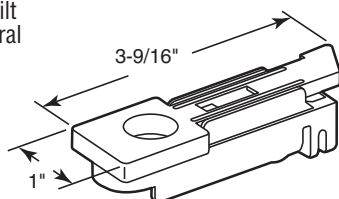


F-2812

Tilt Latch

Contents: 1 left hand and 1 right hand latch.

Description: White vinyl window tilt latch; spring loaded; used by several window manufacturers.

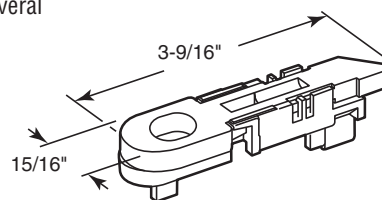


F-2821

Tilt Latch

Contents: 1 left hand and 1 right hand latch.

Description: Tan vinyl window tilt latch; spring loaded; used by several window manufacturers.

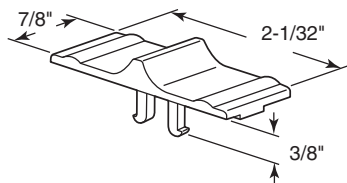


F-2822

Tilt Slide Button

Contents: 1 button.

Description: White plastic activation button used on mortise style tilt latches similar to F-2822; fits **Harvey®** windows.

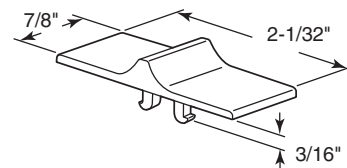


F-2825

Tilt Slide Button

Contents: 1 button.

Description: White plastic activation button used on mortise style tilt latches.



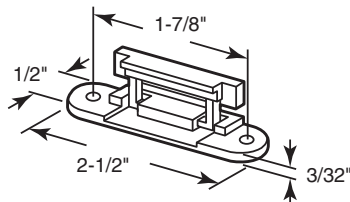
F-2826 (Brown)

F-2827 (Beige)

Weep Hole Cover

Contents: 4 covers.

Description: White plastic weep hole cover for vinyl windows; screw mounted.

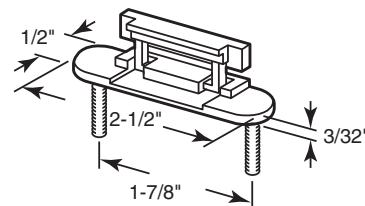


F-2794

Weep Hole Cover

Contents: 4 covers.

Description: White plastic weep hole cover for vinyl windows; press fit.

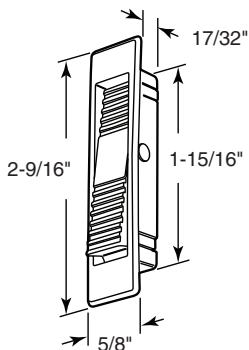


F-2793

Vent Stop

Contents: 2 stops.

Description: White stop for single or double hung vinyl windows; fits 9/16" x 1" cutout; snap-in design.

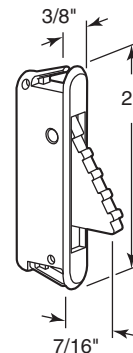


F-2736

Vinyl Window Limit Latch

Contents: 2 latches.

Description: White stop for single or double hung vinyl windows; fits 9/16" x 1" cutout; snap-in design.

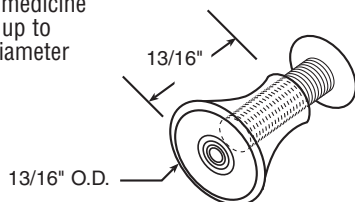


F-2824

Acrylic Knob

Contents: 2 knobs.

Description: Clear knob used on sliding pass-thru windows and sliding medicine cabinet panels; accommodates up to a 1/4" thick panel; fits a 9/32" diameter hole.

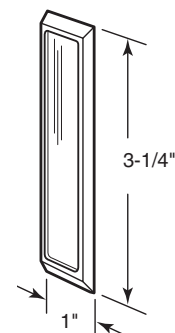


F-2616

Pass-Thru Finger Pull

Contents: 2 pulls.

Description: Adhesive-backed plastic handle; easy installation; universal application.



F-2549 (Clear)

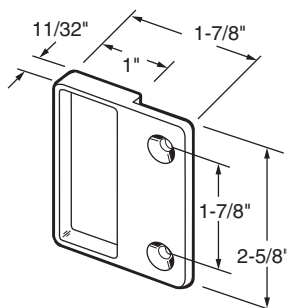
F-2550 (Black)

F-2551 (Gold)

Pull

Contents: 1 pull; installation screws.

Description: Black plastic construction; universal application; can be used as a secondary pull or a child's pull.



F-2547

Call For Availability

INDEX - Sliding Window Rollers & Guides

Part No.	Page No.	Description	Package Quantity	Standard Pack
G-3000	G-6	Roller Assembly	2	6
G-3001 (Nylon roller)	G-6	Roller Assembly	2	6
G-3002 (Nylon roller)	G-7	Roller Assembly	2	6
G-3003 (Nylon roller)	G-7	Roller Assembly	4	6
G-3004	G-7	Roller Assembly	4	6
G-3005	G-8	Roller Assembly	4	6
G-3006	G-16	Roller Assembly	1	6
G-3007	G-16	Roller Assembly	1	6
G-3008	G-13	Roller and Guide Assembly	2	6
G-3009	G-11	Roller Assembly	2	6
G-3010	G-13	Roller Assembly	2	6
G-3011	G-9	Roller Assembly	2	6
G-3012	G-12	Roller Assembly	2	6
G-3013	G-12	Roller Assembly	4	6
G-3014 (Nylon ball bearing)	G-18	Roller Assembly	2	6
G-3015 (Steel)	G-2	Roller	4	6
G-3016	G-2	Roller	4	6
G-3017	G-2	Roller	8	6
G-3018	G-1	Roller	4	6
G-3019	G-1	Roller	4	6
G-3020	G-1	Roller	4	6
G-3021	G-24	Corner Insert & Roller	2	6
G-3022	G-23	Corner Insert	8	6
G-3022B	G-23	Corner Insert	100	1
G-3023	G-23	Corner Insert	4	6
G-3024	G-23	Corner Insert	4	6
G-3024B	G-23	Corner Insert	100	1
G-3025	G-19	Top Guide	4	6
G-3026	G-19	Top Guide	6	6
G-3027	G-19	Top Guide	4	6
G-3028	G-20	Top Guide	4	6
G-3029	G-22	Guide	4	6
G-3030 (Nylon roller)	G-9	Roller Assembly	4	6
G-3031	G-2	Roller	4	6
G-3032	G-8	Roller Assembly	4	6
G-3033	G-3	Roller	4	6
G-3034	G-3	Roller	4	6
G-3035	G-5	Roller Assembly	2	6
G-3036	G-1	Roller	4	6
G-3037	G-9	Roller Assembly	4	6
G-3038 (Steel roller)	G-9	Roller Assembly	4	6
G-3039	G-5	Roller Assembly	2	6
G-3040	G-1	Roller	4	6
G-3041	G-5	Roller Assembly	2	6
G-3042	G-5	Roller Assembly	2	6
G-3043	G-15	Roller Assembly	2	6
G-3044	G-12	Roller Assembly	2	6
G-3045	G-15	Roller Assembly	2	6
G-3046	G-16	Roller Assembly	2	6
G-3047	G-13	Roller Assembly	2	6
G-3048	G-14	Roller Assembly	2	6
G-3049	G-14	Roller Assembly	2	6
G-3050	G-10	Roller Assembly	4	6
G-3051	G-5	Roller Assembly	2	6
G-3052 (5/8" diameter x 3/16" thick)	G-6	Roller Assembly	2	6

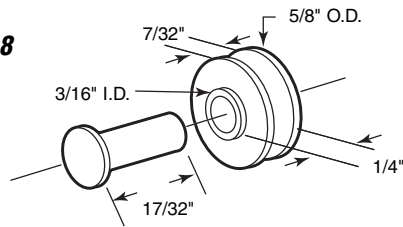
INDEX - Sliding Window Rollers & Guides

Part No.	Page No.	Description	Package Quantity	Standard Pack
G-3053	G-5	Roller Assembly	2	6
G-3055	G-10	Roller Assembly	2	6
G-3056	G-10	Roller Assembly	2	6
G-3057	G-23	Corner Insert	8	6
G-3058	G-14	Roller Assembly	2	6
G-3059	G-14	Roller Assembly	2	6
G-3060	G-2	Roller	4	6
G-3061	G-11	Roller Assembly	2	6
G-3062	G-19	Top Guide	4	6
G-3063	G-19	Top Guide	4	6
G-3064	G-12	Roller Assembly	2	6
G-3065	G-13	Roller Assembly	2	6
G-3066 (Nylon roller)	G-15	Roller Assembly	2	6
G-3067 (Aluminum finish)	G-9	Roller Assembly	2	6
G-3068 (Bronze finish)	G-9	Roller Assembly	2	6
G-3069	G-20	Top Guide	4	6
G-3070	G-21	Bottom Glide	4	6
G-3071	G-16	Roller Assembly	2	6
G-3072	G-14	Roller Assembly	2	6
G-3073	G-1	Roller	2	6
G-3075 (Steel roller)	G-7	Roller Assembly	2	6
G-3076 (Steel roller)	G-7	Roller Assembly	2	6
G-3077 (Nylon roller)	G-8	Roller Assembly	2	6
G-3078	G-23	Corner Guide Set	1 set	6
G-3078A (Top Left)	G-23	Corner Guide	100	1
G-3078B (Top Right)	G-23	Corner Guide	100	1
G-3078C (Bottom Left)	G-23	Corner Guide	100	1
G-3078D (Bottom Right)	G-23	Corner Guide	100	1
G-3079	G-22	Guide and Bumper	4	6
G-3080	G-22	Guide	4	6
G-3081	G-21	Bottom Glide	4	6
G-3082	G-3	Roller	2	6
G-3083	G-8	Roller Assembly	2	6
G-3084 (1/16" guide leg)	G-8	Roller Assembly	2	6
G-3085 (1/8" guide leg)	G-8	Roller Assembly	2	6
G-3086 (Nylon roller)	G-13	Roller Assembly	2	6
G-3087 (Nylon roller)	G-5	Roller Assembly	2	6
G-3088	G-8	Roller Assembly	2	6
G-3089	G-13	Roller Assembly	2	6
G-3090	G-2	Roller	2	6
G-3091 (Brass roller)	G-15	Roller Assembly	2	6
G-3092	G-4	Roller Assembly	2	6
G-3093	G-4	Roller Assembly	2	6
G-3094 (Nylon roller)	G-4	Roller Assembly	2	6
G-3095 (Steel roller)	G-4	Roller Assembly	2	6
G-3096	G-21	Bottom Glide	4	6
G-3097	G-15	Roller Assembly	2	6
G-3098 (Stainless steel)	G-2	Roller	4	6
G-3099	G-18	Roller Assembly	1	6
G-3100	G-21	Bottom Glide	4	6
G-3101	G-3	Roller	2	6
G-3102	G-6	Roller Assembly	2	6
G-3103	G-20	Top Guide	4	6
G-3104	G-21	Bottom Glide	2	6
G-3105	G-3	Roller and Axle Screw	2	6

INDEX - Sliding Window Rollers & Guides

Part No.	Page No.	Description	Package Quantity	Standard Pack
G-3106	G-10	Roller Assembly	2	6
G-3107	G-15	Roller Assembly	2	6
G-3108	G-11	Roller Assembly	2	6
G-3109	G-14	Roller Assembly	2	6
G-3110	G-20	Bottom Guide	2	6
G-3112	G-12	Roller Assembly	2	6
G-3113	G-22	Guide	4	6
G-3114	G-21	Bottom Guide	4	6
G-3115	G-22	Guide	6	6
G-3116	G-3	Roller	2	6
G-3117	G-23	"Alenco" Repair Kit	1 kit	6
G-3118	G-18	Roller Assembly	2	6
G-3119	G-16	Roller Assembly	2	6
G-3121	G-11	Roller Assembly	2	6
G-3122 (Brass roller)	G-13	Roller Assembly	2	6
G-3123	G-4	Roller Assembly	2	6
G-3124	G-7	Roller Assembly	2	6
G-3125	G-4	Roller Assembly	2	6
G-3126	G-11	Roller Assembly	2	6
G-3127	G-15	Roller Assembly	2	6
G-3128	G-4	Roller Assembly	2	6
G-3129	G-18	Roller Assembly	2	6
G-3130	G-17	Roller Assembly	2	6
G-3131	G-17	Roller Assembly	2	6
G-3132	G-17	Roller Assembly	2	6
G-3133 (Steel ball bearing)	G-18	Roller Assembly	2	6
G-3134	G-16	Roller Assembly	2	6
G-3135	G-6	Roller Assembly	2	6
G-3136	G-17	Roller Assembly (Left and right)	2	6
G-3137	G-7	Roller Assembly	2	6
G-3138	G-7	Roller Assembly	2	6
G-3141	G-20	Top Guide	4	6
G-3142	G-22	Guide	4	6
G-3143	G-11	Roller Assembly	2	6
G-3144 (Nylon roller)	G-9	Roller Assembly	2	6
G-3146	G-18	Roller Assembly	2	6
G-3147	G-10	Roller Assembly	2	6
G-3151	G-10	Roller Assembly	2	6
G-3152 (3/4" diameter x 1/4" thick)	G-6	Roller Assembly	2	6
G-3153 (Brass roller)	G-9	Roller Assembly	2	6
G-3154	G-20	Top Guide	4	6
G-3155	G-24	Corner Insert	4	6
G-3156 (Brass roller)	G-8	Roller Assembly	2	6
G-3158	G-18	Roller Assembly	2	6
G-3159	G-17	Roller Assembly	2	6
G-3160	G-17	Roller Assembly	2	6
G-3166	G-19	Roller Assembly	2	6
G-3167	G-10	Roller Assembly	2	6
G-3169	G-11	Roller Assembly	2	6

G-3018



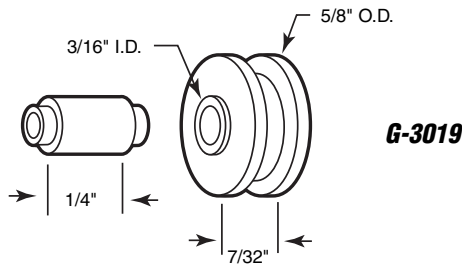
G-3018

Roller

Contents: 4 rollers; 4 axle pins.

Description: 7/32" x 5/8" center grooved nylon roller; aluminum rivet type axle pins; fits on *Air Control*.

You may wish to stock these related parts: **F-2504, F-2541.**



G-3019

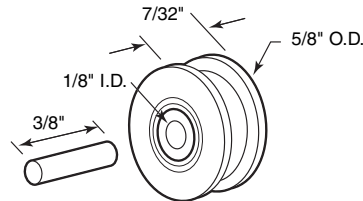
Roller

Contents: 4 rollers; 4 axle pins.

Description: 7/32" x 5/8" center-grooved nylon roller; aluminum axle pins; repair part for **G-3021**; fits on *Trimview*.

You may wish to stock these related parts: **G-3020.**

G-3020



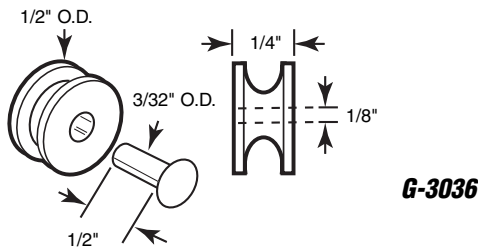
G-3020

Roller

Contents: 4 rollers; 4 axle pins.

Description: 7/32" x 5/8" center-grooved nylon ball bearing roller; aluminum axle pins; repair part for **G-3021**; fits on *Trimview*.

You may wish to stock these related parts: **G-3019.**



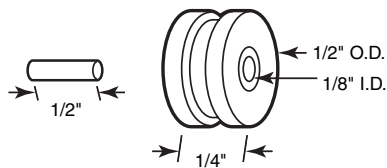
G-3036

Roller

Contents: 4 rollers; 4 axle pins.

Description: 1/4" x 1/2" nylon roller; deep center groove; accepts a 1/8" rivet style axle; used by several sliding window manufacturers.

G-3040

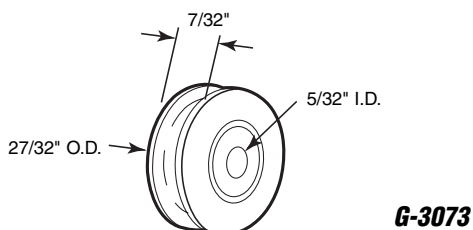


G-3040

Roller

Contents: 4 rollers; 4 axle pins.

Description: 1/4" x 1/2" nylon roller with center groove; aluminum axle pins; used by several sliding window manufacturers.



G-3073

Roller

Contents: 2 rollers.

Description: 7/32" x 27/32" diameter steel ball bearing roller with center groove; used on sliding aluminum windows.

You may wish to stock these related parts: **G-3014.**

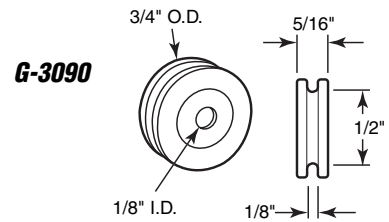
Sliding Window Rollers & Guides

G-3090

Roller

Contents: 2 rollers.

Description: 5/16" x 3/4" nylon roller; 1/8" narrow groove; fits on *Ralley* windows.



G-3015 (Steel)

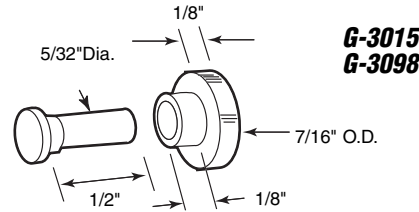
G-3098 (Stainless steel)

Roller

Contents: 4 rollers; 4 axle pins.

Description: 1/8" x 7/16" flat steel roller; nylon axle pins; fits on *Premiere*.

You may wish to stock these related parts: **G-3060**, **G-3088**, **G-3136**.



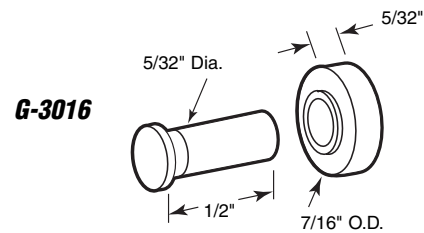
G-3016

Roller

Contents: 4 rollers; 4 axle pins.

Description: 5/32" x 7/16" flat nylon roller; nylon axle pins; fits on *HiLite*.

You may wish to stock these related parts: **F-2500**, **F-2502**, **F-2525**.

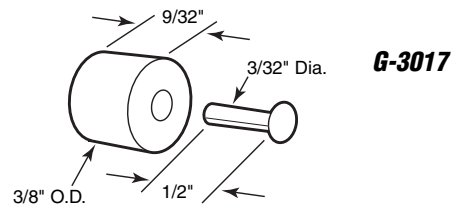


G-3017

Roller

Contents: 8 rollers; 8 axle pins.

Description: 9/32" x 3/8" flat nylon roller; aluminum rivet style axle pins; repair part for **G-3005**.



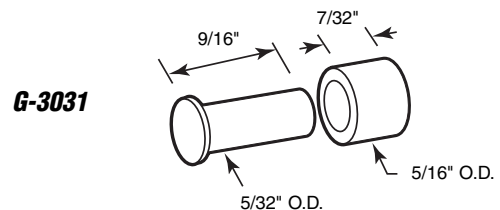
G-3031

Roller

Contents: 4 rollers; 4 axle pins.

Description: 5/16" x 7/32" flat nylon roller; nylon axle pins; fits on *Radco*.

You may wish to stock these related parts: **G-3028**, **G-3029**, **G-3030**, **G-3062**, **G-3153**.



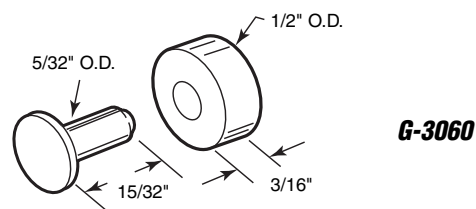
G-3060

Roller

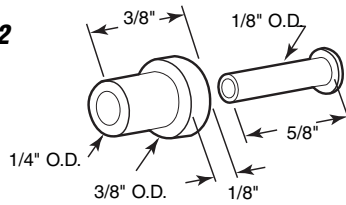
Contents: 4 rollers; 4 axle pins.

Description: 3/16" x 1/2" flat steel roller; nylon axle pins; fits on *Western*, *Premiere* and *Keller* windows.

You may wish to stock these related parts: **F-2541**, **F-2542**, **G-3088**.



G-3082



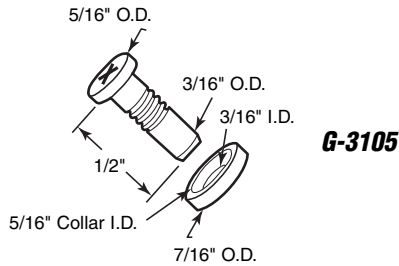
G-3082

Roller

Contents: 2 rollers; 2 axles.

Description: 1/8" x 3/8" steel roller; rivet style steel axles; fits on *Fullview* windows.

You may wish to stock these related parts: **F-2553, G-3009, G-3010, G-3011, G-3026.**



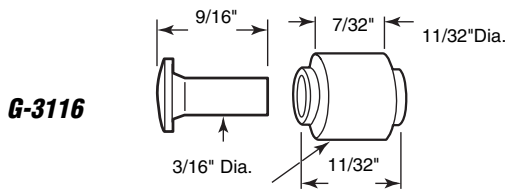
G-3105

Roller and Axle Screw

Contents: 2 axle screws; 2 roller bushings.

Description: Steel axle screw with nylon roller; fits on *Rolleze* windows.

You may wish to stock these related parts: **F-2553, F-2608, G-3065.**

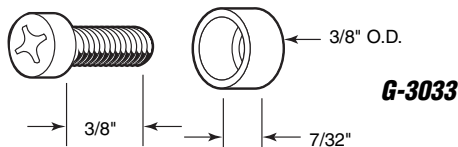


G-3116

Roller

Contents: 2 rollers; 2 axles.

Description: Solid brass rollers with nylon axles; fits on *Viking Series M70* windows.



G-3033

Roller

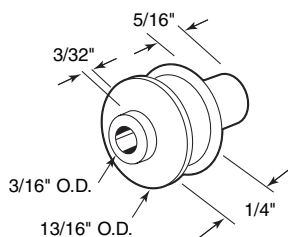
Contents: 4 rollers; 4 no. 8-32 x 3/8" Phillips pan head machine screws.

Description: Nylon roller assembly; fits on *C & P Window*.

You may wish to stock these related parts: **F-2520, G-3032.**

Call for Availability

G-3034



G-3034

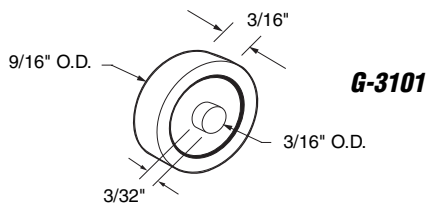
Roller

Contents: 4 rollers.

Description: 1/4" x 13/16" nylon roller; extended hub; fits on *Cupples* windows.

You may wish to stock these related parts: **F-2528.**

Call for Availability



G-3101

Roller

Contents: 2 rollers.

Description: 3/16" x 9/16" steel ball bearing roller; replacement roller for *G-3072*; fits on *Thermo Glide, Bee Cee* and others.

You may wish to stock these related parts: **G-3047, G-3056.**

Sliding Window Rollers & Guides

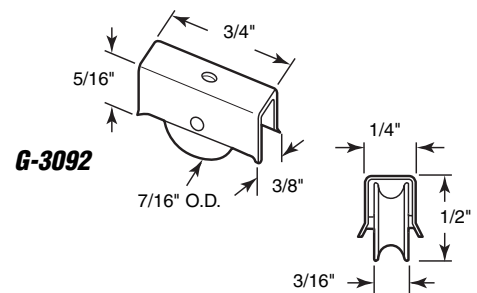
G-3092

Roller Assembly

Contents: 2 roller assemblies.

Description: Stamped steel housing with 7/16" diameter center groove nylon roller; used on sliding storm windows and showcase windows.

You may wish to stock these related parts: **G-3035, G-3087, G-3093, G-3094, G-3095.**



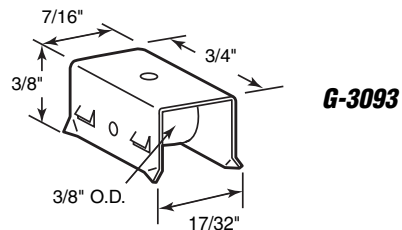
G-3093

Roller Assembly

Contents: 2 roller assemblies.

Description: Stamped steel housing with 3/8" diameter convex nylon roller; used on sliding storm windows and showcase windows.

You may wish to stock these related parts: **G-3035, G-3087, G-3092, G-3094, G-3095.**



G-3094 (Nylon roller)

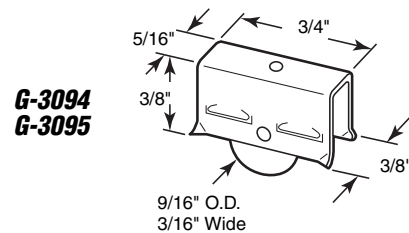
G-3095 (Steel roller)

Roller Assembly

Contents: 2 roller assemblies.

Description: Stamped steel housing with 9/16" diameter center groove roller; used on sliding storm windows and showcase windows.

You may wish to stock these related parts: **G-3035, G-3041, G-3087, G-3092, G-3093.**



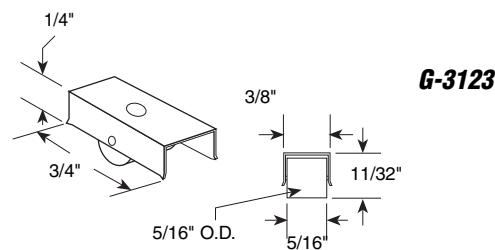
G-3123

Roller Assembly

Contents: 2 roller assemblies.

Description: Stamped steel housing with 5/16" diameter flat edge nylon roller; used on sliding storm windows and showcase windows.

You may wish to stock these related parts: **G-3035, G-3087, G-3092, G-3094, G-3095.**



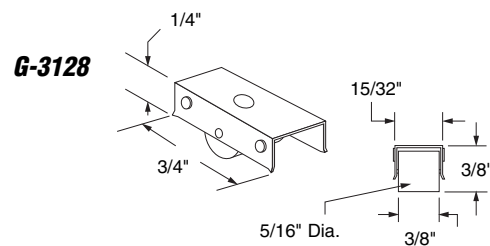
G-3128

Roller Assembly

Contents: 2 roller assemblies.

Description: Stamped steel housing; flat edge nylon roller; used on sliding windows and showcase doors.

You may wish to stock these related parts: **G-3035, G-3087, G-3092, G-3093, G-3095.**



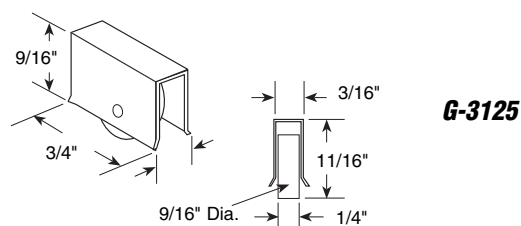
G-3125

Roller Assembly

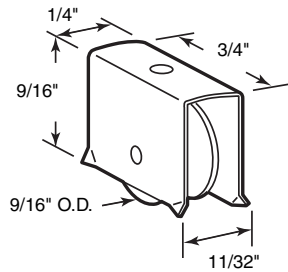
Contents: 2 roller assemblies.

Description: Stamped steel housing with 9/16" diameter flat edge nylon roller; used on sliding storm windows and showcase windows.

You may wish to stock these related parts: **G-3035, G-3087, G-3093, G-3094, G-3095.**



G-3035
G-3087



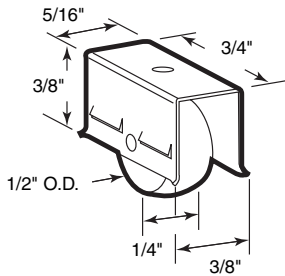
G-3035 (Steel roller)
G-3087 (Nylon roller)

Roller Assembly

Contents: 2 roller assemblies.

Description: Stamped steel housing with 9/16" diameter concave roller; used on sliding windows and showcase windows.

You may wish to stock these related parts: **F-2549**, **F-2550**, **F-2551**.



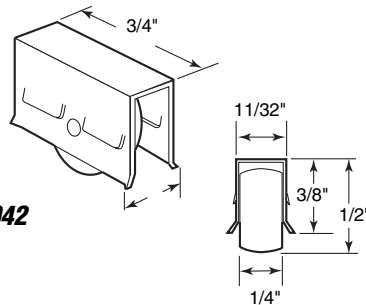
G-3041

G-3041

Roller Assembly

Contents: 2 roller assemblies.

Description: Stamped steel housing; 1/4" x 1/2" convex nylon roller.



G-3042

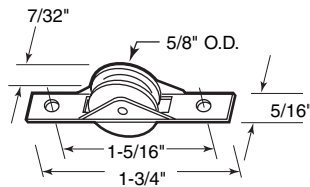
G-3042

Roller Assembly

Contents: 2 roller assemblies.

Description: Extruded aluminum housing; flat edge steel roller.

*Call for
Availability*



G-3039

G-3039

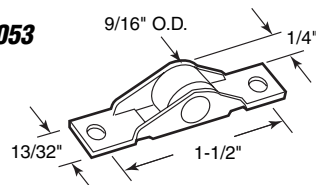
Roller Assembly

Contents: 2 roller assemblies.

Description: Stamped steel housing; concave nylon roller; fits on *Fullview* windows.

You may wish to stock these related parts: **F-2553**.

G-3053

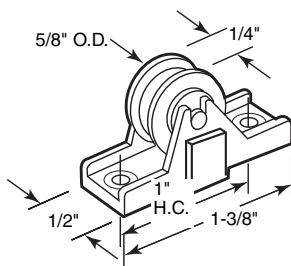


G-3053

Roller Assembly

Contents: 2 roller assemblies.

Description: Steel housing with 9/16" diameter flat edge nylon roller; used on sliding storm and showcase windows.



G-3051

G-3051

Roller Assembly

Contents: 2 roller assemblies.

Description: Nylon housing; center-grooved steel ball bearing roller; used by several window manufacturers.

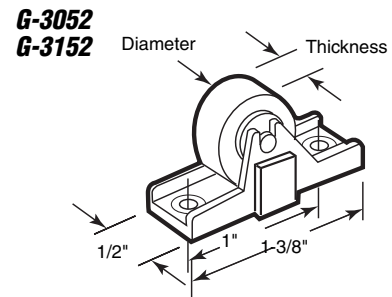
Sliding Window Rollers & Guides

G-3052 (Steel - 5/8" diameter x 3/16" thick)
G-3152 (Nylon - 3/4" diameter x 1/4" thick)

Roller Assembly

Contents: 2 roller assemblies.

Description: Nylon housing; flat edge roller; used by several window manufacturers.



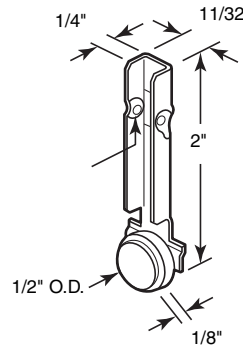
G-3000

Roller Assembly

Contents: 2 roller assemblies.

Description: Aluminum bracket with 1/8" x 1/2" flat edge nylon roller; fits on *International "King-Queen"* series, also fits on *Academy* and *A-1 Aluminum*.

You may wish to stock these related parts: **F-2517**, **F-2521**, **F-2522**.



G-3000

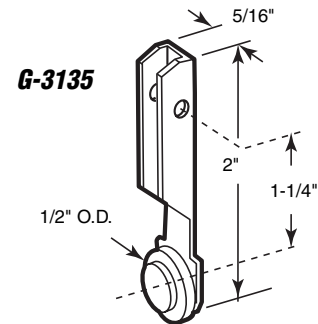
G-3135

Roller Assembly

Contents: 2 roller assemblies.

Description: Aluminum bracket with 1/8" x 1/2" flat edge nylon roller; fits on *Century-Elco* windows.

You may wish to stock these related parts: **G-3118**, **G-3122**.



G-3135

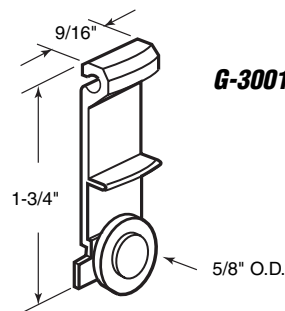
G-3001 (Nylon roller)

Roller Assembly

Contents: 2 rollers assemblies.

Description: Aluminum bracket with 1/8" x 5/8" flat edge roller; fits on *International* windows.

You may wish to stock these related parts: **F-2517**, **F-2521**, **F-2522**.



G-3001

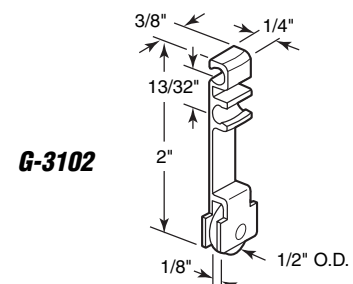
G-3102

Roller Assembly

Contents: 2 roller assemblies.

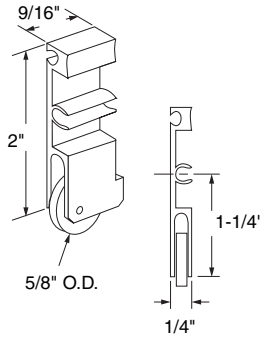
Description: Extruded aluminum bracket; 1/8" x 1/2" flat edge steel roller; fits on *International* windows.

You may wish to stock these related parts: **F-2517**, **F-2521**, **F-2522**.



G-3102

G-3124



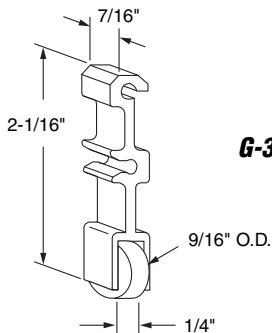
G-3124 (Steel ball bearing)

Roller Assembly

Contents: 2 roller assemblies.

Description: Extruded aluminum bracket with 1/8" x 1/2" steel ball bearing roller; fits on *International* windows and others.

G-3137



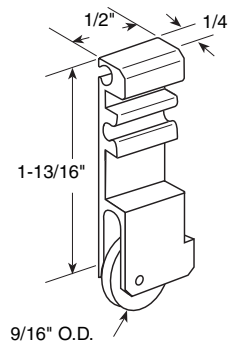
G-3137

Roller Assembly

Contents: 2 roller assemblies.

Description: Extruded aluminum bracket; 1/4" x 9/16" diameter heavy duty steel roller; fits on *International* insulated glass windows.

G-3138



G-3138

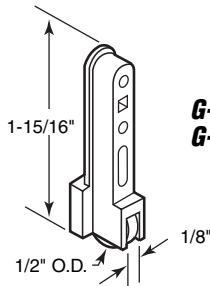
Roller Assembly

Contents: 2 roller assemblies.

Description: Extruded aluminum bracket; 1/8" x 9/16" solid brass roller; fits on *Guaranteed Products* and others.

You may wish to stock these related parts: **F-2512**, **F-2597**, **F-2647**.

**G-3003
G-3076**



G-3003 (Nylon roller - 4 per card)

G-3076 (Steel roller - 2 per card)

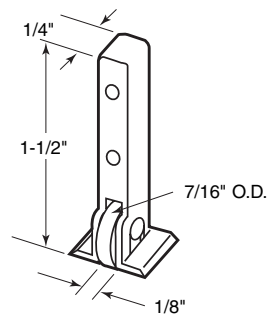
Roller Assembly

Contents: Roller assemblies.

Description: Nylon housing; 1/8" x 1/2" flat roller; top rollers adjust "up" to provide anti-lift protection; bottom rollers adjust "up and down" for alignment; fits on *Hilite 200 Series* windows.

You may wish to stock these related parts: **F-2500**, **F-2502**, **F-2543**.

G-3004



G-3004

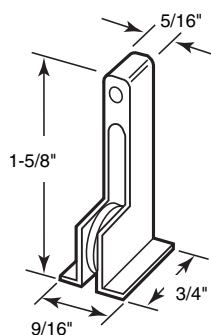
Roller Assembly

Contents: 4 roller assemblies.

Description: Nylon housing; 1/8" x 7/16" flat edge nylon roller; fits on *Guaranteed Products*.

You may wish to stock these related parts: **F-2512**, **F-2597**, **F-2647**.

**G-3002
G-3075**



G-3002 (Nylon roller)

G-3075 (Steel roller)

Roller Assembly

Contents: 2 rollers assemblies.

Description: Nylon housing, with 1/8" x 1/2" flat edge roller; fits on *HiLite* convertible windows.

You may wish to stock these related parts: **F-2500**, **F-2501**, **F-2543**.

Sliding Window Rollers & Guides

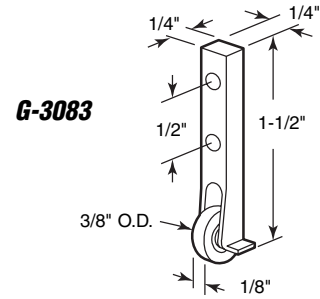
G-3083

Roller Assembly

Contents: 2 roller assemblies.

Description: Nylon housing; 1/8" x 3/8" nylon roller; fits on *Guaranteed* windows.

You may wish to stock these related parts: F-2512, F-2597, F-2647.



G-3084 (1/16" guide leg)

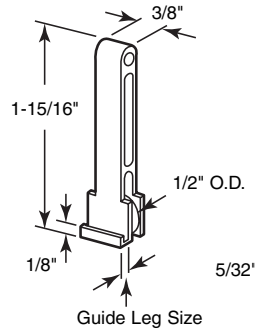
G-3085 (1/8" guide leg)

Roller Assembly

Contents: 2 roller assemblies.

Description: Gray nylon housing; 1/8" x 1/2" nylon roller; fits on *A-1 Aluminum, Horizon, Sun Air, International, Patio Concepts* and others.

You may wish to stock these related parts: F-2512, F-2517, F-2521.



G-3084 G-3085

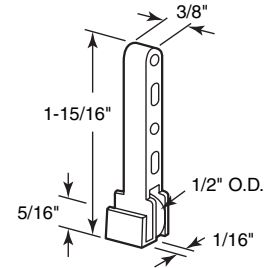
G-3088

Roller Assembly

Contents: 2 roller assemblies.

Description: Black nylon housing; nylon roller; 1/16" guide leg; fits on *Premiere* and others.

You may wish to stock these related parts: G-3084, G-3085.



G-3088

G-3032

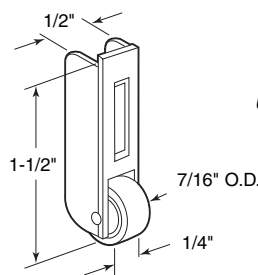
Roller Assembly

Contents: 4 roller assemblies.

Description: Nylon adjustable housing; 1/4" x 7/16" nylon roller; fits on *C & P Window*.

You may wish to stock these related parts: F-2520, G-3033.

Call for
Availability



G-3032

G-3077 (Nylon roller)

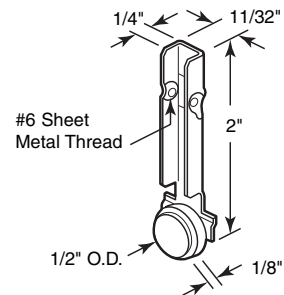
G-3156 (Brass roller)

Roller Assembly

Contents: 2 roller assemblies.

Description: Stamped aluminum housing; 1/8" x 1/2" roller; fits on *International* windows.

You may wish to stock these related parts: F-2517, F-2521, F-2522, G-3000, G-3001, G-3102.



G-3077 G-3156

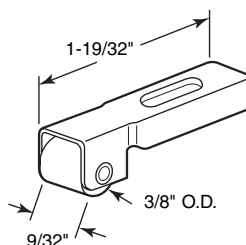
G-3005

Roller Assembly

Contents: 4 roller assemblies.

Description: Adjustable bracket with 9/32" x 3/8" flat edge nylon roller; used by several window manufacturers.

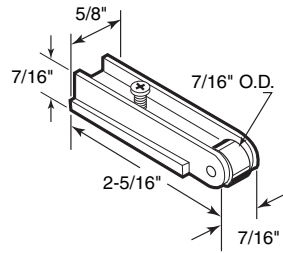
You may wish to stock these related parts: G-3017.



G-3005

Call for
Availability

G-3067
G-3068

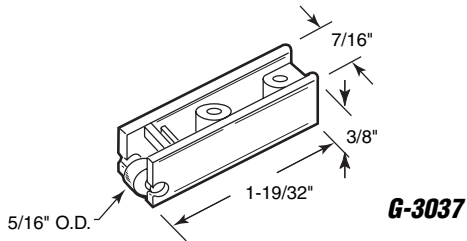


G-3067 (Aluminum finish)
G-3068 (Bronze finish)

Roller Assembly

Contents: 2 roller assemblies.

Description: Extruded aluminum housing; 7/16" diameter nylon roller; fits on *Bell* windows.



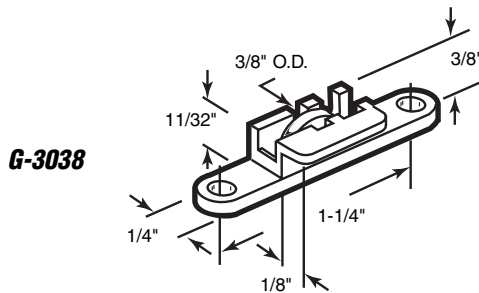
G-3037

G-3037

Roller Assembly

Contents: 4 roller assemblies.

Description: Nylon housing with flat edge nylon roller; fits on *Air Flow* patio windows.



G-3038

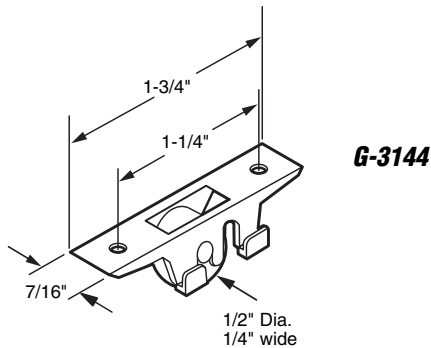
G-3038 (Steel roller)

Roller Assembly

Contents: 4 roller assemblies

Description: Nylon housing with flat edge steel roller; fits on *Tomrays Tyco 66* windows.

You may wish to stock these related parts: **F-2543, F-2544.**



G-3144

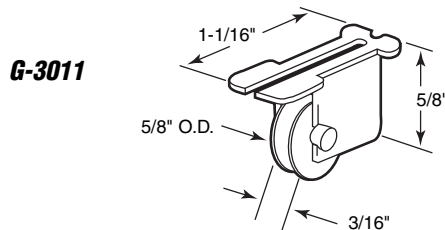
G-3144 (Nylon roller)

Roller Assembly

Contents: 2 roller assemblies

Description: White nylon housing; solid brass axles; fits on *Guaranteed Products* and others.

You may wish to stock these related parts: **F-2512, F-2597, F-2647.**



G-3011

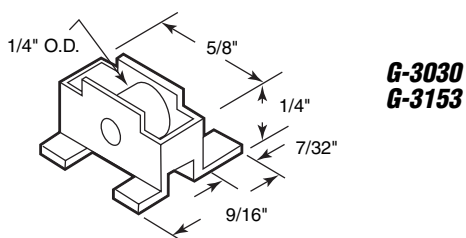
G-3011

Roller Assembly

Contents: 2 roller assemblies.

Description: Nylon housing; 3/16" x 5/8" steel roller; fits on *Fullview*.

You may wish to stock these related parts: **F-2553.**



G-3030
G-3153

G-3030 (Nylon roller - 4 per card)

G-3153 (Brass roller - 2 per card)

Roller Assembly

Contents: Roller assemblies.

Description: Offset guide leg; flat edge roller; nylon housing; fits on *Radco* and *Glass Emporium*.

You may wish to stock these related parts: **G-3028, G-3029, G-3031, G-3062.**

Sliding Window Rollers & Guides

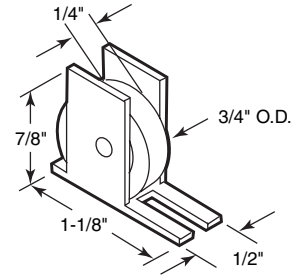
G-3050

Roller Assembly

Contents: 4 roller assemblies.

Description: Nylon housing; flat edge nylon ball bearing roller.

G-3050

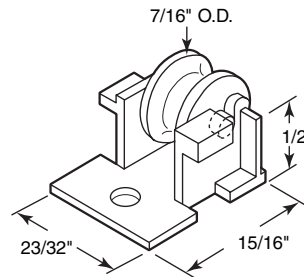


G-3106

Roller Assembly

Contents: 2 roller assemblies.

Description: Nylon housing with 7/16" diameter steel, center-grooved roller; fits on *Krestmark*.



G-3106

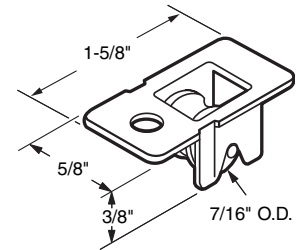
G-3147

Roller Assembly

Contents: 2 roller assemblies.

Description: White nylon housing; nylon concave roller; fits on *H-R Windows* and others.

G-3147



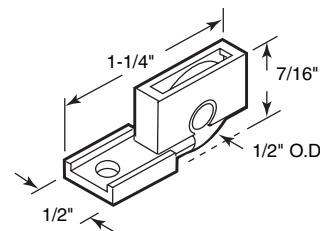
G-3055

Roller Assembly

Contents: 2 roller assemblies.

Description: Nylon housing; flat edge nylon roller; fits on *Acorn* old style windows.

You may wish to stock these related parts: **F-2645, G-3058.**



G-3055

G-3056

Roller Assembly

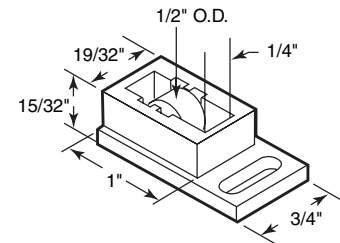
Contents: 2 roller assemblies.

Description: Nylon housing; flat edge nylon roller; fits on *Bee Cee* and other windows.

You may wish to stock these related parts: **F-2645, G-3058.**

Call for Availability

G-3056

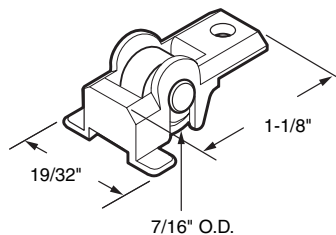


G-3167

Roller Assembly

Contents: 2 roller assemblies.

Description: Nylon housing; flat edge steel roller; fits on *Pennco* and others.



G-3167

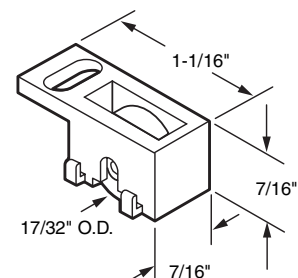
G-3151

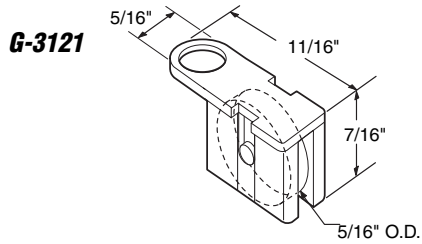
Roller Assembly

Contents: 2 roller assemblies.

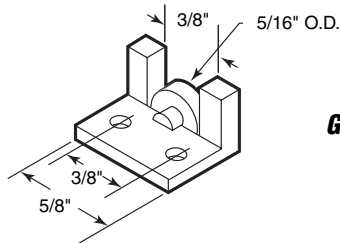
Description: Black nylon housing; 17/32" diameter solid brass flat edge roller; brass axle; fits on *Rollyson Series 400* windows.

G-3151

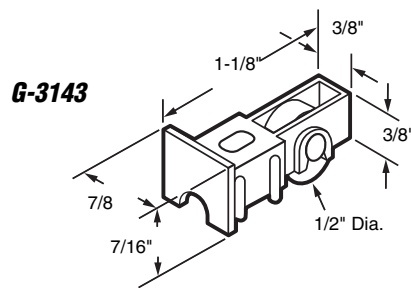




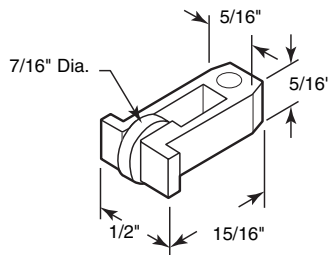
G-3121



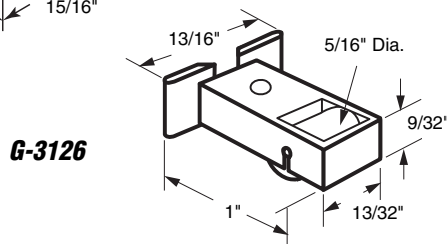
G-3061



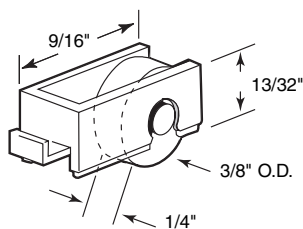
G-3143



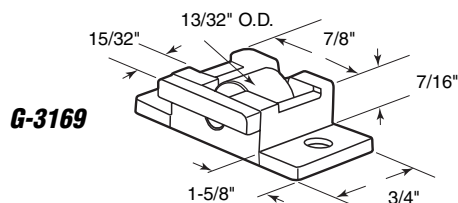
G-3108



G-3126



G-3009



G-3169

G-3121

Roller Assembly

Contents: 2 roller assemblies.

Description: Nylon housing; 5/16" diameter solid brass flat edge roller; fits on *Better-Bilt*.

You may wish to stock these related parts: F-2526, F-2627, F-2628, F-2642, G-3086.

G-3061

Roller Assembly

Contents: 2 roller assemblies.

Description: Nylon guide bracket; 5/16" diameter flat edge brass roller; fits on *Eico/Century* windows.

You may wish to stock these related parts: G-3118, G-3122, G-3135.

G-3143

Roller Assembly

Contents: 2 roller assemblies.

Description: Black nylon housing; 3/16" x 1/2" steel roller; fits on *Sun-Air* and others.

You may wish to stock these related parts: G-3084.

G-3108

Roller Assembly

Contents: 2 roller assemblies.

Description: Nylon housing and guide; 7/16" diameter flat edge steel roller.

G-3126

Roller Assembly

Contents: 2 roller assemblies.

Description: Nylon housing with 5/16" diameter flat edge steel roller.

G-3009

Roller Assembly

Contents: 2 roller assemblies.

Description: Nylon housing with 1/4" x 3/8" flat edge steel roller; fits on *Fullview* windows.

You may wish to stock these related parts: F-2553, G-3010, G-3011, G-3025, G-3026, G-3039, G-3082.

G-3169

Roller Assembly

Contents: 2 roller assemblies.

Description: Black Nylon housing with 13/32" diameter solid brass roller; fits on *Amsco* windows.

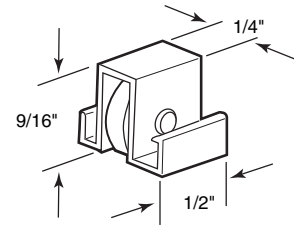
G-3013

Roller Assembly

Contents: 4 roller assemblies.

Description: Nylon housing with 1/8" x 1/2" flat edge nylon roller; fits on *L.J. Windows* and others.

G-3013

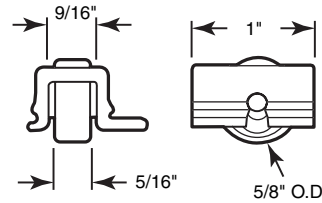


G-3112

Roller Assembly

Contents: 2 roller assemblies.

Description: Nylon housing; 5/8" diameter, flat edge nylon ball bearing roller; fits on *Premier Series 510* windows.



G-3112

G-3012

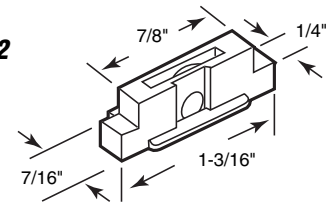
Roller Assembly

Contents: 2 roller assemblies.

Description: Nylon housing; 1/16" x 3/8" flat edge steel roller; fits on *Daryl*.

You may wish to stock these related parts: **F-2509**.

G-3012



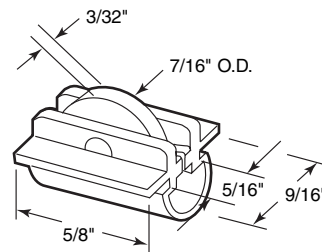
Call for
Availability

G-3044

Roller Assembly

Contents: 2 roller assemblies.

Description: Nylon housing with flat edge nylon roller.



G-3044

Call for
Availability

G-3064

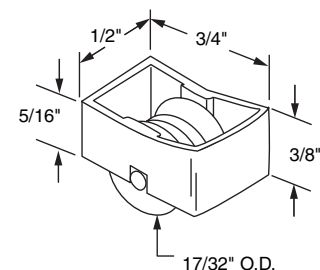
Roller Assembly

Contents: 2 roller assemblies.

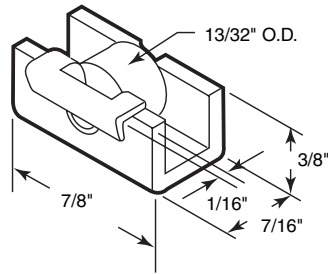
Description: Nylon housing; center groove nylon roller; fits on *Window Master*.

NOTE: Old style diecast housing is no longer available.

G-3064



G-3065



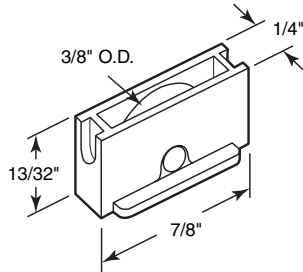
G-3065

Roller Assembly

Contents: 2 roller assemblies

Description: Nylon housing; 1/16" guide leg; flat edge nylon roller; fits on *Rolleze* windows.

You may wish to stock these related parts: **F-2553, F-2608, G-3105.**



**G-3086
G-3122**

G-3086 (Nylon roller)

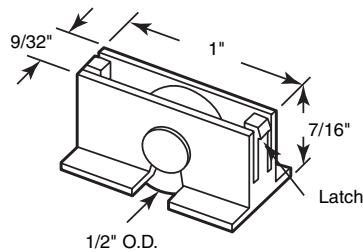
G-3122 (Brass roller)

Roller Assembly

Contents: 2 roller assemblies.

Description: Nylon housing; 3/8" diameter flat edge roller; fits on *Elco, Better-Bilt Aluminum and others.*

G-3089

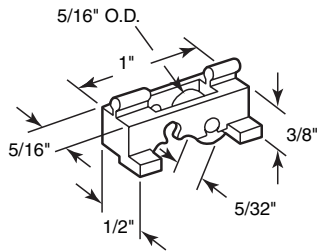


G-3089

Roller Assembly

Contents: 2 roller assemblies.

Description: Nylon housing with 1/2" diameter steel roller; fits on *Superlite Series 8000* windows.



G-3008

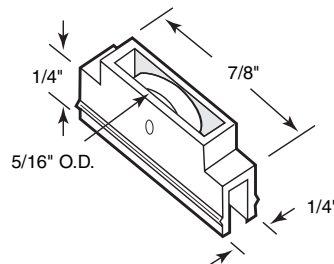
G-3008

Roller and Guide Assembly

Contents: 2 roller assemblies.

Description: Adjustable nylon housing; 5/32" x 5/16" flat edge steel roller; 2 position height adjustment; fits on *Olson* and others.

G-3010



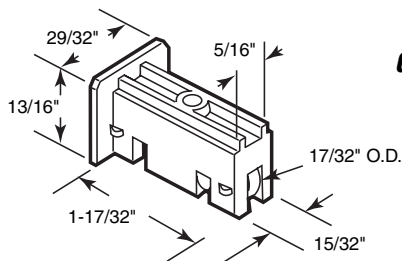
G-3010

Roller Assembly

Contents: 2 roller assemblies.

Description: Nylon housing with 3/32" x 5/16" flat edge steel roller; fits on *Fullview* windows.

You may wish to stock these related parts: **F-2553.**



G-3047

G-3047

Roller Assembly

Contents: 2 roller assemblies.

Description: Nylon housing with flat edge steel ball bearing roller; fits on *Bee Cee* windows and others.

You may wish to stock these related parts: **F-2548, G-3056, G-3072.**

*Call for
Availability*

Sliding Window Rollers & Guides

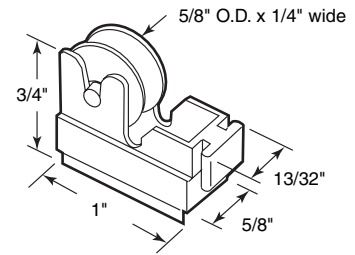
G-3048

Roller Assembly

Contents: 2 roller assemblies.

Description: Nylon housing; 5/8" diameter steel ball bearing roller; center grooved; snap-in design.

G-3048



G-3049

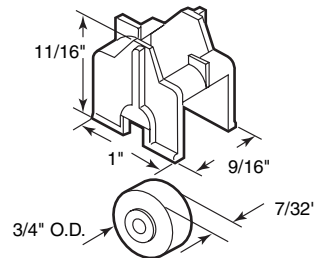
Roller Assembly

Contents: 2 roller assemblies.

Description: Nylon housing; flat edge nylon ball bearing roller; designed for *Crossly* windows.

You may wish to stock these related parts: F-2529, F-2530.

G-3049



G-3109

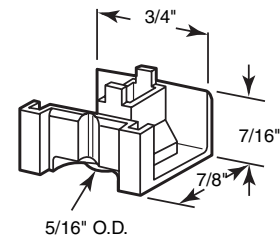
Roller Assembly

Contents: 2 roller assemblies.

Description: Nylon housing; 5/16" x 5/16" flat edge steel roller; fits on *Keller Window*.

You may wish to stock these related parts: F-2541, F-2542, F-2644, G-3060, G-3126.

G-3109



G-3058

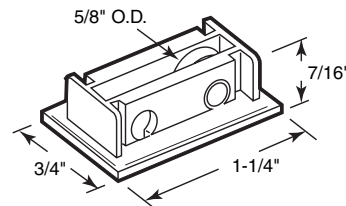
Roller Assembly

Contents: 2 roller assemblies.

Description: Nylon housing; flat edge steel roller; fits on *Acorn "Series 2100"* thru *"Series 2300"* old style windows and others.

You may wish to stock these related parts: F-2645, G-3045, G-3055.

G-3058



G-3059

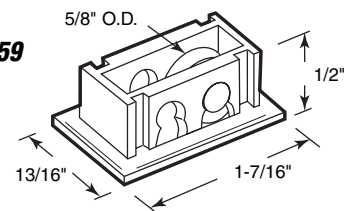
Roller Assembly

Contents: 2 roller assemblies.

Description: Nylon housing; flat edge steel roller; fits on *Acorn "Series 2100"* thru *"Series 2300"* new style windows and others.

You may wish to stock these related parts: F-2645, G-3045, G-3055, G-3058.

G-3059



G-3072

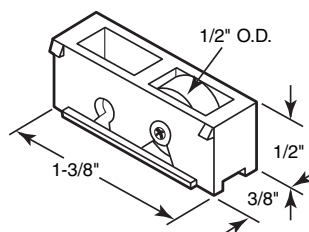
Roller Assembly

Contents: 2 roller assemblies.

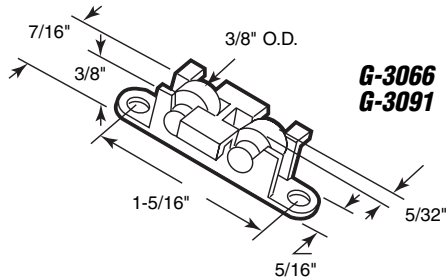
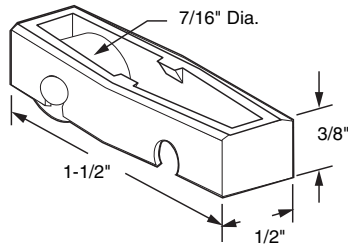
Description: Adjustable nylon housing; steel ball bearing roller; fits on *Thermo Glide*, *Bee Cee* and others.

You may wish to stock these related parts: F-2548, G-3047, G-3056, G-3101.

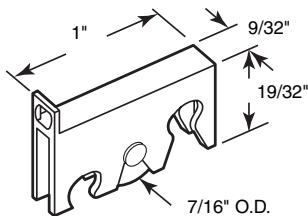
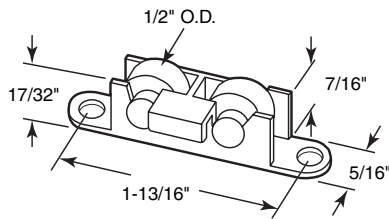
G-3072



G-3127

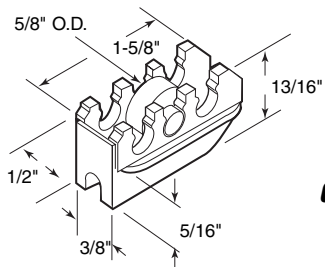
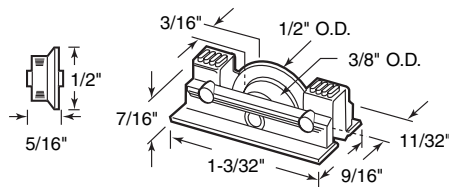


G-3107



G-3097

G-3043



G-3045

G-3127

Roller Assembly

Contents: 2 roller assemblies.

Description: Nylon housing; solid brass rollers; fits on *Capitol Windows 600 Series*.

You may wish to stock these related parts: **F-2529, F-2530.**

G-3066 (Nylon roller)

G-3091 (Brass roller)

Roller Assembly

Contents: 2 roller assemblies.

Description: Nylon housing; flat edge tandem rollers; fits on *House of Aluminum* and others.

G-3107

Roller Assembly

Contents: 2 roller assemblies.

Description: Nylon housing; flat edge tandem nylon rollers.

G-3097

Roller Assembly

Contents: 2 roller assemblies.

Description: Nylon housing; 7/16" diameter steel roller; 3-height adjustment; fits on *Alenco*.

You may wish to stock these related parts: **G-3096, G-3100, G-3103, G-3117, G-3166.**

G-3043

Roller Assembly

Contents: 2 roller assemblies.

Description: Nylon housing; flanged edge nylon roller; used on sliding windows.

Call for
Availability

G-3045

Roller Assembly

Contents: 2 roller assemblies.

Description: Plastic housing with flat edge steel roller; fits on *Acorn 2200 Series* windows.

You may wish to stock these related parts: **F-2645, G-3055, G-3058, G-3059.**

Sliding Window Rollers & Guides

G-3046

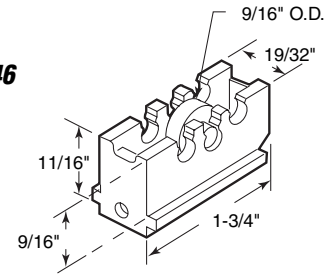
Roller Assembly

Contents: 2 roller assemblies.

Description: Nylon housing with flat edge steel roller; fits on *Capitol "Series 180"* windows.

You may wish to stock these related parts: **G-3127**.

G-3046

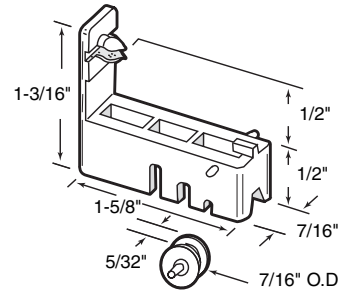


G-3006

Roller Assembly

Contents: 1 roller assembly.

Description: Nylon housing with 5/32" x 7/16" center groove steel roller; 3-position height adjustment; fits on *Glasco* windows.



G-3006

G-3007

Roller Assembly

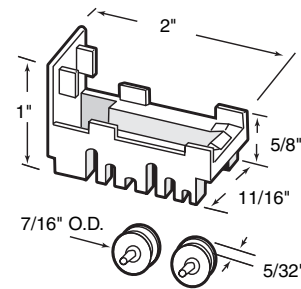
Contents: 1 roller assembly.

Description: Nylon housing; tandem roller design; 5/32" x 7/16" center groove steel rollers; 3 position height adjustment; fits on *Pacific* windows.

You may wish to stock these related parts: **G-3063**, **G-3141**.

Call for
Availability

G-3007



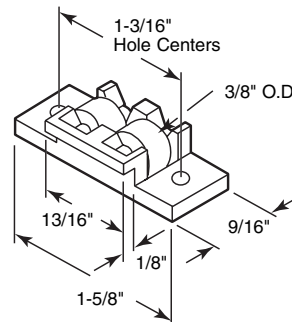
G-3071

Roller Assembly

Contents: 2 roller assemblies.

Description: Nylon housing; dual steel rollers; fits on *Tomrays Tyco 77* dual glazed windows.

You may wish to stock these related parts: **F-2547**.



G-3071

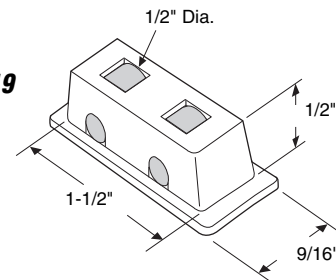
G-3119

Roller Assembly

Contents: 2 roller assemblies.

Description: Nylon housing; flat edge brass rollers; used by several window manufacturers.

G-3119

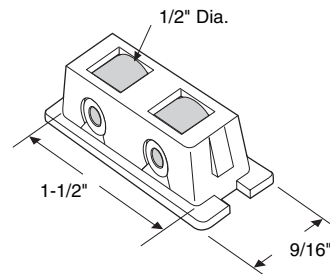


G-3134

Roller Assembly

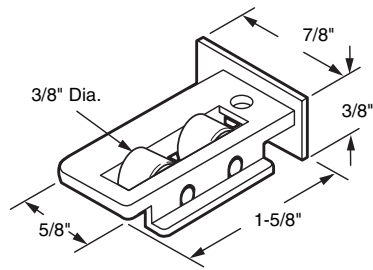
Contents: 2 roller assemblies.

Description: Nylon housing; flat edge nylon rollers; used by several window manufacturers.



G-3134

G-3136



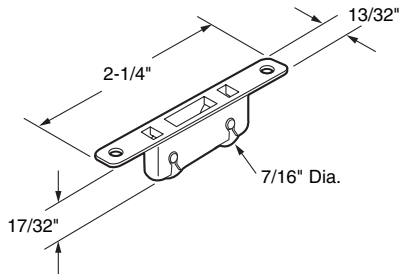
G-3136

Roller Assembly (Left and right)

Contents: 2 roller assemblies.

Description: White nylon housing with twin nylon rollers; brass axles; fits on *Premiere* windows.

You may wish to stock these related parts: **G-3015, G-3060, G-3088, G-3098, G-3122.**



G-3130

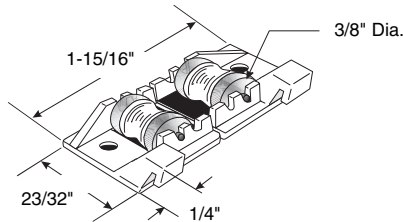
G-3130

Roller Assembly

Contents: 2 roller assemblies.

Description: Nylon housing; 7/16" diameter solid brass rollers; used by several window manufacturers.

G-3131

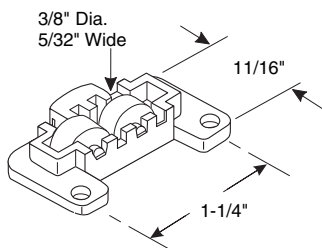


G-3131

Roller Assembly

Contents: 2 roller assemblies.

Description: White nylon housing; brass rollers; fits on *Merzon* windows.



G-3132

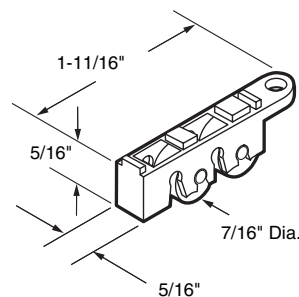
G-3132

Roller Assembly

Contents: 2 roller assemblies.

Description: Black nylon housing; brass rollers; steel axles.

G-3159

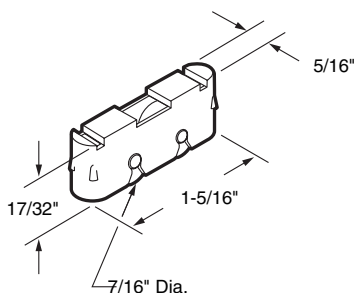


G-3159

Roller Assembly

Contents: 2 roller assemblies.

Description: Adjustable nylon housing; solid brass rollers.



G-3160

G-3160

Roller Assembly

Contents: 2 roller assemblies.

Description: High quality nylon housing; tandem nylon rollers.

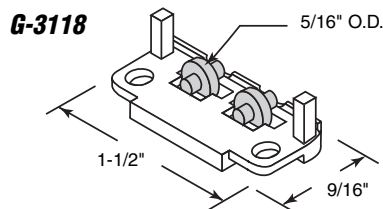
G-3118

Roller Assembly

Contents: 2 roller assemblies.

Description: Nylon housing; flat edge brass rollers; fits on *Elco/Century* windows.

You may wish to stock these related parts: **G-3061**, **G-3122**, **G-3135**.

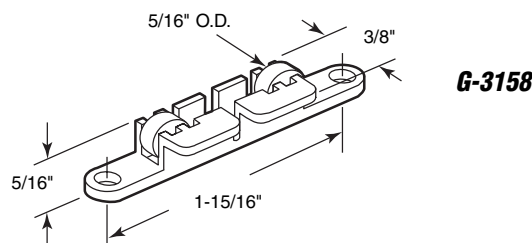


G-3158

Roller Assembly

Contents: 2 roller assemblies.

Description: White nylon housing; flat edge tandem steel rollers; fits on *A.B.C.* windows; dual wheel upgrade to the **G-3038**, improves glide and window performance.

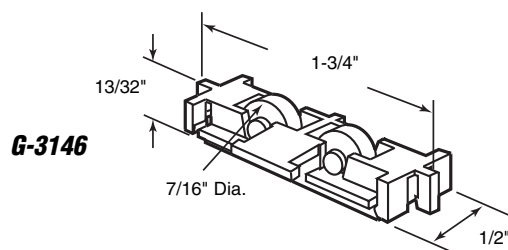


G-3146

Roller Assembly

Contents: 2 roller assemblies.

Description: White nylon housing; nylon rollers; fits by *Milgard* and others.



G-3014 (Nylon ball bearing)

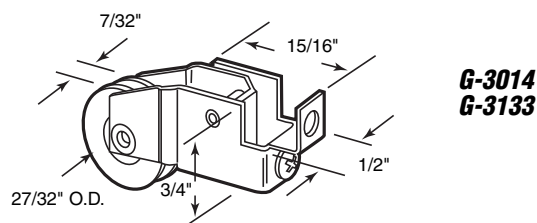
G-3133 (Steel ball bearing)

Roller Assembly

Contents: 2 roller assemblies.

Description: Used as a bottom roller on heavy sliding glass windows; adjustable steel housing with 7/32" x 27/32" center grooved roller.

You may wish to stock these related parts: **G-3073**.



G-3014
G-3133

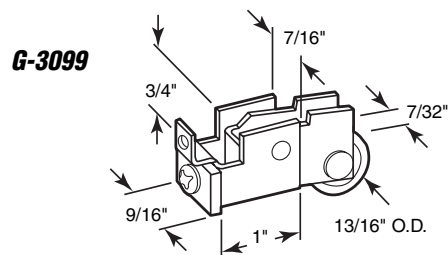
G-3099

Roller Assembly

Contents: 1 roller assembly.

Description: Steel adjustable housing; 13/16" diameter flat edge nylon ball bearing roller; fits on *Likit* windows.

You may wish to stock these related parts: **F-2513**, **F-2514**, **G-3078**, **G-3079**, **G-3080**, **G-3081**, **G-3113**.

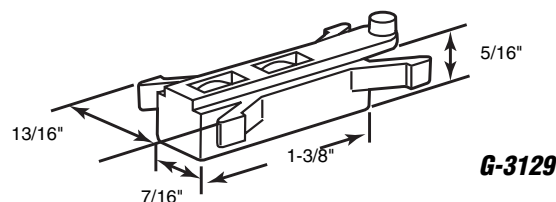


G-3129

Roller Assembly

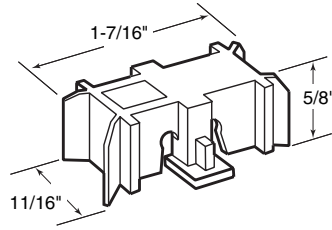
Contents: 2 roller assemblies.

Description: Nylon housing; 15/32" diameter twin, flat edge, solid brass rollers; stainless steel axles.



G-3129

G-3166



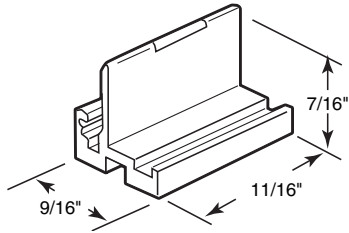
G-3166

Roller Assembly

Contents: 2 roller assemblies.

Description: Adjustable white nylon housing; 1/2" diameter flat edge steel roller; fits on *Alenco*.

You may wish to stock these related parts: **G-3096, G-3097, G-3100, G-3103, G-3117.**



G-3025

G-3025

Top Guide

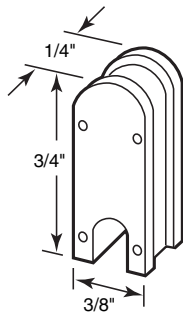
Contents: 4 guides.

Description: Nylon top guide for *Fullview* windows.

You may wish to stock these related parts: **F-2553, G-3009, G-3010, G-3011, G-3026, G-3039, G-3082.**

Call for Availability

G-3026



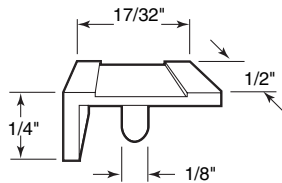
G-3026

Top Guide

Contents: 6 guides.

Description: Nylon top guide and anti-rattler; fits on *Fullview* windows.

You may wish to stock these related parts: **F-2553, G-3009, G-3010, G-3011, G-3039, G-3082.**



G-3027

G-3027

Top Guide

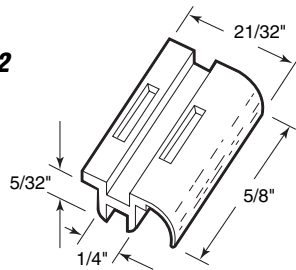
Contents: 4 guides.

Description: Nylon top guide and anti-rattler; fits on *Hallmark* windows; popular on recreation vehicles.

You may wish to stock these related parts: **F-2510, F-2511, F-2585, F-2586.**

Call for Availability

G-3062



G-3062

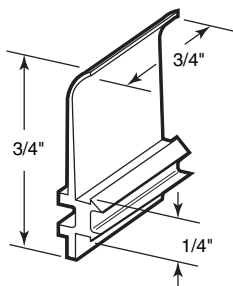
Top Guide

Contents: 4 guides.

Description: Nylon top guide fits on *Radco* old style windows; snap-in design.

You may wish to stock these related parts: **G-3028, G-3029, G-3030, G-3031, G-3153.**

Call for Availability



G-3063

G-3063

Top Guide

Contents: 4 guides.

Description: Nylon top guide; fits on *Pacific* old style windows.

You may wish to stock these related parts: **G-3007, G-3141.**

Sliding Window Rollers & Guides

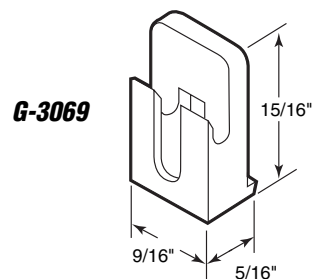
G-3069

Top Guide

Contents: 4 guides.

Description: Black nylon top guide and anti-rattler; popular on mobile homes; fits on *Phillips* windows.

You may wish to stock these related parts: **G-3070**.



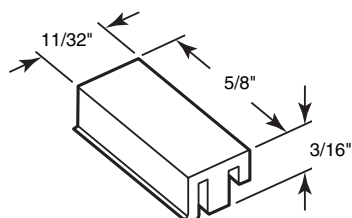
G-3103

Top Guide

Contents: 4 guides.

Description: Nylon top guide for sliding aluminum windows; snap-in design; fits on *Alenco*.

You may wish to stock these related parts: **G-3096, G-3097, G-3100, G-3117**.



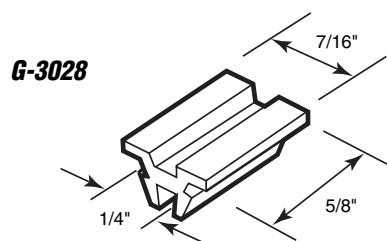
G-3028

Top Guide

Contents: 4 guides.

Description: Plastic top guide; snap-in design; fits on *Radco* windows.

You may wish to stock these related parts: **G-3029, G-3030, G-3031, G-3062, G-3153**.



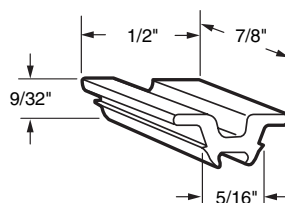
G-3141

Top Guide

Contents: 4 guides.

Description: Gray nylon top guide; snap-in design; fits on *Pacific Window* and others.

You may wish to stock these related parts: **G-3007, G-3063**.



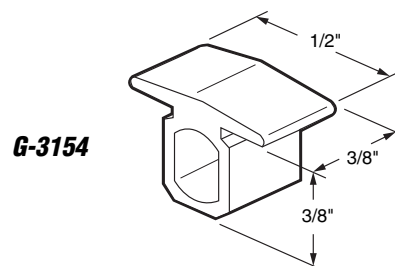
G-3154

Top Guide

Contents: 4 guides.

Description: Nylon top guide; fits on *International* sliding aluminum windows.

You may wish to stock these related parts: **F-2521, G-3000, G-3074, G-3102**.



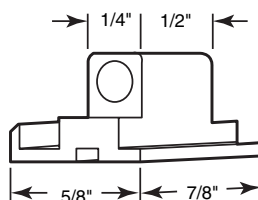
G-3110

Bottom Guide

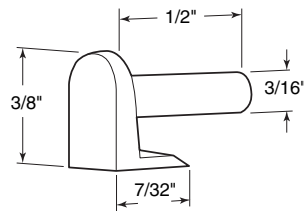
Contents: 2 guides.

Description: Nylon bottom guide; fits on *Mayfair* windows.

You may wish to stock these related parts: **G-3023, G-3104**.



G-3114



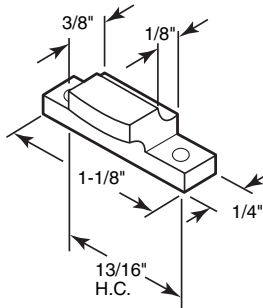
Call for
Availability

G-3114

Bottom Guide

Contents: 4 guides.

Description: Nylon bottom guide; snap-in design; corner mounted; acts as a glide on sliding aluminum windows.



G-3070

G-3070

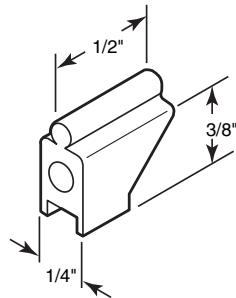
Bottom Glide

Contents: 4 glides.

Description: Black nylon bottom glide; also serves as a guide; popular on mobile homes; fits on *Phillips* windows.

You may wish to stock these related parts: **F-2623, G-3069, G-3132.**

G-3081



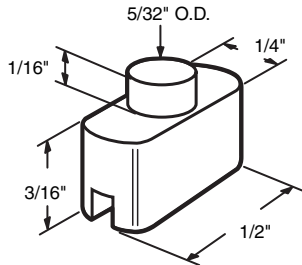
G-3081

Bottom Glide

Contents: 4 glides.

Description: Nylon glide; installs on bottom of window to act as a roller; fits on *Likit* windows.

You may wish to stock these related parts: **F-2513, F-2514, G-3099.**



G-3096

G-3096

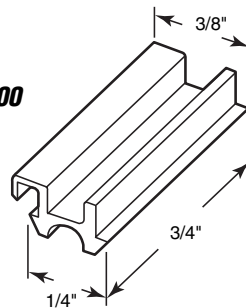
Bottom Glide

Contents: 4 glides.

Description: Nylon glide snaps into hole in bottom vent rail; fits on *Alenco*.

You may wish to stock these related parts: **G-3097, G-3100, G-3103.**

G-3100



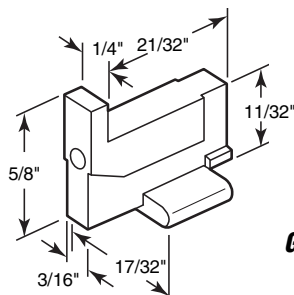
G-3100

Bottom Glide

Contents: 4 glides.

Description: Nylon glide acts as a roller on sliding aluminum windows; fits on *Alenco*.

You may wish to stock these related parts: **G-3103, G-3117.**



G-3104

G-3104

Bottom Glide

Contents: 2 glides.

Description: Nylon corner and bottom glide act as a roller on sliding aluminum windows; fits on *Mayfair* windows.

You may wish to stock these related parts: **G-3023, G-3110.**

Sliding Window Rollers & Guides

G-3080

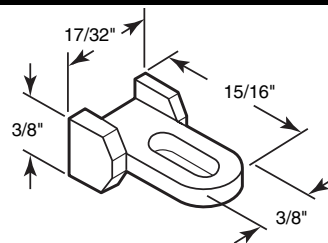
Guide

Contents: 4 guides.

Description: Nylon guide; installs on lock side of window; fits on *Likit* windows.

You may wish to stock these related parts: **G-3099**.

G-3080

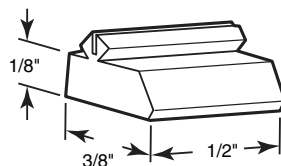


G-3115

Guide

Contents: 6 guides.

Description: Nylon guide; snap-in design; used on both top and bottom of window.



G-3115

G-3029

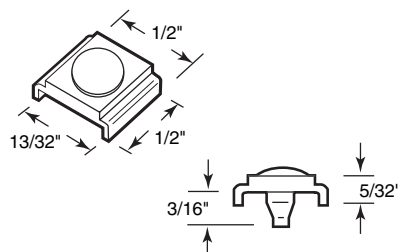
Guide

Contents: 4 guides.

Description: Plastic snap-in style guide; fits on *Radco* windows.

You may wish to stock these related parts: **G-3153**.

G-3029



G-3113

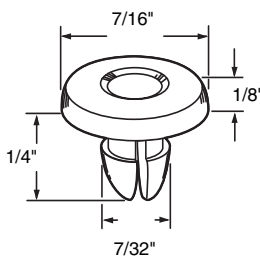
Guide

Contents: 4 guides.

Description: Nylon guide; snap-in design; fits on *Likit* windows.

You may wish to stock these related parts: **F-2513, F-2514**.

G-3113



G-3142

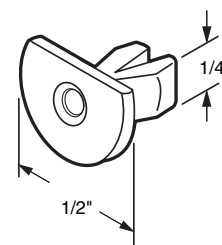
Guide

Contents: 4 guides.

Description: White nylon guide; fits on *Guaranteed Products* and other window manufacturers.

You may wish to stock these related parts: **F-2512, F-2597, F-2647**.

G-3142



G-3079

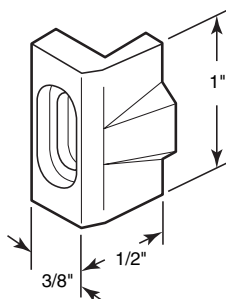
Guide and Bumper

Contents: 4 guides.

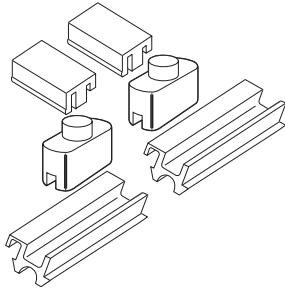
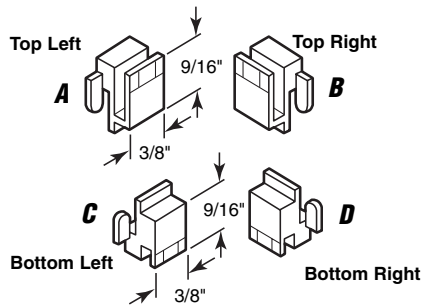
Description: Nylon guide; installs on lock side of window; fits on *Likit* windows.

You may wish to stock these related parts: **F-2513, F-2514, G-3099**.

G-3079

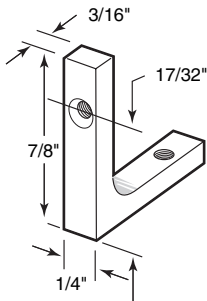
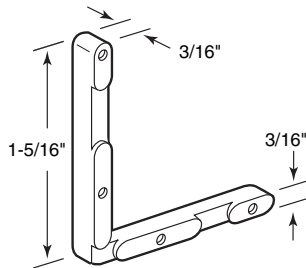


G-3078
G-3078A
G-3078B
G-3078C
G-3078D



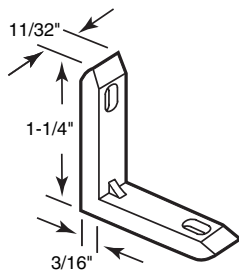
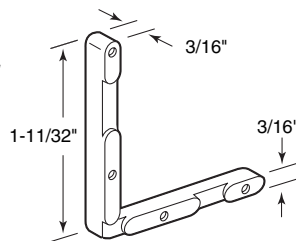
G-3117

G-3022
G-3022B



G-3024
G-3024B

G-3057



G-3023

G-3078
G-3078A (100/box - top left)
G-3078B (100/box - top right)
G-3078C (100/box - bottom left)
G-3078D (100/box - bottom right)

Corner Guide Set

Contents: 4 guides.

Description: Nylon guides mount on each corner and act as a glide and guide; fits on *Likit* windows.

You may wish to stock these related parts: **F-2513**, **F-2514**, **G-3099**.

G-3117

"Alenco" Repair Kit

Contents: 2 each - top guides, bottom glides (old style) and bottom glides (new style)

Description: Nylon guide and glides; snap-in application; fits to repair *Alenco Series 200* sliding windows, either new or old style.

G-3022 (8 per card)
G-3022B (100 per box)

Corner Insert

Contents: Diecast corners.

Description: Inserts into window frame extrusion to hold frame together; fits on *Bel-Air*.

G-3024 (4 per card)
G-3024B (100 per box)

Corner Insert

Contents: Extruded aluminum corners; no. 5-40 x 5/16" Phillips flat head machine screws.

Description: Inserts into window extrusion to hold frame together; fits on *Rylock* windows.

G-3057

Corner Insert

Contents: 8 corners.

Description: Diecast corner; attaches to window frame by indenting frame with punch; designed to fit "*C*" Sash frame.

G-3023

Corner Insert

Contents: 4 diecast corners.

Description: Inserts into window extrusion to hold frame together; fits on *Mayfair* windows.

Sliding Window Rollers & Guides

G-3155

Corner Insert

Contents: 4 corners.

Description: Zinc diecast corner inserts; fits on *Rylock* and others.

G-3021

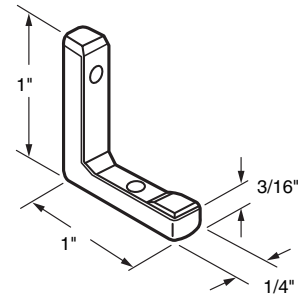
Corner Insert & Roller

Contents: 2 corners.

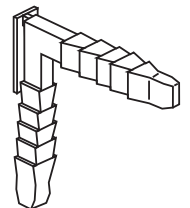
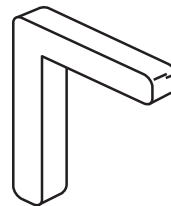
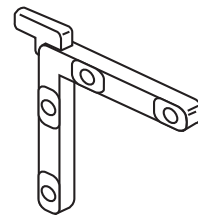
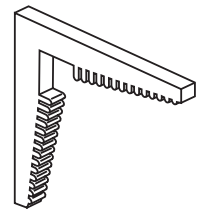
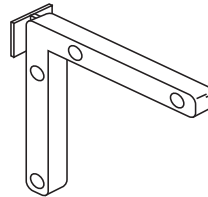
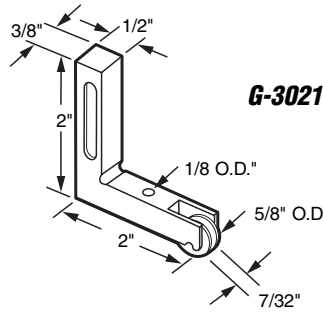
Description: Diecast corner insert with $7/32" \times 5/8"$ nylon rollers; fits on *Trimview*.

Call for
Availability

G-3155



G-3021



Contact our

Customer Service Department
for a much larger selection
of corner keys and tilt keys!

INDEX - Window Hardware

Part No.	Page No.	Description	Package Quantity	Standard Pack
CCEP-3546 (Aluminum)	H-16	Universal Louver Aluminum	1	25
CCEP-3547 (Bronze)	H-16	Universal Louver Aluminum	1	25
CCEP-3548 (Aluminum)	H-16	Jalousie Operator	1	25
CCEP-3549 (Aluminum)	H-16	Universal Louver Aluminum	1	25
CCEP-3550 (Aluminum)	H-16	Jalousie Operator	1	25
CCEP-3551 (Aluminum)	H-16	Jalousie Operator	1	25
CCEP-3557 (Aluminum)	H-17	Jalousie Operator	1	25
CCEP-3818 (White)	H-16	Universal Louver Aluminum	1	25
EP-3719 (Bagged)	H-27	Repair Kit (For 5/8" channel balance)	1	1
EP-3740	H-31	Rivet Installation Tool	1	1
EP-3758 (25/bag)	H-36	Pivot Bar	25	1
EP-3759 (25/bag)	H-36	Balance Foot (5/8")	25	1
EP-3785 (4/bag)	H-35	Pivot Lock Shoe	4	1
EP-3786 (4/bag)	H-36	Pivot Lock Shoe	4	1
EP-3787	H-37	Tension Tool (For tilt balance)	1	1
EP-3788	H-37	Tension Tool (For non-tilt balance)	1	1
EP-3837 (25/bag)	H-30	Sash Cam	25	1
EP-3838 (25/bag)	H-30	Sash Cam	25	1
EP-3897 (25/bag)	H-36	Pivot Bar	25	1
EP-3898 (25/bag)	H-30	Sash Cam	25	1
EP-3904 (25/bag)	H-30	Lift Hook	25	1
EP-3917 (25/bag)	H-30	Sash Cam	25	1
EP-3918 (25/bag)	H-30	Sash Cam	25	1
EP-3920 (25/bag)	H-36	Balance Foot (3/8")	25	1
FA-1210	H-25	Channel Balances (Block & tackle style)	1	1
FA-1220	H-25	Channel Balances (Block & tackle style)	1	1
FA-1230	H-25	Channel Balances (Block & tackle style)	1	1
FA-1240	H-25	Channel Balances (Block & tackle style)	1	1
FA-1310	H-25	Channel Balances (Block & tackle style)	1	1
FA-1320	H-25	Channel Balances (Block & tackle style)	1	1
FA-1330	H-25	Channel Balances (Block & tackle style)	1	1
FA-1340	H-25	Channel Balances (Block & tackle style)	1	1
FA-1410	H-25	Channel Balances (Block & tackle style)	1	1
FA-1420	H-25	Channel Balances (Block & tackle style)	1	1
FA-1430	H-25	Channel Balances (Block & tackle style)	1	1
FA-1440	H-25	Channel Balances (Block & tackle style)	1	1
FA-1510	H-25	Channel Balances (Block & tackle style)	1	1
FA-1520	H-25	Channel Balances (Block & tackle style)	1	1
FA-1530	H-25	Channel Balances (Block & tackle style)	1	1
FA-1540	H-25	Channel Balances (Block & tackle style)	1	1
FA-1610	H-25	Channel Balances (Block & tackle style)	1	1
FA-1620	H-25	Channel Balances (Block & tackle style)	1	1
FA-1630	H-25	Channel Balances (Block & tackle style)	1	1
FA-1640	H-25	Channel Balances (Block & tackle style)	1	1
FA-1710	H-25	Channel Balances (Block & tackle style)	1	1
FA-1720	H-25	Channel Balances (Block & tackle style)	1	1
FA-1730	H-25	Channel Balances (Block & tackle style)	1	1
FA-1740	H-25	Channel Balances (Block & tackle style)	1	1
FA-1810	H-25	Channel Balances (Block & tackle style)	1	1
FA-1820	H-25	Channel Balances (Block & tackle style)	1	1
FA-1830	H-25	Channel Balances (Block & tackle style)	1	1
FA-1840	H-25	Channel Balances (Block & tackle style)	1	1
FA-1910	H-25	Channel Balances (Block & tackle style)	1	1
FA-1920	H-25	Channel Balances (Block & tackle style)	1	1
FA-1930	H-25	Channel Balances (Block & tackle style)	1	1

INDEX - Window Hardware

Part No.	Page No.	Description	Package Quantity	Standard Pack
FA-3330	H-26	Channel Balances (Block & tackle style)	1	1
FA-3340	H-26	Channel Balances (Block & tackle style)	1	1
FA-3410	H-26	Channel Balances (Block & tackle style)	1	1
FA-3420	H-26	Channel Balances (Block & tackle style)	1	1
FA-3430	H-26	Channel Balances (Block & tackle style)	1	1
FA-3440	H-26	Channel Balances (Block & tackle style)	1	1
FA-3510	H-26	Channel Balances (Block & tackle style)	1	1
FA-3520	H-26	Channel Balances (Block & tackle style)	1	1
FA-3530	H-26	Channel Balances (Block & tackle style)	1	1
FA-3540	H-26	Channel Balances (Block & tackle style)	1	1
FA-3610	H-26	Channel Balances (Block & tackle style)	1	1
FA-3620	H-26	Channel Balances (Block & tackle style)	1	1
FA-3630	H-26	Channel Balances (Block & tackle style)	1	1
FA-3640	H-26	Channel Balances (Block & tackle style)	1	1
FA-3710	H-26	Channel Balances (Block & tackle style)	1	1
FA-3720	H-26	Channel Balances (Block & tackle style)	1	1
FA-3730	H-26	Channel Balances (Block & tackle style)	1	1
FA-3740	H-26	Channel Balances (Block & tackle style)	1	1
FA-3810	H-26	Channel Balances (Block & tackle style)	1	1
FA-3820	H-26	Channel Balances (Block & tackle style)	1	1
FA-3830	H-26	Channel Balances (Block & tackle style)	1	1
FA-3840	H-26	Channel Balances (Block & tackle style)	1	1
FA-3910	H-26	Channel Balances (Block & tackle style)	1	1
FA-3920	H-26	Channel Balances (Block & tackle style)	1	1
FA-3930	H-26	Channel Balances (Block & tackle style)	1	1
FA-3940	H-26	Channel Balances (Block & tackle style)	1	1
FA-4010	H-26	Channel Balances (Block & tackle style)	1	1
FA-4020	H-26	Channel Balances (Block & tackle style)	1	1
FA-4030	H-26	Channel Balances (Block & tackle style)	1	1
FA-4040	H-26	Channel Balances (Block & tackle style)	1	1
FA-4110	H-26	Channel Balances (Block & tackle style)	1	1
FA-4120	H-26	Channel Balances (Block & tackle style)	1	1
FA-4130	H-26	Channel Balances (Block & tackle style)	1	1
FA-4140	H-26	Channel Balances (Block & tackle style)	1	1
FA-4210	H-26	Channel Balances (Block & tackle style)	1	1
FA-4220	H-26	Channel Balances (Block & tackle style)	1	1
FA-4230	H-26	Channel Balances (Block & tackle style)	1	1
FA-4240	H-26	Channel Balances (Block & tackle style)	1	1
FC-111	H-26	Channel Window Balances (Overhead)	1	1
FC-112	H-26	Channel Window Balances (Overhead)	1	1
FC-121	H-26	Channel Window Balances (Overhead)	1	1
FC-122	H-26	Channel Window Balances (Overhead)	1	1
FC-151	H-26	Channel Window Balances (Overhead)	1	1
FC-152	H-26	Channel Window Balances (Overhead)	1	1
FC-153	H-26	Channel Window Balances (Overhead)	1	1
FC-162	H-26	Channel Window Balances (Overhead)	1	1
FC-163	H-26	Channel Window Balances (Overhead)	1	1
FC-183	H-26	Channel Window Balances (Overhead)	1	1
FH-1510	H-32	Spiral Window Balance (9/16" Dia.)	1	1
FH-1520	H-32	Spiral Window Balance (9/16" Dia.)	1	1
FH-1530	H-32	Spiral Window Balance (9/16" Dia.)	1	1
FH-1610	H-32	Spiral Window Balance (9/16" Dia.)	1	1
FH-1620	H-32	Spiral Window Balance (9/16" Dia.)	1	1
FH-1630	H-32	Spiral Window Balance (9/16" Dia.)	1	1
FH-1710	H-32	Spiral Window Balance (9/16" Dia.)	1	1

INDEX - Window Hardware

Part No.	Page No.	Description	Package Quantity	Standard Pack
FH-1720	H-32	Spiral Window Balance (9/16" Dia.)	1	1
FH-1730	H-32	Spiral Window Balance (9/16" Dia.)	1	1
FH-1810	H-32	Spiral Window Balance (9/16" Dia.)	1	1
FH-1820	H-32	Spiral Window Balance (9/16" Dia.)	1	1
FH-1830	H-32	Spiral Window Balance (9/16" Dia.)	1	1
FH-1910	H-32	Spiral Window Balance (9/16" Dia.)	1	1
FH-1920	H-32	Spiral Window Balance (9/16" Dia.)	1	1
FH-1930	H-32	Spiral Window Balance (9/16" Dia.)	1	1
FH-2010	H-32	Spiral Window Balance (9/16" Dia.)	1	1
FH-2020	H-32	Spiral Window Balance (9/16" Dia.)	1	1
FH-2030	H-32	Spiral Window Balance (9/16" Dia.)	1	1
FH-2110	H-32	Spiral Window Balance (9/16" Dia.)	1	1
FH-2120	H-32	Spiral Window Balance (9/16" Dia.)	1	1
FH-2130	H-32	Spiral Window Balance (9/16" Dia.)	1	1
FH-2220	H-32	Spiral Window Balance (9/16" Dia.)	1	1
FH-2230	H-32	Spiral Window Balance (9/16" Dia.)	1	1
FH-2320	H-32	Spiral Window Balance (9/16" Dia.)	1	1
FH-2330	H-32	Spiral Window Balance (9/16" Dia.)	1	1
FH-2420	H-32	Spiral Window Balance (9/16" Dia.)	1	1
FH-2430	H-32	Spiral Window Balance (9/16" Dia.)	1	1
FH-2520	H-32	Spiral Window Balance (9/16" Dia.)	1	1
FH-2530	H-32	Spiral Window Balance (9/16" Dia.)	1	1
FH-2620	H-32	Spiral Window Balance (9/16" Dia.)	1	1
FH-2630	H-32	Spiral Window Balance (9/16" Dia.)	1	1
FH-2720	H-32	Spiral Window Balance (9/16" Dia.)	1	1
FH-2730	H-32	Spiral Window Balance (9/16" Dia.)	1	1
FH-2820	H-32	Spiral Window Balance (9/16" Dia.)	1	1
FH-2830	H-32	Spiral Window Balance (9/16" Dia.)	1	1
FH-2920	H-32	Spiral Window Balance (9/16" Dia.)	1	1
FH-2930	H-32	Spiral Window Balance (9/16" Dia.)	1	1
FH-3020	H-32	Spiral Window Balance (9/16" Dia.)	1	1
FH-3030	H-32	Spiral Window Balance (9/16" Dia.)	1	1
FH-3120	H-32	Spiral Window Balance (9/16" Dia.)	1	1
FH-3130	H-32	Spiral Window Balance (9/16" Dia.)	1	1
FH-3220	H-32	Spiral Window Balance (9/16" Dia.)	1	1
FH-3230	H-32	Spiral Window Balance (9/16" Dia.)	1	1
FH-3320	H-32	Spiral Window Balance (9/16" Dia.)	1	1
FH-3420	H-32	Spiral Window Balance (9/16" Dia.)	1	1
FH-3520	H-32	Spiral Window Balance (9/16" Dia.)	1	1
FH-3620	H-32	Spiral Window Balance (9/16" Dia.)	1	1
FH-3720	H-32	Spiral Window Balance (9/16" Dia.)	1	1
FH-3820	H-32	Spiral Window Balance (9/16" Dia.)	1	1
FH-3920	H-32	Spiral Window Balance (9/16" Dia.)	1	1
FJ-1520	H-33	Spiral Window Balance (9/16" Dia.)	1	1
FJ-1530	H-33	Spiral Window Balance (9/16" Dia.)	1	1
FJ-1620	H-33	Spiral Window Balance (9/16" Dia.)	1	1
FJ-1630	H-33	Spiral Window Balance (9/16" Dia.)	1	1
FJ-1720	H-33	Spiral Window Balance (9/16" Dia.)	1	1
FJ-1730	H-33	Spiral Window Balance (9/16" Dia.)	1	1
FJ-1820	H-33	Spiral Window Balance (9/16" Dia.)	1	1
FJ-1830	H-33	Spiral Window Balance (9/16" Dia.)	1	1
FJ-1920	H-33	Spiral Window Balance (9/16" Dia.)	1	1
FJ-1930	H-33	Spiral Window Balance (9/16" Dia.)	1	1
FJ-2020	H-33	Spiral Window Balance (9/16" Dia.)	1	1
FJ-2030	H-33	Spiral Window Balance (9/16" Dia.)	1	1

INDEX - Window Hardware

Part No.	Page No.	Description	Package Quantity	Standard Pack
FJ-2120	H-33	Spiral Window Balance (9/16" Dia.)	1	1
FJ-2130	H-33	Spiral Window Balance (9/16" Dia.)	1	1
FJ-2220	H-33	Spiral Window Balance (9/16" Dia.)	1	1
FJ-2230	H-33	Spiral Window Balance (9/16" Dia.)	1	1
FJ-2320	H-33	Spiral Window Balance (9/16" Dia.)	1	1
FJ-2330	H-33	Spiral Window Balance (9/16" Dia.)	1	1
FJ-2420	H-33	Spiral Window Balance (9/16" Dia.)	1	1
FJ-2430	H-33	Spiral Window Balance (9/16" Dia.)	1	1
FJ-2520	H-33	Spiral Window Balance (9/16" Dia.)	1	1
FJ-2530	H-33	Spiral Window Balance (9/16" Dia.)	1	1
FJ-2620	H-33	Spiral Window Balance (9/16" Dia.)	1	1
FJ-2630	H-33	Spiral Window Balance (9/16" Dia.)	1	1
FJ-2720	H-33	Spiral Window Balance (9/16" Dia.)	1	1
FJ-2730	H-33	Spiral Window Balance (9/16" Dia.)	1	1
FJ-2820	H-33	Spiral Window Balance (9/16" Dia.)	1	1
FJ-2830	H-33	Spiral Window Balance (9/16" Dia.)	1	1
FJ-2920	H-33	Spiral Window Balance (9/16" Dia.)	1	1
FJ-2930	H-33	Spiral Window Balance (9/16" Dia.)	1	1
FJ-3020	H-33	Spiral Window Balance (9/16" Dia.)	1	1
FJ-3030	H-33	Spiral Window Balance (9/16" Dia.)	1	1
FJ-3120	H-33	Spiral Window Balance (9/16" Dia.)	1	1
FJ-3130	H-33	Spiral Window Balance (9/16" Dia.)	1	1
FJ-3220	H-33	Spiral Window Balance (9/16" Dia.)	1	1
FJ-3230	H-33	Spiral Window Balance (9/16" Dia.)	1	1
FJ-3320	H-33	Spiral Window Balance (9/16" Dia.)	1	1
FJ-3420	H-33	Spiral Window Balance (9/16" Dia.)	1	1
FJ-3520	H-33	Spiral Window Balance (9/16" Dia.)	1	1
FJ-3620	H-33	Spiral Window Balance (9/16" Dia.)	1	1
FJ-3720	H-33	Spiral Window Balance (9/16" Dia.)	1	1
FJ-3820	H-33	Spiral Window Balance (9/16" Dia.)	1	1
FJ-3920	H-33	Spiral Window Balance (9/16" Dia.)	1	1
FL-1820	H-33	Spiral Window Balance (3/8" Dia.)	1	1
FL-1920	H-33	Spiral Window Balance (3/8" Dia.)	1	1
FL-2020	H-33	Spiral Window Balance (3/8" Dia.)	1	1
FL-2120	H-33	Spiral Window Balance (3/8" Dia.)	1	1
FL-2220	H-33	Spiral Window Balance (3/8" Dia.)	1	1
FL-2320	H-33	Spiral Window Balance (3/8" Dia.)	1	1
FL-2420	H-33	Spiral Window Balance (3/8" Dia.)	1	1
FL-2520	H-33	Spiral Window Balance (3/8" Dia.)	1	1
FL-2620	H-33	Spiral Window Balance (3/8" Dia.)	1	1
FL-2720	H-33	Spiral Window Balance (3/8" Dia.)	1	1
FL-2820	H-33	Spiral Window Balance (3/8" Dia.)	1	1
FL-2920	H-33	Spiral Window Balance (3/8" Dia.)	1	1
FL-3020	H-33	Spiral Window Balance (3/8" Dia.)	1	1
FM-1820	H-34	Spiral Window Balance (3/8" Dia.)	1	1
FM-1920	H-34	Spiral Window Balance (3/8" Dia.)	1	1
FM-2020	H-34	Spiral Window Balance (3/8" Dia.)	1	1
FM-2120	H-34	Spiral Window Balance (3/8" Dia.)	1	1
FM-2220	H-34	Spiral Window Balance (3/8" Dia.)	1	1
FM-2320	H-34	Spiral Window Balance (3/8" Dia.)	1	1
FM-2420	H-34	Spiral Window Balance (3/8" Dia.)	1	1
FM-2520	H-34	Spiral Window Balance (3/8" Dia.)	1	1
FM-2620	H-34	Spiral Window Balance (3/8" Dia.)	1	1
FM-2720	H-34	Spiral Window Balance (3/8" Dia.)	1	1
FM-2820	H-34	Spiral Window Balance (3/8" Dia.)	1	1

INDEX - Window Hardware

Part No.	Page No.	Description	Package Quantity	Standard Pack
FM-2920.....	H-34	Spiral Window Balance (3/8" Dia.)	1	1
FM-3020.....	H-34	Spiral Window Balance (3/8" Dia.)	1	1
FR-1820-340.....	H-34	Spiral Window Balance (3/8" Dia.)	1	1
FR-1820-341.....	H-34	Spiral Window Balance (3/8" Dia.)	1	1
FR-1820-342.....	H-34	Spiral Window Balance (3/8" Dia.)	1	1
FR-1820-343.....	H-34	Spiral Window Balance (3/8" Dia.)	1	1
FR-1920-340.....	H-34	Spiral Window Balance (3/8" Dia.)	1	1
FR-1920-341.....	H-34	Spiral Window Balance (3/8" Dia.)	1	1
FR-1920-342.....	H-34	Spiral Window Balance (3/8" Dia.)	1	1
FR-1920-343.....	H-34	Spiral Window Balance (3/8" Dia.)	1	1
FR-2020-340.....	H-34	Spiral Window Balance (3/8" Dia.)	1	1
FR-2020-341.....	H-34	Spiral Window Balance (3/8" Dia.)	1	1
FR-2020-342.....	H-34	Spiral Window Balance (3/8" Dia.)	1	1
FR-2020-343.....	H-34	Spiral Window Balance (3/8" Dia.)	1	1
FR-2120-340.....	H-34	Spiral Window Balance (3/8" Dia.)	1	1
FR-2120-341.....	H-34	Spiral Window Balance (3/8" Dia.)	1	1
FR-2120-342.....	H-34	Spiral Window Balance (3/8" Dia.)	1	1
FR-2120-343.....	H-34	Spiral Window Balance (3/8" Dia.)	1	1
FR-2220-340.....	H-34	Spiral Window Balance (3/8" Dia.)	1	1
FR-2220-341.....	H-34	Spiral Window Balance (3/8" Dia.)	1	1
FR-2220-342.....	H-34	Spiral Window Balance (3/8" Dia.)	1	1
FR-2220-343.....	H-34	Spiral Window Balance (3/8" Dia.)	1	1
FR-2320-340.....	H-34	Spiral Window Balance (3/8" Dia.)	1	1
FR-2320-341.....	H-34	Spiral Window Balance (3/8" Dia.)	1	1
FR-2320-342.....	H-34	Spiral Window Balance (3/8" Dia.)	1	1
FR-2320-343.....	H-34	Spiral Window Balance (3/8" Dia.)	1	1
FR-2420-340.....	H-34	Spiral Window Balance (3/8" Dia.)	1	1
FR-2420-341.....	H-34	Spiral Window Balance (3/8" Dia.)	1	1
FR-2420-342.....	H-34	Spiral Window Balance (3/8" Dia.)	1	1
FR-2420-343.....	H-34	Spiral Window Balance (3/8" Dia.)	1	1
FR-2520-340.....	H-34	Spiral Window Balance (3/8" Dia.)	1	1
FR-2520-341.....	H-34	Spiral Window Balance (3/8" Dia.)	1	1
FR-2520-342.....	H-34	Spiral Window Balance (3/8" Dia.)	1	1
FR-2520-343.....	H-34	Spiral Window Balance (3/8" Dia.)	1	1
FR-2620-340.....	H-34	Spiral Window Balance (3/8" Dia.)	1	1
FR-2620-341.....	H-34	Spiral Window Balance (3/8" Dia.)	1	1
FR-2620-342.....	H-34	Spiral Window Balance (3/8" Dia.)	1	1
FR-2620-343.....	H-34	Spiral Window Balance (3/8" Dia.)	1	1
FR-2720-340.....	H-34	Spiral Window Balance (3/8" Dia.)	1	1
FR-2720-341.....	H-34	Spiral Window Balance (3/8" Dia.)	1	1
FR-2720-342.....	H-34	Spiral Window Balance (3/8" Dia.)	1	1
FR-2720-343.....	H-34	Spiral Window Balance (3/8" Dia.)	1	1
FR-2820-340.....	H-34	Spiral Window Balance (3/8" Dia.)	1	1
FR-2820-341.....	H-34	Spiral Window Balance (3/8" Dia.)	1	1
FR-2820-342.....	H-34	Spiral Window Balance (3/8" Dia.)	1	1
FR-2820-343.....	H-34	Spiral Window Balance (3/8" Dia.)	1	1
FR-2920-340.....	H-34	Spiral Window Balance (3/8" Dia.)	1	1
FR-2920-341.....	H-34	Spiral Window Balance (3/8" Dia.)	1	1
FR-2920-342.....	H-34	Spiral Window Balance (3/8" Dia.)	1	1
FR-2920-343.....	H-34	Spiral Window Balance (3/8" Dia.)	1	1
FR-3020-340.....	H-34	Spiral Window Balance (3/8" Dia.)	1	1
FR-3020-341.....	H-34	Spiral Window Balance (3/8" Dia.)	1	1
FR-3020-342.....	H-34	Spiral Window Balance (3/8" Dia.)	1	1
FR-3020-343.....	H-34	Spiral Window Balance (3/8" Dia.)	1	1
FS-100**.....	H-28	Top Guide (For 5/8" channel balance)	1	1

Part No.	Page No.	Description	Package Quantity	Standard Pack
FS-101**	H-29	Top Guide (For 5/8" channel balance)	1	1
FS-102**	H-29	Top Guide (For 5/8" channel balance)	1	1
FS-103**	H-29	Top Guide (For 5/8" channel balance)	1	1
FS-150**	H-28	Bottom Guide (For 5/8" channel balance)	1	1
FS-151**	H-28	Bottom Guide (For 5/8" channel balance)	1	1
FS-152**	H-28	Bottom Guide (For 5/8" channel balance)	1	1
FS-153**	H-29	Bottom Guide (For 5/8" channel balance)	1	1
FS-154**	H-29	Bottom Guide (For 5/8" channel balance)	1	1
FS-100PB (50/bag)	H-28	Top Guide (For 5/8" channel balance)	50	1
FS-101PB (50/bag)	H-29	Top Guide (For 5/8" channel balance)	50	1
FS-102PB (50/bag)	H-29	Top Guide (For 5/8" channel balance)	50	1
FS-103PB (50/bag)	H-29	Top Guide (For 5/8" channel balance)	50	1
FS-150PB (50/bag)	H-28	Bottom Guide (For 5/8" channel balance)	50	1
FS-151PB (50/bag)	H-28	Bottom Guide (For 5/8" channel balance)	50	1
FS-152PB (50/bag)	H-28	Bottom Guide (For 5/8" channel balance)	50	1
FS-153PB (50/bag)	H-29	Bottom Guide (For 5/8" channel balance)	50	1
FS-154PB (50/bag)	H-29	Bottom Guide (For 5/8" channel balance)	50	1
FS-250B(100/bag)	H-31	Terminal Clip	100	1
FS-253B (100/bag)	H-31	Terminal Clip	100	1
FS-260B (100/bag)	H-31	Take-Out Clip	100	1
FS-261B (1000/bag)	H-31	Rivet	1000	1
FS-290B (Bagged)	H-28	Repair Kit (For 5/8" channel balance)	1 set	6
FS-291B (Bagged)	H-28	Repair Kit (For 5/8" channel balance)	1 set	6
FS-292B (Bagged)	H-28	Repair Kit (For 5/8" channel balance)	1 set	6
FS-293B (Bagged)	H-29	Repair Kit (For 5/8" channel balance)	1 set	6
FS-294B (Bagged)	H-29	Repair Kit (For 5/8" channel balance)	1 set	6
FS-295B (Bagged)	H-29	Repair Kit (For 5/8" channel balance)	1 set	6
FS-340** (Installed)	H-35	Clip (For 3/8" spiral balance)	1	1
FS-341** (Installed)	H-35	Clip (For 3/8" spiral balance)	1	1
FS-342** (Installed)	H-35	Clip (For 3/8" spiral balance)	1	1
FS-343** (Installed)	H-35	Clip (For 3/8" spiral balance)	1	1
H-3500	H-1	Casement Operator (Diecast - face mount)	1	6
H-3501	H-1	Casement Operator (Diecast - face mount)	1	6
H-3502	H-1	Casement Operator (Diecast - face mount)	1	6
H-3503	H-1	Casement Operator (Diecast - face mount)	1	6
H-3504	H-1	Casement Operator (Diecast - face mount)	1	6
H-3505	H-1	Casement Operator (Diecast - face mount)	1	6
H-3506	H-1	Casement Operator (Diecast - face mount)	1	6
H-3507	H-1	Casement Operator (Diecast - face mount)	1	6
H-3508	H-1	Casement Operator (Diecast - face mount)	1	6
H-3509	H-1	Casement Operator (Diecast - face mount)	1	6
H-3510	H-1	Casement Operator (Diecast - face mount)	1	6
H-3511	H-1	Casement Operator (Diecast - face mount)	1	6
H-3512	H-1	Casement Operator (Diecast - face mount)	1	6
H-3513	H-1	Casement Operator (Diecast - face mount)	1	6
H-3514	H-1	Casement Operator (Diecast - face mount)	1	6
H-3515	H-1	Casement Operator (Diecast - face mount)	1	6
H-3516	H-1	Casement Operator (Diecast - face mount)	1	6
H-3517	H-1	Casement Operator (Diecast - face mount)	1	6
H-3518	H-1	Casement Operator (Diecast - face mount)	1	6
H-3519	H-1	Casement Operator (Diecast - face mount)	1	6
H-3520	H-1	Casement Operator (Diecast - face mount)	1	6
H-3521	H-1	Casement Operator (Diecast - face mount)	1	6
H-3522	H-1	Casement Operator (Diecast - face mount)	1	6
H-3523	H-1	Casement Operator (Diecast - face mount)	1	6

INDEX - Window Hardware

Part No.	Page No.	Description	Package Quantity	Standard Pack
H-3524	H-2	Casement Operator (Diecast - surface mount)	1	6
H-3525	H-2	Casement Operator (Diecast - surface mount)	1	6
H-3526	H-2	Casement Operator (Diecast - surface mount)	1	6
H-3527	H-2	Casement Operator (Diecast - surface mount)	1	6
H-3528	H-2	Casement Operator (Diecast - surface mount)	1	1
H-3529	H-3	Casement Track (For steel casements)	2	1
H-3530	H-3	Casement Track (For wood or vinyl casements)	1	1
H-3531 (Aluminum)	H-4	Casement Operator Crank Handle	1	6
H-3532 (Bronze)	H-4	Casement Operator Crank Handle	1	6
H-3533 (Aluminum)	H-4	Casement Operator Crank Handle	1	6
H-3534 (Bronze)	H-4	Casement Operator Crank Handle	1	6
H-3535 (Aluminum)	H-4	Casement Operator Crank Handle	1	6
H-3536 (Aluminum)	H-5	Casement Operator Tee Handle	2	6
H-3537 (Aluminum)	H-5	Casement Operator Tee Handle	2	6
H-3538 (Aluminum)	H-5	Jalousie Operator Tee Handle	1	6
H-3539 (Aluminum)	H-10	Casement Locking Handle	1	6
H-3540 (Bronze)	H-10	Casement Locking Handle	1	6
H-3541 (Aluminum)	H-10	Casement Locking Handle	1	6
H-3542 (Aluminum)	H-10	Casement Locking Handle	1	6
H-3543 (Bronze)	H-10	Casement Locking Handle	1	6
H-3544 (Bronze)	H-10	Casement Locking Handle	1	6
H-3545 (Aluminum)	H-14	Universal Casement Lock Keeper	2	6
H-3546 (Aluminum)	H-16	Universal Louver Operator	1	6
H-3547 (Bronze)	H-16	Universal Louver Operator	1	6
H-3548 (Aluminum)	H-16	Jalousie Operator	1	1
H-3549 (Left hand)	H-16	Jalousie Operator (Aluminum)	1	1
H-3550 (Right hand)	H-16	Jalousie Operator (Aluminum)	1	1
H-3551 (Aluminum - 4-1/4" link)	H-16	Jalousie Operator	1	6
H-3552	H-18	Universal "Break-Off" Link	1	6
H-3553 (Brass)	H-14	Casement Lock	1	6
H-3554 (Left hand)	H-19	Universal Awning Operator (Aluminum)	1	6
H-3555 (Right hand)	H-19	Universal Awning Operator (Aluminum)	1	6
H-3556 (Left hand)	H-17	Jalousie Operator	1	1
H-3557 (Aluminum)	H-17	Jalousie Operator	1	6
H-3558 (Bronze)	H-17	Jalousie Operator	1	6
H-3559 (Left hand)	H-11	Casement Locking Handle	1	6
H-3560 (Right hand)	H-11	Casement Locking Handle	1	6
H-3561	H-10	Casement Locking Handle	1	6
H-3562	H-10	Casement Locking Handle	1	6
H-3563 (Left hand)	H-11	Casement Locking Handle	1	6
H-3564 (Right hand)	H-11	Casement Locking Handle	1	6
H-3565 (Bronze)	H-11	Casement Dual Locking Handle	1	6
H-3568	H-2	Casement Operator (Diecast - surface mount)	1	6
H-3569	H-2	Casement Operator (Diecast - surface mount)	1	6
H-3570	H-2	Casement Operator (Diecast - surface mount)	1	1
H-3571	H-2	Casement Operator (Diecast - surface mount)	1	1
H-3572 (Left hand)	H-4	Casement Lock (Bronze finish)	1	6
H-3573 (Right hand)	H-4	Casement Lock (Bronze finish)	1	6
H-3574 (Gold irridite finish)	H-14	Casement Lock Keeper	1	6
H-3575	H-3	Casement Operator Handle (Diecast)	1	6
H-3576 (Aluminum)	H-11	Casement Locking Handle	1	6
H-3577 (4-1/2 Pound)	H-24	Wood Window Sash Balance	1	5
H-3578 (6 Pound)	H-24	Wood Window Sash Balance	1	5
H-3579 (8 Pound)	H-24	Wood Window Sash Balance	1	5
H-3580 (10 Pound)	H-24	Wood Window Sash Balance	1	5

Part No.	Page No.	Description	Package Quantity	Standard Pack
H-3581	H-1	Casement Operator (Diecast - face mount)	1	6
H-3582	H-1	Casement Operator (Diecast - face mount)	1	6
H-3583	H-1	Casement Operator (Diecast - face mount)	1	6
H-3584	H-1	Casement Operator (Diecast - face mount)	1	6
H-3585	H-1	Casement Operator (Diecast - face mount)	1	6
H-3586	H-1	Casement Operator (Diecast - face mount)	1	6
H-3587	H-1	Casement Operator (Diecast - face mount)	1	6
H-3588	H-1	Casement Operator (Diecast - face mount)	1	6
H-3589	H-22	"Stanley" Awning Operator	1	6
H-3590 (Aluminum)	H-4	Awning Operator Crank Handle (3/8" Hex)	1	6
H-3591	H-22	Awning Operator Angle Adaptor	1	6
H-3592	H-6	Awning Operator Tee Handle	1	6
H-3594 (Bronze)	H-13	Project-In Transom Latch	1	6
H-3595	H-3	Casement Track (For wood casements)	1	1
H-3596 (Aluminum - left hand)	H-6	Casement Locking Handle (Offset base)	1	6
H-3597 (Aluminum - right hand)	H-6	Casement Locking Handle (Offset base)	1	6
H-3598 (Bronze - left hand)	H-6	Casement Locking Handle (Offset base)	1	6
H-3599 (Bronze - right hand)	H-6	Casement Locking Handle (Offset base)	1	6
H-3600 (Left hand)	H-6	Casement Locking Handle	1	6
H-3601 (Right hand)	H-6	Casement Locking Handle	1	6
H-3602 (Left hand)	H-7	Casement Locking Handle	1	6
H-3603 (Right hand)	H-7	Casement Locking Handle	1	6
H-3604 (Aluminum)	H-9	Casement Locking Strikeplate	1	6
H-3605 (Bronze)	H-9	Casement Locking Strikeplate	1	6
H-3606 (Left hand)	H-12	Casement Project-In Locking Handle	1	6
H-3607 (Right hand)	H-12	Casement Project-In Locking Handle	1	6
H-3608 (Left hand)	H-12	Casement Project-In Locking Handle	1	6
H-3609 (Right hand)	H-12	Casement Project-In Locking Handle	1	6
H-3610	H-13	Projecting Window Spring Catch	1	6
H-3611 (Bronze)	H-12	Casement Window Top Latch	1	6
H-3612 (Bronze)	H-12	Casement Window Bottom Latch	1	6
H-3613 (Aluminum - left hand)	H-17	Louver or Jalousie Operator	1	6
H-3614 (Aluminum - right hand)	H-17	Louver or Jalousie Operator	1	6
H-3615 (Bronze - left hand)	H-17	Louver or Jalousie Operator	1	6
H-3616 (Bronze - right hand)	H-17	Louver or Jalousie Operator	1	6
H-3617 (Left hand)	H-17	Louver or Jalousie Operator	1	6
H-3618 (Right hand)	H-17	Louver or Jalousie Operator	1	6
H-3619	H-18	Louver or Jalousie Glass Clip	1 pair	6
H-3620 (Left hand)	H-17	Louver or Jalousie Operator	1	6
H-3621 (Right hand)	H-17	Louver or Jalousie Operator	1	6
H-3622	H-18	Louver or Jalousie Glass Clip	1 pair	6
H-3623	H-18	Louver or Jalousie Glass Clip	1 pair	6
H-3624 (Bronze)	H-5	Casement Operator Tee Handle	2	6
H-3625 (Bronze)	H-5	Casement Operator Tee Handle	2	6
H-3626	H-15	Casement And Projecting Window Hinge	2	1
H-3627	H-15	Casement And Projecting Window Hinge	2	1
H-3628	H-15	Casement And Projecting Window Hinge	2	1
H-3629 (Bronze)	H-14	Project-Out Push-Bar Operator	1	1
H-3630 (12 Pound)	H-24	Wood Window Sash Balance	1	5
H-3631 (Bronze)	H-11	Casement Cam Lock	1	6
H-3632	H-23	Awning Operator Hex Drive Bar	1	6
H-3633	H-9	Casement Security Lock	1	6
H-3634	H-13	Casement Project-In Security Lock	1	6
H-3635	H-13	Casement Project-In Security Lock	1	6
H-3636	H-13	Casement Project-In Security Lock	1	6

INDEX - Window Hardware

Part No.	Page No.	Description	Package Quantity	Standard Pack
H-3637	H-13	Casement Project-In Security Lock	1	6
H-3638	H-15	Security Lock Wrench	1	6
H-3639	H-11	Casement Locking Handle	1	6
H-3640 (Left hand)	H-7	Casement & Hopper Window Handle	1	6
H-3641 (Right hand)	H-7	Casement & Hopper Window Handle	1	6
H-3642	H-7	Hopper Window Locking Handle	1	6
H-3643	H-7	Hopper Window Locking Handle	1	6
H-3644 (Left hand)	H-7	Casement Locking Handle	1	6
H-3645 (Right hand)	H-7	Casement Locking Handle	1	6
H-3646 (Left hand)	H-7	Casement or Projecting Window Locking Handle	1	6
H-3647 (Right hand)	H-7	Casement or Projecting Window Locking Handle	1	6
H-3648	H-8	Casement or Projecting Window Locking Handle	1	6
H-3649 (Left hand)	H-8	Casement or Projecting Window Locking Handle	1	6
H-3650 (Right hand)	H-8	Casement or Projecting Window Locking Handle	1	6
H-3651 (Left hand)	H-8	Casement or Projecting Window Locking Handle	1	6
H-3652 (Right hand)	H-8	Casement or Projecting Window Locking Handle	1	6
H-3653 (Red bronze - left hand)	H-8	Casement or Projecting Window Locking Handle	1	6
H-3654 (Red bronze - right hand)	H-8	Casement or Projecting Window Locking Handle	1	6
H-3655	H-8	Casement or Projecting Window Locking Handle	1	6
H-3656	H-8	Casement or Projecting Window Locking Handle	1	6
H-3657 (Bronze)	H-12	Casement Locking Handle	1	6
H-3658	H-9	Single Hole Locking Clevis & Screw	1	6
H-3659	H-9	Casement Locking Handle Strikeplate	1	6
H-3660	H-9	Casement Locking Handle Strikeplate	1	6
H-3661	H-12	Casement or Projecting Window Locking Handle	1	6
H-3662	H-15	Transom Latch Hook	1	6
H-3663	H-9	Casement Locking Handle Strikeplate	2	6
H-3665 (Left hand)	H-19	"Miami" Awning Operator (Aluminum)	1	6
H-3666 (Right hand)	H-19	"Miami" Awning Operator (Aluminum)	1	6
H-3667 (Left hand)	H-19	"Air Control-Keller" Awning Operator (Aluminum)	1	6
H-3668 (Right hand)	H-19	"Air Control-Keller" Awning Operator (Aluminum)	1	6
H-3669 (Left hand)	H-19	"Pan-American" Awning Operator (Aluminum)	1	6
H-3670 (Right hand)	H-19	"Pan-American" Awning Operator (Aluminum)	1	6
H-3671 (Left hand)	H-19	"Stanley-C & E" Awning Operator (Aluminum)	1	6
H-3672 (Right hand)	H-19	"Stanley-C & E" Awning Operator (Aluminum)	1	6
H-3673 (Left hand)	H-20	"Stanley" Awning Operator (Aluminum)	1	6
H-3674 (Right hand)	H-20	"Stanley" Awning Operator (Aluminum)	1	6
H-3675 (Left hand)	H-20	"A.B.C." Awning Operator (Aluminum)	1	6
H-3676 (Right hand)	H-20	"A.B.C." Awning Operator (Aluminum)	1	6
H-3677 (Left hand)	H-20	"Tucker" Awning Operator (Aluminum)	1	6
H-3678 (Right hand)	H-20	"Tucker" Awning Operator (Aluminum)	1	6
H-3679	H-23	Universal Awning Operator Link Assortment .1 set	1	6
H-3680	H-2	Casement Operator (Diecast - surface mount)	1	1
H-3681 (Left hand)	H-6	Casement Locking Handle	1	6
H-3682 (Right hand)	H-6	Casement Locking Handle	1	6
H-3683 (Antique brass)	H-14	Casement Lock	1	6
H-3684 (Chrome)	H-14	Casement Lock	1	6
H-3685 (Aluminum)	H-4	Casement Operator Crank Handle	1	6
H-3686 (Bronze)	H-4	Casement Operator Crank Handle	1	6
H-3687	H-2	Casement Operators (Diecast - surface mount)	1	1
H-3688	H-2	Casement Operators (Diecast - surface mount)	1	1
H-3689	H-23	Jalousie & Awning Link Groove Pin & "E" Ring	4	6
H-3690	H-23	Jalousie & Awning Link Groove Pin & "E" Ring	4	6
H-3691	H-24	Awning Link Repair Bolt & Bushing	4	6
H-3692	H-24	Awning Link Repair Bolt & Bushing	4	6

INDEX - Window Hardware

Part No.	Page No.	Description	Package Quantity	Standard Pack
H-3693 (Left hand)	H-20	"Look-Rusco" Awning Operator (Aluminum)	1	6
H-3694 (Right hand)	H-20	"Look-Rusco" Awning Operator (Aluminum)	1	6
H-3695 (Left hand)	H-20	"Nu-Aire" Awning Operator (Aluminum)	1	6
H-3696 (Right hand)	H-20	"Nu-Aire" Awning Operator (Aluminum)	1	6
H-3702 (Aluminum)	H-3	Casement Operator Mounting Brackets	2	6
H-3703 (Bronze)	H-3	Casement Operator Mounting Brackets	2	6
H-3704 (Zinc - left hand)	H-8	Casement or Projecting Window Locking Handle	1	6
H-3705 (Zinc - right hand)	H-8	Casement or Projecting Window Locking Handle	1	6
H-3706 (Carded)	H-28	Repair Kit (For 5/8" channel balance)	2 sets	6
H-3707 (Right hand)	H-17	Jalousie Operator	1	6
H-3708	H-1	Casement Operators (Diecast - face mount)	1	6
H-3709	H-1	Casement Operators (Diecast - face mount)	1	6
H-3710	H-1	Casement Operators (Diecast - face mount)	1	6
H-3711	H-1	Casement Operators (Diecast - face mount)	1	6
H-3712 (White)	H-4	Casement Operator Crank Handle	1	6
H-3713 (White)	H-4	Casement Operator Crank Handle	1	6
H-3714 (White)	H-5	Casement Operator Tee Handle	2	6
H-3715 (White)	H-5	Casement Operator Tee Handle	2	6
H-3716 (White)	H-10	Casement Locking Handle	1	6
H-3717 (White)	H-10	Casement Locking Handle	1	6
H-3718 (White)	H-10	Casement Locking Handle	1	6
H-3719 (Carded)	H-27	Repair Kit (For 5/8" channel balance)	2 sets	6
H-3753	H-15	Transom Pole & Hook	1	1
H-3754 (Carded)	H-27	Repair Kit (For 5/8" channel balance)	2 sets	6
H-3755 (Carded)	H-29	Repair Kit (For 5/8" channel balance)	2 sets	6
H-3756 (Carded)	H-29	Repair Kit (For 5/8" channel balance)	2 sets	6
H-3757 (Carded)	H-29	Repair Kit (For 5/8" channel balance)	2 sets	6
H-3758 (2/card)	H-36	Pivot Bar	2	6
H-3759 (2/card)	H-36	Balance Foot (5/8")	2	6
H-3785 (2/card)	H-35	Pivot Lock Shoe	2	6
H-3786 (2/card)	H-36	Pivot Lock Shoe	2	6
H-3799 (Left hand)	H-21	"Crown" Awning Operator (Aluminum)	1	6
H-3800 (Right hand)	H-21	"Crown" Awning Operator (Aluminum)	1	6
H-3801 (Coppertone)	H-5	Casement Operator Tee Handle	2	6
H-3802 (Bronze)	H-5	Casement Operator Tee Handle	2	6
H-3803 (Star Brown)	H-5	Casement Operator Tee Handle	2	6
H-3804 (White)	H-5	Casement Operator Tee Handle	2	6
H-3805 (Chestnut Bronze)	H-5	Casement Operator Tee Handle	2	6
H-3806 (Light Brass)	H-5	Casement Operator Tee Handle	2	6
H-3807 (Star Brown)	H-5	Casement Operator Tee Handle	2	6
H-3808 (Star Brown)	H-5	Casement Operator Tee Handle	2	6
H-3809 (Light Brass)	H-5	Casement Operator Tee Handle	2	6
H-3810 (Gray)	H-5	Awning Operator Tee Handle	2	6
H-3811 (White)	H-5	Awning Operator Tee Handle	2	6
H-3812 (Driftwood)	H-5	Casement Operator Tee Handle	2	6
H-3813 (Copper)	H-5	Casement Operator Tee Handle	2	6
H-3814 (White)	H-5	Casement Operator Tee Handle	2	6
H-3818 (White)	H-16	Universal Louver Operator	1	6
H-3819 (White)	H-17	Jalousie Operator	1	6
H-3820 (White - left hand)	H-6	Casement Locking Handle (Offset base)	1	6
H-3821 (White - right hand)	H-6	Casement Locking Handle (Offset base)	1	6
H-3823 (Light Brass)	H-5	Casement Operator Tee Handle	2	6
H-3824 (Bronze)	H-5	Casement Operator Tee Handle	2	6
H-3825 (Beige)	H-5	Casement Operator Tee Handle	2	6
H-3826 (Gold)	H-5	Casement Operator Tee Handle	2	6

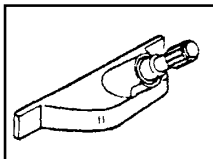
INDEX - Window Hardware

Part No.	Page No.	Description	Package Quantity	Standard Pack
H-3830	H-1	Casement Operator (Diecast - face mount)	1	6
H-3831	H-1	Casement Operator (Diecast - face mount)	1	6
H-3832	H-1	Casement Operator (Diecast - face mount)	1	6
H-3833	H-1	Casement Operator (Diecast - face mount)	1	6
H-3834 (14 Pound)	H-24	Wood Window Sash Balance	1	5
H-3835 (16 Pound)	H-24	Wood Window Sash Balance	1	5
H-3836 (White)	H-14	Casement Lock	1	6
H-3837 (2/card)	H-30	Sash Cam	2	6
H-3838 (2/card)	H-30	Sash Cam	2	6
H-3839 (Left hand)	H-21	"Anderson" Awning Operator (Aluminum)	1	6
H-3840 (Right hand)	H-21	"Anderson" Awning Operator (Aluminum)	1	6
H-3841 (Left hand)	H-21	"Harcar" Awning Operator (Aluminum)	1	6
H-3842 (Right hand)	H-21	"Harcar" Awning Operator (Aluminum)	1	6
H-3843 (Left hand)	H-21	"Old Tucker" Awning Operator (Aluminum)	1	6
H-3844 (Right hand)	H-21	"Old Tucker" Awning Operator (Aluminum)	1	6
H-3845 (Left hand)	H-21	"A.B.C." Awning Operator (Aluminum)	1	6
H-3846 (Right hand)	H-21	"A.B.C." Awning Operator (Aluminum)	1	6
H-3847 (Left hand)	H-22	"Ware" Awning Operator (Aluminum)	1	6
H-3848 (Right hand)	H-22	"Ware" Awning Operator (Aluminum)	1	6
H-3852	H-18	Jalousie Window Security Clip	20	6
H-3853 (Aluminum - left hand)	H-6	Casement Locking Handle (In-line base)	1	6
H-3854 (Aluminum - right hand)	H-6	Casement Locking Handle (In-line base)	1	6
H-3855 (Bronze - left hand)	H-6	Casement Locking Handle (In-line base)	1	6
H-3856 (Bronze - right hand)	H-6	Casement Locking Handle (In-line base)	1	6
H-3857 (White - left hand)	H-6	Casement Locking Handle (In-line base)	1	6
H-3858 (White - right hand)	H-6	Casement Locking Handle (In-line base)	1	6
H-3861 (Left hand)	H-22	"T.M." Awning Operator (Aluminum)	1	6
H-3862 (Right hand)	H-22	"T.M." Awning Operator (Aluminum)	1	6
H-3867 (#1)	H-24	Double Hung Adjustable Sash Balance	1	5
H-3868 (#2)	H-24	Double Hung Adjustable Sash Balance	1	5
H-3869 (#4)	H-24	Double Hung Adjustable Sash Balance	1	5
H-3870 (#5)	H-24	Double Hung Adjustable Sash Balance	1	1
H-3871 (4-1/2 Pound)	H-24	Side Mount Sash Balance	2	1
H-3872 (6 Pound)	H-24	Side Mount Sash Balance	2	1
H-3873 (8 Pound)	H-24	Side Mount Sash Balance	2	1
H-3874 (10 Pound)	H-24	Side Mount Sash Balance	2	1
H-3875 (12 Pound)	H-24	Side Mount Sash Balance	2	1
H-3876 (14 Pound)	H-24	Side Mount Sash Balance	2	1
H-3877 (16 Pound)	H-24	Side Mount Sash Balance	2	1
H-3878 (4-1/2 Pound)	H-25	Overhead Mount Sash Balance	2	1
H-3879 (6 Pound)	H-25	Overhead Mount Sash Balance	2	1
H-3880 (8 Pound)	H-25	Overhead Mount Sash Balance	2	1
H-3881 (10 Pound)	H-25	Overhead Mount Sash Balance	2	1
H-3882 (12 Pound)	H-25	Overhead Mount Sash Balance	2	1
H-3883 (14 Pound)	H-25	Overhead Mount Sash Balance	2	1
H-3884 (16 Pound)	H-25	Overhead Mount Sash Balance	2	1
H-3885 (Aluminum)	H-5	Casement Operator Universal Tee Handles	2	6
H-3886	H-1	Casement Operator (Diecast - face mount)	1	6
H-3887	H-1	Casement Operator (Diecast - face mount)	1	6
H-3888	H-15	Casement Lock Keeper	1	6
H-3890 (Bronze - 4-1/4" link)	H-16	Jalousie Operator	1	6
H-3891 (White - 4-1/4" link)	H-16	Jalousie Operator	1	6
H-3892 (White)	H-5	Casement Operator Universal Tee Handles	2	6
H-3893 (Satin bronze)	H-5	Casement Operator Universal Tee Handles	2	6
H-3894 (Dark brown)	H-5	Casement Operator Universal Tee Handles	2	6

Part No.	Page No.	Description	Package Quantity	Standard Pack
H-3895 (Driftwood)	H-5	Casement Operator Universal Tee Handles	2	6
H-3896 (Champagne)	H-5	Casement Operator Universal Tee Handles	2	6
H-3897 (2/card)	H-36	Pivot Bar	2	6
H-3898 (2/card)	H-30	Sash Cam	2	6
H-3899 (Left hand)	H-22	"Air Control" Awning Operator (Aluminum)	1	6
H-3900 (Right hand)	H-22	"Air Control" Awning Operator (Aluminum)	1	6
H-3902 (Red - for emergency exits)	H-10	Casement Locking Handle	1	6
H-3903 (Red - for emergency exits)	H-10	Casement Locking Handle	1	6
H-3904 (2/card)	H-30	Lift Hook	2	6
H-3905 (With storage hanger)	H-15	Transom Pole & Hook	1	1
H-3906 (Bronze)	H-14	Project-Out Push-Bar Operator	1	1
H-3907	H-1	Casement Operator (Diecast - face mount)	1	6
H-3908	H-1	Casement Operator (Diecast - face mount)	1	6
H-3909	H-1	Casement Operator (Diecast - face mount)	1	6
H-3910	H-1	Casement Operator (Diecast - face mount)	1	6
H-3911 (Left hand)	H-13	Casement Project-In Locking Handle	1	6
H-3912 (Right hand)	H-13	Casement Project-In Locking Handle	1	6
H-3913	H-13	Keeper	1	1
H-3914 (Deluxe)	H-2	Casement Operator (Diecast - surface mount)	1	6
H-3915 (Deluxe)	H-2	Casement Operator (Diecast - surface mount)	1	6
H-3916	H-23	Awning Crank & Extension	1	6
H-3917 (2/card)	H-30	Sash Cam	2	6
H-3918 (2/card)	H-30	Sash Cam	2	6
H-3920	H-36	Balance Foot (3/8")	2	6
H-3921	H-1	Casement Operator (Diecast - face mount)	1	6
H-3922	H-1	Casement Operator (Diecast - face mount)	1	6
H-3923	H-1	Casement Operator (Diecast - face mount)	1	6
H-3924	H-1	Casement Operator (Diecast - face mount)	1	6
H-3925	H-18	Universal Jalousie Link Assortment	1 set	6
H-3926	H-15	Security Lock Wrench	1	6
H-3927 (3/16")	H-23	Jalousie & Awning Link "E" Clip	4	6
H-3928 (1/4")	H-23	Jalousie & Awning Link "E" Clip	4	6
H-3929 (Carded)	H-28	Repair Kit (For 5/8" channel balance)	2 sets	6
H-3930 (Carded)	H-28	Repair Kit (For 5/8" channel balance)	2 sets	6
H-3932 (Aluminum - 3-5/8" link)	H-16	Jalousie Operator	1	6
H-3933 (Bronze - 3-5/8" link)	H-16	Jalousie Operator	1	6
H-3938 (White - 3-5/8" link)	H-16	Jalousie Operator	1	6

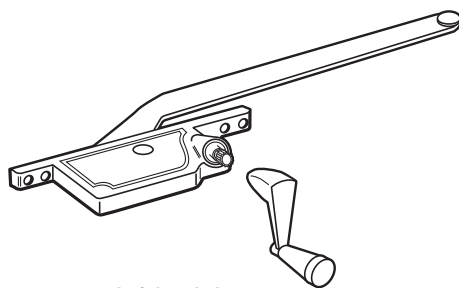
Square Type	Teardrop Type	Arm Length	Painted Finish	Hand*
H-3585	H-3581	6"	Aluminum	Left
H-3586	H-3582	6"	Aluminum	Right
H-3587	H-3583	6"	Bronze	Left
H-3588	H-3584	6"	Bronze	Right
—	H-3907	6"	White	Left
—	H-3908	6"	White	Right
H-3512	H-3500	7"	Aluminum	Left
H-3518	H-3506	7"	Aluminum	Right
H-3515	H-3503	7"	Bronze	Left
H-3521	H-3509	7"	Bronze	Right
—	H-3909	7"	White	Left
—	H-3910	7"	White	Right
H-3513	H-3501	8"	Aluminum	Left
H-3519	H-3507	8"	Aluminum	Right
H-3516	H-3504	8"	Bronze	Left
H-3522	H-3510	8"	Bronze	Right
H-3832	H-3830	8"	White	Left
H-3833	H-3831	8"	White	Right
H-3514	H-3502	9"	Aluminum	Left
H-3520	H-3508	9"	Aluminum	Right
H-3517	H-3505	9"	Bronze	Left
H-3523	H-3511	9"	Bronze	Right
H-3710	H-3708	9"	White	Left
H-3711	H-3709	9"	White	Right
H-3886	—	9"	Brass Plated	Left
H-3887	—	9"	Brass Plated	Right

* Hand determined by window hinge location from inside home looking out.



Spindle (For crank)

Square Type = 3/8" Diameter
Teardrop Type = 5/16" Diameter



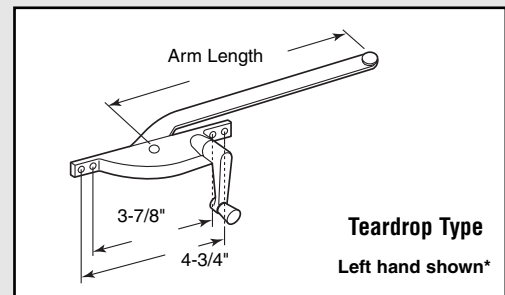
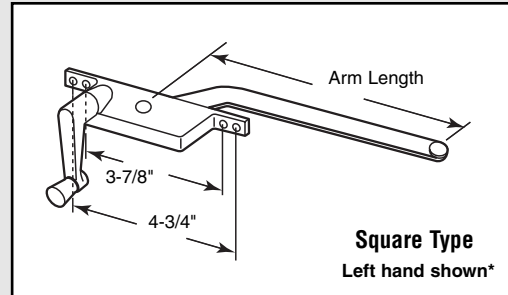
Left hand shown

Casement Operators (Diecast - face mount)

Contents: 1 operator; 1 crank handle and 1 set of installation screws.

Description: Worm gear mechanism driven; steel arm; square type has 3/8" diameter spindle and teardrop type has 5/16" diameter spindle; used on steel framed windows.

You may also wish to stock these related parts: H-3529, H-3531 thru H-3534, H-3536, H-3537, H-3712 thru H-3715.



Casement Operators (Diecast - face mount)

Contents: 1 operator; 1 crank handle and 1 set of installation screws.

Part No.	Painted Finish	Hand*
H-3921	Aluminum	Left
H-3922	Aluminum	Right
H-3923	Bronze	Left
H-3924	Bronze	Right

Call for Availability

* Hand determined by window hinge location from inside home looking out.

Description: Worm gear mechanism driven; steel arm; this style was used extensively in the Florida market.

Window Hardware

Casement Operators (Diecast - surface mount)

Contents: 1 operator; 1 crank handle and 1 set of installation screws.

Painted Part No.	Finish	Spindle Hand*	Dia.
H-3524	Aluminum	Left	3/8"
H-3525	Aluminum	Right	3/8"
H-3526	Bronze	Left	3/8"
H-3527	Bronze	Right	3/8"
H-3914 (Deluxe)	Bronze	Left	3/8"
H-3915 (Deluxe)	Bronze	Right	3/8"

* Hand determined by window hinge location from inside home looking out.

Description: Worm gear mechanism driven; **steel arm**; used on **wood window frames** by many manufacturers.

You may also wish to stock these related parts: **H-3531** thru **H-3534**, **H-3595**.

Casement Operators (Diecast - surface mount)

Contents: 1 operator; 1 crank handle and 1 set of installation screws.

Part No.	Arm Length	Painted Finish	Hand*	Spindle Dia.
H-3568	9-1/2"	Bronze	Left	11/32"
H-3569	9-1/2"	Bronze	Right	11/32"
H-3570	13-1/2"	Bronze	Left	11/32"
H-3571	13-1/2"	Bronze	Right	11/32"

* Hand determined by window hinge location from inside home looking out.

Description: Worm gear mechanism driven; **steel arm**; used on **wood and vinyl framed windows**.

You may also wish to stock these related parts: **H-3531** thru **H-3534**, **H-3530**, **H-3572**, **H-3573**.

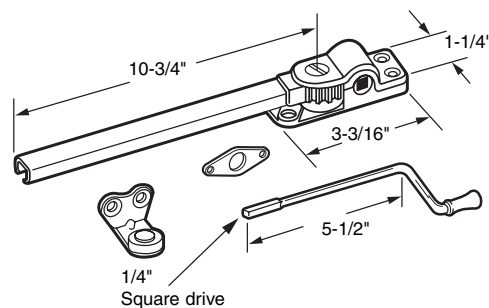
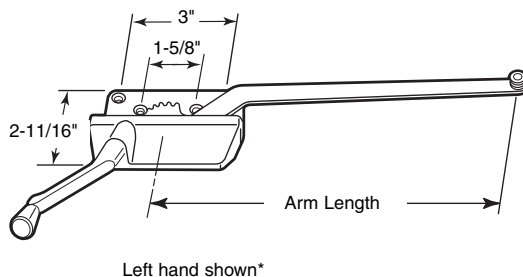
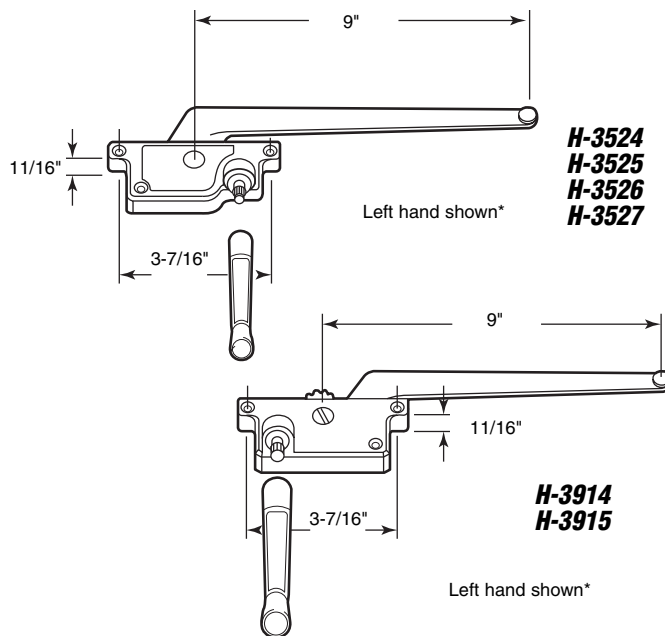
Casement Operators (Diecast - surface mount)

Contents: 1 operator; 1 crank handle and all mounting hardware

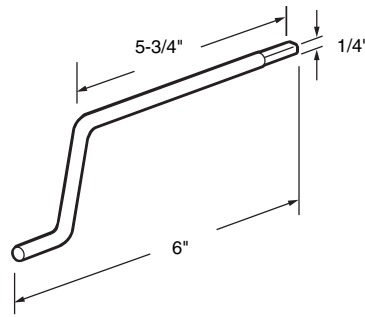
Part No.	Arm Finish	Package
H-3528	Uni-chrome	Skin card
H-3680	Uni-chrome	Display box
H-3687	Brass plated	Skin card
H-3688	Brass plated	Display box

Description: Reversible; non-handed; requires 1-3/8" space between screen and sash; **heavy cast worm gear with steel arm**; full 90° motion in both directions; fits on **Parlyn** and others on wood framed windows.

You may also wish to stock these related parts: **H-3575**.



H-3575



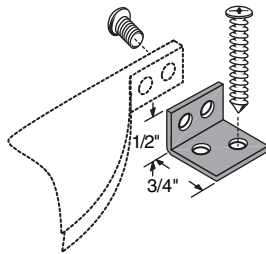
H-3575

Casement Operator Handle (Diecast)

Contents: 1 handle.

Description: Brass plated; 1/4" square shank; fits on *Wesco* and other type operators.

You may wish to stock these related parts: **H-3528, H-3580, H-3687, H-3688.**



**H-3702
H-3703**

H-3702 (Aluminum)

H-3703 (Bronze)

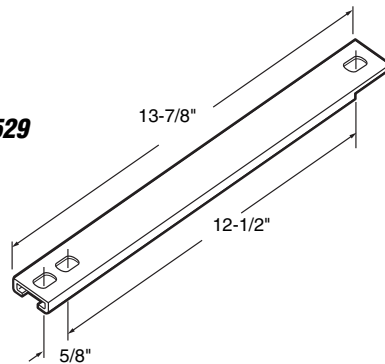
Casement Operator Mounting Brackets

Contents: 2 brackets; 1 set of installation screws.

Description: Used to convert face mounted operator to surface mounted operator for wood windows; **stamped steel construction**; 2 holes are threaded to provide machine screw assembly to operator.

You may wish to stock these related parts: **H-3500 thru H-3523, H-3581 thru H-3588.**

H-3529



H-3529

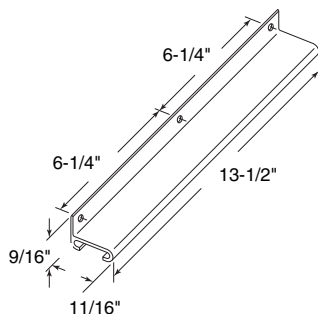
Casement Track (For steel casements)

Contents: 2 tracks with mounting screws.

Description: Aluminum track attaches to steel window; channel accepts guide rivet on end of operator arm to accommodate opening and closing of window.

You may wish to stock these related parts: **H-3500 thru H-3523, H-3581 thru H-3588, H-3708 thru H-3711.**

H-3595



H-3595

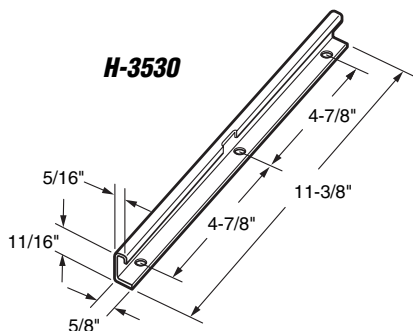
Casement Track (For wood casements)

Contents: 1 track with mounting screws.

Description: Extruded aluminum track attaches to wood window; channel accepts guide roller on end of operator arm to accommodate opening and closing of window.

You may wish to stock these related parts: **H-3524 thru H-3527, H-3914, H-3915.**

H-3530



H-3530

Casement Track (For wood or vinyl casements)

Contents: 1 track with mounting screws.

Description: Stamped steel track attaches to wood or vinyl windows; channel accepts guide roller on end of operator arm to accommodate opening and closing of window.

You may wish to stock these related parts: **H-3568 thru H-3571.**

Window Hardware

H-3572 (Left hand)

H-3573 (Right hand)

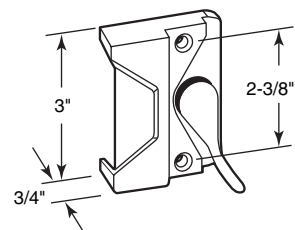
Casement Lock (Bronze finish)

Contents: 1 locking unit; 1 keeper; 1 set of installation screws.

Description: Diecast housing with steel locking mechanism and keeper; use by many manufacturers of wood and vinyl framed windows.

You may wish to stock these related parts: **H-3568 thru H-3571**.

H-3572
H-3573



Right hand shown*

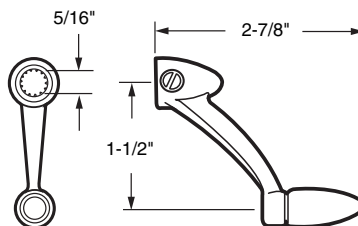
* Handing determined by window hinge location from *inside* home looking *out*, when unit is in the locked position.

H-3535 (Aluminum)

Casement Operator Crank Handle

Contents: 1 handle.

Description: Zinc diecast handle; 5/16" bore; fits on *Parlyn*.



H-3535

H-3590 (Aluminum)

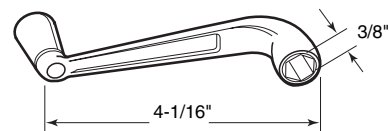
Awning Operator Crank Handle (3/8" Hex)

Contents: 1 handle with set screw.

Description: Zinc diecast handle; used with H-3591 operator and H-3632 hex drive bar.

You may wish to stock these related parts: **H-3589, H-3591, H-3632**.

H-3590



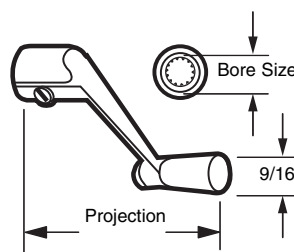
Casement Operator Crank Handle

Contents: 1 handle.

Part No.	Painted Finish	Bore Size	Projection
H-3531	Aluminum	5/16"	2-11/16"
H-3532	Bronze	5/16"	2-11/16"
H-3712	White	5/16"	2-11/16"
H-3686	Bronze	11/32"	3"
H-3533	Aluminum	3/8"	2-11/16"
H-3534	Bronze	3/8"	2-11/16"
H-3713	White	3/8"	2-11/16"
H-3685*	Aluminum	3/8"	3-1/2"

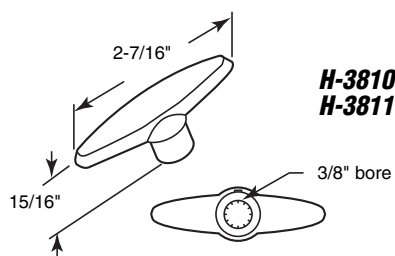
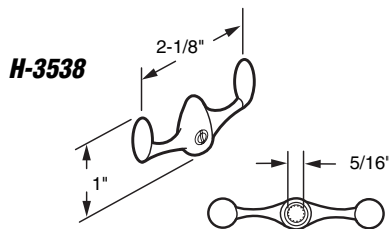
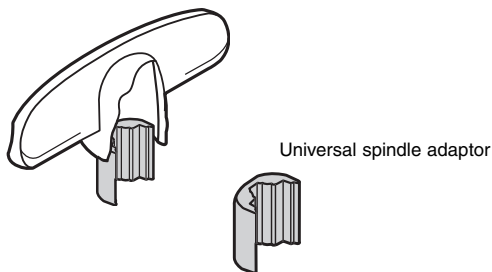
*Fits awning operators only.

Description: Diecast handle; universal design; this crank style handle offers excellent torque for easiest opening and closing of window.



Part No.	Painted Finish	Bore Size	Fits on
H-3536	Aluminum	5/16"	Many Mfrs.
H-3537	Aluminum	3/8"	Many Mfrs.
H-3624	Bronze	5/16"	Many Mfrs.
H-3625	Bronze	3/8"	Many Mfrs.
H-3714	White	5/16"	Many Mfrs.
H-3715	White	3/8"	Many Mfrs.
H-3823	Light Brass	5/16"	Many Mfrs.
H-3801	Coppertone	11/32"	Truth
H-3802	Bronze	11/32"	Truth
H-3803	Star Brown	11/32"	Truth
H-3804	White	11/32"	Truth
H-3805	Chestnut Bronze	11/32"	Truth
H-3806	Light Brass	11/32"	Truth
H-3825	Beige	11/32"	Truth
H-3826	Gold	11/32"	Truth
H-3807	Star Brown	5/16"	Many Mfrs.
H-3808	Star Brown	3/8"	Many Mfrs.
H-3809	Light Brass	3/8"	Anderson
H-3812	Driftwood	9/32"	Peachtree
H-3813	Copper	3/8"*	Pella
H-3814	White	3/8"*	Pella
H-3824	Bronze	7/16"	Marvin

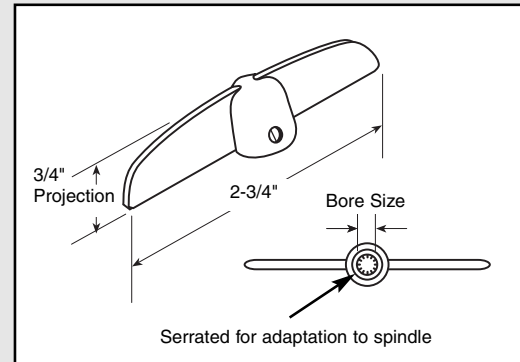
* This 3/8" bore has a special deep inset serration.



Casement Operator Tee Handle

Contents: 2 handles.

Description: Diecast handle; supplied with set screw; replaces most crank style handles and does not interfere with blinds, shades and shutters, etc; colors vary to various manufacturers' specifications.



H-3885 (Aluminum)

H-3892 (White)

H-3893 (Satin bronze)

H-3894 (Dark brown)

H-3895 (Driftwood)

H-3896 (Champagne)

Casement Operator *Universal* Tee Handles

Contents: 2 handles; 2 universal spindle adapters.

Description: Diecast handles; 2 diecast adapters for different popular bore sizes; adapter fits over spindle on operator; tee-handle then fits over adapter and is locked on to spindle with set screw.

H-3538 (Aluminum)

Jalousie Operator Tee Handle

Contents: 1 handle.

Description: Diecast handle; fits 5/16" spindle as fits on *Parlyn*.

H-3810 (Gray)

H-3811 (White)

Awning Operator Tee Handle

Contents: 2 handles.

Description: Diecast handle; universal design with 3/8" bore size.

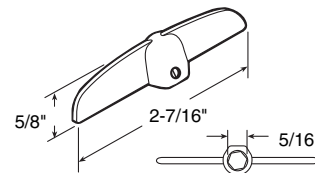
H-3592

Awning Operator Tee Handle

Contents: 1 handle.

Description: Diecast handle; uniquely designed for 5/16" hex drive operators.

H-3592



H-3596 (Aluminum - left hand)

H-3597 (Aluminum - right hand)

H-3598 (Bronze - left hand)

H-3599 (Bronze - right hand)

H-3820 (White - left hand)

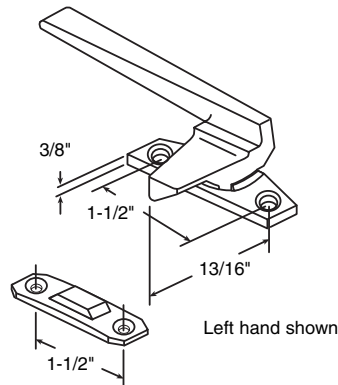
H-3821 (White - right hand)

Casement Locking Handle (Offset base)

Contents: 1 locking handle; 1 keeper; 1 set of installation screws.

Description: Diecast locking handle and keeper with 1-1/2" hole centers; similar to *Truth* hardware; uses #10 flat head machine screws commonly used on metal framed windows.

You may wish to stock these related parts: **H-3604**, **H-3605**.



H-3853 (Aluminum - left hand)

H-3854 (Aluminum - right hand)

H-3855 (Bronze - left hand)

H-3856 (Bronze - right hand)

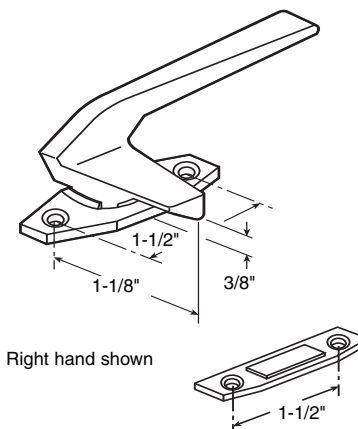
H-3857 (White - left hand)

H-3858 (White - right hand)

Casement Locking Handle (In-line base)

Contents: 1 locking handle; 1 keeper; 1 set of installation screws.

Description: Diecast locking handle and keeper with 1-9/16" hole centers; uses #8 sheet metal screws for application to wood framed windows.



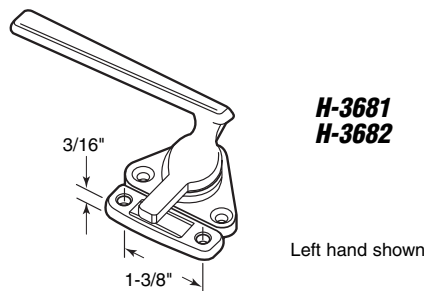
H-3681 (Left hand)

H-3682 (Right hand)

Casement Locking Handle

Contents: 1 handle; 1 strike; 1 set of installation screws.

Description: Zinc diecast locking handle; aluminum finish.



H-3681
H-3682

H-3600 (Left hand)

H-3601 (Right hand)

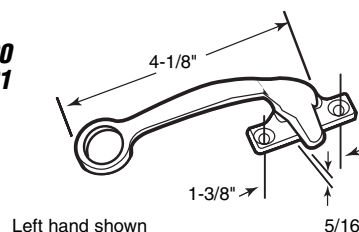
Casement Locking Handle

Contents: 1 handle.

Description: Heavy bronze casting; 1-3/8" hole centers for steel windows; hole in lock handle allows it to be used, in elevated location, for pole operation.

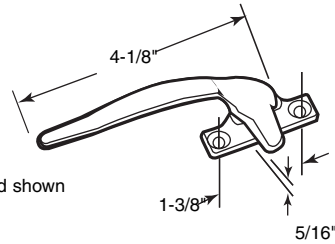
You may wish to stock these related parts: **H-3659**.

H-3600
H-3601



H-3602
H-3603

Left hand shown



H-3602 (Left hand)

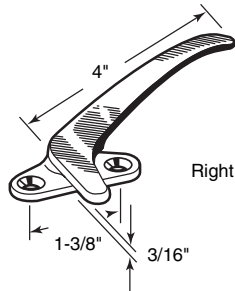
H-3603 (Right hand)

Casement Locking Handle

Contents: 1 handle.

Description: Heavy bronze casting; polished finish; 1-3/8" hole centers for steel windows; used by many commercial window manufacturers.

You may wish to stock these related parts: **H-3659**.



Right hand shown

H-3640
H-3641

H-3640 (Left hand)

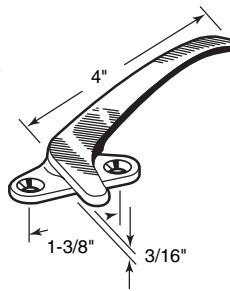
H-3641 (Right hand)

Casement Window Handle

Contents: 1 handle; 1 set of installation screws.

Description: Polished red bronze (85% copper); 1-3/8" hole centers; used on many casement windows.

H-3642



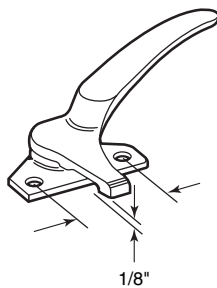
H-3642

Hopper Window Locking Handle

Contents: 1 handle; 1 set of installation screws.

Description: Heavy bronze casting; dark bronze finish; 1-3/8" hole centers; used as top handle on project-out windows.

You may wish to stock these related parts: **H-3643**.



H-3644
H-3645

Right hand shown

H-3644 (Left hand)

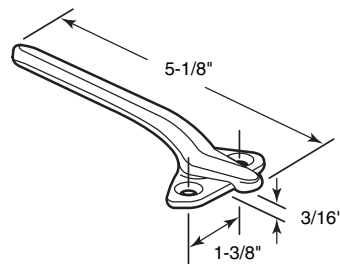
H-3645 (Right hand)

Casement Locking Handle

Contents: 1 handle; 1 set of installation screws.

Description: Heavy bronze casting; dark bronze finish; used on steel projecting and casement windows; 1-1/4" hole centers.

H-3643



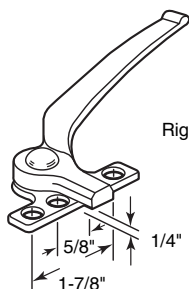
H-3643

Hopper Window Locking Handle

Contents: 1 handle; 1 set of installation screws.

Description: Heavy bronze casting; dark bronze epoxy finish; used as bottom handle on hopper windows.

You may wish to stock these related parts: **H-3642**.



Right hand shown

H-3646
H-3647

H-3646 (Left hand)

H-3647 (Right hand)

Casement or Projecting Window Locking Handle

Contents: 1 handle; 1 set of installation screws.

Description: Heavy bronze casting; dark bronze finish; 4 hole mounting bracket; used as a top handle on dual hopper windows.

You may wish to stock these related parts: **H-3648**.

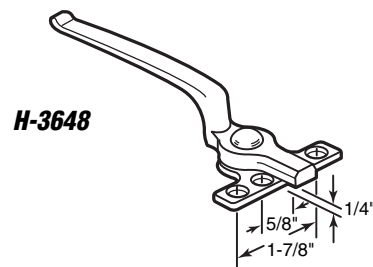
H-3648

Casement or Projecting Window Locking Handle

Contents: 1 handle; 1 set of installation screws.

Description: Heavy bronze casting; dark bronze finish; 4 hole mounting bracket; used as a **bottom handle** on dual hopper windows.

You may wish to stock these related parts: **H-3646, H-3647.**



H-3649 (Left hand)

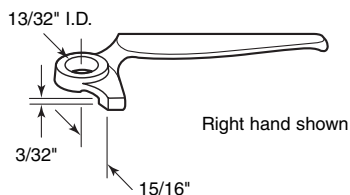
H-3650 (Right hand)

Casement or Projecting Window Locking Handle

Contents: 1 handle.

Description: Heavy bronze casting; dark bronze finish; locking handle fits on old style *Fenestra* windows.

You may wish to stock these related parts: **H-3658.**



**H-3649
H-3650**

H-3651 (Left hand)

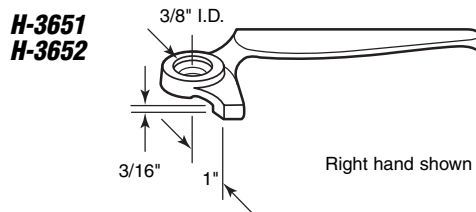
H-3652 (Right hand)

Casement or Projecting Window Locking Handle

Contents: 1 handle.

Description: Heavy bronze casting; dark bronze finish; locking handle fits on *Fenestra* windows.

You may wish to stock these related parts: **H-3658.**



**H-3651
H-3652**

H-3653 (Red bronze - left hand)*

H-3654 (Red bronze - right hand)*

H-3704 (Zinc - left hand)

H-3705 (Zinc - right hand)

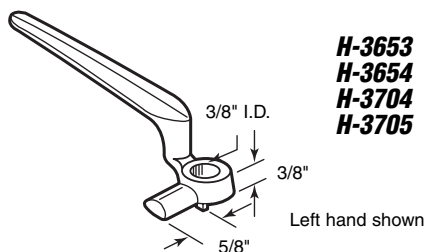
Casement or Projecting Window Locking Handle

Contents: 1 handle.

Description: Zinc & red bronze castings; locking handle used on old style casement windows; fits on *Fenestra* and others.

*Call for availability on these items.

You may wish to stock these related parts: **H-3658.**



**H-3653
H-3654
H-3704
H-3705**

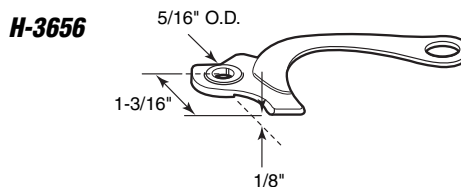
H-3656

Casement or Projecting Window Locking Handle

Contents: 1 handle.

Description: Red bronze casting (81% copper); locking handle used on old style steel windows.

You may wish to stock these related parts: **H-3658.**



H-3656

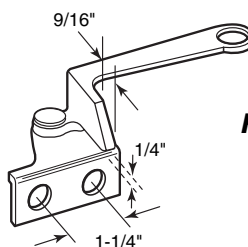
H-3655

Casement or Projecting Window Locking Handle

Contents: 1 handle.

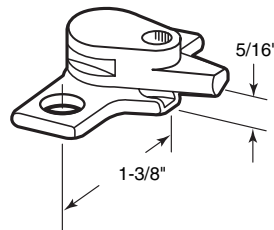
Description: Polished red bronze casting (81% copper); fits in upper position on *Lupton* dual projecting windows.

You may wish to stock these related parts: **H-3661.**



H-3655

H-3633



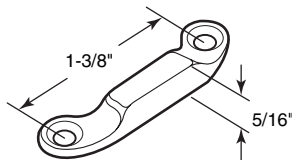
H-3633

Casement Security Lock

Contents: 1 lock; 1 set of installation screws.

Description: Heavy bronze casting; used to prevent accidental opening; often referred to as an air conditioner lock; 1-3/8" hole centers; fits most steel windows.

You may wish to stock these related parts: H-3638, H-3659, H-3926.



H-3659

H-3659

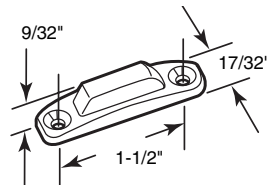
Casement Locking Handle Strikeplate

Contents: 1 strike; 1 set of installation screws.

Description: Heavy bronze casting; strike used with many different types of locking handles.

You may wish to stock these related parts: H-3600 thru H-3603.

**H-3604
H-3605**



H-3604 (Aluminum)

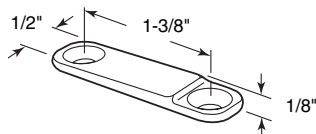
H-3605 (Bronze)

Casement Locking Strikeplate

Contents: 1 strike housing; 1 strike insert; 1 set of installation screws.

Description: Nylon strike insert provides long lasting, trouble free wear; diecast base in painted finishes.

You may wish to stock these related parts: H-3596 thru H-3599.



H-3663

H-3663

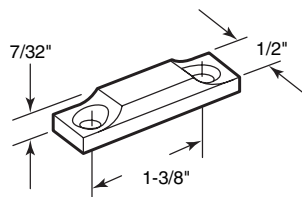
Casement Locking Handle Strikeplate

Contents: 2 strikes.

Description: Extruded aluminum strike has angled surface plate; 1-3/8" hole centers; 3/16" maximum height.

You may wish to stock these related parts: H-3659, H-3660.

H-3660



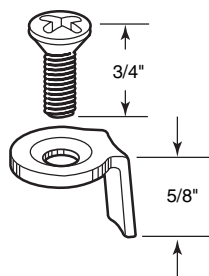
H-3660

Casement Locking Handle Strikeplate

Contents: 1 strike; 1 set of installation screws.

Description: Heavy bronze casting; used with many different types of locking handles.

You may wish to stock these related parts: H-3600 thru H-3603.



H-3658

H-3658

Single Hole Locking Clevis & Screw

Contents: 1 clevis; 1 screw with washer.

Description: Assembly used to attach one hole locking handles; dark bronze finish.

You may wish to stock these related parts: H-3649 thru H-3654, H-3656.

H-3539 (Aluminum)
H-3540 (Bronze)
H-3716 (White)

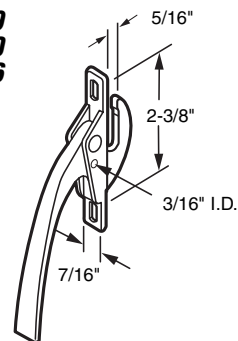
Casement Locking Handle

Contents: 1 handle; 1 set of installation screws.

Description: Painted diecast window lock for aluminum or steel windows; accepts a 1/8" security pin, **S-4071**.

You may wish to stock these related parts: **H-3545**, **S-4071**.

H-3539
H-3540
H-3716



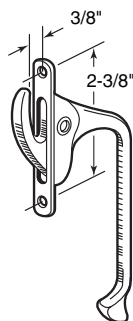
H-3561

Casement Locking Handle

Contents: 1 handle.

Description: Dark bronze casting; non-handed; 2-3/8" hole centers.

You may wish to stock these related parts: **H-3545**.



H-3561

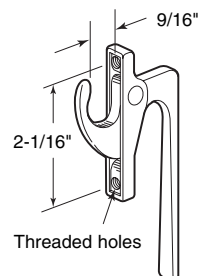
H-3562

Casement Locking Handle

Contents: 1 handle.

Description: White bronze casting; dark bronze finish; internally threaded #12-24 mounting holes; fits on *Fenestra* windows.

H-3562



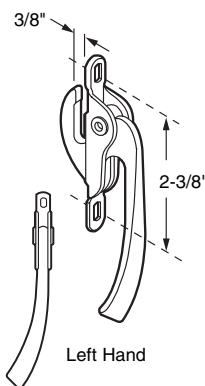
H-3541 (Aluminum)
H-3543 (Bronze)
H-3717 (White)
H-3902 (Red - for emergency exits)

Casement Locking Handle (Left hand)

Contents: 1 handle; 1 set of installation screws.

Description: Left hand; painted diecast locking handle used on double windows with narrow center rail.

You may wish to stock these related parts: **H-3544**, **H-3545**.



H-3541
H-3543
H-3717
H-3902

H-3542 (Aluminum)
H-3544 (Bronze)
H-3718 (White)
H-3903 (Red - for emergency exits)

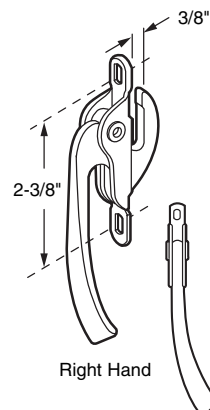
Casement Locking Handle (Right hand)

Contents: 1 handle; 1 set of installation screws.

Description: Right hand; painted diecast locking handle used on double windows with narrow center rail.

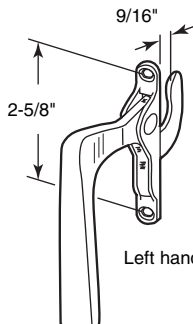
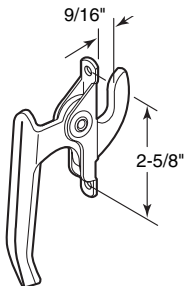
You may wish to stock these related parts: **H-3543**, **H-3545**.

H-3542
H-3544
H-3718
H-3903



H-3559
H-3560

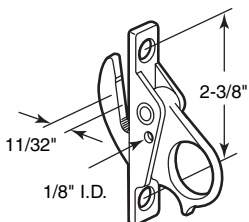
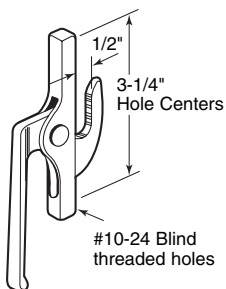
Left hand shown



H-3563
H-3564

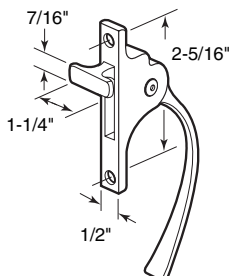
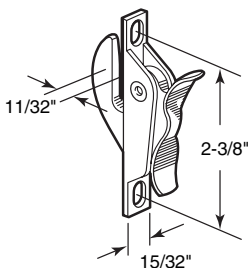
Left hand shown

H-3639



H-3576

H-3631



H-3565

H-3559 (Left hand)

H-3560 (Right hand)

Casement Locking Handle

Contents: 1 handle.

Description: Stamped steel construction; aluminum finish; fits on *Fenestra* windows.

You may wish to stock these related parts: **H-3563**, **H-3564**.

H-3563 (Left hand)

H-3564 (Right hand)

Casement Locking Handle

Contents: 1 handle.

Description: White bronze casting; polished finish; 2-5/8" hole centers; fits on *Fenestra* and *Ceco* windows.

H-3639

Casement Locking Handle

Contents: 1 handle; 1 set of mounting screws.

Description: Heavy bronze casting; 3-1/4" hole centers; no. 10-24 blind mounting holes; fits on *Thorn* on steel windows.

You may wish to stock these related parts: **H-3545**, **H-3562**.

H-3576 (Aluminum)

Casement Locking Handle

Contents: 1 handle; 1 set of installation screws.

Description: Ring type locking handle; zinc diecast painted finish; 2-3/8" hole centers.

You may wish to stock these related parts: **H-3545**, **S-4071**.

H-3631 (Bronze)

Casement Cam Lock

Contents: 1 lock; 1 set of installation screws.

Description: Painted zinc diecast; thumb operated; for aluminum, steel or wood windows.

You may wish to stock these related parts: **H-3545**.

H-3565 (Bronze)

Casement Dual Locking Handle

Contents: 1 handle.

Description: Painted diecast locking handle; dual latch engages 2 windows at once; fits on *Lupton* windows.

You may wish to stock these related parts: **H-3566**, **H-3567**.

H-3612 (Bronze)

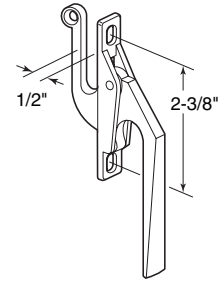
Casement Window Bottom Latch (Dual Locking)

Contents: 1 handle; 1 set of installation screws.

Description: Painted zinc diecast bottom latch used on dual locking windows; connects to H-3611 top latch with a tie bar.

You may wish to stock these related parts: H-3545.

H-3612



H-3611 (Bronze)

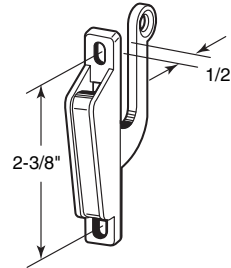
Casement Window Top Latch (Dual Locking)

Contents: 1 handle; 1 set of installation screws.

Description: Painted zinc diecast top latch used on dual locking windows; connects to H-3612 bottom latch with a tie bar.

You may wish to stock these related parts: H-3545.

Call for
Availability



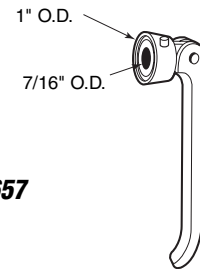
H-3611

H-3657 (Bronze)

Casement Locking Handle

Contents: 1 handle.

Description: Painted zinc diecast locking handle fits on very old *Fenestra* windows; handle is spring loaded and pulls out.



H-3657

H-3606 (Left hand)

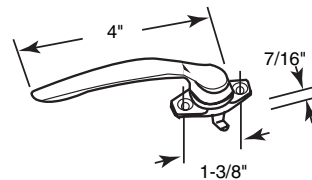
H-3607 (Right hand)

Casement Project-In Locking Handle (7/16")

Contents: 1 handle; 1 set of installation screws.

Description: 7/16" hook projection; heavy bronze casting; 1-3/8" hole centers; used on steel windows.

You may wish to stock these related parts: H-3608, H3609, H3634 thru H-3637, H-3659, H-3660.



**H-3606
H-3607**

Left hand shown

H-3608 (Left hand)

H-3609 (Right hand)

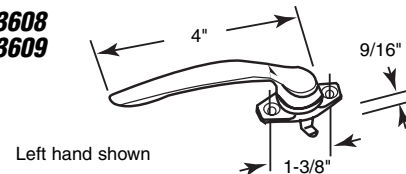
Casement Project-In Locking Handle (9/16")

Contents: 1 handle; 1 set of installation screws.

Description: 9/16" hook projection; heavy bronze casting; 1-3/8" hole centers; used on steel windows.

You may wish to stock these related parts: H-3606, H-3607, H-3634 thru H-3637, H-3659, H-3660.

**H-3608
H-3609**



Left hand shown

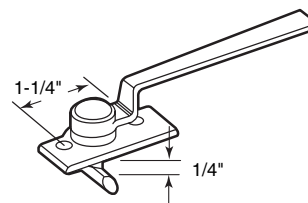
H-3661

Casement or Projecting Window Locking Handle

Contents: 1 handle.

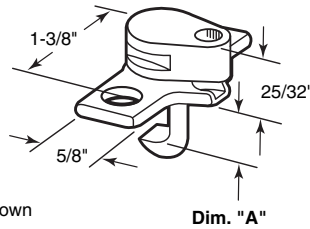
Description: Red bronze casting (81% copper); bottom locking handle fits on old style projecting windows manufactured by *Lupton*.

You may wish to stock these related parts: H-3655.



H-3661

**H-3634
H-3635
H-3636
H-3637**



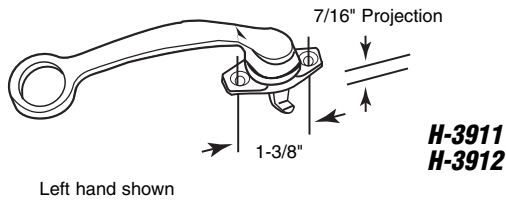
Casement Project-In Security Lock

Contents: 1 lock; 1 set of installation screws.

Part No.	Dim. "A"	Hand
H-3634	7/16"	Left
H-3635	7/16"	Right
H-3636	9/16"	Left
H-3637	9/16"	Right

Description: Heavy bronze casting; used to prevent accidental opening; often referred to as an air conditioner lock; 1-3/8" hole centers; fits most steel windows.

You may wish to stock these related parts: H-3659, H-3660, H-3926.



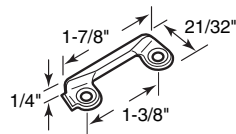
H-3911 (Left hand)
H-3912 (Right hand)

Casement Project-In Locking Handle

Contents: 1 handle; 1 set of installation screws.

Description: Cast white bronze locking handle; 7/16" hook projection; 1-3/8" hole centers; used on steel windows.

H-3594



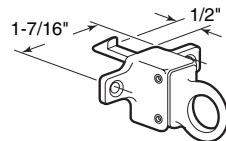
H-3594 (Bronze)

Project-In Transom Latch

Contents: 1 latch; 1 keeper; 1 set of installation screws.

Description: Steel pole ring and latch hook; cast bronze housing; used on project-in windows; used by many manufacturers.

You may wish to stock these related parts: H-3626 thru H-3628.



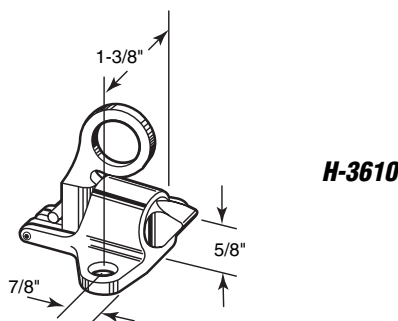
H-3610

Projecting Window Spring Catch

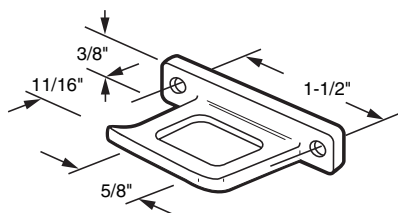
Contents: 1 catch; 1 set of installation screws.

Description: Spring catch with ring is used on project-in or project-out windows; brushed white bronze finish; heavy bronze casting.

You may wish to stock these related parts: H-3626 thru H-3628.



H-3913



H-3913

Keeper

Contents: 1 keeper.

Description: White bronze casting; used with H-3610 spring catch.

H-3629 (Bronze)

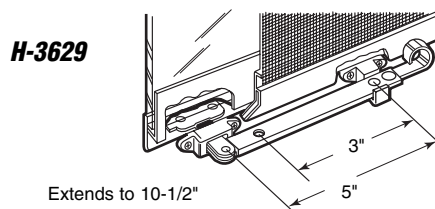
Project-Out Push-Bar Operator

Contents: 1 operator; 1 thru frame guide; 1 arm holder; 1 set of installation screws.

Description: Painted steel operator used to open old style projecting windows; extends to 10-1/2"; used by many window manufacturers.

You may wish to stock these related parts: **H-3626** thru **H-3628**.

Call for Availability



H-3906 (Bronze)

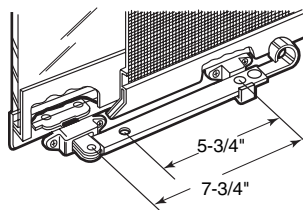
Project-Out Push-Bar Operator

Contents: 1 operator; 1 thru frame guide; 1 arm holder; 1 set of installation screws.

Description: Painted steel operator used to open old style projecting windows; extends to 16"; used by many window manufacturers.

You may wish to stock these related parts: **H-3626** thru **H-3628**.

Call for Availability



H-3553 (Brass)

H-3683 (Antique brass)

H-3684 (Chrome)

H-3836 (White)

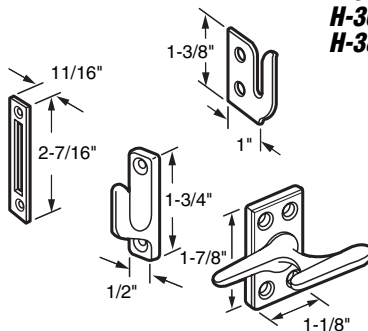
Casement Lock

Contents: 1 lock; 3 keepers; 1 set of installation screws.

Description: Painted or plated zinc diecast locking handle has 3 different keepers for special mounting applications; used on old style wood casement windows.

You may wish to stock these related parts: **H-3528**, **H-3575**, **H-3680**.

H-3553
H-3683
H-3684
H-3836



H-3545 (Aluminum)

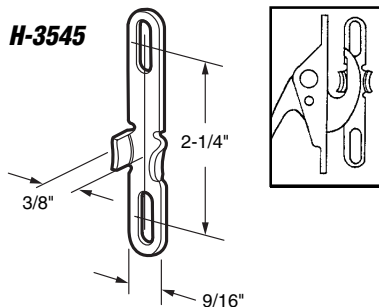
Universal Casement Lock Keeper

Contents: 2 keepers; 2 sets of installation screws.

Description: Stamped aluminum keeper works on many types of casement windows.

You may wish to stock these related parts: **H-3539**, **H-3540**.

H-3545



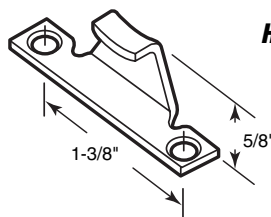
H-3574 (Gold irridite finish)

Casement Lock Keeper

Contents: 1 keeper; 1 set of installation screws.

Description: Keeper for **H-3572** and **H-3573** casement locks; stamped steel construction.

H-3574



H-3888

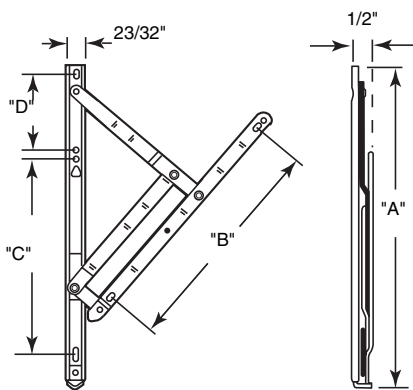


H-3888

Casement Lock Keeper

Contents: 1 keeper; 1 set of installation screws.

Description: **Stainless steel keeper;** may be used on a variety of casement locks; reverse for left or right hand locks.



**H-3626
H-3627
H-3628**

Casement And Projecting Window Hinge (4-Bar)

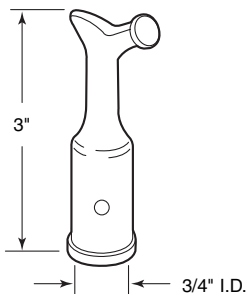
Contents: 2 hinges; 1 set of installation screws.

Part No.	Dim. A	Dim. B	Dim. C	Dim. D
H-3626	8"	4-3/4"	5-5/32"	1-5/8"
H-3627	10"	5-3/4"	6-1/32"	2-3/4"
H-3628	12"	6-3/4"	6-15/16"	3-7/8"

Description: **Stainless steel,** non-handed 4 bar hinge with stop and adjustable friction pad; used by many window manufacturers; standard duty.

You may also wish to stock these related parts: **H-3596 thru H-3598.**

H-3662



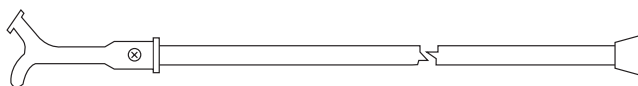
H-3662

Transom Latch Hook

Contents: 1 hook.

Description: **White bronze casting;** fits a 3/4" diameter pole; for ring pull handles and latches on upper story windows.

You may wish to stock these related parts: **H-3600, H-3601, H-3610.**



**H-3753
H-3905**

H-3753

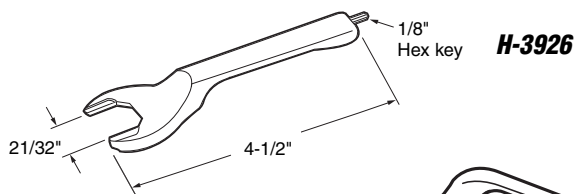
H-3905 (With storage hanger)

Transom Pole & Hook

Contents: 1 - 6' pole; 1 hook; 1 rubber tip; 1 screw.

Description: **Cast white bronze hook;** 3/4" diameter aluminum pole; ideal for reaching and actuating ring latches on upper story windows.

You may wish to stock these related parts: **H-3600, H-3601, H-3610.**



H-3926

H-3638 (5/32" hex wrench)

H-3926 (1/8" hex wrench)*

Security Lock Wrench

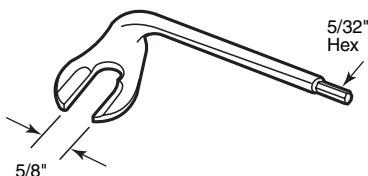
Contents: 1 wrench.

Description: **Heavy bronze casting;** used to lock and unlock "project-in" security locks; also has hex tool to secure set screw; polished finish.

*Call for availability on this item.

You may wish to stock these related parts: **H-3633 thru H-3637.**

H-3638



Universal Louver Operator

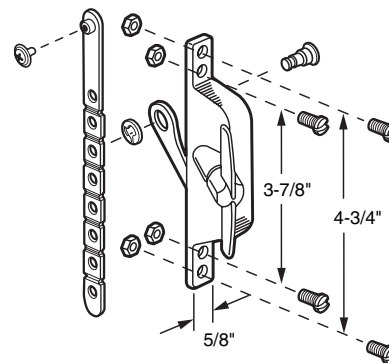
Contents: 1 operator with link; 1 set of installation fasteners.

Bulk: 25 per display box.

Finish	Carded Part No.	Bulk Part No.
Aluminum	H-3546	CCEP-3546
Bronze	H-3547	CCEP-3547
White	H-3818	CCEP-3818

Description: Replaces most operators currently in use; **diecast** construction; reversible; non-handed; universal break-off link has 1/2" hole spacings up to 5-5/16"; has a 5/16" spindle and **diecast** "T" handle.

You may wish to stock these related parts: **H-3552, H-3557, S-4070, S-4072.**



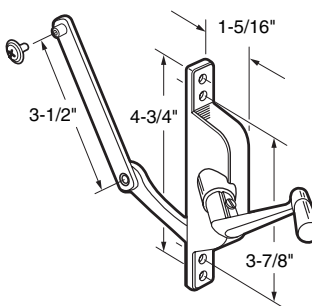
H-3548 (Carded) CCEP-3548 (Bulk)

Jalousie Operator (Aluminum)

Contents: 1 operator with link; 1 set of installation fasteners.

Bulk: 25 per display box.

Description: **Diecast** operator with crank handle at the center position; 3-1/2" link.



**H-3548
CCEP-3548**

H-3549 (Left hand - carded) CCEP-3549 (Left hand - bulk) H-3550 (Right hand - carded) CCEP-3550 (Right hand - bulk)

Jalousie Operator (Aluminum)

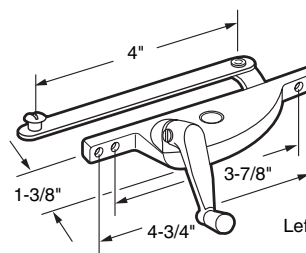
Contents: 1 operator with link; 1 set of installation fasteners.

Bulk: 25 per display box.

Description: **Diecast** operator with crank handle at the offset position; 4" link.

You may wish to stock these related parts: **S-4070, S-4072.**

H-3549 CCEP-3549 H-3550 CCEP-3550



Left hand shown

Jalousie Operator

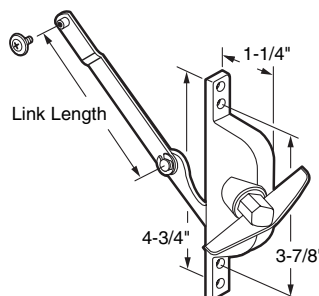
Contents: 1 operator with link; 1 set of installation fasteners.

Bulk: 25 per display box.

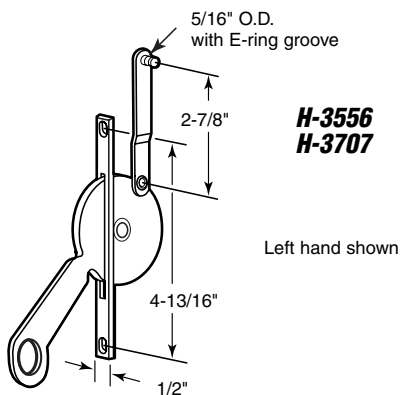
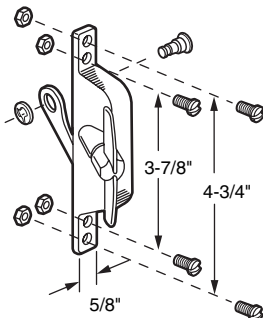
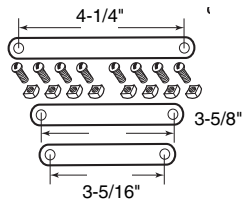
Finish	4-1/4" Link	3-5/8" Link
Aluminum	H-3551	H-3932
Bronze	H-3890	H-3933
White	H-3891	H-3938
Aluminum (Bulk)	CCEP-3551	—

Description: **Diecast** operator fits on **Daryl** windows; **offset** link; center position "T" handle.

You may wish to stock these related parts: **S-4070, S-4072.**

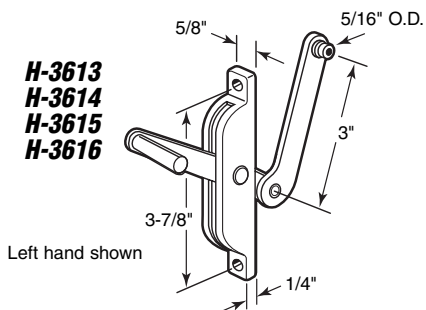


H-3557
H-3558
H-3819
CCEP-3557



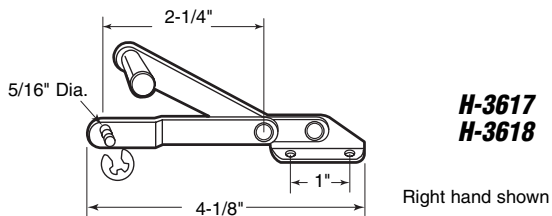
H-3556
H-3707

Left hand shown



H-3613
H-3614
H-3615
H-3616

Left hand shown

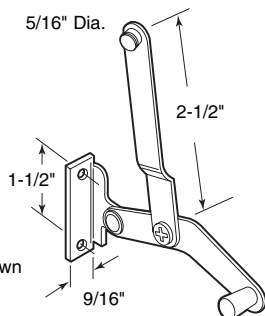


H-3617
H-3618

Right hand shown

H-3620
H-3621

Right hand shown



H-3557 (Aluminum - carded)
CCEP-3557 (Aluminum - bulk)
H-3558 (Bronze - carded)
H-3819 (White - carded)

Jalousie Operator

Contents: 1 operator; 3 links; 1 set of installation fasteners.
Bulk: 25 per display box.

Description: Diecast operator with 3 link assortment; center position "T" handle; designed to replace most jalousie operators.

You may wish to stock these related parts: **S-4070, S-4072.**

H-3556 (Left hand)
H-3707 (Right hand)

Jalousie Operator

Contents: 1 operator with link; 1 set of installation fasteners.

Description: Stamped aluminum operator; slim-line design; with 2-7/8" offset link arm.

You may wish to stock these related parts: **S-4070, S-4072.**

H-3613 (Aluminum - left hand)
H-3614 (Aluminum - right hand)
H-3615 (Bronze - left hand)
H-3616 (Bronze - right hand)

Louver or Jalousie Operator

Contents: 1 operator; 1 set of installation fasteners.

Description: Plastic housing with 3" aluminum link arm; fits on *Visualite* and *Premiere*.

H-3617 (Left hand)
H-3618 (Right hand)

Louver or Jalousie Operator

Contents: 1 operator; 1 set of installation fasteners.

Description: Aluminum construction; grooved stud attaches to moving arm; complete with steel "E" ring; fits on *International* windows.

You may wish to stock these related parts: **H-3619.**

H-3620 (Left hand)
H-3621 (Right hand)

Louver or Jalousie Operator

Contents: 1 operator; 1 set of installation fasteners.

Description: Aluminum construction; attaches to moving arm of window to open glass vents.

H-3552

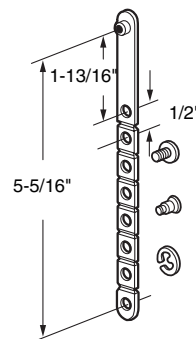
Universal "Break-Off" Link

Contents: 1 link with attaching hardware.

Description: Break-off link is designed to be used with most jalousie operators to provide many selections for linkage hole patterns; **cadmium plated steel**; adjustment holes at 1/2" spacing.

You may wish to stock these related parts: **H-3546, H-3547.**

H-3552

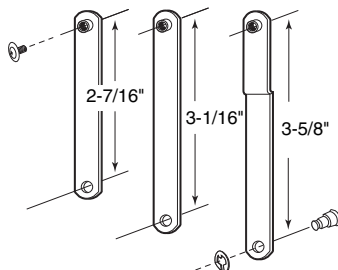


H-3925

Universal Jalousie Link Assortment

Contents: (1) 2-7/16" link; (1) 3-1/16" link; (1) 3-5/8" link; 1 link stud screw; 1 grooved pin with "E" clip.

Description: Stamped steel links with threaded pivot studs; steel grooved pin with "E" clip for jalousie window linkage.



H-3925

H-3619

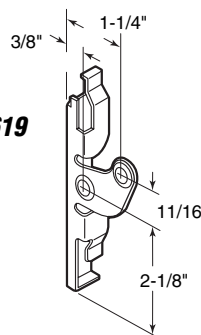
Louver or Jalousie Glass Clip

Contents: 1 left hand clip; 1 right hand clip.

Description: Stamped aluminum construction; fits 4" glass; fits on *International* windows.

You may wish to stock these related parts: **H-3617, H-3618.**

H-3619



H-3622

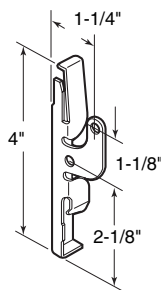
Louver or Jalousie Glass Clip

Contents: 1 left hand clip; 1 right hand clip.

Description: Stamped aluminum construction; fits 4" glass.

You may wish to stock these related parts: **H-3620, H-3621.**

H-3622



H-3623

Louver or Jalousie Clip

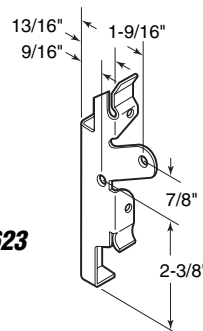
Contents: 1 left hand clip; 1 right hand clip.

Description: Stamped aluminum construction; fits 3/4" thick wood slats.

You may wish to stock these related parts: **H-3620, H-3621.**

Call for
Availability

H-3623



H-3852 (For 4" glass)

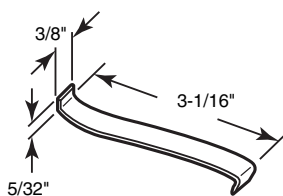
Jalousie Window Security Clip

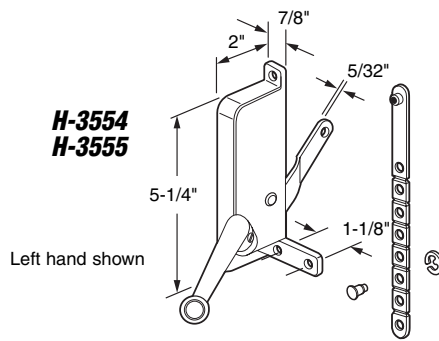
Contents: 20 clips.

Description: Plated spring steel clips; slip under louver glass clip to secure glass in position; deters easy removal of glass panels; no tools required.

Note: See **S-4072** in security section for 4-1/2" glass clip.

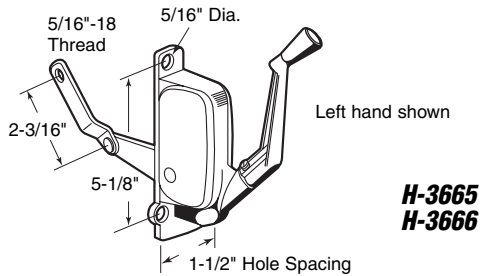
H-3852





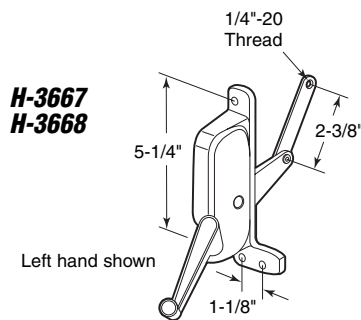
H-3554
H-3555

Left hand shown



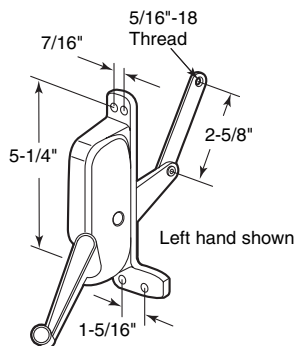
H-3665
H-3666

Left hand shown



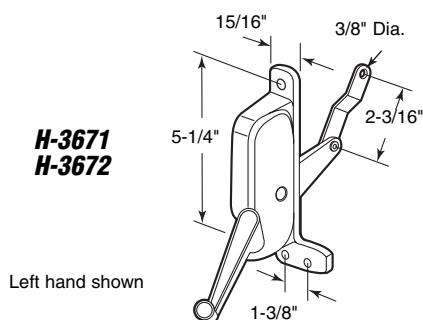
H-3667
H-3668

Left hand shown



H-3669
H-3670

Left hand shown



H-3671
H-3672

Left hand shown

H-3554 (Left hand)

H-3555 (Right hand)

Universal Awning Operator (Aluminum)

Contents: 1 operator; 1 universal link; 1 set of installation screws.

Description: Diecast awning window operator with multi-hole link is designed to replace many popular styles; with crank handle.

You may wish to stock these related parts: **H-3665 thru H-3678**.

H-3665 (Left hand)

H-3666 (Right hand)

"Miami" Awning Operator (Aluminum)

Contents: 1 operator with link and link screw.

Description: Diecast awning window operator for *Miami* windows; case hardened gears; baked-on enamel finish; with crank handle.

You may wish to stock these related parts: **L-5578 thru L-5581**.

H-3667 (Left hand)

H-3668 (Right hand)

"Air Control-Keller" Awning Operator (Aluminum)

Contents: 1 operator with link and link screw.

Description: Diecast awning window operator for *Air Control-Keller* windows; case hardened gears; baked-on enamel finish; with crank handle.

You may wish to stock these related parts: **L-5578 thru L-5581**.

H-3669 (Left hand)

H-3670 (Right hand)

"Pan-American" Awning Operator (Aluminum)

Contents: 1 operator with link and link screw.

Description: Diecast awning window operator for *Pan-American* windows; case hardened gears; baked-on enamel finish; with crank handle.

You may wish to stock these related parts: **L-5578 thru L-5581**.

H-3671 (Left hand)

H-3672 (Right hand)

"Stanley-C & E" Awning Operator (Aluminum)

Contents: 1 operator with link.

Description: Diecast awning window operator for *Stanley-C & E* windows; case hardened gears; baked-on enamel finish; with crank handle.

You may wish to stock these related parts: **L-5578 thru L-5581**.

Window Hardware

H-3673 (Left hand)

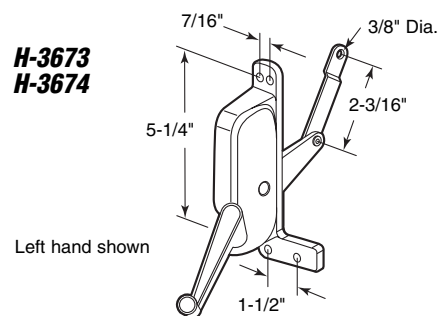
H-3674 (Right hand)

"Stanley" Awning Operator (Aluminum)

Contents: 1 operator with link.

Description: Diecast awning window operator for *Stanley* windows; case hardened gears; baked-on enamel finish; with crank handle.

You may wish to stock these related parts: **L-5578 thru L-5581**.



H-3675 (Left hand)

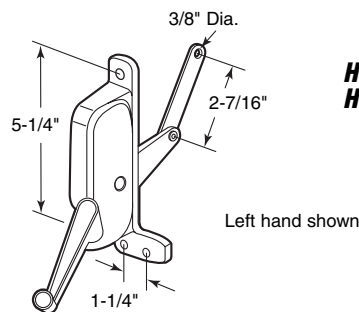
H-3676 (Right hand)

"A.B.C." Awning Operator (Aluminum)

Contents: 1 operator with link.

Description: Diecast awning window operator for *A.B.C.* windows; case hardened gears; baked-on enamel finish; with crank handle.

You may wish to stock these related parts: **L-5578 thru L-5581**.



H-3677 (Left hand)

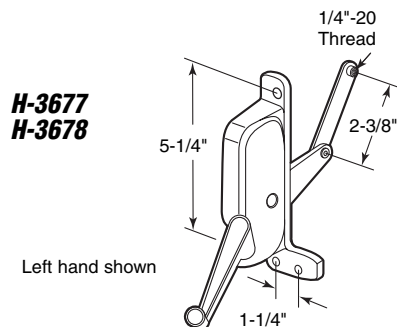
H-3678 (Right hand)

"Tucker" Awning Operator (Aluminum)

Contents: 1 operator with link.

Description: Diecast awning window operator for *Tucker* windows; case hardened gears; baked-on enamel finish; with crank handle.

You may wish to stock these related parts: **L-5578 thru L-5581**.



H-3693 (Left hand)

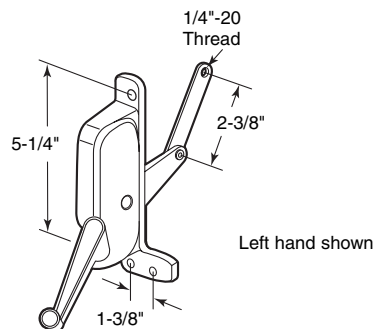
H-3694 (Right hand)

"Look-Rusco" Awning Operator (Aluminum)

Contents: 1 operator with link and link screw.

Description: Diecast awning window operator for *Look-Rusco* windows; case hardened gears; baked-on enamel finish; with crank handle.

You may wish to stock these related parts: **L-5578 thru L-5581**.



H-3695 (Left hand)

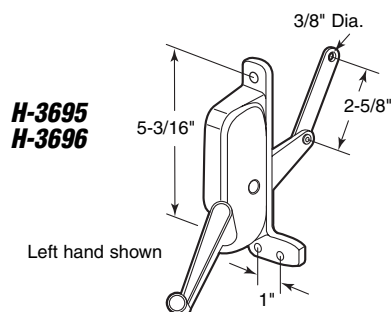
H-3696 (Right hand)

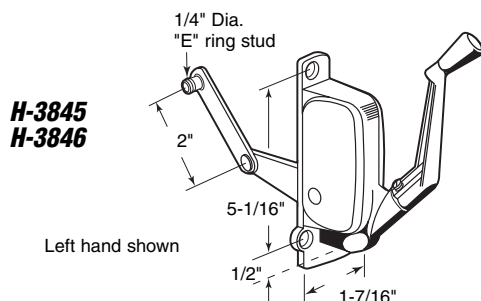
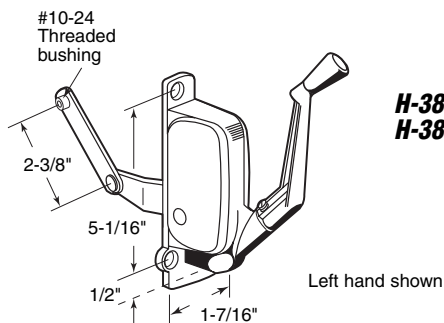
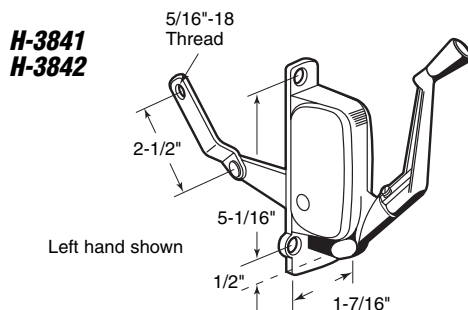
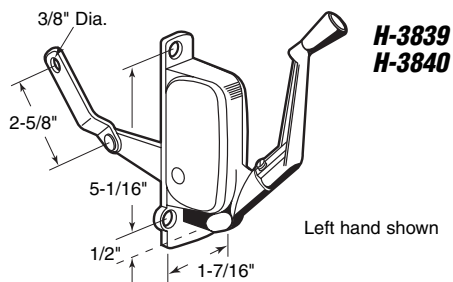
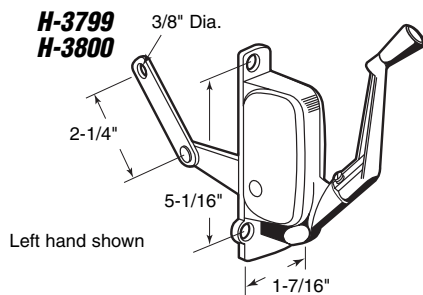
"Nu-Aire" Awning Operator (Aluminum)

Contents: 1 operator with link.

Description: Diecast awning window operator for *Nu-Aire* windows; case hardened gears; baked-on enamel finish; with crank handle.

You may wish to stock these related parts: **L-5578 thru L-5581**.





H-3799 (Left hand)
H-3800 (Right hand)

"Crown" Awning Operator (Aluminum)

Contents: 1 operator with link.

Description: Diecast awning window operator for *Crown* windows; case hardened gears; baked-on enamel finish; with crank handle.

You may wish to stock these related parts: **L-5578 thru L-5581.**

H-3839 (Left hand)
H-3840 (Right hand)

"Anderson" Awning Operator (Aluminum)

Contents: 1 operator with link.

Description: Diecast awning window operator for *Anderson* windows; case hardened gears; baked-on enamel finish; with crank handle.

You may wish to stock these related parts: **L-5578 thru L-5581.**

H-3841 (Left hand)
H-3842 (Right hand)

"Harcar" Awning Operator (Aluminum)

Contents: 1 operator with link and link screw.

Description: Diecast awning window operator for *Harcar* windows; case hardened gears; baked-on enamel finish; with crank handle.

You may wish to stock these related parts: **L-5578 thru L-5581.**

H-3843 (Left hand)
H-3844 (Right hand)

"Old Tucker" Awning Operator (Aluminum)

Contents: 1 operator with link.

Description: Diecast awning window operator for *Old Tucker* windows; case hardened gears; baked-on enamel finish; with crank handle.

You may wish to stock these related parts: **L-5578 thru L-5581.**

H-3845 (Left hand)
H-3846 (Right hand)

"A.B.C." Awning Operator (Aluminum)

Contents: 1 operator with link.

Description: Diecast awning window operator for *A.B.C.* windows; case hardened gears; baked-on enamel finish; with crank handle.

You may wish to stock these related parts: **L-5578 thru L-5581.**

H-3847 (Left hand)

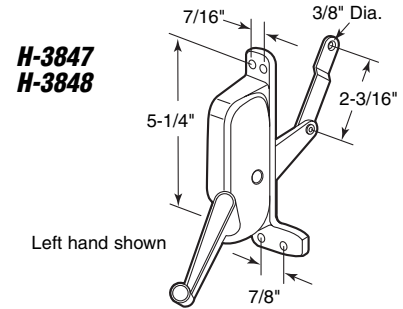
H-3848 (Right hand)

"Ware" Awning Operator (Aluminum)

Contents: 1 operator with link and link screw.

Description: Diecast awning window operator for *Ware* windows; case hardened gears; baked-on enamel finish; with crank handle.

You may wish to stock these related parts: **L-5578 thru L-5581**.



H-3861 (Left hand)

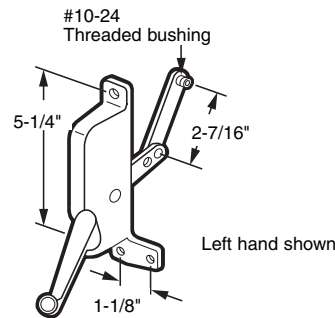
H-3862 (Right hand)

"T.M." Awning Operator (Aluminum)

Contents: 1 operator with link.

Description: Diecast awning window operator for *T.M.* windows; case hardened gears; baked-on enamel finish; with crank handle.

You may wish to stock these related parts: **L-5578 thru L-5581**.



H-3899 (Left hand)

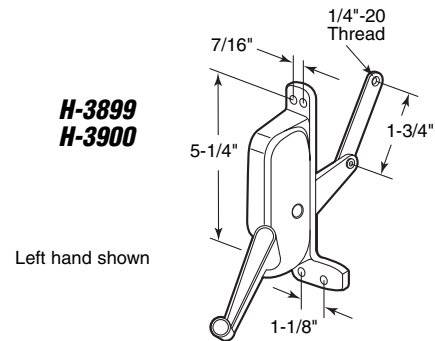
H-3900 (Right hand)

"Air Control" Awning Operator (Aluminum)

Contents: 1 operator with link and link screw.

Description: Diecast awning window operator for *Air Control* windows; case hardened gears; baked-on enamel finish; with crank handle.

You may wish to stock these related parts: **L-5578 thru L-5581**.



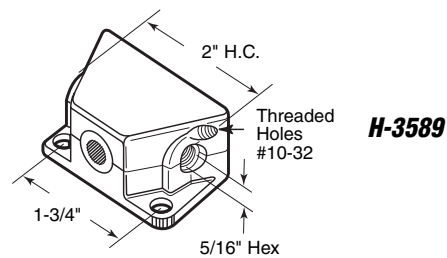
H-3589

"Stanley" Awning Operator

Contents: 1 operator.

Description: Zinc diecast operator used at the center position on awning windows; 5/16" hex drive; fits on *Stanley*; threaded holes are #10-32.

You may wish to stock these related parts: **H-3590, H-3591, H-3632**.



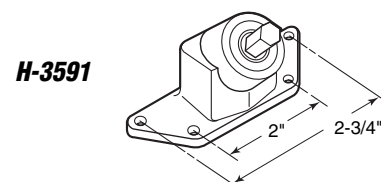
H-3591

Awning Operator Angle Adaptor

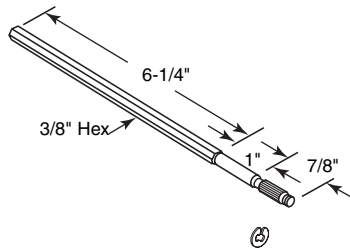
Contents: 1 operator.

Description: Zinc diecast housing; used with **H-3589** operator to adapt angle of crank handle; 3/8" hex drive at rear of housing, accepts **H-3632** drive rod.

You may wish to stock these related parts: **H-3589, H-3590, H-3632**.



H-3632



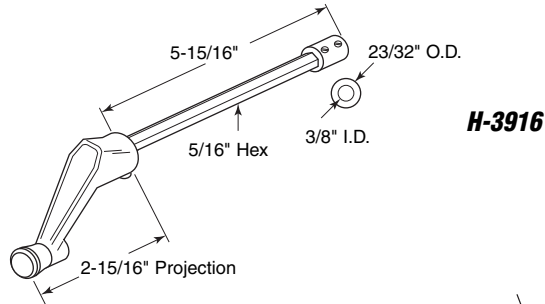
H-3632

Awning Operator Hex Drive Bar

Contents: 1 drive bar; 1 "E" ring.

Description: Machine steel; 8-1/8" long; 3/8" hex; used with H-3589 and H-3591 operators.

You may wish to stock these related parts: H-3589, H-3590, H-3591.



H-3916

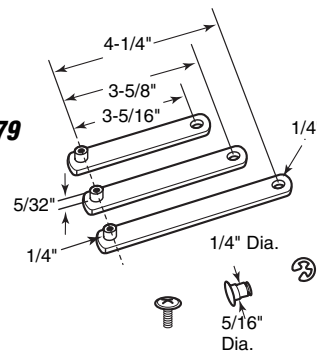
Awning Crank & Extension

Contents: 1 crank; 1 extension; 1 socket.

Description: Zinc diecast crank and socket; extruded aluminum extension; allows for extended operation of most awning operators with a 3/8" spindle.

Call for Availability

H-3679



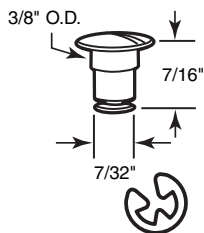
H-3679

Universal Awning Operator Link Assortment

Contents: (1) 3" link; (1) 3-5/8" link; (1) 4-1/4" link; 1 link stud screw; 1 grooved pin with "E" clip.

Description: Stamped steel links with threaded pivot studs; steel grooved pin with "E" clip; for awning window linkage.

You may wish to stock these related parts: H-3665 thru H-3678.



H-3689

H-3689

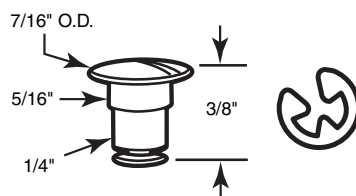
Jalousie & Awning Link Grooved Pin & "E" Clip

Contents: 4 grooved pins; 4 "E" clips.

Description: Aluminum grooved pin with "E" clip is used to connect link end of operator to jalousie or awning window.

You may wish to stock these related parts: H-3690 thru H-3696.

H-3690



H-3690

Jalousie & Awning Link Grooved Pin & "E" Clip

Contents: 4 grooved pins; 4 "E" clips.

Description: Aluminum grooved pin with "E" clip is used to connect link end of operator to jalousie or awning window.

You may wish to stock these related parts: H-3690 thru H-3696.



H-3927
H-3928

H-3927 (3/16")

H-3928 (1/4")

Jalousie & Awning Link "E" Clip

Contents: 4 "E" clips.

Description: Steel "E" clip as used on H-3689 & H-3690.

H-3691

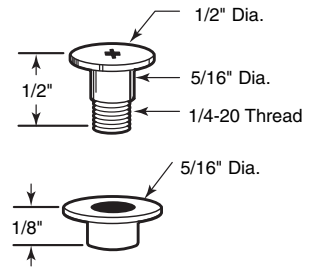
Awning Link Repair Bolt & Bushing

Contents: 4 bolts; 4 bushings.

Description: Zinc-plated steel bolt and nylon bushing; used to repair connection of link end of operator to awning window.

You may wish to stock these related parts: H-3689, H-3690, H-3692, H-3693, H-3694.

H-3691



H-3692

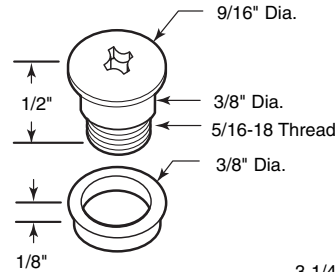
Awning Link Repair Bolt & Bushing

Contents: 4 bolts; 4 bushings.

Description: Diecast bolt and nylon bushing; used to repair connection of link end of operator to awning window.

You may wish to stock these related parts: H-3689, H-3690, H-3691.

H-3692



H-3577 (4-1/2 Pound)

H-3578 (6 Pound)

H-3579 (8 Pound)

H-3580 (10 Pound)

H-3630 (12 Pound)

H-3834 (14 Pound)*

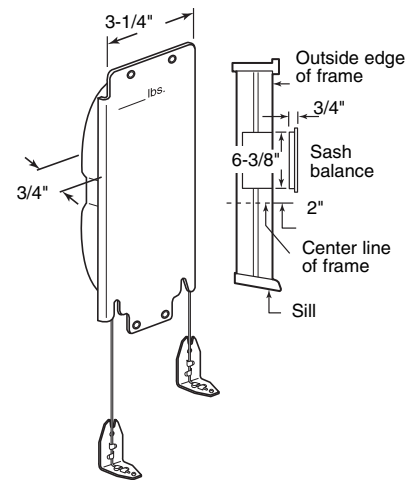
H-3835 (16 Pound)*

Wood Window Sash Balance

Contents: 1 sash balance with attaching hardware.

Description: All steel construction; coil spring retraction; aircraft cable lifters; fits *Duplex*, *Superior*, *Pre-set* and *Fabco*.

*Call for availability on this item.



H-3867 (#1)

H-3868 (#2)

H-3869 (#4)

H-3870 (#5)

Call for
Availability

Double Hung Adjustable Sash Balance

Contents: 1 adjustable sash balance with attaching hardware.

Description: All steel construction; coil spring retraction; aircraft cable lifters.

H-3871 (4-1/2 Pound)

H-3872 (6 Pound)

H-3873 (8 Pound)

H-3874 (10 Pound)

H-3875 (12 Pound)

H-3876 (14 Pound)

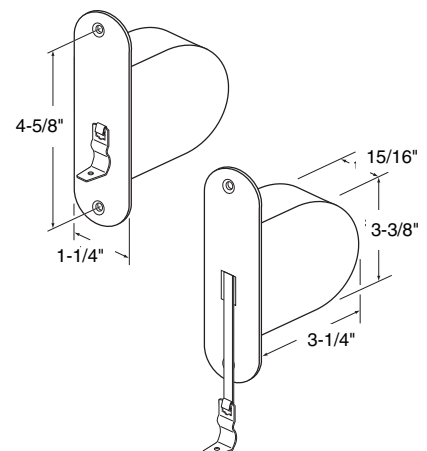
H-3877 (16 Pound)

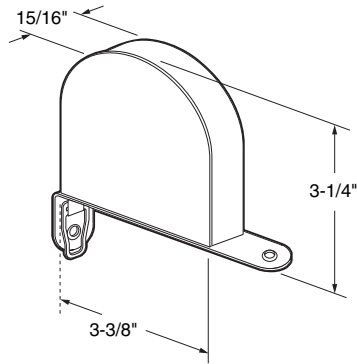
Call for
Availability

Side Mount Sash Balance

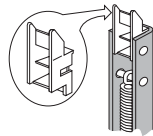
Contents: 2 sash balances with attaching hardware.

Description: All steel construction; coil spring retraction; steel tape lifters.

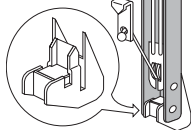




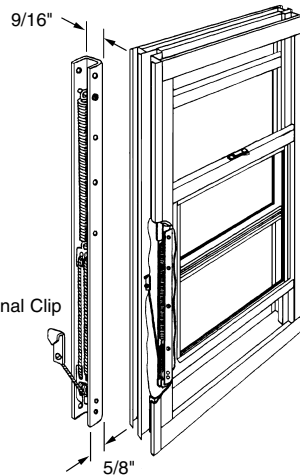
Used On Single Or Double Hung Sash



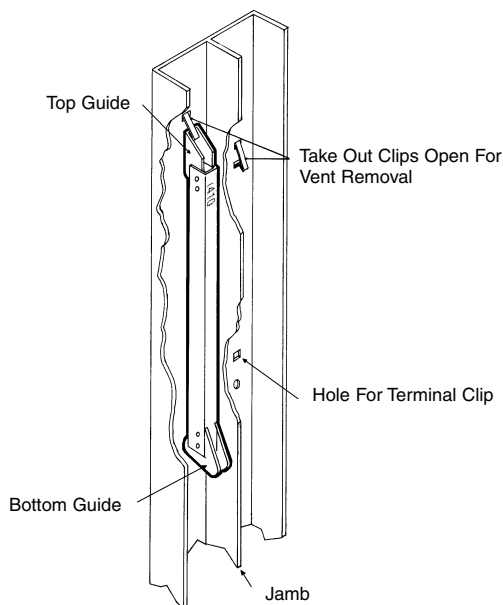
Top guide sold separately



Bottom guide sold separately



Balance Shown Installed In Jamb With Vent Removed



- H-3878** (4-1/2 Pound)
- H-3879** (6 Pound)
- H-3880** (8 Pound)
- H-3881** (10 Pound)
- H-3882** (12 Pound)
- H-3883** (14 Pound)
- H-3884** (16 Pound)

Call for Availability

Overhead Mount Sash Balance

Contents: 2 sash balances with attaching hardware.

Description: All steel construction; coil spring retraction; steel tape lifters.

5/8" Channel Balances (Block & tackle style)

Selection Chart (All balances sold individually in bulk)

Balance* Number	Alternative Number	Balance Height	Vent Weight
FA-1210	12A	13"	3 - 6
FA-1220	12B	13"	6 - 9
FA-1230	12C	13"	9 - 11
FA-1240	12D	13"	11 - 12
FA-1310	13A	14"	3 - 6
FA-1320	13B	14"	6 - 9
FA-1330	13C	14"	9 - 11
FA-1340	13D	14"	11 - 12
FA-1410	14A	15"	4 - 6
FA-1420	14B	15"	6 - 10
FA-1430	14C	15"	10 - 12
FA-1440	14D	15"	12 - 13
FA-1510	15A	16"	4 - 6
FA-1520	15B	16"	6 - 10
FA-1530	15C	16"	10 - 12
FA-1540	15D	16"	12 - 13
FA-1610	16A	17"	5 - 8
FA-1620	16B	17"	8 - 12
FA-1630	16C	17"	12 - 14
FA-1640	16D	17"	14 - 19
FA-1710	17A	18"	5 - 8
FA-1720	17B	18"	8 - 12
FA-1730	17C	18"	12 - 14
FA-1740	17D	18"	14 - 17
FA-1810	18A	19"	5 - 8
FA-1820	18B	19"	8 - 12
FA-1830	18C	19"	12 - 14
FA-1840	18D	19"	14 - 17
FA-1910	19A	20"	5 - 8
FA-1920	19B	20"	8 - 12
FA-1930	19C	20"	12 - 14
FA-1940	19D	20"	14 - 17
FA-2010	20A	21"	5 - 8
FA-2020	20B	21"	8 - 12
FA-2030	20C	21"	12 - 15
FA-2040	20D	21"	15 - 23
FA-2110	21A	22"	5 - 8
FA-2120	21B	22"	8 - 12
FA-2130	21C	22"	12 - 15
FA-2140	21D	22"	15 - 23

Continued on the following page

*Top and bottom guides are not included. Please see the following accessory page to determine what guides may be required.

Window Hardware

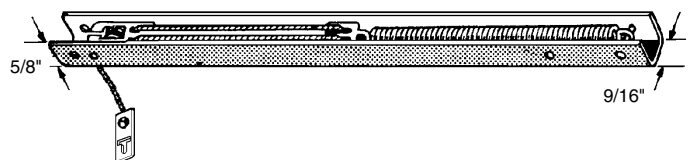
Balance* Number	Alternative Number	Balance Height	Vent Weight
FA-2210	22A	23"	5 - 8
FA-2220	22B	23"	8 - 12
FA-2230	22C	23"	12 - 19
FA-2240	22D	23"	19 - 23
FA-2310	23A	24"	5 - 9
FA-2320	23B	24"	9 - 15
FA-2330	23C	24"	15 - 18
FA-2340	23D	24"	18 - 23
FA-2410	24A	25"	5 - 9
FA-2420	24B	25"	9 - 15
FA-2430	24C	25"	15 - 19
FA-2440	24D	25"	19 - 24
FA-2510	25A	26"	5 - 9
FA-2520	25B	26"	9 - 15
FA-2530	25C	26"	15 - 19
FA-2540	25D	26"	19 - 25
FA-2610	26A	27"	5 - 9
FA-2620	26B	27"	9 - 13
FA-2630	26C	27"	13 - 19
FA-2640	26D	27"	19 - 26
FA-2710	27A	28"	5 - 9
FA-2720	27B	28"	9 - 13
FA-2730	27C	28"	13 - 19
FA-2740	27D	28"	19 - 26
FA-2810	28A	29"	7 - 12
FA-2820	28B	29"	12 - 16
FA-2830	28C	29"	16 - 23
FA-2840	28D	29"	23 - 28
FA-2910	29A	30"	7 - 12
FA-2920	29B	30"	12 - 16
FA-2930	29C	30"	16 - 23
FA-2940	29D	30"	23 - 28
FA-3010	30A	31"	7 - 12
FA-3020	30B	31"	12 - 16
FA-3030	30C	31"	16 - 23
FA-3040	30D	31"	23 - 28
FA-3110	31A	32"	7 - 12
FA-3120	31B	32"	12 - 16
FA-3130	31C	32"	16 - 23
FA-3140	31D	32"	23 - 28

Balance* Number	Alternative Number	Balance Height	Vent Weight
FA-3210	32A	33"	8 - 13
FA-3220	32B	33"	13 - 18
FA-3230	32C	33"	18 - 23
FA-3240	32D	33"	23 - 28
FA-3310	33A	34"	8 - 13
FA-3320	33B	34"	13 - 18
FA-3330	33C	34"	18 - 23
FA-3340	33D	34"	23 - 28
FA-3410	34A	35"	8 - 13
FA-3420	34B	35"	13 - 18
FA-3430	34C	35"	18 - 23
FA-3440	34D	35"	23 - 30
FA-3510	35A	36"	8 - 13
FA-3520	35B	36"	13 - 18
FA-3530	35C	36"	18 - 23
FA-3540	35D	36"	23 - 30
FA-3610	36A	37"	8 - 13
FA-3620	36B	37"	13 - 18
FA-3630	36C	37"	18 - 23
FA-3640	36D	37"	23 - 30
FA-3710	37A	38"	8 - 13
FA-3720	37B	38"	13 - 18
FA-3730	37C	38"	18 - 23
FA-3740	37D	38"	23 - 30
FA-3810	38A	39"	9 - 14
FA-3820	38B	39"	14 - 19
FA-3830	38C	39"	19 - 24
FA-3840	38D	39"	24 - 30
FA-3910	39A	40"	9 - 14
FA-3920	39B	40"	14 - 19
FA-3930	39C	40"	19 - 24
FA-3940	39D	40"	24 - 30
FA-4010	40A	41"	9 - 14
FA-4020	40B	41"	14 - 19
FA-4030	40C	41"	19 - 23
FA-4040	40D	41"	23 - 30
FA-4110	41A	42"	9 - 14
FA-4120	41B	42"	14 - 19
FA-4130	41C	42"	19 - 24
FA-4140	41D	42"	24 - 30
FA-4210	42A	43"	9 - 14
FA-4220	42B	43"	14 - 19
FA-4230	42C	43"	19 - 24
FA-4240	42D	43"	24 - 30

***Top and bottom guides are not included.**
Please see the following accessory page to determine what guides may be required.

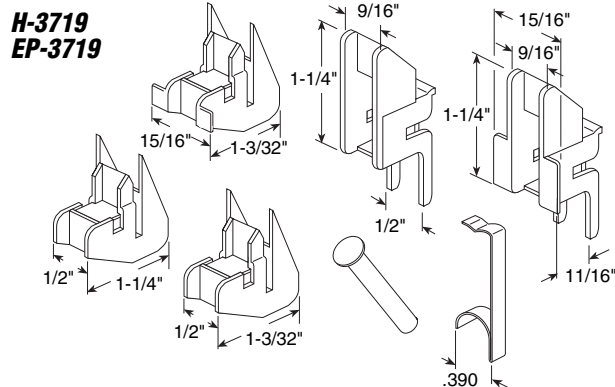
Channel Window Balances (Overhead)

Balance Number	Balance Length	Vent Weight
FC-111	12-3/4"	4 - 7
FC-112	12-3/4"	7 - 11
FC-121	15-1/4"	4 - 8
FC-122	15-1/4"	8 - 12
FC-151	19-1/4"	5 - 9
FC-152	19-1/4"	9 - 13
FC-153	19-1/4"	13 - 16
FC-162	23-1/4"	9 - 14
FC-163	23-1/4"	14 - 20
FC-183	27-1/4"	17 - 22

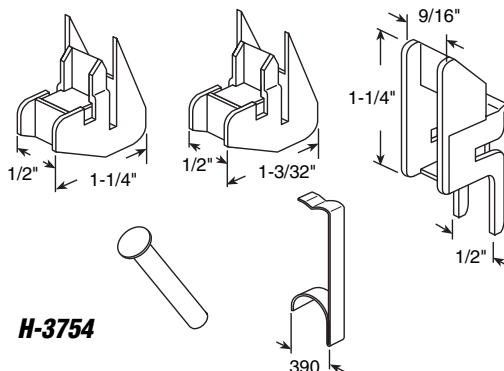


Ordering Tips:

- Check the back side of channel for stamped numbers (i.e.; 1410, 28A, 3620, etc.).
 - The first two digits indicate the actual glass height
 - The balance is **1" longer** than the part number indicates (i.e.; #1410 is **15" long**).
 - The second two digits or letter designation (A, B, C, D) denote the weight series of the balance (i.e.; #1410 or 14A is for light weight sash, 1420 or 14B is medium, 1430 or 14C is medium to heavy and 1440 or 14D is heavy. Please see the enclosed Selection Chart for actual weight variations).
- The **balance number, by itself, does not include top or bottom guides.**
 - Determine the correct guides required from pages H-28 & H-29. You may use the existing guides from the defective balance, however, this will require drilling out the attaching rivets.
 - Two rivets are supplied** with each balance to allow for replacement.
 - New guides may be ordered by the set (1 top and 1 bottom per bag, includes 2 rivets & 1 take-out clip) or in bulk (50 pack of each item, includes 50 rivets). You may also buy a universal kit (**EP-3719**) which includes an assortment (2 top guides, 3 bottom guides, 2 rivets and 1 take-out clip).
 - We will attach the top and bottom guides of your choice, to the balance, on minimum orders of 10 or more (See pages H-28 & H-29 for **installed part numbers**).
- A rivet set tool (**EP-3740**) is available to expedite installation of guides to balance.



H-3719
EP-3719



H-3754

Installation Hints:

(Vents must be removed in order to replace the balance assemblies).

To remove vent: Close vent to expose take-out clips. Open both clips for vent removal. Raise vent until top guide engages take-out clip. Continue to raise vent, 2 to 3 inches more. Move vent right or left as far as possible. Removal is then accomplished by swinging the opposite side of vent inward.

To replace balance assembly: Push down on balance until top guide is clear of take-out clip. Hold firmly and slowly lift up and away from jamb. Remove terminal clip and install new balance assembly using the reverse installation procedure. Be sure that top guide is secured under take-out clip. It is recommended that both balance assemblies be replaced in order to allow for efficient operation.

To replace vent: Position right or left side of vent into jamb, 2 to 3 inches above take-out clip and swing opposite side into alignment with frame. Then lower vent to engage balances and on down to clear take-out clips. This will automatically center the vent. Snap take-out clips into jamb to facilitate normal operation.

H-3719 (Carded)
EP-3719 (Bagged)

Repair Kit (For 5/8" channel balance)

Contents: 2 top guides; 3 bottom guides; 2 rivets; 1 take-out clip.

Description: An **assortment** of the most frequently used **nylon** top and bottom guides; including **aluminum** rivets for assembly and take-out clip for window sash removal.

H-3754 (Carded)

Repair Kit (For 5/8" channel balance)

Contents: 2 top guides; 2 bottom guides (1-3/32"); 2 bottom guides (1-1/4"); 4 rivets; 2 take-out clips.

Description: A **mini-assortment** of **glass filled nylon** top and bottom guides; will repair (2) 5/8" channel balances; a very popular assortment.

Repair Kit (For 5/8" channel balance)

H-3929 (Carded)

Contents: 2 top guides; 2 bottom guides; 4 rivets; 2 take-out clips.

FS-290B (Bagged)

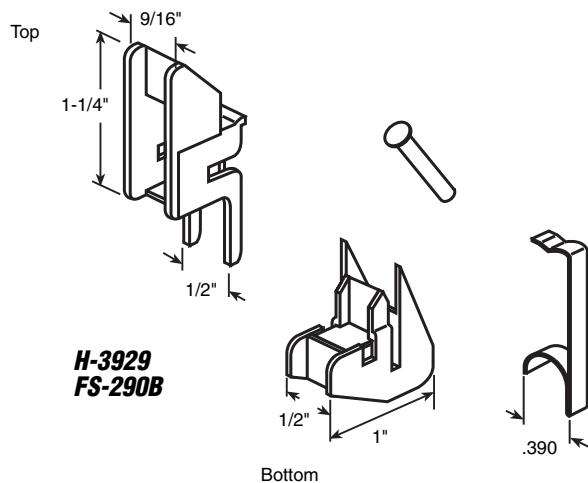
Contents: 1 top guide; 1 bottom guide; 2 rivets; 1 take-out clip.

Description: Commonly used **glass filled nylon** guides, but not necessarily universally applied to all 5/8" channel balances.

Bulk: FS-100PB (Top only - 50/bag)
FS-150PB (Bottom only - 50/bag)

Individually installed: FS-100** (Top)
FS-150** (Bottom)

** = Installed to balance of your choice (no minimum order).



Repair Kit (For 5/8" channel balance)

H-3706 (Carded)

Contents: 2 top guides; 2 bottom guides; 4 rivets; 2 take-out clips.

FS-291B (Bagged)

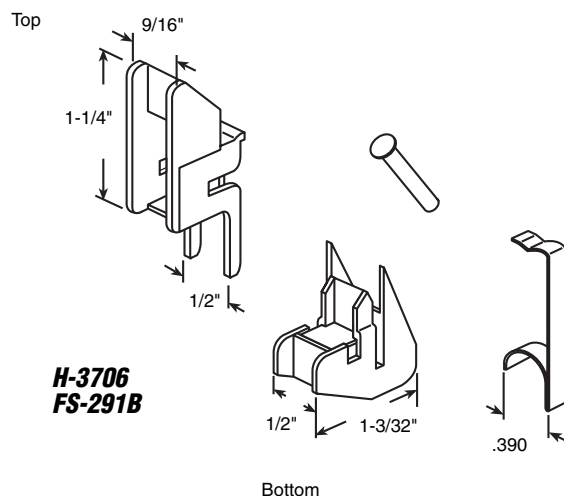
Contents: 1 top guide; 1 bottom guide; 2 rivets; 1 take-out clip.

Description: Commonly used **glass filled nylon** guides, but not necessarily universally applied to all 5/8" channel balances.

Bulk: FS-100PB (Top only - 50/bag)
FS-151PB (Bottom only - 50/bag)

Individually installed: FS-100** (Top)
FS-151** (Bottom)

** = Installed to balance of your choice (no minimum order).



Repair Kit (For 5/8" channel balance)

H-3930 (Carded)

Contents: 2 top guides; 2 bottom guides; 4 rivets; 2 take-out clips.

FS-292B (Bagged)

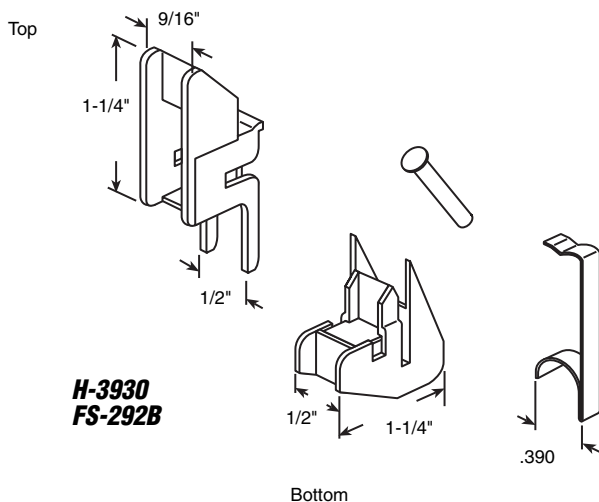
Contents: 1 top guide; 1 bottom guide; 2 rivets; 1 take-out clip.

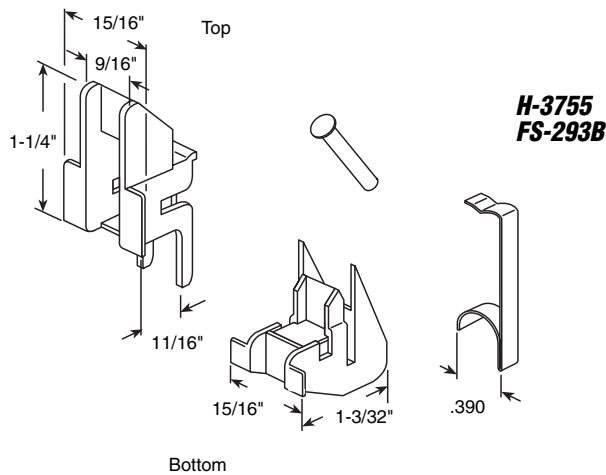
Description: Commonly used **glass filled nylon** guides, but not necessarily universally applied to all 5/8" channel balances.

Bulk: FS-100PB (Top only - 50/bag)
FS-152PB (Bottom only - 50/bag)

Individually installed: FS-100** (Top)
FS-152** (Bottom)

** = Installed to balance of your choice (no minimum order).





Repair Kit (For 5/8" channel balance)

H-3755 (Carded)

Contents: 2 top guide; 2 bottom guides; 4 rivets; 2 take-out clips.

FS-293B (Bagged)

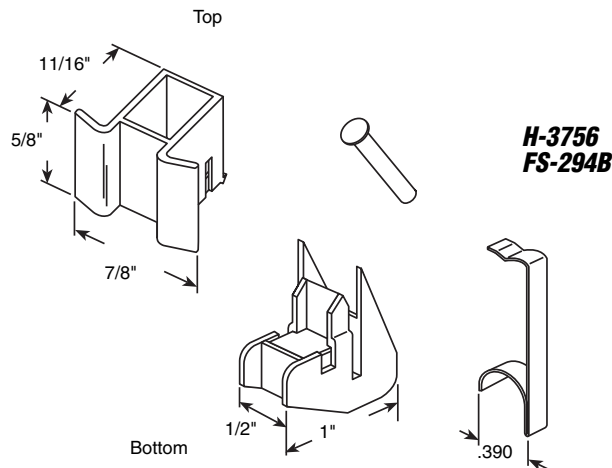
Contents: 1 top guide; 1 bottom guide; 2 rivets; 1 take-out clip.

Description: Commonly used **glass filled nylon** guides; used by many manufacturers on their 5/8" channel balances.

Bulk: FS-101PB (Top only - 50/bag)
FS-153PB (Bottom only - 50/bag)

Individually installed: FS-101** (Top)
FS-153** (Bottom)

** = Installed to balance of your choice (no minimum order).



Repair Kit (For 5/8" channel balance)

H-3756 (Carded)

Contents: 2 top guides; 2 bottom guides; 4 rivets; 2 take-out clips.

FS-294B (Bagged)

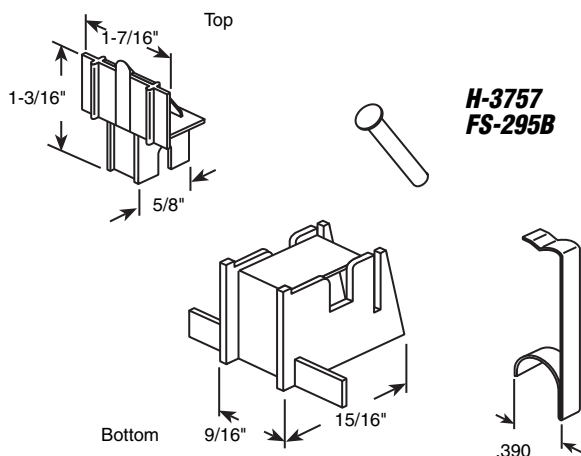
Contents: 1 top guide; 1 bottom guide; 2 rivets; 1 take-out clip.

Description: Commonly used **glass filled nylon** guides; used by many manufacturers on their 5/8" channel balances.

Bulk: FS-102PB (Top only - 50/bag)
FS-150PB (Bottom only - 50/bag)

Individually installed: FS-102** (Top)
FS-150** (Bottom)

** = Installed to balance of your choice (no minimum order).



Repair Kit (For 5/8" channel balance)

H-3757 (Carded)

Contents: 2 top guides; 2 bottom guides; 4 rivets; 2 take-out clips.

FS-295B (Bagged)

Contents: 1 top guide; 1 bottom guide; 2 rivets; 1 take-out clip.

Description: Commonly used **glass filled nylon** guides; used by many manufacturers on their 5/8" channel balances.

Bulk: FS-103PB (Top only - 50/bag)
FS-154PB (Bottom only - 50/bag)

Individually installed: FS-103** (Top)
FS-154** (Bottom)

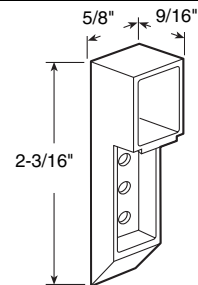
** = Installed to balance of your choice (no minimum order).

H-3837 (2/card)
EP-3837 (25/bag)

Sash Cam

Contents: Sash cams.

Description: Nylon cams attach to top edge of vent and provides for proper operating clearance.



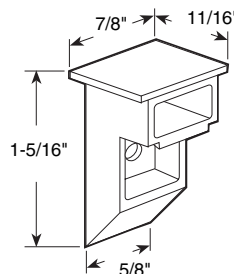
H-3837
EP-3837

H-3838 (2/card)
EP-3838 (25/bag)

Sash Cam

Contents: Sash cams.

Description: Nylon cams attach to top edge of vent and provides for proper operating clearance.



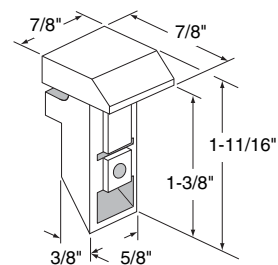
H-3838
EP-3838

H-3898 (2/card)
EP-3898 (25/bag)

Sash Cam

Contents: Sash cams.

Description: Nylon cams attach to top edge of vent and provides for proper operating clearance.



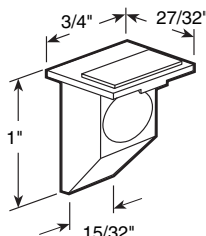
H-3898
EP-3898

H-3917 (2/card)
EP-3917 (25/bag)

Sash Cam

Contents: Sash cams.

Description: Nylon cams attach to top edge of vent and provides for proper operating clearance.



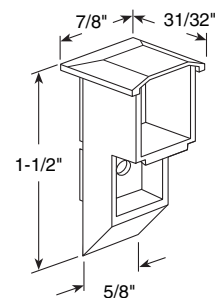
H-3917
EP-3917

H-3918 (2/card)
EP-3918 (25/bag)

Sash Cam

Contents: Sash cams.

Description: Nylon cams attach to top edge of vent and provides for proper operating clearance.



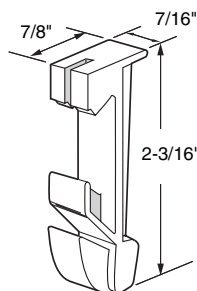
H-3918
EP-3918

H-3904 (2/card)
EP-3904 (25/bag)

Lift Hook

Contents: Lift hooks.

Description: Black nylon hooks; fits on *International* on single hung, overhead window balances; attaches balance cord to sash.



H-3904
EP-3904



FS-250B

FS-250B (100/bag)

Terminal Clips

Contents: 100 terminal clips.

Description: Used by many manufacturers to attach balance cord to window frame.



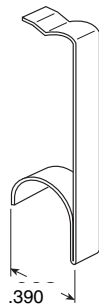
FS-253B

FS-253B (100/bag)

Terminal Clip (For overhead 5/8" channel balance)

Contents: 100 terminal clips.

Description: Stamped steel clip attaches to end of cord and is then secured to top of window sash; used on overhead channel balances.



FS-260B

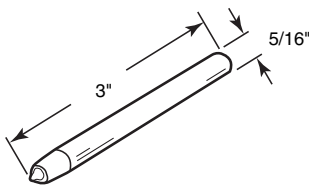
FS-260B (100/bag)

Take-Out Clip

Contents: 100 take-out clips.

Description: Spring steel clips used on block and tackle type sash balances.

You may wish to stock these related parts: **H-3720 thru H-3729.**



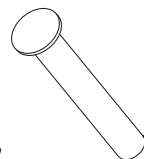
EP-3740

EP-3740

Rivet Installation Tool

Contents: 1 tool per bag.

Description: Steel tool with hardened steel rivet setting tip; used to set rivets when installing guides to channel balances.



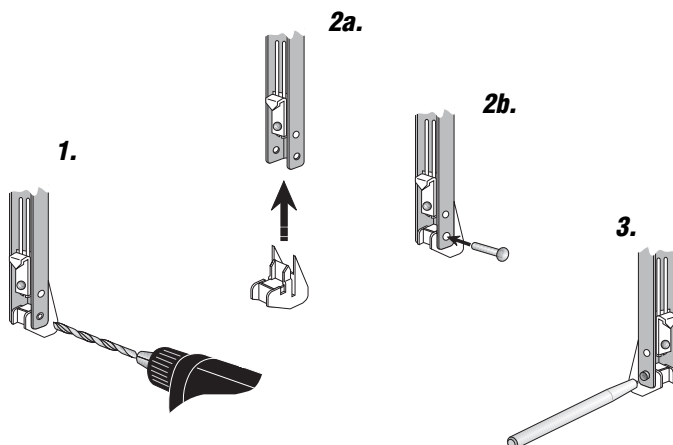
FS-261B

FS-261B

Rivets

Contents: 1000 rivets per bag.

Description: Aluminum, hollow-tip rivets are used to install guides to channel balances.



Channel Balance Accessories Easy Replacement Guide

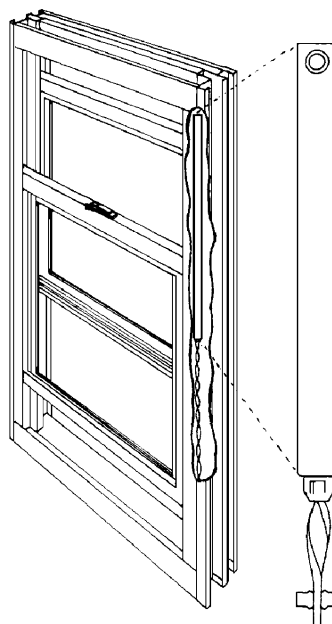
1. Drill out existing rivet using 3/32" bit (drill thru crimped side of rivet).
2. Slide new self locating guide (top or bottom) on to appropriate end of balance. Align holes and insert rivet thru the drilled out hole in balance.
3. Place balance on solid surface with rivet head down. Locate pointed end of rivet installation tool in open end of rivet. Tap end of tool firmly with hammer to crimp rivet.

Spiral Window Balances

HOW TO ORDER:

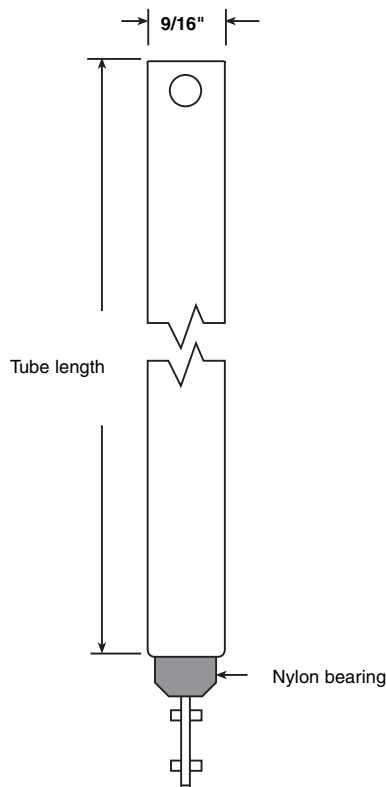
1. Determine series designation.
2. Measure tube length.
3. Specify nylon bearing color to indicate spring weight: (white-standard, red-medium, blue or black-heavy).
4. **These balances are all metal tube.**
5. All balances are sold individually in bulk.

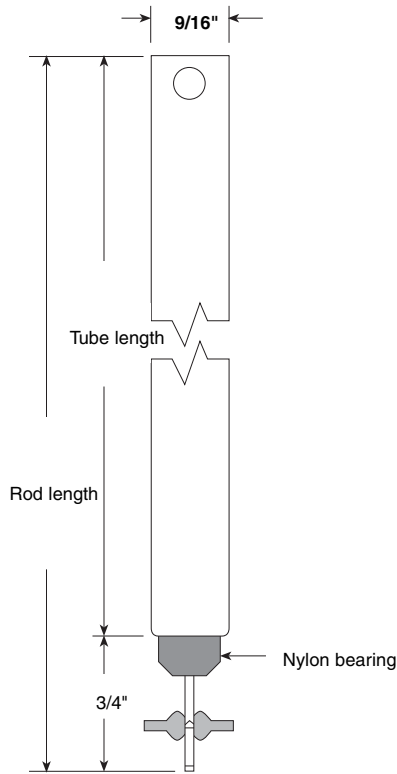
- Great new category of replacement items.
- Customer demand is growing steadily.
- Special order or stock your region's specific needs.



Spiral Window Balance (9/16" Dia.) Series FH (Tilt)

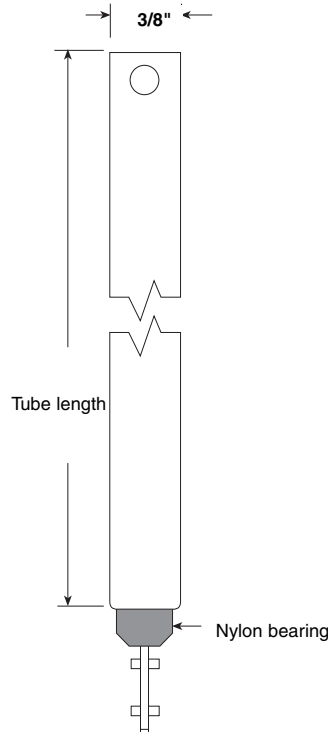
Tube Length	Bearing Color		
	White	Red	Blue
15"	FH-1510	FH-1520	FH-1530
16"	FH-1610	FH-1620	FH-1630
17"	FH-1710	FH-1720	FH-1730
18"	FH-1810	FH-1820	FH-1830
19"	FH-1910	FH-1920	FH-1930
20"	FH-2010	FH-2020	FH-2030
21"	FH-2110	FH-2120	FH-2130
22"	—	FH-2220	FH-2230
23"	—	FH-2320	FH-2330
24"	—	FH-2420	FH-2430
25"	—	FH-2520	FH-2530
26"	—	FH-2620	FH-2630
27"	—	FH-2720	FH-2730
28"	—	FH-2820	FH-2830
29"	—	FH-2920	FH-2930
30"	—	FH-3020	FH-3030
31"	—	FH-3120	FH-3130
32"	—	FH-3220	FH-3230
33"	—	FH-3320	—
34"	—	FH-3420	—
35"	—	FH-3520	—
36"	—	FH-3620	—
37"	—	FH-3720	—
38"	—	FH-3820	—
39"	—	FH-3920	—





**Spiral Window Balance (9/16" Dia.)
Series FJ (Non-tilt)**

Tube Length	Bearing Color	
	Red	Blue
15"	FJ-1520	FJ-1530
16"	FJ-1620	FJ-1630
17"	FJ-1720	FJ-1730
18"	FJ-1820	FJ-1830
19"	FJ-1920	FJ-1930
20"	FJ-2020	FJ-2030
21"	FJ-2120	FJ-2130
22"	FJ-2220	FJ-2230
23"	FJ-2320	FJ-2330
24"	FJ-2420	FJ-2430
25"	FJ-2520	FJ-2530
26"	FJ-2620	FJ-2630
27"	FJ-2720	FJ-2730
28"	FJ-2820	FJ-2830
29"	FJ-2920	FJ-2930
30"	FJ-3020	FJ-3030
31"	FJ-3120	FJ-3130
32"	FJ-3220	FJ-3230
33"	FJ-3320	—
34"	FJ-3420	—
35"	FJ-3520	—
36"	FJ-3620	—
37"	FJ-3720	—
38"	FJ-3820	—
39"	FJ-3920	—



**Spiral Window Balance (3/8" Dia.)
Series FL (Tilt)**

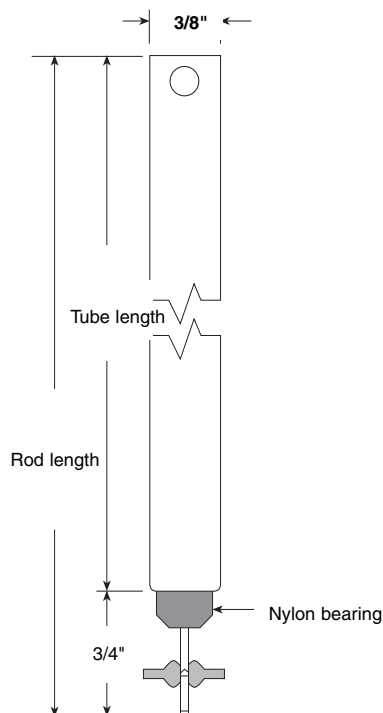
Tube Length	Bearing Color Red
18"	FL-1820
19"	FL-1920
20"	FL-2020
21"	FL-2120
22"	FL-2220
23"	FL-2320
24"	FL-2420
25"	FL-2520
26"	FL-2620
27"	FL-2720
28"	FL-2820
29"	FL-2920
30"	FL-3020

Window Hardware

Spiral Window Balance (3/8" Dia.) Series FM (Non-tilt)

Tube Length **Bearing Color**
Red

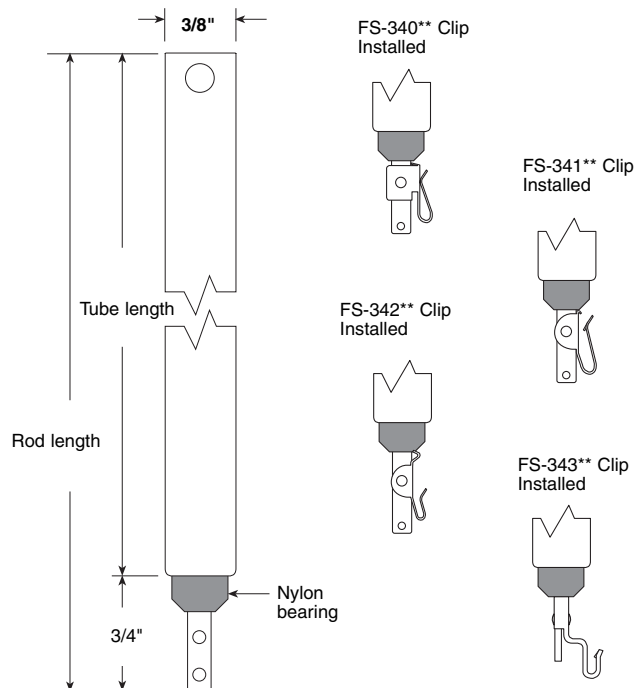
18"	FM-1820
19"	FM-1920
20"	FM-2020
21"	FM-2120
22"	FM-2220
23"	FM-2320
24"	FM-2420
25"	FM-2520
26"	FM-2620
27"	FM-2720
28"	FM-2820
29"	FM-2920
30"	FM-3020



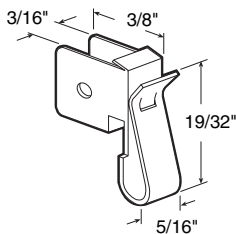
Spiral Window Balance (3/8" Dia.) Series FR (Non-tilt - with clip installed)

Bearing Color - Red

Tube Length	Bearing Color - Red			
	Clip FS-340**	Clip FS-341**	Clip FS-342**	Clip FS-343**
18"	FR-1820-340	FR-1820-341	FR-1820-342	FR-1820-343
19"	FR-1920-340	FR-1920-341	FR-1920-342	FR-1920-343
20"	FR-2020-340	FR-2020-341	FR-2020-342	FR-2020-343
21"	FR-2120-340	FR-2120-341	FR-2120-342	FR-2120-343
22"	FR-2220-340	FR-2220-341	FR-2220-342	FR-2220-343
23"	FR-2320-340	FR-2320-341	FR-2320-342	FR-2320-343
24"	FR-2420-340	FR-2420-341	FR-2420-342	FR-2420-343
25"	FR-2520-340	FR-2520-341	FR-2520-342	FR-2520-343
26"	FR-2620-340	FR-2620-341	FR-2620-342	FR-2620-343
27"	FR-2720-340	FR-2720-341	FR-2720-342	FR-2720-343
28"	FR-2820-340	FR-2820-341	FR-2820-342	FR-2820-343
29"	FR-2920-340	FR-2920--341	FR-2920-342	FR-2920-343
30"	FR-3020-340	FR-3020-341	FR-3020-342	FR-3020-343



FS-340**



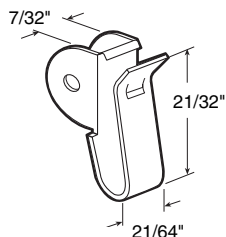
FS-340**

Clip (For 3/8" spiral balance)

Contents: Individually installed to Series FR spiral balance of your choice.

Description: Stamped steel clips are required to attach spiral balance to window sash.

** = Installed to balance of your choice (no minimum order).



FS-341**

FS-341**

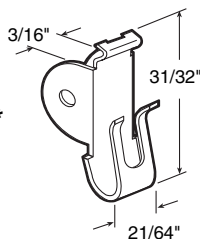
Clip (For 3/8" spiral balance)

Contents: Individually installed to Series FR spiral balance of your choice.

Description: Stamped steel clips are required to attach spiral balance to window sash.

** = Installed to balance of your choice (no minimum order).

FS-342**



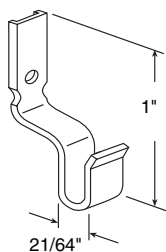
FS-342**

Clip (For 3/8" spiral balance)

Contents: Individually installed to Series FR spiral balance of your choice.

Description: Stamped steel clips are required to attach spiral balance to window sash.

** = Installed to balance of your choice (no minimum order).



FS-343**

FS-343**

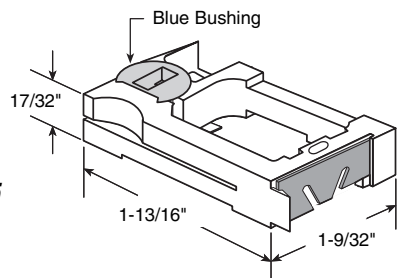
Clip (For 3/8" spiral balance)

Contents: Individually installed to Series FR spiral balance of your choice.

Description: Stamped steel clips are required to attach spiral balance to window sash.

** = Installed to balance of your choice (no minimum order).

**H-3785
EP-3785**



**H-3785 (2/card)
EP-3785 (4/bag)**

Pivot Lock Shoe

Contents: Lock shoes.

Description: Nylon shoes with blue bushing; fits on Caldwell 5/8" spiral balances on tilt style systems.

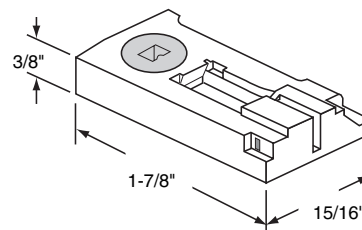
H-3786 (2/card)
EP-3786 (4/bag)

Pivot Lock Shoe

Contents: Lock shoes.

Description: Nylon shoes; used on $3/8$ " spiral balances on tilt style systems.

H-3786
EP-3786

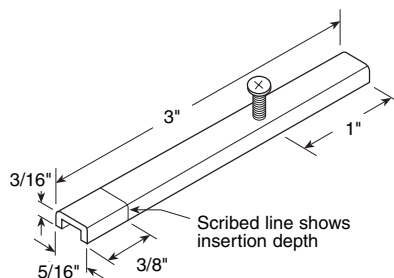


H-3758 (2/card)
EP-3758 (25/bag)

Pivot Bar

Contents: Pivot bars with screws.

Description: Stamped steel pivot bar used with $5/8$ " spiral balances on tilt style systems.



H-3758
EP-3758

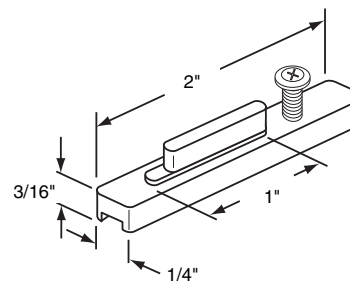
H-3897 (2/card)
EP-3897 (25/bag)

Pivot Bar

Contents: Pivot bars.

Description: Zinc diecast pivot bar used with $3/8$ " spiral balances on tilt style systems.

H-3897
EP-3897

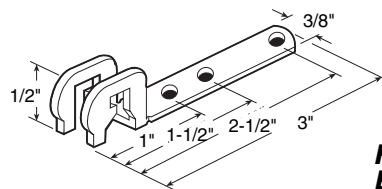


H-3759 (2/card)
EP-3759 (25/bag)

Balance Foot

Contents: Balance feet.

Description: Stamped steel foot as used to attach $5/8$ " spiral balances to bottom of non-tilt sash.



H-3759
EP-3759

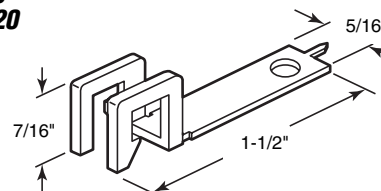
H-3920 (2/card)
EP-3920 (25/bag)

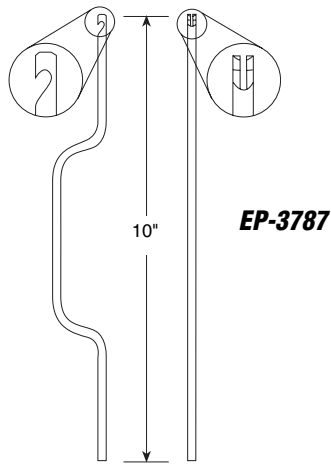
Balance Foot

Contents: Balance feet.

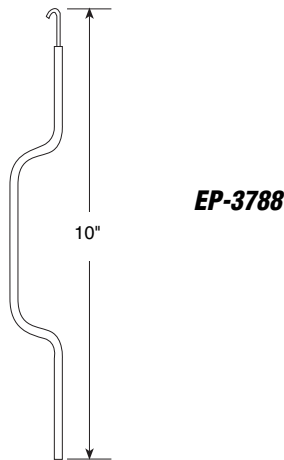
Description: Stamped steel foot as used to attach $3/8$ " spiral balances to bottom of non-tilt sash.

H-3920
EP-3920

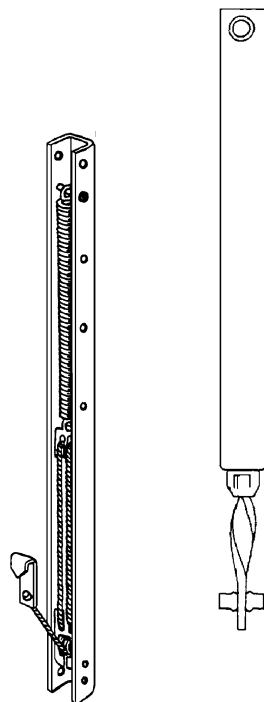




EP-3787



EP-3788



EP-3787

Tension Tool (For tilt balance)

Contents: 1 tool per bag.

Description: Plated steel tool used to crank necessary balance spring tension when installing new balance on **tilt type systems**.

EP-3788

Tension Tool (For non-tilt balance)

Contents: 1 tool per bag.

Description: Plated steel tool used to crank necessary balance spring tension when installing new balance on **non-tilt type systems**.

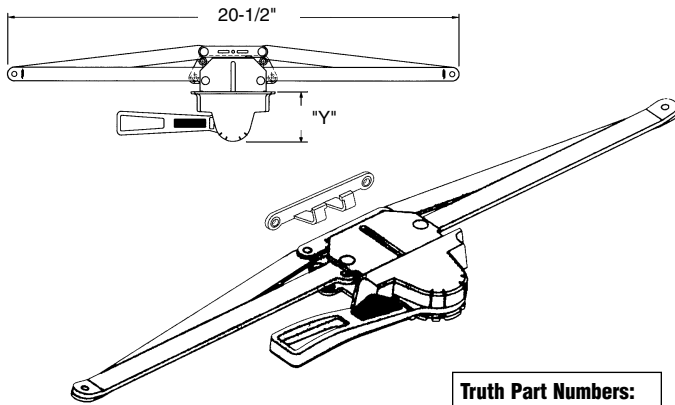
Channel and Spiral balances are available in many different configurations. We stock a large array of the most popular balances, however, you may come up with a special requirement. Don't hesitate to contact us for those special needs.

Part No.	Page No.	Description	Package Quantity	Standard Pack
EP-21080	TH-9	4-Bar Hinges (Non-handed)	1	6
EP-21083	TH-9	4-Bar Hinges (Non-handed)	1	6
EP-21090	TH-9	4-Bar Hinges (Non-handed)	1	6
EP-21094	TH-9	4-Bar Hinges (Non-handed)	1	6
EP-21099	TH-9	4-Bar Hinges (Non-handed)	1	6
EP-21105	TH-9	4-Bar Hinges (Non-handed)	1	6
EP-22317	TH-8	Sash Hook	1	12
EP-22319	TH-8	Sash Lock Keeper	1	12
EP-22322	TH-8	Toggle Lock Keeper	1	12
EP-22397	TH-7	Casement Operator Track	1	12
EP-22453	TH-8	Sash Lock Keeper	1	12
EP-22499 (Bagged)	TH-8	Low Profile Lock Keeper	1	12
EP-22593 (Bagged)	TH-7	Torsion Bar	1	10
EP-22825 (Bagged)	TH-7	Casement Operator Track	1	12
EP-22826 (Bagged)	TH-8	Locking Handle Keeper	1	12
EP-23065	TH-9	Awning Window Hinge	1 pair	6 pair
EP-23066	TH-9	Awning Window Hinge	1 pair	6 pair
EP-23067	TH-9	Awning Window Hinge	1 pair	6 pair
EP-23068	TH-9	Awning Window Hinge	1 pair	6 pair
EP-23088 (Bagged)	TH-9	Concealed Casement Hinge	1 pair	12 pair
TH-21896 (Bright Brass)	TH-3	Operator Crank Handle	1	4
TH-21928 (Bronze)	TH-4	"Entrygard" Operator Cover (Plastic)	1	4
TH-21931 (Coppertone)	TH-4	"Entrygard" Operator Cover (Plastic)	1	4
TH-21932 (Gold)	TH-4	"Entrygard" Operator Cover (Plastic)	1	4
TH-21937 (White)	TH-4	"Entrygard" Operator Cover (Plastic)	1	4
TH-21986 (Bright Brass)	TH-4	"Entrygard" Operator Cover (Plastic)	1	4
TH-21996 (Bronze)	TH-3	Operator Crank Handle	1	6
TH-21998 (Coppertone)	TH-3	Operator Crank Handle	1	6
TH-21999 (Gold)	TH-3	Operator Crank Handle	1	6
TH-22007 (White)	TH-3	Operator Crank Handle	1	6
TH-22134 (Bronze)	TH-4	Tee-Crank Handle	1	6
TH-22135 (Coppertone)	TH-4	Tee-Crank Handle	1	6
TH-22136 (Gold)	TH-4	Tee-Crank Handle	1	6
TH-22137 (Bright Brass)	TH-4	Tee-Crank Handle	1	4
TH-22142 (White)	TH-4	Tee-Crank Handle	1	6
TH-22232 (Bronze)	TH-4	"Entrygard" Operator Cover (Metal)	1	4
TH-22233 (Coppertone)	TH-4	"Entrygard" Operator Cover (Metal)	1	4
TH-22235 (Bright Brass)	TH-4	"Entrygard" Operator Cover (Metal)	1	2
TH-22240 (White)	TH-4	"Entrygard" Operator Cover (Metal)	1	4
TH-22243 (Bronze)	TH-4	Folding Handle	1	6
TH-22245 (Coppertone)	TH-4	Folding Handle	1	6
TH-22247 (Bright Brass)	TH-4	Folding Handle	1	4
TH-22253 (White)	TH-4	Folding Handle	1	6
TH-23008 (Bronze)	TH-1	Roto Gear Operator	1	2
TH-23009 (Coppertone)	TH-1	Roto Gear Operator	1	2
TH-23010 (White)	TH-1	Roto Gear Operator	1	2
TH-23011 (Bronze)	TH-1	Roto Gear Operator	1	2
TH-23012 (Coppertone)	TH-1	Roto Gear Operator	1	2
TH-23013 (White)	TH-1	Roto Gear Operator	1	2
TH-23014 (Bronze)	TH-3	Single Arm Operator (Face mount)	1	4
TH-23015 (Coppertone)	TH-3	Single Arm Operator (Face mount)	1	4
TH-23016 (White)	TH-3	Single Arm Operator (Face mount)	1	4
TH-23017 (Bronze)	TH-3	Single Arm Operator (Face mount)	1	4
TH-23018 (Coppertone)	TH-3	Single Arm Operator (Face mount)	1	4
TH-23019 (White)	TH-3	Single Arm Operator (Face mount)	1	4

INDEX - Truth Hardware

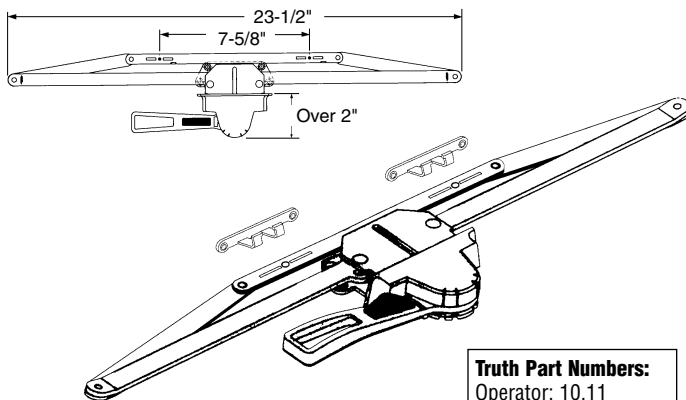
Part No.	Page No.	Description	Package Quantity	Standard Pack
TH-23020 (Bronze)	TH-2	Single Arm Operator (Surface mount)	1	4
TH-23021 (Coppertone)	TH-2	Single Arm Operator (Surface mount)	1	4
TH-23022 (White)	TH-2	Single Arm Operator (Surface mount)	1	4
TH-23023 (Bronze)	TH-2	Single Arm Operator (Surface mount)	1	4
TH-23024 (Coppertone)	TH-2	Single Arm Operator (Surface mount)	1	4
TH-23025 (White)	TH-2	Single Arm Operator (Surface mount)	1	4
TH-23026 (Bronze)	TH-2	Single Arm Operator (Surface mount)	1	4
TH-23027 (Coppertone)	TH-2	Single Arm Operator (Surface mount)	1	4
TH-23028 (White)	TH-2	Single Arm Operator (Surface mount)	1	4
TH-23029 (Bronze)	TH-2	Single Arm Operator (Surface mount)	1	4
TH-23030 (Coppertone)	TH-2	Single Arm Operator (Surface mount)	1	4
TH-23031 (White)	TH-2	Single Arm Operator (Surface mount)	1	4
TH-23044 (Bronze)	TH-6	"Entrygard" Sash Lock	1	4
TH-23045 (Coppertone)	TH-6	"Entrygard" Sash Lock	1	4
TH-23046 (Bright Brass)	TH-6	"Entrygard" Sash Lock	1	2
TH-23047 (White)	TH-6	"Entrygard" Sash Lock	1	4
TH-23048 (Bronze)	TH-6	"Entrygard" Sash Lock	1	4
TH-23049 (Coppertone)	TH-6	"Entrygard" Sash Lock	1	4
TH-23050 (Bright Brass)	TH-6	"Entrygard" Sash Lock	1	4
TH-23051 (White)	TH-6	"Entrygard" Sash Lock	1	4
TH-23053 (Bronze)	TH-6	Low Profile Sash Lock (Non-handed)	1	4
TH-23054 (Coppertone)	TH-6	Low Profile Sash Lock (Non-handed)	1	4
TH-23055 (Bright Brass)	TH-6	Low Profile Sash Lock (Non-handed)	1	2
TH-23056 (White)	TH-6	Low Profile Sash Lock (Non-handed)	1	4
TH-23057 (Bronze)	TH-7	"Trimline" Cam Handle Lock	1	6
TH-23058 (Bronze)	TH-7	"Trimline" Cam Handle Lock	1	6
TH-23059 (White)	TH-7	"Trimline" Cam Handle Lock	1	6
TH-23060 (White)	TH-7	"Trimline" Cam Handle Lock	1	6
TH-23061 (Gold)	TH-2	Single Arm Operator (Surface mount)	1	4
TH-23062 (Gold)	TH-2	Single Arm Operator (Surface mount)	1	4
TH-23063 (Gold)	TH-2	Single Arm Operator (Surface mount)	1	4
TH-23064 (Gold)	TH-2	Single Arm Operator (Surface mount)	1	4
TH-23069 (Bronze)	TH-1	Single Pull Lever Operator	1	2
TH-23070 (Bronze)	TH-1	Single Pull Lever Operator	1	2
TH-23071 (Gold)	TH-1	Single Pull Lever Operator	1	2
TH-23072 (Gold)	TH-1	Single Pull Lever Operator	1	2
TH-23073 (Gold)	TH-1	Roto Gear Operator	1	2
TH-23074 (Bronze)	TH-6	Toggle Lock	1	6
TH-23075 (Gold)	TH-6	Toggle Lock	1	6
TH-23076 (Left hand)	TH-2	"Entrygard" Dual Arm Operator (Mechanism only)	1	4
TH-23077 (Right hand)	TH-2	"Entrygard" Dual Arm Operator (Mechanism only)	1	4
TH-23078 (Left hand)	TH-2	"Entrygard" Dyad Operator (Mechanism only)	1	4
TH-23079 (Right hand)	TH-2	"Entrygard" Dyad Operator (Mechanism only)	1	4
TH-23080 (Bronze)	TH-5	"Entrygard II" Cam Lock (With lugs)	1	6
TH-23081 (White)	TH-5	"Entrygard II" Cam Lock (With lugs)	1	6
TH-23082 (Bronze)	TH-5	"Entrygard II" Cam Lock (Without lugs)	1	6
TH-23083 (White)	TH-5	"Entrygard II" Cam Lock (Without lugs)	1	6
TH-23084 (Bronze)	TH-5	"Trimline" Cam Lock (With lugs)	1	6
TH-23085 (White)	TH-5	"Trimline" Cam Lock (With lugs)	1	6
TH-23086 (Bronze)	TH-5	"Trimline" Cam Lock (With lugs)	1	6
TH-23087 (White)	TH-5	"Trimline" Cam Lock (With lugs)	1	6
TH-23089 (Bronze)	TH-3	Dyad Operator (Face mount)	1	4
TH-23090 (Bronze)	TH-3	Dyad Operator (Face mount)	1	4
TH-23091 (White)	TH-3	Dyad Operator (Face mount)	1	4
TH-23092 (White)	TH-3	Dyad Operator (Face mount)	1	4

Part No.	Page No.	Description	Package Quantity	Standard Pack
TH-23093 (Bronze)	TH-7	Locking Handle.....	1	6
TH-23094 (White)	TH-7	Locking Handle.....	1	6
TH-23095 (Bronze)	TH-6	Sash Lock.....	1	4
TH-23096 (Bronze)	TH-6	Sash Lock.....	1	4
TH-23097 (Bronze)	TH-1	Dual Pull Lever Operator	1	2
TH-23098 (White)	TH-6	Sash Lock.....	1	4
TH-23099 (White)	TH-6	Sash Lock.....	1	4



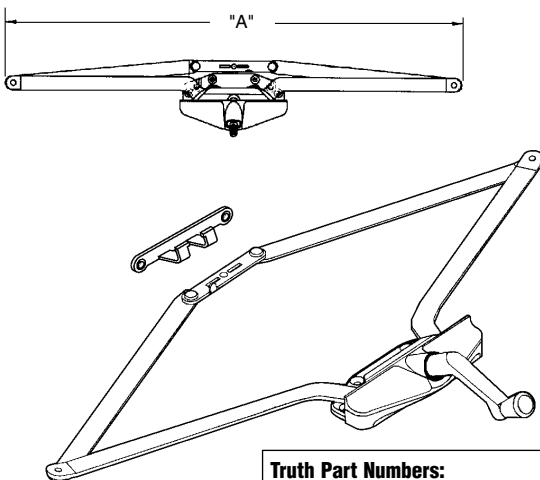
Truth Part Numbers:
Operator: 10.10
Hook: 20008

Regular handing: When viewed from the inside, a regular handle will be pointed to the left when window is in the closed position.



Truth Part Numbers:
Operator: 10.11
Hook: 20008

Regular handing: When viewed from the inside, a regular handle will be pointed to the left when window is in the closed position.



Truth Part Numbers:
Operator: 11.10 (21-1/2"); 11.12 (16-1/8")
Handle: 10579
Hook: 20008

Single Pull Lever Operator

Contents: 1 operator; 1 hook and 1 set of installation screws.

Dimension "Y"	Finish	Part No.
Under 2"	Bronze	TH-23070
Over 2"	Bronze	TH-23069
Under 2"	Gold	TH-23072
Over 2"	Gold	TH-23071

Description: High pressure **diecast zinc** case and lever handle has baked enamel finish; **steel** base plate, sash hook and lever arms; steel components are protected with the **corrosive resistant E-Gard™** coating process; used on **awning windows** by many manufacturers; holds window open in any of five positions; features a simple release clip for quick sash detachment.

- Use with EP-23065, EP-23066, EP-23067 or EP-23068 awning window hinges.

TH-23097 (Bronze)

Dual Pull Lever Operator

Contents: 1 operator; 2 hooks; 1 set of installation screws.

Description: High pressure **diecast zinc** case and lever handle has baked enamel finish; **steel** base plate, sash hook and lever arms; steel components are protected with the **corrosive resistant E-Gard™** coating process; used on **awning windows** by many manufacturers; holds window open in any of five positions; features a simple release clip for quick sash detachment; this model is particularly effective, and offers improved stability, on wide sash windows when in the open position.

- Use with EP-23065, EP-23066, EP-23067 or EP-23068 awning window hinges.

Roto Gear Operator

Contents: 1 operator; 1 hook and 1 set of installation screws.

Dimension "A"	Finish	Part No.
16-1/8"	Bronze	TH-23011
16-1/8"	Coppertone	TH-23012
16-1/8"	White	TH-23013
21-1/2"	Bronze	TH-23008
21-1/2"	Coppertone	TH-23009
21-1/2"	Gold	TH-23073
21-1/2"	White	TH-23010

Description: High pressure **diecast zinc** case and crank handle has baked enamel finish; **hardened steel** worm drive and gear arms; a simple detach feature disengages the operator from the sash for quick window removal.

Truth Hardware (Casement & Awning Window)

TH-23076 (Left hand)
TH-23077 (Right hand)

"Entrygard" Dual Arm Operator (Mechanism only)

Contents: 1 operator; 1 stud bracket; 1 set of installation screws.

Description: High pressure **diecast zinc** operator base; **steel** arms and stud bracket; **hardened steel** worm drive and gears; all raw metal parts are protected with the **corrosive resistant E-Gard™** coating process; patented dual arm action pushes the sash open while pulling the hinge side of sash to the open position; offers almost effortless operation.

- Use **EP-22397** for replacement track.

TH-23078 (Left hand)
TH-23079 (Right hand)

"Entrygard" Dyad Operator (Mechanism only)

Contents: 1 operator; 1 stud bracket; 1 set of installation screws.

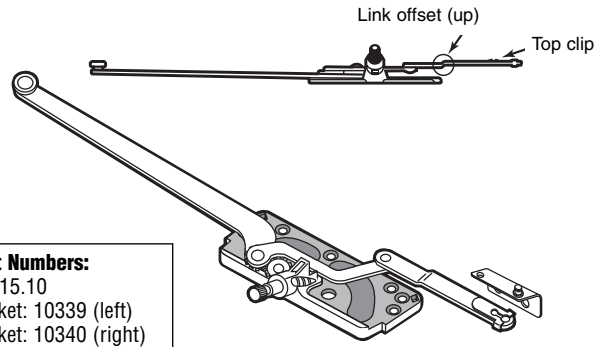
Description: High pressure **diecast zinc** operator base; **steel** arms and stud bracket; **hardened steel** worm drive and gears; all raw metal parts are protected with the **corrosive resistant E-Gard™** coating process; designed for narrow style windows (minimum of 11" between the stops); offers excellent low torque operation.

Single Arm Operator (Surface mount)

Contents: 1 operator; 1 handle and 1 set of installation screws.

Arm	Handing	Finish	Part No.
9-1/2"	Left	Bronze	TH-23020
		Coppertone	TH-23021
		White	TH-23022
		Gold	TH-23061
9-1/2"	Right	Bronze	TH-23023
		Coppertone	TH-23024
		White	TH-23025
		Gold	TH-23062
13-1/2"	Left	Bronze	TH-23026
		Coppertone	TH-23027
		White	TH-23028
		Gold	TH-23063
13-1/2"	Right	Bronze	TH-23029
		Coppertone	TH-23030
		White	TH-23031
		Gold	TH-23064

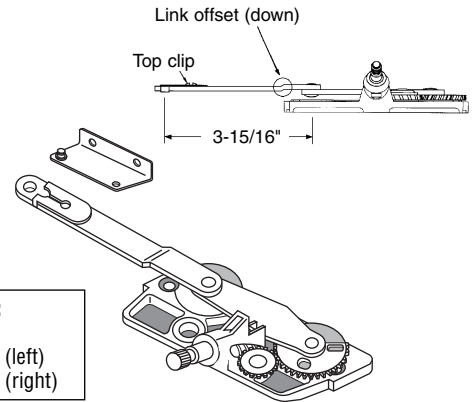
Description: High pressure **diecast zinc** case, handle and knob in baked enamel finishes; **hardened steel** arm, drive worm and gear are protected with corrosion resistant finish; **nylon** roller assures smooth operation; operator provides a full 90° window opening and disconnects easily from the sash.



Truth Part Numbers:
 Operator: 15.10
 Stud Bracket: 10339 (left)
 Stud Bracket: 10340 (right)

Specify right or left hand

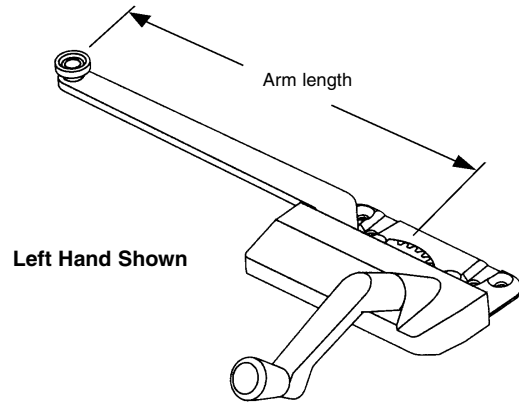
(Determined by the side hinge is on, when viewed from the **outside**).



Truth Part Numbers:
 Operator: 15.11
 Stud Bracket: 10415 (left)
 Stud Bracket: 10416 (right)

Specify right or left hand

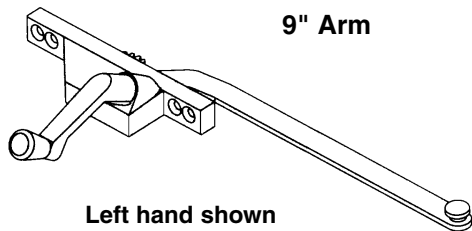
(Determined by the side hinge is on, when viewed from the **outside**).



Truth Part Numbers:
 Operator: 15.31 (9-1/2"); 15.32 (13-1/2")
 Handle: 10579

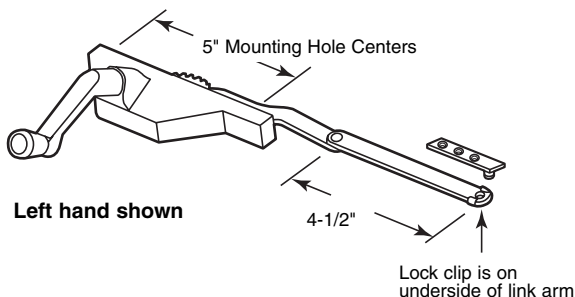
Specify right or left hand

(Determined by the side hinge is on, when viewed from the **outside**).



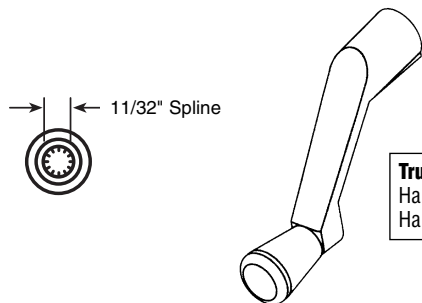
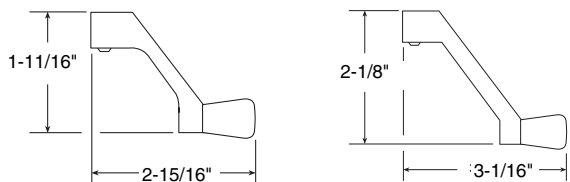
Truth Part Numbers:
Operator: 23.10
Handle: 10579

Specify right or left hand
(Determined by the side hinge is on, when viewed from the *inside*).



Truth Part Numbers:
Operator: 23.46
Stud Bracket: 10558
Handle: 10579

Specify right or left hand
(Determined by the side hinge is on, when viewed from the *inside*).



Truth Part Numbers:
Handle: 10579 (3-1/16")
Handle: 10024 (2-15/16")

Single Arm Operator (Face mount)

Contents: 1 operator; 1 handle and 1 set of installation screws.

Finish	Handing	Part No.
--------	---------	----------

Bronze	Left	TH-23014
Coppertone	Left	TH-23015
White	Left	TH-23016

Bronze	Right	TH-23017
Coppertone	Right	TH-23018
White	Right	TH-23019

Description: High pressure **diecast zinc** case, crank handle and knob in baked enamel finishes; **hardened steel** worm gear and gear arm are protected with corrosive resistant finish; **stainless steel** arm roller and rivet; operator provides arm movement for 90° window opening.

Dyad Operator (Face mount)

Contents: 1 operator; 1 handle and 1 set of installation screws.

Finish	Handing	Part No.
--------	---------	----------

Bronze	Left	TH-23089
White	Left	TH-23091

Bronze	Right	TH-23090
White	Right	TH-23092

Description: High pressure **diecast zinc** case, crank handle and knob in baked enamel finishes; **hardened steel** arms, worm and gear are protected with corrosive resistant finish; excellent for casement or single vent awning windows; detachable clip linkage allows for easy removal from sash; used extensively on vinyl windows; **machine screws thread thru window frame and into back of operator case.**

Operator Crank Handle

Contents: 1 handle.

Handle Size	Finish	Part No.
-------------	--------	----------

3-1/16"	Bronze	TH-21996
	Coppertone	TH-21998
	White	TH-22007
	Gold	TH-21999

2-15/16"	Bright Brass	TH-21896
----------	--------------	----------

Description: Diecast zinc and solid brass handle and knob; diecast handles are in baked enamel finishes; fits 11/32" Truth spindles only.

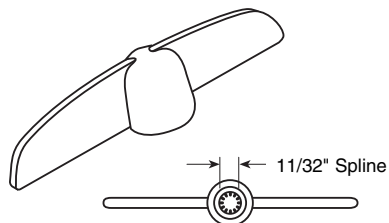
Truth Hardware (Handles & Covers)

- TH-22134 (Bronze)
- TH-22135 (Coppertone)
- TH-22136 (Gold)
- TH-22137 (Bright brass)
- TH-22142 (White)

Tee-Crank Handles

Contents: 1 handle.

Description: Diecast zinc handle and knob in **baked enamel and plated finishes**; ideal for low profile applications with mini-blinds and vertical blinds; **new snap-on design** does not require a set screw; fits **11/32" Truth spindles only**.



Truth Part Numbers:
Handle: 11573

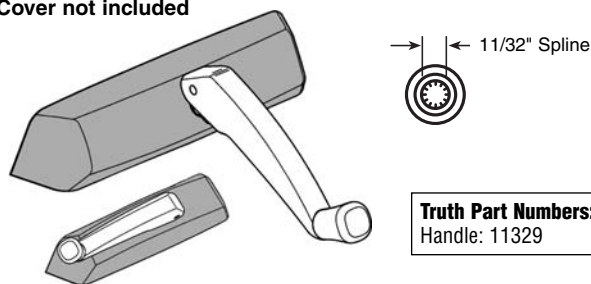
- TH-22243 (Bronze)
- TH-22245 (Coppertone)
- TH-22247 (Bright brass)
- TH-22253 (White)

Folding Handle

Contents: 1 handle.

Description: Diecast zinc handle and knob in **baked enamel and plated finishes**; this unique handle offers an **exceptionally low profile** when folded, yet the crank handle styling requires far less torque, to operate window, than traditional low-profile handles.

Cover not included



Truth Part Numbers:
Handle: 11329

Folded position

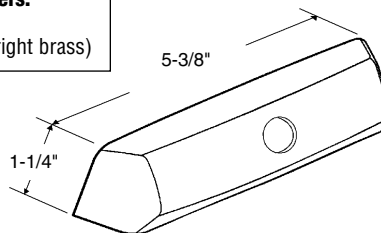
- TH-22232 (Bronze)
- TH-22233 (Coppertone)
- TH-22235 (Bright brass)
- TH-22240 (White)

"Entrygard" Operator Cover (Metal)

Contents: 1 cover.

Description: Diecast zinc cover is **baked enamel or plated finishes**; contemporary styling; designed to snap-on to the worm housing of **Truth "Entrygard" operators**.

Truth Part Numbers:
Cover: 11328
Cover: 10536 (Bright brass)

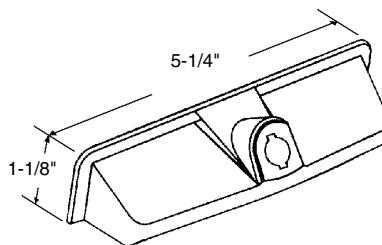


- TH-21928 (Bronze)
- TH-21931 (Coppertone)
- TH-21932 (Gold)
- TH-21986 (Bright brass)
- TH-21937 (White)

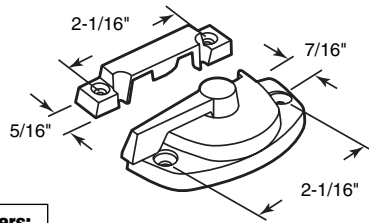
"Entrygard" Operator Cover (Plastic)

Contents: 1 cover.

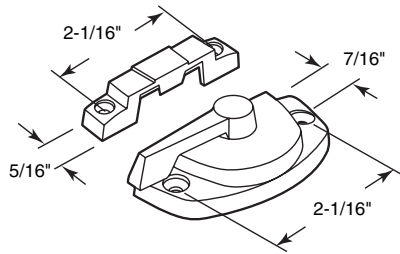
Description: **High impact plastic** snap-on cover offers traditional styling and easy replacement.



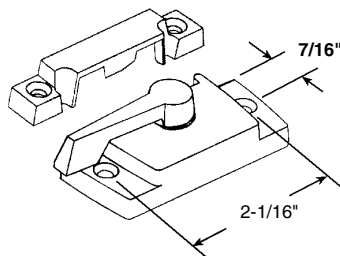
Truth Part Numbers:
Cover: 10341



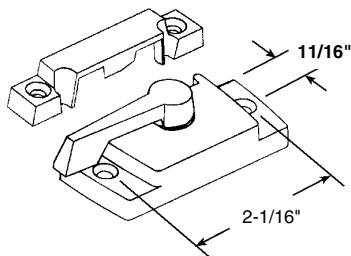
Truth Part Numbers:
Lock: 17.19
Keeper: 45131



Truth Part Numbers:
Lock: 17.23
Keeper: 40367



Truth Part Numbers:
Lock: 17.32
Keeper: 40967



Truth Part Numbers:
Lock: 17.35
Keeper: 40967

TH-23080 (Bronze)
TH-23081 (White)

"Entrygard II" Cam Lock (With lugs)

Contents: 1 lock; 1 keeper; 1 set of installation screws.

Description: High pressure, corrosive resistant diecast zinc; baked enamel finish; alignment lugs serve to prevent shifting of rails during locking, also enhances window seal.

TH-23082 (Bronze)
TH-23083 (White)

"Entrygard II" Cam Lock (Without lugs)

Contents: 1 lock; 1 keeper; 1 set of installation screws.

Description: High pressure, corrosive resistant diecast zinc; baked enamel finish; concealed locking mechanism reduces air infiltration by pulling meeting rails tightly together.

TH-23084 (Bronze)
TH-23085 (White)

"Trimline" Cam Lock (With lugs)

Contents: 1 lock; 1 keeper; 1 set of installation screws.

Description: High pressure, corrosive resistant diecast zinc; baked enamel finish; concealed locking mechanism pulls rails together helping to reduce air infiltration; alignment lugs prevent side shift of the sash; **slim-line design for narrow rail application**; lower profile allows maximum sash opening.

TH-23086 (Bronze)
TH-23087 (White)

"Trimline" Cam Lock (With lugs)

Contents: 1 lock; 1 keeper; 1 set of installation screws.

Description: High pressure, corrosive resistant diecast zinc; baked enamel finish; concealed locking mechanism pulls rails together helping to reduce air infiltration; alignment lugs prevent side shift of the sash; **slim-line design for narrow rail application**; lower profile allows maximum sash opening.

Truth Hardware (Sash & Casement Locks)

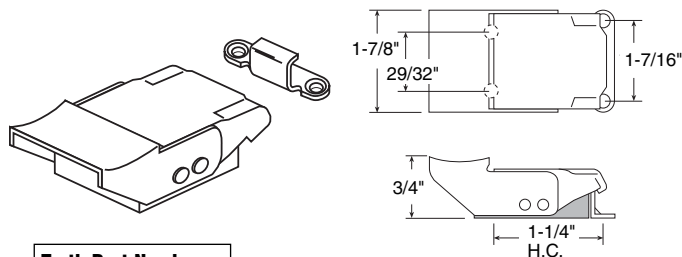
TH-23074 (Bronze)

TH-23075 (Gold)

Toggle Lock

Contents: 1 lock; 1 keeper; 1 set of installation screws.

Description: Baked enamel steel lock and keeper; cam toggle mechanism pulls meeting rails together; spring latch, in open position, retracts mechanism.



Truth Part Numbers:
Lock: 17.13
Keeper: 20057

TH-23053 (Bronze)

TH-23054 (Coppertone)

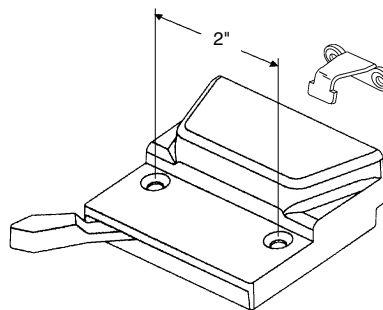
TH-23055 (Bright brass)

TH-23056 (White)

Low Profile Sash Lock (Non-handed)

Contents: 1 lock; 1 keeper; 1 set of installation screws.

Description: Painted and plated high pressure diecast zinc case and handle; painted steel backplate, keeper and locking cam; low profile design requires only a 5/8" stop thickness.



Truth Part Numbers:
Lock: 16.18
Keeper: 31344

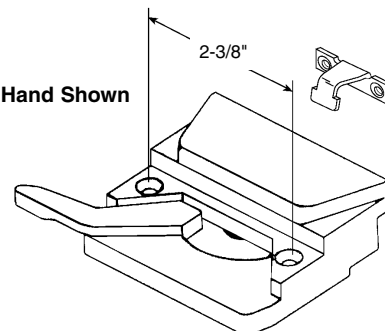
"Entrygard" Sash Lock

Contents: 1 lock; 1 keeper; 1 set of installation screws.

Finish	Handing	Part No.
Bronze	Left	TH-23044
Coppertone		TH-23045
Bright Brass		TH-23046
White		TH-23047
Bronze	Right	TH-23048
Coppertone		TH-23049
Bright Brass		TH-23050
White		TH-23051

Description: Painted and plated high pressure diecast zinc case and handle; painted steel backplate, keeper and locking cam; heavy duty for large casement windows; securely holds sash against weather stripping to help prevent water and air leakage.

Right Hand Shown



Truth Part Numbers:
Lock: 16.27
Keeper: 30827

Specify right or left hand

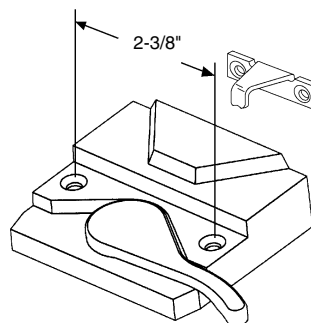
(Determined by the side hinge is on, when viewed from the *outside*).

Sash Lock

Contents: 1 lock; 1 keeper; 1 set of installation screws.

Finish	Handing	Part No.
Bronze	Left	TH-23095
White	Left	TH-23098
Bronze	Right	TH-23096
White	Right	TH-23099

Description: Baked enamel high pressure diecast zinc case and handle; painted steel latch and keeper; designed for easy removal of screen panel; excellent cam-acting sealing characteristics.

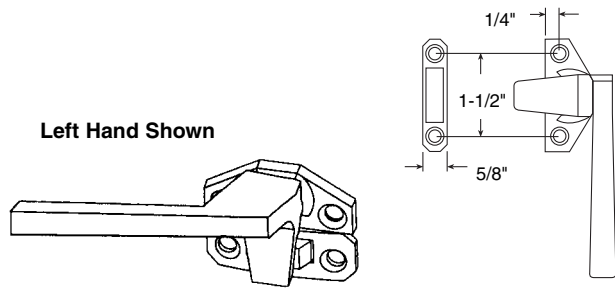


Left Hand Shown

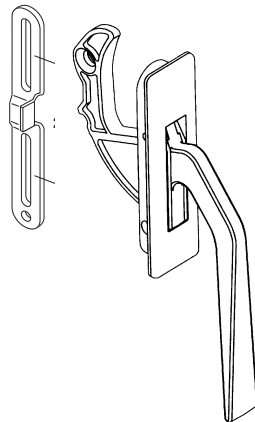
Truth Part Numbers:
Lock: 16.16
Keeper: 20034

Specify right or left hand

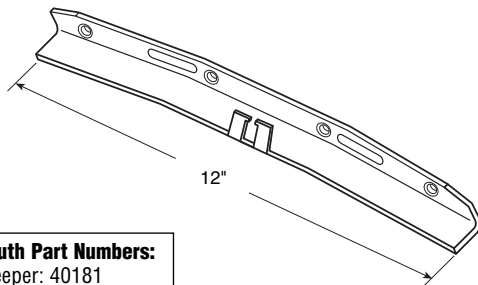
(Determined by the side hinge is on, when viewed from the *outside*).



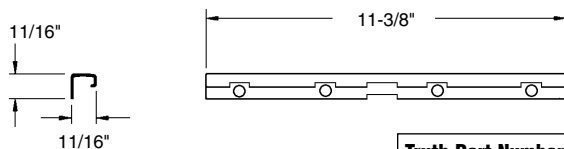
Truth Part Numbers:
 Handle: 25.29
 Strike housing: 20236
 Strike inserts: 20231 & 20233



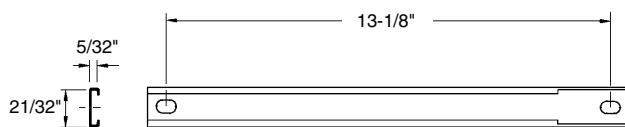
Truth Part Numbers:
 Handle: 24.25
 Keeper: 21088



Truth Part Numbers:
 Keeper: 40181



Truth Part Numbers:
 Track: 30473



Truth Part Numbers:
 Track: 30175

"Trimline" Cam Handle Lock

Contents: 1 lock; 1 strike housing; 2 strike inserts; 1 set of installation screws.

Finish	Handing	Part No.
Bronze	Left	TH-23057
White	Left	TH-23059
Bronze	Right	TH-23058
White	Right	TH-23060

Description: Baked enamel high pressure diecast zinc handle, base and strike housing; **black polyester** strike inserts (.218 and .344 high) accommodates various mounting applications; a 90° rotation of the handle locks or unlocks the sash.

TH-23093 (Bronze)
TH-23094 (White)

Locking Handle

Contents: 1 handle; 1 keeper; 1 set of installation screws.

Description: Baked enamel high pressure diecast zinc locking handle assembly; **painted steel** keeper; **face mounted style with threaded holes for rear mounting**; new design enhances grip to frame and improves sealing against dust and air infiltration.

EP-22593 (Bagged)

Torsion Bar Keeper

Contents: 1 bar.

Description: **Painted steel** torsion bar serves as additional stability to wide awning sash in open position; also assists in improving the seal at the corners on closing; use with lever and roto gear operators.

EP-22397 (Bagged)

Casement Operator Track

Contents: 1 track; 1 set of installation screws.

Description: **Painted steel** track; used with "**Entrygard**" dual arm operators (TH-23076 and TH-23077) as well as all surface mounted operators.

EP-22825 (Bagged)

Casement Operator Track

Contents: 1 track; 1 set of installation screws.

Description: **Stainless steel** track; use with single arm, face mounting, operators.

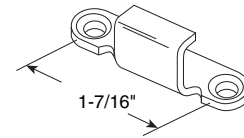
Truth Hardware (Keepers)

EP-22322 (Bagged)

Toggle Lock Keeper

Contents: 1 keeper.

Description: Painted steel keeper; "E-gard" neutral color finish has excellent corrosive resistant properties; use with toggle locks (TH-23074 and TH-23075).



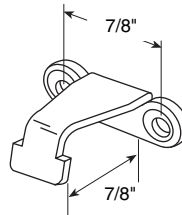
Truth Part Numbers:
Keeper: 20057

EP-22499 (Bagged)

Low Profile Lock Keeper

Contents: 1 keeper.

Description: Painted steel keeper; "E-gard" neutral color finish has excellent corrosive resistant properties; use with low profile sash locks (TH-23053 thru TH-23056).



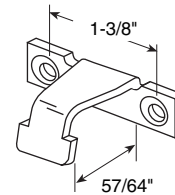
Truth Part Numbers:
Keeper: 31344

EP-22453 (Bagged)

Sash Lock Keeper

Contents: 1 keeper.

Description: Painted steel keeper; "E-gard" neutral color finish has excellent corrosive resistant properties; use with sash locks (TH-23044 thru TH-23051).



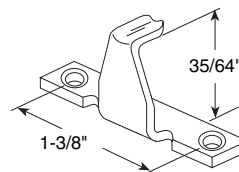
Truth Part Numbers:
Keeper: 30827

EP-22319 (Bagged)

Sash Lock Keeper

Contents: 1 keeper.

Description: Painted steel keeper; "E-gard" neutral color finish has excellent corrosive resistant properties; use with sash locks (TH-23095 thru TH-23099).



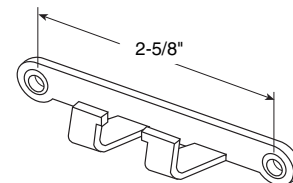
Truth Part Numbers:
Keeper: 20034

EP-22317 (Bagged)

Sash Hook

Contents: 1 hook.

Description: Painted steel keeper; "E-gard" neutral color finish has excellent corrosive resistant properties; use with lever and roto gear operators on awning windows.



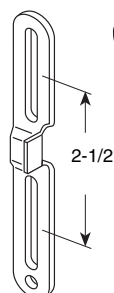
Truth Part Numbers:
Keeper: 20008

EP-22826 (Bagged)

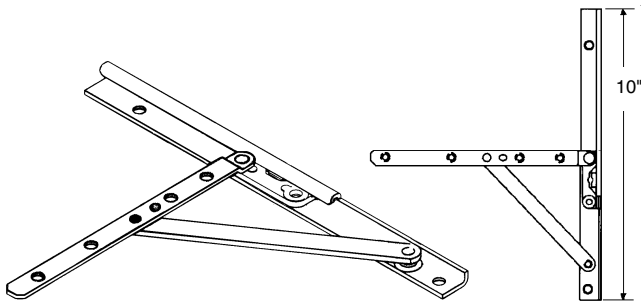
Locking Handle Keeper

Contents: 1 hook.

Description: Stainless steel keeper; use with casement locking handle (TH-23093 & TH-23094).



Truth Part Numbers:
Keeper: 21088



Truth Part Numbers:
Hinge: 14.75

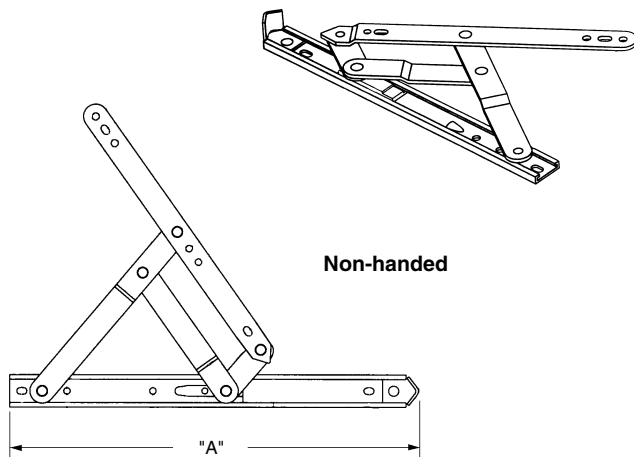
EP-23088 (Bagged)

Concealed Casement Hinge

Contents: 1 pair of hinges (1 left and 1 right).

Description: Stainless steel track with special "Corrosion Gard" plated steel sash and support arms; delrin shoe glide provides self-cleaning action in the track for extended life; special stop feature on support arm prevents window from opening past 90°; flat bottom track reduces rocking.

Used with TH-23076, TH-23077 and all surface or face mount operators.



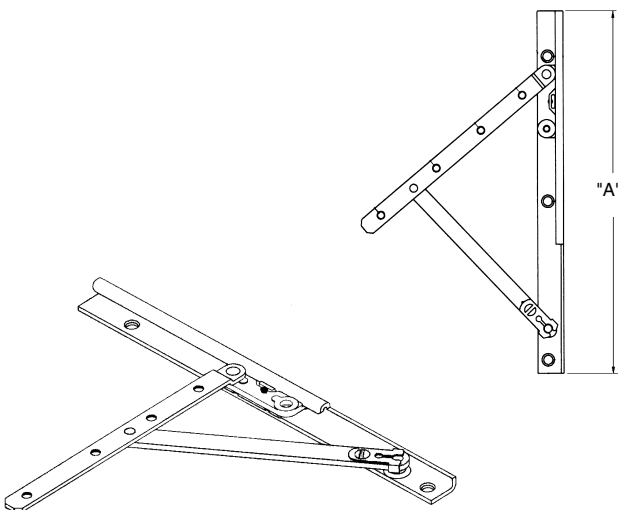
4-Bar Hinges (Non-handed)

Contents: 1 hinge.

Dimension "A"	Truth No.	Bagged Part No.
8"	34.17	EP-21080
10"	34.18	EP-21083
12"	34.19	EP-21090
14"	34.20	EP-21094
16"	34.21	EP-21099
18"*	—	—
20"	34.23	EP-21105

*Item has been discontinued, use 16" as replacement.

Description: Zinc plated steel hinges with yellow dichromate dip for protection against corrosion; standard duty with stop for awning and projected windows; sliding brass shoe guide; generally used with "Dyad" (two link design) operators.



Awning Window Hinges

Contents: 1 pair of hinges (1 left and 1 right).

Dimension "A"	Truth No.	Bagged Part No.
14"	13.14	EP-23065
18"	13.15	EP-23066
22"	13.16	EP-23067
26"	13.17	EP-23068

Description: Steel track with heavy gauge steel support arms are plated with "Corrosion Gard" for protection; acetal shoe guide with stainless steel insert; these hinges balance a sash as it opens, for smooth effortless operation; detachable support arms allow quick installation of the sash into the frame.

Used with awning window operators.

INDEX - Window Screen Hardware

Part No.	Page No.	Description	Package Quantity	Standard Pack
CCEP-5529 (Mill finish)	L-9	Hangers and Latches	2 sets	50
CCEP-5552 (Mill finish)	L-9	Bottom Latches	4	100
L-5500 (Mill)	L-1	Diecast Clip	12	6
L-5501 (Mill)	L-1	Diecast Clip	12	6
L-5502 (Mill)	L-1	Diecast Clip	12	6
L-5503 (Mill)	L-1	Diecast Clip	12	6
L-5504 (Mill)	L-1	Diecast Clip	12	6
L-5505 (Mill)	L-1	Diecast Clip	12	6
L-5506 (White)	L-2	Flush Clip (Plastic)	12	6
L-5507 (Gray)	L-2	Plastic Clip	12	6
L-5508 (Gray)	L-2	Plastic Clip	12	6
L-5509 (Gray)	L-2	Plastic Clip	12	6
L-5510 (Gray)	L-2	Plastic Clip	12	6
L-5511 (Gray)	L-2	Plastic Clip	12	6
L-5512 (5/16")	L-4	Casement Clip (Aluminum)	12	6
L-5513 (3/8")	L-4	Casement Clip (Aluminum)	12	6
L-5514 (7/16")	L-4	Casement Clip (Aluminum)	12	6
L-5515 (7/8")	L-4	Casement Clip (Aluminum)	12	6
L-5516 (1-3/16")	L-4	Casement Clip (Aluminum)	12	6
L-5517 (White)	L-2	Flush Clip (Plastic)	12	6
L-5518	L-1	Diecast Clip	6	6
L-5519	L-4	Retainer Clip (Spring steel)	6	6
L-5520	L-4	Retainer Clip (Spring steel)	6	6
L-5521	L-4	Retainer Clip (Vinyl)	6	6
L-5522	L-5	Lift and Retainer Clip (Vinyl)	6	6
L-5523	L-6	Lift Tab (Plastic)	6	6
L-5524	L-6	Lift Tab (Metal)	6	6
L-5525 (White)	L-6	Lift Tab (Plastic)	6	6
L-5527 (Round top)	L-11	Tension Spring	6	6
L-5528	L-12	Tension Spring	12	6
L-5529 (Mill finish)	L-9	Hangers and Latches	2 sets	6
L-5532 (Plated steel)	L-11	Spring Latch	6	6
L-5534	L-11	Top Hanger	4	6
L-5535	L-12	Hook & Eye	2	6
L-5536 (For 5/8" frame)	L-8	Lock Pin	6	6
L-5537 (For 3/4" frame)	L-8	Lock Pin	6	6
L-5538 (For 1" frame)	L-8	Lock Pin	6	6
L-5539	L-8	Plunger Latch	6	6
L-5540	L-8	Plunger Latch	6	6
L-5541	L-8	Plunger Latch	6	6
L-5542	L-8	Plunger Latch	6	6
L-5543 (Snap-on)	L-9	Knife Latch	3 pair	6
L-5544 (Rivet-on)	L-9	Knife Latch	3 pair	6
L-5545 (For 3/4" frame)	L-8	Slide Lock	6	6
L-5548	L-3	Flush Clip	6	6
L-5549 (Mill)	L-1	Diecast Clip	12	6
L-5550 (Mill)	L-1	Diecast Clip	12	6
L-5551 (Painted gray)	L-9	Hangers and Latches	2 sets	6
L-5552 (Mill finish)	L-9	Bottom Latch	4	6
L-5553 (Painted gray)	L-9	Bottom Latch	4	6
L-5554	L-10	Spline Latch	4	6
L-5555	L-8	Plunger Latch	6	6
L-5557 (1/4")	L-1	Diecast Clips	12	6
L-5559 (For 5/8" frame)	L-8	Slide Lock	6	6
L-5560 (Mill finish)	L-10	Top Hanger	6	6

INDEX - Window Screen Hardware

Part No.	Page No.	Description	Package Quantity	Standard Pack
L-5561 (Swivel)	L-9	Knife Latch	3 pair	6
L-5562	L-9	Knife Latch	6	6
L-5563	L-5	Retainer Clips (Vinyl)	2 sets	6
L-5566 (Black)	L-6	Lift Tabs (Plastic)	6	6
L-5567	L-10	Nail Set Tool	1	6
L-5568	L-11	Retainer Clip Assemblies	6	6
L-5569 (Brown)	L-2	Flush Clip (Plastic)	12	6
L-5570 (Black)	L-2	Plastic Clip	12	6
L-5571 (Black)	L-2	Plastic Clip	12	6
L-5572 (Black)	L-2	Plastic Clip	12	6
L-5573 (White)	L-2	Plastic Clip	12	6
L-5574 (White)	L-2	Plastic Clip	12	6
L-5575 (White)	L-2	Plastic Clip	12	6
L-5576	L-5	Lift and Retainer Clip (Aluminum)	6	6
L-5577 (1/4" wide)	L-12	Tension Spring	6	6
L-5578	L-7	Stretcher Clip	12	6
L-5579	L-7	Stretcher Clip	12	6
L-5580	L-7	Stretcher Clip	12	6
L-5581	L-7	Stretcher Clip	12	6
L-5582	L-7	Stretcher Clip	12	6
L-5583 (Bronze)	L-1	Diecast Clip	12	6
L-5584 (Bronze)	L-1	Diecast Clip	12	6
L-5585 (Bronze)	L-1	Diecast Clip	12	6
L-5586 (Bronze)	L-1	Diecast Clip	12	6
L-5587 (Bronze)	L-1	Diecast Clip	12	6
L-5588 (Bronze)	L-1	Diecast Clip	12	6
L-5589 (Bronze)	L-1	Diecast Clip	12	6
L-5590 (Bronze)	L-1	Diecast Clip	12	6
L-5596	L-7	Stretcher Clip	12	6
L-5597	L-7	Stretcher Clip	12	6
L-5598	L-7	Stretcher Clip	12	6
L-5599	L-7	Stretcher Clip	12	6
L-5600	L-7	Stretcher Clip	12	6
L-5602	L-7	Stretcher Clip	12	6
L-5603	L-4	Retainer Clip (Vinyl)	6	6
L-5604	L-12	Clips	4	6
L-5605 (3/16" wide)	L-12	Tension Spring	6	6
L-5606 (Mill)	L-1	Diecast Clip	12	6
L-5607 (Bronze)	L-1	Diecast Clip	12	6
L-5608 (White)	L-1	Diecast Clip	12	6
L-5609 (White)	L-1	Diecast Clip	12	6
L-5610 (White)	L-1	Diecast Clip	12	6
L-5611 (White)	L-1	Diecast Clip	12	6
L-5612 (White)	L-1	Diecast Clip	12	6
L-5613 (White)	L-1	Diecast Clip	12	6
L-5614 (White)	L-1	Diecast Clip	12	6
L-5615 (White)	L-1	Diecast Clip	12	6
L-5616 (White)	L-1	Diecast Clip	12	6
L-5617	L-3	Turn Button (White plastic)	12	6
L-5618	L-3	Swivel Clip (Black nylon)	12	6
L-5620 (Heavy Duty)	L-12	Tension Spring	12	6
L-5621	L-3	Wing Clip	12	6
L-5622	L-7	Stretcher Clip	12	6
L-5623	L-10	Retainer Clip	4	6
L-5624	L-10	Retainer Clip	4	6

INDEX - Window Screen Hardware

Part No.	Page No.	Description	Package Quantity	Standard Pack
L-5625	L-10	Retainer Clip	4	6
L-5626	L-10	Retainer Clip	4	6
L-5628	L-12	Step Drill	1	6
L-5629 (Flat top)	L-11	Tension Springs	6	6
L-5630 (Black)	L-2	Plastic Clip	12	6
L-5631	L-8	Plunger Latch	6	6
L-5632	L-8	Plunger Latch	6	6
L-5642	L-5	Retainer Clip (Vinyl)	6	6
L-5643	L-5	Retainer Clip (Vinyl)	6	6
L-5654	L-5	Retainer Clips (Vinyl)	4 sets	6
L-5655	L-3	Metal Clip	12	6
L-5656	L-3	Metal Clip	12	6
L-5658 (Stainless steel)	L-11	Spring Latch	6	6
L-5659 (Stainless steel)	L-11	Spring Latch	6	6
L-5660 (Stainless steel)	L-11	Spring Latch	6	6
L-5661	L-11	Top Hanger	2	6
L-5664 (Black)	L-2	Flush Clip (Plastic)	12	6
L-5665 (Mill)	L-1	Diecast Clip	12	6
L-5666 (Mill)	L-1	Diecast Clip	12	6
L-5667 (Mill)	L-1	Diecast Clip	12	6
L-5668 (Bronze)	L-1	Diecast Clip	12	6
L-5669 (Bronze)	L-1	Diecast Clip	12	6
L-5670 (Bronze)	L-1	Diecast Clip	12	6
L-5671 (5/16")	L-2	Plastic Clip (Gray)	12	6
L-5672 (3/8")	L-2	Plastic Clip (Gray)	12	6
L-5673 (7/16")	L-2	Plastic Clip (Gray)	12	6
L-5674 (White)	L-1	Diecast Clip	12	6
L-5675 (White)	L-1	Diecast Clip	12	6
L-5676 (White)	L-1	Diecast Clip	12	6
L-5677 (Gray)	L-6	Lift Tabs (Plastic)	6	6
L-5678	L-7	Stretcher Clip	12	6
L-5679 (Gray)	L-2	Plastic Clip	12	6
L-5680 (Gray)	L-2	Flush Clip (Plastic)	12	6
L-5682	L-7	Stretcher Clip	12	6
L-5683 (White)	L-10	Top Hangers	6	6
L-5684	L-5	Retainer Clip (Vinyl)	4 sets	6
L-5685	L-6	Lift Tabs (Plastic)	6	6
L-5686 (Gray)	L-6	Lift Tabs (Vinyl)	6	6
L-5687 (Black)	L-6	Lift Tabs (Vinyl)	6	6
L-5706 (Black)	L-4	Nylon Clip	4	6
L-5707 (White)	L-4	Nylon Clip	4	6
L-5718 (Black)	L-2	Plastic Clip	12	6
L-5719 (Black)	L-2	Plastic Clip	12	6
L-5720 (Black)	L-2	Plastic Clip	12	6
L-5721 (White)	L-2	Plastic Clip	12	6
L-5722 (White)	L-2	Plastic Clip	12	6
L-5723 (White)	L-2	Plastic Clip	12	6
L-5724 (Bronze)	L-2	Plastic Clip	12	6
L-5725 (Bronze)	L-2	Plastic Clip	12	6
L-5726 (Bronze)	L-2	Plastic Clip	12	6
L-5727 (Bronze)	L-2	Plastic Clip	12	6
L-5728 (Bronze)	L-2	Plastic Clip	12	6
L-5729 (Bronze)	L-2	Plastic Clip	12	6
PL-14705	L-10	Ball Head Screws	100	1
PL-14706	L-10	Ball Head Screws	1000	1

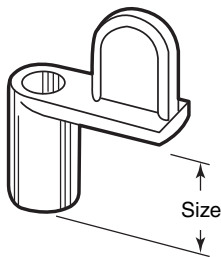
INDEX - **Window Screen Hardware**

Part No.	Page No.	Description	Package Quantity	Standard Pack
PL-14732	L-10.....	Self-Tapping Screws.....	100.....	1

Finish (Part Number)

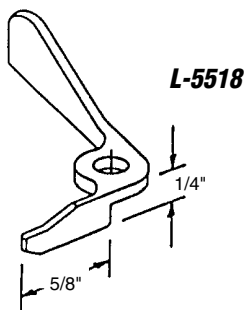
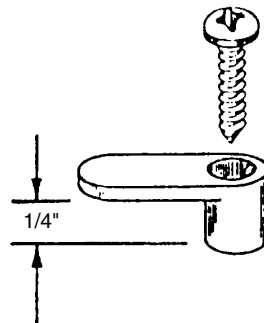
Size	Mill	Bronze	White
Flush *	L-5500	L-5583	L-5608
1/16" *	L-5501	L-5584	L-5609
1/8" *	L-5502	L-5585	L-5610
3/16" *	L-5549	L-5586	L-5611
1/4" *	L-5550	L-5587	L-5612
5/16" **	L-5503	L-5588	L-5613
3/8" **	L-5504	L-5589	L-5614
7/16" **	L-5505	L-5590	L-5615
1-3/16" **	L-5606	L-5607	L-5616

*No. 8 Phillips pan head sheet metal screws.
 **No. 10-24 Phillips pan head machine screws.



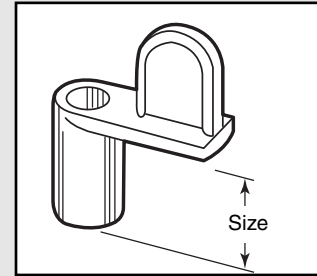
**Special
For Hawaii**

L-5557



Diecast Clips

Contents: 12 clips with installation screws.



Description: Painted and plated clips used to attach screen to window opening.

NOTE: Also available in bulk (1000/ctn.)
Almond & Adobe available in bulk only.

Diecast Clips (Special)

Contents: 12 clips with #8 x 1" Phillips pan head sheet metal screws.

Finish (Part Number)

Size	Mill	Bronze	White
5/16"	L-5665	L-5668	L-5674
3/8"	L-5666	L-5669	L-5675
7/16"	L-5667	L-5670	L-5676

Description: Painted and plated clips; supplied with 1" long sheet metal screws for Hawaii installations.

L-5557 (1/4")

Diecast Clips

Contents: 12 clips with #8 x 3/4" Phillips pan head sheet metal screws.

Description: Flat top style clips used to attach screen to window opening.

L-5518

Diecast Clips

Contents: 6 clips with #4 x 3/8" Phillips pan head sheet metal screws.

Description: Lever style clip used to attach screen to window opening.

*Call for
Availability*

Window Screen Hardware

Plastic Clips

Contents: 12 clips with installation screws.

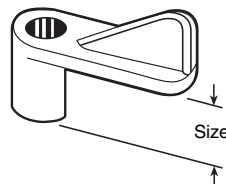
Color (Part Number)

Size	Gray	Black	White	Bronze
1/16" *	L-5507	L-5718	L-5721	L-5724
1/8" *	L-5679	L-5719	L-5722	L-5725
3/16" *	L-5508	L-5720	L-5723	L-5726
5/16" **	L-5509	L-5570	L-5573	L-5727
3/8" **	L-5510	L-5571	L-5574	L-5728
7/16" **	L-5511	L-5572	L-5575	L-5729

Description: Clips in various colors used to attach screen to window opening.

*No. 8 Phillips pan head **sheet metal screws**.

No. 10-24 Phillips pan head **machine screws.



- L-5671** (5/16")
- L-5672** (3/8")
- L-5673** (7/16")

Plastic Clips (Gray)

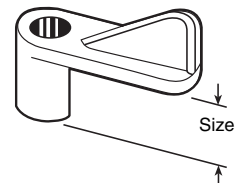
Contents: 12 clips with #8 x 1" Phillips pan head sheet metal screws.

Description: Clips are supplied with **1" long screws** for **Hawaii** installations.



**Special
For Hawaii**

- L-5671**
- L-5672**
- L-5673**

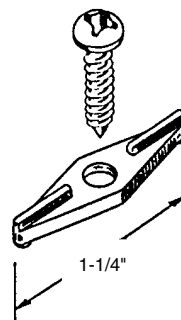


- L-5517** (White)
- L-5664** (Black)

Flush Clips (Plastic)

Contents: 12 clips with #6 x 5/8" Phillips pan head sheet metal screws.

Description: **Double wing** flush clips used to attach screens and storm windows to window opening.



- L-5517**
- L-5664**

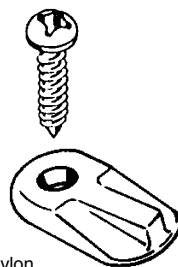
Flush Clips (Plastic)

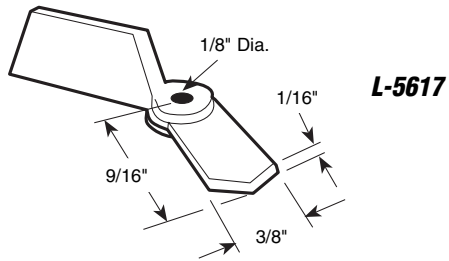
Contents: 12 clips with #8 x 3/4" Phillips pan head sheet metal screws.

Color	Part Number
White	L-5506
Brown	L-5569
Black	L-5630
Gray	L-5680

Description: Clips are supplied with screws, used to attach screens and storm windows to window opening.

- L-5506**
- L-5569**
- L-5630**
- L-5680**



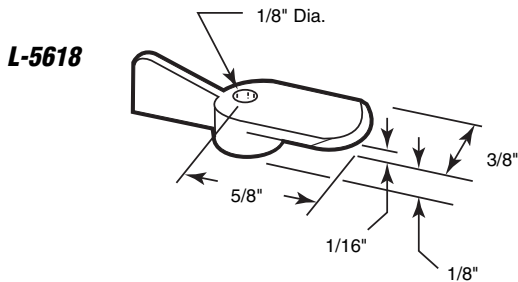


L-5617

Turn Buttons (White plastic)

Contents: 12 turn buttons with #4 x 3/4" Phillips pan head sheet metal screws.

Description: Turn buttons used to attach screens and storm windows to window opening.

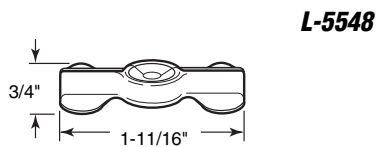


L-5618

Swivel Clips (White nylon)

Contents: 12 clips with #8 x 3/4" Phillips pan head sheet metal screws.

Description: Swivel clips used to attach screens and storm windows to window opening.

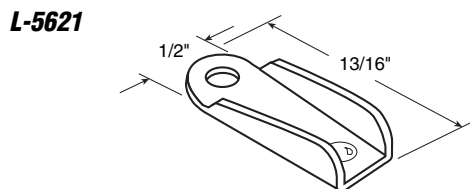


L-5548

Flush Clips

Contents: 6 clips with #8 x 1/2 flat head sheet metal screws.

Description: Nickel plated steel, double wing clips used to attach screens and storm windows to window opening; also applied to narrow rails to hold adjacent screens in place.

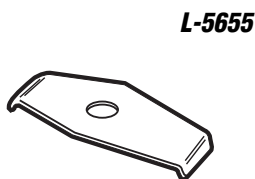


L-5621

Wing Clips

Contents: 12 clips with #8 x 3/4" Phillips pan head sheet metal screws.

Description: Stamped aluminum clips used to attach screens and storm windows to window opening.



L-5655

Metal Clips

Contents: 12 clips with #8 x 3/4" Phillips pan head sheet metal screws.

Description: Stamped aluminum, double wing clips commonly applied to narrow rails on interior of double casement windows to hold adjacent screens in place.



L-5656

Metal Clips

Contents: 12 clips with #8 x 3/4" Phillips pan head sheet metal screws,

Description: Stamped aluminum clips used with L-5655 on casement window applications and other similar flush mount applications..

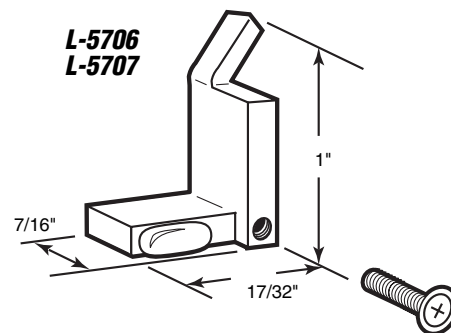
Window Screen Hardware

L-5706 (Black)
L-5707 (White)

Nylon Clips

Contents: 4 clips with #6 x 5/8" round washer head machine screws.

Description: Clips used to attach screens to **Acorn** windows.

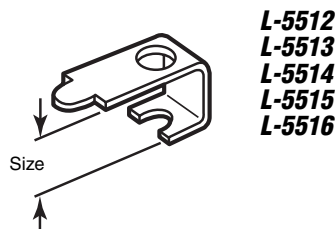


L-5512 (5/16")
L-5513 (3/8")
L-5514 (7/16")
L-5515 (7/8")
L-5516 (1-3/16")

Casement Clips (Aluminum)

Contents: 12 clips with #10-24 Phillips pan head machine screws.

Description: Casement clips used to secure window screens and storm windows to window or storm door openings.



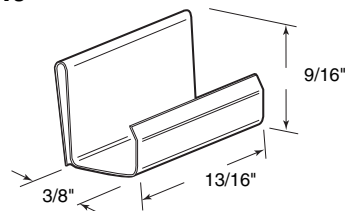
L-5519

Retainer Clips (Spring steel)

Contents: 6 clips.

Description: Retainer clips hold 3/8" screen frame into aluminum window channel; **bright finish**.

L-5519



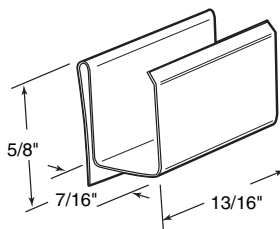
L-5520

Retainer Clips (Spring steel)

Contents: 6 clips.

Description: Retainer clips hold 7/16" screen frame to aluminum window channel; **bright finish**.

L-5520



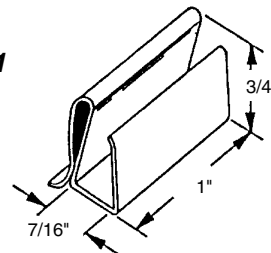
L-5521

Retainer Clips (Vinyl)

Contents: 6 clips.

Description: **Black vinyl** clips are used to hold 3/8" and 7/16" screen frame into aluminum window channel.

L-5521

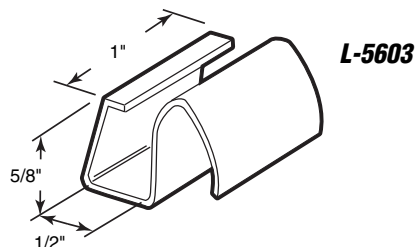


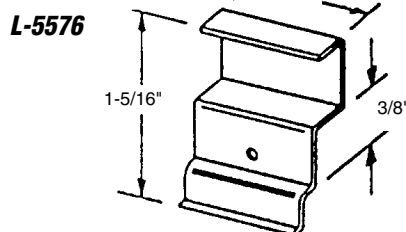
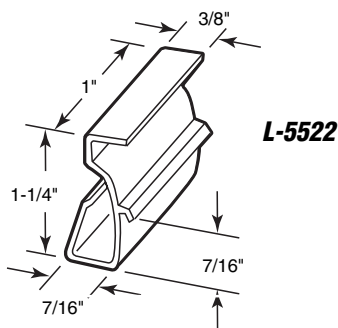
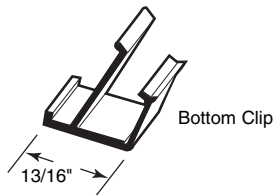
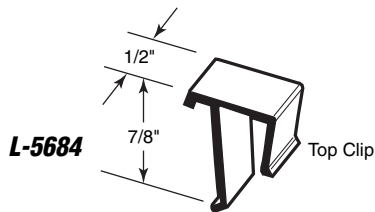
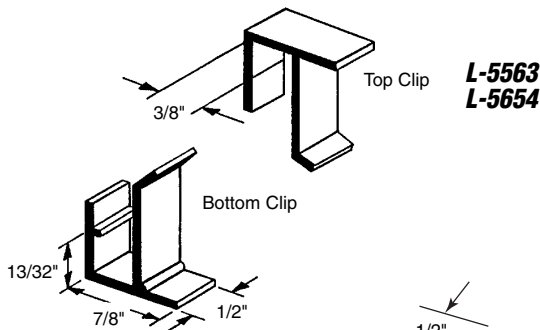
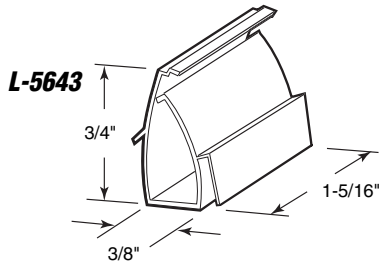
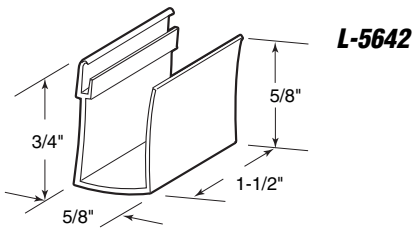
L-5603

Retainer Clips (Vinyl)

Contents: 6 clips

Description: **Black vinyl** clips are used to hold 3/8" screen frame into aluminum window channel; fits on **Tom Ray** windows.





L-5642

Retainer Clips (Vinyl)

Contents: 6 clips.

Description: Black vinyl clips are used to hold screen frame into aluminum window channel; fits on "Old Style" *Better Built* windows.

L-5643

Retainer Clips (Vinyl)

Contents: 6 clips.

Description: Black vinyl clips are used to hold screen frame into aluminum window channel; fits on "New Style" *Better Built* windows.

L-5563 (2 sets/card)

L-5654 (4 sets/card)

Retainer Clips (Vinyl)

Contents: 1 set = 1 top clip and 1 bottom clip.

Description: Black vinyl clips hold screen frame into sliding window frame channel; fits on *H&D Industries* for 7/16" frame. Very popular in the Northwest.

L-5684

Retainer Clips (Vinyl)

Contents: 4 top and 4 bottom clips.

Description: Black vinyl clips hold screen frame into sliding window frame channel; for 3/8" frame.

L-5522

Lift and Retainer Clips (Vinyl)

Contents: 6 clips

Description: Black vinyl clips used to hold 3/8" screen frame into aluminum window channel; lift tab assists in screen removal.

L-5576

Lift and Retainer Clips (Aluminum)

Contents: 6 clips with installation screws.

Description: Stamped aluminum clip used as a lift handle and screen frame retainer on sliding aluminum windows.

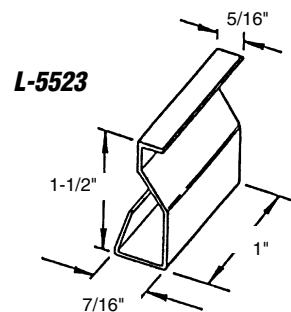
Window Screen Hardware

L-5523

Lift Tabs (Plastic)

Contents: 6 tabs.

Description: **Black vinyl** lift tabs used to aid in removal of **7/16" window screen** from window frame.

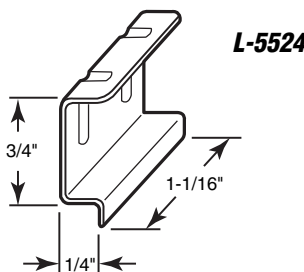


L-5524

Lift Tabs (Metal)

Contents: 6 tabs.

Description: **Stamped aluminum** lift tab is installed in spline channel to aid in removal of window screen from window frame.



L-5525 (White)

L-5566 (Black)

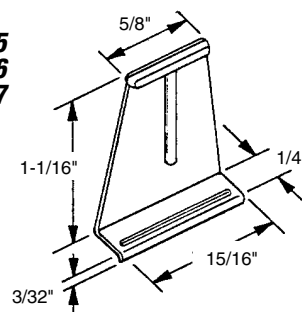
L-5677 (Gray)

Lift Tabs (Plastic)

Contents: 6 tabs.

Description: **Plastic** lift tab is installed in spline channel to aid in removal of window screen from window frame.

L-5525 L-5566 L-5677

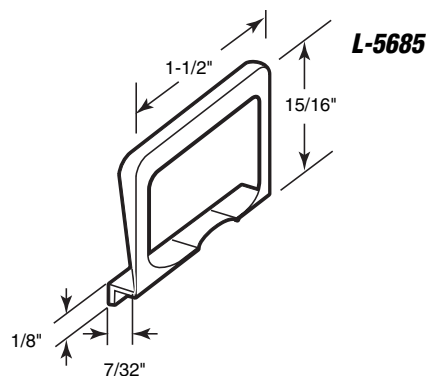


L-5685

Lift Tabs (Plastic)

Contents: 6 tabs.

Description: **Deluxe black plastic** lift tab is installed in spline channel to aid in removal of window screen from window frame.



L-5686 (Gray)

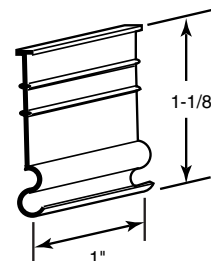
L-5687 (Black)

Lift Tabs (Vinyl)

Contents: 6 tabs.

Description: **Vinyl** lift tab may be installed in most sizes of spline channel to aid in removal of window screen from window frame.

L-5686 L-5687



Stretcher Clips

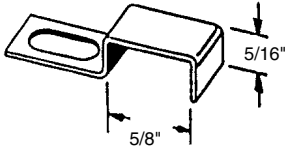
Contents: 12 clips; 12 - #10 x 3/8" Phillips pan head sheet metal screws.

Part #	Frame Application
L-5578	3/8" x 5/8" flanged frame
L-5579	5/16" x 3/4" frame
L-5580	3/8" x 3/4" frame
L-5581	7/16" x 11/16" frame
L-5582*	For "Miami" Windows
L-5596	1/4" x 3/4" frame
L-5597	For flanged frame
L-5598	For "Keller" windows - old style
L-5599	For "Keller" windows - new style
L-5600	"Z" clips with 1/8" offset
L-5602	1/4" x 11/16" frame
L-5622	3/8" x 13/16" flanged frame
L-5678	For recessed frame
L-5682	3/8" x 5/8" frame

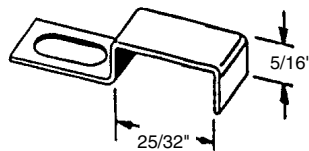
Description: Stamped aluminum clips for attaching window screens to awning and other types of windows.

*Installation screws are not required for this item.

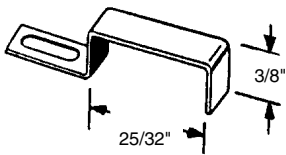
L-5578



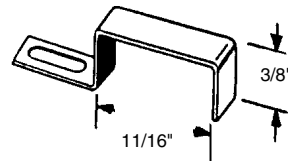
L-5579



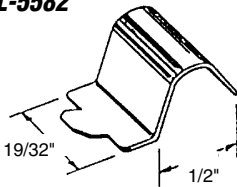
L-5580



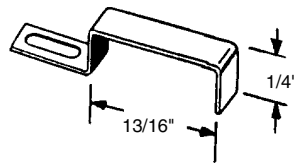
L-5581



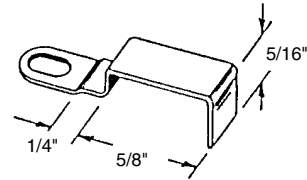
L-5582



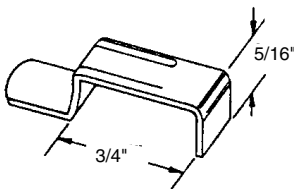
L-5596



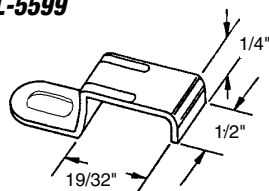
L-5597



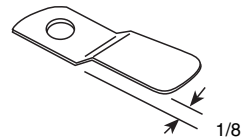
L-5598



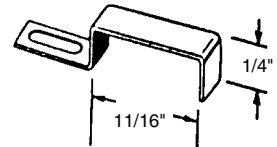
L-5599



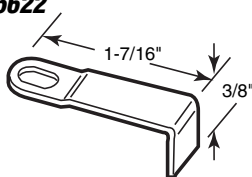
L-5600



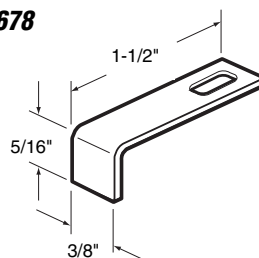
L-5602



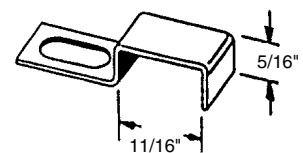
L-5622



L-5678



L-5682

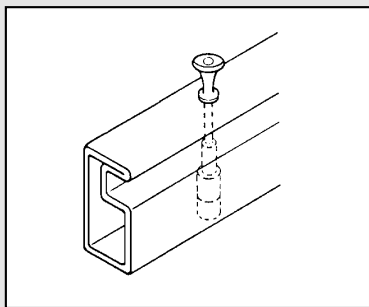


Plunger Latches

Contents: 6 latch assemblies.

Part #	Plunger	Cap	Screen Frame
L-5539	Nylon	Nylon	1/4" or 5/16" x 3/4"
L-5540	Nylon	Nylon	3/8" or 7/16" x 3/4"
L-5541	Diecast	Nylon	3/8" or 7/16" x 3/4"
L-5542	Diecast	Nylon	7/16" x 1"
L-5555	Aluminum	Aluminum	5/8"
L-5631	Aluminum	Aluminum	7/16" x 3/4"
L-5632	Aluminum	Aluminum	7/16" x 1"

Description: Spring loaded plunger latches hold aluminum frame screens into window frames.



Note: For new installations, see **part no. L-5628** on **page L-12**. This **step drill** may be used for drilling screen frame for all plunger latches except **part no. L-5539**.

L-5536 (For 5/8" frame) - 3/32"

L-5537 (For 3/4" frame) - 1/8"

L-5538 (For 1" frame) - 1/8"

Lock Pins

Contents: 6 pins.

Description: Plated steel pin used to secure window screens to sliding aluminum windows.

L-5545 (1-1/2" long)

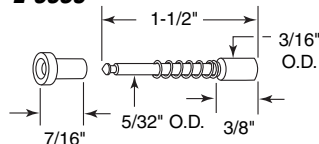
L-5559 (1-13/32" long)

Slide Locks

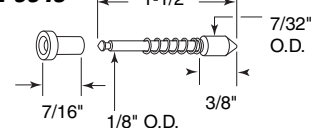
Contents: 6 locks.

Description: Stamped aluminum locks used to attach window screens to aluminum window channels.

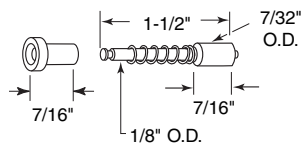
L-5539



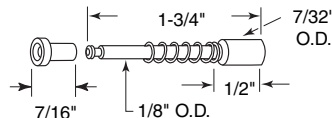
L-5540



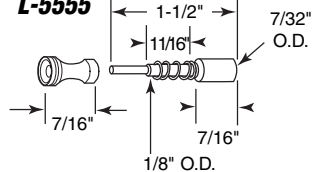
L-5541



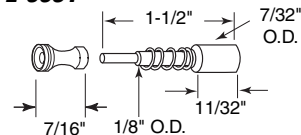
L-5542



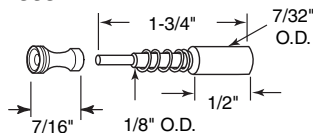
L-5555



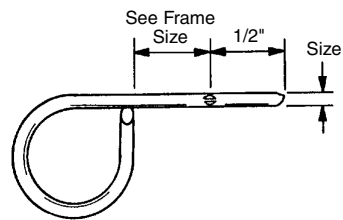
L-5631



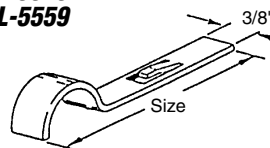
L-5632

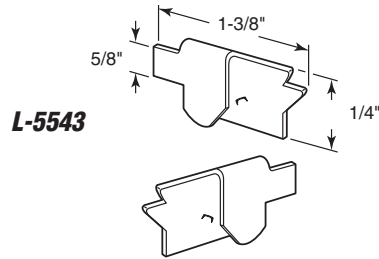


L-5536
L-5537
L-5538

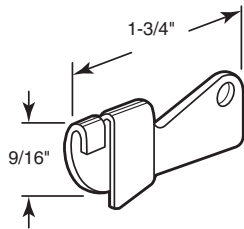


L-5545
L-5559

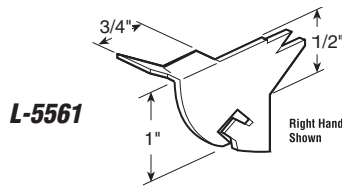




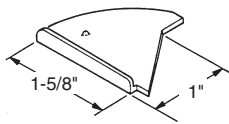
L-5543



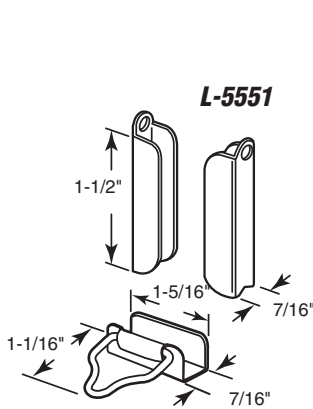
L-5544



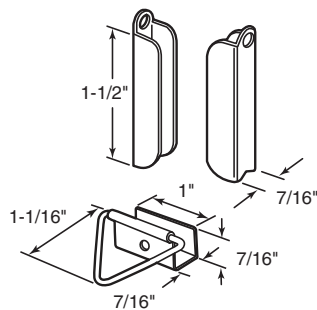
L-5561



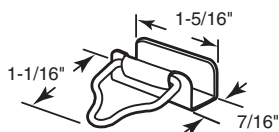
L-5562



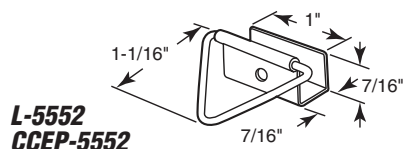
L-5551



L-5529
CCEP-5529



L-5553



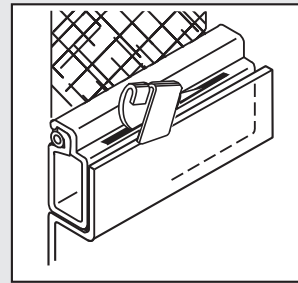
L-5552
CCEP-5552

- L-5543** (Snap-on)
- L-5544** (Rivet-on)
- L-5561** (Swivel)
- L-5562** (Swivel)

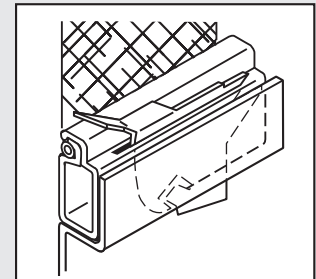
Knife Latches

Contents: 3 left hand & 3 right hand latches.

Description: Stamped aluminum latches used to secure window screens to sliding aluminum window frames.



Clasp Latching



Slot Latching

L-5529 (Mill finish)*

L-5551 (Painted gray)

Hangers and Latches

Contents: 4 top hangers; 2 bottom latches; 2 ball head screws.

Description: Stamped aluminum hardware used to install 7/16" thick window screens to wood framed windows; the contents will accommodate installation of (2) window screens.

*Bulk: CCEP-5529 (2 sets/bag) 50 bags/box.

L-5552 (Mill finish)*

L-5553 (Painted gray)

Bottom Latches

Contents: 4 latches; 4 ball head screws.

Description: Stamped aluminum latches slip-on to bottom of 7/16" thick frame; used to hold bottom of window screen to wood window sill.

*Bulk: CCEP-5552 (4/bag) 100 bags/box.

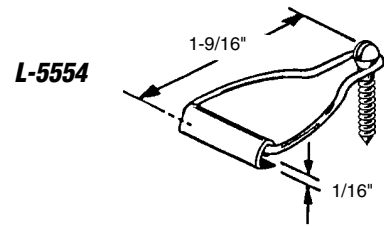
Window Screen Hardware

L-5554

Spline Latch

Contents: 4 latches; 4 ball head screws.

Description: Stamped aluminum latch is installed into spline channel of window screen; used to hold bottom of screen to wood-framed window sill.



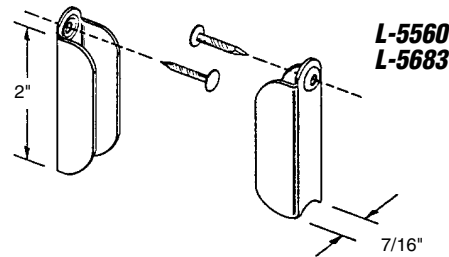
L-5560 (Aluminum)

L-5683 (White)

Top Hangers

Contents: 6 hangers; 6 nails.

Description: Stamped mill finish and white painted aluminum hangers nail into top corners of wood window frame; used to hold 7/16" thick screen frame to window frame and allow for easy removal.

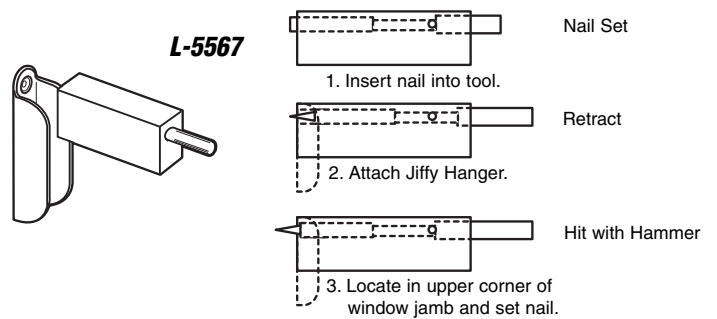


L-5567

Nail Set Tool

Contents: 1 tool.

Description: Plated steel tool used to install nails into wood framed windows using L-5529, L-5551, L-5560 hangers.



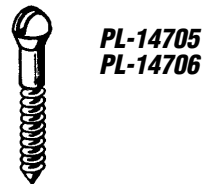
PL-14705 (100/tub)

PL-14706 (1000/tub)

Ball Head Screws

Contents: Bulk screws in plastic tub.

Description: Plated steel screws are used with bottom latches L-5552, L-5553 & L-5554 to hold window screen to wood window sill; no. 8 x 1" ball head screw.

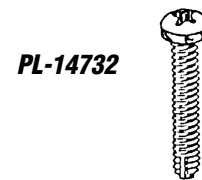


PL-14732

Self-Tapping Screws

Contents: 100 bulk screws in plastic tub.

Description: 10-24 x 3/4" Phillips pan head self-tapping machine screw; used to attach screen clips onto steel window frames.



L-5623 (523)

L-5624 (524)

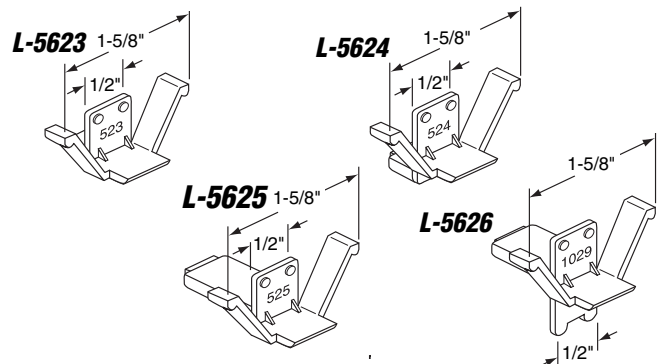
L-5625 (525)

L-5626 (1029)

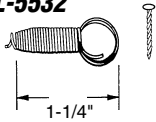
Retainer Clips

Contents: 4 clips.

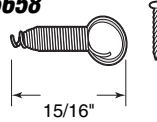
Description: Clear plastic clips; used exclusively in Western Canada to hold window screens to sliding window frames; use number molded into plastic part for exact replacement.



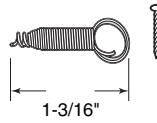
L-5532



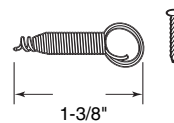
L-5658



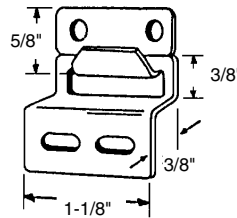
L-5659



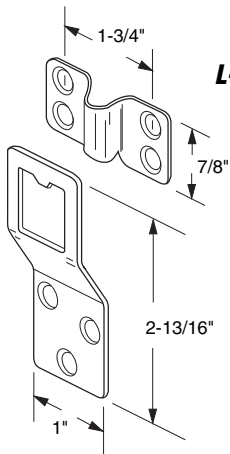
L-5660



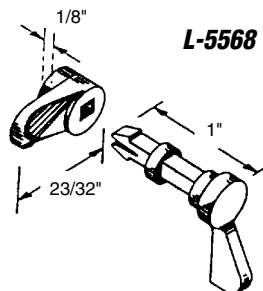
L-5534



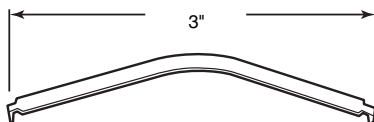
L-5661



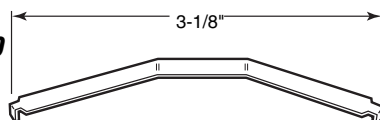
L-5568



L-5527



L-5629



L-5532 (Plated steel)

L-5658 (Stainless steel)

L-5659 (Stainless steel)

L-5660 (Stainless steel)

Spring Latches

Contents: 6 springs; 6 nails.

Description: Spring steel latches are used to hold bottom of window screen to wood framed window sill. Aluminum nail is driven part-way into sill and spring loop is pulled over nail.

L-5534

Top Hangers

Contents: 4 hooks; 4 keepers; 4 sets of installation screws.

Description: Stamped aluminum hardware; used on wood framed windows; top mounted; hooks mount to window frame and keepers mount to screen frame.

L-5661

Top Hangers

Contents: 2 hooks; 2 keepers; 2 sets of installation screws.

Description: Plated steel hardware; used on wood framed windows; top mounted; hooks mount to window frame and keepers mount to screen frame.

L-5568

Retainer Clip Assemblies

Contents: 6 clips; 6 lock pins.

Description: Plastic assembly fits on Arcadia 770 and 780 Series windows; holds screen frame to window frame.

L-5527 (Round top)

L-5629 (Flat top)

Tension Springs

Contents: 6 springs.

Description: Heat-treated steel tension springs hold window screens into sliding aluminum window screen channels. Requires two (2) 3/16" holes drilled 3-3/16" apart.

Window Screen Hardware

L-5577 (1/4" wide)
L-5605 (3/16" wide)

Tension Springs

Contents: 6 springs.

Description: Heat-treated steel tension springs hold window screens into sliding aluminum window screen channels. Slips into corner of 3/8" or 7/16" frame. No tools required.

L-5528
L-5620 (Heavy Duty)

Tension Springs

Contents: 12 springs.

Description: Plated steel spring wire; designed to hold window screens into sliding aluminum window screen channels.

L-5535

Hook & Eye

Contents: 2 hooks; 2 eyes.

Description: Plated steel hook and eye; used as a bottom latch on traditional wood frame window screens.

L-5604

Clips

Contents: 4 clips.

Description: Stamped aluminum clips used for mounting window screens and storm panels to window frames.

L-5628

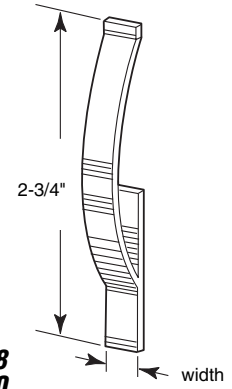
Step Drill

Contents: 1 drill.

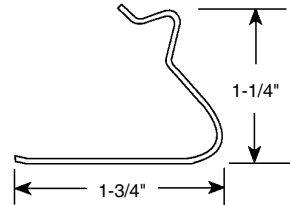
Description: Specially designed step drill is used to install a variety of plunger latches (see page L-8).

You may also wish to stock these related parts: L-5539, L-5540, L-5541, L-5542, L-5555, L-5627.

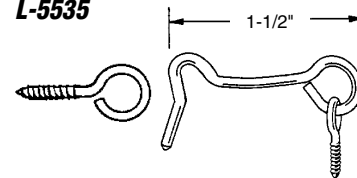
L-5577
L-5605



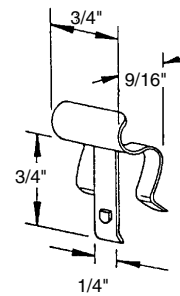
L-5528
L-5620



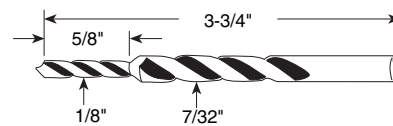
L-5535



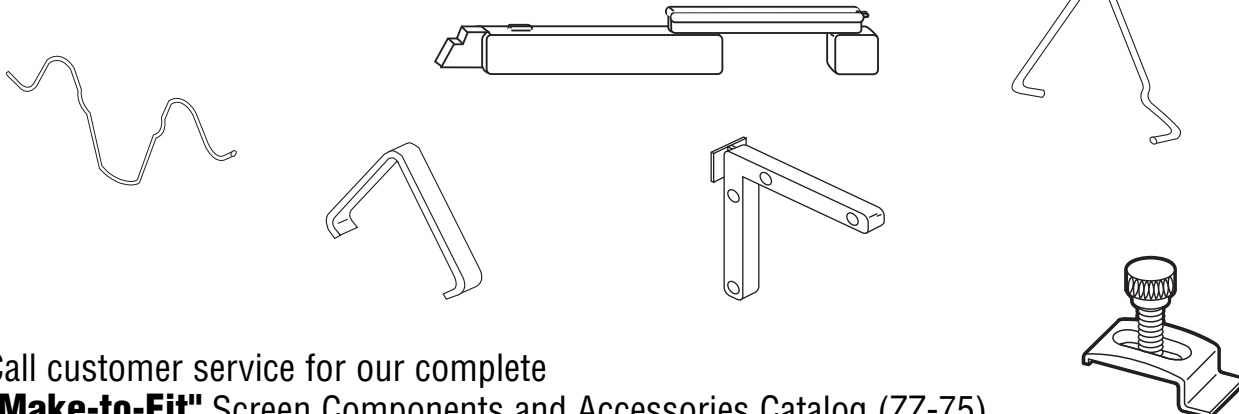
L-5604



L-5628



Also Available:



Call customer service for our complete
"Make-to-Fit" Screen Components and Accessories Catalog (ZZ-75).

Part No.	Page No.	Description	Package Quantity	Standard Pack
CCBP-7503.....	PL-4	Rolling Tool	1	40
CCBP-7505.....	PL-4	Rolling Tool	1	50
P-7501	PL-4	Rolling Tool	1	10
P-7503	PL-4	Rolling Tool	1	10
P-7505	PL-4	Rolling Tool	1	10
P-7506	PL-4	Rolling Tool	1	10
P-7508	PL-4	Rolling Tool	1	10
P-7510 (36" x 84").....	PL-5	Fiberglass Screen.....	1	10
P-7511 (36" x 84").....	PL-5	Fiberglass Screen Kit	1	10
P-7515 (36" x 84").....	PL-5	Fiberglass Screen Kit	1	10
P-7516 (Black)	PL-6	120 Screen Retainer Spline	1	10
P-7517 (Black)	PL-6	130 Screen Retainer Spline	1	10
P-7518 (Black)	PL-6	135 Screen Retainer Spline	1	10
P-7519 (Black)	PL-6	140 Screen Retainer Spline	1	10
P-7520 (Black)	PL-6	155 Screen Retainer Spline	1	10
P-7521 (Black)	PL-6	165 Screen Retainer Spline	1	10
P-7522 (Black)	PL-6	170 Screen Retainer Spline	1	10
P-7523 (Black)	PL-6	175 Screen Retainer Spline	1	10
P-7524 (Black)	PL-6	180 Screen Retainer Spline	1	10
P-7525 (Black)	PL-6	190 Screen Retainer Spline	1	10
P-7526 (Black)	PL-6	200 Screen Retainer Spline	1	10
P-7527 (Black)	PL-6	210 Screen Retainer Spline	1	10
P-7528 (Black)	PL-6	220 Screen Retainer Spline	1	10
P-7529 (Black)	PL-6	230 Screen Retainer Spline	1	10
P-7530 (Black)	PL-6	250 Screen Retainer Spline	1	10
P-7531 (Black)	PL-6	260 Screen Retainer Spline	1	10
P-7532 (Black)	PL-6	270 Screen Retainer Spline	1	10
P-7533 (Black)	PL-6	150 Screen Retainer Spline	1	10
P-7540	PL-5	(48" X 84") Fiberglass Screen.....	1	10
P-7541	PL-5	(48" X 84") Fiberglass Screen Kit	1	10
P-7542	PL-5	(48" X 84") Fiberglass Screen Kit	1	10
P-7548 (Aluminum finish).....	PL-5	Screen Repair Patches (3" x 3")	5	25
P-7549 (Charcoal finish).....	PL-5	Screen Repair Patches (3" x 3")	5	10
P-7616	PL-6	Glazing Channel (1/4" x 1/4" x 20')	1	10
P-7617	PL-6	Glazing Channel (17/64" x 1/4" x 20')	1	10
P-7618	PL-6	Glazing Channel (1/4" x 1/4" x 20')	1	10
P-7619	PL-6	Glazing Channel (17/64" x 1/4" x 20')	1	10
P-7627	PL-7	Louver Strip	1	10
P-7630 (Gray)	PL-6	120 Screen Retainer Spline	1	10
P-7631 (Gray)	PL-6	130 Screen Retainer Spline	1	10
P-7632 (Gray)	PL-6	135 Screen Retainer Spline	1	10
P-7633 (Gray)	PL-6	140 Screen Retainer Spline	1	10
P-7634 (Gray)	PL-6	150 Screen Retainer Spline	1	10
P-7635 (Gray)	PL-6	155 Screen Retainer Spline	1	10
P-7636 (Gray)	PL-6	165 Screen Retainer Spline	1	10
P-7637 (Gray)	PL-6	170 Screen Retainer Spline	1	10
P-7638 (Gray)	PL-6	175 Screen Retainer Spline	1	10
P-7639 (Gray)	PL-6	180 Screen Retainer Spline	1	10
P-7640 (Gray)	PL-6	190 Screen Retainer Spline	1	10
P-7641 (Gray)	PL-6	200 Screen Retainer Spline	1	10
P-7642 (Gray)	PL-6	210 Screen Retainer Spline	1	10
P-7643 (Gray)	PL-6	220 Screen Retainer Spline	1	10
P-7644 (Gray)	PL-6	230 Screen Retainer Spline	1	10
P-7645 (Gray)	PL-6	250 Screen Retainer Spline	1	10
P-7646 (Gray)	PL-6	260 Screen Retainer Spline	1	10

INDEX - Make-To-Fit

Part No.	Page No.	Description	Package Quantity	Standard Pack
P-7647 (Gray)	PL-6	.270 Screen Retainer Spline	1	10
P-7921	PL-17	Nail Set	1	6
P-7940 (Black)	PL-6	.185 Screen Retainer Spline	1	10
P-7941 (Gray)	PL-6	.185 Screen Retainer Spline	1	10
P-7950 (Black)	PL-6	.195 Screen Retainer Spline	1	10
P-7951 (Gray)	PL-6	.195 Screen Retainer Spline	1	10
P-7960 (Black)	PL-6	.215 Screen Retainer Spline	1	10
P-7961 (Gray)	PL-6	.215 Screen Retainer Spline	1	10
P-7970 (Black)	PL-6	.225 Screen Retainer Spline	1	10
P-7971 (Gray)	PL-6	.225 Screen Retainer Spline	1	10
P-7980 (Black)	PL-6	.235 Screen Retainer Spline	1	10
P-7981 (Gray)	PL-6	.235 Screen Retainer Spline	1	10
P-8093 (Aluminum finish)	PL-5	Screen Repair Patches (1-1/2" x 1-3/4")	7	25
P-8095 (Gray fiberglass)	PL-5	Screen Repair Patches (3" x 3")	5	10
P-8096 (Charcoal fiberglass)	PL-5	Screen Repair Patches (3" x 3")	5	10
P-8098 (Aluminum finish)	PL-5	Screen Repair Patches (3" x 3")	5	10
PL-7718 (Gray)	PL-3	1/4" x 3/4" Screen Frame Corners (Plastic)	4	6
PL-7719 (Bronze)	PL-3	1/4" x 3/4" Screen Frame Corners (Plastic)	4	6
PL-7720 (White)	PL-3	1/4" x 3/4" Screen Frame Corners (Plastic)	4	6
PL-7721 (Gray)	PL-3	3/8" x 3/4" Screen Frame Corners (Plastic)	4	6
PL-7722 (Bronze)	PL-3	3/8" x 3/4" Screen Frame Corners (Plastic)	4	6
PL-7723 (White)	PL-3	3/8" x 3/4" Screen Frame Corners (Plastic)	4	6
PL-7724 (Gray)	PL-3	7/16" x 3/4" Screen Frame Corners (Plastic)	4	6
PL-7725 (Bronze)	PL-3	7/16" x 3/4" Screen Frame Corners (Plastic)	4	6
PL-7726 (White)	PL-3	7/16" x 3/4" Screen Frame Corners (Plastic)	4	6
PL-7727 (Gray)	PL-3	5/16" x 3/4" Screen Frame Corners (Plastic)	4	6
PL-7728 (Bronze)	PL-3	5/16" x 3/4" Screen Frame Corners (Plastic)	4	6
PL-7729 (White)	PL-3	5/16" x 3/4" Screen Frame Corners (Plastic)	4	6
PL-7730 (Mill finish)	PL-7	Flush Screen Clips (Diecast)	12	6
PL-7731 (Mill finish)	PL-7	1/16" Screen Clips (Diecast)	12	6
PL-7732 (Mill finish)	PL-7	1/8" Screen Clips (Diecast)	12	6
PL-7733 (Mill finish)	PL-7	3/16" Screen Clips (Diecast)	12	6
PL-7734 (Mill finish)	PL-7	1/4" Screen Clips (Diecast)	12	6
PL-7735 (Mill finish)	PL-7	5/16" Screen Clips (Diecast)	12	6
PL-7736 (Mill finish)	PL-7	3/8" Screen Clips (Diecast)	12	6
PL-7737 (Mill finish)	PL-7	7/16" Screen Clips (Diecast)	12	6
PL-7738 (White)	PL-7	Flush Screen Clips (Plastic)	12	6
PL-7739 (Gray)	PL-7	1/16" Screen Clips (Plastic)	12	6
PL-7740 (Gray)	PL-7	3/16" Screen Clips (Plastic)	12	6
PL-7741 (Gray)	PL-7	5/16" Screen Clips (Plastic)	12	6
PL-7742 (Gray)	PL-7	3/8" Screen Clips (Plastic)	12	6
PL-7743 (Gray)	PL-7	7/16" Screen Clips (Plastic)	12	6
PL-7744 (5/16")	PL-10	Casement Clips (Aluminum)	12	6
PL-7745 (3/8")	PL-10	Casement Clips (Aluminum)	12	6
PL-7746 (7/16")	PL-10	Casement Clips (Aluminum)	12	6
PL-7747 (7/8")	PL-10	Casement Clips (Aluminum)	12	6
PL-7748 (1-3/16")	PL-10	Casement Clips (Aluminum)	12	6
PL-7749 (White)	PL-8	Flush Clips (Plastic)	12	6
PL-7750	PL-10	3/8" Retainer Clips (Spring steel)	6	6
PL-7751	PL-10	7/16" Retainer Clips (Spring steel)	6	6
PL-7752	PL-10	7/16" Retainer Clips (Vinyl)	6	6
PL-7753	PL-11	3/8" Lift & Retainer Clips (Vinyl)	6	6
PL-7754 (Black)	PL-11	Lift Tabs (Vinyl)	6	6
PL-7755	PL-11	Lift Tabs (Metal)	6	6
PL-7756 (White)	PL-11	Lift Tabs (Plastic)	6	6

Part No.	Page No.	Description	Package Quantity	Standard Pack
PL-7758	PL-13	Tension Springs	6	6
PL-7759	PL-13	Tension Springs	12	6
PL-7760 (Mill finish)	PL-12	Hanger and Latches	2 sets	6
PL-7761 (Mill finish)	PL-12	Top Hangers	6	6
PL-7762 (Mill finish)	PL-12	Bottom Latches	4	6
PL-7765	PL-11	Retainer Clips (Vinyl)	4 sets	6
PL-7766 (For 3/4" frame)	PL-12	Lock Pins	6	6
PL-7768 (Mill finish)	PL-12	Bottom Latches	4	6
PL-7770 (Black)	PL-7	5/16" Screen Clips (Plastic)	12	6
PL-7771 (Black)	PL-7	3/8" Screen Clips (Plastic)	12	6
PL-7772 (Black)	PL-7	7/16" Screen Clips (Plastic)	12	6
PL-7773 (White)	PL-7	5/16" Screen Clips (Plastic)	12	6
PL-7774 (White)	PL-7	3/8" Screen Clips (Plastic)	12	6
PL-7775 (White)	PL-7	7/16" Screen Clips (Plastic)	12	6
PL-7776	PL-13	Tension Springs	6	6
PL-7777 (Nylon/Nylon)	PL-9	3/8" or 7/16" x 3/4" Plunger Latches	6	6
PL-7788 (Black)	PL-7	1/4" Screen Clips (Plastic)	12	6
PL-7790 (White)	PL-7	1/4" Screen Clips (Plastic)	12	6
PL-7800 (Mill - 7/16" X 3/4")	PL-2	Aluminum Screen Frame Kits - 3'	1 kit	10
PL-7801 (Mill - 7/16" X 3/4")	PL-2	Aluminum Screen Frame Kits - 4'	1 kit	10
PL-7802 (Mill - 7/16" X 3/4")	PL-2	Aluminum Screen Frame Kits - 5'	1 kit	10
PL-7803 (Mill - 5/16" X 3/4")	PL-2	Aluminum Screen Frame Kits - 3'	1 kit	10
PL-7804 (Mill - 5/16" X 3/4")	PL-2	Aluminum Screen Frame Kits - 4'	1 kit	10
PL-7805 (Mill - 5/16" X 3/4")	PL-2	Aluminum Screen Frame Kits - 5'	1 kit	10
PL-7806 (Bronze - 5/16" X 3/4")	PL-2	Aluminum Screen Frame Kits - 3'	1 kit	10
PL-7807 (Bronze - 5/16" X 3/4")	PL-2	Aluminum Screen Frame Kits - 4'	1 kit	10
PL-7808 (Bronze - 5/16" X 3/4")	PL-2	Aluminum Screen Frame Kits - 5'	1 kit	10
PL-7809 (Bronze - 7/16" X 3/4")	PL-2	Aluminum Screen Frame Kits - 3'	1 kit	10
PL-7810 (Bronze - 7/16" X 3/4")	PL-2	Aluminum Screen Frame Kits - 4'	1 kit	10
PL-7811 (Bronze - 7/16" X 3/4")	PL-2	Aluminum Screen Frame Kits - 5'	1 kit	10
PL-7812 (White - 5/16" X 3/4")	PL-2	Aluminum Screen Frame Kits - 3'	1 kit	10
PL-7813 (White - 5/16" X 3/4")	PL-2	Aluminum Screen Frame Kits - 4'	1 kit	10
PL-7814 (White - 5/16" X 3/4")	PL-2	Aluminum Screen Frame Kits - 5'	1 kit	10
PL-7815 (Mill - 3/8" X 3/4")	PL-2	Aluminum Screen Frame Kits - 3'	1 kit	10
PL-7816 (Mill - 3/8" X 3/4")	PL-2	Aluminum Screen Frame Kits - 4'	1 kit	10
PL-7817 (Mill - 3/8" X 3/4")	PL-2	Aluminum Screen Frame Kits - 5'	1 kit	10
PL-7818 (Bronze - 3/8" X 3/4")	PL-2	Aluminum Screen Frame Kits - 3'	1 kit	10
PL-7819 (Bronze - 3/8" X 3/4")	PL-2	Aluminum Screen Frame Kits - 4'	1 kit	10
PL-7820 (Bronze - 3/8" X 3/4")	PL-2	Aluminum Screen Frame Kits - 5'	1 kit	10
PL-7821 (White - 3/8" X 3/4")	PL-2	Aluminum Screen Frame Kits - 3'	1 kit	10
PL-7822 (White - 3/8" X 3/4")	PL-2	Aluminum Screen Frame Kits - 4'	1 kit	10
PL-7823 (White - 3/8" X 3/4")	PL-2	Aluminum Screen Frame Kits - 5'	1 kit	10
PL-7836 (White - 7/16" X 3/4")	PL-2	Aluminum Screen Frame Kits - 3'	1 kit	10
PL-7837 (White - 7/16" X 3/4")	PL-2	Aluminum Screen Frame Kits - 4'	1 kit	10
PL-7838 (White - 7/16" X 3/4")	PL-2	Aluminum Screen Frame Kits - 5'	1 kit	10
PL-7839 (Gray - 7/16" X 3/4")	PL-2	Aluminum Screen Frame Kits - 3'	1 kit	10
PL-7840 (Gray - 7/16" X 3/4")	PL-2	Aluminum Screen Frame Kits - 4'	1 kit	10
PL-7841 (Gray - 7/16" X 3/4")	PL-2	Aluminum Screen Frame Kits - 5'	1 kit	10
PL-7842 (Black finish)	PL-7	5/16" Screen Clips (Diecast)	12	6
PL-7843 (Black finish)	PL-7	3/8" Screen Clips (Diecast)	12	6
PL-7844 (Black finish)	PL-7	7/16" Screen Clips (Diecast)	12	6
PL-7845 (White finish)	PL-12	Top Hangers	6	6
PL-7846 (Bronze finish)	PL-12	Hanger and Latches	2 sets	6
PL-7847 (White finish)	PL-12	Hanger and Latches	2 sets	6
PL-7849 (Gray finish)	PL-12	Hanger and Latches	2 sets	6

INDEX - Make-To-Fit

Part No.	Page No.	Description	Package Quantity	Standard Pack
PL-7856 (Gray - 5/16" X 3/4")	PL-2	Aluminum Screen Frame Kits - 3'	1 kit	10
PL-7857 (Gray - 5/16" X 3/4")	PL-2	Aluminum Screen Frame Kits - 4'	1 kit	10
PL-7858 (Gray - 5/16" X 3/4")	PL-2	Aluminum Screen Frame Kits - 5'	1 kit	10
PL-7871 (Almond)	PL-3	5/16" x 3/4" Screen Frame Corners (Plastic)	4	6
PL-7873 (Almond)	PL-3	3/8" x 3/4" Screen Frame Corners (Plastic)	4	6
PL-7877 (Black finish)	PL-7	Flush Screen Clips (Diecast)	12	6
PL-7878 (White finish)	PL-7	Flush Screen Clips (Diecast)	12	6
PL-7879 (Bronze finish)	PL-7	Flush Screen Clips (Diecast)	12	6
PL-7880 (Black finish)	PL-7	1/16" Screen Clips (Diecast)	12	6
PL-7881 (White finish)	PL-7	1/16" Screen Clips (Diecast)	12	6
PL-7882 (Bronze finish)	PL-7	1/16" Screen Clips (Diecast)	12	6
PL-7883 (Black finish)	PL-7	1/8" Screen Clips (Diecast)	12	6
PL-7884 (White finish)	PL-7	1/8" Screen Clips (Diecast)	12	6
PL-7885 (Bronze finish)	PL-7	1/8" Screen Clips (Diecast)	12	6
PL-7886 (Black finish)	PL-7	3/16" Screen Clips (Diecast)	12	6
PL-7887 (White finish)	PL-7	3/16" Screen Clips (Diecast)	12	6
PL-7888 (Bronze finish)	PL-7	3/16" Screen Clips (Diecast)	12	6
PL-7889 (Black finish)	PL-7	1/4" Screen Clips (Diecast)	12	6
PL-7890 (White finish)	PL-7	1/4" Screen Clips (Diecast)	12	6
PL-7891 (Bronze finish)	PL-7	1/4" Screen Clips (Diecast)	12	6
PL-7893 (White finish)	PL-7	5/16" Screen Clips (Diecast)	12	6
PL-7894 (Bronze finish)	PL-7	5/16" Screen Clips (Diecast)	12	6
PL-7896 (White finish)	PL-7	3/8" Screen Clips (Diecast)	12	6
PL-7897 (Bronze finish)	PL-7	3/8" Screen Clips (Diecast)	12	6
PL-7899 (White finish)	PL-7	7/16" Screen Clips (Diecast)	12	6
PL-7900 (Bronze finish)	PL-7	7/16" Screen Clips (Diecast)	12	6
PL-7901 (Mill finish)	PL-7	1-3/16" Screen Clips (Diecast)	12	6
PL-7902 (Black finish)	PL-7	1-3/16" Screen Clips (Diecast)	12	6
PL-7903 (White finish)	PL-7	1-3/16" Screen Clips (Diecast)	12	6
PL-7904 (Bronze finish)	PL-7	1-3/16" Screen Clips (Diecast)	12	6
PL-7905 (Gray)	PL-7	Flush Screen Clips (Plastic)	12	6
PL-7906 (Black)	PL-7	Flush Screen Clips (Plastic)	12	6
PL-7907 (Bronze)	PL-7	Flush Screen Clips (Plastic)	12	6
PL-7908 (Black)	PL-7	1/16" Screen Clips (Plastic)	12	6
PL-7909 (White)	PL-7	1/16" Screen Clips (Plastic)	12	6
PL-7910 (Bronze)	PL-7	1/16" Screen Clips (Plastic)	12	6
PL-7911 (Black)	PL-7	3/16" Screen Clips (Plastic)	12	6
PL-7912 (White)	PL-7	3/16" Screen Clips (Plastic)	12	6
PL-7913 (Bronze)	PL-7	3/16" Screen Clips (Plastic)	12	6
PL-7914 (Gray)	PL-7	1/4" Screen Clips (Plastic)	12	6
PL-7915 (Bronze)	PL-7	1/4" Screen Clips (Plastic)	12	6
PL-7916 (Bronze)	PL-7	5/16" Screen Clips (Plastic)	12	6
PL-7917 (Bronze)	PL-7	3/8" Screen Clips (Plastic)	12	6
PL-7918 (Bronze)	PL-7	7/16" Screen Clips (Plastic)	12	6
PL-7919 (White)	PL-8	Flush Clips (Nylon)	8	6
PL-7920 (White)	PL-8	Turn Buttons (Nylon)	12	6
PL-7921 (Black)	PL-11	Lift Tabs (Plastic)	6	6
PL-7922	PL-13	Tension Springs	6	6
PL-7924 (Nylon/Nylon)	PL-9	1/4" or 5/16" x 3/4" Plunger Latches	6	6
PL-7925 (Diecast/Nylon)	PL-9	3/8" or 7/16" x 3/4" Plunger Latches	6	6
PL-7926 (Diecast/Nylon)	PL-9	7/16" x 1" Plunger Latches	6	6
PL-7927 (For 1" frame)	PL-12	Lock Pins	6	6
PL-7939 (Mill finish)	PL-14	Storm Panel Clips (Extruded Aluminum)	8	6
PL-7940 (White finish)	PL-14	Storm Panel Clips (Extruded Aluminum)	8	6
PL-7941 (Mill finish)	PL-14	Storm Panel Clips (Extruded Aluminum)	8	6

Part No.	Page No.	Description	Package Quantity	Standard Pack
PL-7942 (White finish)	PL-14	Storm Panel Clips (Extruded Aluminum)	8	6
PL-7943 (Mill finish)	PL-15	Storm Panel Thumbscrews	8	6
PL-7944 (Nylon)	PL-15	Storm Panel Thumbscrews	8	6
PL-7945 (Mill finish)	PL-15	Storm Panel Thumbscrews	8	6
PL-7946 (White finish)	PL-15	Storm Panel Thumbscrews	8	6
PL-7947 (Mill finish)	PL-14	Storm Panel Clips (Extruded Aluminum)	8	6
PL-7948 (White finish)	PL-14	Storm Panel Clips (Extruded Aluminum)	8	6
PL-7949 (Mill finish)	PL-14	Storm Panel Clips (Extruded Aluminum)	8	6
PL-7950 (White finish)	PL-14	Storm Panel Clips (Extruded Aluminum)	8	6
PL-7951 (Mill finish)	PL-14	Storm Panel Clips (Extruded Aluminum)	8	6
PL-7952 (White finish)	PL-14	Storm Panel Clips (Extruded Aluminum)	8	6
PL-7953 (Mill finish)	PL-14	Storm Panel Clips (Extruded Aluminum)	8	6
PL-7954 (White finish)	PL-14	Storm Panel Clips (Extruded Aluminum)	8	6
PL-7955 (Mill finish)	PL-14	Storm Panel Clips (Extruded Aluminum)	8	6
PL-7956 (White finish)	PL-14	Storm Panel Clips (Extruded Aluminum)	8	6
PL-7957 (Mill finish)	PL-14	Storm Panel Clips (Extruded Aluminum)	8	6
PL-7958 (White finish)	PL-14	Storm Panel Clips (Extruded Aluminum)	8	6
PL-7959 (Mill finish)	PL-14	Storm Panel Clips (Extruded Aluminum)	8	6
PL-7960 (White finish)	PL-14	Storm Panel Clips (Extruded Aluminum)	8	6
PL-7961 (Mill finish)	PL-14	Storm Panel Clips (Extruded Aluminum)	8	6
PL-7962 (Mill finish)	PL-14	Storm Panel Clips (Extruded Aluminum)	8	6
PL-7963 (Mill finish)	PL-14	Storm Panel Clips (Extruded Aluminum)	8	6
PL-7964 (Nylon)	PL-15	Storm Panel Clips	8	6
PL-7965	PL-15	Storm Panel Clips	8	6
PL-7966	PL-15	Storm Panel Turn Buttons	8	6
PL-7967	PL-8	Flush Clips	6	6
PL-7968	PL-14	Storm Panel Clips	4	6
PL-7970	PL-9	Stretcher Clips	12	6
PL-7971	PL-9	Stretcher Clips	12	6
PL-7972	PL-9	Stretcher Clips	12	6
PL-7976	PL-16	3/8" Window Grid Retainers	6	6
PL-7977	PL-16	5/8" Window Grid Retainers	6	6
PL-7978	PL-16	5/8" Window Grid Retainers	6	6
PL-7979	PL-16	1/2" Window Grid Retainers	6	6
PL-7980	PL-16	7/8" Window Grid Retainers	6	6
PL-7981	PL-16	7/8" Window Grid Retainers	6	6
PL-7982	PL-16	1" Window Grid Retainers	6	6
PL-7983	PL-16	Window Grid Retainers	6	6
PL-7984	PL-16	Window Grid Retainer	6	6
PL-7985 (Aluminum/Aluminum)	PL-9	3/8" or 7/16" x 3/4" Plunger Latches	6	6
PL-7986 (Aluminum/Aluminum)	PL-9	7/16" x 1" Plunger Latches	6	6
PL-7987 (For 3/4" frame)	PL-12	Slide Locks	6	6
PL-7988	PL-16	Window Grid Retainers	6	6
PL-7989	PL-16	Window Grid Retainers	6	6
PL-8006	PL-13	Top Hangers	4	6
PL-8007	PL-13	Top Hangers	2	6
PL-8009	PL-8	Wing Clips	12	6
PL-8028	PL-9	Stretcher Clips	12	6
PL-8029	PL-9	Stretcher Clips	12	6
PL-8030	PL-9	Stretcher Clips	12	6
PL-8031	PL-9	Stretcher Clips	12	6
PL-8035 (Black)	PL-11	Lift Tabs (Plastic)	6	6
PL-8036 (Mill - 1/4" X 3/4")	PL-2	Aluminum Screen Frame Kits - 3'	1 kit	10
PL-8037 (Mill - 1/4" X 3/4")	PL-2	Aluminum Screen Frame Kits - 4'	1 kit	10
PL-8038 (Mill - 1/4" X 3/4")	PL-2	Aluminum Screen Frame Kits - 5'	1 kit	10

INDEX - Make-To-Fit

Part No.	Page No.	Description	Package Quantity	Standard Pack
PL-8039 (Bronze - 1/4" X 3/4")	PL-2	Aluminum Screen Frame Kits - 3'	1 kit	10
PL-8040 (Bronze - 1/4" X 3/4")	PL-2	Aluminum Screen Frame Kits - 4'	1 kit	10
PL-8041 (Bronze - 1/4" X 3/4")	PL-2	Aluminum Screen Frame Kits - 5'	1 kit	10
PL-8042 (White - 1/4" X 3/4")	PL-2	Aluminum Screen Frame Kits - 3'	1 kit	10
PL-8043 (White - 1/4" X 3/4")	PL-2	Aluminum Screen Frame Kits - 4'	1 kit	10
PL-8044 (White - 1/4" X 3/4")	PL-2	Aluminum Screen Frame Kits - 5'	1 kit	10
PL-14698 (Gray)	PL-17	Plastic Wickets	1	10
PL-14699 (Bronze)	PL-17	Plastic Wickets	1	10
PL-14700 (White)	PL-17	Plastic Wickets	1	10
PL-15515 (Gray)	PL-17	Plastic Screen/Storm Door Grilles - 18'	1	6
PL-15517 (White)	PL-17	Plastic Screen/Storm Door Grilles - 18'	1	6
T-8658 (3/16" wide)	PL-7	Pile Weatherstrip	1	10
T-8659 (1/4" wide)	PL-7	Pile Weatherstrip	1	10

Make • To • Fit

from **PRIME-LINE**[®]

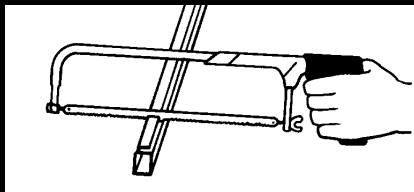


- A unique, stand alone, **Window Screen Hardware & Accessory Line**.
- **Distinctively packaged.**
- Most products in this category are **available in bulk quantities**. Contact our customer service for details.

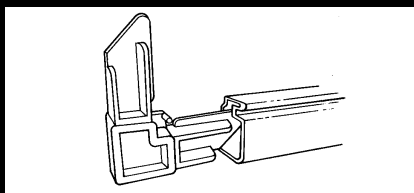
MAKE TO FIT
SQUARE CUT
SCREEN FRAME KIT

AND STORM WINDOW KIT

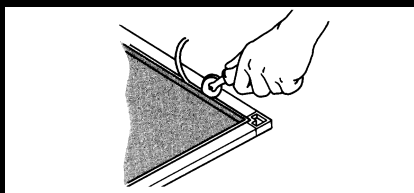
Make a Storm Window With This Frame Kit and Flexible Poly Film



Square Cut Screen Frame To Proper Length with Hacksaw.



Assemble Frame with "Quickie" Corner



Insert Screening or Flexible Poly Film and Retainer Spline.

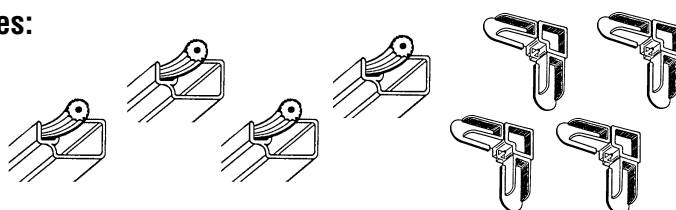
- Easy To Follow Instructions.
- Accepts Aluminum, Fiberglass Mesh Screen or Flexible Poly Film.
- Includes Frame, Spline and Corners.

Aluminum Screen Frame Kits

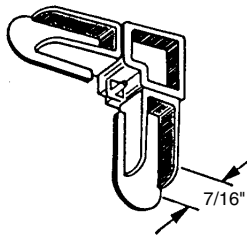
Standard Pack: 10 kits per carton; sold in full quantities.

KIT Part Number	Size	Finish	Length
PL-8036	1/4" X 3/4"	Mill	3'
PL-8037	-	-	4'
PL-8038	-	-	5'
PL-8039	1/4" X 3/4"	Bronze	3'
PL-8040	-	-	4'
PL-8041	-	-	5'
PL-8042	1/4" X 3/4"	White	3'
PL-8043	-	-	4'
PL-8044	-	-	5'
PL-7803	5/16" X 3/4"	Mill	3'
PL-7804	-	-	4'
PL-7805	-	-	5'
PL-7856	5/16" X 3/4"	Gray	3'
PL-7857	-	-	4'
PL-7858	-	-	5'
PL-7806	5/16" X 3/4"	Bronze	3'
PL-7807	-	-	4'
PL-7808	-	-	5'
PL-7812	5/16" X 3/4"	White	3'
PL-7813	-	-	4'
PL-7814	-	-	5'
PL-7815	3/8" X 3/4"	Mill	3'
PL-7816	-	-	4'
PL-7817	-	-	5'
PL-7818	3/8" X 3/4"	Bronze	3'
PL-7819	-	-	4'
PL-7820	-	-	5'
PL-7821	3/8" X 3/4"	White	3'
PL-7822	-	-	4'
PL-7823	-	-	5'
PL-7800	7/16" X 3/4"	Mill	3'
PL-7801	-	-	4'
PL-7802	-	-	5'
PL-7839	7/16" X 3/4"	Gray	3'
PL-7840	-	-	4'
PL-7841	-	-	5'
PL-7809	7/16" X 3/4"	Bronze	3'
PL-7810	-	-	4'
PL-7811	-	-	5'
PL-7836	7/16" X 3/4"	White	3'
PL-7837	-	-	4'
PL-7838	-	-	5'

Kit Includes:



PL-7724
PL-7725
PL-7726



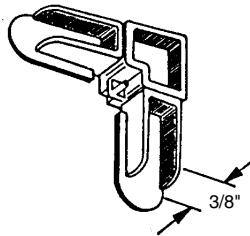
PL-7724 (Gray)
PL-7725 (Bronze)
PL-7726 (White)

7/16" x 3/4" Screen Frame Corners (Plastic)

Contents: 4 corners.

Description: Plastic corners used with appropriate screen frame to form a finished window screen. These corners allow frame to be square cut for easy construction by homeowner.

PL-7721
PL-7722
PL-7723
PL-7873



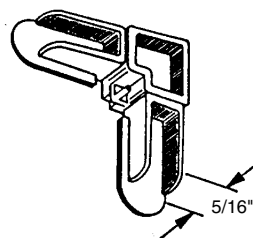
PL-7721 (Gray)
PL-7722 (Bronze)
PL-7723 (White)
PL-7873 (Almond)

3/8" x 3/4" Screen Frame Corners (Plastic)

Contents: 4 corners.

Description: Plastic corners used with appropriate screen frame to form a finished window screen. These corners allow frame to be square cut for easy construction by homeowner.

PL-7727
PL-7728
PL-7729
PL-7871



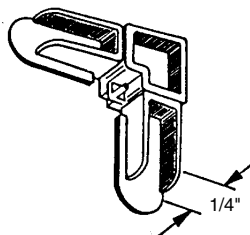
PL-7727 (Gray)
PL-7728 (Bronze)
PL-7729 (White)
PL-7871 (Almond)

5/16" x 3/4" Screen Frame Corners (Plastic)

Contents: 4 corners.

Description: Plastic corners used with appropriate screen frame to form a finished window screen. These corners allow frame to be square cut for easy construction by homeowner.

PL-7718
PL-7719
PL-7720



PL-7718 (Gray)
PL-7719 (Bronze)
PL-7720 (White)

1/4" x 3/4" Screen Frame Corners (Plastic)

Contents: 4 corners.

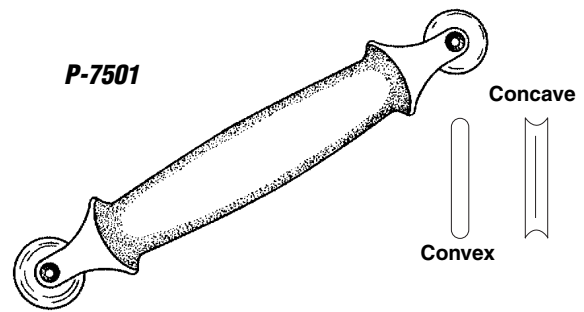
Description: Plastic corners used with appropriate screen frame to form a finished window screen. These corners allow frame to be square cut for easy construction by homeowner.

P-7501

Rolling Tool

Contents: 1 tool.

Description: Combination tool with plastic handle; steel convex and concave rollers; used to install aluminum screen wire and vinyl spline into window screen frame.



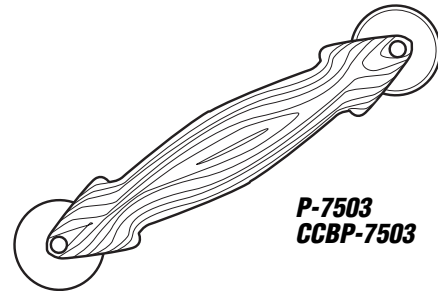
P-7503 (Carded)

CCBP-7503 (Bulk - 40 per box)

Rolling Tool

Contents: 1 tool.

Description: Combination tool with plastic handle; nylon convex and concave rollers; used to install fiberglass screen fabric and vinyl spline into window screen frame.



**P-7503
CCBP-7503**

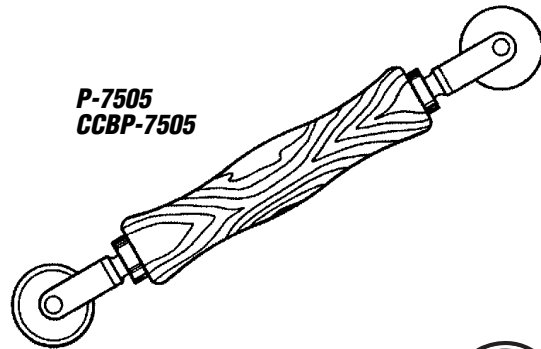
P-7505 (Carded)

CCBP-7505 (Bulk - 50 per box)

Rolling Tool

Contents: 1 tool.

Description: Combination tool with wood handle; steel convex and concave rollers; used to install most screening materials and vinyl spline into window screen frame.



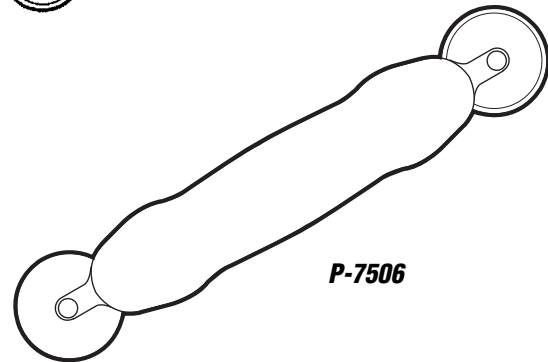
**P-7505
CCBP-7505**

P-7506

Rolling Tool

Contents: 1 tool.

Description: Combination tool with diecast zinc handle; steel convex and concave rollers; used to install most screening materials and vinyl spline into window screen frame.



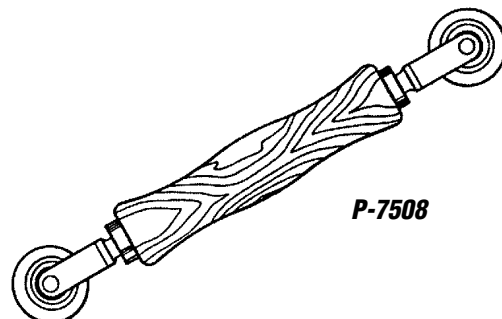
P-7506

P-7508

Rolling Tool

Contents: 1 tool.

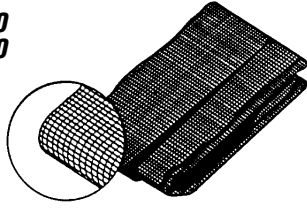
Description: Combination tool with wood handle; steel ball bearing convex and concave rollers; used to install most screening materials and vinyl spline into window screen frame.



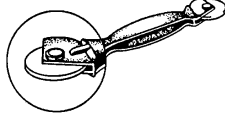
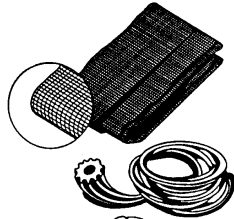
P-7508

Many styles of professional rolling tools are available. Call our customer service specialists or order our "Expert's Back Room" catalog.

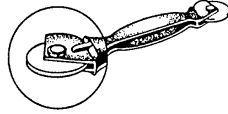
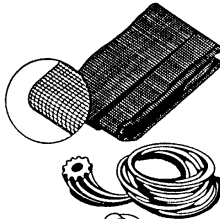
P-7510
P-7540



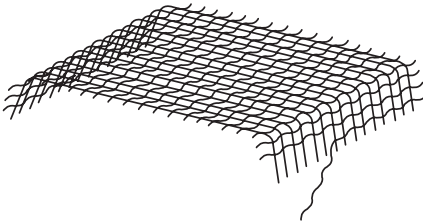
P-7511
P-7541



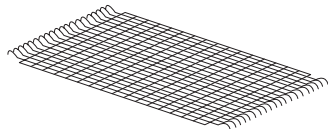
P-7515
P-7542



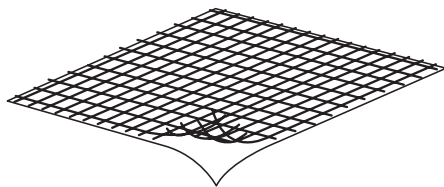
P-7548
P-7549



P-8093



P-8095
P-8096



P-7510 (36" x 84")
P-7540 (48" X 84")

Fiberglass Screen

Contents: 1 piece of screen fabric.

Description: Charcoal fiberglass used for re-screening projects; may be sufficient quantity to re-screen (2) windows or (1) door.

P-7511 (36" x 84")
P-7541 (48" X 84")

Fiberglass Screen Kit (Western U.S.)

Contents: 1 piece of screen fabric; 30' of .180 black vinyl spline; rolling tool.

Description: Charcoal fiberglass and vinyl spline used for re-screening projects; plastic handled combination rolling tool with nylon convex and concave rollers, maybe sufficient quantity to re-screen (2) windows or (1) door.

P-7515 (36" x 84")
P-7542 (48" X 84")

Fiberglass Screen Kit (Eastern U.S.)

Contents: 1 piece of screen fabric; 30' of .155 black vinyl spline; rolling tool.

Description: Charcoal fiberglass and vinyl spline used for re-screening projects; plastic handled combination rolling tool with nylon convex and concave rollers, maybe sufficient quantity to re-screen (2) windows or (1) door.

P-7548 (Aluminum finish - bagged)
P-7549 (Charcoal finish - carded)
P-8098 (Aluminum finish - carded)

Screen Repair Patches (3" x 3")

Contents: 5 aluminum screen patches.

Description: Repair patches cover holes in existing aluminum screened windows or doors; **no tools required.**

P-8093 (Aluminum finish)

Screen Repair Patches (1-1/2" x 1-3/4")

Contents: 7 aluminum screen patches.

Description: Repair patches cover holes in existing aluminum screened windows or doors; **no tools required.**

P-8095 (Gray)
P-8096 (Charcoal)

Screen Repair Patches (3" x 3")

Contents: 5 fiberglass screen patches.

Description: Adhesive backed fiberglass patches used to repair holes and tears in window screens or screen doors; **no tools required.**

Screen Retainer Spline

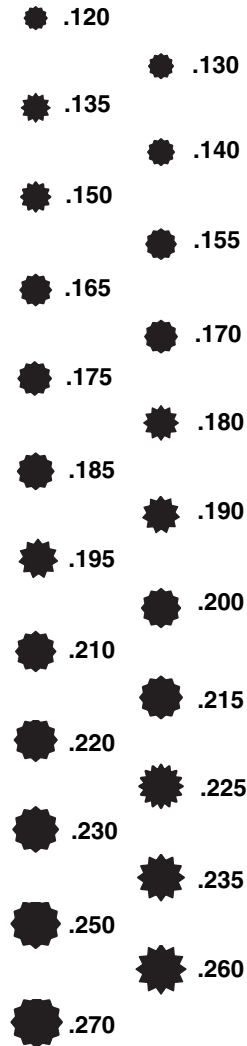
Contents: 25 feet per display bag.

Part Number Black	Part Number Gray	Decimal Size	Fractional Size
P-7516	P-7630	.120	1/8"
P-7517	P-7631	.130	-
P-7518	P-7632	.135	-
P-7519	P-7633	.140	9/64"
P-7533	P-7634	.150	-
P-7520	P-7635	.155	-
P-7521	P-7636	.165	11/64"
P-7522	P-7637	.170	-
P-7523	P-7638	.175	-
P-7524	P-7639	.180	-
P-7940	P-7941	.185	3/16"
P-7525	P-7640	.190	-
P-7950	P-7951	.195	-
P-7526	P-7641	.200	13/64"
P-7527	P-7642	.210	7/32"
P-7960	P-7961	.215	-
P-7528	P-7643	.220	-
P-7970	P-7971	.225	-
P-7529	P-7644	.230	15/64"
P-7980	P-7981	.235	-
P-7530	P-7645	.250	1/4"
P-7531	P-7646	.260	-
P-7532	P-7647	.270	17/64"

Description: Top quality vinyl; round; hollow core and serrated; used to hold screen material to window and screen door frames. Also available in 100 ft, 250 ft, 500 ft, and 15 lbs. bulk reels.



Actual Sizes



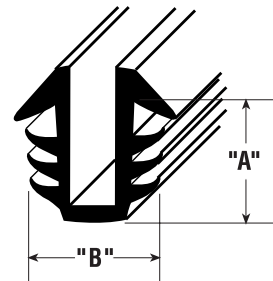
Glazing Channel

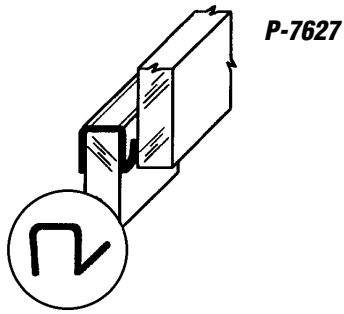
Contents: 20 feet per bag.

	Channel Size		Glass Thickness	Part Number
	"A"	"B"		
	1/4"	1/4"	Single	P-7616
	17/64"	1/4"	Single	P-7617
	1/4"	1/4"	Double	P-7618
	17/64"	1/4"	Double	P-7619

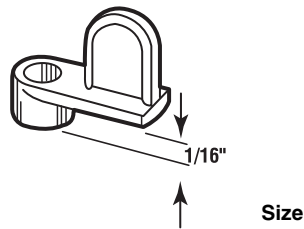
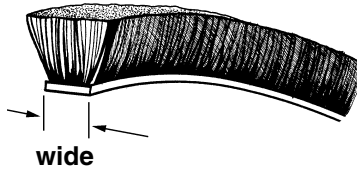
Description: Black vinyl glazing channel; universal size to fit many window frame glass channels. Determine glass channel dimensions and thickness of glass to select proper glazing channel. Also available in many other sizes as well as lengths of 100 ft, 200 ft and bulk reels.

P-7616
P-7617
P-7618
P-7619

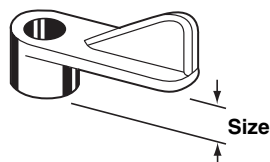
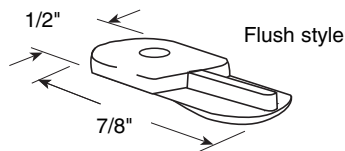




T-8658
T-8659



NOTE: Also available in bulk (1000/ctn.)
Almond & Adobe available in bulk only.



P-7627

Louver Strip

Contents: 20 feet per bag.

Description: Clear vinyl strip; slips over 3/16" louver glass to reduce air and dust infiltration.

T-8658 (3/16" wide)
T-8659 (1/4" wide)

Pile Weatherstrip

Contents: 18 feet per bag.

Description: Brush weatherstrip with stiff backer; used by many window manufacturers to seal out air and dust. **Also available in bulk lengths.**

Screen Clips (Diecast)

Contents: 12 clips with installation screws.

Size	Finish (Part Number)			
	Mill	Black	White	Bronze
Flush *	PL-7730	PL-7877	PL-7878	PL-7879
1/16" *	PL-7731	PL-7880	PL-7881	PL-7882
1/8" *	PL-7732	PL-7883	PL-7884	PL-7885
3/16" *	PL-7733	PL-7886	PL-7887	PL-7888
1/4" *	PL-7734	PL-7889	PL-7890	PL-7891
5/16" **	PL-7735	PL-7842	PL-7893	PL-7894
3/8" **	PL-7736	PL-7843	PL-7896	PL-7897
7/16" **	PL-7737	PL-7844	PL-7899	PL-7900
1-3/16" **	PL-7901	PL-7902	PL-7903	PL-7904

* No. 8 Phillips Pan Head Sheet Metal Screws.

** No. 10-24 Phillips Pan Head Machine Screws.

Description: Painted and plated clips used to attach screen to window opening.

Screen Clips (Plastic)

Contents: 12 clips with installation screws.

Size	Finish (Part Number)			
	Gray	Black	White	Bronze
Flush *	PL-7905	PL-7906	PL-7738	PL-7907
1/16" *	PL-7739	PL-7908	PL-7909	PL-7910
3/16" *	PL-7740	PL-7911	PL-7912	PL-7913
1/4" *	PL-7914	PL-7788	PL-7790	PL-7915
5/16" **	PL-7741	PL-7770	PL-7773	PL-7916
3/8" **	PL-7742	PL-7771	PL-7774	PL-7917
7/16" **	PL-7743	PL-7772	PL-7775	PL-7918

* No. 8 Phillips Pan Head Sheet Metal Screws.

** No. 10-24 Phillips Pan Head Machine Screws.

Description: Plastic screen clips in various colors used to attach screen to window opening.

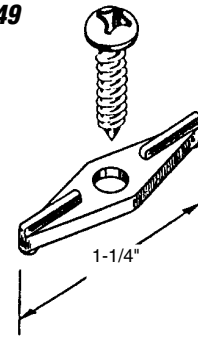
PL-7749 (White)

Flush Clips (Plastic)

Contents: 12 clips with no. 6 x 5/8" Phillips pan head sheet metal screws.

Description: Double wing flush clips used to attach screens and storm windows to window opening.

PL-7749



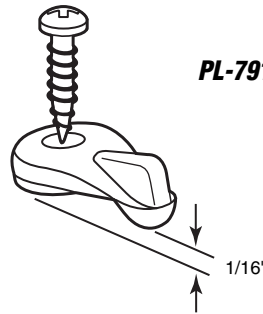
PL-7919 (White)

Flush Clips (Nylon)

Contents: 8 clips with no. 8 x 3/4" Phillips pan head sheet metal screws.

Description: Used to attach screens and storm windows to window opening.

PL-7919



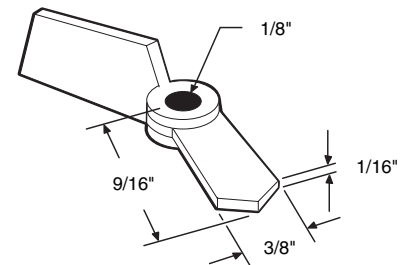
PL-7920 (White)

Turn Buttons (Nylon)

Contents: 12 turn buttons with no. 4 x 3/4" Phillips pan head sheet metal screws.

Description: Turn buttons used to attach screens and storm windows to window opening.

PL-7920



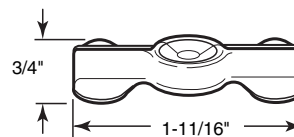
PL-7967

Flush Clips

Contents: 6 clips with no. 8 x 1/2" Phillips pan head sheet metal screws.

Description: Stamped aluminum, double wing clips used to attach screens and storm windows to window opening; also applied to narrow rails to hold adjacent screens in place.

PL-7967



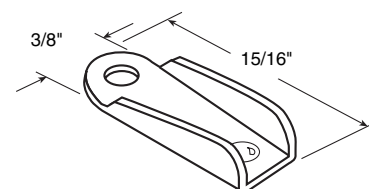
PL-8009

Wing Clips

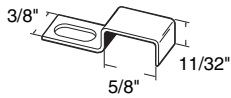
Contents: 12 clips with no. 8 x 3/4" Phillips pan head sheet metal screws.

Description: Stamped aluminum clips used to attach screens and storm windows to window opening.

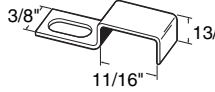
PL-8009



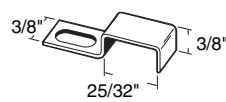
PL-7970



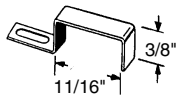
PL-7971



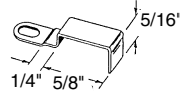
PL-7972



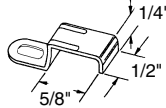
PL-8028



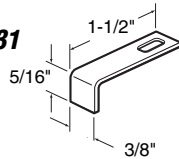
PL-8029



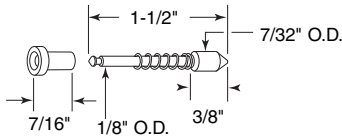
PL-8030



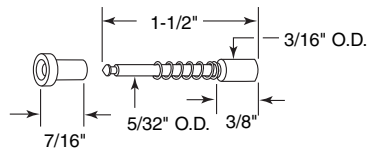
PL-8031



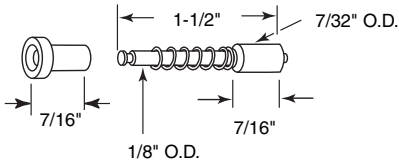
PL-7777



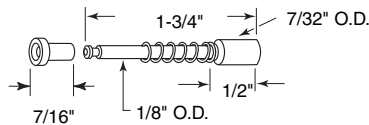
PL-7924



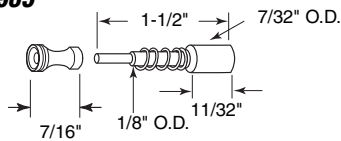
PL-7925



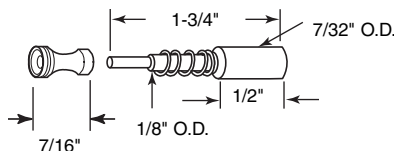
PL-7926



PL-7985



PL-7986



Stretcher Clips

Contents: 12 clips; 12 - #10 x 3/8" Phillips pan head sheet metal screws.

Part #	Frame Application
PL-7970	3/8" x 5/8" flanged frame
PL-7971	5/16" x 3/4" frame
PL-7972	3/8" x 3/4" frame
PL-8028	7/16" x 11/16" frame
PL-8029	For flanged frame
PL-8030	For "Keller" windows - new style
PL-8031	recessed frame

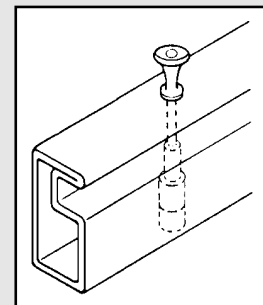
Description: Stamped aluminum clips for attaching window screens to awning and other types of windows.

Plunger Latches

Contents: 6 latch assemblies.

Part #	Plunger	Cap	Screen Frame
PL-7777	Nylon	Nylon	3/8" or 7/16" x 3/4"
PL-7924	Nylon	Nylon	1/4" or 5/16" x 3/4"
PL-7925	Diecast	Nylon	3/8" or 7/16" x 3/4"
PL-7926	Diecast	Nylon	7/16" x 1"
PL-7985	Aluminum	Aluminum	3/8" or 7/16" x 3/4"
PL-7986	Aluminum	Aluminum	7/16" x 1"

Description: Spring loaded plunger latches hold aluminum frame screens into window frames.



Make - To - Fit

PL-7744 (5/16")
PL-7745 (3/8")
PL-7746 (7/16")
PL-7747 (7/8")
PL-7748 (1-3/16")

Casement Clips (Aluminum)

Contents: 12 clips with no. 10-24 phillips pan head machine screws.

Description: Stamped aluminum casement clips used to secure window screens and storm windows to window or storm door openings.

PL-7750

Retainer Clips (Spring steel)

Contents: 6 clips.

Description: Retainer clips hold 3/8" screen frame to aluminum window channel; **bright finish**.

PL-7751

Retainer Clips (Spring steel)

Contents: 6 clips.

Description: Retainer clips hold 7/16" screen frame to aluminum window channel; **bright finish**.

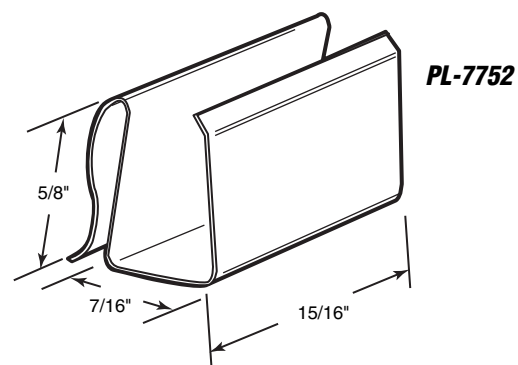
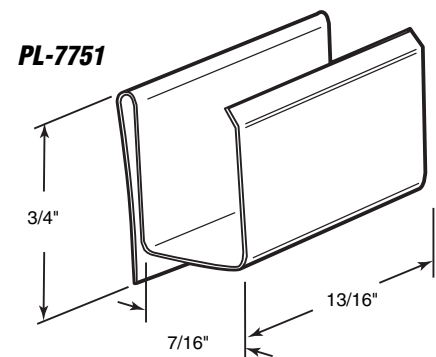
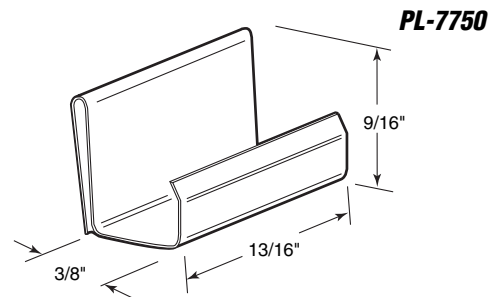
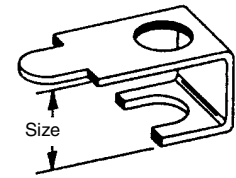
PL-7752

Retainer Clips (Vinyl)

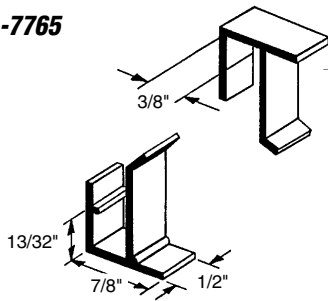
Contents: 6 clips.

Description: Black vinyl clips are used to hold 3/8" and 7/16" screen frame into aluminum window channel.

PL-7744
PL-7745
PL-7746
PL-7747
PL-7748



PL-7765



PL-7765 (4 sets / card)

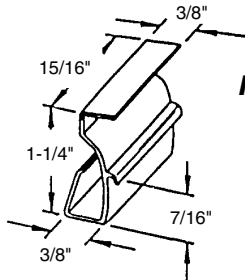
Retainer Clips (Vinyl)

Contents: Sets of top and bottom clips.

Description: Black vinyl clips hold screen frame into sliding window frame channel; used by H&D Industries for 7/16" frame.

Note: very popular in the Northwest.

PL-7753



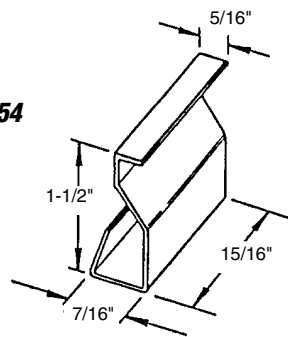
PL-7753

Lift & Retainer Clips (Vinyl)

Contents: 6 clips.

Description: Black vinyl clips used to hold 3/8" screen frame into aluminum window channel; lift tab assists in screen removal.

PL-7754



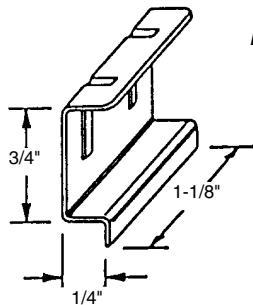
PL-7754

Lift Tabs (Vinyl)

Contents: 6 clips.

Description: Black vinyl lift tab used to aid in removal of 7/16" window screen from window frame.

PL-7755



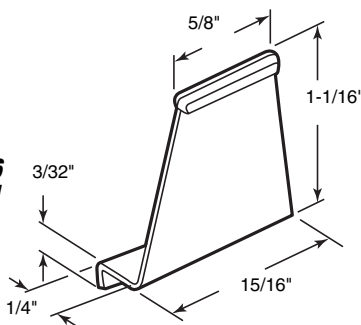
PL-7755

Lift Tabs (Metal)

Contents: 6 clips.

Description: Stamped aluminum lift tab is installed in spline channel to aid in removal of window screen from window frame.

**PL-7756
PL-7921**



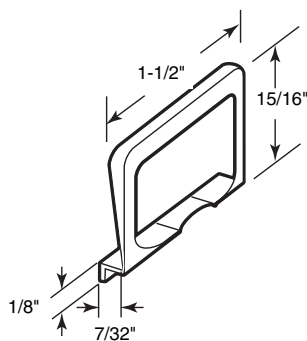
PL-7756 (White)
PL-7921 (Black)

Lift Tabs (Plastic)

Contents: 6 clips.

Description: Plastic lift tab is installed in spline channel to aid in removal of window screen from window frame.

PL-8035



PL-8035 (Black)

Lift Tabs (Plastic)

Contents: 6 clips.

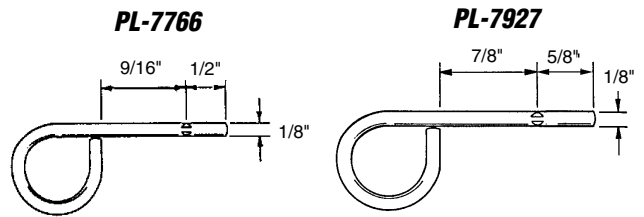
Description: Plastic lift tab may be installed in most sizes of spline channel to aid in removal of window screen from window frame.

PL-7766 (For 3/4" frame)
PL-7927 (For 1" frame)

Lock Pins

Contents: 6 pins.

Description: Plated steel pin used to secure window screens to sliding aluminum windows.

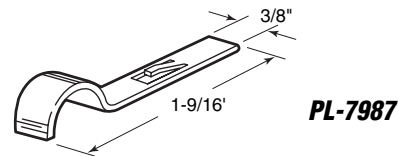


PL-7987 (For 3/4" frame)

Slide Locks

Contents: 6 locks.

Description: Stamped aluminum locks used to attach window screens to aluminum window channel.



PL-7760 (Mill finish)
PL-7846 (Bronze finish)
PL-7847 (White finish)
PL-7849 (Gray finish)

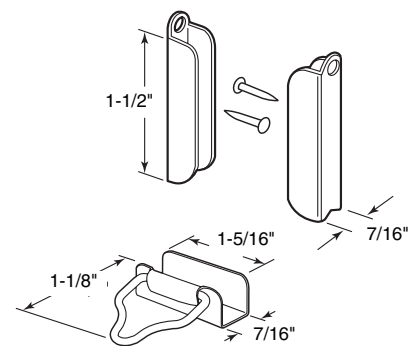
Hanger and Latches

Contents: 4 top hangers; 2 bottom latches; 2 ball head screws.

Description: Stamped aluminum hardware used to install 7/16" thick window screens to wood framed windows.

See Nail Set Tool P-7921 on page PL-17.

PL-7760
PL-7846
PL-7847
PL-7849



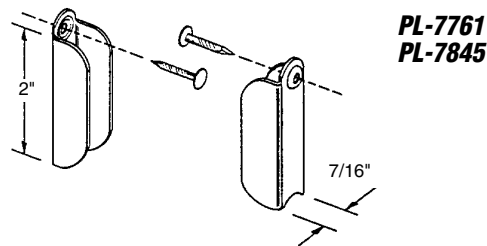
PL-7761 (Mill finish)
PL-7845 (White finish)

Top Hangers

Contents: 6 hangers; 6 nails.

Description: Stamped aluminum hangers nail into top corners of wood window frame; used to hold 7/16" thick frame to window frame.

See Nail Set Tool P-7921 on page PL-17.

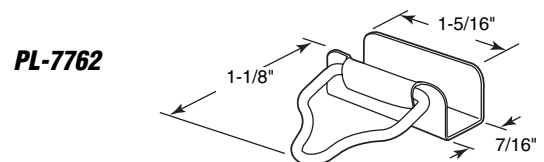


PL-7762 (Mill finish)

Bottom Latches

Contents: 4 latches; 4 ball head screws.

Description: Stamped aluminum latches slip-on to bottom of 7/16" thick frame; used to hold bottom of window screen to wood window sill.

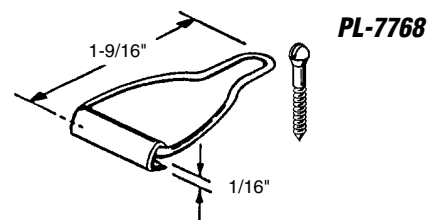


PL-7768 (Mill finish)

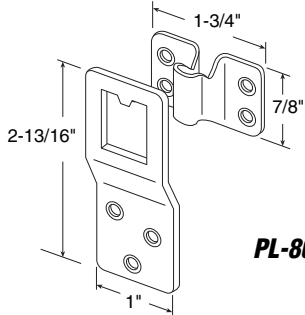
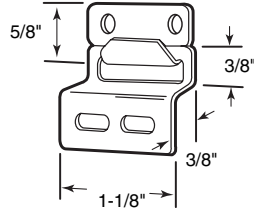
Bottom Latches

Contents: 4 latches; 4 ball head screws.

Description: Stamped aluminum latch is installed into spline channel of window screen; used to hold bottom of screen to wood framed window sill.

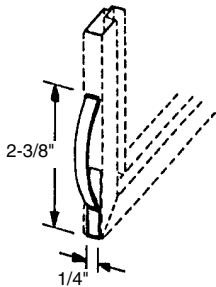


PL-8006



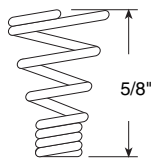
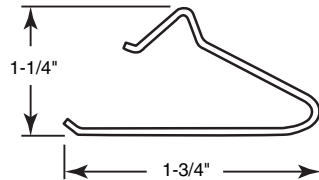
PL-8007

PL-7758



PL-7776

PL-7759



PL-7922

PL-8006

Top Hangers

Contents: 4 hooks; 4 keepers; 4 sets of installation screws.

Description: Stamped aluminum hardware; used on wood framed windows; top mounted; hooks mount to window frame and keepers mount to screen frame.

PL-8007

Top Hangers

Contents: 2 hooks; 2 keepers; 2 sets of installation screws.

Description: Plated steel hardware; used on wood framed windows; top mounted; hooks mount to window frame and keepers mount to screen frame.

PL-7758

Tension Springs

Contents: 6 springs.

Description: Heat treated steel springs hold window screen into sliding aluminum window channels. Requires (2) 3/16" holes drilled 3-3/16" apart.

PL-7776

Tension Springs

Contents: 6 springs.

Description: Heat treated steel tension springs hold window screens into sliding aluminum window screen channels. Slips into corner of 5/16", 3/8" and 7/16" frame. No tools required.

PL-7759

Tension Springs

Contents: 12 springs.

Description: Plated steel spring wire; designed to hold window screens into sliding aluminum window screen channels.

PL-7922

Tension Springs

Contents: 6 springs.

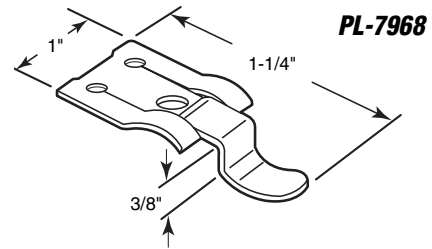
Description: Heat treated steel tension springs hold window screens into sliding aluminum window screen channel. Spring threads into a 1/8" hole.

PL-7968

Storm Panel Clips

Contents: 4 clips.

Description: Heat treated steel designed for holding storm windows or window screen panels in place; snap open or closed.

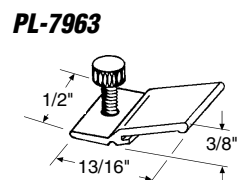
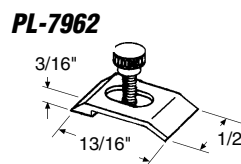
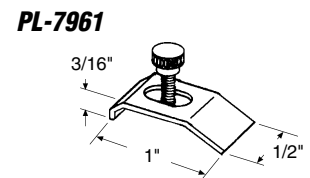
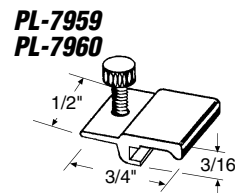
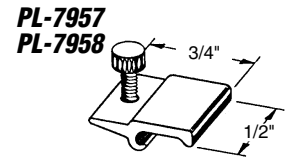
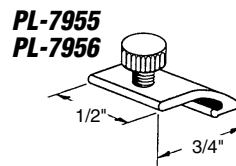
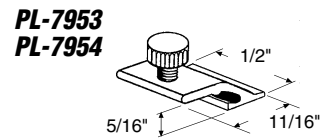
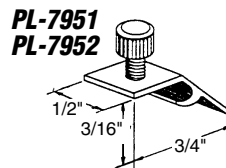
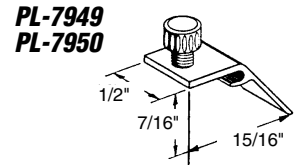
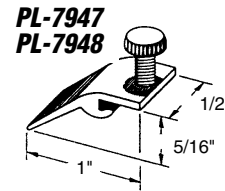
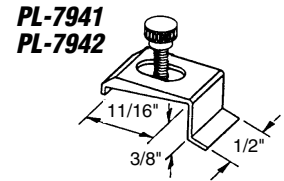
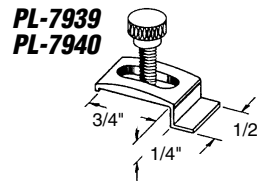
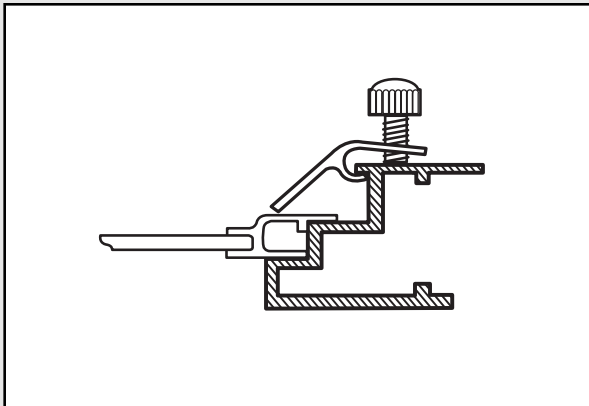


Storm Panel Clips (Extruded Aluminum)

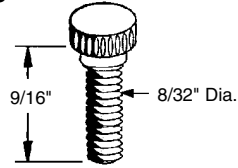
Contents: 8 clips with installation screws.

Mill	White
PL-7939	PL-7940
PL-7941	PL-7942
PL-7947	PL-7948
PL-7949	PL-7950
PL-7951	PL-7952
PL-7953	PL-7954
PL-7955	PL-7956
PL-7957	PL-7958
PL-7959	PL-7960
PL-7961	-
PL-7962	-
PL-7963	-

Description: Extruded aluminum clips attach storm windows or screen panels to storm door frame with thumbscrew.



PL-7945
PL-7946



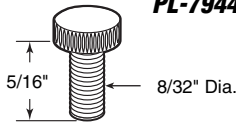
PL-7945 (Mill finish)
PL-7946 (White finish)

Storm Panel Thumbscrews

Contents: (8) no. 8-32 x 9/16" thumbscrews.

Description: Aluminum thumbscrews used with storm door panel clips.

PL-7943
PL-7944



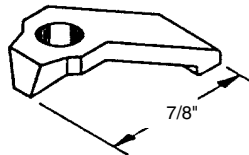
PL-7943 (Mill finish)
PL-7944 (Nylon)

Storm Panel Thumbscrews

Contents: (8) no. 8-32 x 5/16" thumbscrews.

Description: Thumbscrews used with storm panel clips.

PL-7965



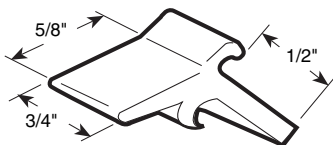
PL-7965

Storm Panel Clips

Contents: 8 clips.

Description: Aluminum turn button; used to attach storm window panels to storm doors.

PL-7964



PL-7964 (Nylon)

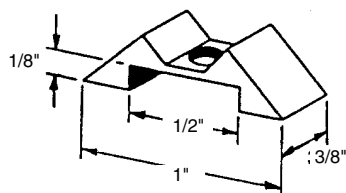
Storm Panel Clips

Contents: 8 clips.

Description: Self locking storm window panel clips.

Call for Availability

PL-7966



PL-7966

Storm Panel Turn Buttons

Contents: 8 turn buttons.

Description: Aluminum turn button; used to attach storm window panels to storm doors.

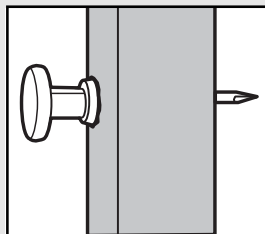
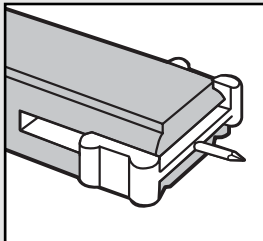
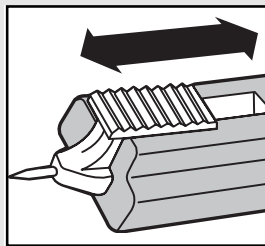
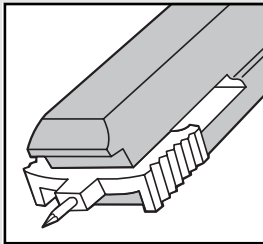
Window Grid Retainers

Contents: 6 retainers.

Part #	Fits Grille Bar Width
PL-7976	3/8"
PL-7977	5/8"
PL-7981	7/8"
PL-7978	5/8"
PL-7979	1/2"
PL-7982	1"
PL-7980	7/8"
PL-7983	
PL-7988	
PL-7989	

Description: Clear plastic grid retainer with 1/4" steel pin projection; used to secure decorative window grid in place, some retainers include retainer sleeves.

All grid retainers are available in bulk quantities.



PL-7984

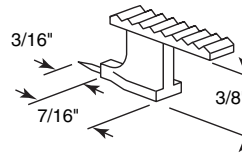
Window Grid Retainer

Contents: 6 retainers.

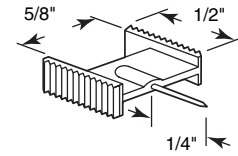
Description: Clear plastic grid retainer with plastic pin; used to secure decorative window grids in place.

Call for
Availability

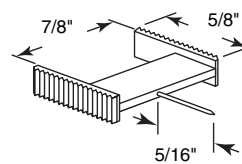
PL-7976



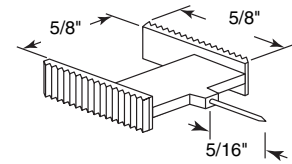
PL-7977



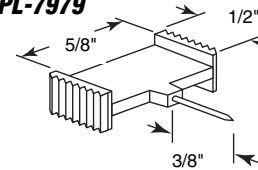
PL-7981



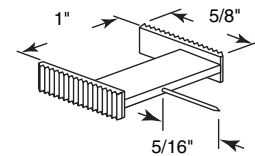
PL-7978



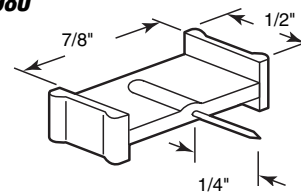
PL-7979



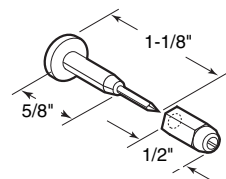
PL-7982



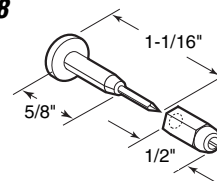
PL-7980



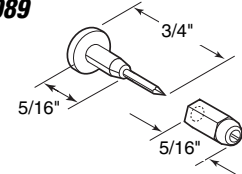
PL-7983



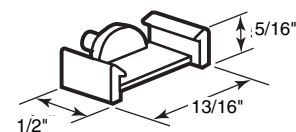
PL-7988

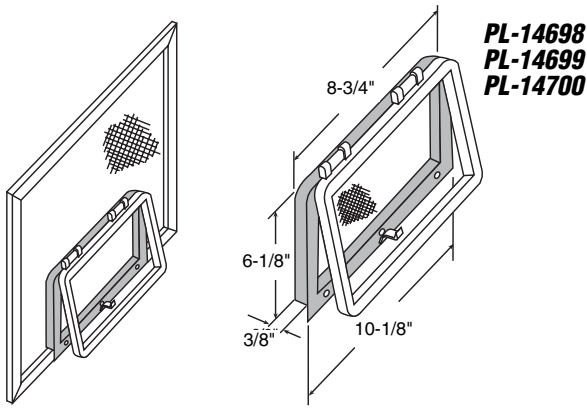


PL-7989



PL-7984





PL-14698 (Gray)
PL-14699 (Bronze)
PL-14700 (White)

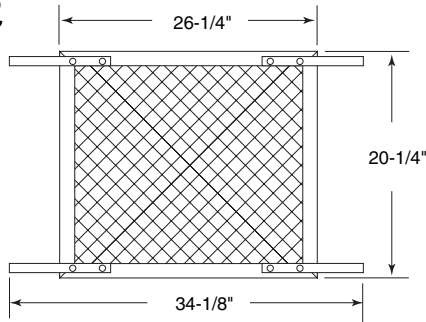
PL-14698 (Gray)
PL-14699 (Bronze)
PL-14700 (White)

Plastic Wickets

Contents: 1 wicket; 60" coil of spline; 1 set of installation screws.

Description: Allows access to awning or casement window operators thru an inside window screen; install to existing window screen with minimum width of 12".

PL-15515
PL-15517



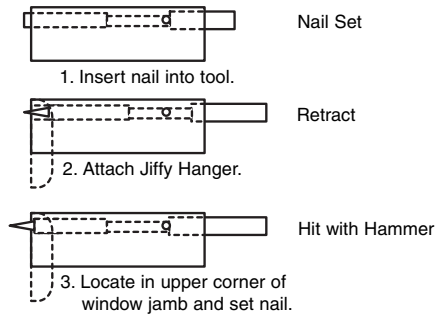
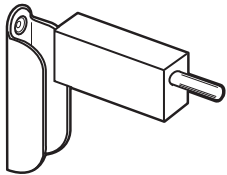
PL-15515 (Gray)
PL-15517 (White)

Plastic Screen/Storm Door Grilles

Contents: 1 grille; 1 set of installation screws.

Description: Molded plastic grille fits most swinging door applications; helps prevent screen or glass damage; easy to install.

P-7921



P-7921

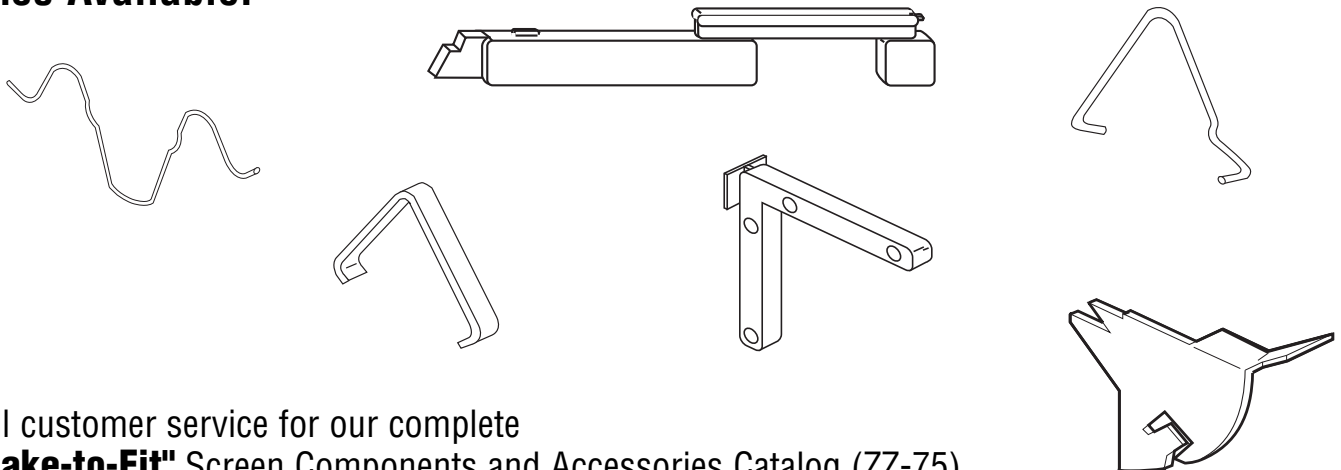
Nail Set

Contents: 1 nail set.

Description: Cadmium plated steel; makes installation of top hangers for 7/16" window screen a real snap. Driver retracts to hold nail; nail set housing slips into channel of top hanger; locate hanger to upper corner of wood window frame, then tap driver with hammer to secure hanger.

Note: For installing PL-7760, PL-7761, PL-7845, PL-7846, PL-7847 & PL-7849.

Also Available:



Call customer service for our complete **"Make-to-Fit"** Screen Components and Accessories Catalog (ZZ-75).

INDEX - Shower Door Hardware

Part No.	Page No.	Description	Package Quantity	Standard Pack
M-6000	M-1	Roller (Oval edge)	2	6
M-6001	M-1	Roller (Flat edge)	2	6
M-6002	M-1	Roller (Oval edge)	2	6
M-6003	M-1	Roller (Flat edge)	2	6
M-6006	M-2	Roller (Flat edge)	2	6
M-6007	M-2	Roller Assembly	2	6
M-6008 (3/4" flat edge ball bearing roller)	M-3	Roller Assembly	2	6
M-6009 (7/8" flat edge roller)	M-3	Roller Assembly	2	6
M-6010 (3/4" oval edge roller)	M-3	Roller Assembly	2	6
M-6011 (3/4" flat edge roller)	M-3	Roller Assembly	2	6
M-6012 (7/8" oval edge roller)	M-3	Roller Assembly	2	6
M-6013	M-4	Roller Assembly	2	6
M-6014 (Nylon tip)	M-9	Shower Door Catch	1	6
M-6015 (Stainless steel tip)	M-9	Shower Door Catch	1	6
M-6016 (Chrome finish)	M-8	Pull Handle (Inside)	1	6
M-6017 (Brass finish)	M-8	Pull Handle (Inside)	1	6
M-6018 (Chrome finish)	M-8	Pull Handle (Outside)	1	6
M-6019 (Brass finish)	M-8	Pull Handle (Outside)	1	6
M-6020 (Chrome finish)	M-12	Towel Bar Bracket	2	6
M-6021 (Brass finish)	M-12	Towel Bar Bracket	2	6
M-6022	M-10	Sweep (36")	1	6
M-6023	M-10	Sweep (36")	1	6
M-6024 (5/16" wide)	M-13	Corner Bracket	4	6
M-6024B (5/16" wide)	M-13	Corner Bracket	100	1
M-6025 (7/16" wide)	M-13	Corner Bracket	4	6
M-6025B (7/16" wide)	M-13	Corner Bracket	100	1
M-6026	M-12	Bumper Assortment	4	6
M-6027	M-13	Bumper Assortment	4	6
M-6028	M-2	Roller Assembly	2	6
M-6029 (Chrome finish)	M-8	Handle Set	1 set	6
M-6030 (Brass finish)	M-8	Handle Set	1 set	6
M-6031	M-2	Roller (Flat edge)	2	6
M-6032 (3/4" oval edge ball bearing roller)	M-3	Roller Assembly	2	6
M-6033 (Brass)	M-9	Shower Door Catch	1	6
M-6034 (3/4" oval edge roller)	M-3	Door Roller Bracket	2	6
M-6035 (3/4" flat edge roller)	M-3	Door Roller Bracket	2	6
M-6036 (7/8" oval edge roller)	M-3	Door Roller Bracket	2	6
M-6037 (7/8" flat edge roller)	M-3	Door Roller Bracket	2	6
M-6039	M-6	Bottom Guide	2	6
M-6040	M-11	Sweep (36")	1	6
M-6042 (Antique brass finish)	M-8	Handle Set	1 set	6
M-6043 (Antique brass finish)	M-12	Towel Bar Bracket	2	6
M-6047	M-5	Guide Roller Assembly	2	6
M-6048	M-5	Guide Roller Assembly	2	6
M-6049	M-10	Friction Catch	1	6
M-6050	M-10	Magnetic Catch	1	6
M-6051	M-8	Pull Handle	1	6
M-6052 (Chrome finish)	M-17	Curtain Rod End Brackets	1 set	6
M-6053 (Chrome finish)	M-3	Roller Assembly	2	6
M-6054	M-4	Roller Assembly	2	6
M-6055	M-4	Roller Assembly	2	6
M-6056	M-7	Pivot	1	6
M-6057	M-5	Roller And Bracket	2	6
M-6058	M-14	Bottom Guide	2	6
M-6059	M-14	Bottom Guide	2	6

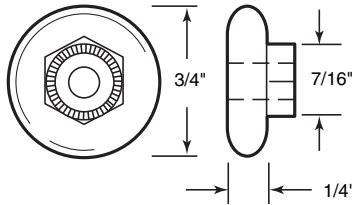
INDEX - Shower Door Hardware

Part No.	Page No.	Description	Package Quantity	Standard Pack
M-6060	M-7	Bottom Guide	2	6
M-6062	M-6	Bottom Guide	2	6
M-6063	M-6	Bottom Guide	2	6
M-6064	M-9	Catch	1	6
M-6065	M-1	Roller (Flat edge)	2	6
M-6066 (Chrome finish)	M-17	Curtain Rod End Brackets	1 set	6
M-6067	M-14	Bottom Guide	1	6
M-6068 (Nylon)	M-2	Roller (Flat edge)	2	6
M-6069	M-5	Roller Assembly	2	6
M-6070	M-6	Guide Roller Assembly	2	6
M-6071	M-6	Guide Roller Assembly	2	6
M-6072	M-10	Bullet Catch	2	6
M-6073 (Chrome finish)	M-11	Towel Bar	1	5
M-6074 (Brass finish)	M-11	Towel Bar	1	5
M-6075 (5' aluminum)	M-18	Shower Curtain Rod	1	5
M-6076 (5' stainless steel)	M-18	Shower Curtain Rod	1	5
M-6077	M-15	Bottom Guide	1	6
M-6078 (Chrome finish)	M-12	Towel Bar Bracket	2	6
M-6079 (Brass finish)	M-12	Towel Bar Bracket	2	6
M-6082 (6' aluminum)	M-18	Shower Curtain Rod	1	5
M-6083	M-10	Sweep	100' roll	1
M-6084	M-10	Sweep	100' roll	1
M-6085 (Porcelain white)	M-18	Splash Guard (Straight)	2	6
M-6086 (Porcelain white)	M-18	Splash Guard (Curved)	1 pair	6
M-6087 (Porcelain white)	M-19	Splash Guard (Molded style)	1 pair	6
M-6088	M-16	Jamb Guide	2	6
M-6089	M-14	Bottom Guide	2	6
M-6090	M-7	Bottom Guide	2	6
M-6091	M-16	Jamb Guide	2	6
M-6092	M-11	Sweep (36")	1	6
M-6093 (Chrome finish)	M-11	Towel Bar Assembly	1	6
M-6094 (Brass finish)	M-11	Towel Bar Assembly	1	5
M-6095	M-16	Jamb Guide	2	5
M-6096	M-17	Jamb Guide	2	6
M-6098 (Chrome finish)	M-12	Towel Bar Bracket and Finger Pull	1 set	6
M-6099 (Chrome finish)	M-9	Finger Pull	1 set	6
M-6100 (Chrome finish)	M-17	Curtain Rod Brackets	2	6
M-6101	M-18	Rod Cover	1	12
M-6102	M-9	Pull	2	6
M-6104 (Brite brass finish)	M-3	Roller Assembly	2	6
M-6105	M-15	Bottom Guide	2	6
M-6106	M-16	Bottom Guide	2	6
M-6107	M-16	Bottom Guide	2	6
M-6111	M-14	Bottom Guide	1	6
M-6112	M-17	Jamb Guide	1	6
M-6113	M-15	Bottom Guide	2	6
M-6114 (Ivory)	M-18	Splash Guard (Straight)	2	6
M-6115 (Ivory)	M-18	Splash Guard (Curved)	1 pair	6
M-6116 (Ivory)	M-19	Splash Guard (Molded style)	1 pair	6
M-6119	M-13	Bumper	4	6
M-6120	M-13	Bumper Guide	2	6
M-6121	M-10	Magnetic Retainer Strip	1 set	6
M-6122 (Satin anodized)	M-11	Towel Bar	1	5
M-6123 (Satin brass finish)	M-11	Towel Bar	1	5
M-6129 (Bronze finish)	M-12	Towel Bar Bracket	2	6

INDEX - Shower Door Hardware

Part No.	Page No.	Description	Package Quantity	Standard Pack
M-6140 (6' stainless steel)	M-18	Shower Curtain Rod	1	5
M-6142 (Chrome finish)	M-9	Pull Handle	1	6
M-6143	M-4	Roller Assembly	1	6
M-6144	M-15	Bottom Guide	1	6
M-6145	M-4	Roller Assembly	2	6
M-6146 (5' brass finished aluminum)	M-18	Shower Curtain Rod	1	5
M-6147 (Brass finish)	M-17	Curtain Rod End Brackets	1 set	6
M-6148	M-15	Bottom Guide	2	6
M-6150	M-9	Pull	1	6
M-6151	M-1	Roller (Oval edge)	4	6
M-6152	M-1	Roller (Flat edge)	4	6
M-6153	M-1	Roller (Oval edge)	4	6
M-6154	M-1	Roller (Flat edge)	4	6
M-6157	M-5	Roller Assembly	2	6
M-6158	M-8	Handle Set	1 set	6
M-6159	M-8	Handle Set	1 set	6
M-6164	M-13	Door Bumper	4	6
M-6166	M-1	Roller & Bumper	2	6
M-6167	M-1	Roller & Bumper	2	6
M-6168	M-1	Roller & Bumper	2	6
M-6169	M-1	Roller & Bumper	2	6
M-6174	M-7	Bottom Pivot	1	6

M-6000
M-6151

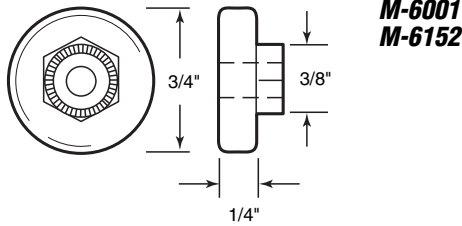


M-6000 (2 per card)
M-6151 (4 per card)

Roller (Oval edge)

Contents: Rollers with no. 8-32 x 3/8" Phillips binder head machine screws.

Description: Nylon ball bearing roller with threaded hex hub.



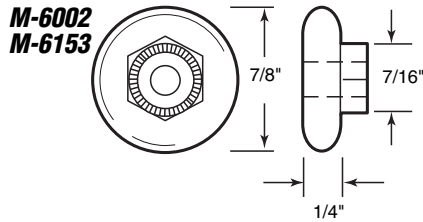
M-6001
M-6152

M-6001 (2 per card)
M-6152 (4 per card)

Roller (Flat edge)

Contents: Rollers with no. 8-32 x 3/8" Phillips binder head machine screws.

Description: Nylon ball bearing roller with threaded hex hub.



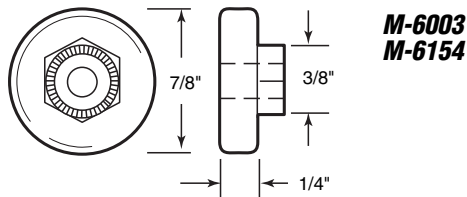
M-6002
M-6153

M-6002 (2 per card)
M-6153 (4 per card)

Roller (Oval edge)

Contents: Rollers with no. 8-32 x 3/8" Phillips binder head machine screws.

Description: Nylon ball bearing roller with threaded hex hub.



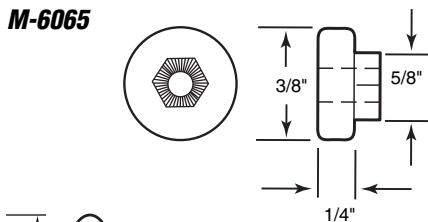
M-6003
M-6154

M-6003 (2 per card)
M-6154 (4 per card)

Roller (Flat edge)

Contents: Rollers with no. 8-32 x 3/8" Phillips binder head machine screws.

Description: Nylon ball bearing roller with threaded hex hub.



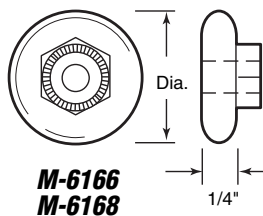
M-6065

M-6065

Roller (Flat edge)

Contents: 2 rollers; 2 no. 8-32 x 3/8" Phillips binder head machine screws.

Description: Nylon ball bearing roller with threaded hex hub.



M-6166
M-6168

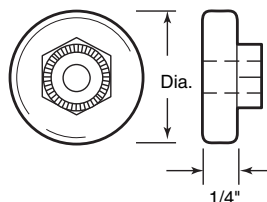
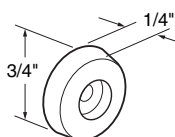
M-6167
M-6169

M-6166 (3/4" oval edge)
M-6167 (3/4" flat)
M-6168 (7/8" oval edge)
M-6169 (7/8" flat)

Roller & Bumper

Contents: 2 rollers; 1 bumper; installation screws.

Description: Solid brass inner race with stainless steel ball bearings; threaded hex hub; clear vinyl bumper.



Shower Door Hardware

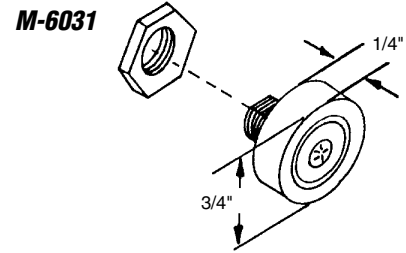
M-6031

Roller (Flat edge)

Contents: 2 rollers; 2 hex nuts.

Description: Nylon ball bearing roller; 5/16" threaded stud; used on sliding shower doors.

You may also wish to stock these related parts: **M-6013**.



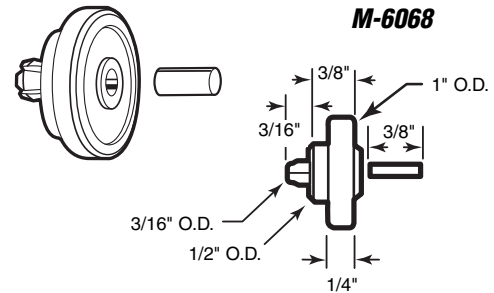
M-6068 (Nylon)

Roller (Flat edge)

Contents: 2 rollers; 2 drive pins.

Description: Drive-in pin secures expandable axle to pre-drilled hole in door.

You may also wish to stock these related parts: **M-6067**.

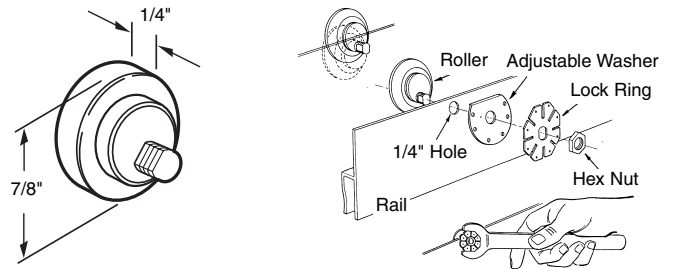


M-6006

Roller (Flat edge)

Contents: 2 rollers; 2 washers; 2 lock rings; 2 ea. 1/4"-32 hex nuts.

Description: Nylon roller; 8 position, top hung adjustable assembly (adjustments may be made after panel is installed); fits on *American Shower Door*.



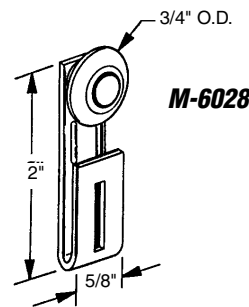
M-6028

Roller Assembly

Contents: 2 roller assemblies; 2 no. 10-32 x 3/4" Phillips pan head machine screws; 2 no. 10-32 square nuts.

Description: Nylon ball bearing oval edge roller; aluminum bracket; top hung; adjustable (adjustment can be made without removing panel); fits on *International* doors.

You may also wish to stock these related parts: **M-6067**.



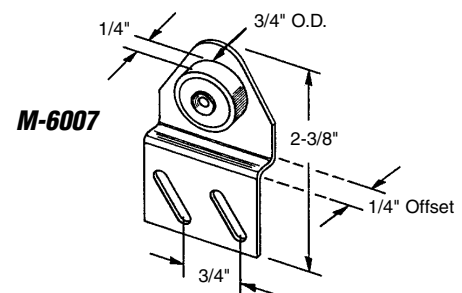
M-6007

Roller Assembly

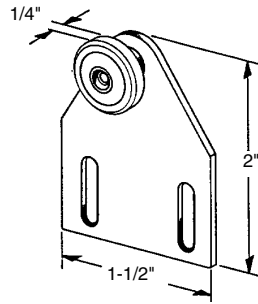
Contents: 2 roller assemblies; 2 sets of installation screws.

Description: Flat edge nylon ball bearing roller; top hung; adjustable offset bracket.

You may also wish to stock these related parts: **M-6001**, **M-6029**.



M-6008
M-6032
M-6009



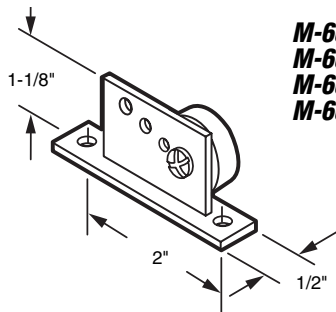
M-6008 (3/4" flat edge ball bearing roller)
M-6032 (3/4" oval edge ball bearing roller)
M-6009 (7/8" flat edge roller)

Roller Assembly

Contents: 2 roller assemblies; 2 sets of installation screws.

Description: Nylon roller; stamped aluminum bracket; top hung; adjustable.

You may also wish to stock these related parts: **M-6029**, **M-6001**.



M-6034
M-6035
M-6036
M-6037

M-6034 (3/4" oval edge roller)
M-6035 (3/4" flat edge roller)
M-6036 (7/8" oval edge roller)
M-6037 (7/8" flat edge roller)

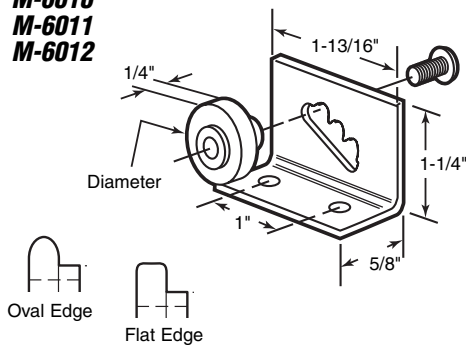
Door Roller Bracket

Contents: 2 roller assemblies; 2 sets of installation screws.

Description: Nylon ball bearing roller; aluminum bracket; top hung; adjustable; used by several shower door and tub enclosure manufacturers.

You may also wish to stock these related parts: **M-6000**, **M-6001**, **M-6002**, **M-6003**.

M-6010
M-6011
M-6012



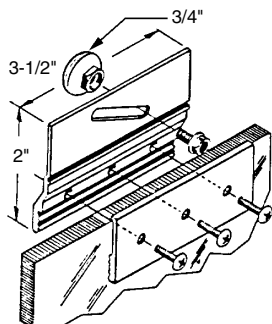
M-6010 (3/4" oval edge roller)
M-6011 (3/4" flat edge roller)
M-6012 (7/8" oval edge roller)

Roller Assembly

Contents: 2 roller assemblies; 2 sets of installation screws.

Description: Stamped steel bracket; nylon ball bearing roller; top hung; adjustable.

You may also wish to stock these related parts: **M-6000**, **M-6001**, **M-6002**.



M-6053
M-6104

M-6053 (Chrome finish)
M-6104 (Brite brass finish)

Roller Assembly

Contents: 2 roller assemblies; 2 sets of installation screws.

Description: Extruded aluminum bracket with glazing vinyl; 3/4" diameter oval edge nylon ball bearing roller; accepts up to 1/4" thick panels; used on frameless shower doors.

You may also wish to stock these related parts: **M-6000**, **M-6097**, **M-6099**.

M-6054

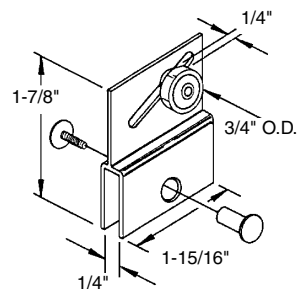
Roller Assembly

Contents: 2 roller assemblies; 2 sets of installation screws.

Description: Extruded aluminum bracket; 3/4" diameter, flat edge, nylon ball bearing roller; thru-glass 1/4" binder post; used on frameless shower doors.

You may also wish to stock these related parts: **M-6001**.

M-6054



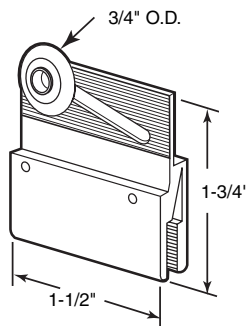
M-6145

Roller Assembly

Contents: 2 rollers assemblies.

Description: Extruded aluminum brackets 3/4" diameter, oval edge, nylon ball bearing roller; used on frameless shower doors.

You may also wish to stock these related part: **M-6000**.



M-6145

M-6143

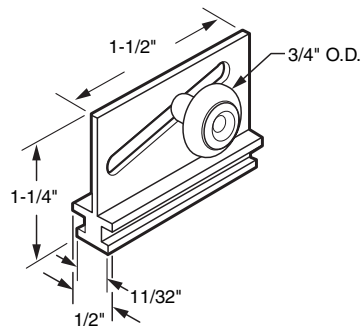
Roller Assembly

Contents: 1 roller assembly.

Description: Extruded aluminum bracket; 3/4" diameter, oval edge, nylon ball bearing roller; top hung; adjustable; fits on *Workright Products*.

You may also wish to stock these related parts: **M-6000**, **M-6144**.

M-6143



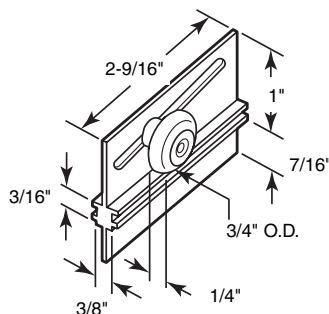
M-6055

Roller Assembly

Contents: 2 rollers assemblies.

Description: Extruded aluminum bracket; oval edge nylon ball bearing roller; top hung; adjustable; fits on *Premiere*.

You may also wish to stock these related parts: **M-6000**.



M-6055

M-6013

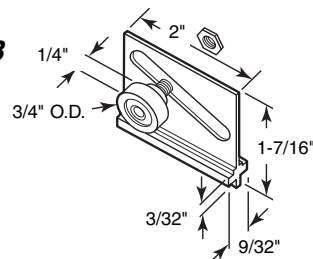
Roller Assembly

Contents: 2 roller assemblies.

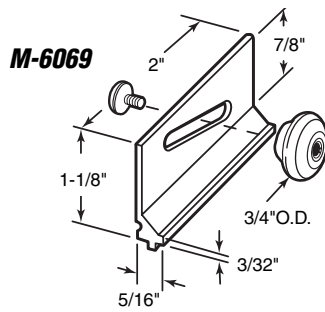
Description: Extruded aluminum bracket; flat edge nylon ball bearing roller; top hung; adjustable; fits on *Ador/ Hilite*.

You may wish to stock these related parts: **M-6001**.

M-6013



Call for
Availability



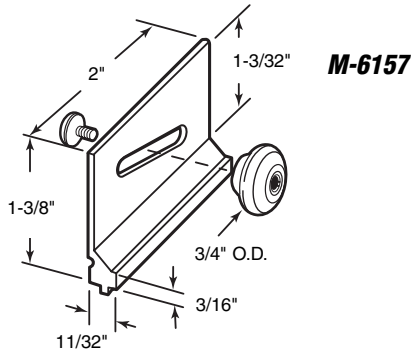
M-6069

Roller Assembly

Contents: 2 roller assemblies.

Description: Extruded aluminum bracket; oval edge nylon ball bearing roller; top hung; adjustable; fits on *Bath Co Shower Door*.

You may also wish to stock these related parts: **M-6000, M-6088, M-6091, M-6157.**



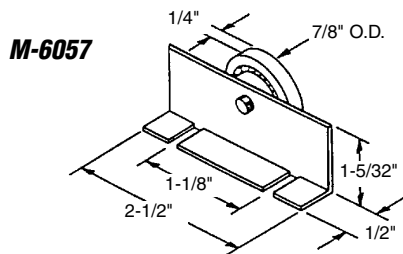
M-6157

Roller Assembly

Contents: 2 roller assemblies.

Description: Extruded aluminum bracket; oval edge nylon ball bearing roller; top hung; adjustable; fits on *Bath Co Shower Door*.

You may also wish to stock these related parts: **M-6000, M-6088, M-6091, M-6157.**

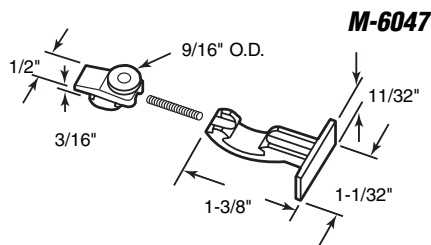


M-6057

Roller And Bracket

Contents: 2 roller and bracket assemblies; 1 set of installation screws.

Description: Stamped aluminum bracket; 7/8 inch flat edge nylon ball bearing roller; top mounting; 1-1/8 inch hole centers.



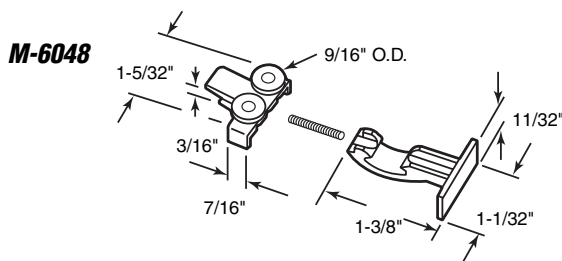
M-6047

Guide Roller Assembly

Contents: 2 roller assemblies.

Description: Nylon guide bracket; spring loaded; used top and bottom on leading-edge of sliding sectional doors.

You may wish to stock these related parts: **M-6048, M-6049, M-6050, M-6051.**



M-6048

Guide Roller Assembly

Contents: 2 roller assemblies.

Description: Nylon guide bracket; spring loaded; used top and bottom on mid-panels of sliding sectional doors.

You may wish to stock these related parts: **M-6049, M-6050, M-6051.**

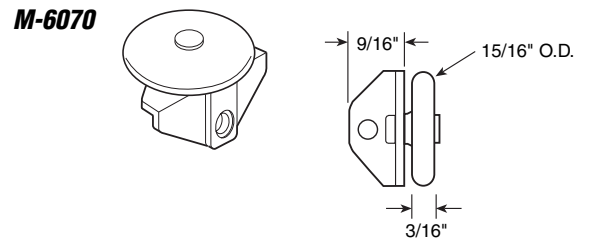
M-6070

Guide Roller Assembly

Contents: 2 roller assemblies.

Description: Nylon assembly serves as both door roller and guide; fits on *Tubmaster* folding doors.

You may wish to stock these related parts: **M-6071**.



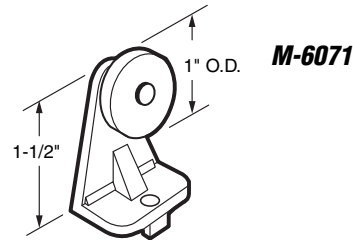
M-6071

Guide Roller Assembly

Contents: 2 roller assemblies.

Description: Nylon assembly serves as a top hung door roller; fits on *Tubmaster* bi-passing doors.

You may wish to stock these related parts: **M-6070**



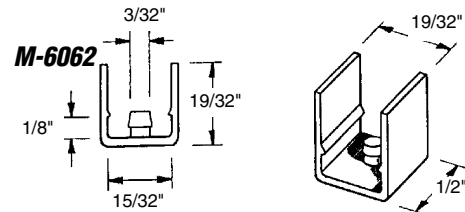
M-6062

Bottom Guide

Contents: 2 guides.

Description: Nylon guide for sliding tub enclosure doors; fits directly onto door frame bottom; normal installation is 2 per door; snap-in design.

Call for Availability

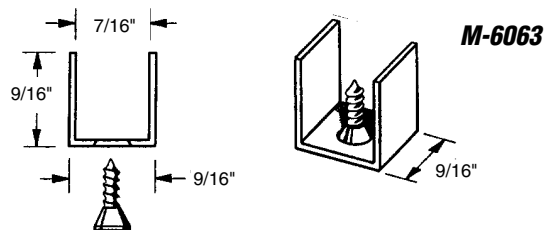


M-6063

Bottom Guide

Contents: 2 guides; 2 installation screws.

Description: Nylon guide for sliding tub enclosure doors; fits directly onto door frame bottom; normal installation is 2 per door.



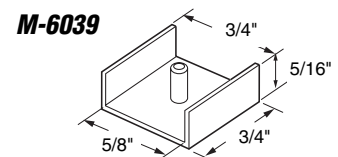
M-6039

Bottom Guide

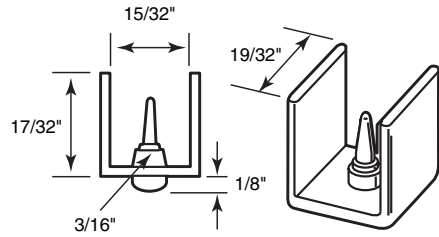
Contents: 2 guides.

Description: Nylon guide for sliding tub enclosure doors; fits 1/2\"/>

You may also wish to stock these related parts: **M-6026**.



M-6061



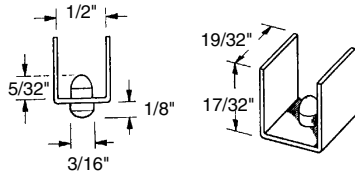
M-6061

Bottom Guide

Contents: 2 guides.

Description: Nylon guide for sliding tub enclosure doors; fits directly onto door frame bottom; normal installation is 2 per door; snap-in design.

M-6060

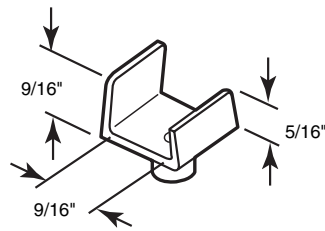
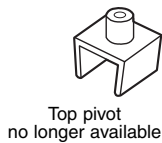


M-6060

Bottom Guide

Contents: 2 guides.

Description: Nylon guide for sliding tub enclosure doors; fits directly onto door frame bottom; normal installation is 2 per door; snap-in design.



M-6174

M-6174

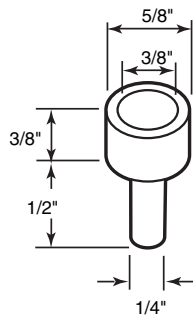
Bottom Pivot

Contents: 1 bottom pivot.

Description: Nylon pivot, used on swinging shower doors; fits 9/16" thick frame.

You may wish to stock these related parts: **M-6014**, **M-6029**.

M-6056



M-6056

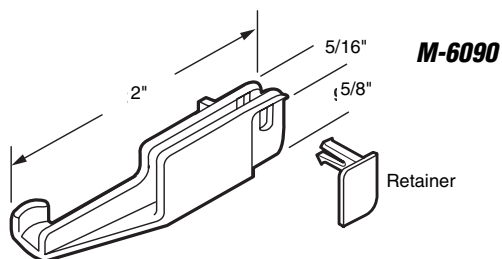
Pivot

Contents: 2 pivots.

Description: Nylon top and bottom pivot for swinging shower doors; fits a 1/4" hole.

You may wish to stock these related parts: **M-6038**.

Call for
Availability



M-6090

Bottom Guide

Contents: 2 guides; 2 retainers.

Description: Nylon bottom guide and retainer for shower doors; fits on *Kinlead* and *Sterling*.

Shower Door Hardware

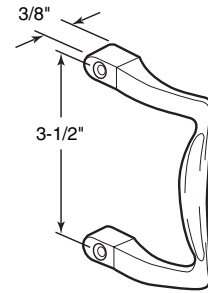
M-6016 (Chrome finish)
M-6017 (Brass finish)

Pull Handle (Inside)

Contents: 1 handle; 1 set of installation screws.

Description: Plated diecast handles for sliding or swinging, shower and tub enclosure doors.

M-6016
M-6017

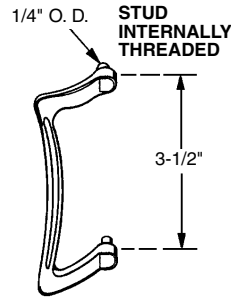


M-6018 (Chrome finish)
M-6019 (Brass finish)

Pull Handle (Outside)

Contents: 1 handle; 1 set of installation screws.

Description: Plated diecast handles for sliding or swinging, shower and tub enclosure doors.



M-6018
M-6019

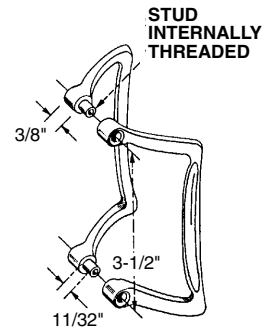
M-6029 (Chrome finish)
M-6030 (Brass finish)
M-6042 (Antique brass finish)

Handle Set

Contents: 1 handle set with installation screws.

Description: Plated diecast handle set for hinged shower doors and sliding tub enclosure doors.

M-6029
M-6030
M-6042

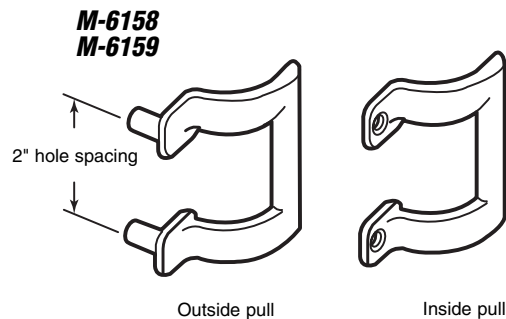


M-6158 (Chrome plated)
M-6159 (Brass plated)

Handle Set

Contents: 1 handle set with installation screws.

Description: Plated diecast handles; outside handle with threaded studs and inside handle with holes; supplied with stainless steel machine screws.



M-6051

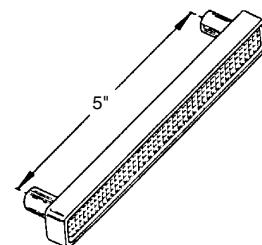
Pull Handle

Contents: 1 handle.

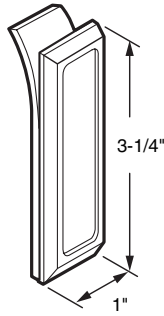
Description: White vinyl handle is used on both sliding and swinging shower doors; 5" hole centers.

You may also wish to stock these related parts: **M-6047**, **M-6048**, **M-6049**, **M-6050**.

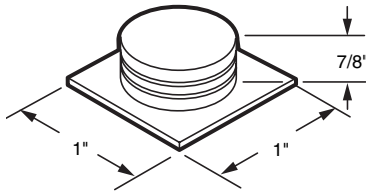
M-6051



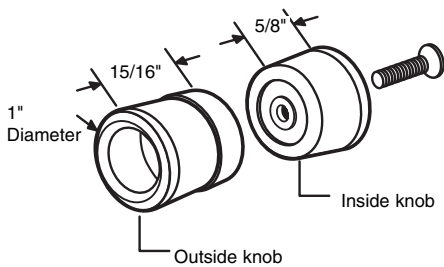
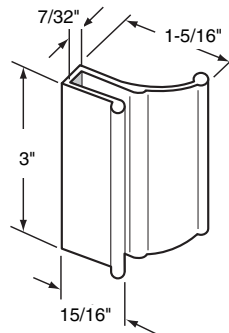
M-6102



M-6150

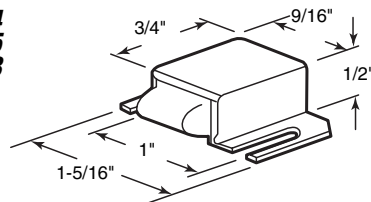


M-6142

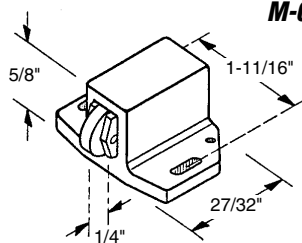


M-6099

**M-6014
M-6015
M-6033**



M-6064



M-6102

Pull

Contents: 2 door pulls.

Description: Clear acrylic; self adhesive; commonly used on sliding medicine cabinet or mirrored doors.

You may also wish to stock these related parts: **M-6150**.

M-6150

Pull

Contents: 1 pull.

Description: Clear acrylic pull; self adhesive; used on cabinet, shower and tub enclosure sliding doors.

You may also wish to stock these related parts: **M-6102**.

M-6142 (Chrome finish)

Pull Handle

Contents: 1 handle.

Description: Extruded aluminum; accepts a 3/16" glass panel; use with a clear silicone sealant; used by several tub enclosure manufacturers.

M-6099 (Chrome finish)

Finger Pull

Contents: 1 inside pull; 1 outside pull; 1 spacer ring; 1 installation screw.

Description: Diecast knobs with vinyl grips; requires a 3/8" hole in glass.

You may wish to stock these related parts: **M-6097, M-6098**.

M-6014 (Nylon tip - stainless steel housing)

M-6015 (Stainless steel tip - stainless steel housing)

M-6033 (Nylon tip - brass finish housing)

Shower Door Catch

Contents: 1 latch assembly; 2 no. 8x3/8" Phillips binder head sheet metal screws.

Description: Spring loaded latch; adjustable; for hinged shower doors.

M-6064

Catch

Contents: 1 catch; 1 set of installation screws.

Description: All nylon catch has spring loaded strike roller; heavy duty construction; universal application.

You may also wish to stock these related parts: **M-6023, M-6051**.

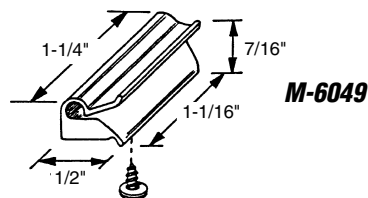
M-6049

Friction Catch

Contents: 1 catch; 1 installation screw.

Description: White nylon catch; friction operated.

You may also wish to stock these related parts: **M-6047**, **M-6048**, **M-6050**, **M-6051**.



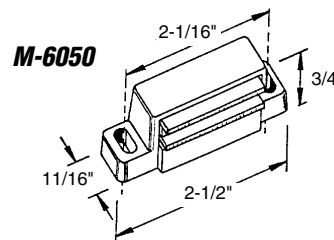
M-6050

Magnetic Catch

Contents: 1 catch; 1 set of installation screws.

Description: White plastic housing; dual magnetic inserts; holds swinging shower doors closed; heavy duty construction.

You may also wish to stock these related parts: **M-6051**.



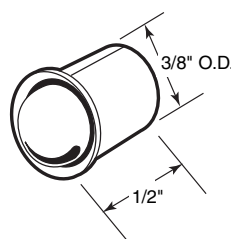
M-6072

Bullet Catch

Contents: 2 catches.

Description: Nickel plated steel; spring loaded bullet style catch.

You may also wish to stock these related parts: **M-6022**, **M-6029**.



M-6121

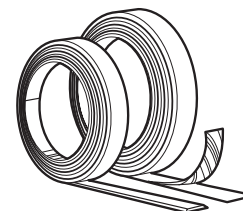
Magnetic Retainer Strip

Contents: 1 set (6' strip)

Description: Opposite-attracting, self-adhesive magnetic strips install along edge of shower door to hold it closed; eliminates the need for a catch; will not corrode; can be cut to desired size.

You may also wish to stock these related parts: **M-6051**.

M-6121



M-6022 (36" per card)

M-6083 (100' per roll)

Sweep

Contents: Sweep.

Description: 1-1/2" flat gray vinyl; for use on hinged shower doors.

You may also wish to stock these related parts: **M-6024**, **M-6029**.

M-6023 (36" per card)

M-6084 (100' per roll)

Sweep

Contents: Sweep.

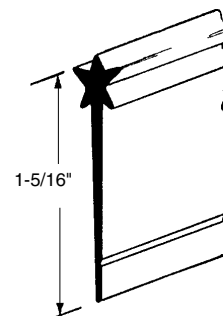
Description: "Star tip" gray vinyl; for use on hinged shower doors.

You may also wish to stock these related parts: **M-6014**, **M-6029**.

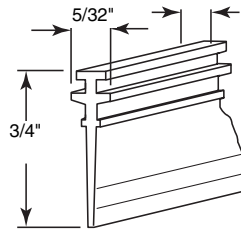
M-6022
M-6083



M-6023
M-6084



M-6040



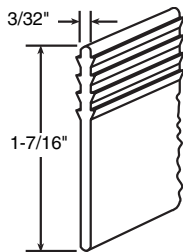
M-6040

Sweep

Contents: 1 - 36" sweep.

Description: Gray vinyl sweep, for use on hinged shower doors.

You may wish to stock these related parts: **M-6038**.



M-6092

M-6092

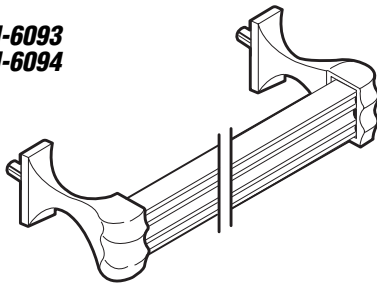
Sweep

Contents: 1 - 36" sweep.

Description: Heavy gauge gray vinyl sweep, for use on hinged shower doors.

You may wish to stock these related parts: **M-6134**.

M-6093
M-6094



M-6093 (Chrome finish)

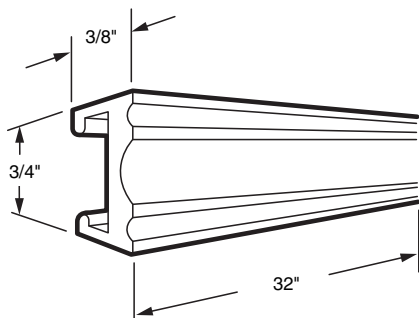
M-6094 (Brass finish)

Towel Bar Assembly

Contents: 1 - 32" towel bar; 1 set of brackets; 1 set of installation screws.

Description: 3/8" x 3/4" extruded aluminum bar; diecast bracket; universal design; used on both shower and tub enclosure doors.

You may wish to stock these related parts: **M-6014**, **M-6027**.



M-6073
M-6074
M-6122
M-6123

M-6073 (Chrome finish)

M-6074 (Brass finish)

M-6122 (Satin anodized)

M-6123 (Satin brass finish)

Towel Bar

Contents: 1 - 32" towel bar.

Description: 3/8" x 3/4" extruded aluminum bar; traditional design.

You may wish to stock these related parts: **M-6020**, **M-6021**, **M-6078**, **M-6079**.

Shower Door Hardware

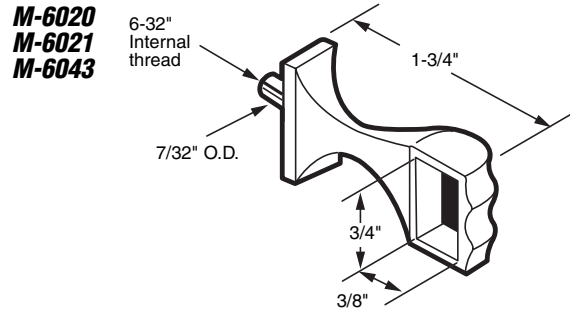
- M-6020** (Chrome finish)
- M-6021** (Brass finish)
- M-6043** (Antique brass finish)

Towel Bar Bracket

Contents: 2 brackets; 2 installation screws.

Description: Plated diecast bracket with stud; accepts a 3/8" x 3/4" towel bar; used on both shower and tub enclosure doors.

You may wish to stock these related parts: **M-6073**, **M-6074**, **M-6122**, **M-6123**.



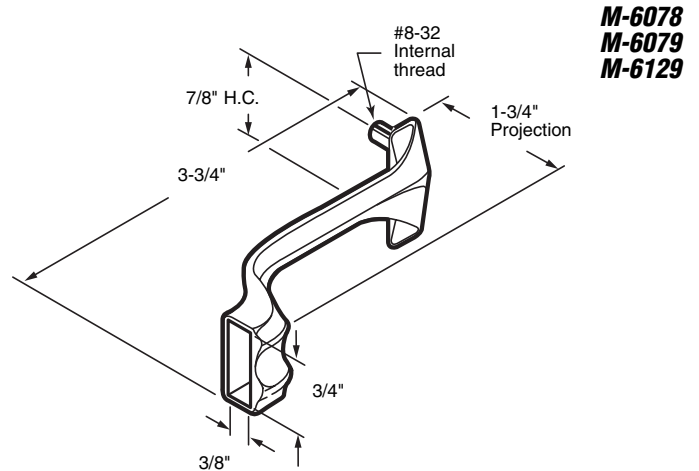
- M-6078** (Chrome finish)
- M-6079** (Brass finish)
- M-6129** (Bronze finish)

Towel Bar Bracket

Contents: 2 brackets with installation screws.

Description: Plated diecast construction; bracket accepts a 3/8" x 3/4" towel bar; offset bracket allows door to open back against adjoining wall.

You may wish to stock these related parts: **M-6073**, **M-6074**, **M-6122**, **M-6123**.



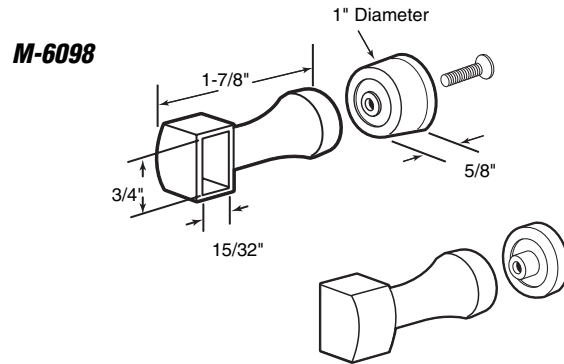
- M-6098** (Chrome finish)

Towel Bar Bracket and Finger Pull

Contents: 2 towel bar brackets; 1 finger pull; 2 spacer rings; 1 screw shield; 1 set of installation screws.

Description: Plated diecast construction; brackets require 3/8" holes for installation and accepts a 7/16" x 11/16" towel bar.

You may wish to stock these related parts: **M-6099**.

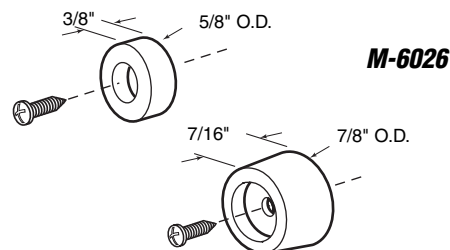


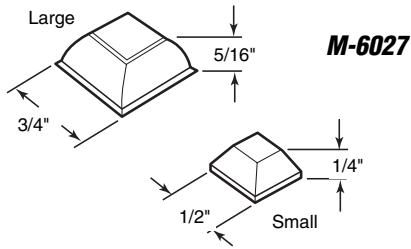
- M-6026**

Bumper Assortment

Contents: 4 bumpers (2 large, 2 small); 4 installation screws.

Description: White rubber, anti-slam protective bumpers for sliding shower doors.



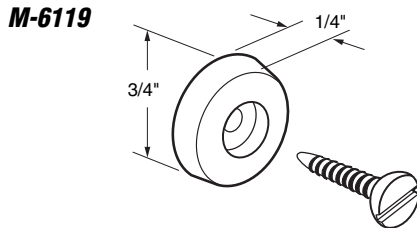


M-6027

Bumper Assortment

Contents: 4 bumpers (2 large, 2 small).

Description: Anti-slam protective stops; off-white; resilient polyurethane; pressure sensitive adhesive backing; no screws necessary.



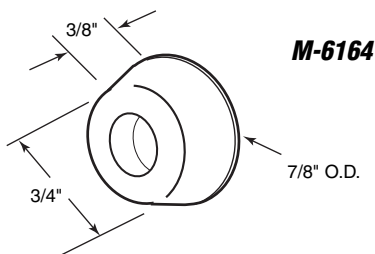
M-6119

Bumper

Contents: 4 bumpers; 4 installation screws.

Description: Clear vinyl bumpers; for shower and tub enclosure doors; used by several shower door manufacturers.

You may wish to stock these related parts: **M-6014**.

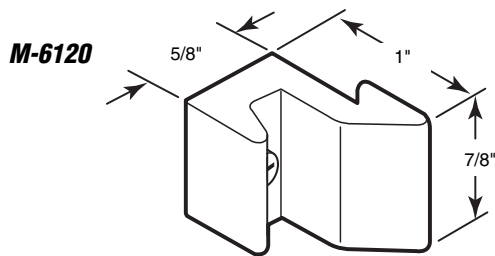


M-6164

Door Bumper

Contents: 4 bumpers; 4 installation screws.

Description: Clear polyurethane bumper; for shower and tub enclosure doors; used by several shower door manufacturers.

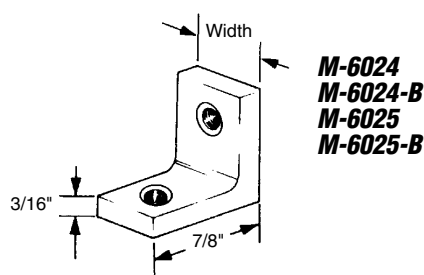


M-6120

Bumper Guide

Contents: 2 guides; 2 installation fasteners.

Description: Black neoprene bumper-guide; jamb mount; for shower and tub enclosure doors; fits on **Agalite** shower doors.



M-6024 (5/16" wide)

M-6024-B (5/16" wide - 100 poly-bagged)

M-6025 (7/16" wide)

M-6025-B (7/16" wide - 100 poly-bagged)

Corner Bracket

Contents: Corners; no. 8-32 x 3/8" Phillips flat head machine screws.

Description: Extruded aluminum corner; pre-drilled and tapped; no. 8-32 thread; used to attach frames together on sliding and hinged shower doors.

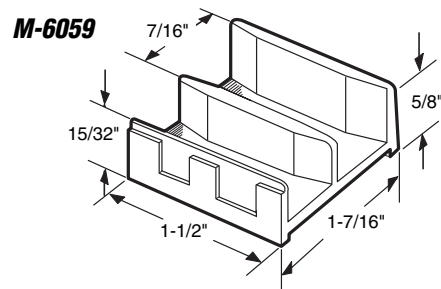
M-6059

Bottom Guide

Contents: 2 guides.

Description: Nylon bottom guide for sliding tub enclosure doors; fits 7/16" thick door rails; used by several shower door manufacturers.

You may also wish to stock these related parts: **M-6058**.



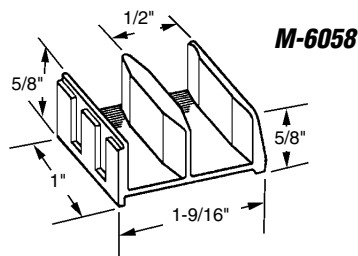
M-6058

Bottom Guide

Contents: 2 guides.

Description: Nylon bottom guide for sliding tub enclosure doors; fits 7/16" thick door rails; used by several shower door manufacturers.

You may also wish to stock these related parts: **M-6059**.



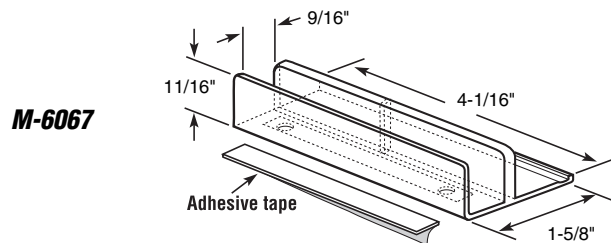
M-6067

Bottom Guide

Contents: 1 guide.

Description: Nylon bottom guide for sliding tub enclosure doors; fits 1/2" thick door rails; fits on *International*.

You may also wish to stock these related parts: **M-6028**.



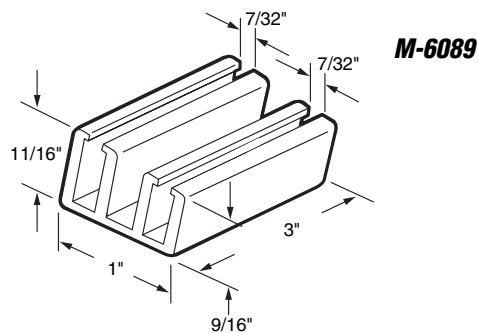
M-6089

Bottom Guide

Contents: 2 guides.

Description: Clear nylon sill guide for frameless shower doors; designed for 3/16" thick glass; use on either flat or sloped sills.

You may wish to stock these related parts: **M-6058**, **M-6059**, **M-6088**.



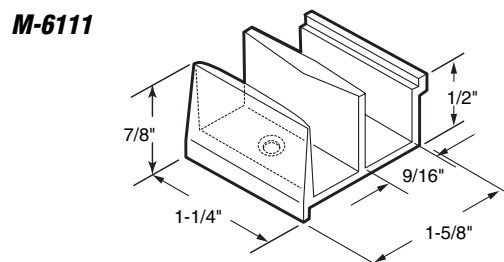
M-6111

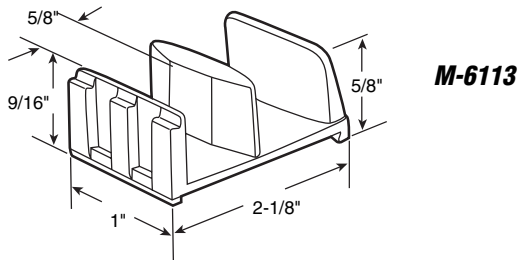
Bottom Guide

Contents: 1 guide.

Description: Clear acrylic bottom guide for sliding tub enclosure doors; fits on *Sterling*.

You may wish to stock these related parts: **M-6112**.





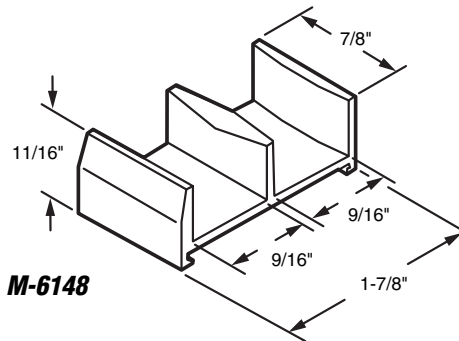
M-6113

Bottom Guide

Contents: 2 guides.

Description: Nylon bottom guide for sliding tub enclosure doors; fits 1/2" thick door rails; used by several shower door manufacturers.

You may wish to stock these related parts: **M-6058**.

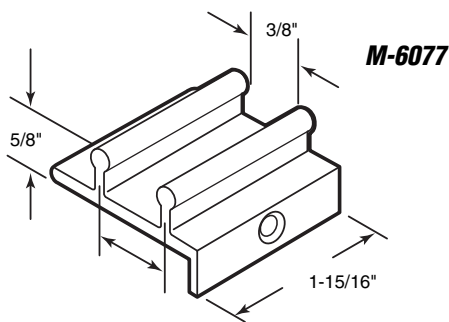


M-6148

Bottom Guide

Contents: 2 guides.

Description: Nylon guide for sliding tub enclosure doors; fits on *Miller Door*.

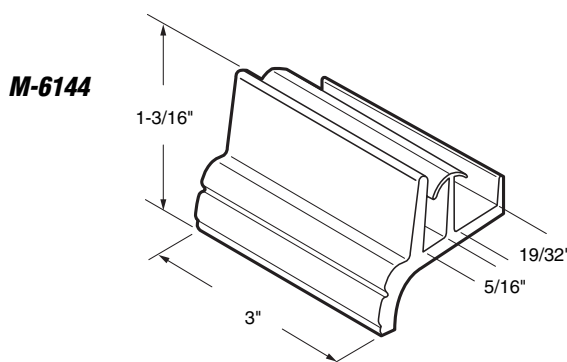


M-6077

Bottom Guide

Contents: 1 guide with installation screw.

Description: Black rigid nylon guide; secures to frame for proper by-pass door alignment.



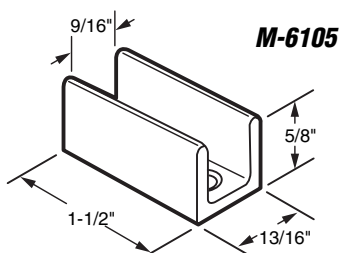
M-6144

Bottom Guide

Contents: 1 guide.

Description: Gray vinyl guide for sliding tub enclosure doors; flexible center divider allows smooth, rattle-free door movement, fits on *Workright Products*.

You may wish to stock these related parts: **M-6143**.



M-6105

Bottom Guide

Contents: 2 guides.

Description: Clear acrylic; bottom guide for frameless shower doors, fits on *Academy Mfg.*

You may wish to stock these related parts: **M-6095; M-6096; M-6106, M-6107, M-6108**.

M-6106

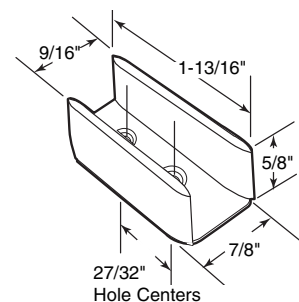
Bottom Guide

Contents: 2 guides.

Description: Clear acrylic; bottom guide for frameless shower doors, fits on *Academy Mfg.*

You may wish to stock these related parts: **M-6095, M-6096, M-6105, M-6108.**

M-6106



M-6107

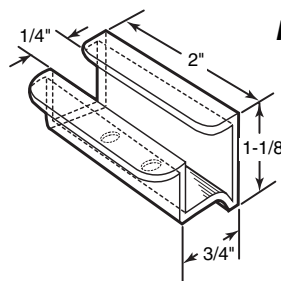
Bottom Guide

Contents: 2 guides.

Description: Clear acrylic guide for frameless shower doors; fits on *Academy Mfg.*

You may wish to stock these related parts: **M-6095, M-6096, M-6105, M-6106, M-6108.**

M-6107



M-6088

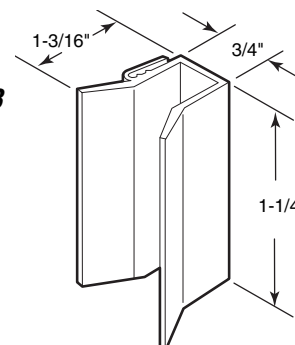
Jamb Guide

Contents: 2 guides.

Description: Nylon; jamb mounted sliding door guide, fits on *Bath Co Shower Doors.*

You may wish to stock these related parts: **M-6091.**

M-6088



M-6091

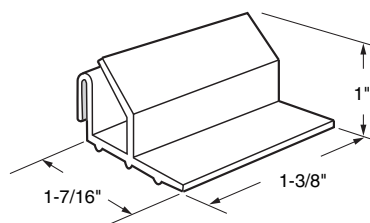
Jamb Guide

Contents: 2 guides.

Description: Nylon, jamb-mounted, sliding door guide; fits on *Bath Co. Shower Door.*

You may wish to stock these related parts: **M-6088.**

M-6091



M-6095

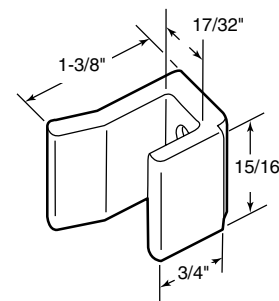
Jamb Guide

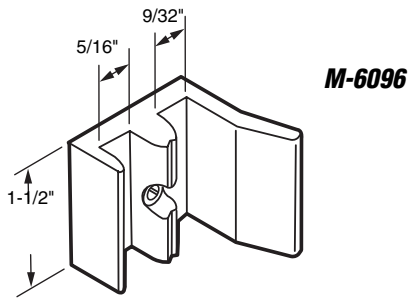
Contents: 2 guides.

Description: Natural nylon; jamb-mounted sliding door guide; fits on *Academy Mfg.*

You may wish to stock these related parts. **M-6090, M-6106.**

M-6095





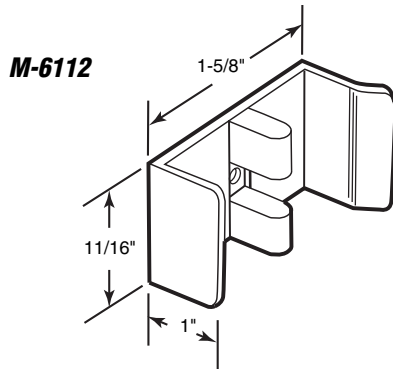
M-6096

Jamb Guide

Contents: 2 guides.

Description: Clear acrylic door guides; jamb-mounted; fits on *Academy Mfg.*

You may wish to stock these related parts: **M-6095, M-6106.**



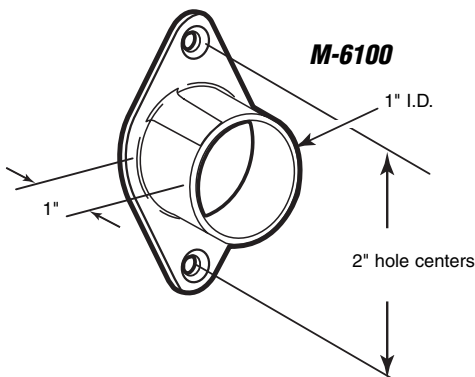
M-6112

Jamb Guide

Contents: 1 guide.

Description: White nylon; jamb-mounted; fits on *Sterling Door.*

You may wish to stock these related parts: **M-6111.**



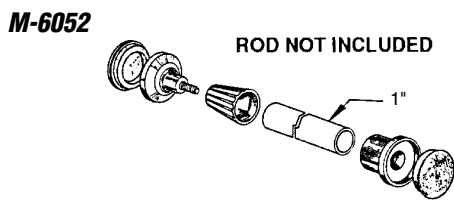
M-6100 (Chrome finish)

Curtain Rod Brackets

Contents: 2 brackets.

Description: Diecast bracket; will accept a 1" shower rod.

You may wish to stock these related parts: **M-6052, M-6075, M-6076, M-6082, M-6141.**

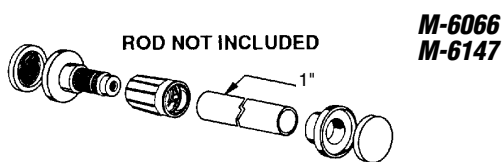


M-6052 (Chrome finish)

Curtain Rod End Brackets

Contents: 1 adjustable bracket; 1 fixed bracket; 2 rubber end caps.

Description: Diecast brackets; accept a 1" curtain rod; no tools necessary; simply twist to apply pressure between walls.



M-6066 (Chrome finish)

M-6147 (Brass finish)

Curtain Rod End Brackets

Contents: 1 adjustable bracket; 1 fixed bracket; 2 rubber end caps.

Description: Electro-plated plastic brackets; accept a 1" curtain rod; no tools necessary; simply twist to apply pressure between walls.

Shower Door Hardware

- M-6075** (5' aluminum)
- M-6082** (6' aluminum)
- M-6076** (5' stainless steel)
- M-6140** (6' stainless steel)
- M-6146** (5' brass finished aluminum)

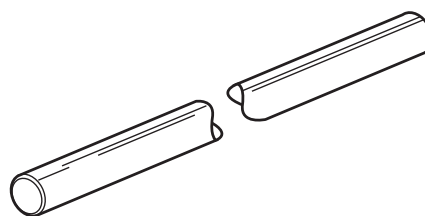
Shower Curtain Rod

Contents: 1 curtain rod.

Description: 1" metal rod; use with **M-6052**, **M-6066** or **M-6147** adjustable brackets, or **M-6100** fixed bracket.

You may wish to stock these related parts: **M-6052**, **M-6066**, **M-6100**, **M-6147**.

Minimum order: 5



M-6075
M-6082
M-6076
M-6140
M-6146

M-6101

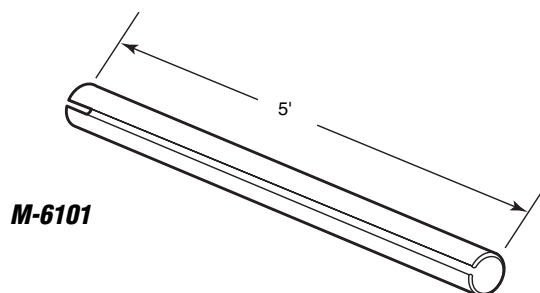
Rod Cover

Contents: 1 rod cover.

Description: White plastic; designed to slip over 1" shower rod; protects metal rods against corrosion; adds to contemporary styling.

You may also wish to stock these related parts: **M-6155**, **M-6156**.

Minimum order: 12



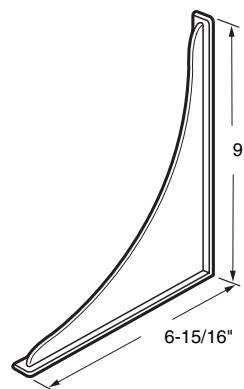
- M-6085** (Porcelain white)
- M-6114** (Ivory)

Splash Guard (Straight)

Contents: 2 guards in poly bag.

Description: Plastic guard; non-handed flat design; self-adhesive.

You may wish to stock these related parts: **M-6052**, **M-6066**, **M-6100**.



M-6085
M-6114

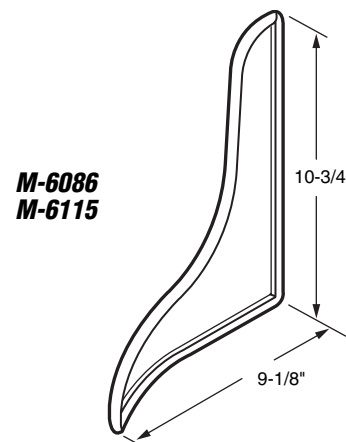
- M-6086** (Porcelain white)
- M-6115** (Ivory)

Splash Guard (Curved)

Contents: 1 pair in poly bag.

Description: Plastic guard; curved edge design; 1 left hand and 1 right hand per pair. A mildew resistant adhesive tub caulk or mastic is recommended for installation.

You may wish to stock these related parts: **M-6052**, **M-6066**, **M-6100**.



M-6086
M-6115

INDEX - Bi-passing, Bi-folding, & Pocket Door

Part No.	Page No.	Description	Package Quantity	Standard Pack
161791 (48" opening) - Minimum order: 6	N-63	Bi-Pass Door Track and Hardware Kit	1	6
161792 (60" opening) - Minimum order: 6	N-63	Bi-Pass Door Track and Hardware Kit	1	6
161793 (72" opening) - Minimum order: 6	N-63	Bi-Pass Door Track and Hardware Kit	1	6
161794 (36" opening) - Minimum order: 6	N-64	Bi-Fold Door Track and Hardware Kit	1	6
161795 (48" opening) - Minimum order: 6	N-64	Bi-Fold Door Track and Hardware Kit	1	6
161796 (60" opening) - Minimum order: 6	N-64	Bi-Fold Door Track and Hardware Kit	1	6
161797 (72" opening) - Minimum order: 6	N-64	Bi-Fold Door Track and Hardware Kit	1	6
161798 (36" max. door size) - Min. order: 6	N-64	Pocket Door Track and Hardware Kit	1	1
161850 (96" opening) - Minimum order: 6	N-63	Bi-Pass Door Track and Hardware Kit	1	6
163499 (96" opening) - Minimum order: 6	N-63	Bi-Pass Door Track and Hardware Kit	1	6
CCEP-6560 (Bagged)	N-30	Guide	2/bag	30
CCEP-6563 (Bagged)	N-31	Guide	2/bag	30
CCEP-6564 (Bagged)	N-31	Guide	2/bag	40
CCEP-6568 (Bagged)	N-21	Pole Sockets	1 set/bag	50
CCEP-6698 (Bagged)	N-20	Pull Handle	2/bag	50
CCEP-6699 (Bagged)	N-21	Pull Handle	2/bag	50
CCEP-6794 (Bagged)	N-21	Pole Sockets	1 set/bag	50
N-6500 (Front - 1/4" offset)	N-1	Roller	2	6
N-6501 (Back - 1/2" offset)	N-1	Roller	2	6
N-6502 (Front - 1/4" offset)	N-11	Roller	2	6
N-6503 (Back - 1/2" offset)	N-11	Roller	2	6
N-6504 (Front - 1/4" offset)	N-1	Roller	2	6
N-6505 (Back - 1/2" offset)	N-1	Roller	2	6
N-6506 (Front - 1/4" offset)	N-11	Roller	2	6
N-6507 (Back - 1/2" offset)	N-11	Roller	2	6
N-6508 (Front - 1/4" offset)	N-1	Roller	2	6
N-6509 (Back - 1/2" offset)	N-1	Roller	2	6
N-6510 (Front)	N-1	Roller	2	6
N-6511 (Back)	N-1	Roller	2	6
N-6512 (Front - 1/4" offset)	N-2	Roller	2	6
N-6513 (Back - 3/4" offset)	N-2	Roller	2	6
N-6514 (Back - 1-1/8" offset)	N-2	Roller	2	6
N-6515 (Back - 1-3/8" offset)	N-2	Roller	2	6
N-6516 (Front - 3/8" offset)	N-2	Roller	2	6
N-6517 (Back - 1/2" offset)	N-2	Roller	2	6
N-6518 (3/4" diameter)	N-8	Roller	1 pair	6
N-6519 (7/8" diameter)	N-8	Roller	1 pair	6
N-6520 (Front - 3/8" offset)	N-2	Roller	2	6
N-6521 (Back - 3/4" offset)	N-2	Roller	2	6
N-6522 (Front - 3/8" offset)	N-11	Roller	2	6
N-6523 (Back - 3/4" offset)	N-11	Roller	2	6
N-6524 (Front - 1/4" offset)	N-2	Roller	2	6
N-6525 (Back - 1/2" offset)	N-2	Roller	2	6
N-6526	N-12	Roller	2	6
N-6527	N-17	Roller	1	6
N-6528	N-17	Roller	1	6
N-6529	N-17	Roller	1	6
N-6530	N-58	Roller	2	6
N-6531	N-59	Roller	2	6
N-6532	N-18	Roller	2	6
N-6533	N-18	Roller	1	6
N-6534	N-18	Roller	1	6
N-6535	N-59	Roller	2	6
N-6536	N-59	Roller	2	6
N-6537	N-10	Guide	2	6

INDEX - Bi-passing, Bi-folding, & Pocket Door

Part No.	Page No.	Description	Package Quantity	Standard Pack
N-6538	N-49	Surface Aligner	1 set	6
N-6539	N-47	Slide Guide	2	6
N-6540	N-46	Two-Door Snugger	2	6
N-6541	N-47	Four-Door Snugger	2	6
N-6542	N-41	Pivot Bracket	1	6
N-6543	N-41	Pivot Bracket	1	6
N-6544	N-33	Guide Wheel	2	6
N-6545	N-35	Pivot	2	6
N-6546	N-37	Pivot	2	6
N-6547	N-37	Guide Wheel	2	6
N-6548	N-6	Roller	2	6
N-6549	N-6	Guide	2	6
N-6550	N-6	Roller	2	6
N-6551	N-6	Guide	2	6
N-6552	N-7	Roller	2	6
N-6553	N-7	Guide	2	6
N-6554	N-8	Roller	2	6
N-6555	N-10	Guide	2	6
N-6556 (Left)	N-8	Roller	1	6
N-6557 (Right)	N-8	Roller	1	6
N-6558	N-10	Guide	2	6
N-6559	N-7	Guide	1 set	6
N-6560	N-30	Guide	2	6
N-6561	N-32	Carpet Riser	1	6
N-6562 (3/4" high spacer pins)	N-31	Guide	2	6
N-6563	N-31	Guide	2	6
N-6564	N-31	Guide	2	6
N-6565	N-31	Guide	1	6
N-6566	N-61	Guide	1	6
N-6567	N-31	Guide	1 set	6
N-6568	N-21	Pole Sockets	1 set	6
N-6569	N-27	Mirror Door Roller Assembly	1	6
N-6570	N-27	Mirror Door Roller Assembly	1	6
N-6571	N-27	Mirror Door Roller Assembly	1	6
N-6572 (Nylon ball bearing)	N-27	Mirror Door Roller Assembly	1	6
N-6573 (Steel ball bearing)	N-27	Mirror Door Roller Assembly	1	6
N-6575	N-28	Mirror Door Roller Assembly	1	6
N-6576	N-28	Mirror Door Roller Assembly	1	6
N-6577	N-39	Pivot Bracket	1	6
N-6578	N-61	Guide	1	6
N-6579	N-36	Guide	4	6
N-6580	N-46	Two-Door Snugger	2	6
N-6581	N-47	Four Door Snugger	2	6
N-6582	N-33	Guide Wheel	2	6
N-6583	N-35	Pivot	2	6
N-6584	N-37	Pivot	2	6
N-6585	N-49	Surface Aligner	1 set	6
N-6586	N-41	Pivot Bracket	1	6
N-6587	N-41	Pivot Bracket	1	6
N-6588 (Front - 5/16" offset)	N-3	Roller	2	6
N-6589 (Back - 5/8" offset)	N-3	Roller	2	6
N-6590	N-13	Roller	2	6
N-6591	N-13	Roller	2	6
N-6592	N-13	Roller	2	6
N-6593	N-15	Roller	2	6

INDEX - Bi-passing, Bi-folding, & Pocket Door

Part No.	Page No.	Description	Package Quantity	Standard Pack
N-6594	N-13	Roller	2	6
N-6595	N-12	Roller	2	6
N-6596	N-16	Roller	2	6
N-6597	N-29	Mirror Door Guide	2	6
N-6598	N-23	Roller	1	6
N-6599	N-24	Roller	1	6
N-6601	N-23	Roller	1	6
N-6602	N-7	Roller	2	6
N-6603	N-7	Guide	2	6
N-6604 (5/8" stud length)	N-19	Roller	1	6
N-6605 (1-1/4" stud length)	N-19	Roller	1	6
N-6606	N-39	Pivot Bracket	1	6
N-6607	N-9	Roller	2	6
N-6608	N-9	Roller	2	6
N-6609	N-9	Guide	2	6
N-6611	N-34	Guide Wheel	2	6
N-6612	N-36	Pivot	2	6
N-6613	N-38	Pivot	2	6
N-6614	N-35	Guide Wheel	2	6
N-6615	N-58	Top Guide	1	6
N-6616	N-58	Bottom Guide	1	6
N-6617	N-55	Pivot & Guide Pin Cap	4	6
N-6619	N-59	Top Roller Assembly	1	6
N-6620	N-59	Top Assembly	1	6
N-6621	N-28	Mirror Door Roller Assembly	1	6
N-6622	N-12	Roller	2	6
N-6623	N-17	Roller	1	6
N-6624 (1-1/8" diameter - steel ball bearing)	N-27	Mirror Door Roller Assembly	1	6
N-6625 (1-1/4" diameter - nylon ball bearing)	N-27	Mirror Door Roller Assembly	1	6
N-6626 (1/4" offset)	N-3	Roller	2	6
N-6627 (1/2" offset)	N-3	Roller	2	6
N-6628 (3/4" offset)	N-3	Roller	2	6
N-6629	N-60	Roller	2	6
N-6630	N-25	Mirror Door Roller	1	6
N-6631	N-29	Mirror Door Guide & Bracket	2	6
N-6635	N-17	Roller Bracket	1	6
N-6636	N-39	Pivot Bracket	1	6
N-6637	N-53	Top Pivot	1	6
N-6638	N-52	Guide Pin	1	6
N-6639	N-53	Guide Pin	1	6
N-6640	N-39	Pivot Bracket	1	6
N-6641	N-49	Top Track Bumper	1	6
N-6642 (Old style)	N-57	Pivot Rod Clamp	1	6
N-6643	N-39	Pivot Bracket	1	6
N-6644	N-38	Pivot	1	6
N-6645	N-9	Roller	1	6
N-6646	N-50	Handle Assembly	1	6
N-6647	N-9	Guide	2	6
N-6648 (Front - 1/8" offset)	N-3	Roller	2	6
N-6649 (Back - 3/8" offset)	N-3	Roller	2	6
N-6650	N-4	Roller	2	6
N-6651 (1/4" offset)	N-10	Roller	2	6
N-6652 (1/2" offset)	N-10	Roller	2	6
N-6653 (3/4" offset)	N-10	Roller	2	6
N-6654	N-21	Pole Sockets	100 sets	1

INDEX - Bi-passing, Bi-folding, & Pocket Door

Part No.	Page No.	Description	Package Quantity	Standard Pack
N-6655	N-32	Bottom Guide Brackets	2	6
N-6656	N-49	Non-Mortise Hinge	2	6
N-6657	N-29	Mirror Door Guide and Bumper	2	6
N-6658	N-22	Jamb Bumper	4	6
N-6659	N-19	Roller	1 set	6
N-6660	N-55	Pivot & Guide Pin Cap	2	6
N-6661	N-32	Guide and Carpet Risers	1 set	6
N-6662	N-19	Top Mount Roller Bracket	1	6
N-6663	N-61	Roller	1	6
N-6664	N-32	Guides and Carpet Riser	1 set	6
N-6665	N-26	Mirror Door Roller Mounting Bracket	1	6
N-6666	N-13	Roller	2	6
N-6667 (Front - 1/4" offset)	N-3	Roller	2	6
N-6668 (Back - 1/2" offset)	N-3	Roller	2	6
N-6669 (1/2" offset)	N-12	Roller	2	6
N-6670	N-63	Roller Center Stop	1	6
N-6672	N-35	Pivot and Guide	4	6
N-6673	N-37	Pivot	2	6
N-6674	N-42	Pivot Bracket	1	6
N-6675	N-13	Roller	2	6
N-6676	N-16	Roller	2	6
N-6677	N-16	Roller	2	6
N-6678	N-16	Roller	2	6
N-6679	N-16	Roller	2	6
N-6680 (Steel ball bearing - flat edge wheel)	N-14	Roller	2	6
N-6681 (Nylon - grooved edge wheel)	N-14	Roller	2	6
N-6682 (Steel)	N-16	Roller	2	6
N-6683 (Nylon)	N-16	Roller	2	6
N-6684	N-14	Roller	2	6
N-6685	N-14	Roller	2	6
N-6686	N-14	Roller	2	6
N-6687	N-14	Roller	2	6
N-6688	N-15	Roller	2	6
N-6689	N-15	Roller	2	6
N-6690	N-15	Roller	2	6
N-6691	N-15	Roller	2	6
N-6692	N-15	Roller	2	6
N-6693	N-33	Top Guide	2	6
N-6696	N-37	Pivot	2	6
N-6697	N-42	Pivot Bracket	1	6
N-6698 (Brass finish)	N-20	Pull Handle	2	6
N-6699 (Brass finish)	N-21	Pull Handle	2	6
N-6700	N-35	Pivot	2	6
N-6701	N-36	Pivot and Guide	2	6
N-6702	N-36	Pivot	2	6
N-6703	N-34	Guide Wheel	2	6
N-6704	N-34	Guide Wheel	2	6
N-6705	N-34	Guide	2	6
N-6706	N-38	Pivot	2	6
N-6707	N-38	Pivot	2	6
N-6708	N-39	Pivot Insert	2	6
N-6709	N-40	Pivot Bracket	1	6
N-6710	N-40	Pivot Bracket	1	6
N-6711	N-42	Pivot Bracket	1	6
N-6712	N-40	Pivot Bracket	1	6

INDEX - Bi-passing, Bi-folding, & Pocket Door

Part No.	Page No.	Description	Package Quantity	Standard Pack
N-6713	N-40	Pivot Bracket	1	6
N-6714	N-42	Pivot Bracket Insert	2	6
N-6715 (Front - 1/8" offset)	N-2	Roller	2	6
N-6716 (Back - 1/2" offset)	N-2	Roller	2	6
N-6717 (Front - 5/16" offset)	N-3	Roller	2	6
N-6718 (Back - 9/16" offset)	N-3	Roller	2	6
N-6719 (Front - 1/8" offset)	N-4	Roller	2	6
N-6720 (Back - 7/16" offset)	N-4	Roller	2	6
N-6721 (Front - 1/8" offset)	N-4	Roller	2	6
N-6722 (Back - 1/2" offset)	N-4	Roller	2	6
N-6723	N-60	Roller Assembly	1	6
N-6724	N-60	Roller Assembly	1	6
N-6725	N-60	Roller Assembly	1	6
N-6726 (Back - 11/16"offset)	N-11	Roller	2	6
N-6727	N-53	Top Pivot	1	6
N-6728	N-53	Bottom Pivot	1	6
N-6729	N-52	Guide Pin	1	6
N-6730	N-52	Bottom Pivot	1	6
N-6731	N-52	Bottom Pivot	1	6
N-6732	N-52	Bottom Pivot	1	6
N-6733	N-52	Guide Pin	1	6
N-6734	N-53	Bottom Pivot	1	6
N-6735	N-53	Top Pivot	1	6
N-6736	N-53	Guide Pin	1	6
N-6737	N-53	Top Pivot	1	6
N-6738	N-53	Bottom Pivot	1	6
N-6739	N-53	Top Pivot	1	6
N-6740	N-53	Bottom Pivot	1	6
N-6741	N-52	Guide Pin	1	6
N-6742	N-52	Bottom Pivot	1	6
N-6743	N-53	Guide Pin	1	6
N-6744	N-53	Top Pivot	1	6
N-6745	N-54	Top Pivot	1	6
N-6746	N-54	Bottom Pivot	1	6
N-6747	N-52	Guide Pin	1	6
N-6748	N-52	Guide Pin	1	6
N-6749	N-57	Pivot Rod Clamp	1	6
N-6750	N-29	Mirror Door Top Guides	2	6
N-6751	N-57	Pivot Rod Adjustment Bracket	1	6
N-6752	N-57	Pivot Rod Adjustment Bracket	1	6
N-6753	N-57	Pivot Rod Tension Springs	2	6
N-6754	N-51	Knob	2	6
N-6755	N-51	Knob	2	6
N-6756	N-51	Knob	2	6
N-6757	N-51	Knob	2	6
N-6758	N-8	Roller	1 pair	6
N-6759	N-8	Guide	1 pair	6
N-6760 (1" high spacer pins)	N-31	Guide	2	6
N-6761 (1-1/4" high spacer pins)	N-31	Guide	2	6
N-6762	N-47	Four-Door Snugger	2	6
N-6763 (Antique brass finish)	N-20	Pull Handle	2	6
N-6764 (Antique brass finish)	N-21	Pull Handle	2	6
N-6765 (Brass finish)	N-20	Pull Handle	2	6
N-6766 (Antique brass finish)	N-20	Pull Handle	2	6
N-6767	N-30	Guide	2	6

INDEX - Bi-passing, Bi-folding, & Pocket Door

Part No.	Page No.	Description	Package Quantity	Standard Pack
N-6768	N-62	Flush Pull	1	6
N-6769	N-52	Guide Pin	1	6
N-6770 (Polished brass)	N-62	Combination Pull	1	6
N-6771 (Polished brass)	N-62	Privacy Lock	1	6
N-6773 (Chrome plated)	N-62	Privacy Lock	1	6
N-6774 (Antique brass plated)	N-62	Privacy Lock	1	6
N-6775	N-10	Guide	2	6
N-6776	N-54	Guide Pin	1	6
N-6777	N-54	Bottom Pivot	1	6
N-6778	N-54	Top Pivot	1	6
N-6779	N-54	Guide Pin	1	6
N-6780	N-54	Bottom Pivot	1	6
N-6781	N-54	Top Pivot	1	6
N-6782	N-36	Pivot	2	6
N-6783	N-53	Bottom Pivot	1	6
N-6784	N-44	Top Pivot	1	6
N-6785	N-44	Top Pivot	1	6
N-6786	N-44	Top Roller Guide	1	6
N-6787	N-56	Pivot & Guide Pin Cap	25	1
N-6788	N-55	Pivot & Guide Pin Cap	25	1
N-6789	N-55	Pivot & Guide Pin Cap	25	1
N-6790	N-26	Mirror Door Bottom Roller	1	6
N-6791	N-27	Mirror Door Top Guide	2	6
N-6792	N-40	Pivot Bracket	1	6
N-6793	N-53	Guide Pin	1	6
N-6794	N-21	Pole Sockets	1 set	6
N-6795	N-32	Carpet Riser	1	6
N-6796	N-30	Guide	1	6
N-6797	N-45	Pivot Pin Mounting Plate	4	6
N-6798	N-40	Pivot Bracket	1	6
N-6799	N-46	Two-Door Snugger	2	6
N-6800	N-47	Four-Door Snugger	2	6
N-6801	N-53	Guide Pin	1	6
N-6802	N-42	Pivot Bracket	1	6
N-6803	N-20	Top Mount Roller Bracket	1	6
N-6804	N-52	Guide Pin	1	6
N-6805	N-52	Top Pivot	1	6
N-6806	N-54	Guide Pin	1	6
N-6807	N-54	Guide Pin	1	6
N-6808	N-52	Top Pivot	1	6
N-6809	N-53	Top Pivot	1	6
N-6810	N-53	Top Pivot	1	6
N-6811	N-53	Bottom Pivot	1	6
N-6812	N-53	Top Pivot	1	6
N-6813	N-52	Guide Pin	1	6
N-6814	N-42	Pivot Bracket	1	6
N-6815	N-47	Four-Door Snugger	2	6
N-6816	N-55	Pivot & Guide Pin Cap	4	6
N-6817	N-24	Mirror Door Roller	1	6
N-6818	N-24	Mirror Door Top Guide	2	6
N-6819	N-49	Bi-fold Door Snugger	2	6
N-6820	N-24	Mirror Door Roller	1	6
N-6821	N-25	Mirror Door Top Guide	2	6
N-6823	N-43	Pivot Bracket	1	6
N-6824	N-38	Pivot Wrench	1	6

INDEX - Bi-passing, Bi-folding, & Pocket Door

Part No.	Page No.	Description	Package Quantity	Standard Pack
N-6825	N-46	Two-Door Snigger	2	6
N-6826	N-21	Pull Handle	2	6
N-6827	N-52	Guide Pin	1	6
N-6828	N-43	Pivot Bracket	1	6
N-6829	N-22	Adhesive Bumpers	4	6
N-6830	N-4	Roller	2	6
N-6831	N-44	Top Pivot	1	6
N-6832	N-45	Top Guide	1	6
N-6833	N-45	Top Guide	1	6
N-6834	N-45	Bottom Pivot	1	6
N-6835	N-50	Shutter Hinge	2	6
N-6836	N-43	Heavy Duty Pivot Bracket	1	6
N-6837	N-43	Pivot Bracket	1	6
N-6838	N-49	Bumper	1	6
N-6839	N-48	Bi-fold Door Spring	1	6
N-6840 (Front - 1/16" offset)	N-4	Roller	2	6
N-6841 (Back - 3/8" offset)	N-4	Roller	2	6
N-6842	N-45	Bottom Pivot Bracket	1	6
N-6843	N-45	Top Pivot Bracket	1	6
N-6844	N-41	Pivot Bracket	1	6
N-6845	N-33	"Jump-Proof" Guard	4	6
N-6846 (Brass finish)	N-20	Finger Pull	4	6
N-6847 (3/4" diameter)	N-18	Roller	2	6
N-6848 (1" diameter)	N-18	Roller	2	6
N-6849	N-8	Roller	1 set	6
N-6860	N-52	Top Pivot	1	6
N-6861	N-24	Mirror Door Roller	1	6
N-6862	N-56	Pivot & Guide Pin Cap	25	1
N-6863	N-56	Pivot & Guide Pin Cap	25	1
N-6864	N-56	Pivot & Guide Pin Cap	25	1
N-6865 (New style)	N-57	Pivot Rod Clamp	1	6
N-6866	N-55	Pivot & Guide Pin Cap	25	1
N-6867	N-5	Roller	2	6
N-6868 (Chrome finish)	N-20	Pull Handle	2	6
N-6869 (Chrome finish)	N-21	Pull Handle	2	6
N-6870 (Concave roller)	N-25	Mirror Door Roller	1	6
N-6871	N-51	Knob	2	6
N-6872	N-26	Mirror Door Roller Mounting Bracket	1	6
N-6873	N-18	Roller	1	6
N-6887 (Front - 3/8" offset)	N-5	Roller	2	6
N-6888 (Back - 3/4" offset)	N-5	Roller	2	6
N-6889	N-48	Bottom Slide Guide	2	6
N-6890	N-26	Mirror Door Top Guide	2	6
N-6891 (Front)	N-19	Side Mount Roller Bracket	1	6
N-6892 (Back)	N-19	Side Mount Roller Bracket	1	6
N-6893 (Nickel-plated finish)	N-20	Finger Pull	4	6
N-6894 (Steel)	N-63	Bi-Pass Door Track	1	4
N-6895	N-58	Top & Bottom Guide Set (N-6615 & N-6616)	1 set	6
N-6897	N-55	Pivot & Guide Pin Cap	4	6
N-6898 (Front - 1/16" offset)	N-5	Roller	2	6
N-6899 (Back - 3/8" offset)	N-5	Roller	2	6
N-6900	N-33	Carpet Riser	5	6
N-6901	N-55	Pivot & Guide Pin Cap	4	6
N-6902	N-55	Pivot & Guide Pin Cap	4	6
N-6903	N-55	Pivot & Guide Pin Cap	4	6

INDEX - Bi-passing, Bi-folding, & Pocket Door

Part No.	Page No.	Description	Package Quantity	Standard Pack
N-6904	N-55	Pivot & Guide Pin Cap	4	6
N-6905	N-55	Pivot & Guide Pin Cap	4	6
N-6906	N-55	Pivot & Guide Pin Cap	4	6
N-6907	N-55	Pivot & Guide Pin Cap	4	6
N-6908	N-55	Pivot & Guide Pin Cap	4	6
N-6909	N-55	Pivot & Guide Pin Cap	4	6
N-6910	N-56	Pivot & Guide Pin Cap	4	6
N-6911	N-56	Pivot & Guide Pin Cap	4	6
N-6912	N-56	Pivot & Guide Pin Cap	4	6
N-6913	N-5	Roller	2	6
N-6914	N-6	Guide	2	6
N-6915 (Front - 3/16" offset)	N-11	Roller	2	6
N-6916	N-56	Pivot & Guide Pin Cap	25	1
N-6917	N-56	Pivot & Guide Pin Cap	4	6
N-6918	N-56	Pivot & Guide Pin Cap	25	1
N-6919	N-56	Pivot & Guide Pin Cap	4	6
N-6922	N-55	Pivot & Guide Pin Cap	25	1
N-6923	N-56	Pivot & Guide Pin Cap	2	6
N-6925 (Front - 1/4" offset)	N-5	Roller	2	6
N-6926 (Back - 1/2" offset)	N-5	Roller	2	6
N-6927	N-56	Pivot & Guide Pin Cap	4	6
N-6928	N-56	Pivot & Guide Pin Cap	25	1
N-6930	N-51	Knob	2	6
N-6931	N-38	Pivot	2	6
N-6932	N-43	Pivot Bracket	1	6
N-6933	N-20	Pull Handle	2	6
N-6934 (Front - 1/16" offset)	N-1	Roller	2	6
N-6935 (Back - 3/8" offset)	N-1	Roller	2	6
N-6936	N-50	Non-Mortise Hinge	1 pair	6
N-6938	N-60	Roller Assembly	2	6
N-6942	N-30	Mirror Door Pull	2	6
N-6945	N-26	Mirror Door Top Guide	2	6
N-6946	N-28	Mirror Door Roller Assembly	1	6
N-6947	N-44	Pivot Bracket	1	6
N-6948	N-56	Pivot & Guide Pin Cap	4	6
N-6949	N-48	Four-Door Snugger	2	6
N-6950	N-61	Guide	2	6
N-6951	N-63	Thread Insert	4	6
N-6952	N-25	Mirror Door Roller	1	6
N-6953 (Tan)	N-34	Guide Wheel	2	6
N-6954	N-45	Pivot Pin Mounting Plate	2	6
N-6962	N-43	Pivot Bracket & Pin Kit	2	6
N-6963 (Narrow style - flat edge roller)	N-25	Mirror Door Roller	1	6
N-6965	N-28	Mirror Door Roller Assembly	1	6
N-6966	N-51	Knob	2	6
N-6967	N-50	Light Duty Hinge	1 pair	6
N-6968 (Polished Gold)	N-29	Mirror Door Pull	1	6
N-6969 (Chrome)	N-29	Mirror Door Pull	1	6
N-6970 (Bronze)	N-29	Mirror Door Pull	1	6
N-6971 (White)	N-29	Mirror Door Pull	1	6
N-6972 (Polished Gold)	N-30	Mirror Door Pull	1	6
N-6973 (Chrome)	N-30	Mirror Door Pull	1	6
N-6974 (Bronze)	N-30	Mirror Door Pull	1	6
N-6975 (White)	N-30	Mirror Door Pull	1	6
N-6977 (Front - 3/16" offset)	N-12	Roller	2	6

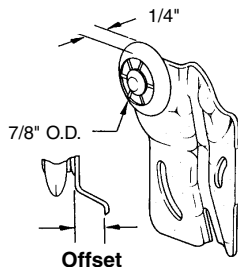
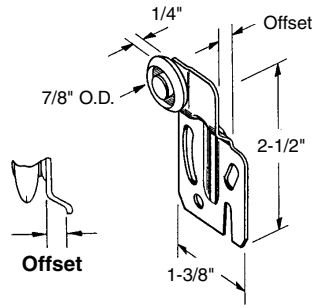
INDEX - Bi-passing, Bi-folding, & Pocket Door

Part No.	Page No.	Description	Package Quantity	Standard Pack
N-6978 (Back - 7/16" offset)	N-12	Roller	2	6
N-6979	N-62	Pull	1	6
N-6980 (White)	N-22	Pole Sockets	1 set	6
N-6982	N-36	Pivot	2	6
N-6983	N-46	Two-Door Snugger	2	6
N-6984	N-48	Four-Door Snugger	2	6
N-6985	N-46	Two-Door Snugger	2	6
N-6986	N-48	Four-Door Snugger	2	6
N-6987 (Brass finish)	N-21	Pole Sockets	1 set	6
N-6988	N-17	Roller	1	6
N-6989	N-14	Roller	1	6
N-6990	N-61	Roller	1	6
N-6991 (1/4" inside diameter)	N-58	Nyliner	50	6
N-6992	N-44	Pivot Bracket & Pin Kit	1	6
N-7010 (Bright brass finish)	N-21	Pull Handle	2	6
N-7012	N-23	Door Bumper	1	6
N-7015	N-62	Side Adjusting Guide	2	6
N-7023	N-23	Door Stop	1	6
N-7024	N-23	Jamb Bumper	4	6
N-7025	N-50	Hinge	1 pair	6
N-7030 (Front - ball bearing wheel - 1/4" offset)	N-1	Roller	2	6
N-7031 (Back - ball bearing wheel - 1/2" offset)	N-1	Roller	2	6
N-7032 (Front - ball bearing wheel - 1/4" offset)	N-11	Roller	2	6
N-7033 (Back - ball bearing wheel - 1/2" offset)	N-11	Roller	2	6
N-7034 (Front - ball bearing wheel - 1/4" offset)	N-1	Roller	2	6
N-7035 (Back - ball bearing wheel - 1/2" offset)	N-1	Roller	2	6
N-7036 (Front - ball bearing wheel - 1/4" offset)	N-11	Roller	2	6
N-7037 (Back - ball bearing wheel - 1/2" offset)	N-11	Roller	2	6
N-7038	N-55	Pivot & Guide Pin Cap	25	1
N-7039	N-55	Pivot & Guide Pin Cap	25	1
N-7040	N-55	Pivot & Guide Pin Cap	25	1
N-7041	N-55	Pivot & Guide Pin Cap	25	1
N-7051	N-55	Pivot & Guide Pin Cap	25	1
N-7052	N-55	Pivot & Guide Pin Cap	25	1
N-7053	N-55	Pivot & Guide Pin Cap	25	1
N-7054	N-55	Pivot & Guide Pin Cap	25	1
N-7055	N-56	Pivot & Guide Pin Cap	25	1
N-7056	N-56	Pivot & Guide Pin Cap	25	1
N-7057	N-56	Pivot & Guide Pin Cap	10	1
N-7058	N-56	Pivot & Guide Pin Cap	25	1
N-7059	N-56	Pivot & Guide Pin Cap	4	1
N-7060	N-56	Pivot & Guide Pin Cap	4	1
N-7061	N-56	Pivot & Guide Pin Cap	4	1
N-7062	N-56	Pivot & Guide Pin Cap	4	1
N-7063	N-56	Pivot & Guide Pin Cap	25	1
N-7067 (5/16" inside diameter)	N-58	Nyliner	50	1
N-7080 (Antique brass plated)	N-62	Pull	1	6
N-7081 (Chrome plated)	N-20	Pull Handle	2	6
N-7082	N-55	Pivot & Guide Pin Cap	25	1
N-7084 (Extruded aluminum)	N-63	Bi-Pass Door Track	1	2
N-7085 (Chrome plated)	N-62	Pull	1	6
N-7087	N-19	Roller	1 set	6
N-7088 (Front)	N-19	Roller Bracket	1	6
N-7089 (Back)	N-19	Roller Bracket	1	6
N-7090	N-19	Top Mount Roller Bracket	1	6

INDEX - Bi-passing, Bi-folding, & Pocket Door

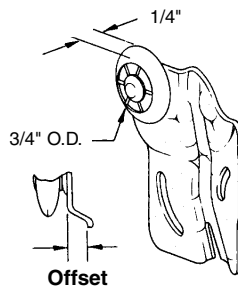
Part No.	Page No.	Description	Package Quantity	Standard Pack
N-7091	N-12	Roller	2.....	6
N-7092	N-12	Roller	2.....	6
N-7099	N-22	Shelf & Rod Support Bracket.....	1.....	40
N-7100	N-22	Shelf & Rod Support Bracket.....	1.....	20
N-7101	N-22	Shelf & Rod Support Bracket.....	1.....	20

N-6500
N-6501
N-7030
N-7031

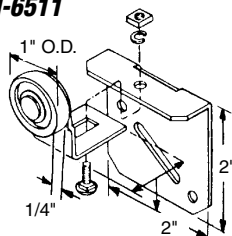


N-6504
N-6505
N-7034
N-7035

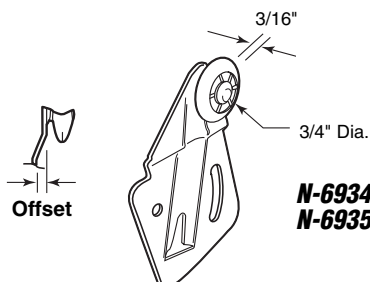
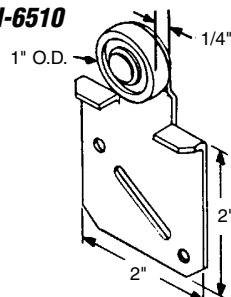
N-6508
N-6509



N-6511



N-6510



N-6934
N-6935

N-6500 (Front - 1/4" offset)

N-6501 (Back - 1/2" offset)

N-7030 (Front - ball bearing wheel - 1/4" offset)

N-7031 (Back - ball bearing wheel - 1/2" offset)

Roller

Contents: 2 roller assemblies; 6 no. 8 x 3/4" Phillips pan head sheet metal screws.

Description: Single wheel; top hung; side mounting; offset adjustable **steel** bracket; **round edge nylon** wheel; fits 3/4" to 1-3/8" thick doors; fits on **Acme**.

Note: **N-7030 & N-7031** have **nickel plated steel** brackets & are supplied with **free door bumper** (N-6658).

N-6504 (Front - 1/4" offset)

N-6505 (Back - 1/2" offset)

N-7034 (Front - ball bearing wheel - 1/4" offset)

N-7035 (Back - ball bearing wheel - 1/2" offset)

Roller

Contents: 2 roller assemblies; 4 no. 8 x 3/4" Phillips pan head sheet metal screws.

Description: Single wheel; top hung; side mounting; offset adjustable **steel** bracket; **round edge nylon** wheel; fits 3/4" to 1-3/8" thick doors; fits on **Cox**.

Note: **N-7034 & N-7035** have **nickel plated steel** brackets & are supplied with **free door bumper** (N-6658).

N-6508 (Front - 1/4" offset)

N-6509 (Back - 1/2" offset)

Roller

Contents: 2 roller assemblies; 4 no. 8 x 3/4" Phillips pan head sheet metal screws.

Description: Single wheel; top hung; side mounting; offset adjustable **steel** bracket; 3/4" diameter, **round edge nylon** wheel; fits 3/4" to 1-3/8" thick bi-passing doors up to 50 lbs. each; fits on **Cox**.

N-6510 (Front)

N-6511 (Back)

Roller

Contents: 2 roller assemblies; 6 no. 8 x 3/4" Phillips pan head sheet metal screws.

Description: Single wheel; top hung; side mounting; offset adjustable **steel** bracket; **flat edge nylon** wheel; fits 1/2" to 1-3/8" thick bi-passing doors; 50 lbs. capacity.

You may also wish to stock these related parts: **N-6562**.

N-6934 (Front - 1/16" offset)

N-6935 (Back - 3/8" offset)

Roller

Contents: 2 roller assemblies; 4 no. 8 x 3/4" Phillips pan head sheet metal screws.

Description: Single wheel; top hung; side mounting; offset adjustable **steel** bracket; 3/4" diameter, **round edge nylon** wheel; fits 3/4" to 1-3/8" thick bi-passing doors up to 50 lbs. each.

Bi-pass Door Hardware

N-6512 (Front - 1/4" offset)

N-6513 (Back - 3/4" offset)

N-6514 (Back - 1-1/8" offset)

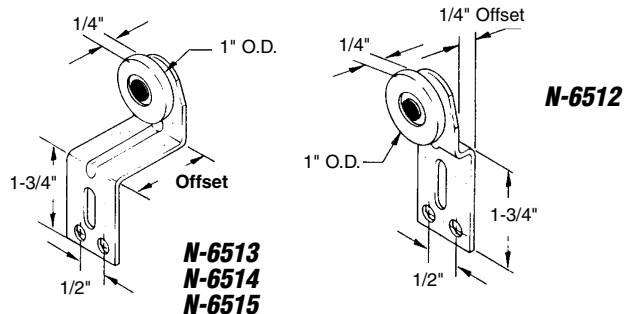
N-6515 (Back - 1-3/8" offset)

Roller

Contents: 2 roller assemblies; 6 no. 8 x 3/4" Phillips pan head sheet metal screws.

Description: Single wheel; top hung; side mounting; offset adjustable **steel** bracket; **round edge nylon** wheel; fits 3/4" to 1-3/8" thick doors; fits on **Cox**.

You may also wish to stock these related parts: **N-6562**.



N-6715 (Front - 3/16" offset)

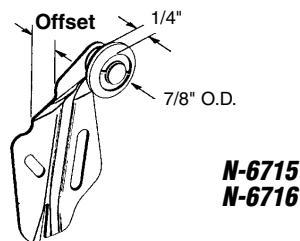
N-6716 (Back - 1/2" offset)

Roller

Contents: 2 roller assemblies; 4 no. 8 x 3/4" Phillips pan head sheet metal screws.

Description: Top hung; 7/8" diameter **nylon** wheel; adjustable **steel** bracket; for bi-passing doors; fits on **Alliance**.

You may also wish to stock these related parts: **N-6562**.



N-6516 (Front - 3/8" offset)

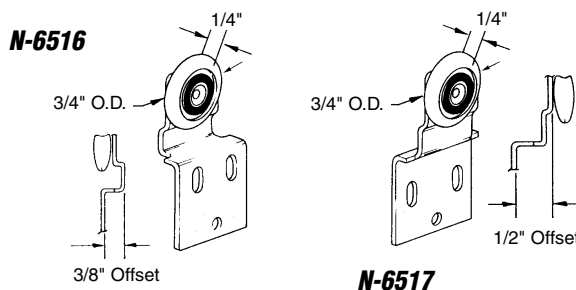
N-6517 (Back - 1/2" offset)

Roller

Contents: 2 roller assemblies; 6 no. 4 x 3/4" Phillips pan head sheet metal screws.

Description: Single wheel; top hung; side mounting; offset adjustable **steel** bracket; **round edge nylon ball bearing** wheel; fits 3/4" to 1-3/8" thick doors.

You may also wish to stock these related parts: **N-6562**.



N-6520 (Front - 3/8" offset)

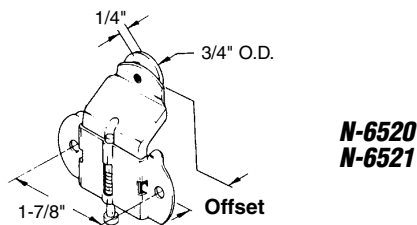
N-6521 (Back - 3/4" offset)

Roller

Contents: 2 roller assemblies; 4 no. 8 x 3/4" Phillips pan head sheet metal screws.

Description: Single wheel; top hung; side mounting; offset adjustable **steel** bracket; **round edge nylon** wheel; fits 3/4" to 1-3/8" thick doors; fits on **Harvey**.

You may also wish to stock these related parts: **N-6562**.



N-6524 (Front - 1/4" offset)

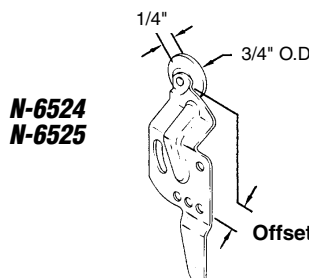
N-6525 (Back - 1/2" offset)

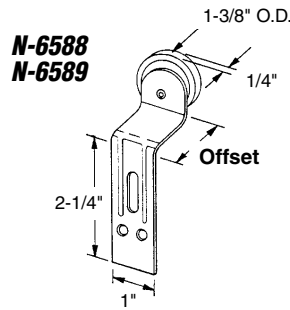
Roller

Contents: 2 roller assemblies; 4 no. 8 x 3/4" Phillips pan head sheet metal screws.

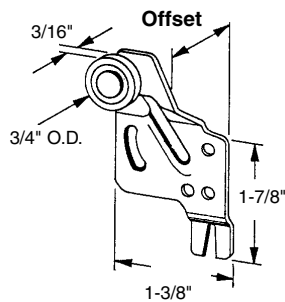
Description: Single wheel; top hung; side mounting; offset adjustable **steel** bracket; **round edge nylon** wheel; fits 3/4" to 1-3/8" thick doors; fits on **Harvey**.

You may also wish to stock these related parts: **N-6562**.

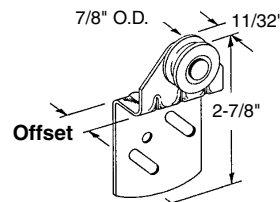




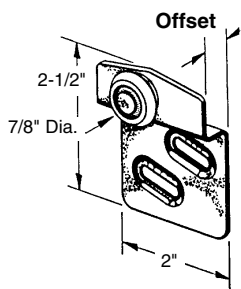
N-6588
N-6589



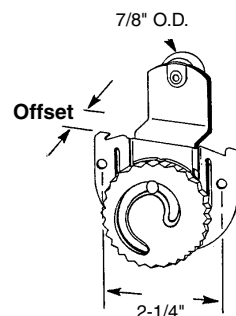
N-6626
N-6627
N-6628



N-6717
N-6718



N-6667
N-6668



N-6648
N-6649

N-6588 (Front - 5/16" offset)

N-6589 (Back - 5/8" offset)

Roller

Contents: 2 roller assemblies; 6 no. 8 x 3/4" Phillips flat head sheet metal screws.

Description: Single wheel; top hung; side mounting; offset adjustable **steel** bracket; **flat edge nylon** wheel; fits 3/4" to 1-3/8" thick doors; 50 lbs. capacity.

You may also wish to stock these related parts: **N-6560**, **N-6562**, **N-6563**.

N-6626 (1/4" offset)

N-6627 (1/2" offset)

N-6628 (3/4" offset)

Roller

Contents: 2 roller assemblies; 4 no. 8 x 3/4" Phillips pan head sheet metal screws.

Description: Single **flat edge nylon** wheel; top hung; side mounting; offset adjustable **steel** bracket; fits 3/4" to 1-3/8" thick doors; fits on **Atlas**.

You may also wish to stock these related parts: **N-6562**.

N-6717 (Front - 5/16" offset)

N-6718 (Back - 9/16" offset)

Roller

Contents: 2 roller assemblies; 6 no. 8 x 3/4" Phillips pan head sheet metal screws.

Description: Top hung; center groove 7/8" diameter **nylon** wheel; adjustable **steel** bracket; used on **old style Kenna Frame**.

You may also wish to stock these related parts: **N-6562**.

N-6667 (Front - 1/4" offset)

N-6668 (Back - 1/2" offset)

Roller

Contents: 2 roller assemblies; 4 no. 8 x 3/4" Phillips pan head sheet metal screws.

Description: Single **round edge nylon** wheel; side mounting adjustable **steel** bracket; for 3/4" to 1-3/8" thick doors up to 90 lbs. each; fits on **Atlas**.

You may wish to stock these related parts: **N-6560**, **N-6669**.

N-6648 (Front - 1/8" offset)

N-6649 (Back - 3/8" offset)

Roller

Contents: 2 roller assemblies with installation screws.

Description: Single wheel; top hung; 7/8" diameter **nylon** wheel; **stamped steel** bracket with **nylon** adjusting wheel; for 3/4" to 1-3/8" thick doors; fits on **Stanley**.

You may also wish to stock these related parts: **N-6562**.

N-6650

Roller

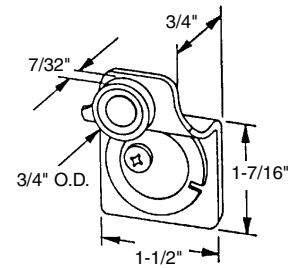
Contents: 2 roller assemblies with installation screws.

Description: Single wheel; top hung; 3/4" diameter nylon; adjustable stamped steel bracket; for 3/4" to 1-3/8" thick doors; fits on *Atlas*.

You may also wish to stock these related parts: **N-6562**, **N-6651**.

Call for
Availability

N-6650



N-6719 (Front - 1/8" offset)

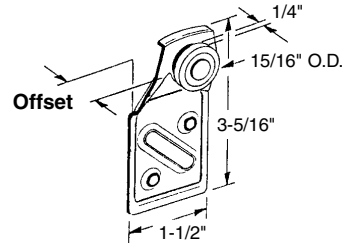
N-6720 (Back - 7/16" offset)

Roller

Contents: 2 roller assemblies; 6 no. 8 x 3/4" Phillips pan head sheet metal screws.

Description: Top hung; 15/16" diameter flat edge nylon wheel; adjustable steel bracket; fits on *Kenna Frame*.

You may also wish to stock these related parts: **N-6562**.



N-6719
N-6720

N-6721 (Front - 1/8" offset)

N-6722 (Back - 1/2" offset)

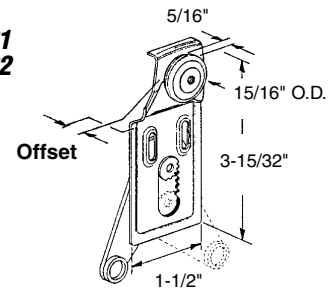
Roller

Contents: 2 roller assemblies; 6 no. 8 x 3/4" Phillips pan head sheet metal screws.

Description: Top hung; side mount; 15/16" diameter nylon ball bearing wheel; steel bracket; with nylon adjustment arm; fits on *Kenna Frame*.

You may also wish to stock these related parts: **N-6562**.

N-6721
N-6722



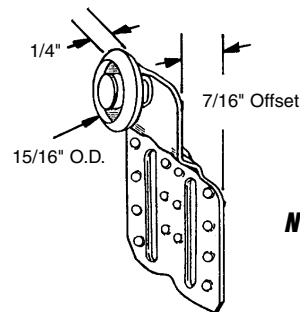
N-6830

Roller

Contents: 2 roller assemblies; 4 no. 8 x 3/4" Phillips pan head sheet metal screws.

Description: Single wheel; top hung; 7/16" offset, adjustable steel bracket; oval edge nylon wheel; fits 3/4" to 1-3/8" thick doors; originally fits on *Superior Door*.

You may also wish to stock these related parts: **N-6560**.



N-6830

N-6840 (Front - 1/16" offset)

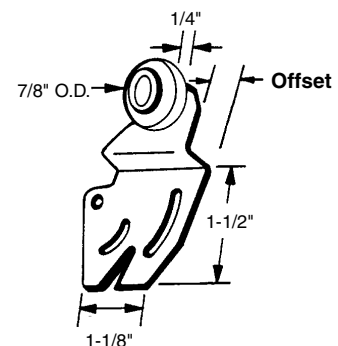
N-6841 (Back - 3/8" offset)

Roller

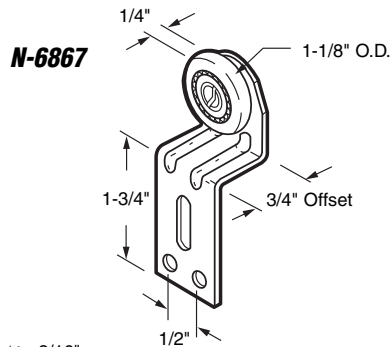
Contents: 2 rollers assemblies; 4 installation screws.

Description: Single wheel; top hung; side mounting; 1/16" offset adjustable steel bracket; flat edge nylon wheel; fits 3/4" or 1-3/8" thick doors; fits on *Johnson Hardware*.

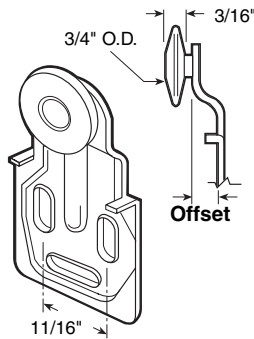
You may also wish to stock these related parts: **N-6795**, **N-6796**.



N-6840
N-6841

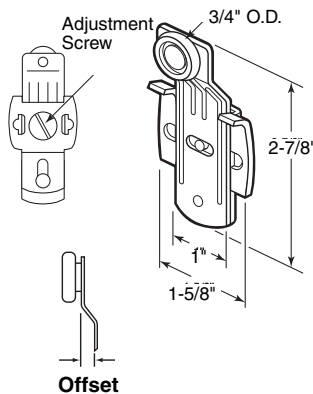
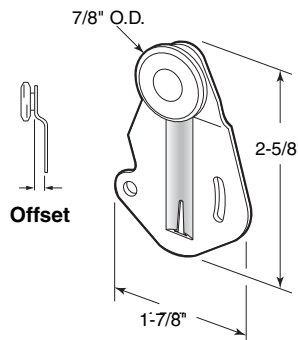


N-6867



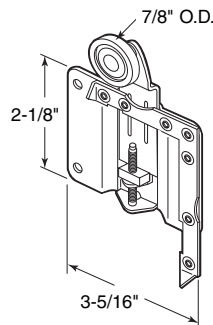
N-6887
N-6888

N-6898
N-6899



N-6925
N-6926

N-6913



N-6867

Roller

Contents: 2 rollers assemblies; 6 no. 8 x 3/4" Phillips pan head sheet metal screws.

Description: Top hung; 1-1/8" diameter **flat edge nylon** wheel; adjustable **steel** bracket.

You may also wish to stock these related parts: **N-6562**, **N-6720**.

N-6887 (Front - 3/8" offset)

N-6888 (Back - 1/2" offset)

Roller

Contents: 2 roller assemblies; 6 no. 8 x 3/4" Phillips pan head sheet metal screws.

Description: Top hung; 3/4" x 3/32" diameter **thin nylon** wheel; adjustable **steel** bracket.

N-6898 (Front - 1/16" offset)

N-6899 (Back - 3/8" offset)

Roller

Contents: 2 roller assemblies; 4 no. 8 x 3/4" Phillips pan head sheet metal screws.

Description: Top hung; 7/8" diameter **oval edge nylon** wheel; for "V" track; adjustable **steel** bracket; fits on **Johnson Hardware**.

N-6925 (Front - 1/4" offset)

N-6926 (Back - 1/2" offset)

Roller

Contents: 2 roller assemblies

Description: Top hung; 3/4" diameter **oval edge nylon** wheel; **steel** bracket with vertical height adjustment screw; used on **Sterling** track systems.

You may wish to stock these related parts: **N-6562**.

N-6913

Roller

Contents: 2 roller assemblies

Description: Top hung; 7/8" diameter **flat edge nylon** wheel; **steel** bracket; also acts as corner bracket for steel frame bi-passing doors; used on **Johnson Panel Jacket** door systems.

You may wish to stock these related parts: **N-6914** & **N-6796**.

N-6914

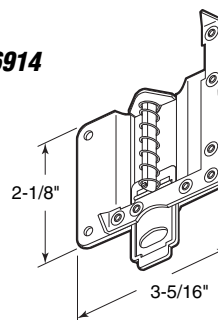
Guide

Contents: 2 guide assemblies.

Description: Bottom mount; adjustable **steel** bracket with **nylon** guide; also acts as corner bracket for steel frame bi-passing doors; used on **Johnson Panel Jacket** doors.

You may wish to stock these related parts: **N-6913 & N-6796.**

N-6914



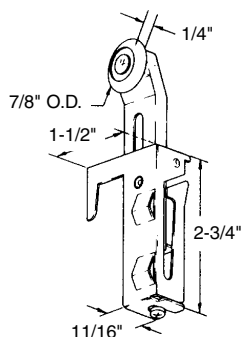
N-6548

Roller

Contents: 2 roller assemblies, 1 left and 1 right.

Description: Single wheel; top mounting; adjustable **steel** bracket; also acts as corner bracket for steel frame bi-passing doors; 7/8" diameter **round edge nylon** wheel; fits on **Acme.**

You may wish to stock these related parts: **N-6549.**



N-6548

Left Hand Shown

N-6549

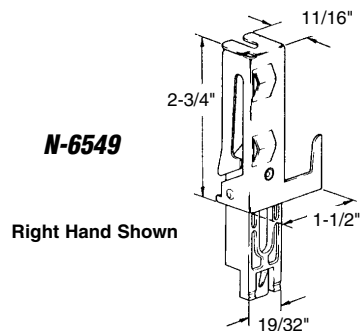
Guide

Contents: 2 guide assemblies, 1 left and 1 right.

Description: Bottom mount; adjustable **steel** bracket with **nylon** guide; also acts as corner bracket for steel frame bi-passing doors; fits on **Acme.**

You may wish to stock these related parts: **N-6548.**

N-6549



Right Hand Shown

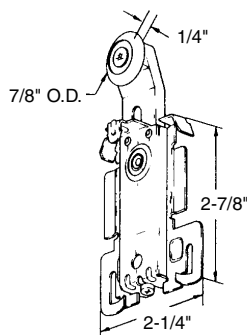
N-6550

Roller

Contents: 2 roller assemblies.

Description: Single wheel; top mounting; adjustable **steel** bracket; also acts as corner bracket for steel frame bi-passing door; 7/8" diameter **round edge nylon** wheel; fits on **Acme.**

You may wish to stock these related parts: **N-6551.**



N-6550

N-6551

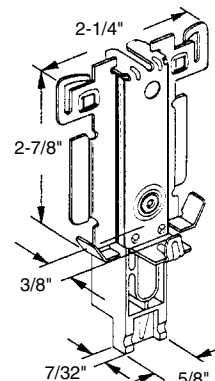
Guide

Contents: 2 guide assemblies.

Description: Bottom mount; adjustable **steel** bracket with **nylon** guide; also acts as corner bracket for steel frame bi-passing doors; fits **Acme.**

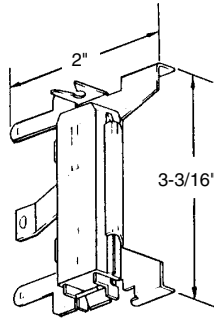
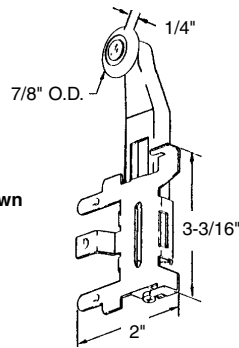
You may wish to stock these related parts: **N-6550.**

N-6551



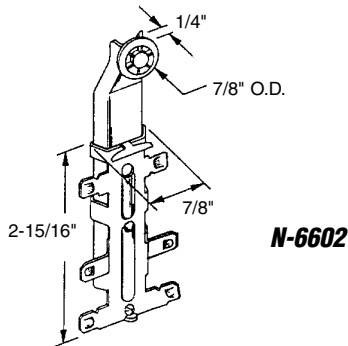
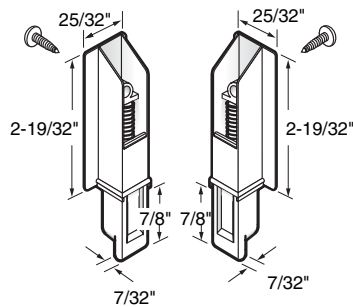
N-6552

Left Hand Shown



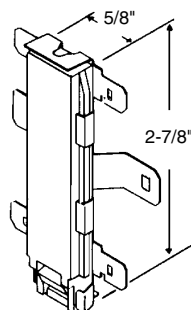
N-6553
Left Hand Shown

N-6559



N-6602

N-6603



N-6552

Roller

Contents: 2 roller assemblies, 1 left and 1 right.

Description: Single wheel; side mounting; adjustable snap-in steel bracket; 7/8" diameter **round edge nylon** wheel; designed for steel frame bi-passing doors; fits on **Cox**.

You may wish to stock these related parts: **N-6553**, **N-6554**, **N-6555**.

N-6553

Guide

Contents: 2 guide assemblies, 1 left and 1 right.

Description: Bottom mount; snap-in steel bracket with nylon guide; for steel frame bi-passing doors; fits on **Cox**.

You may also wish to stock these related parts: **N-6552**.

Note: N-6555 replacement guide only.

N-6559

Guide

Contents: 1 set bottom guide assemblies; 1 left and 1 right; 2 no. 10 x 1/2" Phillips pan head sheet metal screws.

Description: Nylon, spring loaded bracket and guide; side mount.

N-6602

Roller

Contents: 2 roller assemblies.

Description: Single wheel; top mounting; adjustable steel bracket; 7/8" diameter **round edge nylon** wheel; designed for steel frame bi-passing doors; fits on **Cox**.

You may also wish to stock these related parts: **N-6603**.

N-6603

Guide

Contents: 2 guide assemblies

Description: Bottom mounts; snap-in steel bracket with nylon guide; designed for steel frame bi-passing doors; fits on **Cox**.

You may also wish to stock these related parts: **N-6602**, **N-6554**, **N-6560**.

Note: N-6775 replacement guide only.

N-6758

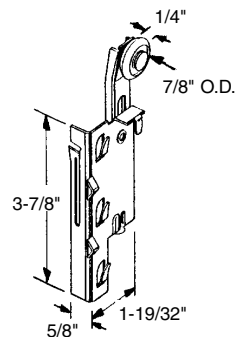
Roller

Contents: 1 left hand and 1 right hand roller assemblies.

Description: Single wheel; side mount; adjustable snap-in steel bracket; 7/8" diameter round edge nylon wheel; designed for steel frame doors; used on *Acme series "4000"*.

You may also wish to stock these related parts: **N-6658, N-6759.**

N-6758



N-6759

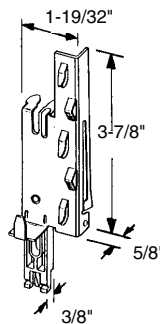
Guide

Contents: 1 left hand and 1 right hand guide assemblies.

Description: Bottom mount; snap-in steel bracket with nylon guide; for steel frame bi-passing doors; used on *Acme series "4000"*.

You may also wish to stock these related parts: **N-6658, N-6758.**

N-6759



N-6518 (3/4" diameter)

N-6519 (7/8" diameter)

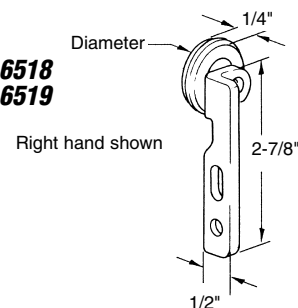
Roller

Contents: 1 left hand and 1 right hand roller assemblies; 4 no. 6 x 3/4" Phillips pan head sheet metal screws.

Description: Single wheel; top hung; side mounting; offset adjustable steel bracket; round edge nylon ball bearing wheel; fits 3/4" to 1-1/4" thick doors.

You may wish to stock these related parts: **N-6565, N-6566.**

**N-6518
N-6519**



N-6554

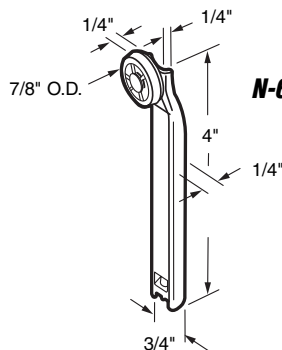
Roller

Contents: 2 roller assemblies.

Description: Single wheel; top hung; side mounting; steel bracket; 7/8" diameter round edge nylon wheel.

You may wish to stock these related parts: **N-6602, N-6603, N-6775.**

N-6554



N-6556 (Left)

N-6557 (Right)

N-6849 (1 left & 1 right)

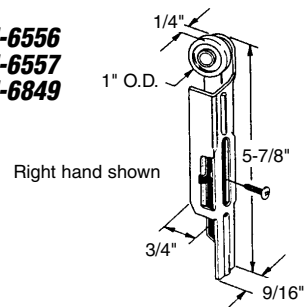
Roller

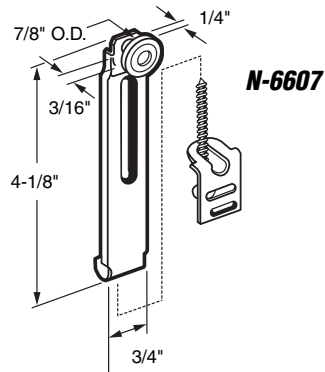
Contents: 1 roller assembly; 1 no. 12 x 1/2" Phillips pan head sheet metal screws.

Description: Single wheel; top hung; adjustable steel bracket mounts inside of door frame; 1" diameter flat edge nylon wheel; fits on *Like*.

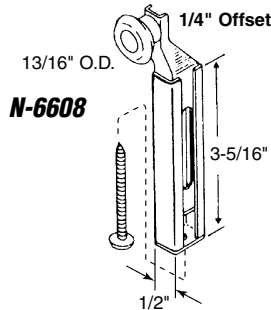
You may wish to stock these related parts: **N-6558, N-6559.**

**N-6556
N-6557
N-6849**

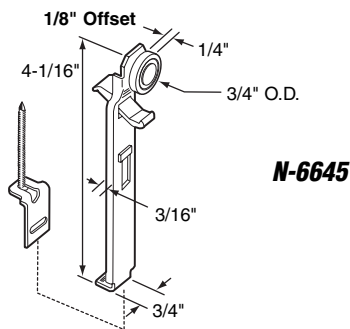




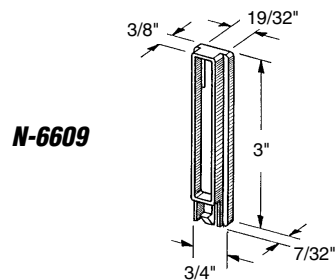
N-6607



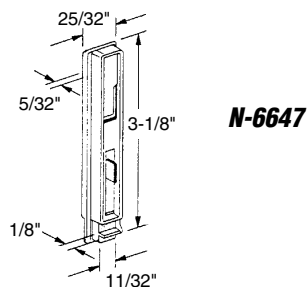
N-6608



N-6645



N-6609



N-6647

N-6607

Roller

Contents: 2 roller assemblies; 2 no. 8 x 1-3/4" Phillips pan head sheet metal screws.

Description: Single wheel; top hung; adjustable **steel** bracket; 7/8" diameter **round edge nylon** wheel; 3/16" wide, edge rail.

You may wish to stock these related parts: **N-6560, N-6563, N-6645.**

N-6608

Roller

Contents: 2 roller assemblies; 2 no 8 x 3/4" Phillips pan head sheet metal screws.

Description: Single wheel; top hung; offset adjustable **steel** bracket; 13/16" diameter **nylon round edge** wheel; used on **Steward** wardrobe doors.

Call for Availability

N-6645

Roller

Contents: 1 roller; 1 adjustment bracket with screw.

Description: Single wheel; top hung; **steel** bracket with **nylon** anti-jump guide; 3/16" wide, rail edge; 3/4" diameter **flat edge nylon** wheel; fits on **Roberts**.

You may also wish to stock these related parts: **N-6607, N-6609, N-6647.**

Call for Availability

N-6609

Guide

Contents: 2 guides.

Description: Bottom mount; **nylon** guide for steel frame bi-passing doors; used on **Roberts** wardrobe doors.

You may also wish to stock these related parts: **N-6607, N-6645.**

N-6647

Guide

Contents: 2 guides.

Description: **Nylon** bottom guide for sliding wardrobe doors; snaps into steel frame of door.

You may also wish to stock these related parts: **N-6607, N-6645.**

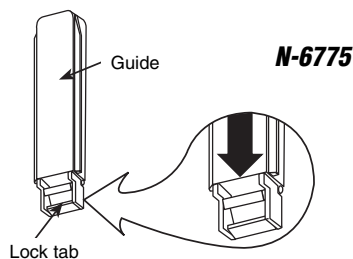
N-6775

Guide

Contents: 2 guides.

Description: White plastic guide; replacement guides for part no. N-6603.

You may also wish to stock these related parts: N-6602.



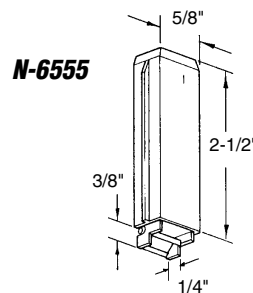
N-6555

Guide

Contents: 2 guides.

Description: Bottom mount; nylon guide for steel bi-passing doors; repair part for no. N-6553.

You may also wish to stock these related parts: N-6552, N-6553.



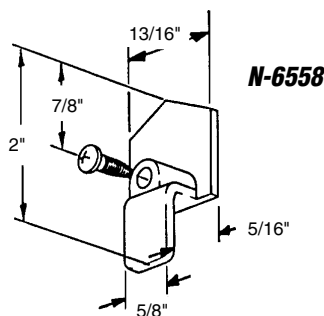
N-6558

Guide

Contents: 2 guides; 1 no. 10 x 1/2" Phillips pan head sheet metal screw.

Description: Nylon; side mount; replaces old metal guides.

You may also wish to stock these related parts: N-6556, N-6557.

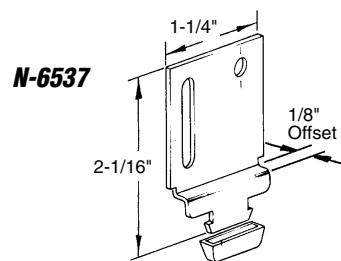


N-6537

Guide

Contents: 2 guides; 4 no. 8 x 5/8" Phillips pan head sheet metal screws.

Description: Bottom mount; adjustable steel bracket with nylon tip; fits 3/4" to 1-3/8" thick bi-passing doors; fits on Cox.



N-6651* (1/4" offset)

N-6652 (1/2" offset)

N-6653 (3/4" offset)

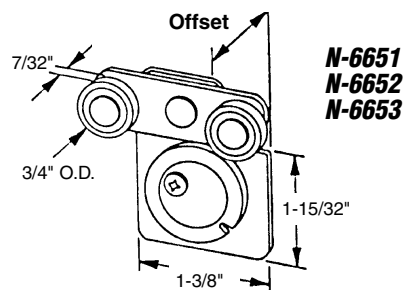
Roller

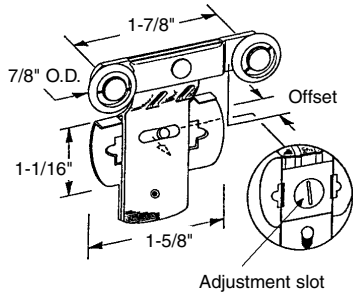
Contents: 2 roller assemblies with installation screws.

Description: Tandem wheels; top hung; 3/4" diameter nylon wheels; adjustable offset steel bracket; for 3/4" to 1-3/8" thick doors; fits on Atlas.

**Call for availability on this item.*

You may also wish to stock these related parts: N-6562.





N-6915
N-6726

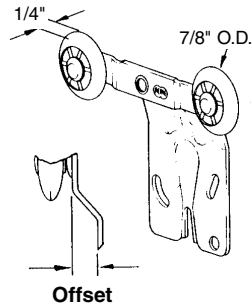
N-6915 (Front - 3/16" offset)
N-6726 (Back - 11/16" offset)

Roller

Contents: 2 roller assemblies; 4 no. 8 x 3/4" Phillips pan head sheet metal screws.

Description: 7/8" diameter, round edge nylon tandem wheels; side mount; adjustable steel bracket; for bi-passing doors; used on *Sterling* track systems.

You may wish to stock these related parts: **N-6562**, **N-6563**.



N-6502
N-6503
N-7032
N-7033

N-6502 (Front - 1/4" offset)
N-6503 (Back - 1/2" offset)
N-7032 (Front - ball bearing wheel - 1/4" offset)
N-7033 (Back - ball bearing wheel - 1/2" offset)

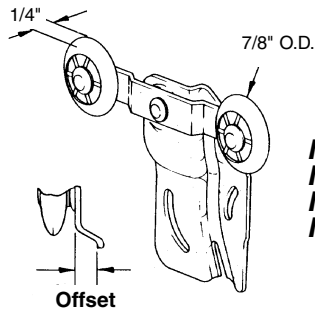
Roller

Contents: 2 roller assemblies; 6 no. 8 x 3/4" Phillips pan head sheet metal screws.

Description: Tandem wheels; top hung; side mounting; offset adjustable steel bracket; 7/8" diameter round edge nylon wheels; fits 3/4" to 1-3/8" thick door; fits on *Acme*.

You may wish to stock these related parts: **N-6563**, **N-6560**.

Note: **N-7032** & **N-7033** have nickel plated steel brackets & are supplied with free door bumper (N-6658).



N-6506
N-6507
N-7036
N-7037

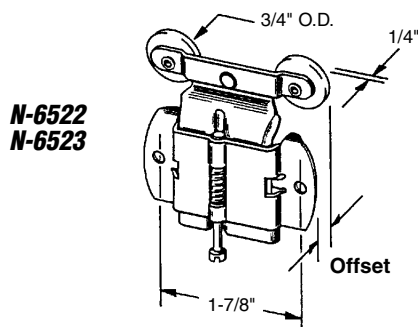
N-6506 (Front - 1/4" offset)
N-6507 (Back - 1/2" offset)
N-7036 (Front - ball bearing wheel - 1/4" offset)
N-7037 (Back - ball bearing wheel - 1/2" offset)

Roller

Contents: 2 roller assemblies; 4 no. 8 x 3/4" Phillips pan head sheet metal screws.

Description: Tandem wheels; top hung; side mounting; offset adjustable steel bracket; 7/8" diameter round edge nylon wheels fits 3/4" thick doors; fits on *Cox*.

Note: **N-7036** & **N-7037** have nickel plated steel brackets & are supplied with free door bumper (N-6658).



N-6522
N-6523

N-6522 (Front - 3/8" offset)
N-6523 (Back - 3/4" offset)

Roller

Contents: 2 roller assemblies; 4 no. 8 x 3/4" Phillips pan head sheet metal screws.

Description: Tandem wheels; top hung; side mounting; offset adjustable steel bracket; 3/4" diameter round edge nylon wheels; fits 3/4" to 1-3/8" thick doors; 75 lb capacity; fits on *Harvey*.

You may wish to stock these related parts: **N-6560**, **N-6562**.

N-6669 (1/2" offset)

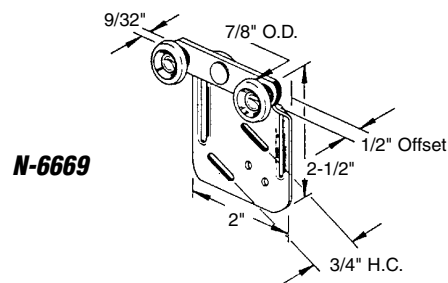
Call for
Availability

Roller

Contents: 2 roller assemblies; 6 no. 8 x 3/4" Phillips pan head sheet metal screws.

Description: Tandem wheels; side mounting adjustable **steel** bracket; 7/8" diameter **round edge nylon** wheels; for 3/4" to 1-3/8" thick doors up to 90 lbs. each; fits on **Atlas**.

You may wish to stock these related parts: **N-6560**.



N-6977 (Front - 3/16" offset - tandem wheels)

N-6978 (Back - 7/16" offset - tandem wheels)

N-7091 (Front - 3/16" offset)

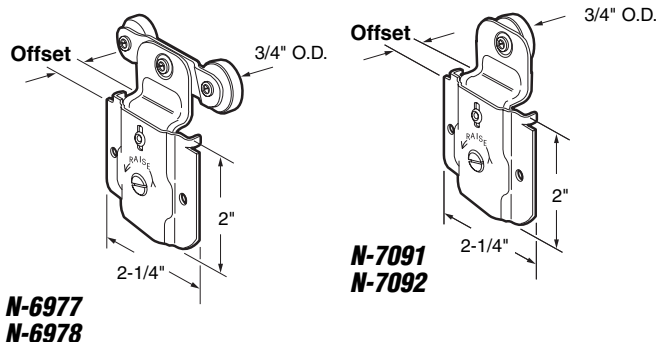
N-7092 (Back - 7/16" offset)

Roller

Contents: 2 roller assemblies; 4 no. 8 x 3/4" Phillips pan head screws.

Description: Top hung; side mounting; offset adjustable **steel** bracket; 3/4" diameter **flat edge nylon** wheels; used on **Grant series 6000** doors.

You may wish to stock these related parts: **N-6562**.



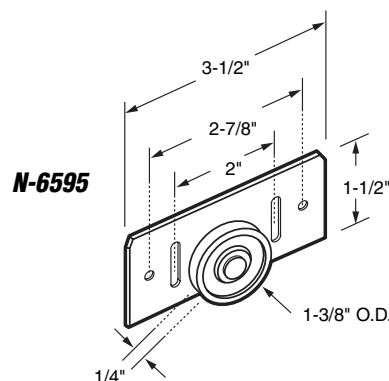
N-6595

Roller

Contents: 2 roller assemblies; 4 no. 8 x 3/4" Phillips pan head sheet metal screws.

Description: Bottom mount; installs on back side of door panel; **steel** bracket; 1-3/8" diameter **flat edged nylon** wheel.

You may wish to stock these related parts: **N-6596**.



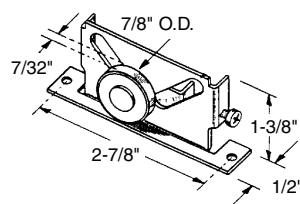
N-6622

Call for
Availability

Roller

Contents: 2 roller assemblies; (1 left and 1 right); 1 set of installation screws.

Description: Sliding mirror door **steel** bracket with 7/8" diameter **steel ball bearing** wheel; adjustable; fits on **Daryl Door**.



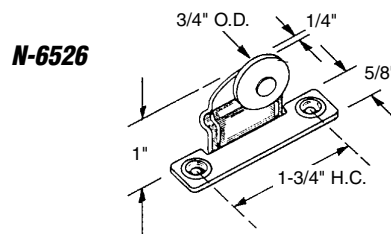
N-6526

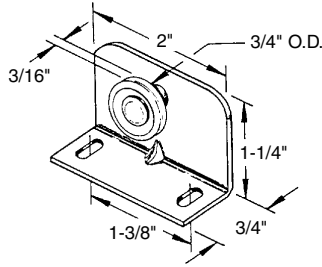
Roller

Contents: 2 roller assemblies; 4 no. 8 x 1-1/4" Phillips pan head sheet metal screws.

Description: Single wheel; top hung; **offset steel** bracket; 3/4" diameter **round edge nylon** wheel; fits 3/4" to 1-3/8" thick doors; fits on **Harvey**.

You may wish to stock these related parts: **N-6565**, **N-6566**.





N-6666

N-6666

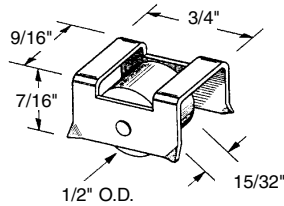
Roller

Contents: 2 roller assemblies; 4 no. 8 x 1-1/4" Phillips pan head sheet metal screws.

Description: Single flat edge nylon wheel; top center mounting; wheel fits 3/4" to 1-3/8" thick doors; works as a fixed roller with no. N-6629; fits on Atlas.

You may wish to stock these related parts: N-6629.

N-6675



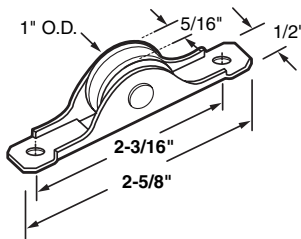
N-6675

Roller

Contents: 2 roller assemblies.

Description: 1/2" diameter stainless steel roller; brass housing; fits 9/16" groove in door rail; held in place by flared points.

N-6591



N-6590

N-6590

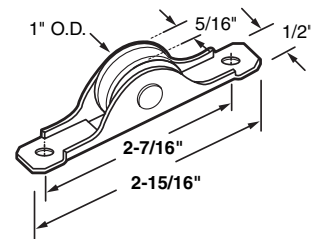
N-6591

Roller

Contents: 2 roller assemblies; 4 no. 8 x 3/4" Phillips pan head sheet metal screws.

Description: Bottom mount; mortise installation; steel housing; 1" diameter center groove nylon wheel; fits on Glide Master.

You may wish to stock these related parts: N-6590, N-6592, N-6593, N-6594.



N-6592

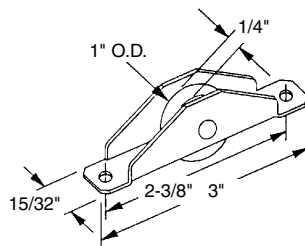
N-6592

Roller

Contents: 2 roller assemblies; 4 no. 8 x 3/4" Phillips pan head sheet metal screws.

Description: Bottom mount; mortise installation; steel housing; 1" diameter round edged nylon wheel.

You may wish to stock these related parts: N-6590, N-6591, N-6593, N-6594.



N-6594

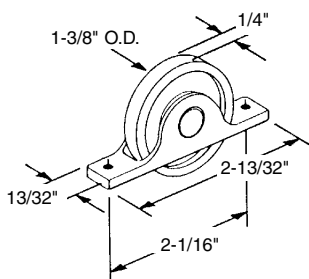
N-6594

Roller

Contents: 2 roller assemblies; 2 no. 8 x 3/4" Phillips pan head sheet metal screws.

Description: Bottom mount; mortise installation; steel housing; 1-3/8" diameter flat edged nylon wheel; fits on Glide Master.

You may wish to stock these related parts: N-6590, N-6591, N-6592, N-6593.



Call for
Availability

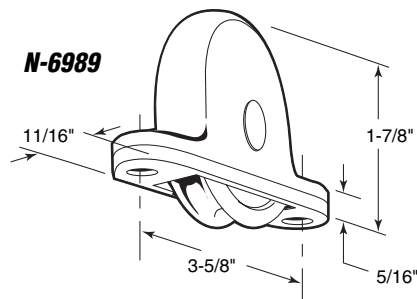
Call for
Availability

N-6989

Roller

Contents: 1 roller assembly.

Description: Bottom mount; mortise installation; heavy die cast housing; 1-3/4" diameter x 3/8" wide **grooved nylon wheel**; used on **Grant No. 18** door systems.



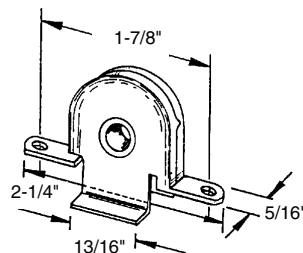
N-6680 (Steel ball bearing - flat edge wheel)

N-6681 (Nylon - grooved edge wheel)

Roller

Contents: 2 roller assemblies.

Description: **Stamped steel housing**; fits a 1-1/4" x 5/16" mortise slot in door rail.



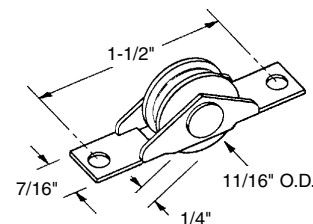
**N-6680
N-6681**

N-6684

Roller

Contents: 2 roller assemblies.

Description: 11/16" diameter **steel wheel with axle bearing**; center grooved; fits a 7/16" x 1-7/8" mortise slot in door rail.



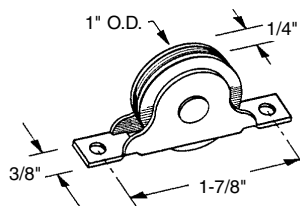
N-6684

N-6685

Roller

Contents: 2 roller assemblies.

Description: **Steel ball bearing grooved wheel**; fits a 1-1/4" x 5/16" mortise slot in door rail.



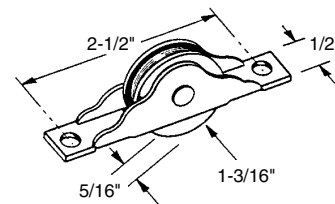
N-6685

N-6686

Roller

Contents: 2 roller assemblies.

Description: 1-3/16" diameter **steel ball bearing wheel**; center grooved; fits a 2-15/16" x 7/16" mortise slot in door rail.



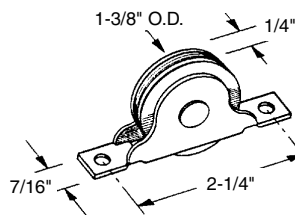
N-6686

N-6687

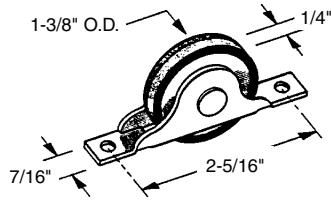
Roller

Contents: 2 roller assemblies.

Description: 1-3/8" diameter **steel ball bearing wheel**; center grooved; fits a 2-3/4" x 7/16" mortise slot in door rail.

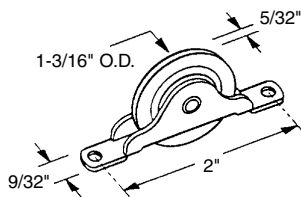
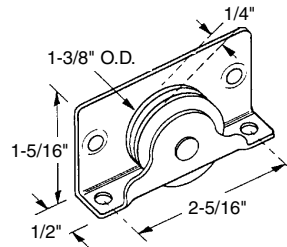


N-6687



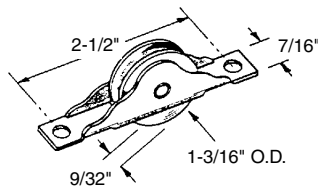
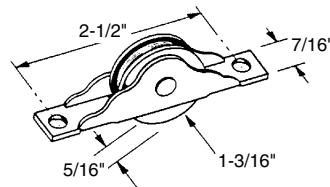
N-6688

N-6689



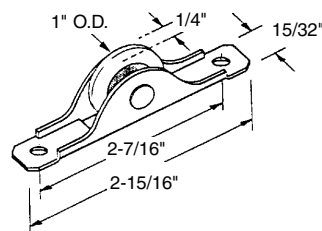
N-6690

N-6691



N-6692

N-6593



N-6688

Roller

Contents: 2 roller assemblies.

Description: 1-3/8" diameter **flat neoprene tire ball bearing** wheel; fits a 2-3/4" x 7/16" mortise slot in door rail.

N-6689

Roller

Contents: 2 roller assemblies.

Description: 1-3/8" diameter **steel ball bearing** wheel; center groove; side mounted bracket for external mounting.

N-6690

Roller

Contents: 2 roller assemblies.

Description: 1-3/16" diameter **round edge nylon** wheel; for thin doors; fits a 9/32" x 2-1/4" mortise slot in door rail.

N-6691

Roller

Contents: 2 roller assemblies.

Description: 1-3/16" diameter **center grooved nylon** wheel; for door thickness up to 1-1/8"; fits a 7/16" x 2-15/16" mortise slot in door rail.

N-6692

Roller

Contents: 2 roller assemblies.

Description: 1-3/16" diameter **bronze center groove** wheel; self-lubricating bearing; **solid brass** housing; used by many boat manufacturers; fits a 7/16" x 2-15/16" mortise slot in door frame.

N-6593

Roller

Contents: 2 roller assemblies.

Description: Bottom mount; mortise installation; **steel** housing; 1" diameter **round edged nylon** wheel; fits on *Glide Master*.

You may also wish to stock these related parts: **N-6590, N-6591, N-6592, N-6594.**

Call for
Availability

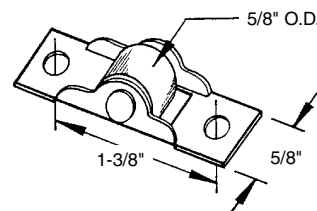
N-6676

Roller

Contents: 2 roller assemblies.

Description: 5/8" diameter **nylon** wheel; **steel** housing; fits 5/8" groove in door rail; mortise installation.

N-6676

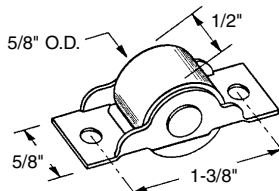


N-6677

Roller

Contents: 2 roller assemblies.

Description: 5/8" diameter **steel** wheel; **steel** housing; fits 5/8" groove in door rail; mortise installation.



N-6677

N-6678

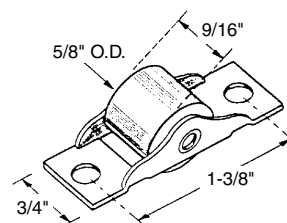
Roller

Contents: 2 roller assemblies.

Description: 5/8" diameter **steel** wheel; **steel** housing; fits 3/4" groove in door rail; mortise installation.

*Call for
Availability*

N-6678

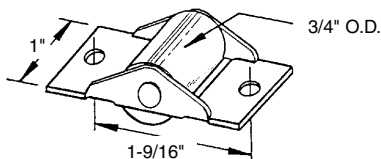


N-6679

Roller

Contents: 2 roller assemblies.

Description: 3/4" diameter **steel** wheel; **steel** housing; fits 1" groove in door rail; mortise installation.



N-6679

N-6682 (Steel)

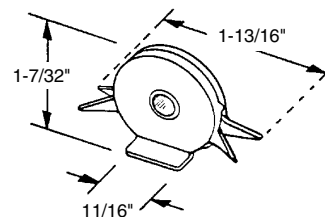
N-6683 (Nylon)

Roller

Contents: 2 roller assemblies.

Description: **Ball bearing flat** wheel; drive-in **steel** housing; fits a 1-1/4" x 5/16" mortise slot in door rail.

**N-6682
N-6683**

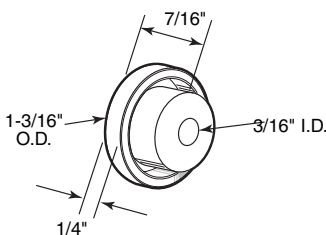


N-6596

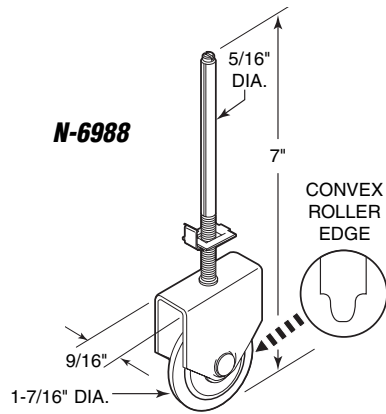
Roller

Contents: 2 rollers.

Description: **Nylon** wheel mounts directly onto door panel; 1-3/16" diameter.



N-6596



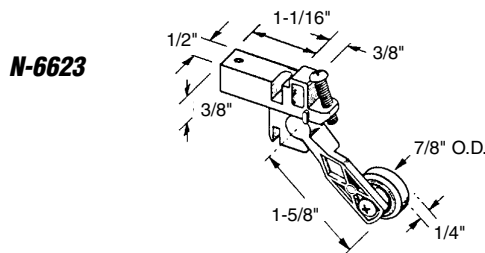
N-6988

N-6988

Roller

Contents: 1 roller assembly.

Description: Plated steel rod with stamped steel roller housing; 1-3/8" diameter convex nylon wheel.



N-6623

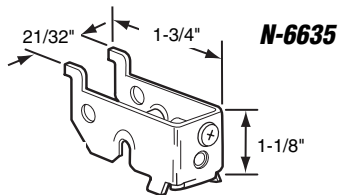
N-6623

Roller

Contents: 1 roller assembly.

Description: 7/8" nylon ball bearing wheel; adjustable diecast roller housing; fits on *Miller Door*.

Call for Availability



N-6635

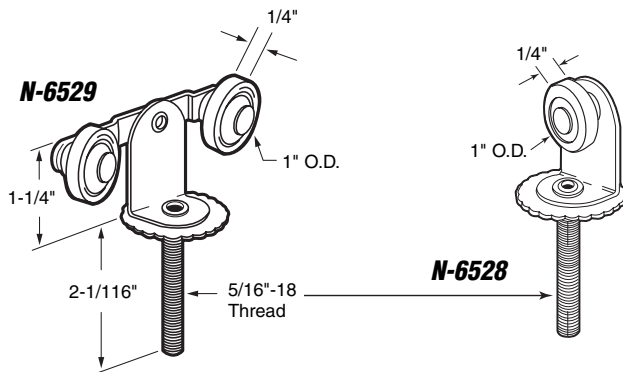
N-6635

Roller Bracket

Contents: 1 roller bracket.

Description: Stamped steel housing to accept no. N-6621 wardrobe door roller; snap together design between bracket and wheel assembly; used by *Ador/HILite*.

You may wish to stock these related parts: N-6621, N-6657.



N-6528

N-6528

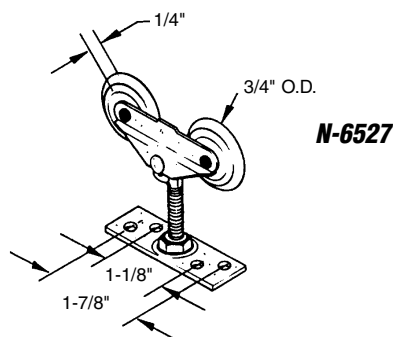
N-6529 (Tandem wheels)

Roller

Contents: 1 roller assembly.

Description: Top-center mounting; adjustable steel bracket; flat edge nylon wheel; fits 3/4" to 1-3/8" thick doors; fits on *Like*.

You may wish to stock these related parts: N-6565, N-6566, N-6664, N-6797.



N-6527

N-6527

Roller

Contents: 1 roller assembly; 4 no. 8 x 1-1/4" Phillips pan head sheet metal screws.

Description: Tandem wheels; top hung; offset adjustable bracket; round edge nylon wheel; fits 3/4" to 1-3/8" thick doors; fits on *Harvey*.

You may wish to stock these related parts: N-6565, N-6566.

N-6532

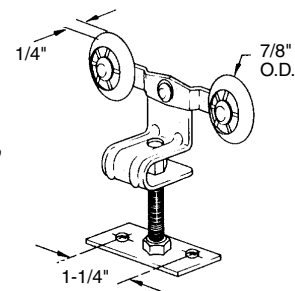
Roller

Contents: 2 roller assemblies; 4 no. 8 x 1-1/4" Phillips pan head sheet metal screws.

Description: Tandem wheels; top mounting; adjustable **steel** bracket; **round edge nylon** wheel; fits 1-3/8" thick doors; fits on **Cox**.

You may wish to stock these related parts: **N-6564, N-6797.**

N-6532



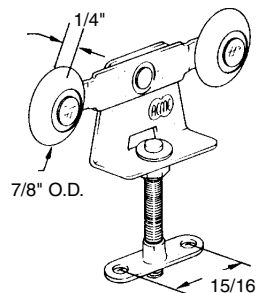
N-6533

Roller

Contents: 1 roller assembly; 2 no. 8 x 1-1/4" Phillips pan head sheet metal screws.

Description: Tandem wheels; top mounting; adjustable **steel** bracket; **round edge nylon** wheel; fits 1-3/8" thick doors; fits on **Acme**.

You may wish to stock these related parts: **N-6560.**



N-6533

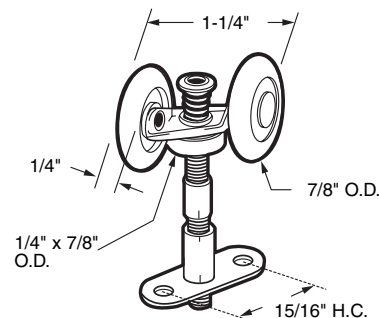
N-6534

Roller

Contents: 1 roller assembly; 2 no. 8 x 1-1/4" Phillips pan head sheet metal screws.

Description: Tandem wheel hanger, with **round edge nylon** wheels; top mounting; adjustable **steel** bracket with **flat edge horizontal guide wheel**; fits 1" to 1-3/8" thick doors; used on **Acme "series 2600"** bi-fold & accordion doors.

You may wish to stock these related parts: **N-6541, N-6543, N-6545, N-6546, N-6547.**



N-6534

N-6847 (3/4" diameter)

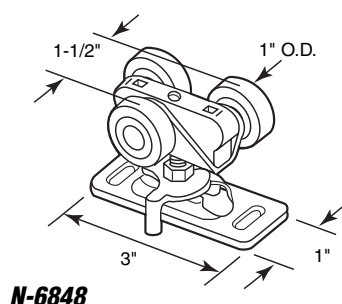
N-6848 (1" diameter)

Roller

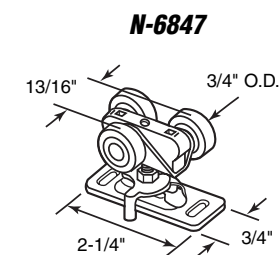
Contents: 2 roller assemblies; 4 no. 8 x 3/4" Phillips pan head sheet metal screws.

Description: Three (3) **flat edge nylon** wheels; **steel** top mount adjustable bracket used on pocket doors, sliding doors and bi-folding doors.

You may wish to stock these related parts: **N-6795, N-6796, N-6567.**



N-6848



N-6847

N-6873

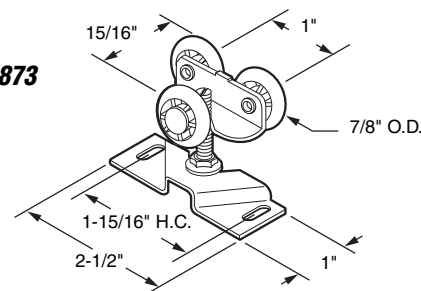
Roller

Contents: 1 roller assembly; 2 no. 8 x 1-1/4" Phillips pan head sheet metal screws.

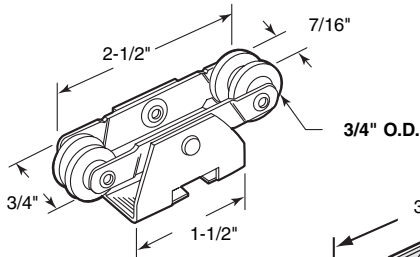
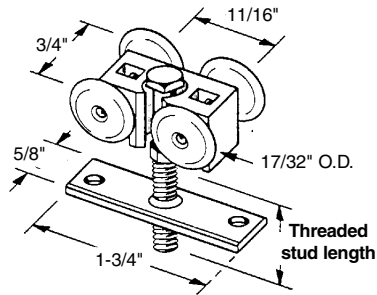
Description: Three (3) wheel hanger; top mounting; adjustable **steel** bracket; **round edge nylon** wheels; used on both bi-passing and pocket doors.

Note: See N-6990 for 4 wheel version.

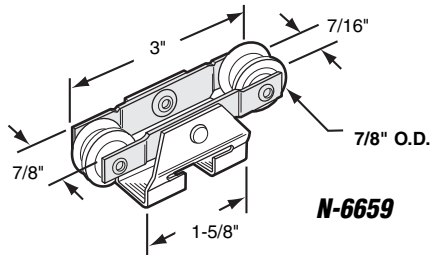
N-6873



N-6604
N-6605

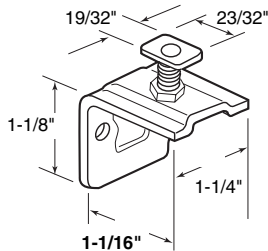


N-7087

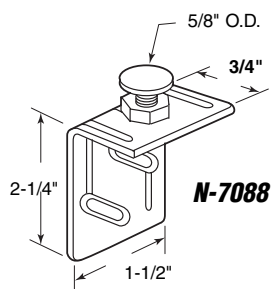
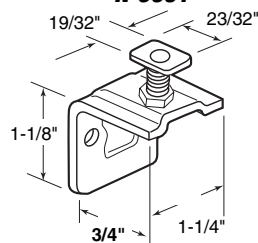


N-6659

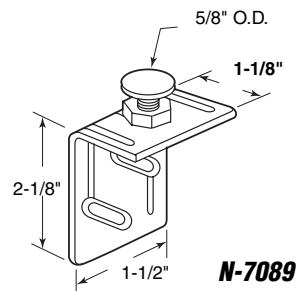
N-6892



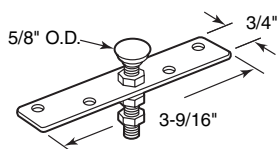
N-6891



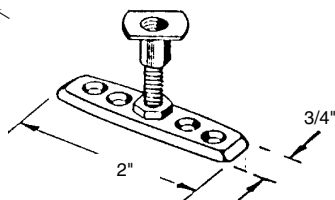
N-7088



N-7089



N-7090



N-6662

N-6604 (5/8" stud length)

N-6605 (1-1/4" stud length)

Roller

Contents: 1 roller assembly; 2 no. 8 x 1-1/2" Phillips pan head sheet metal screws.

Description: Folding shutter door hanger; (4) round edge nylon wheels on nylon carrier; top hung; designed for lightweight doors or counter top style window shutters; steel mounting plate.

You may wish to stock these related parts: **N-6582**, **N-6583**, **N-6584**.

N-6659 (7/8" diameter - nylon wheels)

N-7087 (3/4" diameter - nylon ball bearing wheels)

Roller

Contents: 1 roller assembly.

Description: Stamped steel bracket; 4 wheel carrier uses nylon wheels; for heavy duty bi-passing or pocket doors up to 100 lbs. each; fits *Acme* "1000" and "1700" series track systems.

Note: These hangers will not work with existing hanger bracket. Must choose from one of the 6 listed below.

You may wish to stock these related parts: **N-6662**, **N-6891**, **N-6892**, **N-7088**, **N-7089**, **N-7090**.

N-6891 (Front - for 3/4", 1-1/8" and 1-3/4" thick doors)

N-6892 (Back - for 1-1/8", 1-3/8" and 1-3/4" thick doors)

Side Mount Roller Bracket

Contents: 1 roller bracket.

Description: Plated steel bracket; side mount bracket for (4) wheel carrier no. **N-6659**; used on wardrobe and pocket doors.

You may wish to stock these related parts: **N-6659**, **N-6662**.

N-7088 (For 1-1/8" and 1-3/4" thick doors)

N-7089 (For 1-1/8", 1-3/8" and 1-3/4" thick doors)

Roller Bracket

Contents: 1 roller bracket.

Description: Plated steel bracket; side mount bracket for 4 wheel carrier no. **N-7087**; used on wardrobe and pocket doors.

You may wish to stock these related parts: **N-7087**, **N-7090**.

N-6662
N-7090

Top Mount Roller Bracket

Contents: 1 threaded bracket; 1 tee nut; 4 no. 8 x 1-1/4" screws.

Description: Top mounting steel bracket; adjustable; use **N-6659** with **N-6662** and **N-7087** with **N-7090**.

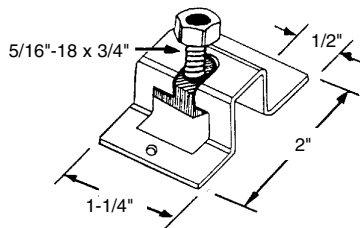
N-6803

Top Mount Roller Bracket

Contents: 1 bracket assembly.

Description: Steel bracket with threaded stud and nut; used with N-6535 and N-6536 roller assemblies.

You may wish to stock these related parts: N-6535, N-6536.



N-6803

N-6846 (Brass finish)

N-6893 (Nickel-plated finish)

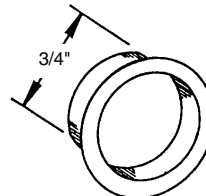
Finger Pull

Contents: 4 pulls.

Description: Plated steel pull; fits a 3/4" diameter hole; universal design.

You may wish to stock these related parts: N-6698, N-6699, N-6826.

N-6846
N-6893



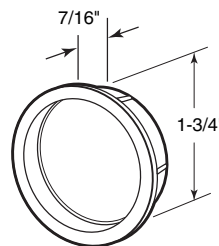
N-6933

Pull Handle

Contents: 2 pulls.

Description: Ivory colored plastic pull; fits a 1-3/4" diameter hole; universal design.

You may wish to stock these related parts: N-6500, N-6501, N-6563, N-6765.



N-6933

N-6765 (Brass finish)

N-6766 (Antique brass finish)

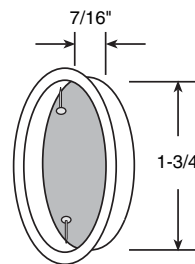
N-7081 (Chrome finish)

Pull Handle

Contents: 2 pull handles; 4 nails.

Description: Plated steel pull; fits a 1-3/4" diameter hole; held in place by 2 nails; used by many wardrobe & door manufacturers.

You may wish to stock these related parts: N-6698, N-6699; N-6763, N-6764.



N-6765
N-6766
N-7081

N-6698 (Brass finish)

N-6763 (Antique brass finish)

N-6868 (Chrome finish)

CCEP-6698 (Brass finish - 2 per bag)*

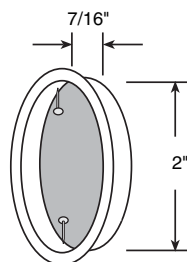
Pull Handle

Contents: 2 pull handles; 4 nails.

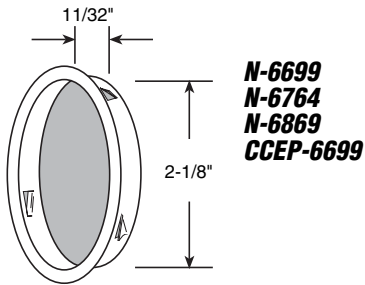
Description: Plated steel pull; fits a 2" diameter hole; held in place by 2 nails; used by many wardrobe door manufacturers.

*50 bags per cut-case box.

You may wish to stock these related parts: N-6699.



N-6698
N-6763
N-6868
CCEP-6698



N-6699 (Brass finish)
N-6764 (Antique brass finish)
N-6869 (Chrome finish)
CCEP-6699 (Brass finish - 2 per bag)*

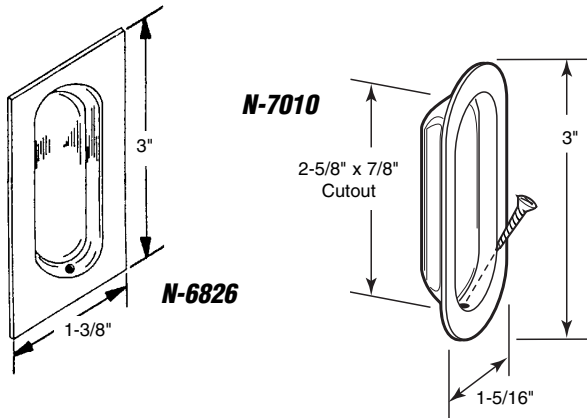
Pull Handle

Contents: 2 pull handles; 4 nails.

Description: Plated steel pull; fits a 2-1/8" diameter hole; held in place by 2 nails; used by many wardrobe door manufacturers.

*50 bags per cut-case box.

You may wish to stock these related parts: **N-6698**.



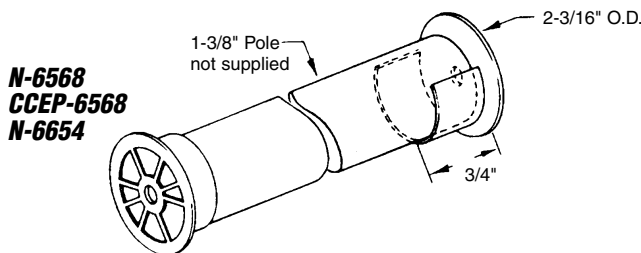
N-6826 (Rectangular face)
N-7010 (Oval face)

Pull Handle

Contents: 2 pulls; 4 nails or screws.

Description: Brass plated steel sliding door pull for pocket doors; fits a 7/8" x 2-5/8" mortise.

You may wish to stock these related parts: **N-6768**.



N-6568
CCEP-6568 (Bagged)*
N-6654 (Bagged)**

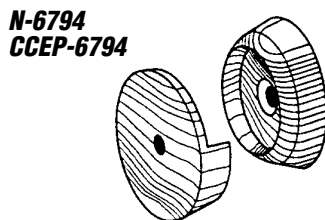
Pole Sockets

Contents: 1 set of pole sockets; 2 no. 8 x 3/4" Phillips flat head sheet metal screws.

Description: Plastic pole sockets accept a 1-3/8" standard wood pole; universal design.

*50 bags per cut-case box.

**100 per bag.



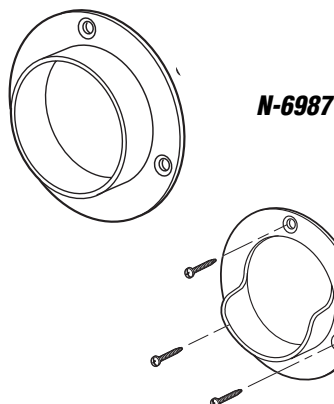
N-6794
CCEP-6794 (Bagged)*

Pole Sockets

Contents: 1 set of sockets; with fasteners.

Description: Wood socket for standard 1-3/8" diameter pole.

*50 bags per cut-case box.



N-6987 (Brass finish)

Pole Sockets

Contents: 1 set of sockets with fasteners.

Description: Plated stamped steel socket for standard 1-3/8" diameter pole.

You may wish to stock these related parts: **N-6794**, **N-6654**, **N-6980**.

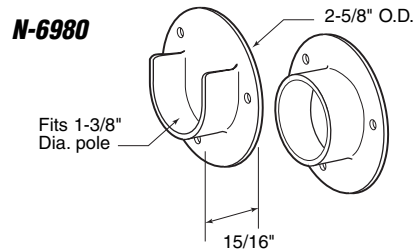
N-6980 (White)

Pole Sockets

Contents: 1 set of sockets; with fasteners.

Description: Diecast socket for standard 1-3/8" diameter pole.

You may wish to stock these related parts: **N-6794, N-6568.**



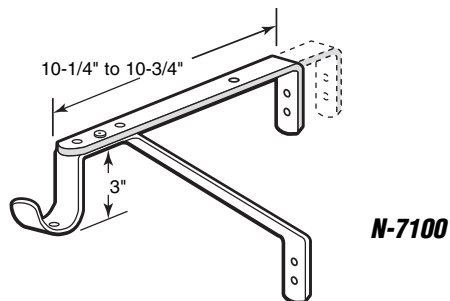
N-7100 (Light gray)

Shelf & Rod Support Bracket

Contents: 1 bracket; 2 no. 8 x 5/8" screws; 2 no. 10 x 1-1/2" Phillips pan head sheet metal screws.

Description: Heavy duty (12 ga.) painted steel bracket; 1/2" adjustment for use with or without shelf cleats; 3" hook allows easy accessibility of coat hangers to rod; will support shelves 11" to 14" deep and rods up to 1-3/8" diameter.

You may wish to stock these related parts: **N-7099, N-7101.**



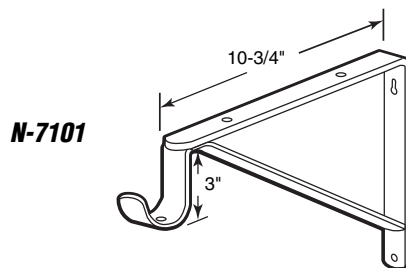
N-7101 (Light gray)

Shelf & Rod Support Bracket

Contents: 1 bracket; 2 no. 8 x 5/8" screws; 2 no. 10 x 1-1/2" Phillips pan head sheet metal screws.

Description: Heavy duty (12 ga.), non-adjusting, painted steel bracket; 3" hook allows easy accessibility of coat hangers to rod; will support shelves 11" to 14" deep and rods up to 1-3/8" diameter.

You may wish to stock these related parts: **N-7099, N-7100.**



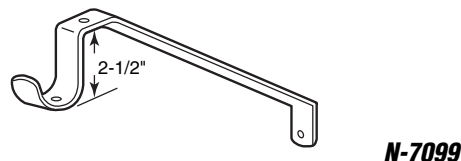
N-7099 (Light gray)

Shelf & Rod Support Bracket

Contents: 1 bracket; 2 no. 8 x 5/8" screws; 2 no. 10 x 1-1/2" Phillips pan head sheet metal screws.

Description: Painted (16 ga.) steel bracket; used to support shelves 11" to 14" deep and rods up to 1-3/8" diameter.

You may wish to stock these related parts: **N-7100, N-7101.**



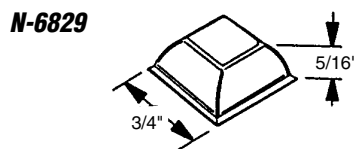
N-6829

Adhesive Bumpers

Contents: 4 bumpers.

Description: Anti-slam protective stops; resilient polyurethane; pressure sensitive adhesive; no screws necessary.

You may wish to stock these related parts: **N-6698, N-6699.**



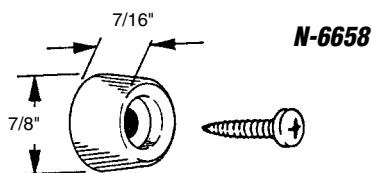
N-6658

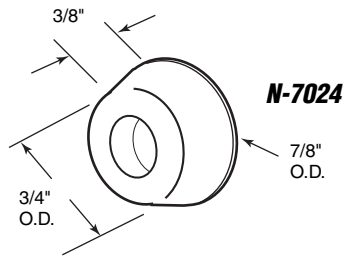
Jamb Bumper

Contents: 4 bumpers; 4 no. 8 x 3/4" Phillips pan head sheet metal screws.

Description: Rubber bumper mounts onto jamb to prevent wardrobe doors from slamming.

You may wish to stock these related parts: **N-6698, N-6699.**





N-7024

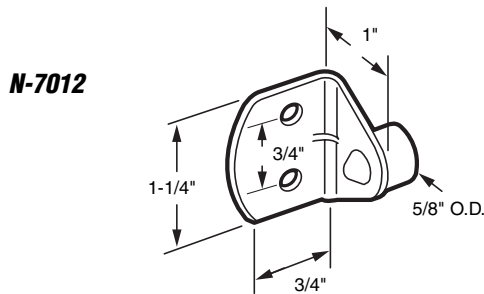
N-7024

Jamb Bumper

Contents: 4 bumpers.

Description: Clear polyurethane; self adhesive backed.

You may wish to stock these related parts: **N-6698, N-6699.**



N-7012

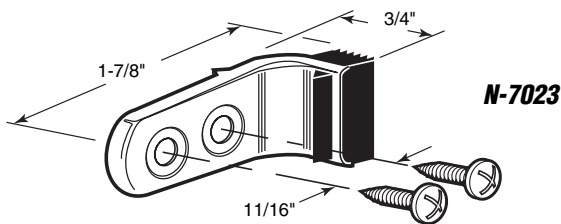
N-7012

Door Bumper

Contents: 1 stop; 3 no. 8 x 3/4" Phillips pan head sheet metal screws.

Description: Nylon housing with rubber bumper; designed for mounting on the back of the front bi-passing door to limit the travel of the rear door.

You may wish to stock these related parts: **N-6698, N-6699.**



N-7023

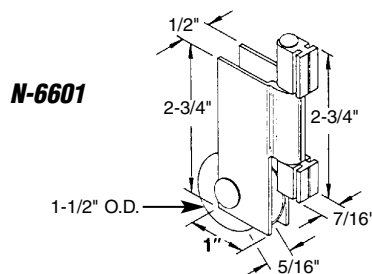
N-7023

Door Stop

Contents: 1 stop; 2 no. 8 x 3/4" Phillips pan head sheet metal screws.

Description: Zinc plated steel housing with rubber bumper; designed for mounting on the back of the front bi-passing door to limit the travel of the rear door.

You may wish to stock these related parts: **N-6698, N-6699.**



N-6601

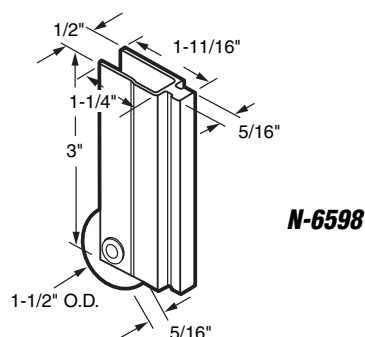
N-6601

Roller

Contents: 1 roller assembly.

Description: 1-1/2" diameter nylon ball bearing wheel; 3 piece pivoting aluminum housing assembly; fits on *Monarch Door Company* for "800" series aluminum frame doors.

Call for
Availability



N-6598

N-6598

Roller

Contents: 1 roller assembly.

Description: 1-1/2" diameter nylon ball bearing wheel; with adjustable aluminum housing bracket; bracket has "T" shaped extruded boss; fits on *Contractors Mirror Door Company*.

You may wish to stock these related parts: **N-6872.**

N-6599

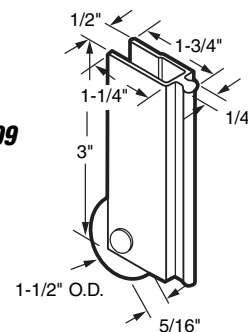
Roller

Contents: 1 roller assembly.

Description: 1-1/2" diameter **nylon ball bearing** wheel; with adjustable **aluminum** housing bracket; bracket has round extruded boss; fits on **Monarch Door Company for "500" series** aluminum frame doors.

You may wish to stock these related parts: **N-6665**.

N-6599



N-6817

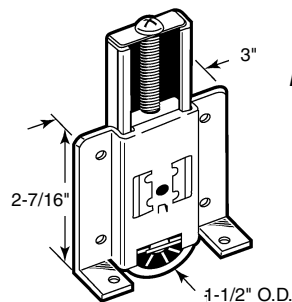
Mirror Door Roller

Contents: 1 roller assembly; 1 set of installation screws.

Description: Adjustable **steel** housing with 1-1/2" diameter concave, **non-ball bearing plastic** wheel; used on **Cox Series 21 and 22 Door Systems**.

You may also wish to stock these related parts: **N-6818**.

N-6817



N-6818

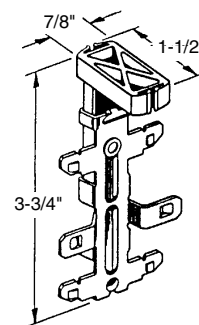
Mirror Door Top Guide

Contents: 2 guide assemblies.

Description: **Steel** snap-in design housing with **plastic** guide head; used on **Cox Series 21 Steel Door Systems**.

You may also wish to stock these related parts: **N-6817**.

N-6818



N-6820

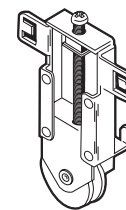
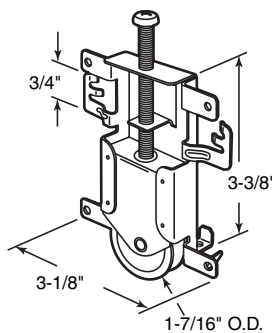
Mirror Door Roller

Contents: 1 roller assembly

Description: Adjustable **steel** housing with 1-7/16" diameter **concave nylon ball bearing** wheel; used on steel framed doors, snap-in design.

You may also wish to stock these related parts: **N-6821**.

N-6820



Old Style

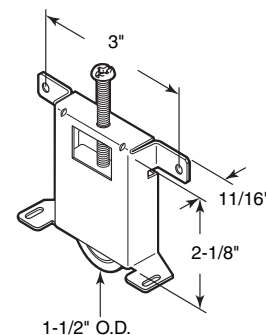
N-6861

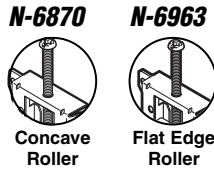
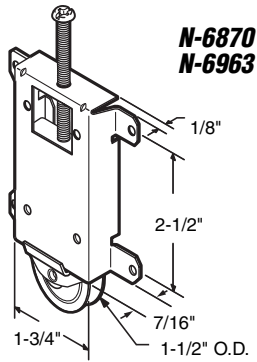
Mirror Door Roller

Contents: 1 roller assembly.

Description: Adjustable **steel** housing; 1-1/2" diameter **concave nylon ball bearing** wheel; most commonly used on wood framed sliding mirror doors.

N-6861



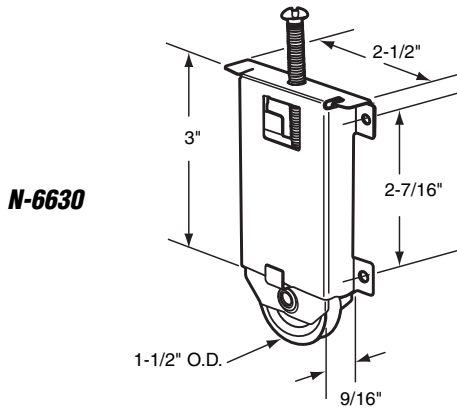


N-6870 (Concave roller)
N-6963 (Narrow style - flat edge roller)

Mirror Door Roller

Contents: 1 roller assembly.

Description: Adjustable steel housing; 1-1/2" diameter nylon wheel; fits on *Contractors Mirror Door*.



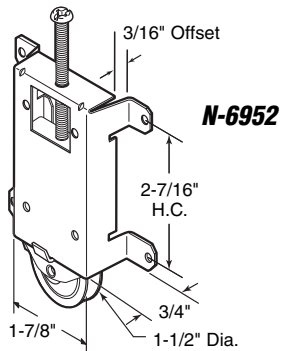
N-6630

Mirror Door Roller

Contents: 1 roller assembly.

Description: 1-1/2" diameter concave nylon ball bearing wheel; steel housing with adjustment screw; fits on *Monarch Mirror Doors "L" series* steel frame door.

You may wish to stock these related parts: **N-6597, N-6631**.

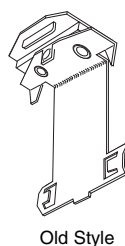


N-6952

Mirror Door Roller

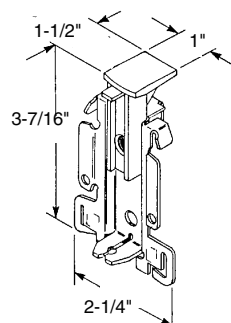
Contents: 1 roller assembly.

Description: 1-1/2" diameter nylon wheel; steel housing with adjustment screw; used by several mirror door manufacturers.



Old Style

N-6821



N-6821

Mirror Door Top Guide

Contents: 2 guides.

Description: Steel snap-in design housing with plastic guide head; used on steel framed doors.

You may wish to stock these related parts: **N-6820**.

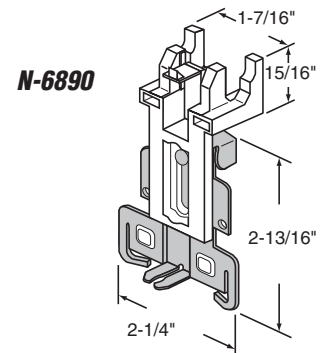
N-6890

Mirror Door Top Guide

Contents: 2 guides.

Description: Steel snap-in design housing with plastic guide head; used on *Acme* doors.

You may wish to stock these related parts: **N-6970**.



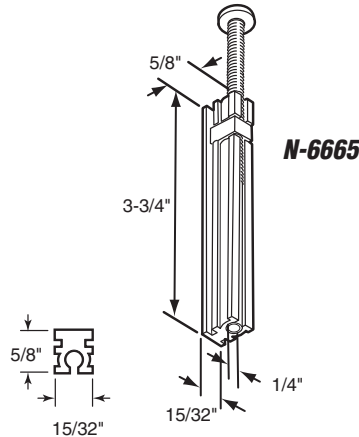
N-6665

Mirror Door Roller Mounting Bracket

Contents: 1 bracket with adjustment screw.

Description: Extruded aluminum adjustment bracket used with **N-6599**; fits on *Monarch Mirror for series 500* aluminum framed doors.

You may wish to stock these related parts: **N-6597**, **N-6598**, **N-6631**.



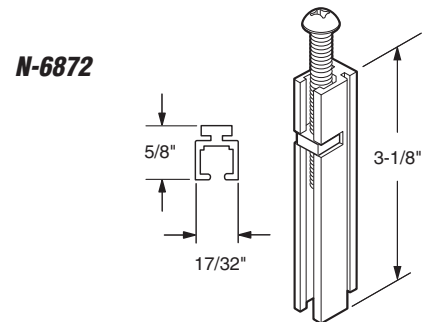
N-6872

Mirror Door Roller Mounting Bracket

Contents: 1 bracket with adjustment screw.

Description: Extruded aluminum adjustment bracket used with **N-6598**; fits on *Contractors Mirror Door* on aluminum framed doors.

You may wish to stock these related parts: **N-6597**, **N-6598**, **N-6631**.



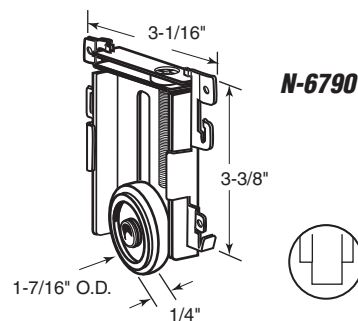
N-6790

Mirror Door Bottom Roller

Contents: 1 roller assembly.

Description: 1-7/16" diameter, flat nylon non-ball bearing wheel with adjustable steel housing, snap-in bracket for steel framed doors.

You may wish to stock these related parts: **N-6791**, **N-6945**.



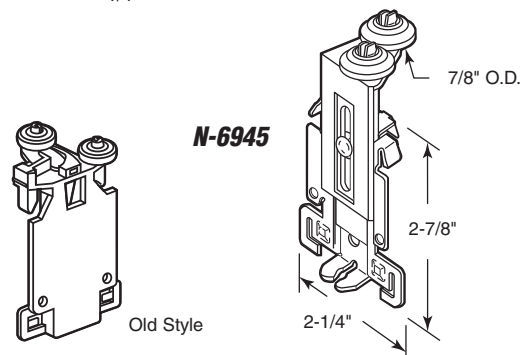
N-6945

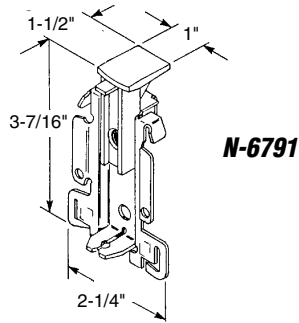
Mirror Door Top Guide

Contents: 1 top guide assembly.

Description: Twin rubber guide wheels; mounted horizontally on a stamped steel, snap-in housing; for steel framed doors.

You may wish to stock these related parts: **N-6790**.





N-6791

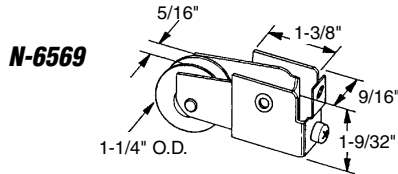
N-6791

Mirror Door Top Guide

Contents: 2 top guide assemblies.

Description: Nylon top guide; stamped steel, snap-in housing; for steel framed doors.

You may wish to stock these related parts: **N-6790**.



N-6569

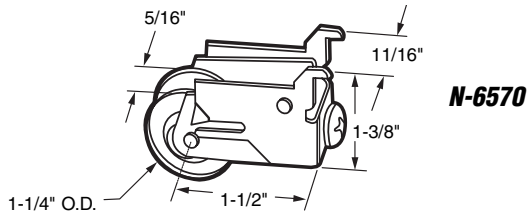
N-6569

Mirror Door Roller Assembly

Contents: 1 roller assembly.

Description: 1-1/4" diameter nylon ball bearing wheel; adjustable steel housing assembly; fits on *Glassco* and other manufacturers.

You may wish to stock these related parts: **N-6942**.



N-6570

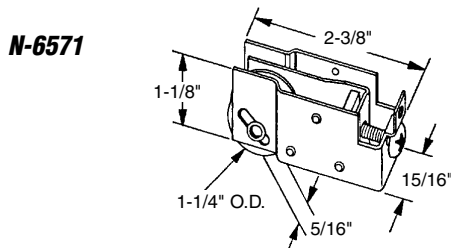
N-6570

Mirror Door Roller Assembly

Contents: 1 roller assembly.

Description: 1-1/4" diameter nylon ball bearing wheel; adjustable steel housing assembly; fits on *El Cajon*, *Premiere* and several other mirror door manufacturers.

You may wish to stock these related parts: **N-6942**.



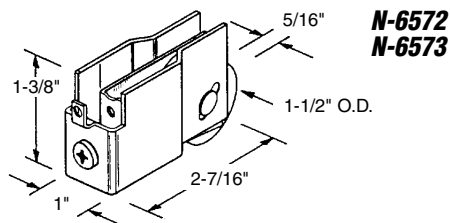
N-6571

N-6571

Mirror Door Roller Assembly

Contents: 1 roller assembly.

Description: 1-1/4" diameter nylon ball bearing wheel; adjustable steel housing assembly.



N-6572
N-6573

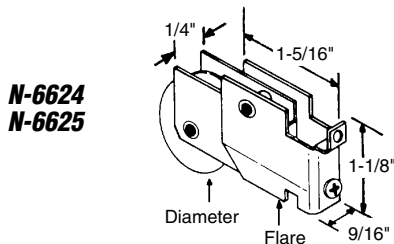
N-6572 (Nylon ball bearing)

N-6573 (Steel ball bearing)

Mirror Door Roller Assembly

Contents: 1 roller assembly.

Description: 1-1/2" diameter ball bearing wheel; adjustable steel housing assembly; fits on *Joe Keith Company*.



N-6624
N-6625

N-6624 (1-1/8" diameter - steel ball bearing)

N-6625 (1-1/4" diameter - nylon ball bearing)

Mirror Door Roller Assembly

Contents: 1 roller assembly.

Description: Ball bearing wheel; adjustable steel housing assembly; overall width at flare is 11/16"; fits on *Crest Mirror Door*, *Manufacturers Mirror Door* and others.

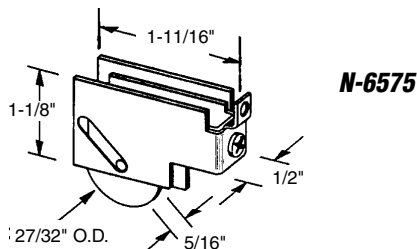
Note: Old part no. **N-6574** is the same as **N-6624**.

N-6575

Mirror Door Roller Assembly

Contents: 1 roller assembly.

Description: 27/32" diameter **steel ball bearing** wheel; adjustable **steel** housing assembly; fits on *Manufacturers Mirror Door* and *House of Aluminum*.

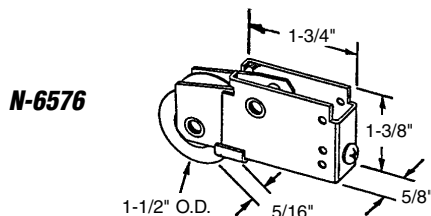


N-6576

Mirror Door Roller Assembly

Contents: 1 roller assembly.

Description: 1-1/2" diameter **nylon ball bearing** wheel; adjustable **steel** housing assembly; fits on *Marshall Door*.



N-6621

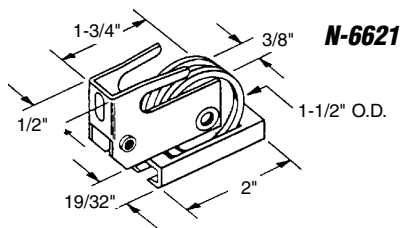
Mirror Door Roller Assembly

Call for Availability

Contents: 1 roller assembly

Description: 1-1/2" diameter **nylon** wheel; **special steel** and **plastic** housing assembly; fits on *Ador/HiLite Mirror Wardrobe Doors*.

You may also wish to stock these related parts: **N-6635**, **N-6657**.

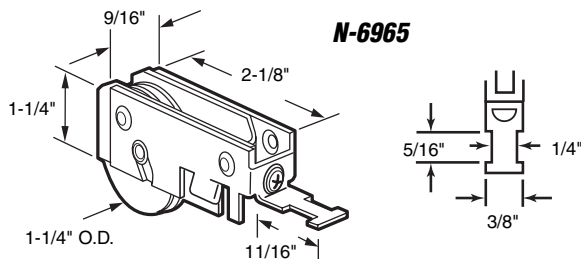


N-6965

Mirror Door Roller Assembly

Contents: 1 roller assembly.

Description: 1-1/4" diameter **nylon ball bearing** wheel; adjustable **steel** housing assembly; fits on *Bay King* and other door manufacturers.

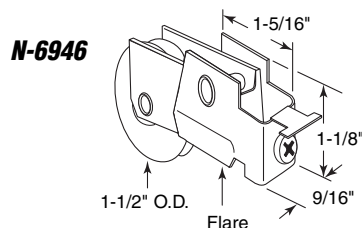


N-6946

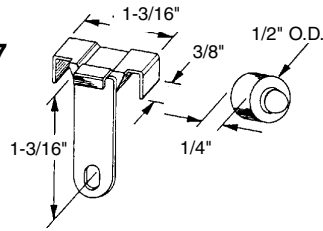
Mirror Door Roller Assembly

Contents: 1 roller assembly.

Description: 1-1/2" diameter **nylon ball bearing** wheel; adjustable **steel** housing assembly; overall width at flare is 25/32"



N-6657



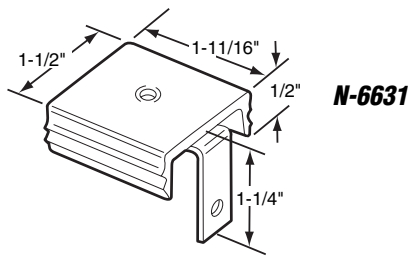
N-6657

Mirror Door Guide and Bumper

Contents: 2 guides; 2 bumpers.

Description: Nylon top guide designed for sliding mirror doors; rubber bumper fits onto vertical door rail; fits on *Ador/HiLite*.

You may also wish to stock these related parts: **N-6621, N-6635**.



N-6631

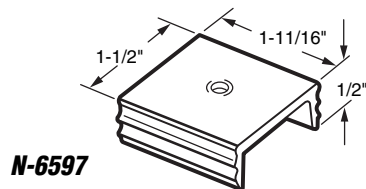
N-6631

Mirror Door Guide & Bracket

Contents: 2 top guides; (2) no. 10 x 1/2" Phillips pan head sheet metal screws.

Description: Flexible plastic top guide with steel mounting bracket used on *Monarch Sliding Mirror Doors*; replaces old style "K" Design.

You may wish to stock these related parts: **N-6597, N-6599, N-6630**.



N-6597

N-6597

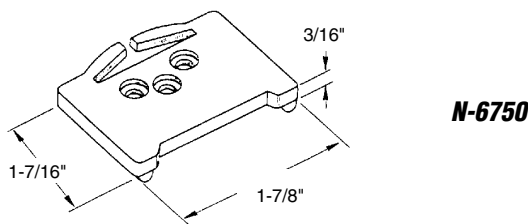
Mirror Door Guide

Call for Availability

Contents: 2 guides; (2) no. 10 x 3/8" Phillips pan head sheet metal screws.

Description: Flexible vinyl guide used to replace top guide on *Monarch* mirror door guide **N-6631**.

You may also wish to stock these related parts: **N-6598, N-6599, N-6630**.



N-6750

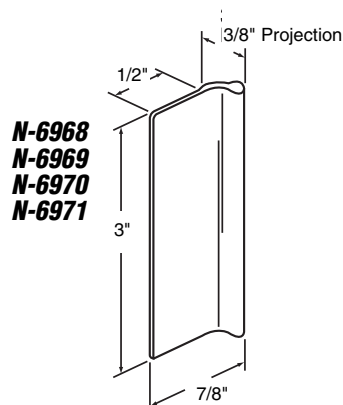
N-6750

Mirror Door Top Guides

Contents: 2 guides.

Description: Nylon top guides used on sliding mirror doors; used on *Contractors Wardrobe* doors.

You may also wish to stock these related parts: **N-6597, N-6630**.



N-6968
N-6969
N-6970
N-6971

N-6968 (Polished gold)

N-6969 (Chrome)

N-6970 (Bronze)

N-6971 (White)

Mirror Door Pull

Contents: 1 pull.

Description: Plated or painted diecast pull; supplied with pressure sensitive adhesive backing.

Bi-pass Door Hardware

N-6972 (Polished gold)

N-6973 (Chrome)

N-6974 (Bronze)

N-6975 (White)

Mirror Door Pull

Contents: 1 pull.

Description: Plated or painted diecast pull; supplied with pressure sensitive adhesive backing.

N-6942

Mirror Door Pull

Contents: 2 pulls.

Description: Beveled mirrored glass pull; pressure sensitive adhesive backing.

N-6767

Guide

Contents: 2 guides; (6) no. 8 x 5/8" Phillips pan head sheet metal screws.

Description: Nylon construction; one piece design; bottom mount; for 1-3/8" thick doors, universal design.

You may wish to stock these related parts: **N-6560**, **N-6562**, **N-6565**.

N-6560

CCEP-6560 (2 per bag)*

Guide

Contents: 2 guide assemblies; (4) no. 8 x 3/4" Phillips pan head sheet metal screws.

Description: Steel base with nylon tips; adjustable bottom bracket; fits 3/4" to 1-3/8" thick bi-passing doors; fits on *Acme* and others.

*30 bags per cut case box.

You may wish to stock these related parts: **N-6500**, **N-6501**, **N-6502**, **N-6503**.

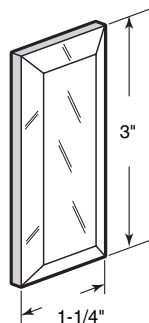
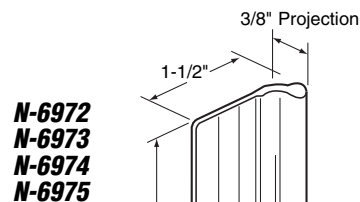
N-6796

Guide

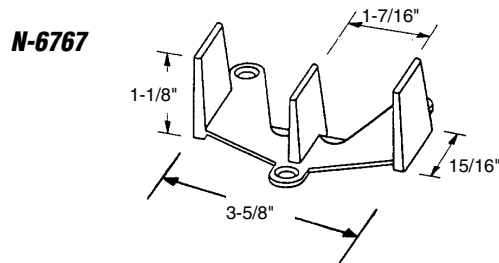
Contents: 1 guide assembly; 1 set of fasteners.

Description: Steel base with nylon guide tips; adjustable for either 3/4" or 1-3/8" thick doors; designed for use with **N-6795** carpet riser; fits on *Johnson Hardware*.

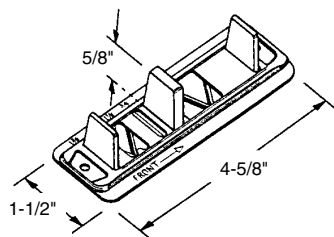
You may wish to stock these related parts: **N-6840**, **N-6841**.



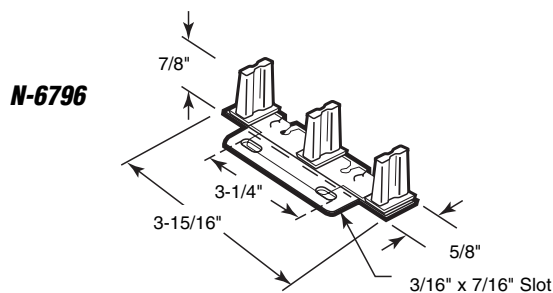
N-6942



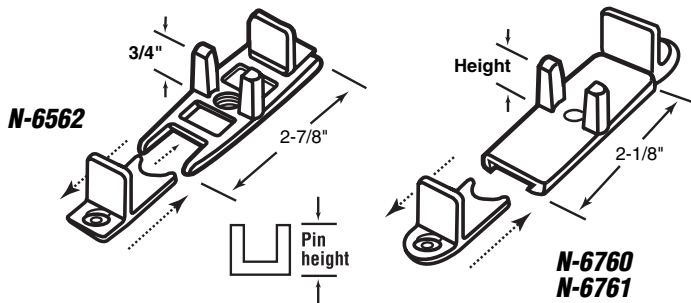
N-6767



N-6560
CCEP-6560



N-6796



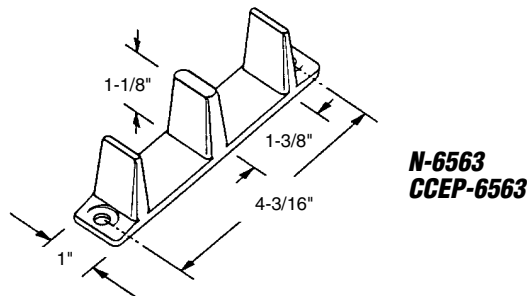
N-6562 (3/4" high spacer pins)
N-6760 (1" high spacer pins)
N-6761 (1-1/4" high spacer pins)

Guide

Contents: 2 guide assemblies; (6) no. 8 x 3/4" Phillips pan head sheet metal screws.

Description: Nylon guide pins; adjustable, nylon bottom mount bracket; fits 3/4" to 1-3/8" thick bi-passing doors; used by many manufacturers.

You may wish to stock these related parts: **N-6648, N-6649, N-6717 thru N-6722.**



N-6563
CCEP-6563 (2 per bag)*

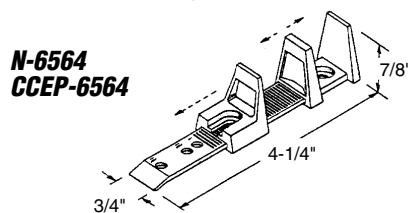
Guide

Contents: 2 guides; (4) no. 8 x 3/4" Phillips pan head sheet metal screws.

Description: Nylon; bottom mount; for 1-3/8" thick bi-passing doors; universal design.

***30 bags per cut case box.**

You may wish to stock these related parts: **N-6500 thru N-6515.**



N-6564
CCEP-6564 (2 per bag)*

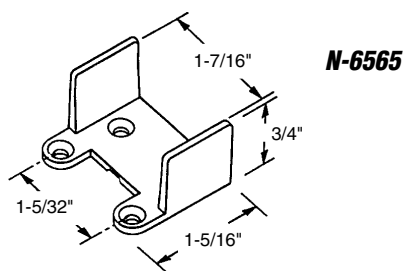
Guide

Contents: 2 guides; (4) no. 8 x 3/4" Phillips pan head sheet metal screws.

Description: Floor mount; nylon adjustable guide for 3/4" to 1-3/8" thick bi-passing doors; universal design.

***40 bags per cut case box.**

You may wish to stock these related parts: **N-6500 thru N-6515.**



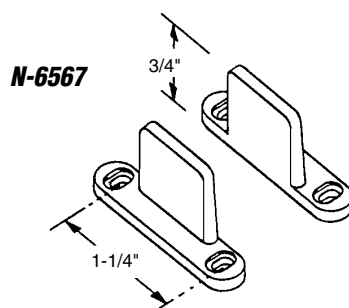
N-6565

Guide

Contents: 1 guide; (4) no. 8 x 3/4" Phillips pan head sheet metal screws.

Description: Single door; bottom mount; nylon retainer; used by many manufacturers.

You may wish to stock these related parts: **N-6526 thru N-6533.**



N-6567

Guide

Contents: 1 set of nylon guides; (4) no. 8 x 3/4" Phillips pan head sheet metal screws.

Description: Floor mount nylon bottom guides; use one pair for any thickness single door, or can be installed in series for multiple doors.

You may wish to stock these related parts: **N-6512 thru N-6515.**

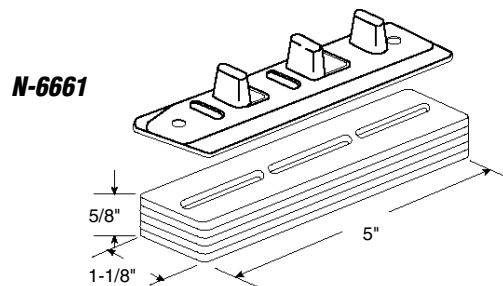
N-6661

Guide and Carpet Risers

Contents: 1 guide; 5 riser plates; 2 installation screws and 2 plastic anchors.

Description: Nylon bottom guide tips with steel bracket adjusts for 3/4" to 1-3/8" thick doors; 1/8" thick plastic shim plates to raise guide up to 5/8" above carpet.

You may wish to stock these related parts: **N-6500, N-6501, N-6560, N-6561.**



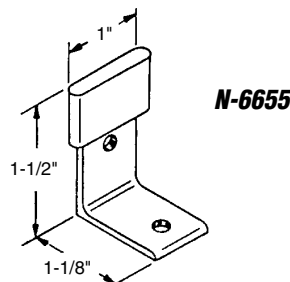
N-6655

Bottom Guide Brackets

Contents: 2 brackets; (2) no. 8 x 1/2" Phillips pan head sheet metal screws.

Description: Aluminum bracket with nylon tip; used as a floor guide on sliding wardrobe doors; fits on *Like*.

You may wish to stock these related parts: **N-6528, N-6529, N-6664.**



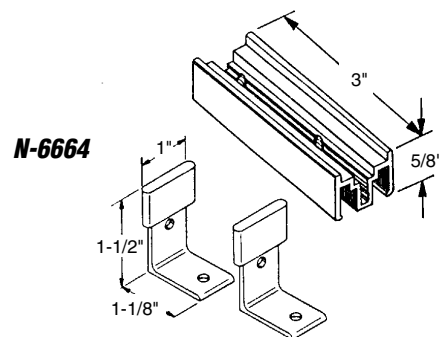
N-6664

Guides and Carpet Riser

Contents: 1 riser block; 2 guides; 1 set of installation screws.

Description: Aluminum riser block and aluminum brackets with nylon tips used to guide *Like* bi-passing doors.

You may wish to stock these related parts: **N-6655.**



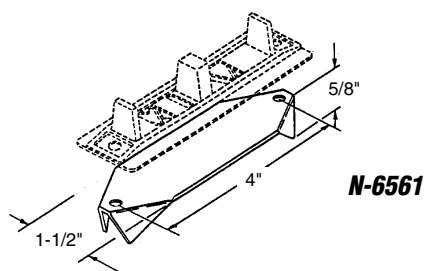
N-6561

Carpet Riser

Contents: 1 riser; (2) no. 8 x 1-1/4" Phillips pan head sheet metal screws.

Description: Plated steel riser used for mounting door guide over carpeted floors; 5/8" high rise.

You may wish to stock these related parts: **N-6560, N-6563.**



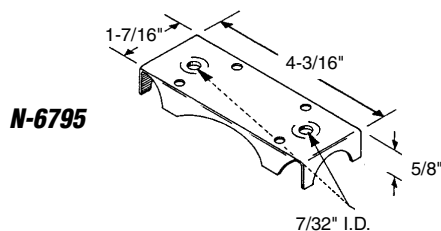
N-6795

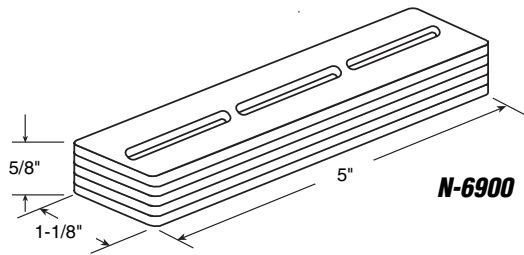
Carpet Riser

Contents: 1 riser; 1 set of fasteners.

Description: Steel riser used for mounting door guide over carpeted floors; allows 5/8" lift; designed specifically for use with **N-6796** door guide; fits on *Johnson Hardware*.

You may wish to stock these related parts: **N-6796, N-6840, N-6841.**





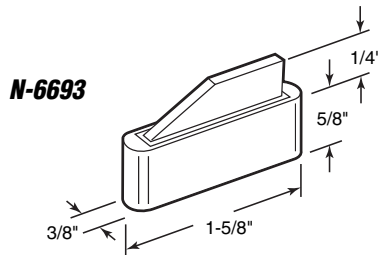
N-6900 (White)

Carpet Riser

Contents: 5 risers; 1 set of fasteners.

Description: Nylon risers used for mounting guide over carpeted floors; allows lift from 1/8" thick to 5/8".

You may wish to stock these related parts: **N-6560, N-6562, N-6563, N-6564, N-6761.**



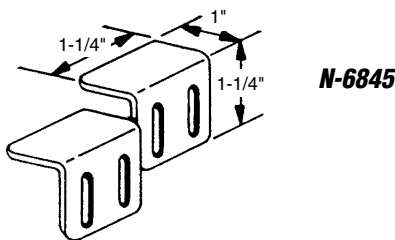
N-6693

Top Guide

Contents: 2 guides.

Description: Spring loaded nylon top guide adjusts for variations in opening height; requires a 1/8" groove in top track; fits a 1-5/8" x 3/8" x 5/8" mortise slot in door rail.

You may wish to stock these related parts: **N-6675 thru N-6692.**



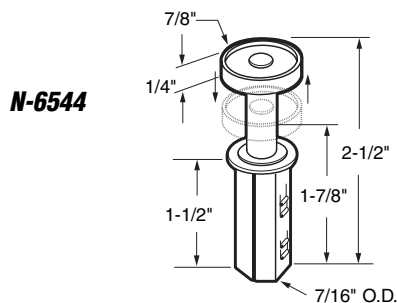
N-6845

"Jump-Proof" Guard™

Contents: 4 guards with installation screws

Description: Plated steel Jump-Proof Guard™ brackets; use 2 per door; prevents doors from jumping the track; mounts next to roller at top of door; limits upward door movement.

You may wish to stock these related parts: **N-6658; N-6846.**



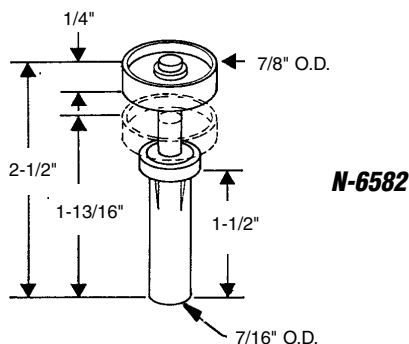
N-6544

Guide Wheel

Contents: 2 guide wheels.

Description: Spring loaded; 7/8" diameter nylon wheel; top mount; self-adjusting in track for smooth guiding of lead door; fits 1" to 1-3/8" thick bi-fold doors up to 30 lbs. each; steel base; fits on *Acme* and *Cox*.

You may wish to stock these related parts: **N-6540, N-6542, N-6543, N-6545.**



N-6582

Guide Wheel

Contents: 2 guide wheels.

Description: Spring loaded; 7/8" diameter nylon wheel; top mount; self-adjusting in track for smooth guiding of lead door; fits 1" to 1-3/8" thick bi-fold doors up to 30 lbs. each; nylon base; fits on *Cox*.

You may wish to stock these related parts: **N-6583, N-6584, N-6587.**

N-6703

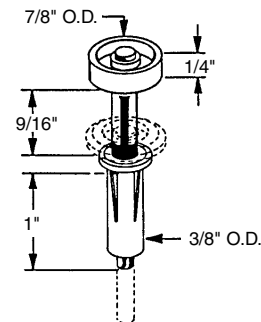
Guide Wheel

Contents: 2 guide wheels.

Description: Spring loaded **top guide** has 7/8" diameter **nylon** wheel; 3/8" diameter **nylon** base; fits on **Kenna Frame** and others.

You may wish to stock these related parts: **N-6700, N-6706.**

N-6703



N-6704

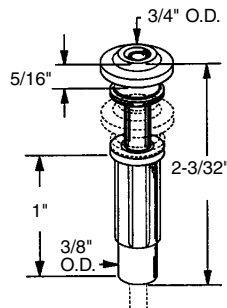
Guide Wheel

Contents: 2 guide wheels.

Description: Spring loaded **top guide** has 3/4" diameter **nylon** wheel; 3/8" diameter **nylon** base; used by many wardrobe door manufacturers.

You may wish to stock these related parts: **N-6606, N-6700, N-6706, N-6712.**

N-6704



N-6705

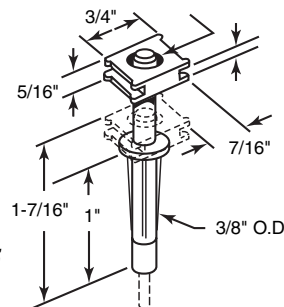
Guide

Contents: 2 guides.

Description: Spring loaded **top guide** has square **nylon** guide tip and 7/16" inside slot; 3/8" diameter **nylon** base; fits on **Alliance** and others.

You may wish to stock these related parts: **N-6700, N-6706, N-6712, N-6948.**

N-6705



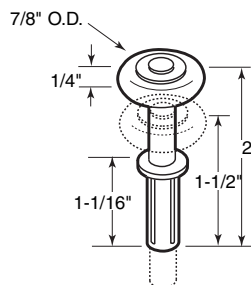
N-6953

Guide Wheel

Contents: 2 guide wheels.

Description: 7/8" diameter **nylon** wheel on spring-loaded **steel** shaft; **top mount**; **plastic** housing tapers to 3/8" diameter; use hammer to tap into drilled hole.

N-6953



N-6611

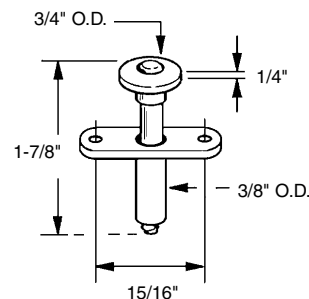
Guide Wheel

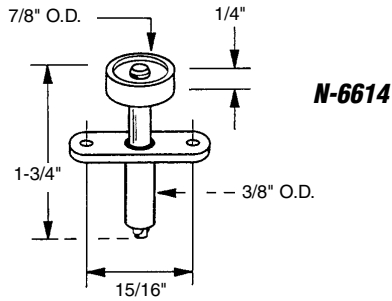
Contents: 2 guide wheels; (4) 1-1/4" nails.

Description: Spring loaded; 3/4" diameter **nylon** wheel; **top mount**; self-adjusting; **steel** base; fits 1" to 1-3/8" thick bi-fold doors up to 30 lbs. each.

You may wish to stock these related parts: **N-6612, N-6613.**

N-6611





N-6614

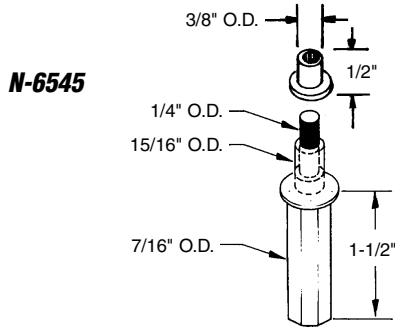
N-6614

Guide Wheel

Contents: 2 guide wheels; (4) 1-1/4" nails.

Description: Spring loaded; 7/8" diameter **nylon** wheel; top mount; self-adjusting; **steel** base; fits 1" to 1-3/8" thick bi-fold doors up to 30 lbs. each.

You may wish to stock these related parts: **N-6612, N-6613.**



N-6545

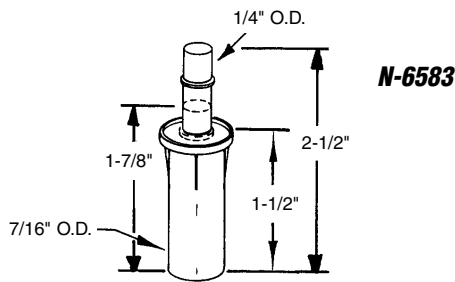
N-6545

Pivot

Contents: 2 pivots; 2 optional guide caps.

Description: **Top mount**; spring loaded pin; fits 1" to 1-3/8" thick bi-fold doors up to 50 lbs. each; **steel** base; 3/8" diameter **nylon** guide cap; fits on **Acme** and **Cox**.

You may wish to stock these related parts: **N-6534, N-6539, N-6542, N-6543, N-6546.**



N-6583

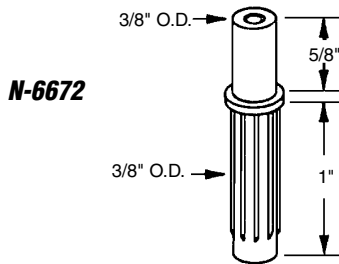
N-6583

Pivot

Contents: 2 pivots.

Description: **Top mount**; spring loaded pin; fits 1" to 1-3/8" thick bi-folding doors up to 30 lbs. each; **nylon** base; fits on **Cox**.

You may wish to stock these related parts: **N-6577, N-6584, N-6587.**



N-6672

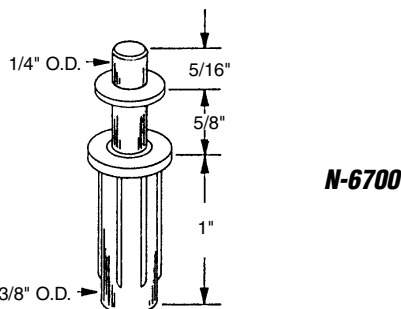
N-6672

Pivot and Guide

Contents: 4 pivot guides.

Description: **Solid nylon** guide and pivot; 3/8" diameter base; **top mount**; used by many wardrobe door manufacturers.

You may wish to stock these related parts: **N-6673, N-6674, N-6696, N-6697, N-6823.**



N-6700

N-6700

Pivot

Contents: 2 pivots.

Description: Spring loaded pivot has 1/4" diameter pin; 3/8" diameter **nylon** base; **top mount**; used by many wardrobe door manufacturers.

You may wish to stock these related parts: **N-6712, N-6713.**

N-6701

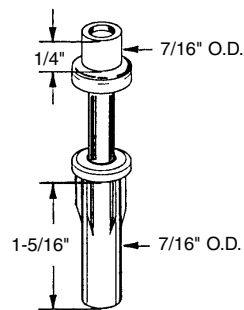
Pivot and Guide

Contents: 2 pivot guides.

Description: Spring loaded pivot guide; 7/16" diameter nylon cap with 7/16" diameter nylon base; top mount; fits on *Johnson* and others.

You may wish to stock these related parts: **N-6707; N-6844.**

N-6701



N-6702

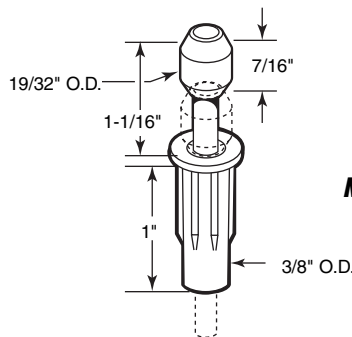
Pivot

Contents: 2 pivots.

Description: Spring loaded pivot has 19/32" diameter nylon cap; 3/8" diameter nylon base; top mount; used by many wardrobe door manufacturers.

You may wish to stock these related parts: **N-6700, N-6703, N-6706.**

N-6702



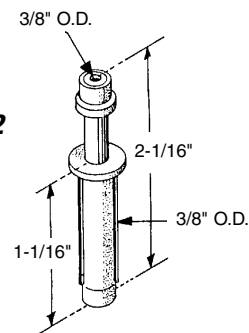
N-6782

Pivot

Contents: 2 pivots; 2 caps.

Description: Spring loaded guide with a 3/8" diameter nylon base; top mount; includes a 3/8" diameter nylon cap.

N-6782



N-6612

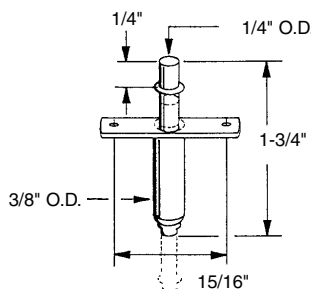
Pivot

Contents: 2 pivot assemblies; (4) 1-1/4" nails.

Description: Top mount steel pivot with concealed spring loaded pin for easy hanging and operating of doors.

You may wish to stock these related parts: **N-6611, N-6613.**

N-6612



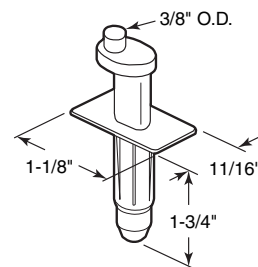
N-6982

Pivot

Contents: 2 pivots.

Description: Top mount nylon pivot; spring loaded pin for easy hanging and operating of doors.

N-6982



N-6579

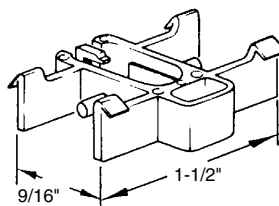
Guide

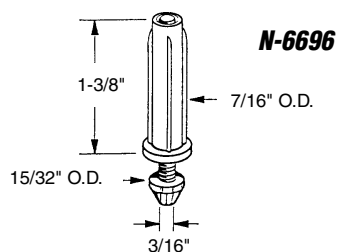
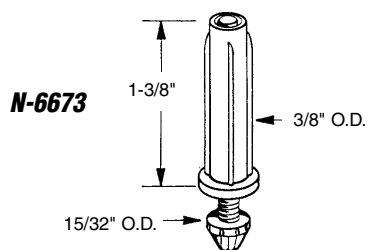
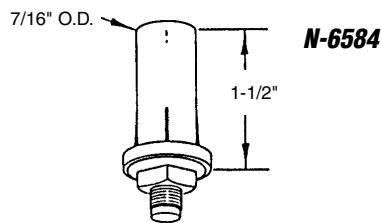
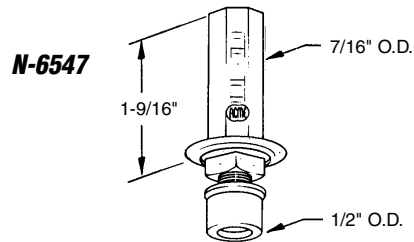
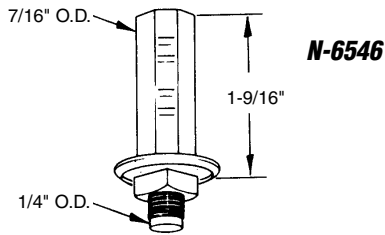
Contents: 4 top guides.

Description: Top mount; nylon guide for bi-fold doors; fits *Cox series 23*.

You may also wish to stock these related parts: **N-6580, N-6581.**

N-6579





N-6546

Pivot

Contents: 2 pivots.

Description: Bottom mount; steel pivot with hex head bolt for quick vertical adjustment; fits 1" to 1-3/8" thick bi-fold doors up to 50 lbs. each; fits on *Acme* and *Cox*.

You may wish to stock these related parts: **N-6534, N-6539, N-6542, N-6543, N-6545.**

N-6547

Guide Wheel

Contents: 2 guide wheels.

Description: Adjustable; bottom mount; steel base guide with hex head bolt for adjustment; nylon wheel cap; for 1" to 1-3/8" thick folding doors up to 50 lbs each; fits on *Acme, Cox* and *Johnson*.

You may wish to stock these related parts: **N-6534, N-6545, N-6546, N-6822.**

N-6584

Pivot

Contents: 2 pivots.

Description: Bottom mount; nylon base pivot uses hex head bolt for quick vertical adjustment; holds positive adjustment; fits 1" to 1-3/8" thick bi-fold doors up to 30 lbs. each.

You may wish to stock these related parts: **N-6582, N-6583, N-6587.**

N-6673

Pivot

Contents: 2 pivots.

Description: Adjustable steel pivot; 3/8" diameter nylon base; bottom mount; grooved tip fits no. **N-6674** pivot bracket; used by many wardrobe door manufacturers.

You may wish to stock these related parts: **N-6672, N-6674, N-6823, N-6697.**

N-6696

Pivot

Contents: 2 pivots.

Description: Adjustable steel pivot; 7/16" diameter nylon base; bottom mount; grooved tip fits no **N-6697** heavy duty pivot bracket; used by many wardrobe door manufacturers.

You may wish to stock these related parts: **N-6672.**

Bi-fold Door Hardware

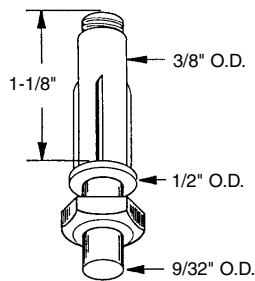
N-6706

Pivot

Contents: 2 pivots.

Description: Adjustable pivot has 3/8" diameter nylon base; **bottom mount**; used by many wardrobe door manufacturers.

You may wish to stock these related parts: **N-6543, N-6700, N-6714.**



N-6706

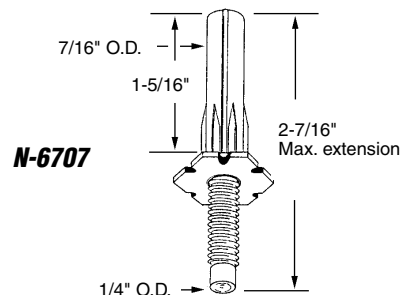
N-6707

Pivot

Contents: 2 pivots.

Description: Adjustable pivot has 7/16" diameter nylon base; 1/4" diameter steel tip; **bottom mount**; fits *Johnson* and others.

You may wish to stock these related parts: **N-6587, N-6701, N-6708, N-6711, N-6844.**



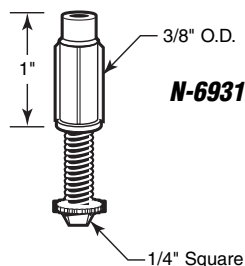
N-6707

N-6931

Pivot

Contents: 2 pivots.

Description: Adjustable pivot has 3/8" diameter nylon base; **bottom mount**; used by many wardrobe door manufacturers.



N-6931

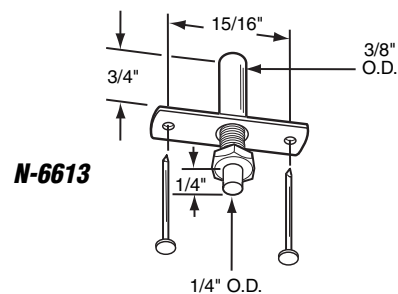
N-6613

Pivot

Contents: 2 pivots; (4) 1-1/2" nails.

Description: **Bottom mount; steel** pivot with hex head bolt for quick vertical adjustment; fits 1" to 1-3/8" thick bi-fold doors up to 30 lbs. each.

You may wish to stock these related parts: **N-6611, N-6612.**



N-6613

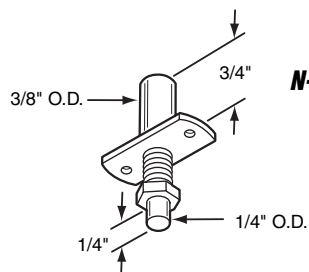
N-6644

Pivot

Contents: 1 pivot; (2) 1-1/2" drive nails.

Description: Adjustable **steel** pivot for light duty shutter doors; **bottom mount**.

You may wish to stock these related parts: **N-6643.**



N-6644

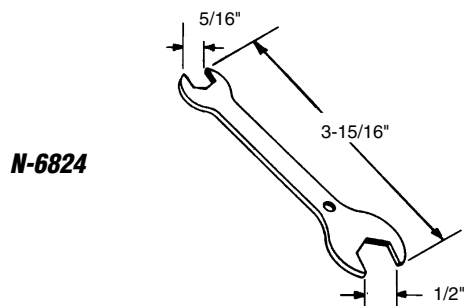
N-6824

Pivot Wrench

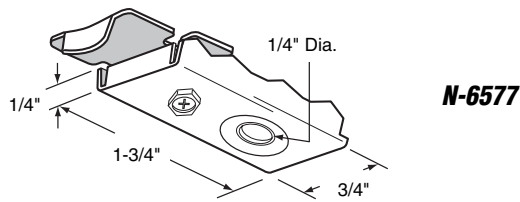
Contents: 1 wrench.

Description: **Stamped steel** wrench to adjust bottom pivot nuts.

You may wish to stock these related parts: **N-6542, N-6543, N-6546.**



N-6824



N-6577

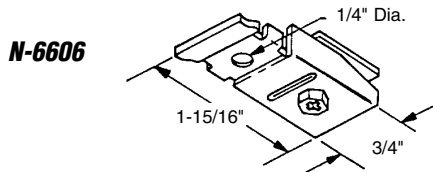
N-6577

Pivot Bracket

Contents: 1 bracket.

Description: Steel pivot bracket, for bi-folding doors; mounts into top track and accepts a 1/4" diameter spring loaded pin; for 7/8" wide tracks; fits on *Cox*.

You may wish to stock these related parts: **N-6582 thru N-6584, N-6587.**



N-6606

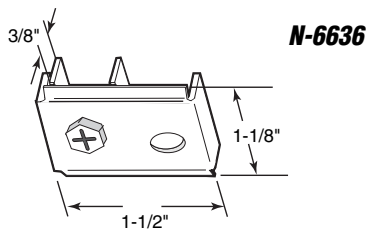
N-6606

Pivot Bracket

Contents: 1 bracket.

Description: Steel pivot bracket for bi-folding doors; mounts into top track; adjustable, used on *Acme "2900" series*.

You may wish to stock these related parts: **N-6539, N-6543, N-6544, N-6545, N-6656.**



N-6636

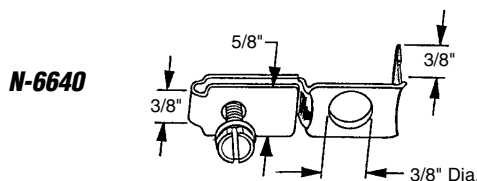
N-6636

Pivot Bracket

Contents: 1 bracket.

Description: Pivot bracket mounts into top track; stamped steel construction; used on *Acme "2600" series*.

You may wish to stock these related parts: **N-6534, N-6545, N-6546.**



N-6640

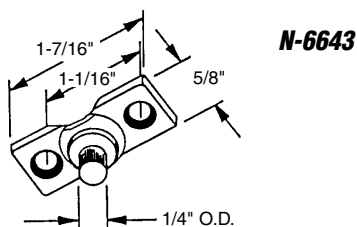
N-6640

Pivot Bracket

Contents: 1 bracket.

Description: Adjustable pivot bracket mounts into top or bottom track; stamped steel; fits on *Slimfold* and others.

You may wish to stock these related parts: **N-6637 thru N-6639.**



N-6643

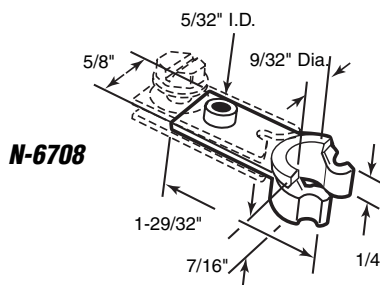
N-6643

Pivot Bracket

Contents: 1 bracket; (2) no. 8 x 3/4" screws.

Description: Steel pivot bracket used on light duty shutter doors; top mounted.

You may wish to stock these related parts: **N-6644.**



N-6708

N-6708

Pivot Insert

Contents: 2 inserts.

Description: Nylon insert; installs into top track to accept top pivot; replaces *Johnson "old style"* hardware.

You may wish to stock these related parts: **N-6836, N-6701, N-6707.**

Call for
Availability

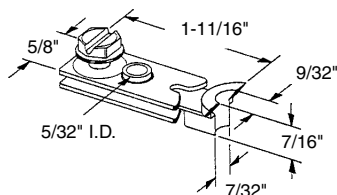
N-6709

Pivot Bracket

Contents: 1 bracket.

Description: Nylon base; steel bracket; installs into top track to accept top pivot; replaces *Johnson "old style"* hardware.

You may wish to stock these related parts: **N-6701, N-6707, N-6710.**



N-6709

N-6710

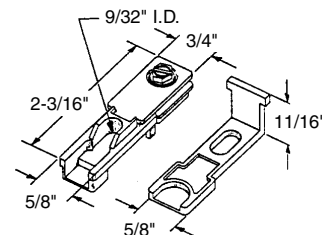
Pivot Bracket

Contents: 1 bracket.

Description: Plastic base; steel track clip; installs into top track to accept top pivot pin; replaces *Johnson "new style"* hardware.

You may wish to stock these related parts: **N-6831, N-6833, N-6834.**

N-6710



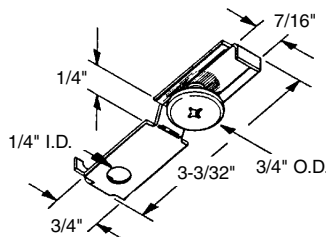
N-6712

Pivot Bracket

Contents: 1 bracket.

Description: Stamped steel bracket installs into top track; accepts top pivot pin; used on *Alliance duo-fold series "500"*.

You may wish to stock these related parts: **N-6700, N-6706, N-6714.**



N-6712

N-6713

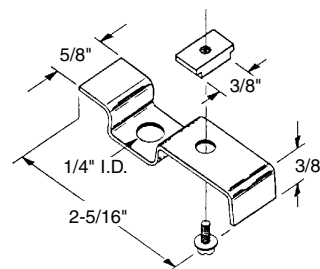
Pivot Bracket

Contents: 1 bracket.

Description: Stamped steel bracket installs into top track; accepts top pivot pin; used on *Alliance series "400"* bi-folding doors.

You may wish to stock these related parts: **N-6700, N-6704, N-6706.**

N-6713



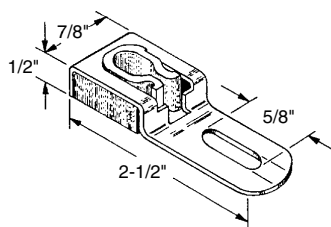
N-6792

Pivot Bracket

Contents: 1 bracket.

Description: Nylon pivot block mounted in a steel bracket; for a 1/4" diameter pin; mounts into top track.

You may wish to stock these related parts: **N-6784, N-6785, N-6786.**



N-6792

N-6798

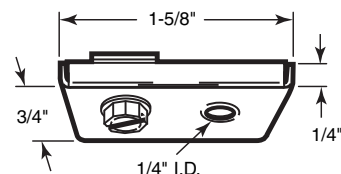
Pivot Bracket

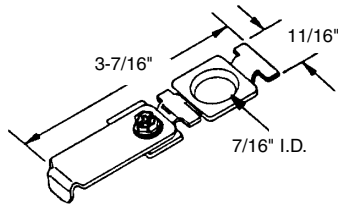
Contents: 1 bracket.

Description: Steel pivot bracket for bi-folding door top track; adjustable; fits on *Kennafame Door Systems*.

You may wish to stock these related parts: **N-6802, N-6799, N-6800.**

N-6798





N-6844

N-6844

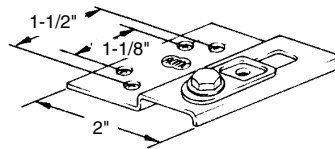
Pivot Bracket

Contents: 1 bracket.

Description: Stamped steel bracket installs into top track; accepts top pivot pin; for wood folding panel doors; used on *Johnson Hardware series "1800" and "1825"* door systems.

You may wish to stock these related parts: **N-6701, N-6707, N-6837.**

N-6542



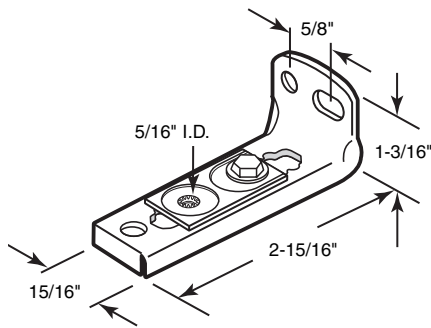
N-6542

Pivot Bracket

Contents: 1 bracket; (4) no. 8 x 3/4" Phillips pan head sheet metal screws.

Description: Adjustable, stamped steel floor mount bracket; self lubricating nylon bushing; for 1" to 1-3/8" thick folding doors up to 50 lbs. each; fits on *Acme*.

You may wish to stock these related parts: **N-6539, N-6540, N-6545, N-6546.**



N-6543

N-6543

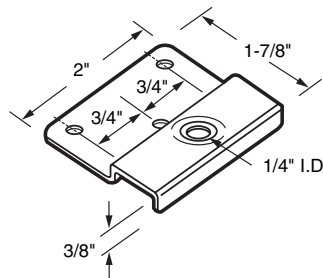
Pivot Bracket

Contents: 1 bracket; (2) no. 8 x 3/4" Phillips flat head sheet metal screws; (1) no. 8 x 1-1/4" Phillips flat head sheet metal screw.

Description: Adjustable, stamped steel bracket; floor/jamb mounting; self lubricating nylon bushing; for 1" to 1-3/8" thick folding doors up to 50 lbs. each; fits on *Acme*.

You may wish to stock these related parts: **N-6539, N-6540, N-6545, N-6546.**

N-6586



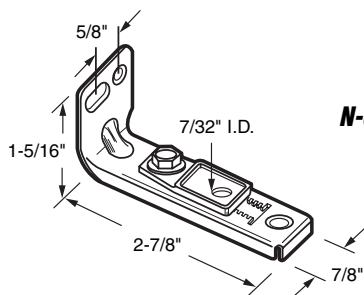
N-6586

Pivot Bracket

Contents: 1 bracket; (3) no. 8 x 3/4" Phillips pan head sheet metal screws.

Description: Floor mounting bracket; stamped steel; for 1" to 1-3/8" thick bi-folding door up to 50 lbs. each.

You may wish to stock these related parts: **N-6582, N-6583, N-6584, N-6585.**



N-6587

N-6587

Pivot Bracket

Contents: 1 bracket; (4) no. 8 x 3/4" Phillips flat head sheet metal screws.

Description: Adjustable stamped steel bracket; floor/jamb mounting with nylon bushing; adjusts door horizontally; for 1" to 1-3/8" thick folding doors up to 50 lbs. each; fits on *Cox*.

You may wish to stock these related parts: **N-6580 thru N-6585.**

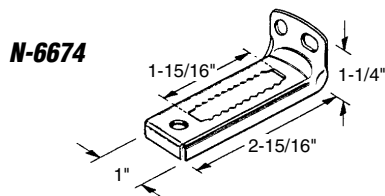
N-6674

Pivot Bracket

Contents: 1 bracket; (3) no. 8 x 3/4" Phillips flat head sheet metal screws.

Description: Adjustable floor/jamb mounting bracket, stamped steel; designed for lightweight (up to 30 lbs) hollow core and louver type door panels.

You may wish to stock these related parts: **N-6673, N-6823, N-6696**



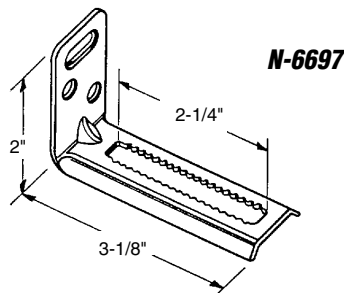
N-6697

Pivot Bracket

Contents: 1 bracket; (3) no. 8 x 3/4" Phillips flat head sheet metal screws.

Description: Adjustable; floor/jamb mounting bracket; stamped steel; extra heavy duty design for optional mounting on jamb above floor; used by many wardrobe door manufacturers.

You may wish to stock these related parts: **N-6673, N-6696**.



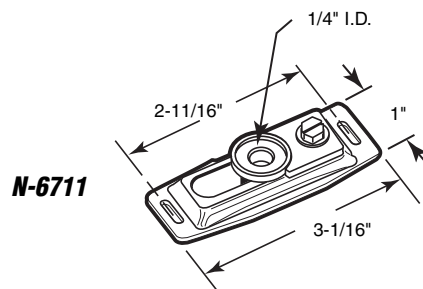
N-6711

Pivot Bracket

Contents: 1 bracket; (2) no. 8 x 1-1/4" Phillips pan head sheet metal screws.

Description: Floor mounted steel bracket with nylon bushing insert accepts a 1/4" diameter pivot pin; fits on *Johnson Hardware*.

You may wish to stock these related parts: **N-6701, N-6707, N-6710, N-6836, N-6837**.



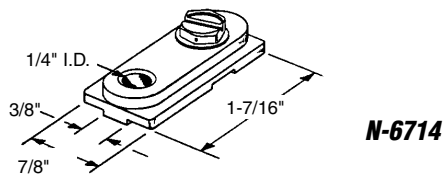
N-6714

Top Pivot Bracket

Contents: 2 inserts.

Description: Nylon insert installs onto floor bracket of bi-folding door; allows for horizontal adjustment; fits on *Alliance duo-fold series "500"*.

You may wish to stock these related parts: **N-6700, N-6705, N-6706, N-6712**.



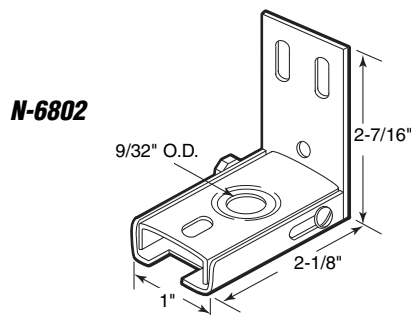
N-6802

Pivot Bracket

Contents: 1 bracket; installation screws.

Description: Stamped steel, adjustable, floor/jamb mounting bracket; fits on *Kennafame Door Systems*.

You may wish to stock these related parts: **N-6700, N-6703, N-6706, N-6798**.



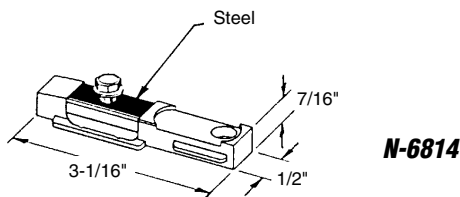
N-6814

Pivot Bracket

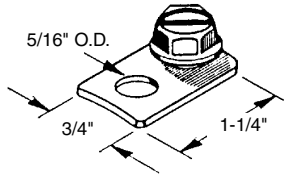
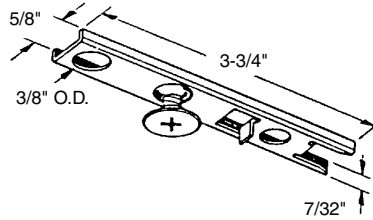
Contents: 1 bracket.

Description: Nylon body with steel retainer plate and screw for bi-folding door top track; fits on *Acme*.

You may wish to stock these related parts: **N-6815, N-6816**.

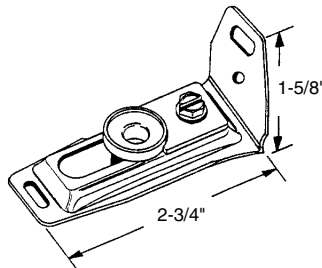
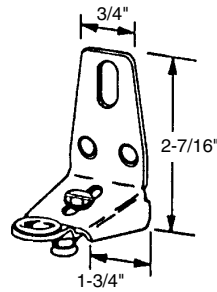


N-6823



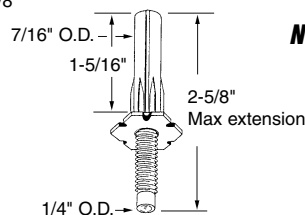
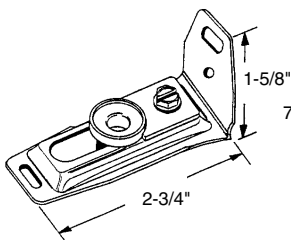
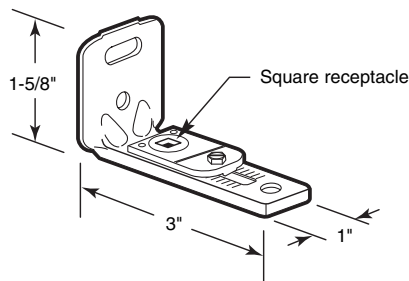
N-6828

N-6836



N-6837

N-6932



N-6962

N-6823

Pivot Bracket

Contents: 1 bracket with screw.

Description: Steel bracket for bi-folding door top track; fits 5/8" wide track; fits on *Acme*.

You may wish to stock these related parts: **N-6672, N-6673, N-6674.**

N-6828

Pivot Bracket

Contents: 1 pivot bracket with screw.

Description: Steel pivot bracket for bi-folding door top track; fits on *Monarch Door*.

You may wish to stock these related parts: **N-6660, N-6788, N-6804, N-6805.**

N-6836

Heavy Duty Pivot Bracket

Contents: 1 pivot bracket; 3 installation screws.

Description: Heavy duty steel bracket; jamb mounted; 4-way adjustable pivot point, (in and out), (left and right); accepts a 9/32" diameter pivot; fits on *Johnson Hardware*.

You may wish to stock these related parts: **N-6710, N-6831, N-6833, N-6834.**

N-6837

Pivot Bracket

Contents: 1 bracket; 3 installation screws.

Description: Adjustable floor/jamb mount bracket with nylon bushing; used on *Johnson Hardware series 1800*.

You may wish to stock these related parts: **N-6701, N-6707, N-6844.**

N-6932

Pivot Bracket

Contents: 1 bracket; 3 installation screws; 1 wrench (N-6824).

Description: Adjustable floor/jamb mount steel bracket with nylon bushing.

You may wish to stock these related parts: **N-6931.**

N-6962

Pivot Bracket & Pin Kit

Contents: 1 bracket; 1 pin; 3 installation screws.

Description: Stamped steel, floor/jamb mount bracket with nylon bushing; bottom pivot with steel pin; nylon base; fits on *Johnson Hardware*.

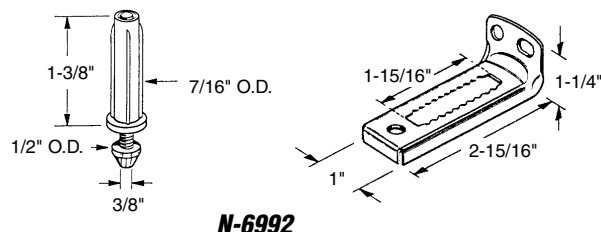
You may wish to stock these related parts: **N-6701, N-6844.**

N-6992

Pivot Bracket & Pin Kit

Contents: 1 bracket; 1 pin; 3 installation screws.

Description: Stamped steel, floor/jamb mount bracket; bottom pivot with steel pin; nylon base; used by many manufacturers.



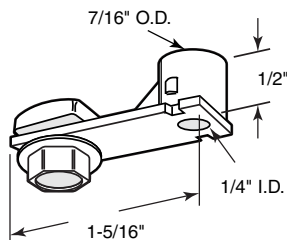
N-6992

N-6947

Pivot Bracket

Contents: 1 bracket; 5/16"-18 x 1/2" hex washer head machine screw with nut.

Description: Nylon base; bi-fold door pivot bracket; nylon body; fits on *Peachtree Door Company*.



N-6947

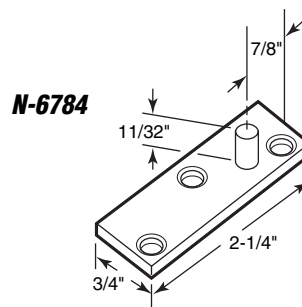
N-6784

Top Pivot

Contents: 1 pivot with installation screws.

Description: Cadmium plated steel top pivot; 11/32" high x 1/4" diameter pivot rod, off-center by 1/16"; used by many wardrobe manufacturers.

You may wish to stock these related parts: **N-6785, N-6786.**



N-6784

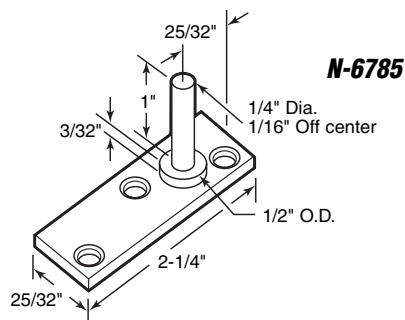
N-6785

Top Pivot

Contents: 1 pivot with installation screws.

Description: Cadmium plated steel top pivot; 1" high x 1/4" diameter pivot rod, off-center by 1/16"; used by many wardrobe manufacturers.

You may wish to stock these related parts: **N-6784, N-6786, N-6792.**



N-6785

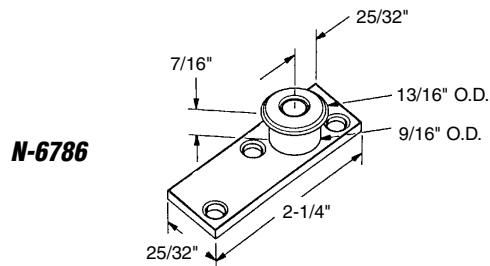
N-6786

Top Roller Guide

Contents: 1 pivot with installation screws.

Description: Cadmium plated steel base; nylon roller is 7/16" high x 13/16" diameter, and is off-center by 1/16"; used by many wardrobe manufacturers.

You may wish to stock these related parts: **N-6784, N-6785.**



N-6786

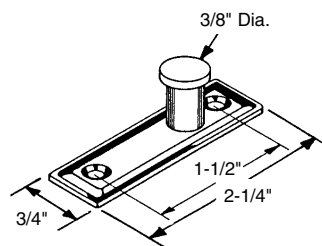
N-6831

Top Pivot

Contents: 1 pivot with installation screws.

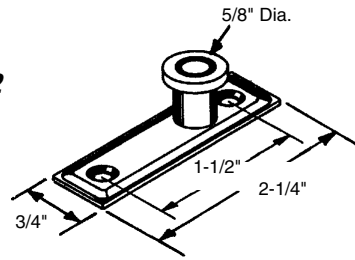
Description: Steel pivot and bracket; fits on *Johnson Hardware*.

You may wish to stock these related parts: **N-6833, N-6834.**



N-6831

N-6832



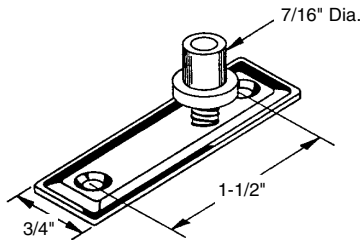
N-6832

Top Guide

Contents: 1 guide with installation screws.

Description: Steel bracket with spring loaded nylon guide; fits on *Johnson Hardware*; old style top guide used until approx. 1986; replaced by N-6833.

You may wish to stock these related parts: N-6710, N-6831.



N-6833

N-6833

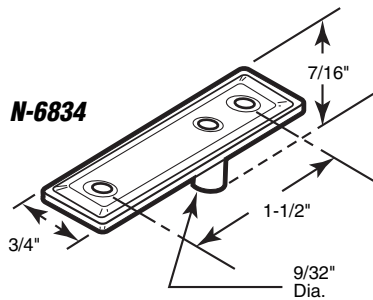
Top Guide

Contents: 1 guide assembly with installation screws.

Description: Steel bracket; spring loaded nylon guide; fits on *Johnson Hardware*.

You may wish to stock these related parts: N-6710, N-6831, N-6834.

N-6834



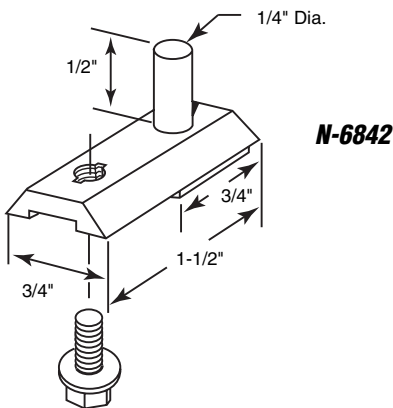
N-6834

Bottom Pivot

Contents: 1 pivot with installation screws.

Description: Steel bracket and pivot; fits on *Johnson Hardware*.

You may wish to stock these related parts: N-6831, N-6833, N-6836, N-6848.



N-6842

N-6842

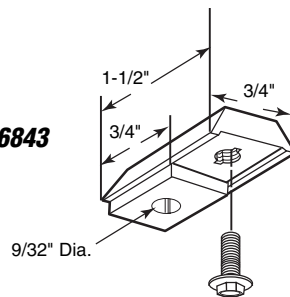
Bottom Pivot Bracket

Contents: 1 pivot with machine screw and washer.

Description: Nylon pivot; fits on *National Bi-Fold*.

You may wish to stock these related parts: N-6783, N-6812.

N-6843



N-6843

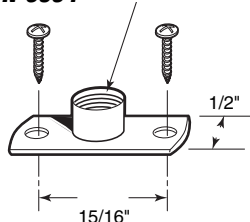
Top Pivot Bracket

Contents: 1 bracket with machine screw and washer.

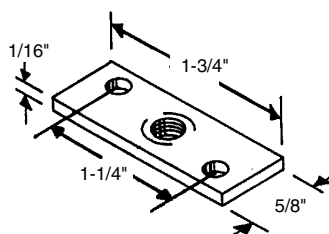
Description: Bi-fold door pivot bracket; nylon body; fits on *National Bi-Fold*.

You may wish to stock these related parts: N-6783, N-6812.

N-6954 5/16"-18 thread



N-6797



N-6797 (4 plates per card)
N-6954 (2 plates per card)

Pivot Pin Mounting Plate

Contents: Plates with screws.

Description: Stamped steel, threaded reinforcement plate for bi-fold pins; universal design.

N-6540

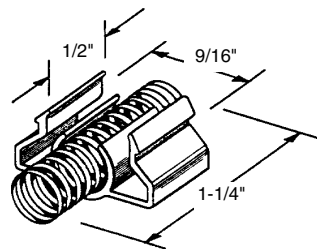
Two-Door Snugger

Contents: 2 snuggers.

Description: Steel spring with nylon retainer sleeve; top mounting; self-adjusting; for holding doors in closed position; fits *Acme series "2400" and "2900"*.

You may wish to stock these related parts: **N-6543, N-6544, N-6545, N-6546.**

N-6540



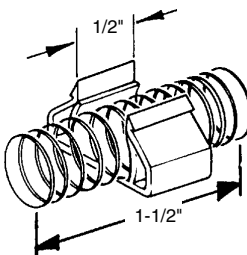
N-6580

Two-Door Snugger

Contents: 2 snuggers.

Description: Steel spring with nylon retainer sleeve; top mounting; self-adjusting; for holding doors in closed position; fits *Cox series 23*.

You may wish to stock these related parts: **N-6582, N-6583 thru N-6587.**



N-6580

N-6799

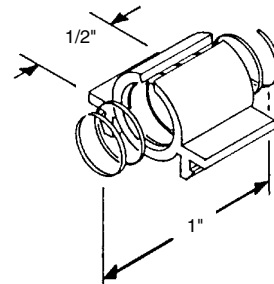
Two-Door Snugger

Contents: 2 snuggers.

Description: Steel spring with nylon retainer sleeve; top mounting; self-adjusting; for holding doors in closed position; fits *Kennaframe door systems*.

You may wish to stock these related parts: **N-6700, N-6703, N-6706.**

N-6799

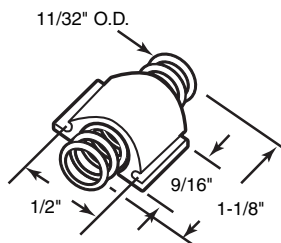


N-6825

Two-Door Snugger

Contents: 2 snuggers.

Description: Steel spring with nylon retainer sleeve; top mounting; self-adjusting; for holding doors in closed position; fits *Acme series "2800" door systems*.



N-6825

N-6983

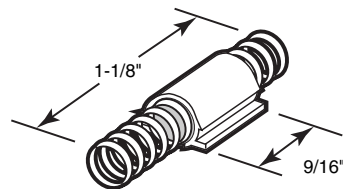
Two-Door Snugger

Contents: 2 snuggers.

Description: Steel spring with nylon retainer sleeve; top mounting; self-adjusting; for holding doors in closed position; fits *Alliance door systems*.

You may wish to stock these related parts: **N-6700, N-6706, N-6712**

N-6983

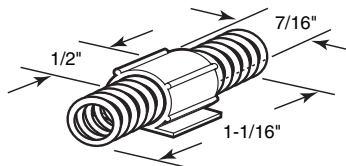


N-6985

Two-Door Snugger

Contents: 2 snuggers.

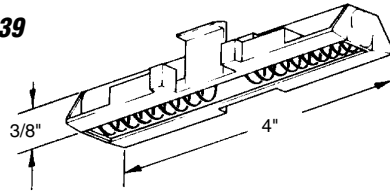
Description: Steel spring with nylon retainer sleeve; top mounting; self-adjusting; for holding doors in closed position; fits *Acme series "2800" door systems*.



N-6985

You may wish to stock these related parts: **N-6672, N-6673, N-6674, N-6823.**

N-6539



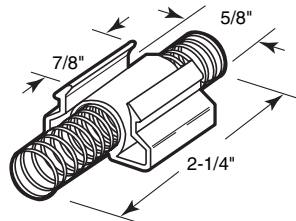
N-6539

Slide Guide

Contents: 2 guide assemblies.

Description: Top mount; two-way spring snuggler; **steel** springs with **nylon** retainer; fits 1" to 1-3/8" thick bi-fold doors when opening or closing; fits on **Acme**.

You may wish to stock these related parts: **N-6543, N-6545, N-6546.**



N-6541

N-6541

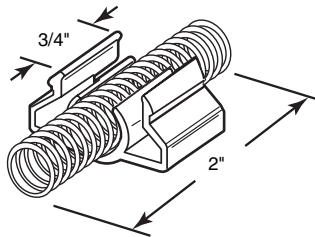
Four-Door Snuggler

Contents: 2 snuggers.

Description: **Steel** spring with **nylon** retainer sleeve; top mounting; self-adjusting; for holding doors in closed position; fits "**Acme**" series 2400 and 2900, 1" bi-fold track.

You may wish to stock these related parts: **N-6539, N-6540, N-6545, N-6546, N-6672, N-6673.**

N-6581



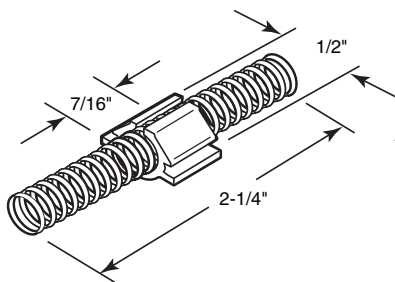
N-6581

Four Door Snuggler

Contents: 2 snuggers.

Description: **Steel** spring with **nylon** retainer sleeve; top mounting; self-adjusting; snap into top track between pairs of doors to hold them together in the closed position; fits **Cox series 23.**

You may wish to stock these related parts: **N-6582 thru N-6587.**



N-6762

N-6762

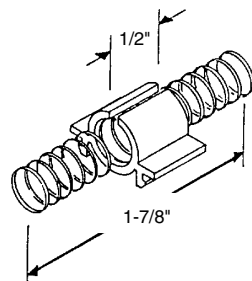
Four-Door Snuggler

Contents: 2 snuggers.

Description: **Steel** spring with **nylon** retainer sleeve; top mounting; fits 3/4" wide track; installs between pairs of doors for holding doors in the closed position.

You may wish to stock these related parts: **N-6656.**

N-6800



N-6800

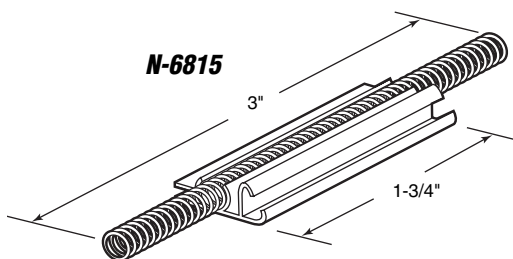
Four-Door Snuggler

Contents: 2 snuggers.

Description: **Steel** spring with **nylon** retainer sleeve; snap into top track of a four-door bi-fold for quiet cushioned closing; fits **Kennafame Door Systems.**

You may wish to stock these related parts: **N-6700, N-6798.**

N-6815



N-6815

Four-Door Snuggler

Contents: 2 snuggers.

Description: **Steel** spring with **nylon** retainer sleeve; snap in design; used on **Contractor series 4000** and **Acme Bi-Fold door systems.**

You may wish to stock these related parts: **N-6814, N-6816, N-6545, N-6546.**

Call for
Availability

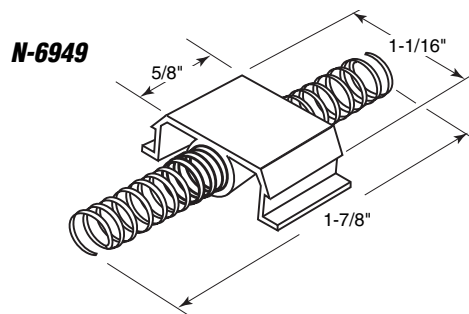
N-6949

Four-Door Snugger

Contents: 2 snuggers.

Description: Steel spring with nylon retainer sleeve; top mounting; self-adjusting; snaps into track between pairs of doors for holding doors in closed position; fits *Acme 2600 "fold aside" series*.

You may wish to stock these related parts: **N-6636, N-6534, N-6545, N-6546.**



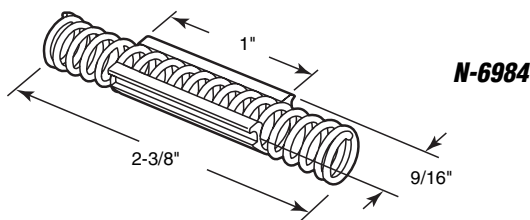
N-6984

Four-Door Snugger

Contents: 2 snuggers.

Description: Steel spring with nylon retainer sleeve; top mounting; self-adjusting; snaps into track between pairs of doors for holding doors in closed position; fits *Alliance* door systems.

You may wish to stock these related parts: **N-6700, N-6706, N-6712**



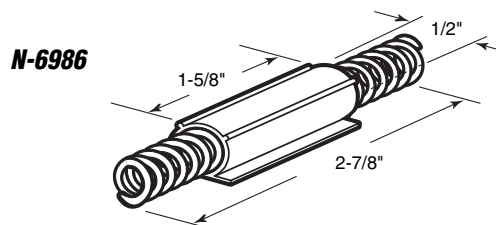
N-6986

Four-Door Snugger

Contents: 2 snuggers.

Description: Steel spring with nylon retainer sleeve; top mounting; self-adjusting; snaps into track between pairs of doors for holding doors in closed position; fits *Acme series 2800* door systems.

You may wish to stock these related parts: **N-6672, N-6673, N-6674, N-6823.**



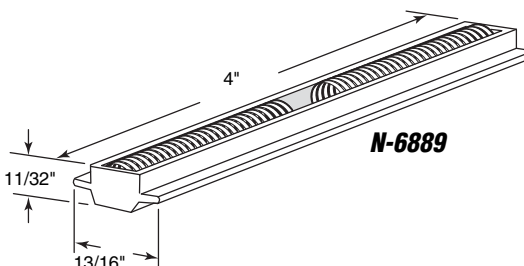
N-6889

Bottom Slide Guide

Contents: 2 guide assemblies.

Description: Two-way spring snugger; steel springs in nylon retainer; fits 1" to 1-3/8" thick bi-fold doors when opening or closing; fits on *Stanley*.

You may wish to stock these related parts: **N-6539.**



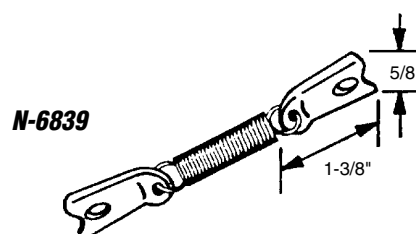
N-6839

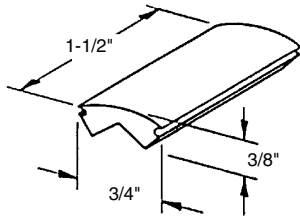
Bi-fold Door Spring

Contents: 1 door spring assembly; 1 set installation screws.

Description: Plated steel brackets and spring; holds bi-folding doors securely closed; fits on *Johnson Hardware*.

You may wish to stock these related parts: **N-6836, N-6838.**





N-6819

N-6819

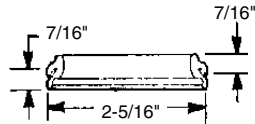
Bi-fold Door Snagger

Contents: 2 snaggers.

Description: Rubber bumpers used on the top and bottom tracks; snap-in design; used to hold doors securely closed; manufactured by *Monarch Doors*.

You may wish to stock these related parts: **N-6733, N-6741, N-6742, N-6804, N-6805.**

N-6641



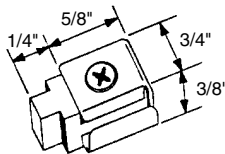
N-6641

Top Track Bumper

Contents: 1 bumper.

Description: Rubber bumper fits onto top track of bi-folding doors; fits on *Slimfold* and others.

You may wish to stock these related parts: **N-6637, N-6638, N-6639, N-6640.**



N-6838

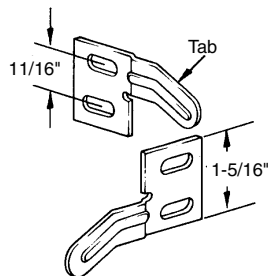
N-6838

Bumper

Contents: 1 stop.

Description: Rubber stop in a steel retainer; mounts into track channel; prevents over travel of doors; fits a 5/8" track; fits on *Johnson Hardware series 1700*.

You may wish to stock these related parts: **N-6831 thru N-6834, N-6836.**



N-6538

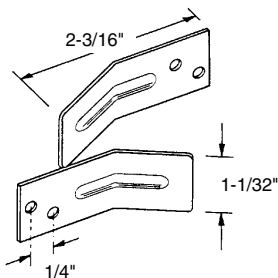
N-6538

Surface Aligner

Contents: 1 set of aligners; 4 no. 8 x 3/4" Phillips pan head sheet metal screws.

Description: Zinc plated steel aligner; mounts to back of lead doors to keep them tightly closed; universal, for 4 door systems.

You may wish to stock these related parts: **N-6544 thru N-6547.**



N-6585

N-6585

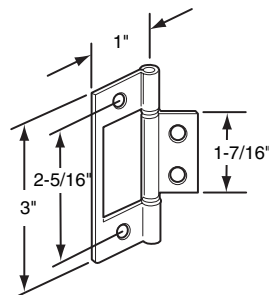
Surface Aligner

Contents: 1 set of aligners; 4 no. 8 x 3/4" Phillips pan head sheet metal screws.

Description: Zinc plated steel aligner; mounts to back of lead doors to keep them tightly closed; universal, for 4 door systems.

You may wish to stock these related parts: **N-6581 thru N-6583.**

N-6656



N-6656

Non-Mortise Hinge

Contents: 2 hinges; 8 flat head sheet metal screws.

Description: Brass plated steel hinge has cut out to allow for non-mortise installation; used by many wardrobe door manufacturers.

You may wish to stock these related parts: **N-6544, N-6546, N-6672, N-6673, N-6700, N-6706.**

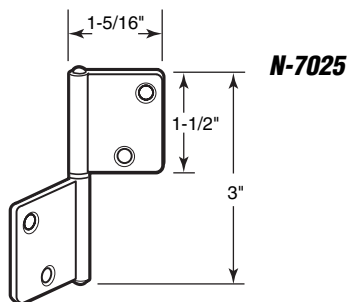
N-7025

Hinge

Contents: 2 hinges; 8 flat head sheet metal screws.

Description: Brass plated steel hinge; non-mortise installation; used by many wardrobe door manufacturers.

You may wish to stock these related parts: **N-6656, N-6754, N-6755, N-6756.**



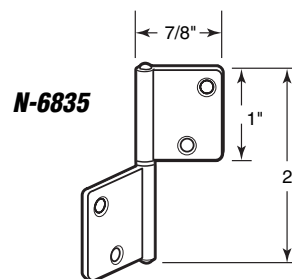
N-6835

Shutter Hinge

Contents: 2 hinges; 8 flat head sheet metal screws.

Description: Brass plated steel hinge; used on bi-folding shutter doors; non-mortise installation.

You may wish to stock these related parts: **N-6656; N-6658.**



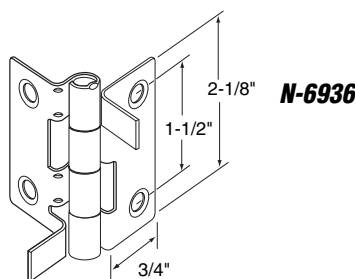
N-6936

Non-Mortise Hinge

Contents: 2 hinges; 8 flat head sheet metal screws.

Description: Brass plated steel hinge; used on bi-folding doors; designed by *Johnson Hardware*.

You may wish to stock these related parts: **N-6701, N-6707, N-6837, N-6844.**



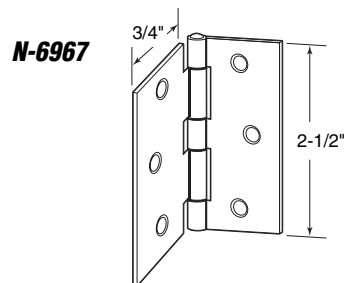
N-6967

Light Duty Hinge

Contents: 2 hinges; 12 flat head sheet metal screws.

Description: Zinc plated steel hinge; lightweight; narrow leaf, ideal for older wood bi-fold doors.

You may wish to stock these related parts: **N-6658, N-6754, N-6655.**



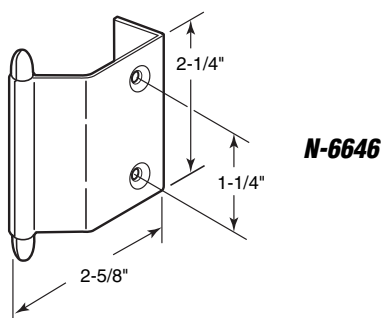
N-6646

Handle Assembly

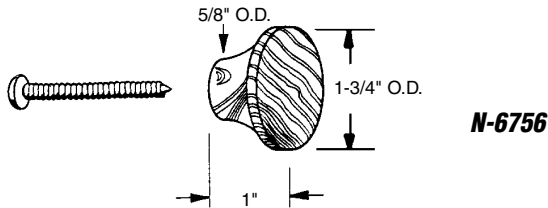
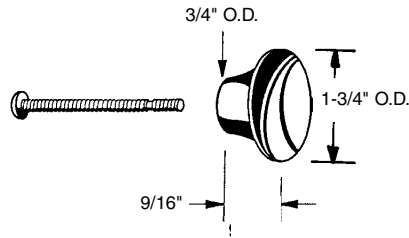
Contents: 1 handle assembly; installation fasteners.

Description: Chrome plated steel handle used on *Slimfold* bi-folding mirror doors.

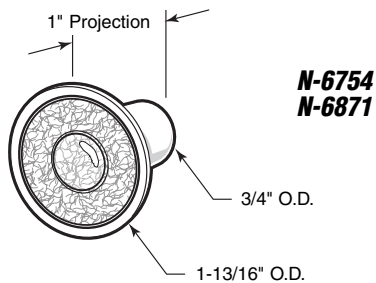
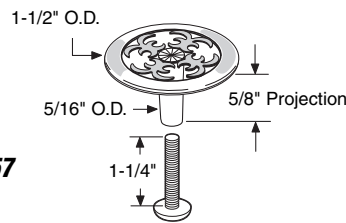
You may wish to stock these related parts: **N-6637 thru N-6642.**



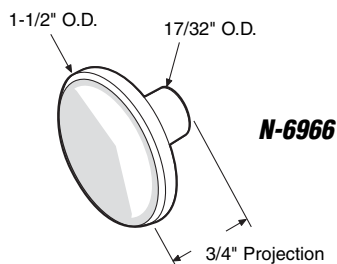
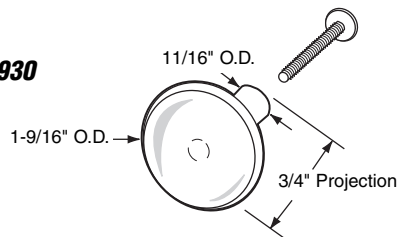
N-6755



N-6757



N-6930



N-6755

Knob

Contents: 2 knobs; 2 installation screws.

Description: Brass plated stamped steel knob used on wood bi-fold door panels.

You may wish to stock these related parts: **N-6656, N-6658.**

N-6756

Knob

Contents: 2 knobs; 2 installation screws.

Description: Hardwood knob used on wood bi-fold door panels.

You may wish to stock these related parts: **N-6656, N-6658.**

N-6757

Knob

Contents: 2 knobs; 2 installation screws.

Description: Antique brass plated diecast decorative knob for wood bi-fold door panels.

You may wish to stock these related parts: **N-6656, N-6658.**

N-6754 (Ivory)

N-6871 (Brown)

Knob

Contents: 2 knobs; 2 installation screws.

Description: Plastic knob used on hollow core or solid wood bi-fold door panels.

You may wish to stock these related parts: **N-6656, N-6658.**

N-6930

Knob

Contents: 2 knobs; 2 installation screws.

Description: Brass plated diecast knob used on hollow core or solid wood bi-fold door panels.

You may wish to stock these related parts: **N-6656, N-6658.**

N-6966

Knob

Contents: 2 knobs; 2 installation screws

Description: White painted diecast knob used on hollow core or solid wood bi-fold door panels.

You may wish to stock these related parts: **N-6656, N-6658.**

Bi-fold Door Hardware

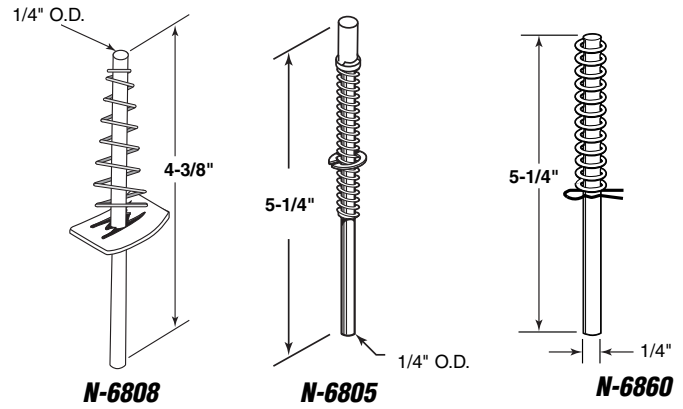
Pivot & Guide Pins

Contents: 1 pin assembly.

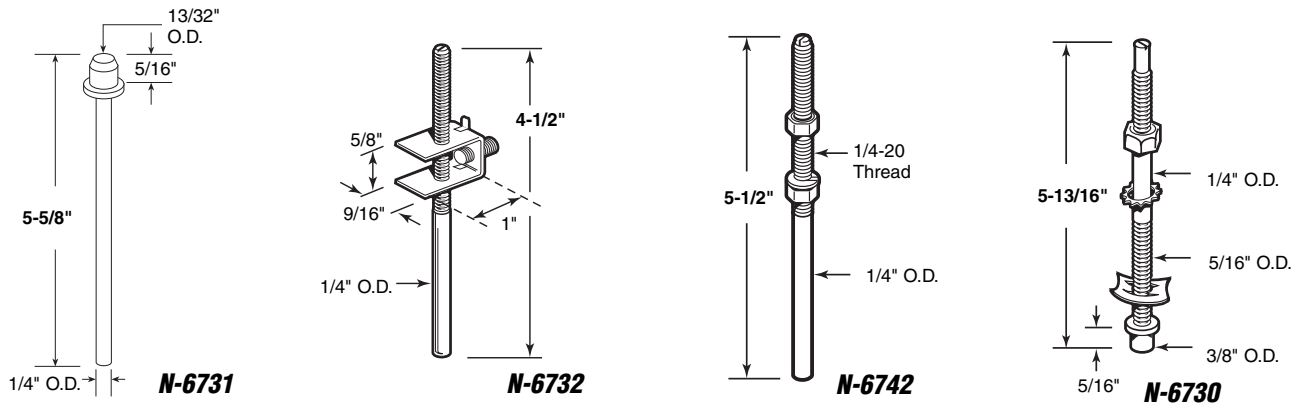
Description: Steel guide pins & top and bottom pivot pins; all caps shown are white nylon.

1/4" Diameter Pins

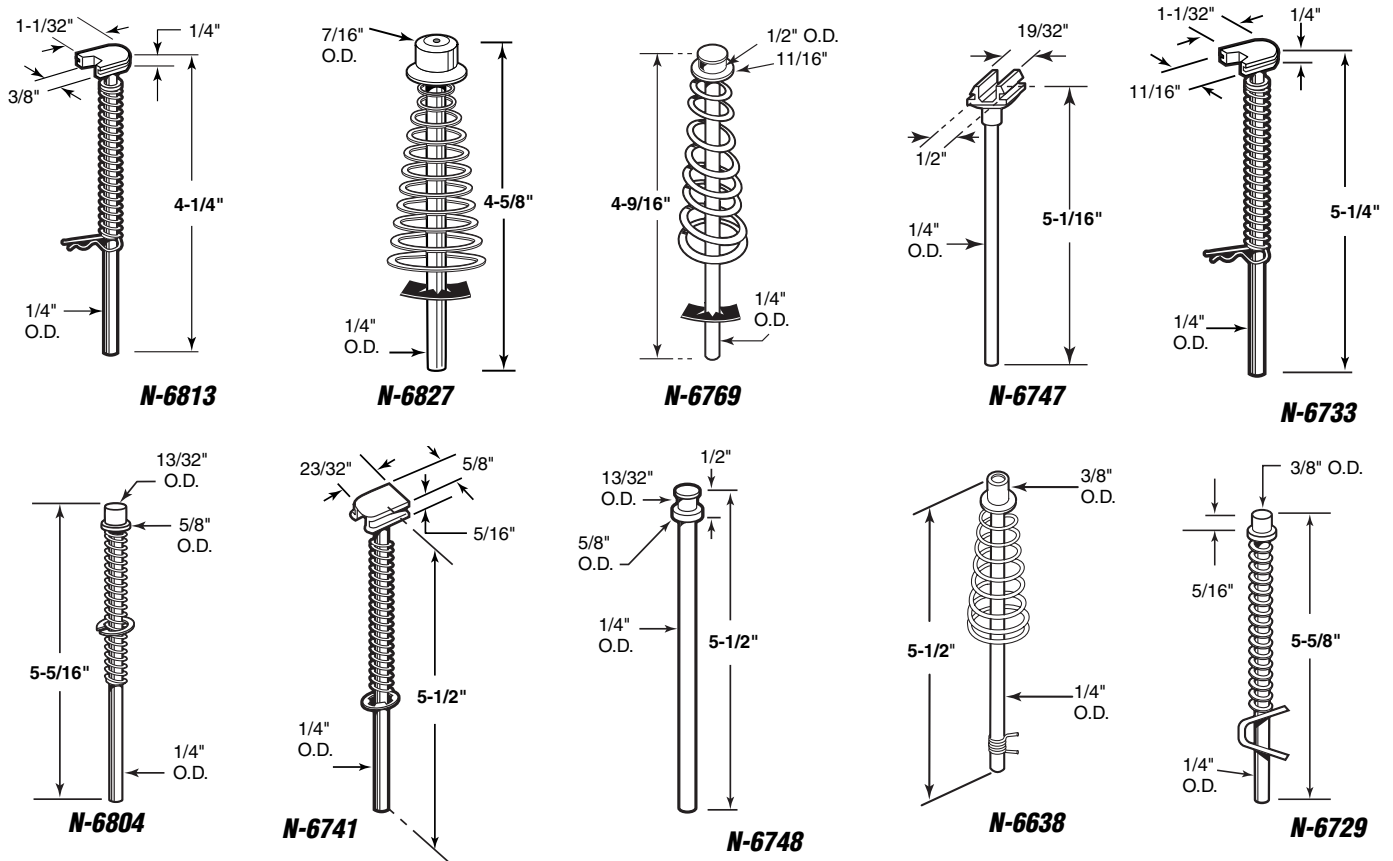
Top Pivots



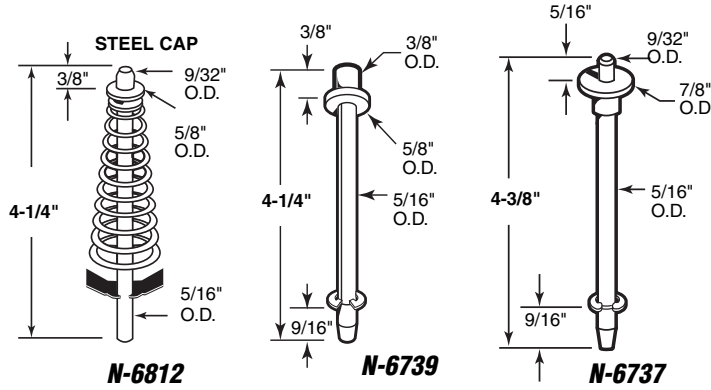
Bottom Pivots



Guide Pins



Top Pivots

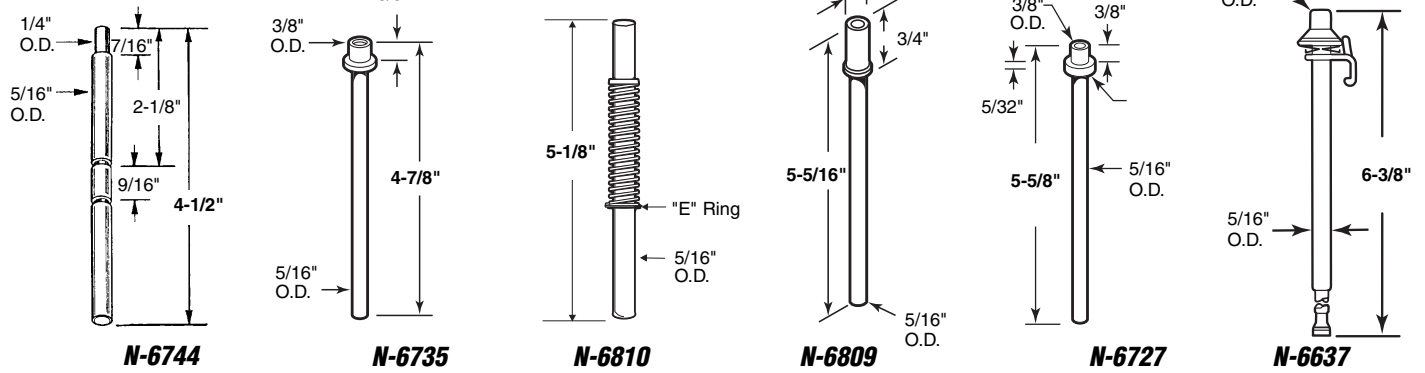


Pivot & Guide Pins

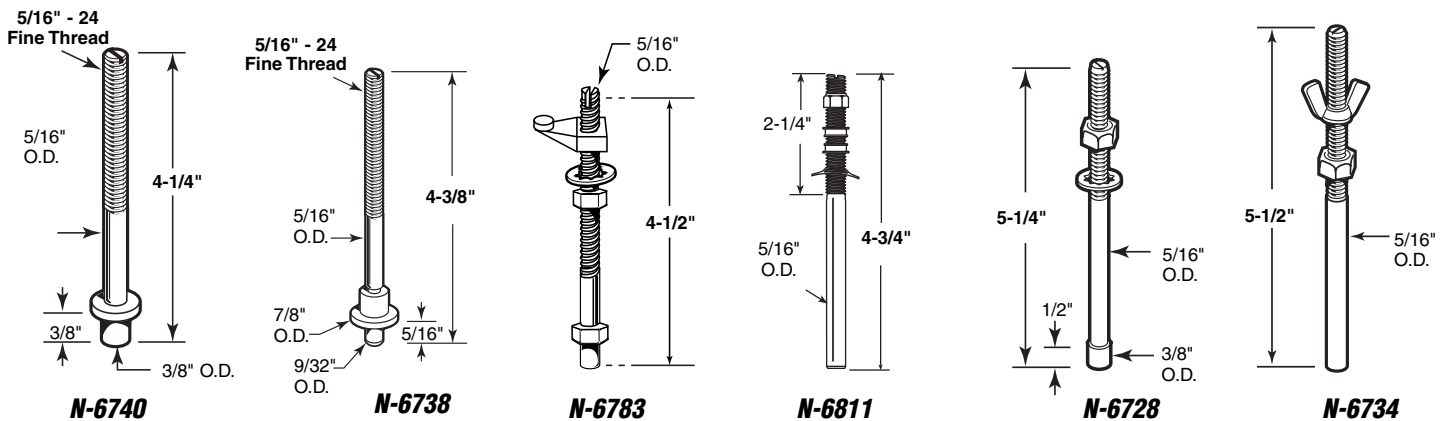
Contents: 1 pin assembly.

Description: Steel guide pins & top and bottom pivot pins; unless noted, most caps shown are nylon.

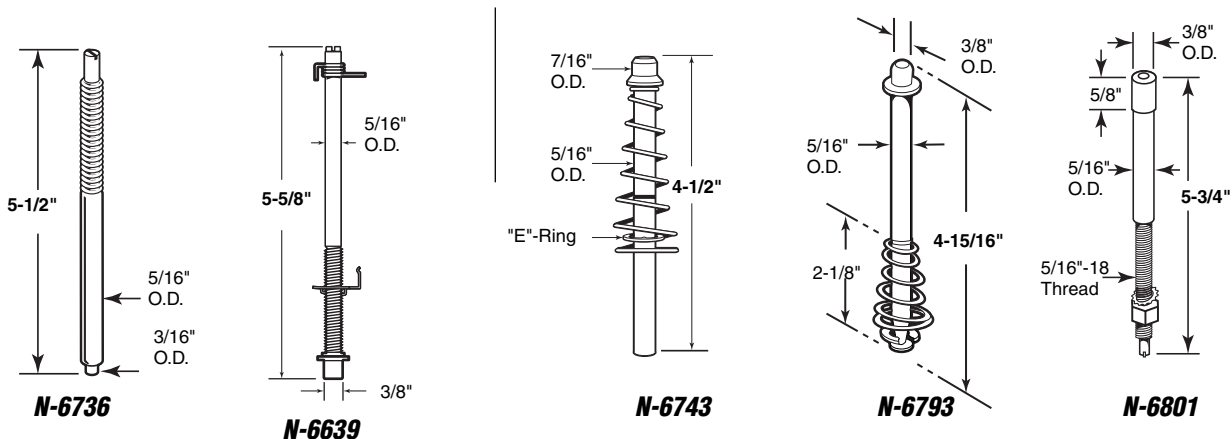
5/16" Diameter Pins



Bottom Pivots



Guide Pins



Bi-fold Door Hardware

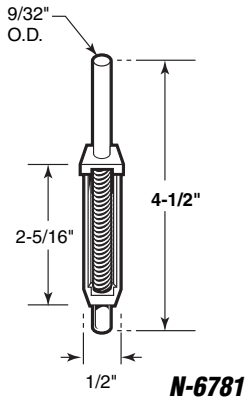
Pivot & Guide Pins

Contents: 1 pin assembly.

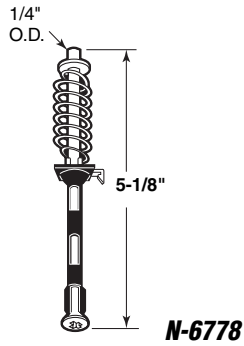
Description: Steel guide pins & top and bottom pivot pins; all caps shown are white nylon.

9/32" Diameter Pins

Top Pivots

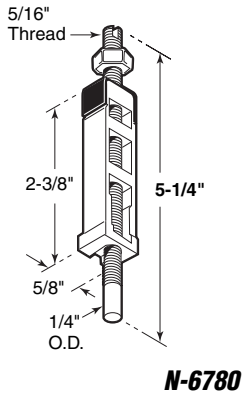


N-6781

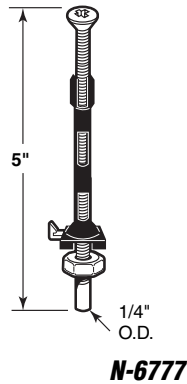


N-6778

Bottom Pivots

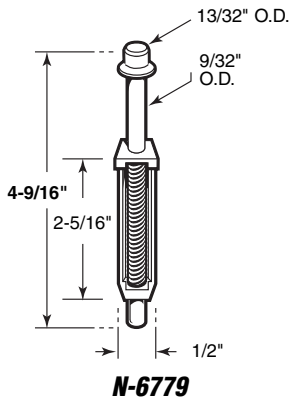


N-6780

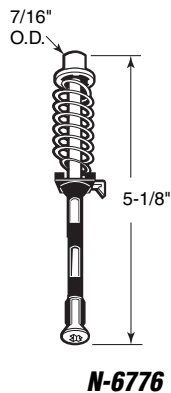


N-6777

Guide Pins



N-6779



N-6776

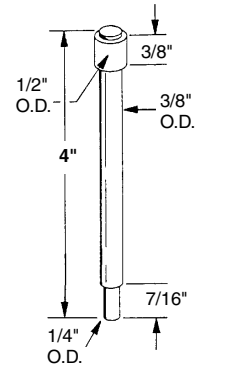
Pivot & Guide Pins

Contents: 1 pin assembly.

Description: Steel guide pins & top and bottom pivot pins; all caps shown are white nylon.

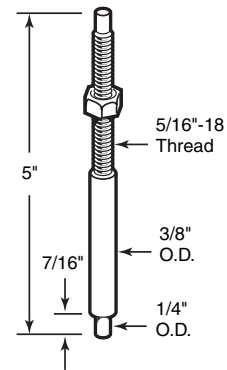
3/8" Diameter Pins

Top Pivots



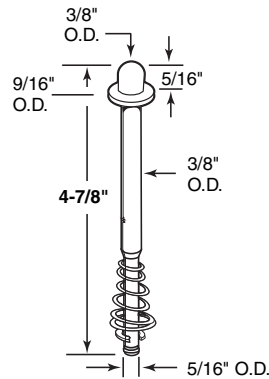
N-6745

Bottom Pivots

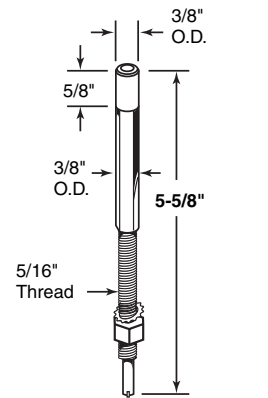


N-6746

Guide Pins



N-6807



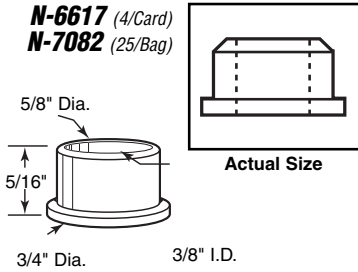
N-6806

Pivot & Guide Pin Caps

Contents: Pin caps.

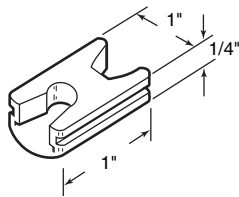
Description: Replacement nylon caps.

N-6617 (4/Card)
N-7082 (25/Bag)



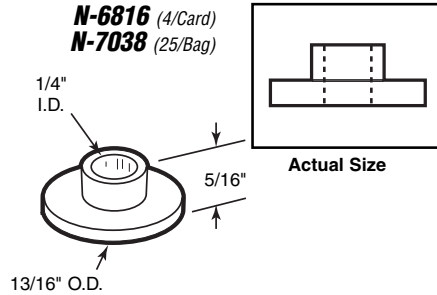
*Used on pins: N-6733, N-6813

N-6660 (2/Card)
N-6866 (25/Bag)



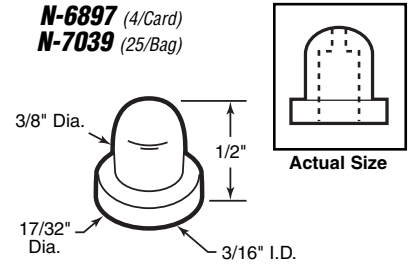
*Used on pins: N-6733, N-6813

N-6816 (4/Card)
N-7038 (25/Bag)



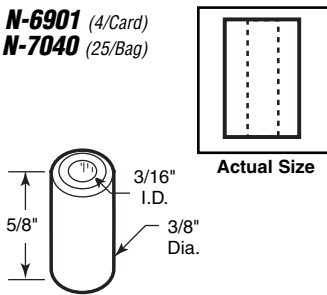
*Used on pins: N-6545

N-6897 (4/Card)
N-7039 (25/Bag)



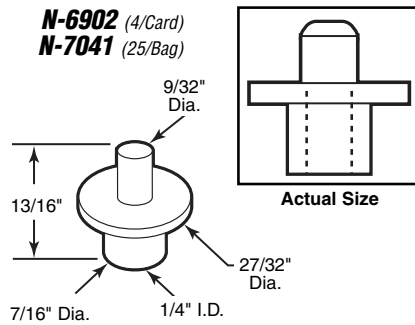
*Used on pins: N-6793

N-6901 (4/Card)
N-7040 (25/Bag)



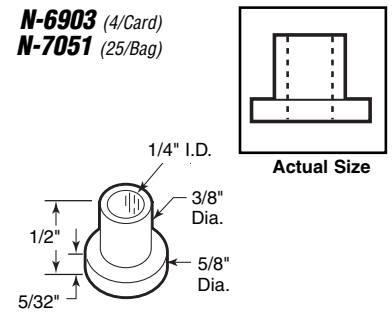
*Used on pins: N-6801

N-6902 (4/Card)
N-7041 (25/Bag)



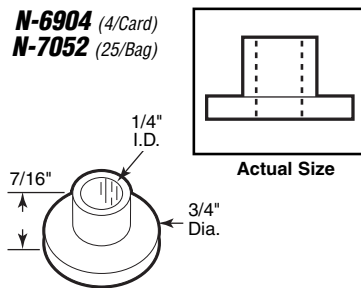
*Used on pins: N-6737, N-6738

N-6903 (4/Card)
N-7051 (25/Bag)



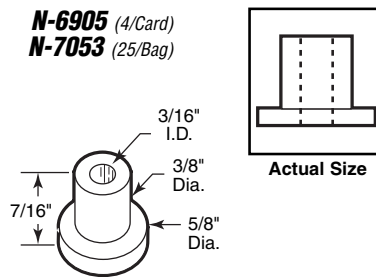
*Used on pins: N-6727

N-6904 (4/Card)
N-7052 (25/Bag)



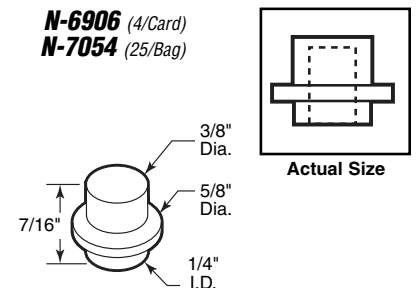
*Used on pins: N-6739, N-6740

N-6905 (4/Card)
N-7053 (25/Bag)



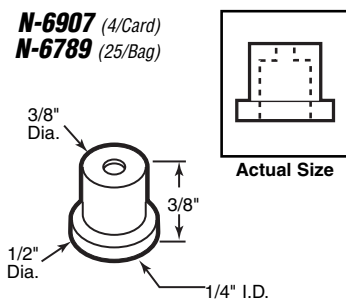
*Used on pins: N-6637

N-6906 (4/Card)
N-7054 (25/Bag)



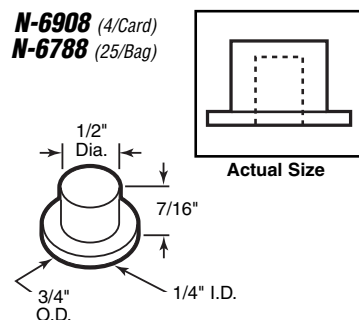
*Used on pins: N-6804

N-6907 (4/Card)
N-6789 (25/Bag)

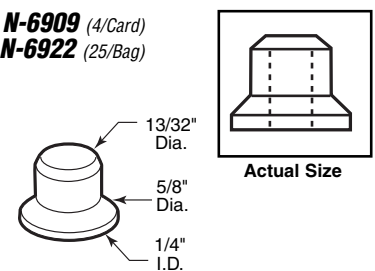


*Used on pins: N-6729, N-6730

N-6908 (4/Card)
N-6788 (25/Bag)



N-6909 (4/Card)
N-6922 (25/Bag)



*Used on pins: N-6731, N-6743, N-6827

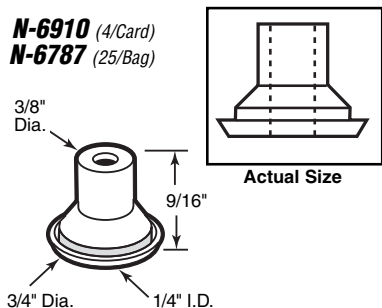
Bi-fold Door Hardware

Pivot & Guide Pin Caps

Contents: Pin caps.

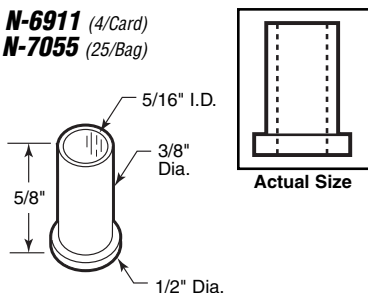
Description: Replacement nylon caps.

N-6910 (4/Card)
N-6787 (25/Bag)



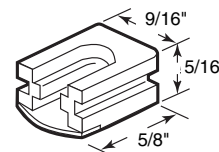
*Used on pins: N-6637

N-6911 (4/Card)
N-7055 (25/Bag)



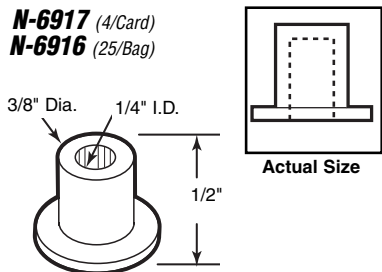
*Used on pins: N-6809

N-6912 (4/Card)
N-7056 (25/Bag)



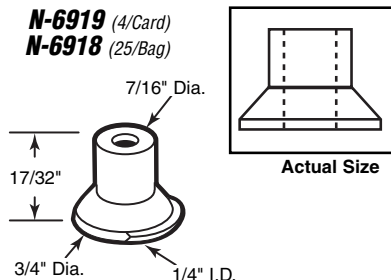
*Used on pins: N-6741

N-6917 (4/Card)
N-6916 (25/Bag)



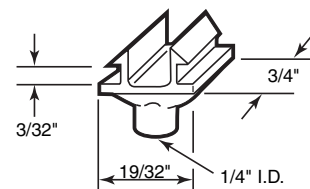
*Used on pins: N-6545, N-6638

N-6919 (4/Card)
N-6918 (25/Bag)



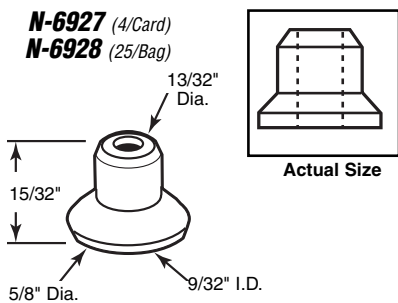
*Used on pins: N-6776

N-6923 (2/Card)
N-7057 (10/Bag)



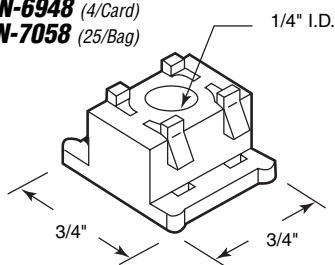
*Used on pins: N-6747

N-6927 (4/Card)
N-6928 (25/Bag)



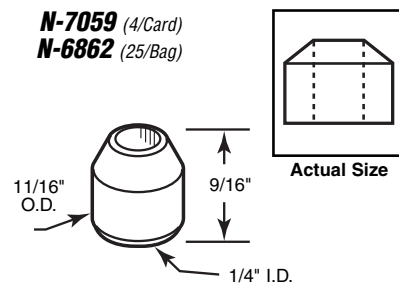
*Used on pins: N-6779

N-6948 (4/Card)
N-7058 (25/Bag)



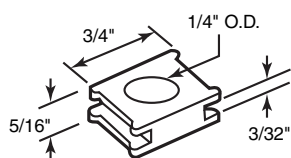
*New style replacement cap for pin: N-6705

N-7059 (4/Card)
N-6862 (25/Bag)



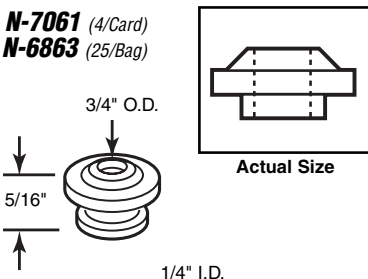
*Used on pins: N-6702

N-7060 (4/Card)
N-6864 (25/Bag)



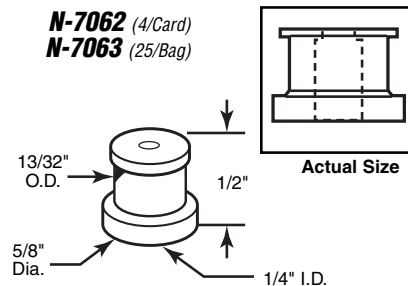
*Used on pins: N-6705

N-7061 (4/Card)
N-6863 (25/Bag)



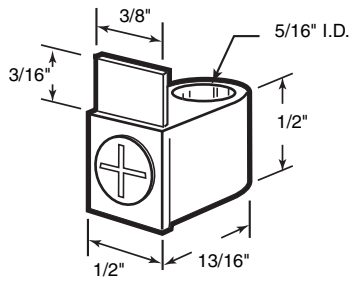
*Used on pins: N-6704

N-7062 (4/Card)
N-7063 (25/Bag)

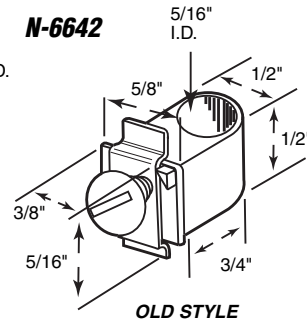


*Used on pins: N-6769

N-6865 NEW STYLE



N-6642



N-6642 (Old style)
N-6865 (New style)

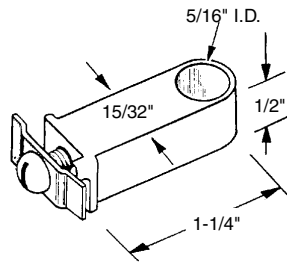
Pivot Rod Clamp

Contents: 1 clamp.

Description: Pivot rod clamp used to adjust height; nylon housing; fits on *Slimfold* and others.

You may wish to stock these related parts: **N-6637**, **N-6638**, **N-6640**.

N-6749



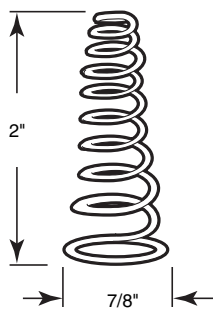
N-6749

Pivot Rod Clamp

Contents: 1 clamp.

Description: Nylon housing; rod clamp used to adjust height; 1-1/4" long housing.

You may wish to stock these related parts: **N-6642**.



N-6753

N-6753

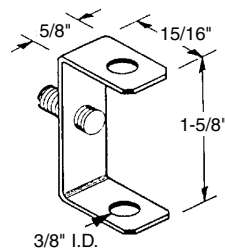
Pivot Rod Tension Springs

Contents: 2 springs.

Description: High tension; heat treated steel spring used to supply tension on top pivot guide rods and bottom guide rods; fits 3/8" rod.

You may wish to stock these related parts: **N-6656**.

N-6751



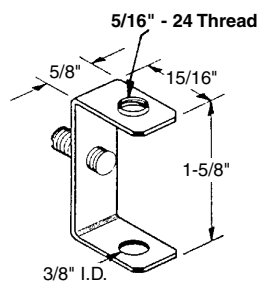
N-6751

Pivot Rod Adjustment Bracket

Contents: 1 bracket.

Description: Stamped steel bracket; has set screw in center; used to adjust height of pivot rod; used with pivot rod numbers **N-6739** or **N-6737**.

You may wish to stock these related parts: **N-6752**.



N-6752

N-6752

Pivot Rod Adjustment Bracket

Contents: 1 bracket.

Description: Stamped steel bracket; has 5/16"-24 threads on one end; set screw in center; used to adjust height of pivot rod; used with pivot rod number **N-6740**.

You may wish to stock these related parts: **N-6751**.

Bi-fold & Pocket Door Hardware

N-6991 (1/4" inside diameter)
N-7067 (5/16" inside diameter)

Nyliner

Contents: 50 nyliners per bag.

Description: Nylon bushing for Bi-Fold Guide and Pivot Pins; Snaps into steel door frame; prevents pin from direct contact with sharp punched hole in door.

N-6615 Top Guide

Contents: 1 guide; (2) 1/4"-20 x 1/2" round head slotted machine screws.

Description: Top guide for bi-fold doors; stamped steel with nylon cap; fits on *Roberts*.

You may wish to stock these related parts: **N-6609**, **N-6616**.

N-6616 Bottom Guide

Contents: 1 guide; (2) 1/4"-20 x 1/2" round head slotted machine screws.

Description: Bottom guide for bi-fold doors; stamped steel with nylon cap; fits on *Roberts*.

You may wish to stock these related parts: **N-6609**, **N-6615**.

N-6895 Top & Bottom Guide Set (N-6615 & N-6616)

Contents: 1 top guide; 1 bottom guide; installation fasteners.

Description: Top and bottom guides for bi-fold doors; stamped steel with nylon cap; fits on *Roberts*.

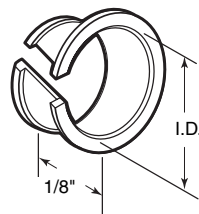
You may wish to stock these related parts: **N-6609**.

N-6530 Roller

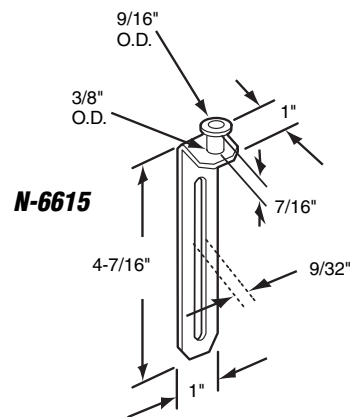
Contents: 2 roller assemblies; 4 no. 8 x 1-1/4" Phillips pan head sheet metal screws.

Description: Tandem wheels; top mount steel hanger for pocket doors; 7/8" round edge nylon wheel; for 1-3/8" thick doors up to 75 lbs. each; fits on *Cox*.

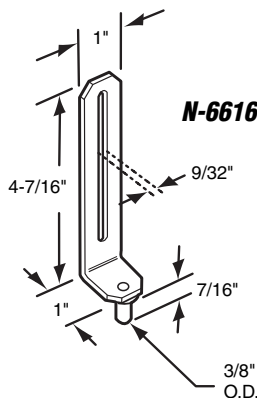
You may wish to stock these related parts: **N-6565**, **N-6566**, **N-6567**.



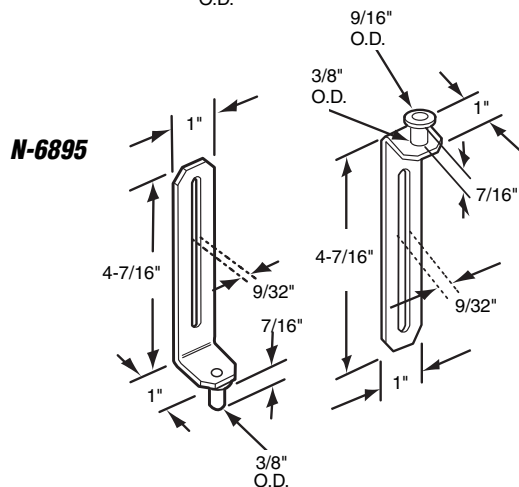
N-6991
N-7067



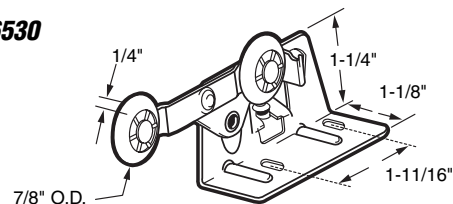
N-6615



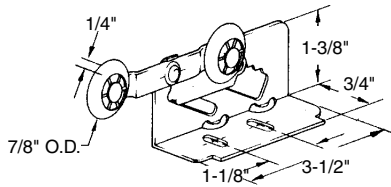
N-6616



N-6895



N-6530



N-6531

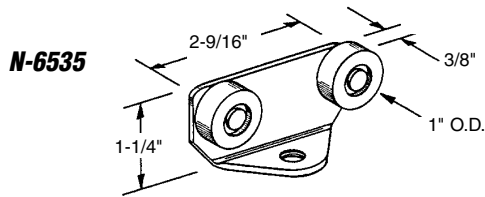
N-6531

Roller

Contents: 2 roller assemblies; 4 no. 8 x 1-1/4" Phillips pan head sheet metal screws.

Description: Tandem wheels; top mounting; adjustable **steel** bracket; 7/8" diameter **round edge nylon** wheel; fits 3/4" to 1-3/4" thick doors; fits on **Acme**.

You may wish to stock these related parts: **N-6566; N-6567.**



N-6535

N-6535

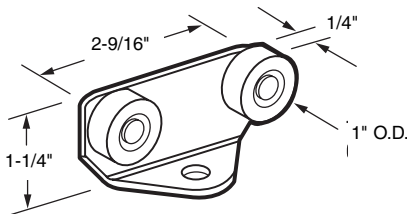
Roller

Contents: 2 roller assemblies.

Description: Tandem wheels; top mount **steel** bracket; 1" diameter x 3/8" thick, **flat edge nylon** wheel; fits 1" to 1-3/8" thick pocket doors up to 75 lbs. each.

You may wish to stock these related parts: **N-6564, N-6565, N-6566.**

Call for Availability



N-6536

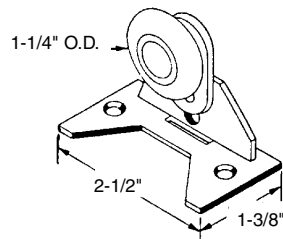
N-6536

Roller

Contents: 2 roller assemblies.

Description: Tandem wheels; top mount **steel** hanger for pocket doors; 1" diameter x 1/4" thick, **round edge nylon** wheel; for 1-3/8" thick doors up to 75 lbs. each.

You may wish to stock these related parts: **N-6565, N-6566, N-6567.**



N-6619

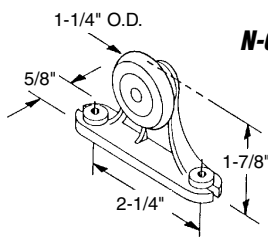
N-6619

Top Roller Assembly

Contents: 1 roller assembly; 2 no. 8 x 1/2" flat head sheet metal screws.

Description: 1-1/4" diameter **nylon ball bearing** wheel; adjustable **steel** bracket mounts on top of pocket doors; fits on **E-Z Guide**.

You may wish to stock these related parts: **N-6620.**



N-6620

N-6620

Top Assembly

Contents: 1 roller assembly; 2 no. 8 x 1/2" Phillips pan head sheet metal screws.

Description: 1-1/4" diameter **nylon ball bearing** wheel; **diecast** housing; used as a "fixed" back roller on pocket doors; fits on **E-Z Glide**.

You may wish to stock these related parts: **N-6619.**

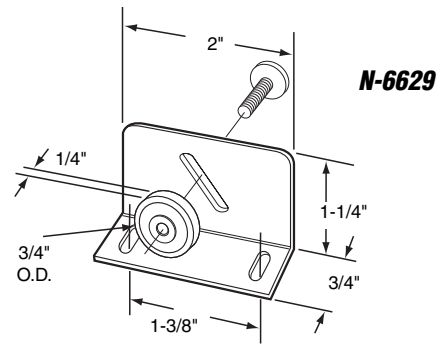
N-6629

Roller

Contents: 2 roller assemblies; 2 no. 8 x 1-1/4" Phillips pan head sheet metal screws.

Description: 3/4" diameter flat edge nylon ball bearing wheel; stamped steel bracket; top-center mounting; fits 3/4" to 1-3/8" thick doors; adjustable wheel location on bracket; fits on *Atlas*.

You may wish to stock these related parts: **N-6565, N-6618, N-6666, N-6578.**



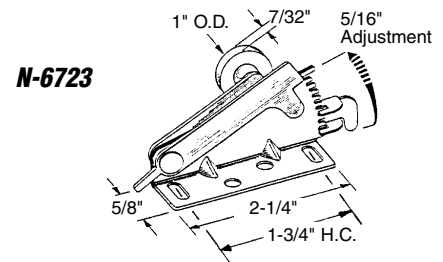
N-6723

Roller Assembly

Contents: 1 roller assembly; 4 no. 8 x 3/4" Phillips pan head sheet metal screws.

Description: 1" diameter nylon wheel; steel bracket; adjustable up to 5/16" height; for pocket doors 1" to 1-3/4" thick; up to 75 lbs. each; fits on *Kennaframe*.

You may wish to stock these related parts: **N-6658, N-6578.**



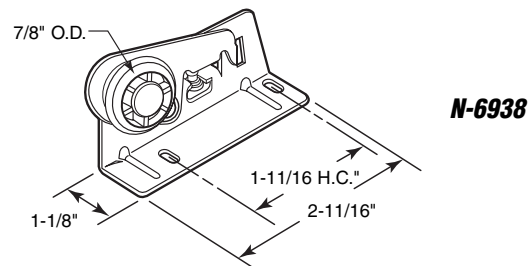
N-6938

Roller Assembly

Contents: 2 roller assemblies; 4 no. 8 x 1-1/4" Phillips pan head sheet metal screws.

Description: 7/8" diameter nylon wheel; steel bracket; for pocket doors up to 50 lbs; fits on *Cox*.

You may wish to stock these related parts: **N-6578, N-6950.**



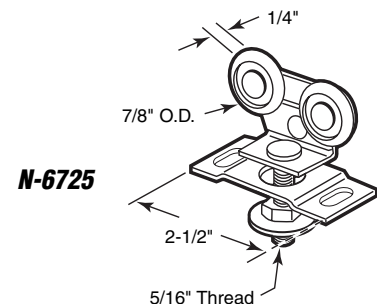
N-6725

Roller Assembly

Contents: 1 roller assembly; adjustment nut; mounting plate.

Description: 7/8" diameter tandem nylon wheels; steel brackets; for pocket doors from 1" to 1-3/4" thick up to 75 lbs. each; fits on *Atlas*.

You may wish to stock these related parts: **N-6567, N-7015.**



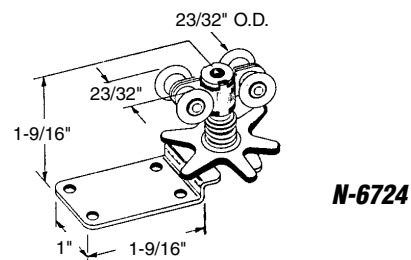
N-6724

Roller Assembly

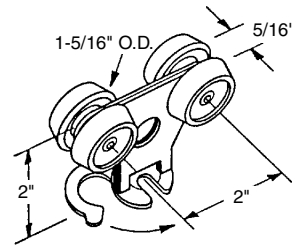
Contents: 1 roller assembly; 4 no. 8 x 3/4" Phillips pan head sheet metal screws.

Description: 4 nylon wheels; spring-loaded, steel bracket; adjustable up to 3/8" height; for pocket doors 1" to 1-3/4" thick; up to 100 lbs. each; fits on *Kennaframe*.

You may wish to stock these related parts: **N-6658, N-6950, N-7015.**



N-6663



N-6663

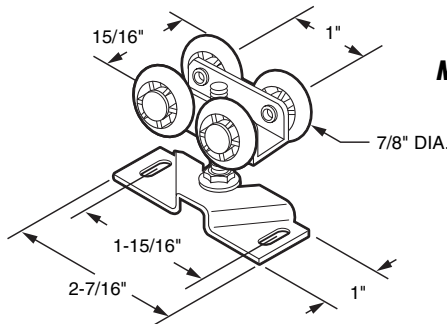
Roller

Contents: 1 roller assembly; 1 no. 8 x 2" wood screw.

Description: 4 wheel carrier; 1-5/16" diameter **nylon** wheels; **steel** bracket with quick release feature; for bi-pass and pocket doors; fits on **E-Z Glide**.

You may wish to stock these related parts: **N-6620**.

N-6990



N-6990

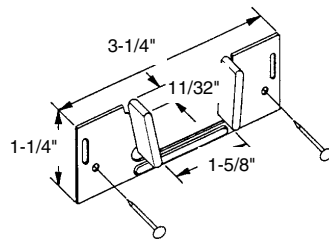
Roller

Contents: 1 roller assembly; 2 no. 8 x 1-1/4" sheet metal screws.

Description: 4 wheel carrier; 7/8" diameter **nylon** wheels; **steel** bracket used on both bi-pass and pocket doors.

Note: See **N-6873** for 3-wheel version.

N-6566



N-6566

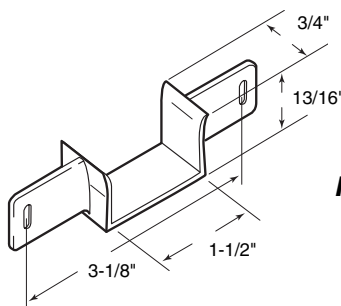
Guide

Contents: 1 guide; 4-3/4" x 15 ga. flat head drive nails.

Description: **Bottom guide** for pocket doors; **jamb mounted steel** bracket with **nylon** tips; for 1-3/8" thick doors; universal design.

You may wish to stock these related parts: **N-6526 thru N-6533**.

N-6578



N-6578

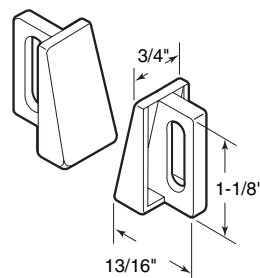
Guide

Contents: 1 guide; 2-3/4" x 15 ga. flat head drive nails.

Description: **Nylon bottom guide** for pocket doors; **jamb mounted**; for 1-3/8" thick doors.

You may wish to stock these related parts: **N-6526 thru N-6533**.

N-6950



N-6950

Guide

Contents: 2 guides; installation screws.

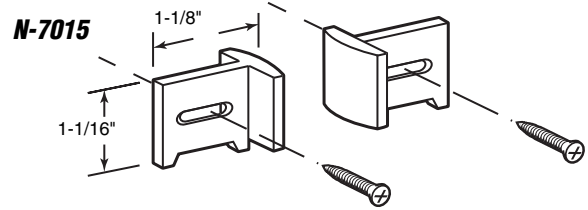
Description: 2 piece **nylon bottom guide**; **jamb mounted**; slotted mounting holes for horizontal adjustment of pocket door; for use with any door thickness.

N-7015

Side Adjusting Guide

Contents: 2 guides; 2 installation screws.

Description: 2 piece nylon bottom guide; jamb mounted; slotted mounting holes for horizontal adjustment of pocket door; for use with any door thickness.



N-6770 (Polished brass)

N-7080 (Antique brass)

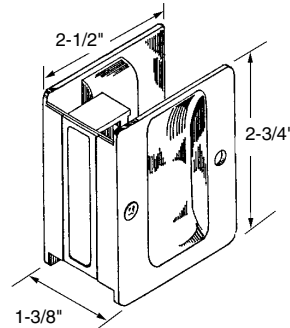
N-7085 (Chrome plated)

Passage Pull

Contents: 1 passage pull; 1 set of installation screws.

Description: Solid brass pull for passageway (pocket) doors; reversible.

You may wish to stock these related parts: **N-6771 thru N-6774.**



N-6770
N-7080
N-7085

N-6771 (Polished brass)

N-6774 (Antique brass)

N-6773 (Chrome plated)

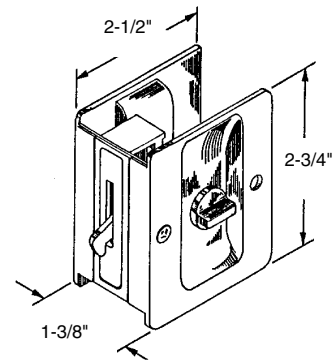
Privacy Lock

Contents: 1 lock and pull; 1 set of installation screws.

Description: Solid brass sliding door lock and pull for passageway (pocket) doors; reversible.

You may wish to stock these related parts: **N-6770.**

N-6771
N-6774
N-6773



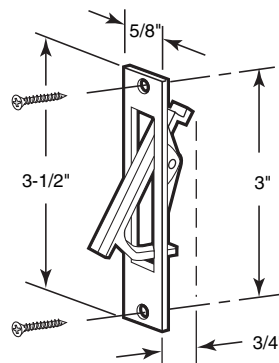
N-6768

Flush Pull

Contents: 1 pull; 2 no. 8 x 3/4" Phillips flat head sheet metal screws.

Description: Brass plated diecast pull; fits a 5/8" x 3-1/2" mortise, 3/4" deep; pull retracts from flush position.

You may wish to stock these related parts: **N-6565.**



N-6768

N-6979

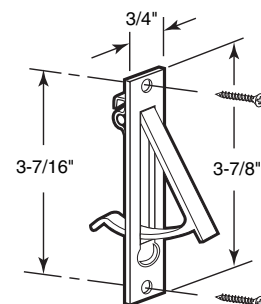
Pull

Contents: 1 pull; 1 set of installation screws.

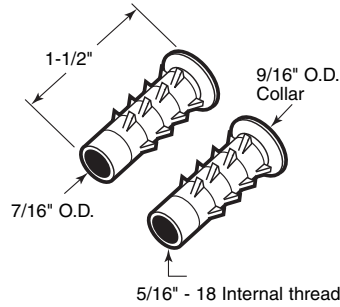
Description: Polished solid brass pull; fits a 3/4" x 3-7/8" mortise, 1-11/16" deep; spring loaded pull retracts flush to door edge.

You may wish to stock these related parts: **N-6768, N-6770, N-6771.**

N-6979



N-6951



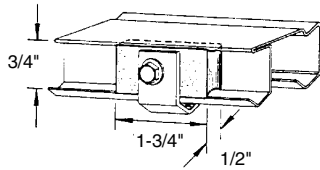
N-6951

Thread Insert

Contents: 4 inserts.

Description: Black nylon; 5/16" - 18 threaded insert for use on wood bi-fold doors; for replacement of lost or stripped inserts used on many top hung doors.

You may wish to stock these related parts: **N-6528, N-6529**



N-6670

N-6670

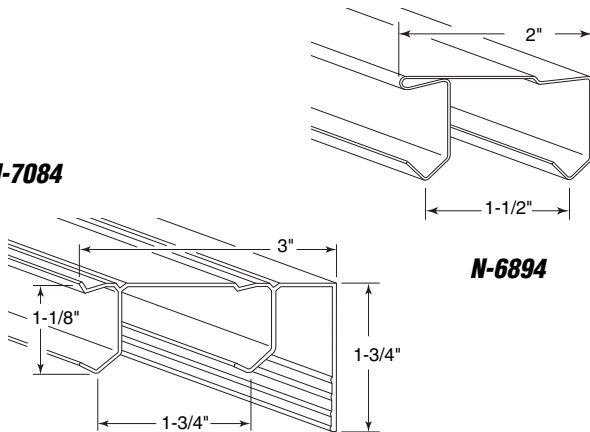
Roller Center Stop

Contents: 1 stop with mounting bracket with set screw.

Description: Plated steel bracket with rubber stop; mounts into track channel at center position; prevents over-travel of doors; fits on *Acme "Bi-Parting" and "4 door" systems.*

You may wish to stock these related parts: **N-6560, N-6562.**

N-7084



N-6894

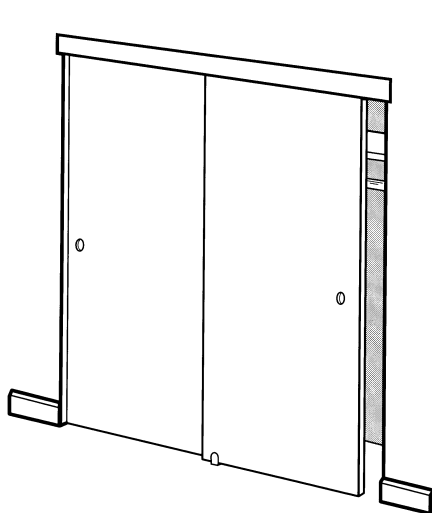
N-6894 (Galvanized steel)
N-7084 (Aluminum extrusion)

Bi-Pass Door Track

Contents: 1 piece, 96" long.

Description: Replacement track; used by various manufacturers.

Note: Part no. **N-6894** minimum order - 4 pieces.
Part no. **N-7084** minimum order - 2 pieces.



161791
161792
161793
161850
163499

161791 (48" opening) 2 panel system
161792 (60" opening) 2 panel system
161793 (72" opening) 2 panel system
161850 (96" opening) 2 panel system
163499 (96" opening) 3 panel system

Bi-Pass Door Track and Hardware Kit

Contents: 1 steel track; 2 (4*) hangers (front); 2 (4*) hangers (back); 2 (4*) finger pulls; 1 (2*) bottom guide(s); 1 set of fasteners.

(*) Quantity supplied for 3 panel systems only.

Description: Galvanized steel track; plated steel hangers; adjustable bottom guide (steel base with nylon tips); brass plated steel finger pulls. Track length is pre-cut to slightly less than opening size to minimize the need to cut the track; use with wood door panels 3/4" to 1-3/8" thick; for use on doors weighing up to 60 lbs. each; minimum order: 6 each.

Pocket Door Hardware

161794 (36" opening) 2 panel system

161795 (48" opening) 4 panel system

161796 (60" opening) 4 panel system

161797 (72" opening) 4 panel system

Bi-Fold Door Track and Hardware Kit

Contents: 1 steel track; 1 (2*) top pivot brackets; 1 (2*) top pivots; 1 (2*) roller guides; 3 (6*) non-mortise hinges; 1 (2*) bottom pivots; 1 (2*) bottom pivot brackets; 1 (2*) spring snigger(s); (2*) door aligners; 1 (2*) door knobs; 1 set of fasteners.

(*) Quantity supplied for 4 panel systems only.

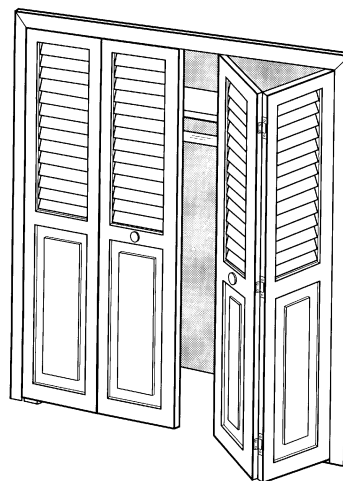
Description: Painted steel track; steel top pivot brackets are pre-installed to track; steel bottom pivot brackets; brass plated steel hinges; roller guides and pivots have a 7/16" diameter nylon base with steel pins; steel spring snigger with plastic retainer sleeve; zinc plated steel aligners; unfinished wood knobs. Track length is pre-cut to slightly less than opening size to minimize the need to cut the track; use with wood door panels 1" to 1-3/8" thick; for use on doors weighing up to 30 lbs. each; minimum order: 6 each.

161794

161795

161796

161797



161798 (36" maximum door size)

Pocket Door Track and Hardware Kit

Contents: Track: (1) 71" galvanized steel double "J" track

Headers: (1) 3/4" x 2" x 72" (wood)

(2) 3/4" x 2" x 37" (wood)

Uprights: (4) 3/4" x 1-3/4" x 84" wood with steel support channel.

Hanger Brackets: (2) steel floor brackets
(1) steel front header bracket
(1) steel rear header bracket

Horizontal Support: 3/4" x 2" x 40" wood support

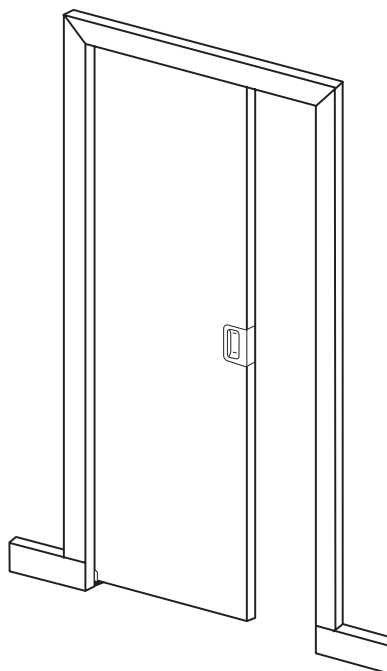
Hardware: (2) 4-wheel top roller assemblies (steel bracket with nylon wheel)
(1) steel bottom guide with nylon tips
(1) rubber door bumper
(1) steel adjusting wrench
(1) set of fasteners
(1) set of drywall screws.

Description: This pocket door track kit with concealed hardware was designed for easy installation, yet offers professional quality throughout. Super heavy-duty 4-wheel roller assemblies are exceptionally quiet, durable and respond to the lightest touch; easily adjusted with the wrench supplied. These rollers, when used in conjunction with the double-J track, develop a superior stability not found in most other kits; may be used on wood doors (1-3/8" to 1-3/4") thick, up to 150 lbs; minimum order: 6 each.

The header board is pre-marked with cut-off indicators, for 24", 30", 32" and 36" door size applications.

Fasteners include all necessary hardware fasteners as well as screws for drywall installation.

161798

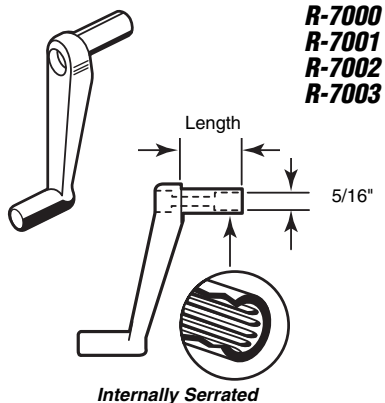


INDEX - RV and Mobile Home Hardware

Part No.	Page No.	Description	Package Quantity	Standard Pack
R-7000 (13/16" stem length)	R1-1	Handle	2	6
R-7001 (1-3/4" stem length)	R1-1	Handle	2	6
R-7002 (2-1/8" stem length)	R1-1	Handle	2	6
R-7003 (3-1/8" stem length)	R1-1	Handle	2	6
R-7004	R1-1	Handle	2	6
R-7005	R1-2	Handle	2	6
R-7006	R1-2	Handle	2	6
R-7007 (1" stem length)	R1-1	Handle	2	6
R-7009 (1-1/4" stem length)	R1-1	Handle	2	6
R-7010	R1-2	Handle	2	6
R-7011	R1-2	Handle	2	6
R-7012 (7/8" Length)	R1-2	Handle Extension	2	6
R-7013 (1-1/8" Length)	R1-2	Handle Extension	2	6
R-7014 (2" Length)	R1-2	Handle Extension	2	6
R-7015	R1-3	Awning or Louvre Window Operator	1	6
R-7016	R1-3	Louvre Window Operator	1	6
R-7018	R1-3	Louvre Window Operator	1	6
R-7019	R1-3	Louvre Window Operator	1	6
R-7020 (Left hand)	R1-4	Slant Sill Operator	1	6
R-7021 (Right hand)	R1-4	Slant Sill Operator	1	6
R-7022 (Left hand)	R1-4	Slant Sill "Mini" Operator	1	6
R-7023 (Right hand)	R1-4	Slant Sill "Mini" Operator	1	6
R-7024 (Left hand)	R1-4	Torque Operator	1	6
R-7025 (Right hand)	R1-4	Torque Operator	1	6
R-7026 (Left hand)	R1-4	Torque Operator	1	6
R-7027 (Right hand)	R1-4	Torque Operator	1	6
R-7028 (Left hand)	R1-5	Torque Operator	1	6
R-7029 (Right hand)	R1-5	Torque Operator	1	6
R-7030	R1-5	Torque Operator	1	6
R-7031	R1-5	Torque Operator	1	6
R-7032	R1-6	Awning Window or Roof Vent Operator	1	6
R-7035 (4"arm length)	R1-6	Awning Window or Roof Vent Operator	1	6
R-7036 (5"arm length)	R1-6	Awning Window or Roof Vent Operator	1	6
R-7037 (7-5/8"arm length)	R1-6	Awning Window or Roof Vent Operator	1	6
R-7038 (5-7/8"Hole spacing)	R1-6	Sun Roof Vent Operator	1	1
R-7039 (4-13/16"Hole spacing)	R1-6	Sun Roof Vent Operator	1	1
R-7040	R1-6	Pivot Brackets	1 pair	6
R-7041	R1-6	Roof Vent Operator Button	2	6
R-7042	R1-7	Torque Bar Bushing	2	6
R-7043	R1-7	Locking Handle (Non-handed)	1	1
R-7044 (Chrome finish - 2-7/8" spindle length)	R1-8	Locking Handle	1	1
R-7045 (2-3/8" latch length)	R1-8	Cam Lock	1	6
R-7046 (2-3/4" latch length)	R1-8	Cam Lock	1	6
R-7047	R1-11	Camper Door 3-Point Lock	1	1
R-7048 (9"length - 34 lbs. lift capacity)	R1-11	Camper Door Spring Prop	1	1
R-7059 (5" projection)	R1-10	Door Holder	1	6
R-7060 (2" projection)	R1-10	Door Holder	1	6
R-7061 (6" projection)	R1-10	Door Holder	1	6
R-7062	R1-10	Door Holder Catch	1	6
R-7063 (3"arm projection)	R1-10	Door Holder Rod and Retainer (Colonial white)	1	6
R-7065 (4-3/4"arm projection)	R1-10	Door Holder Rod and Retainer (Colonial white)	1	6
R-7067 (3"arm projection)	R1-11	Door Holder Rod and Retainer (Colonial white)	1	6
R-7069 (4-3/4" arm projection)	R1-11	Door Holder Rod and Retainer (Colonial white)	1	6
R-7074 (1-9/16" latch length)	R1-9	Compartment Latch	1	6
R-7075 (5/8" cylinder length)	R1-9	Cylinder Lock - Keyed	1	6

INDEX - RV and Mobile Home Hardware

Part No.	Page No.	Description	Package Quantity	Standard Pack
R-7077 (Left hand - chrome finish)	R1-7	Sliding Window Sash Lock	2	6
R-7078 (Right hand - chrome finish)	R1-7	Sliding Window Sash Lock	2	6
R-7087 (White)	R1-13	Ceiling and Wall Board Rosettes	12	6
R-7087B (White)	R1-13	Ceiling and Wall Board Rosettes	100	1
R-7088 ("I" beam track)	R1-13	Drapery Carrier	12	6
R-7090 (1/2" stem length)	R1-1	Handle	2	6
R-7092 (Left hand)	R1-5	Torque Operator	1	6
R-7093 (Right hand)	R1-5	Torque Operator	1	6
R-7095	R1-7	Sliding Window Latch and Pull	1	6
R-7138 (Brown finish)	R1-12	Cabinet Door Catch	1	6
R-7139 (Brown finish)	R1-13	Cabinet Door Catch	1	6
R-7140	R1-7	Privacy Latch	1	6
R-7150 (Left hand - black finish)	R1-7	Sliding Window Sash Lock	2	6
R-7151 (Right hand - black finish)	R1-7	Sliding Window Sash Lock	2	6
R-7164	R1-12	Sliding Door Guides	4	6
R-7165	R1-12	Sliding Door Guides	4	6
R-7166	R1-12	Sliding Door Handle	2	6
R-7171	R1-14	Square Tip Screwdriver	1	1
R-7172	R1-10	Compartment Door Catch	1	6
R-7188	R1-9	Screen Door Roller Catch	1	6
R-7189	R1-9	Screen Door Holder Catch	1	6
R-7190 (1/2" tube fitting)	R1-13	Drain Valve	1	6
R-7191 (3/8" tube fitting)	R1-13	Drain Valve	1	6
R-7193	R1-7	Torque Bar Bushing	2	6
R-7197 (Black finish - 2" spindle length)	R1-8	Locking Handle	1	6
R-7198 (White)	R1-14	Skirting Vents	1	50
R-7199 (Brown)	R1-14	Skirting Vents	1	50
R-7215 (Clear)	R1-13	Mirror Rosettes	6	6
R-7225 (3/4" stem length)	R1-1	Handle	2	6
R-7226 (1-3/4" stem length)	R1-1	Handle	2	6
R-7237	R1-11	Door Holder Rod and Retainer	1	6
R-7238	R1-11	Door Holder Rod Retainer	1	6
R-7243	R1-9	Cylinder Lock Dust Cover	2	6
R-7247 (1/4" stem length)	R1-1	Handle	2	6
R-7248 (Single door set)	R1-12	Refrigerator Door Latch	1	6
R-7249 (Double door set)	R1-12	Refrigerator Door Latch	1	6
R-7251 (1-1/8" cylinder length)	R1-9	Cylinder Lock - Keyed	1	6
R-7252 (7/8" cylinder length)	R1-9	Cylinder Lock - Keyed	1	6
R-7253 (Non-handed)	R1-8	Locking Handle	1	1
R-7258 (Left hand)	R1-4	Torque Operator	1	6
R-7259 (Right hand)	R1-4	Torque Operator	1	6
R-7262	R1-8	Latch Assembly	1	1



R-7000
R-7001
R-7002
R-7003

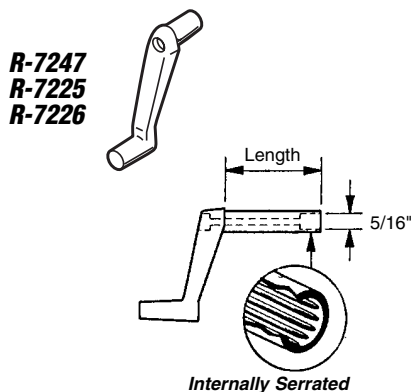
Internally Serrated

R-7000 (13/16" stem length)
R-7001 (1-3/4" stem length)
R-7002 (2-1/8" stem length)
R-7003 (3-1/8" stem length)

Handle

Contents: 2 handles; 2 installation screws.

Description: Brown plastic crank; internally serrated to fit 5/16" spindle; used on crank-out windows.



R-7247
R-7225
R-7226

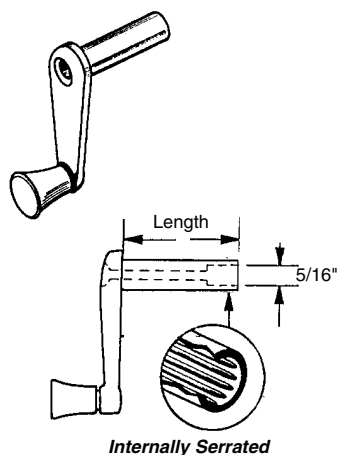
Internally Serrated

R-7247 (1/4" stem length)
R-7225 (3/4" stem length)
R-7226 (1-3/4" stem length)

Handle

Contents: 2 handles; 2 installation screws.

Description: Diecast crank; internally serrated to fit 5/16" spindle; used on crank-out windows.



R-7090
R-7007
R-7009

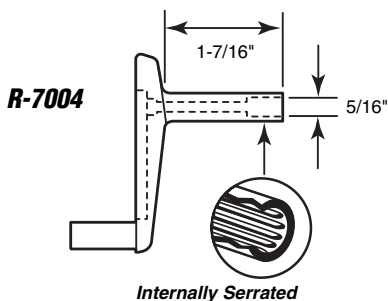
Internally Serrated

R-7090 (1/2" stem length)
R-7007 (1" stem length)
R-7009 (1-1/4" stem length)

Handle

Contents: 2 handles; 2 installation screws.

Description: Diecast crank and swivel knob; internally serrated to fit 5/16" spindle; used on crank-out windows.



R-7004

Internally Serrated

R-7004

Handle

Contents: 2 handles; 2 installation screws.

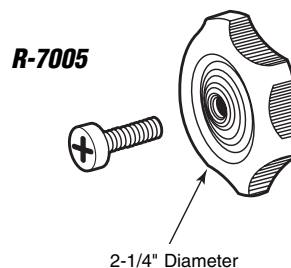
Description: Beige plastic crank; internally serrated to fit 5/16" spindle; fits on crank-out windows or top vents by *Hehr*.

R-7005

Handle

Contents: 2 handles; 2 no. 8-32 x 5/8" Phillips pan head machine screws.

Description: Heavy-duty plastic knob; 1/4" shank; internally serrated to fit 5/16" spindle; used on top vents or sun roofs.

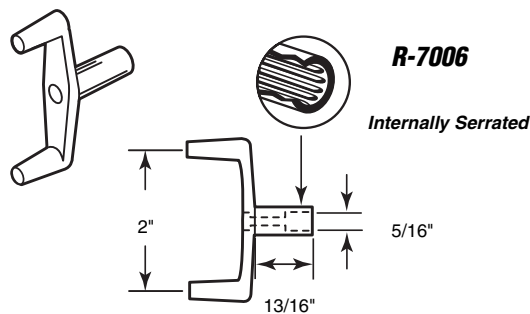


R-7006

Handle

Contents: 2 handles; 2 no. 8-32 x 1" slotted Fillister head machine screws.

Description: Dual-grip, white nylon crank handle; internally serrated to fit 5/16" spindle; used on crank-out windows and roof vents.

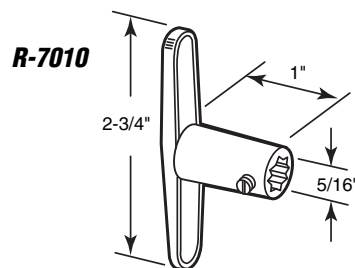


R-7010

Handle

Contents: 2 handles with set screws.

Description: Diecast crank handle; heavy-duty construction; internally serrated to fit 5/16" spindle; used on crank-out windows or roof vents.

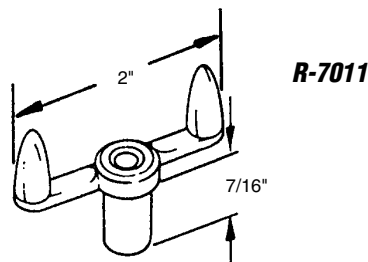


R-7011

Handle

Contents: 2 handles; 2 no. 8-32 x 5/8" Phillips pan head machine screws.

Description: Dual-grip, diecast crank handle; internally serrated to fit 5/16" spindle; used on crank-out windows.



R-7012 (7/8" long)

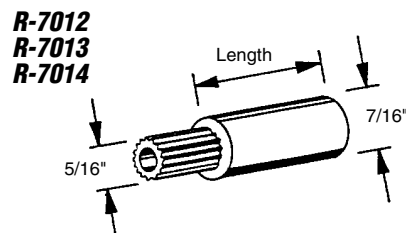
R-7013 (1-1/8" long)

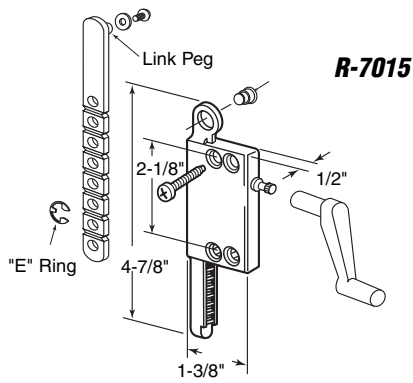
R-7014 (2" long)

Handle Extension

Contents: 2 extensions with screws.

Description: Diecast extenders; serrated both internally and externally for 5/16" spindle applications; for use with crank-out window and roof vent handles.





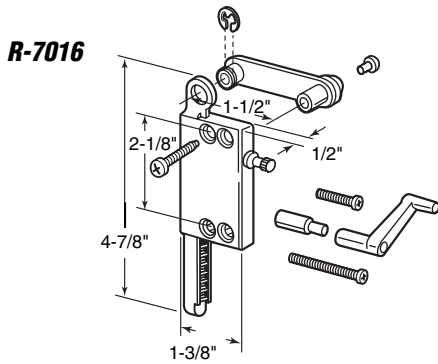
R-7015

R-7015

Awning or Louvre Window Operator

Contents: 1 operator; 1 extension arm; 1 crank handle; 1 set of installation hardware.

Description: Diecast rack operator; adjustable break-off link extension arm for universal application; 5/16" spindle size; used on either left or right handed windows; **side mount**.



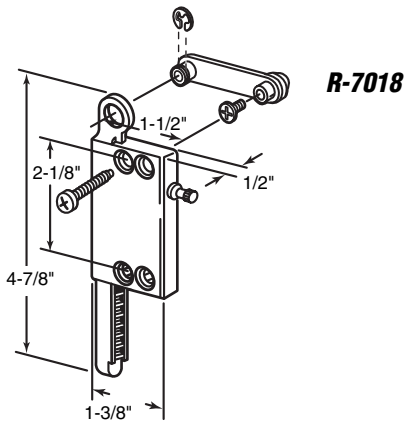
R-7016

R-7016

Louvre Window Operator

Contents: 1 operator; 1 crank handle; 1 link assembly; 1 crank handle extension; 1 set of installation hardware.

Description: Diecast rack operator, gear link and shaft extension; 5/16" spindle size; used on either left or right handed windows; **side mount**.



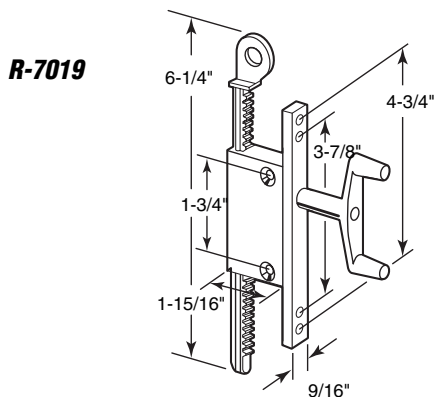
R-7018

R-7018

Louvre Window Operator

Contents: 1 operator; 1 link assembly; 1 set of installation hardware.

Description: Diecast rack operator and attachment link; 5/16" spindle size; can be used on either left or right handed windows; **side mount**.



R-7019

R-7019

Louvre Window Operator

Contents: 1 operator; 1 crank handle; 1 set of installation screws.

Description: Diecast rack operator; 5/16" spindle size; **plastic** dual-grip crank handle; **face mounted**; non-handed.

Call for Availability

R-7020 (Left hand)

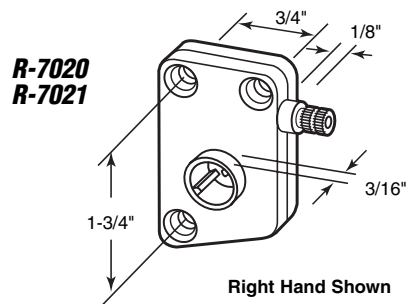
R-7021 (Right hand)

Slant Sill Operator

Contents: 1 operator; 1 set of installation screws.

Description: Diecast operator; used on either awning or louvre windows; side mount for slanted sill.

Note: Hand determined from inside of window looking out.



Right Hand Shown

R-7022 (Left hand)

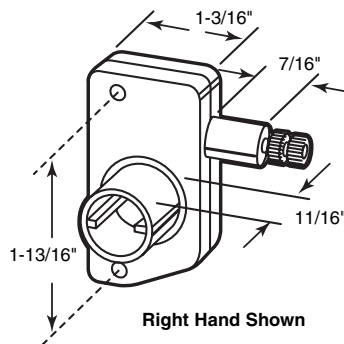
R-7023 (Right hand)

Slant Sill "Mini" Operator

Contents: 1 operator; 1 set of installation screws.

Description: Diecast operator; used on either awning or louvre windows; "mini size"; side mount for slanted sill.

Note: Hand determined from inside of window looking out.



Right Hand Shown

R-7024 (Left hand)

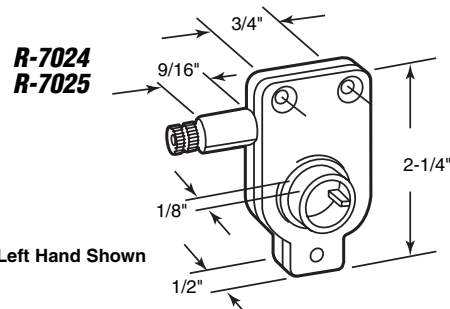
R-7025 (Right hand)

Torque Operator

Contents: 1 operator; 1 set of installation screws.

Description: Diecast operator; used on either awning or louvre windows; side mount.

Note: Hand determined from inside of window looking out.



Left Hand Shown

R-7026 (Left hand)

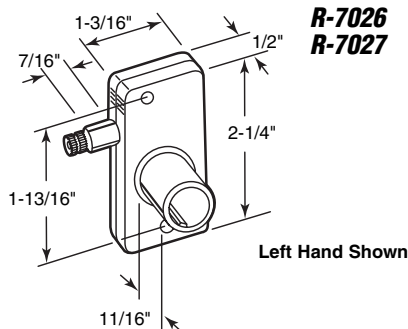
R-7027 (Right hand)

Torque Operator

Contents: 1 operator; 1 set of installation screws.

Description: Diecast operator; used on either awning or louvre windows; side mount.

Note: Hand determined from inside of window looking out.



Left Hand Shown

R-7259 (Left hand)

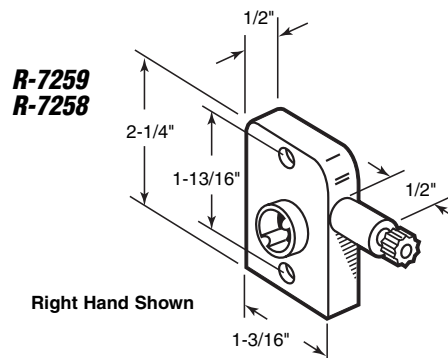
R-7258 (Right hand)

Torque Operator

Contents: 1 operator; 1 set of installation screws.

Description: Diecast operator; used on either awning or louvre windows; side mount; used by Sun Valley and others.

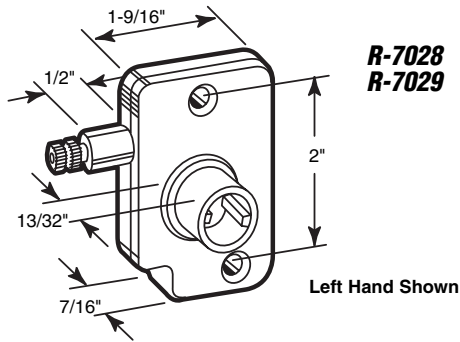
Note: Hand determined from inside of window looking out.



Right Hand Shown

Call for Availability

Call for Availability



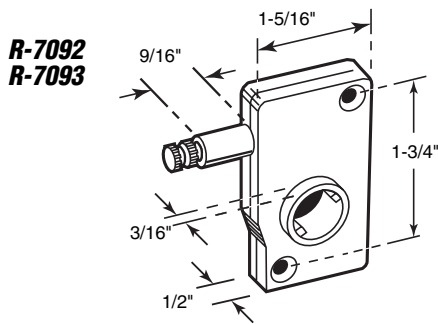
R-7028 (Left hand)
R-7029 (Right hand)

Torque Operator

Contents: 1 operator; 1 set of installation screws.

Description: Diecast operator; used on either awning or louvre windows; side mount.

Note: Hand determined from inside of window looking out.



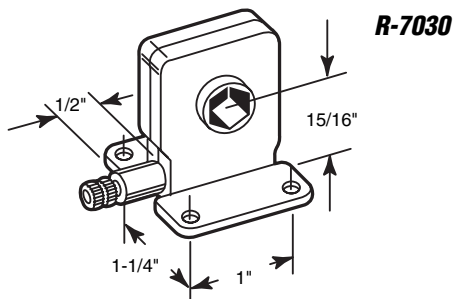
R-7092 (Left hand)
R-7093 (Right hand)

Torque Operator

Contents: 1 operator; 1 set of installation screws.

Description: Diecast operator; used on either awning or louvre windows; side mount.

Note: Hand determined from inside of window looking out.

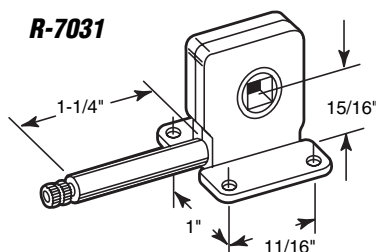


R-7030

Torque Operator

Contents: 1 operator; 1 set of installation screws.

Description: Diecast operator; 3/8" hex socket; center mount; used on either awning or louvre style windows.



R-7031

Torque Operator

Contents: 1 operator; 1 set of installation screws.

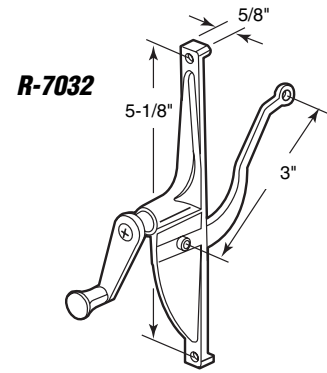
Description: Diecast operator; 5/16" square socket; center mount; used on either awning or louvre windows.

R-7032

Awning Window or Roof Vent Operator

Contents: 1 operator; 1 crank handle; 1 set of installation screws.

Description: Diecast operator and crank handle; steel arm; zinc-plated; non-handed; used on 6" standard vent windows.



R-7035 (4" arm length)

R-7036 (5" arm length)

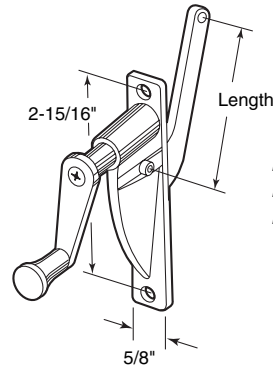
R-7037 (7-5/8" arm length)

Awning Window or Roof Vent Operator

Contents: 1 operator; 1 crank handle; 1 set of installation screws.

Description: Diecast operator and crank handle; zinc-plated; check specific arm length required.

Note: R-7035 requires no. R-7041 operator button.



R-7035
R-7036
R-7037

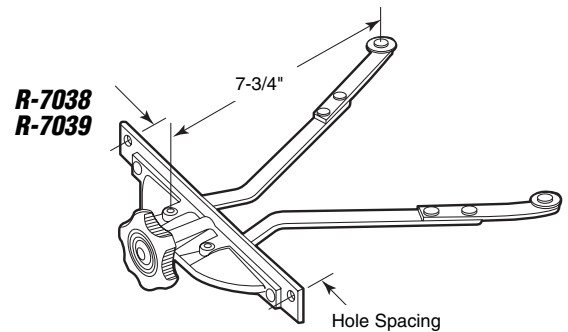
R-7038 (5-7/8" hole spacing)

R-7039 (4-13/16" hole spacing)

Sun Roof Vent Operator

Contents: 1 operator with extension arms; 1 crank knob; 1 set of installation screws.

Description: Diecast operator; steel arms; zinc plated; plastic crank handle; operator housing is available with two different hole spacings.



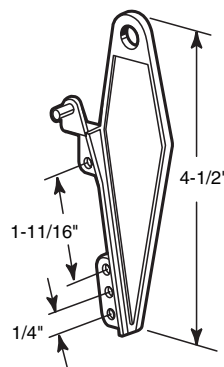
R-7038
R-7039

R-7040

Pivot Brackets

Contents: 1 left hand bracket; 1 right hand bracket.

Description: Diecast pivot brackets link the operator moving arm to the louvre window clip arm; adjustable; used on *Phillips* windows.



R-7040

Left Hand Shown

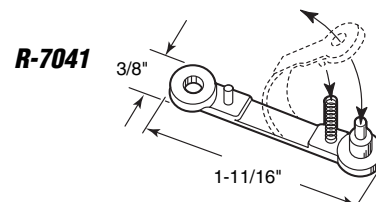
R-7041

Roof Vent Operator Button

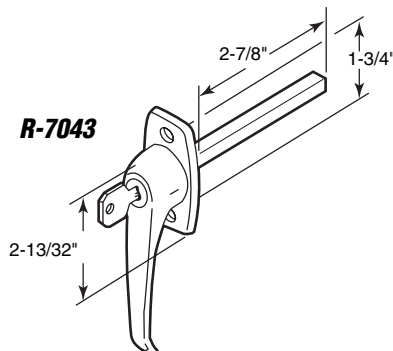
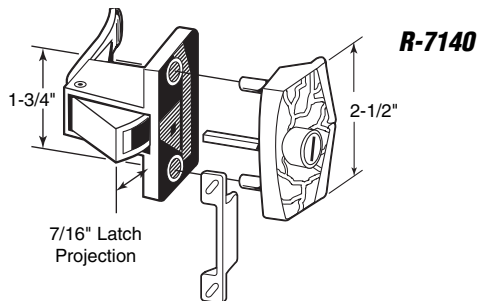
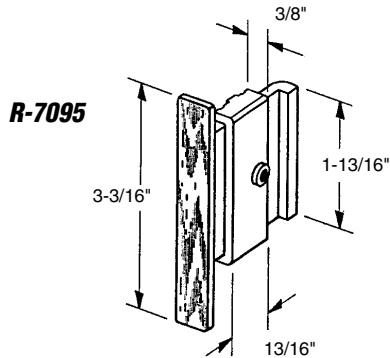
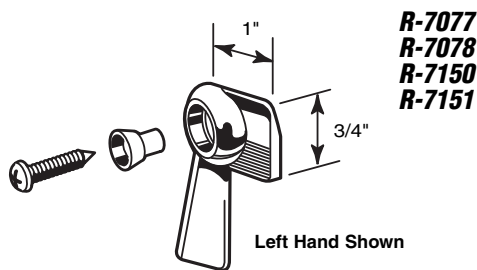
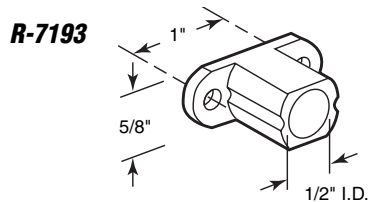
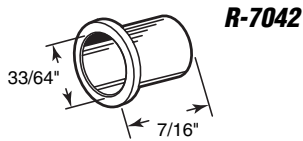
Contents: 2 buttons; 2 springs.

Description: Plastic roof vent attachment button; snaps onto end of operator arm and attaching unit; used by *Hehr* and others.

Note: Use with no. R-7035 operator.



R-7041



R-7042

Torque Bar Bushing

Contents: 2 bushings.

Description: Nylon bushing; accepts a 1/2" drive rod; used in conjunction with a variety of torque operators.

R-7193

Torque Bar Bushing

Contents: 2 bushings; 2 sets of installation screws.

Description: Nylon bushing; accepts a 1/2" drive rod; used in conjunction with a variety of torque operators.

R-7077 (Left hand - chrome finish)

R-7078 (Right hand - chrome finish)

R-7150 (Left hand - black finish)

R-7151 (Right hand - black finish)

Sliding Window Sash Lock

Contents: 2 locks; 2 bushings; 2 installation screws.

Description: Diecast lock; nylon bushing; no keeper required; lock engages fixed rail of window to hold vent shut.

R-7095

Sliding Window Latch and Pull

Contents: 1 latch assembly.

Description: White nylon with wood grain feature strip; spring loaded; self-latching; used on *Phillips* RV windows.

R-7140 (Antique brass finish)

Privacy Latch

Contents: 1 inside latch and pull; 1 outside pull; 1 pushbutton spindle; 1 strike, 1 set of installation screws.

Description: Diecast assembly; plastic pushbutton; interior lock button for privacy; use screwdriver in exterior pushbutton to override; fits 1/2" to 1" thick interior RV doors.

R-7043 (Chrome finish)

Locking Handle (Non-handed)

Contents: 1 locking handle; 2 keys; 1 set of installation screws.

Description: Diecast construction; 1-3/4" hole centers; 5/16" square spindle; hardened steel shaft; 90° rotation.

You may wish to stock these related parts: **R-7045, R-7046, R-7047.**

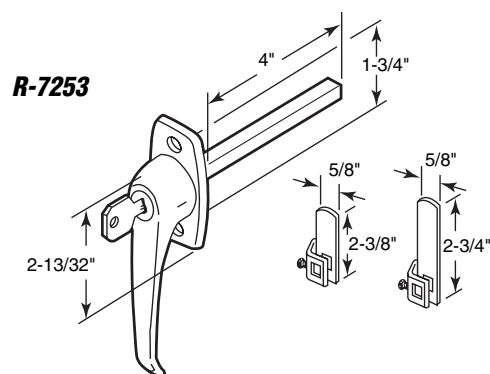
R-7253 (Non-handed)

Locking Handle (Chrome finish)

Contents: 1 locking handle; 2 keys; 2 cam locks; 1 set of installation screws.

Description: Diecast construction; **1-3/4" hole centers**; 5/16" square spindle; hardened **steel** shaft; used as a compartment lock and handle.

You may wish to stock these related parts: **R-7047**.



R-7044 (Chrome finish - 2-7/8" spindle length)

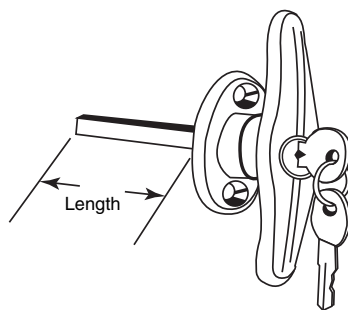
R-7197 (Black finish - 2" spindle length)

Locking Handle

Contents: 1 locking handle; 2 keys; 1 set of installation screws.

Description: Diecast construction; 5/16" square spindle; hardened **steel** shaft; **1-1/2" hole centers**; used as a compartment lock and handle.

You may wish to stock these related parts: **R-7045**, **R-7046**, **R-7047**.



R-7044
R-7197

R-7045 (2-3/8" latch length)

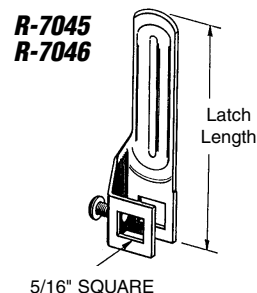
R-7046 (2-3/4" latch length)

Cam Lock

Contents: 1 cam lock with set screws.

Description: **Zinc plated steel**; accepts a 5/16" square spindle.

You may wish to stock these related parts: **R-7043**, **R-7044**.



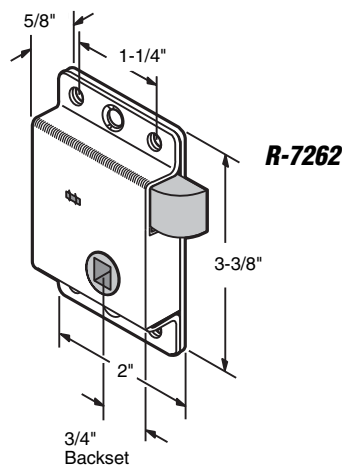
R-7262

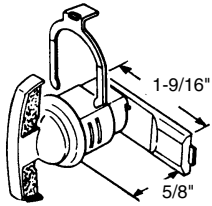
Latch Assembly

Contents: 1 latch.

Description: **Stamped steel** housing; **diecast** latch parts; surface mount; **zinc plated**; surface mounted interior latching mechanism for cabinet or compartment doors.

You may wish to stock these related parts: **R-7043**, **R-7044**, **R-7045**, **R-7046**.





R-7074

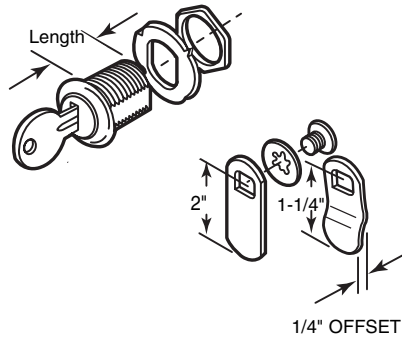
R-7074

Compartment Latch

Contents: 1 latch assembly; 1 holding clip.

Description: Diecast thumbturn and latch assembly; spring steel clip; zinc plated; requires a 3/4" hole for installation.

**R-7075
R-7252
R-7251**



R-7075 (5/8" cylinder length)

R-7252 (7/8" cylinder length)

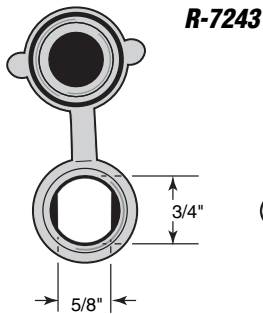
R-7251 (1-1/8" cylinder length)

Cylinder Lock - Keyed

Contents: 1 lock cylinder; 2 keys; 1 flush cam; 1 offset cam; 1 set of installation hardware.

Description: Zinc plated steel and diecast components; cylinder requires a 3/4" hole for installation; frequently used to secure RV compartments and tool cabinets.

You may wish to stock these related parts: **R-7243**.



R-7243

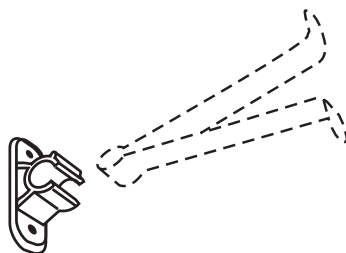
R-7243

Cylinder Lock Dust Cover

Contents: 2 lock covers.

Description: Black flexible rubber; prevents dust and dirt particles from entering key cylinder locks; extends lock life and reduces replacement costs; accommodates 3/4" diameter face plates.

R-7189



R-7189

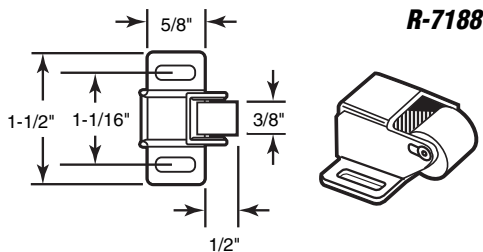
Screen Door Holder Catch

Call for Availability

Contents: 1 door catch; 1 set of installation screws.

Description: Nylon catch; used with latching rod shown; holds door in the "open" position.

Note: Holder Rod not included.



R-7188

R-7188

Screen Door Roller Catch

Contents: 1 screen door catch with 2 mounting screws.

Description: Zinc plated steel roller housing; spring loaded, gray vinyl roller; mounts to handle side of aluminum screen door, holds door in "closed" position.

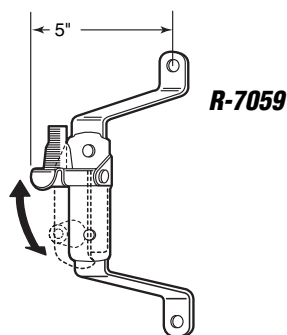
R-7059 (5" projection)

Door Holder

Call for Availability

Contents: 1 holder assembly with **rubber** bumper.

Description: **Cadmium plated steel**; spring loaded catch arm; holds door open when engaged into strike (in the up position); catch arm serves as a door bumper (in the down position).



R-7060 (2" projection)

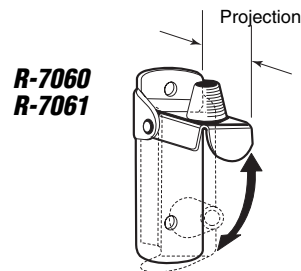
R-7061 (6" projection)

Door Holder

Call for Availability

Contents: 1 holder assembly with **rubber** bumper.

Description: **Cadmium plated steel**; spring loaded catch arm; holds door open when engaged into strike (in the up position); catch arm serves as a door bumper (in the down position).



R-7062

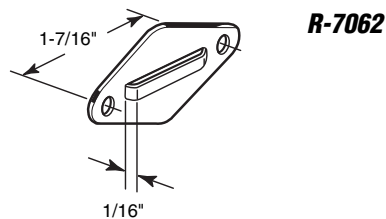
Door Holder Catch

Call for Availability

Contents: 1 catch plate.

Description: **Cadmium plated steel**; mounts on door to accept door holder and holds door in the "open" position.

You may wish to stock these related parts: **R-7059**, **R-7060**, **R-7061**.

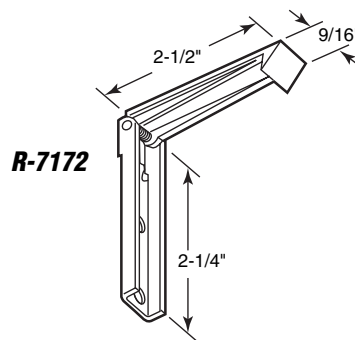


R-7172

Compartment Door Catch

Contents: 1 door catch with mounting screws.

Description: **Zinc plated steel** holds door in "open" position; used on cabinet and lift-up compartment doors.



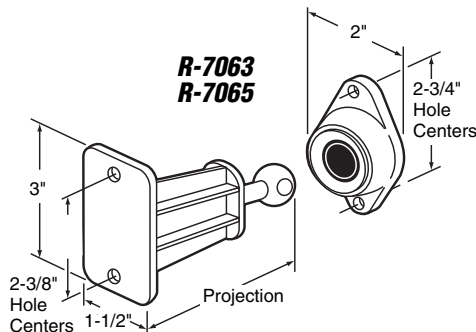
R-7063 (3" arm projection)

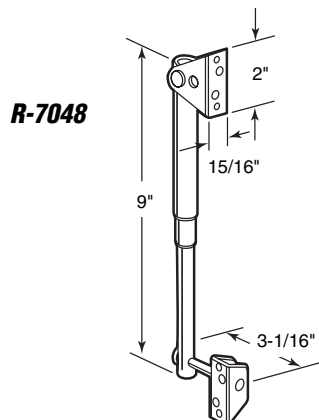
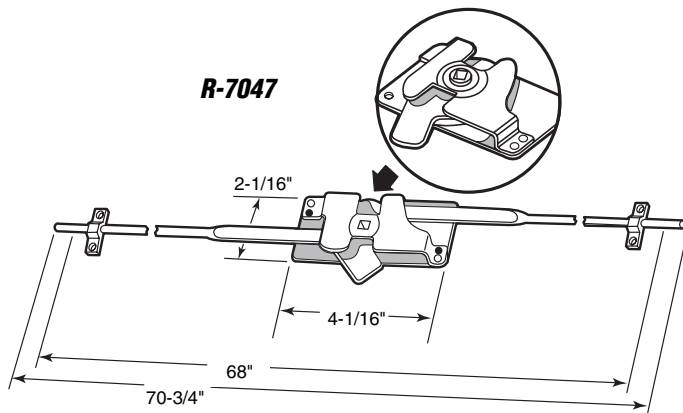
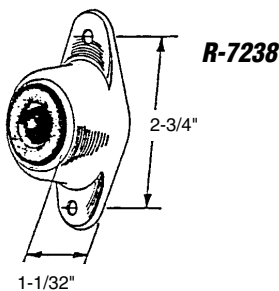
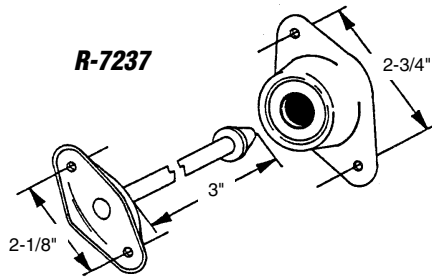
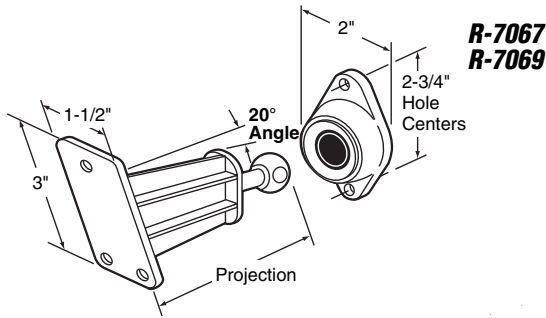
R-7065 (4-3/4" arm projection)

Door Holder Rod and Retainer (Colonial white)

Contents: 1 rod; 1 retainer with **rubber** insert.

Description: **Heavy-duty plastic** construction; **straight arm rod**; retainer accepts holder rod to secure door in the "open" position.





R-7067 (3" arm projection)
R-7069 (4-3/4" arm projection)

Door Holder Rod and Retainer (Colonial white)

Contents: 1 rod; 1 retainer with **rubber** insert.

Description: **Heavy-duty plastic** construction; **angled arm rod**; retainer accepts holder rod to secure door in the "open" position.

R-7237

Door Holder Rod and Retainer

Contents: 1 rod; 1 retainer with **rubber** insert.

Description: **Cadmium plated steel** rod and retainer housing; rubber retainer secures door in the "open" position.

You may wish to stock these related parts: **R-7238**.

R-7238

Door Holder Rod Retainer

Contents: 1 retainer.

Description: **Cadmium plated steel** housing; rubber insert.

R-7047

Camper Door 3-Point Lock

Contents: 1 lock assembly with extension rods; 2 guide brackets; 1 set of installation screws.

Description: 3 point deadlock assembly; **zinc plated steel** construction; lock arms extend to 70-3/4".

You may wish to stock these related parts: **R-7043, R-7044**.

R-7048

Camper Door Spring Prop

Contents: 1 prop with brackets; 1 set of installation screws.

Description: **Plated steel** spring cartridge and brackets; adjustable; heavy duty construction; **34 lbs. lift capacity**.

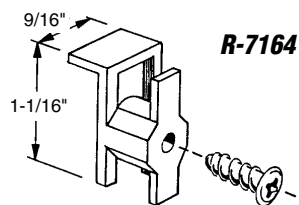
R-7164

Sliding Door Guides

Contents: 4 guides; 4 no. 10 x 1/2" Phillips pan head sheet metal screws.

Description: White plastic sliding door guides for use on Arrow storage buildings manufactured prior to 1977.

You may wish to stock these related parts: R-7165, R-7166.



R-7165

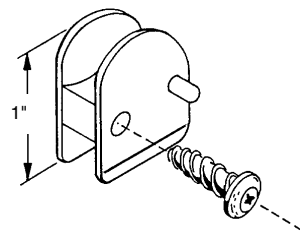
Sliding Door Guides

Contents: 4 guides; 4 no. 10 x 1/2" Phillips pan head sheet metal screws.

Description: Brown plastic sliding door guides for use on Arrow storage buildings manufactured after 1976.

You may wish to stock these related parts: R-7164, R-7166.

R-7165



R-7166

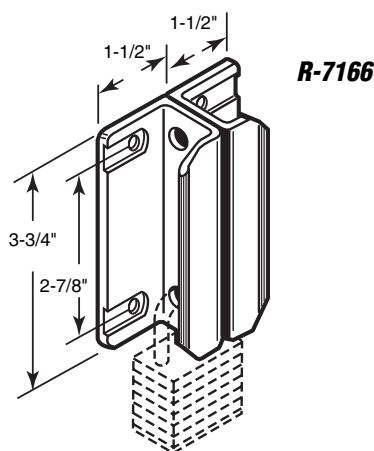
Sliding Door Handle

Contents: 2 handles; 4 no. 10-24 x 1/2" carriage bolts; 4 no. 10-24 hex nuts; 4 lock washers.

Description: Heavy duty black nylon handles; tamper-proof screws; used to secure pairs of sliding doors on storage buildings.

Note: Lock not included.

You may wish to stock these related parts: R-7164, R-7165.



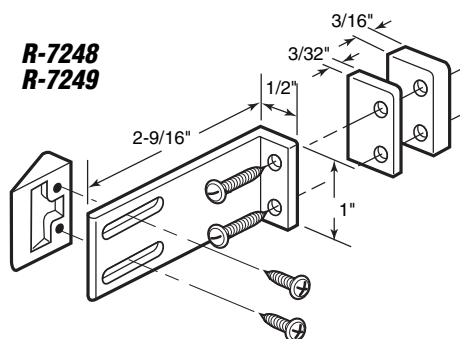
R-7248 (Single door set)
R-7249 (Double door set)

Call for
Availability

Refrigerator Door Latch

Contents: 1 set contains- 1 mounting bracket; 1 stop wedge; 4 spacers; 1 set of installation screws.

Description: Durable off-white plastic components; adjustable; positive latching action eliminates the need for other latching devices.

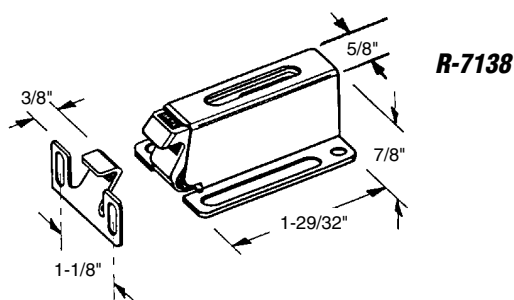


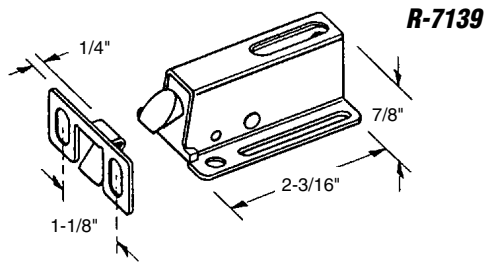
R-7138 (Brown finish)

Cabinet Door Catch

Contents: 1 catch; 1 keeper; 1 set of installation screws.

Description: Steel housing and keeper; nylon catch; positive latching action; frequently used on mobile home cabinets; latch retracts by pulling outside knob.

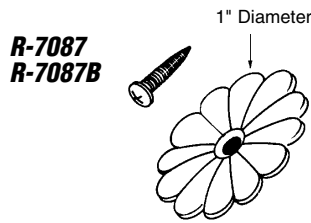




R-7139 (Brown finish)
Cabinet Door Catch

Contents: 1 catch; 1 keeper; 1 set of installation screws.

Description: Steel housing and keeper; nylon catch; positive latching action; frequently used on mobile home cabinets; latch retracts by pulling outside knob.

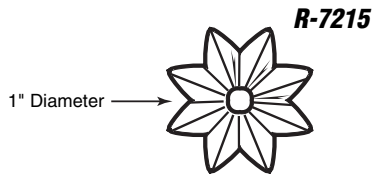


R-7087 (Carded)
R-7087B (Bulk)
Ceiling and Wall Board Rosettes (White)

Contents: Carded- 5 rosettes; 5 no. 6 x 1-1/4" Phillips oval head sheet metal screws.

Bulk- 100 rosettes only.

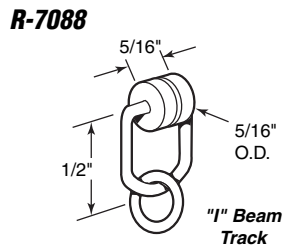
Description: Nylon; petal design; used to secure ceiling panels or wall board in mobile homes.



R-7215 (Clear)
Mirror Rosettes

Contents: 6 rosettes; 6 no. 6 x 1-1/4" Phillips oval head sheet metal screws.

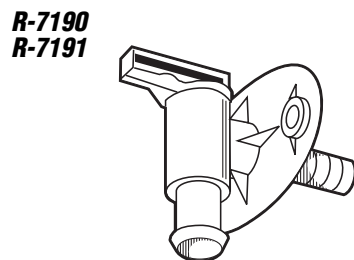
Description: Acrylic; star design; used to secure mirror to wall in mobile homes.



R-7088
Drapery Carrier

Contents: 12 carriers.

Description: RV drapery carriers designed for "I" beam track; nylon rollers, steel hangers; attaches curtain securely to track.



R-7190 (1/2" tube fitting)
R-7191 (3/8" tube fitting)
Drain Valve

Contents: 1 drain valve.

Description: Durable white plastic construction; used to drain built-in water tank.

R-7198 (White)

R-7199 (Brown)

Skirting Vents

Contents: 50 vents per carton.

Description: Durable plastic construction; designed for installation on mobile home skirting; facilitates ventilation.

R-7171

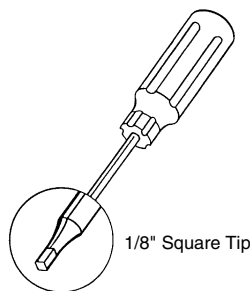
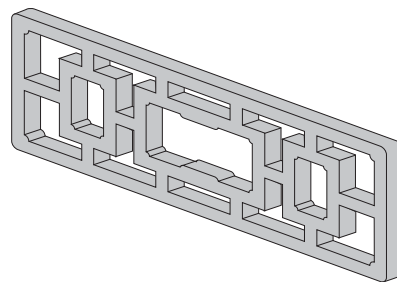
Square Tip Screwdriver

Contents: 1 screwdriver.

Description: Zinc plated steel shank; nylon handle, for use on RV accessories which utilize 1/8" square recess fasteners.

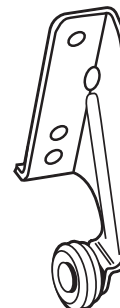
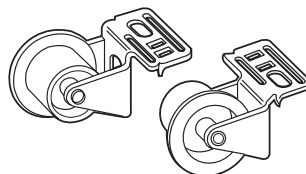
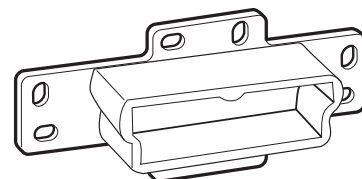
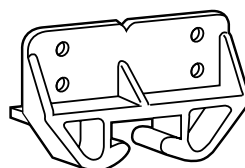
Drawer and cabinet hardware located in the following section, is used in both RV/mobile home and residential applications.

R-7198
R-7199



R-7171

1/8" Square Tip



INDEX - Drawer and Cabinet Hardware

Part No.	Page No.	Description	Package Quantity	Standard Pack
CCBP-7156	R2-2	Drawer Track Guide	1	50
CCBP-7157	R2-3	Drawer Track Guide	1	50
CCBP-7158	R2-3	Drawer Track Guide	1	50
CCBP-7159	R2-3	Drawer Track Guide	1	50
CCBP-7160	R2-5	Drawer Track Guide	1	50
CCBP-7161	R2-4	Drawer Track Guide	1	50
CCBP-7162	R2-4	Drawer Track Guide	1	50
CCBP-7163	R2-7	Drawer Track Back Plate	1	50
CCBP-7168	R2-4	Drawer Track Guide	1	50
CCBP-7169	R2-7	Drawer Track Back Plate	1	50
CCBP-7195	R2-6	Drawer Track Back Plate	1	50
CCBP-7216	R2-9	Drawer Track Front Plate	1	50
CCEP-7134 (Antique brass finish)	R2-12	Cabinet Door Hinge (Self closing)	1 pair	15
CCEP-7135 (Antique brass finish)	R2-12	Cabinet Door Hinge (Non-self closing)	1 pair	20
CCEP-7136 (Antique brass finish)	R2-12	Cabinet Door Hinge (Self closing)	1 pair	15
CCEP-7200 (Brass finish)	R2-12	Cabinet Door Hinge (Non-self closing)	1 pair	20
CCEP-7201 (Chrome finish)	R2-12	Cabinet Door Hinge (Non-self closing)	1 pair	20
CCEP-7202 (White finish)	R2-12	Cabinet Door Hinge (Non-self closing)	1 pair	20
CCEP-7203 (Brass finish)	R2-12	Cabinet Door Hinge (Self closing)	1 pair	15
CCEP-7204 (Chrome finish)	R2-12	Cabinet Door Hinge (Self closing)	1 pair	15
CCEP-7205 (White finish)	R2-12	Cabinet Door Hinge (Self closing)	1 pair	15
CCEP-7206 (Brass finish)	R2-12	Cabinet Door Hinge (Self closing)	1 pair	15
CCEP-7207 (Chrome finish)	R2-12	Cabinet Door Hinge (Self closing)	1 pair	15
CCEP-7208 (White finish)	R2-12	Cabinet Door Hinge (Self closing)	1 pair	15
CCEP-7236 (Antique brass finish)	R2-12	Cabinet Door Hinge (Self closing)	1 pair	20
CCR-7125	R2-1	Rolled Edge Drawer Track Kit	1	30
CCR-7144	R2-1	Wood Drawer Track Kit	1	30
CCSC-7155	R2-10	Drawer Guide Side Saddles	1	500
CCSC-7156	R2-2	Drawer Track Guide	1	100
CCSC-7157	R2-3	Drawer Track Guide	1	100
CCSC-7158	R2-3	Drawer Track Guide	1	100
CCSC-7159	R2-3	Drawer Track Guide	1	100
CCSC-7160	R2-5	Drawer Track Guide	1	100
CCSC-7161	R2-4	Drawer Track Guide	1	100
CCSC-7162	R2-4	Drawer Track Guide	1	100
CCSC-7163	R2-7	Drawer Track Back Plate	1	100
CCSC-7167	R2-10	Drawer Guide Side Saddles	10	100
CCSC-7168	R2-4	Drawer Track Guide	1	100
CCSC-7169	R2-7	Drawer Track Back Plate	1	100
CCSC-7170	R2-4	Drawer Track Guide	1	100
CCSC-7192	R2-3	Drawer Track Guide	1	100
CCSC-7195	R2-6	Drawer Track Back Plate	1	100
CCSC-7216	R2-9	Drawer Track Front Plate	1	100
R-7076 (Brass finish)	R2-14	Drawer & Cabinet Lock	1	.6
R-7079	R2-14	Friction Catch	3	.6
R-7080	R2-13	Magnetic Catch	2	.6
R-7081	R2-13	Dual Roller Catch	3	.6
R-7082	R2-2	Drawer Track Guide Kit	2	.6
R-7083	R2-3	Drawer Track Guide Kit	2	.6
R-7084	R2-3	Drawer Track Guide Kit	2	.6
R-7085	R2-3	Drawer Track Guide Kit	2	.6
R-7086	R2-5	Drawer Track Guide Kit	2	.6
R-7123	R2-8	Drawer Track Back Plate	1	.6
R-7124	R2-11	Drawer Track Roller	2	.6
R-7125	R2-1	Rolled Edge Drawer Track Kit	1	10

INDEX - Drawer and Cabinet Hardware

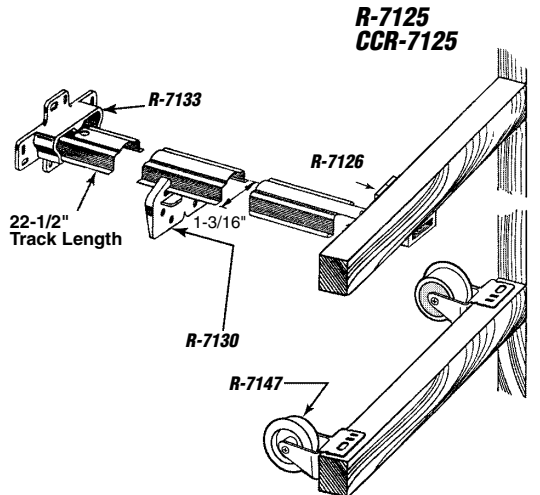
Part No.	Page No.	Description	Package Quantity	Standard Pack
R-7126	R2-9	Drawer Track Front Plate	2	6
R-7127	R2-13	Dual Roller Clip	6	6
R-7128	R2-3	Drawer Track Guide Kit	2	6
R-7130	R2-4	Drawer Track Guide Kit	2	6
R-7131	R2-6	Drawer Track Back Plate	2	6
R-7132	R2-11	Drawer Track Roller	2	6
R-7133	R2-7	Drawer Track Back Plate	2	6
R-7137	R2-1	Monorail Drawer Track Kit	1	10
R-7141 (Left hand)	R2-11	Drawer Track Roller	2	6
R-7142	R2-4	Drawer Track Guide Kit	2	6
R-7143	R2-7	Drawer Track Back Plate	2	6
R-7144	R2-1	Wood Drawer Track Kit	1	10
R-7145	R2-8	Drawer Track Back Plate	2	6
R-7146	R2-7	Drawer Track Back Plate	2	6
R-7147	R2-10	Drawer Guide Roller Assembly	1 pair	6
R-7148 (Right hand)	R2-11	Drawer Track Roller	2	6
R-7152	R2-4	Drawer Track Guide Kit	2	6
R-7153	R2-10	Drawer Guide Side Saddles	10	6
R-7154	R2-4	Drawer Track Guide Kit	2	6
R-7173	R2-13	Magnetic Catch	2	6
R-7174 (Bronze finish)	R2-13	Dual Roller Catch	2	6
R-7194	R2-8	Drawer Track Back Plate	1	6
R-7210 (16"Length)	R2-2	Drawer Slide Kit	1	6
R-7211 (18"Length)	R2-2	Drawer Slide Kit	1	6
R-7212 (20"Length)	R2-2	Drawer Slide Kit	1	6
R-7213 (22"Length)	R2-2	Drawer Slide Kit	1	6
R-7214 (24"Length)	R2-2	Drawer Slide Kit	1	6
R-7217	R2-6	Drawer Track Guide Kit	2	6
R-7218 (15/16" diameter roller)	R2-10	Drawer Guide Roller Assembly	2	6
R-7219 (5/8" diameter roller)	R2-10	Drawer Guide Roller Assembly	2	6
R-7220	R2-10	Drawer Guide Roller Assembly	1 pair	6
R-7221	R2-5	Drawer Track Guide Kit	2	6
R-7222	R2-5	Drawer Track Guide Kit	2	6
R-7223	R2-2	Drawer Track Guide Kit	2	6
R-7227	R2-9	Drawer Track Back Plate	1 pair	6
R-7228	R2-14	Drawer Slide Roller	2	6
R-7230	R2-11	Drawer Track Roller	2	6
R-7232	R2-9	Drawer Track Front Plate	2	6
R-7233	R2-8	Drawer Track Back Plate	2	6
R-7234	R2-6	Drawer Track Guide Kit	2	6
R-7235	R2-2	Tubular Drawer Track Kit	1	10
R-7239	R2-9	Drawer Track Front Plate	2	6
R-7240	R2-9	Drawer Track Back Plate	1 pair	6
R-7241	R2-7	Drawer Track Back Plate	2	6
R-7242	R2-13	Friction Catch	2	6
R-7245 (1/4" wide x 1" long)	R2-14	Door Glides	2	6
R-7246 (3/8" wide x 1-3/8" long)	R2-14	Door Glides	2	6
R-7250	R2-14	Drawer Stop	1	6
R-7255	R2-14	Drawer Slide Roller	2	6
R-7256	R2-11	Drawer Track Roller	2	6
R-7257	R2-12	Drawer Track Roller	2	6
R-7260	R2-6	Drawer Track Guide	1	1
R-7261	R2-7	Drawer Track Back Plate	1	6
R-7264	R2-8	Drawer Track Back Plate	2	6
R-7265	R2-9	Drawer Track Back Plate	1 pair	1

INDEX - **Drawer and Cabinet Hardware**

Part No.	Page No.	Description	Package Quantity	Standard Pack
R-7266	R2-5	Drawer Track Guide Kit.....	2.....	6
R-7275	R2-14	Drawer and Cabinet Latch	1.....	6
ZZ-20.....	R2-10.....	Display Rack (Only)	1.....	1

The following pages offer a comprehensive selection of:

Drawer and Cabinet HARDWARE



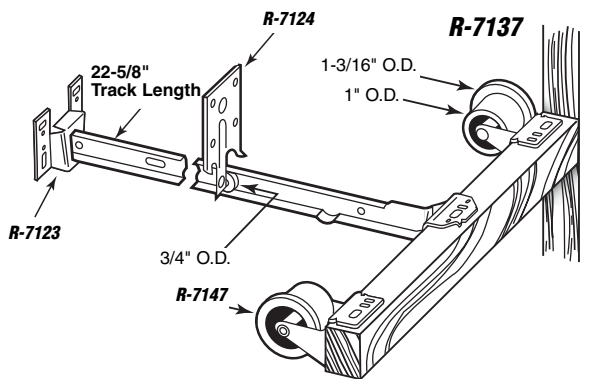
R-7125 CCR-7125 (30 per display box)

Roller Edge Drawer Track Kit

Contents: 1 track; 1 front plate; 1 back plate; 1 drawer guide; 2 front rollers; 1 set of installation fasteners.

Description: Rolled edge galvanized steel track; polyethylene guides; nylon front rollers; components designed for superior strength and smooth operation; may be used for top or bottom mount installations.

Note: 22-1/2" long track may be cut down to fit shorter drawer applications.

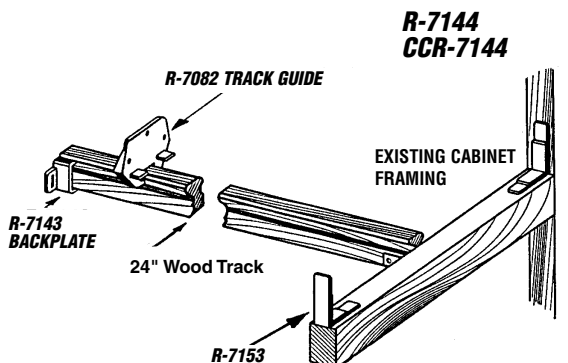


R-7137 Monorail Drawer Track Kit

Contents: 1 track; 1 roller guide; 1 rear mount bracket; 1 left hand roller; 1 right hand roller; 1 set of installation fasteners.

Description: Galvanized steel track and rear support bracket; nylon rollers; 75 lb. test rated; requires 1-1/4" clearance for installation; may be top or bottom mounted.

Note: 22-5/8" long track may be cut down to fit shorter drawer applications.



R-7144 CCR-7144 (30 per display box)

Wood Drawer Track Kit

Contents: 1 wood track; 1 drawer guide; 1 back plate; 2 "L" angles; 2 side saddles; 1 set of installation fasteners.

Description: Wood track; polyethylene guides and side saddles; steel angle brackets support front end of track; designed to replace most wood track systems; may be used for top or bottom mount installations; restores smooth operation to track mounted drawers.

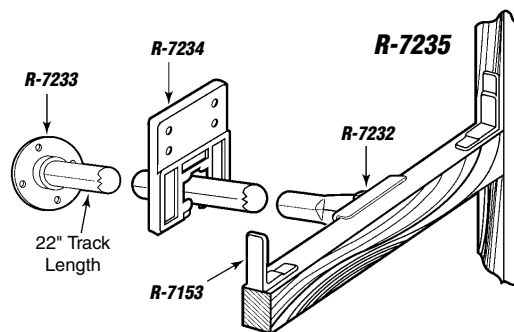
Note: 24" long track may be cut down to fit shorter drawer applications.

R-7235

Tubular Drawer Track Kit

Contents: 1 track; 1 front plate; 1 back plate; 1 drawer guide; 2 side saddles; 1 set of installation hardware.

Description: White powder coated cylindrical track; white polyethylene guide and side saddles; plastic support brackets; stop notch prevents drawer from being accidentally pulled out.



R-7210 (16" Length)

R-7211 (18" Length)

R-7212 (20" Length)

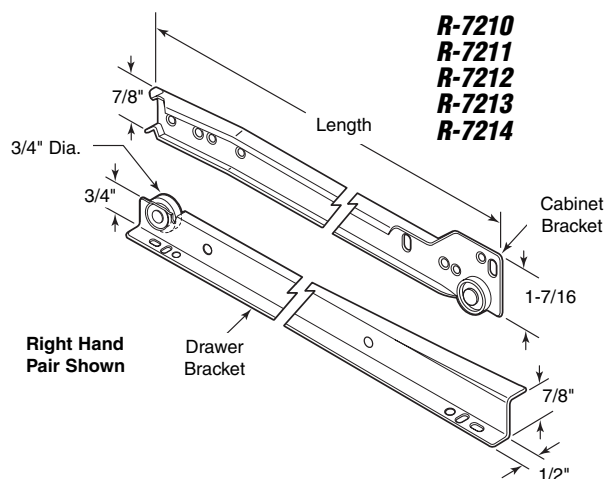
R-7213 (22" Length)

R-7214 (24" Length)

Drawer Slide Kit

Contents: 1 left hand pair; 1 right hand pair; 1 set of installation hardware.

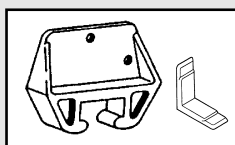
Description: Powder coated steel tracks with nylon rollers; positive stop in closed position; double stop in extended position locks drawer open; self-closing 2-1/2" from end; rollers are captive on one side to reduce side play; drawer lifts out for easy removal.



R-7082 (Carded)

CCSC-7156 (100 bulk)

CCBP-7156 (50 bulk)



Drawer Track Guide Kit

Contents: Carded - 2 guides; 4 side saddles; 1 set of installation fasteners.

Bulk - Guides only in display box.

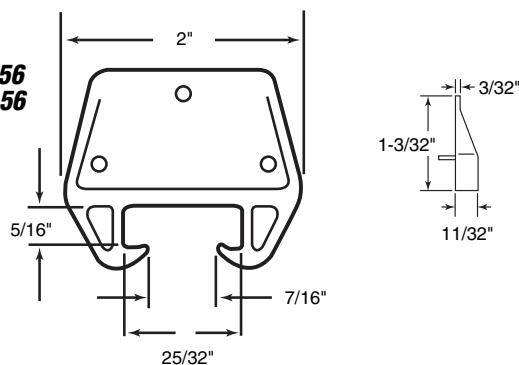
Description: Red polyethylene guide and white polyethylene side saddles; restores smooth operation of track mounted drawers.

Note: Fits a 9/32" x 3/4" track.

R-7082

CCSC-7156

CCBP-7156



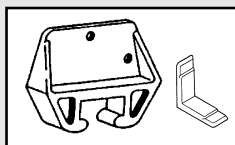
R-7223

Drawer Track Guide Kit

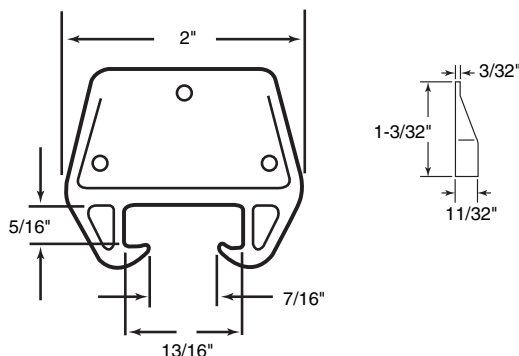
Contents: Carded- 2 guides; 4 side saddles; 2 sets of installation fasteners.

Description: White polyethylene guide with no back alignment tabs; white polyethylene side saddles; restores smooth operation of track mounted drawers.

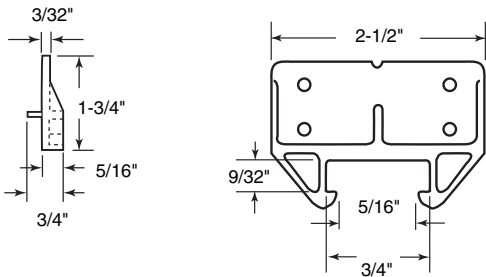
Note: Fits a 9/32" x 3/4" track.



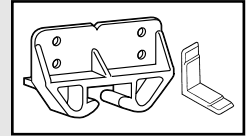
R-7223



R-7083
CCSC-7157
CCBP-7157



R-7083 (Carded)
CCSC-7157 (100 bulk)
CCBP-7157 (50 bulk)



Drawer Track Guide Kit

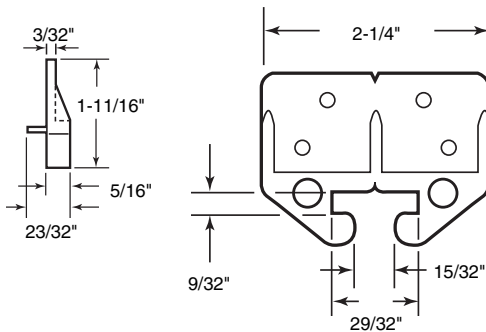
Contents: Carded - 2 guides; 4 side saddles; 1 set of installation fasteners.

Bulk - Guides only in display box.

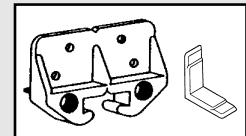
Description: Blue polyethylene guide and white polyethylene side saddles; restores smooth operation of track mounted drawers.

Note: Fits a 1/4" x 3/4" track.

R-7084
CCSC-7158
CCBP-7158



R-7084 (Carded)
CCSC-7158 (100 bulk)
CCBP-7158 (50 bulk)



Drawer Track Guide Kit

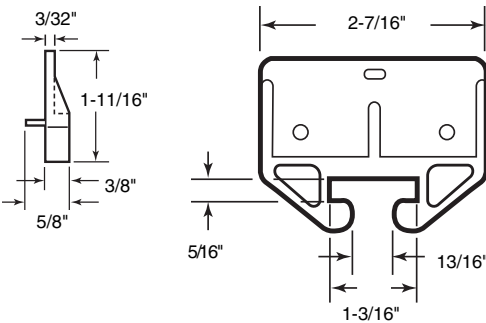
Contents: Carded - 2 guides; 4 side saddles; 1 set of installation fasteners.

Bulk - Guides only in display box.

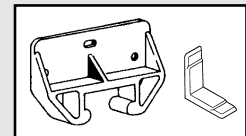
Description: Brown polyethylene guide and white polyethylene side saddles; restores smooth operation of track mounted drawers.

Note: Fits a 1/4" x 7/8" track.

R-7085
CCSC-7159
CCBP-7159



R-7085 (Carded)
CCSC-7159 (100 bulk)
CCBP-7159 (50 bulk)



Drawer Track Guide Kit

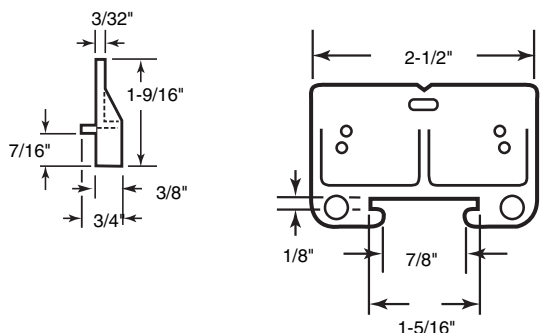
Contents: Carded - 2 guides; 4 side saddles; 1 set of installation fasteners.

Bulk - Guides only in display box.

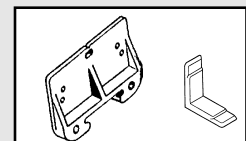
Description: Green polyethylene guide and white polyethylene side saddles; restores smooth operation of track mounted drawers.

Note: Fits a 9/32" x 1-1/8" track.

R-7128
CCSC-7192



R-7128 (Carded)
CCSC-7192 (100 bulk)



Drawer Track Guide Kit

Contents: Carded - 2 guides; 4 side saddles; 1 set of installation fasteners.

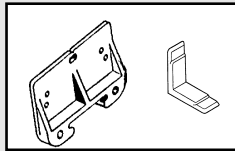
Bulk - Guides only in display box.

Description: White polyethylene guide and white polyethylene side saddles; restores smooth operation of track mounted drawers.

Note: Fits a 3/32" x 1-1/4" track.

Drawer and Cabinet Hardware

R-7130 (Carded)
CCSC-7168 (100 bulk)
CCBP-7168 (50 bulk)



Drawer Track Guide Kit

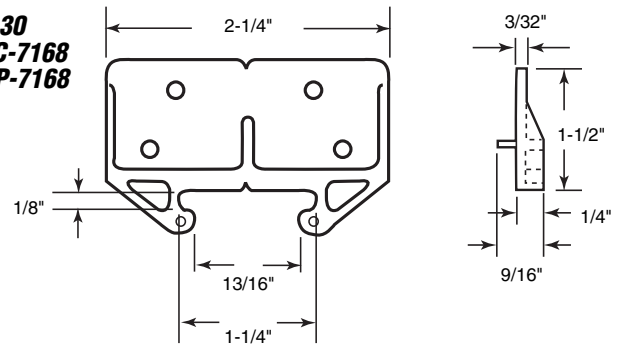
Contents: Carded - 2 guides; 4 side saddles; 1 set of installation fasteners.

Bulk - Guides only in display box.

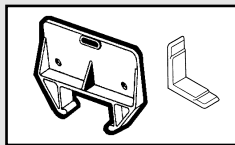
Description: White polyethylene guide and white polyethylene side saddles; restores smooth operation of track mounted drawers.

Note: Fits a 3/32" x 1-3/16" track.

R-7130
CCSC-7168
CCBP-7168



R-7152 (Carded)
CCSC-7161 (100 bulk)
CCBP-7161 (50 bulk)



Drawer Track Guide Kit

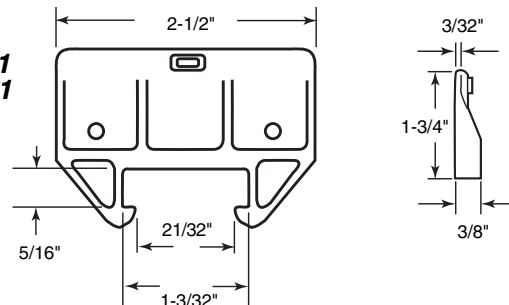
Contents: Carded - 2 guides; 4 side saddles; 1 set of installation fasteners.

Bulk - Guides only in display box.

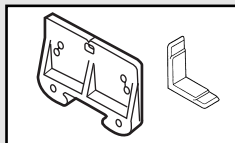
Description: Orange polyethylene guide and white polyethylene side saddles; restores smooth operation of track mounted drawers.

Note: Fits a 9/32" x 1-1/8" track.

R-7152
CCSC-7161
CCBP-7161



R-7154 (Carded)
CCSC-7162 (100 bulk)
CCBP-7162 (50 bulk)



Drawer Track Guide Kit

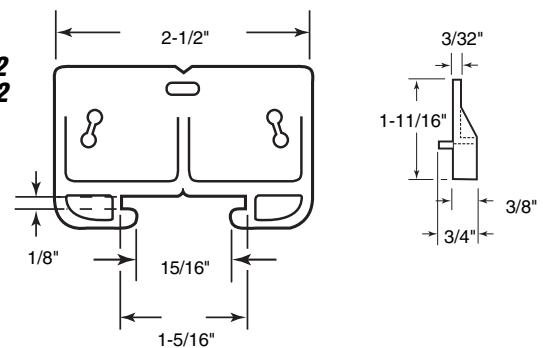
Contents: Carded - 2 guides; 4 side saddles; 1 set of installation fasteners.

Bulk - Guides only in display box.

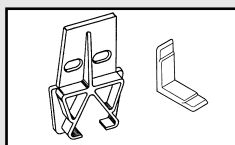
Description: White polyethylene guide and white polyethylene side saddles; restores smooth operation of track mounted drawers.

Note: Fits a 3/32" x 1-9/32" track.

R-7154
CCSC-7162
CCBP-7162



R-7142 (Carded)
CCSC-7170 (100 bulk)



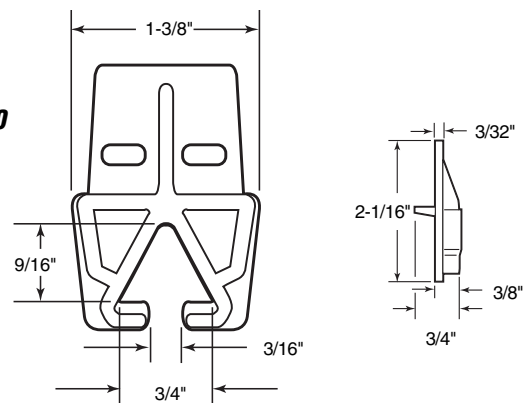
Drawer Track Guide Kit

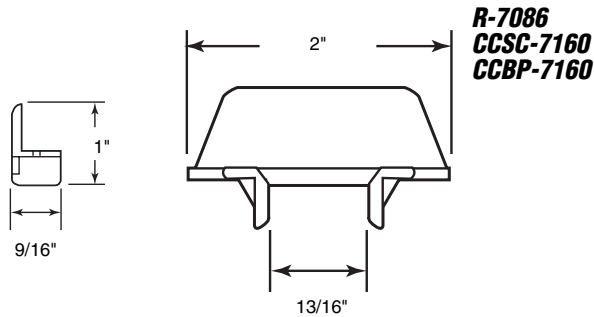
Contents: Carded - 2 guides; 4 side saddles; 1 set of installation fasteners.

Bulk - Guides only in display box.

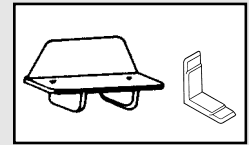
Description: White polyethylene guide and white polyethylene side saddles; restores smooth operation of track mounted drawers; frequently used on RV's and mobile homes.

R-7142
CCSC-7170





R-7086 (Carded)
CCSC-7160 (100 bulk)
CCBP-7160 (50 bulk)



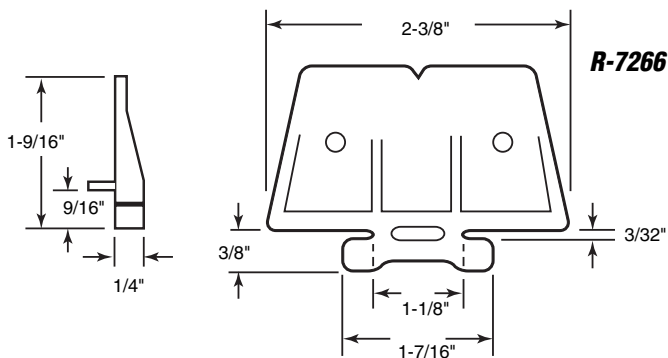
Drawer Track Guide Kit

Contents: Carded - 2 guides; 4 side saddles; 1 set of installation fasteners.

Bulk - Guides only in display box.

Description: White polyethylene guide and white polyethylene side saddles; restores smooth operation of track mounted drawers.

Note: Fits a 13/16" wide track.



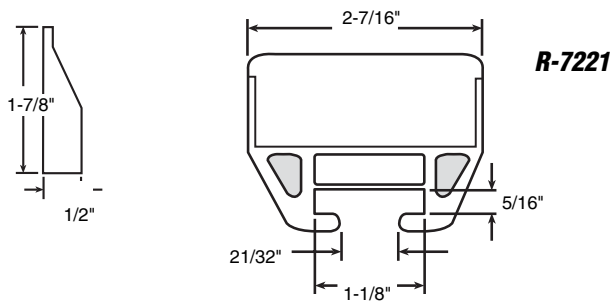
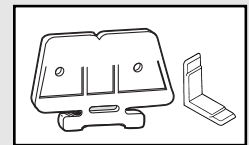
R-7266

Drawer Track Guide Kit

Contents: 2 guides; 4 side saddles; 2 sets of installation fasteners.

Description: White polyethylene guide and white polyethylene side saddles; restores smooth operation of track mounted drawers.

Note: Fits a 1-1/2" track opening.



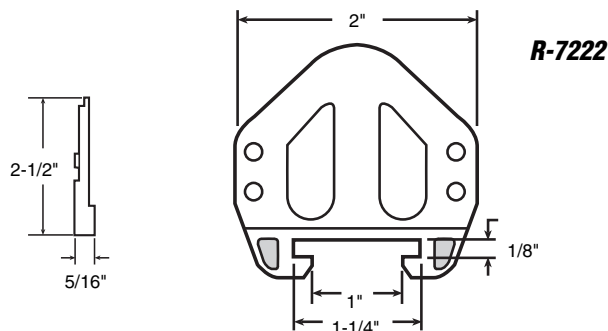
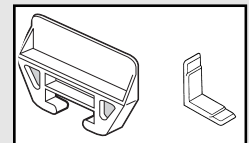
R-7221

Drawer Track Guide Kit

Contents: 2 guides; 4 side saddles; 1 set of installation fasteners.

Description: White polyethylene guide and white polyethylene side saddles; restores smooth operation of track mounted drawers.

Note: Fits a 9/32" x 1-3/32" wide track.



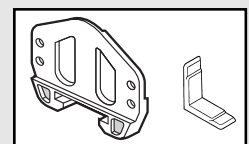
R-7222

Drawer Track Guide Kit

Contents: 2 guides; 4 side saddles; 2 sets of installation fasteners.

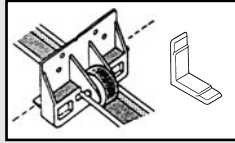
Description: White polyethylene guide and white polyethylene side saddles; restores smooth operation of track mounted drawers.

Note: Fits a 3/32" x 1-7/32" wide track.



R-7217

Drawer Track Guide Kit

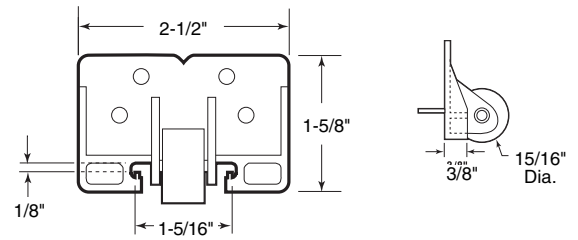


Contents: 2 roller assemblies; 4 side saddles; 2 sets of installation fasteners.

Description: White polyethylene guide with nylon roller; designed for use with rolled edge steel tracks.

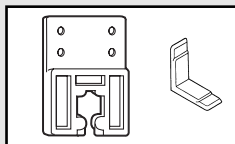
Note: Fits a 3/32" x 1-9/32" track.

R-7217



R-7234

Drawer Track Guide Kit



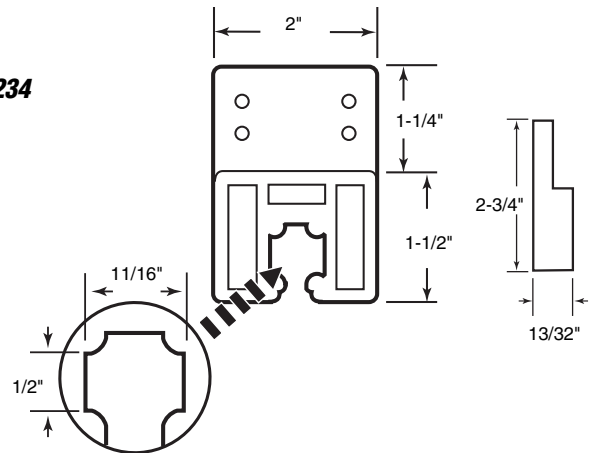
Contents: 2 guides; 4 side saddles; 2 sets of installation fasteners.

Description: White polyethylene guide with polyethylene side saddles; restores smooth operation of track mounted drawers.

Note: Fits a 5/8" diameter track.

You may wish to stock these related parts: R-7232, R-7233, R-7235.

R-7234



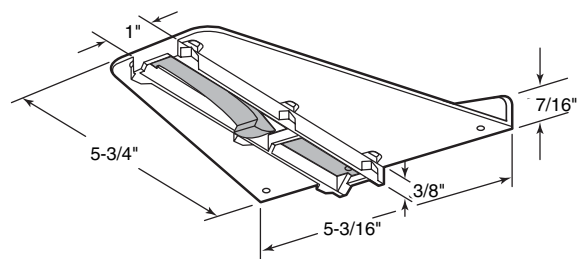
R-7260

Drawer Track Guide

Contents: 1 guide.

Description: White polyethylene; large bearing area for heavily loaded drawers; 6 point contact reduces lateral movement of drawer.

R-7260



R-7131 (Carded)

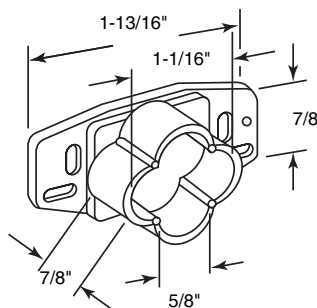
CCSC-7195 (100 bulk)

CCBP-7195 (50 bulk)

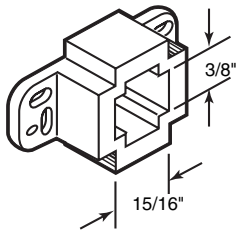
Drawer Track Back Plate

Contents: Carded - 1 backplate; 1 set of installation screws.
Bulk - Backplates only in display box.

Description: Polyethylene backplate can be mounted either horizontally or vertically; new style; used with Amerock tri-roller drawer slide track.

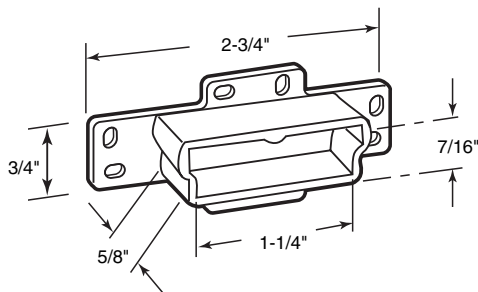
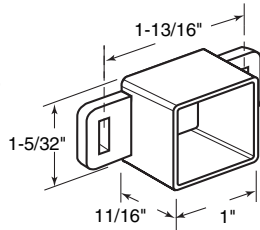


R-7131
CCSC-7195
CCBP-7195



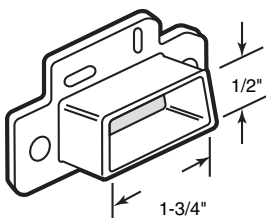
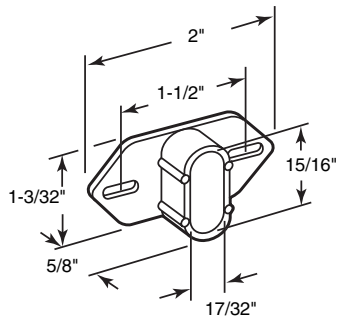
R-7261

R-7143
CCSC-7163
CCBP-7163



R-7133
CCSC-7169
CCBP-7169

R-7146



R-7241

R-7261

Drawer Track Back Plate

Contents: 1 backplate with installation screws.

Description: Polyethylene backplate can be mounted either horizontally or vertically; **old style**; used with **Amerock tri-roller drawer slide track**.

R-7143 (Carded)

CCSC-7163 (100 bulk)

CCBP-7163 (50 bulk)

Drawer Track Back Plate

Contents: Carded - 1 backplate; 1 set of installation screws.

Bulk - Backplates only in display box.

Description: Polyethylene; 1" square cavity allows self-alignment of center mounted drawer tracks.

R-7133 (Carded)

CCSC-7169 (100 bulk)

CCBP-7169 (50 bulk)

Drawer Track Back Plate

Contents: Carded-1 backplate; 1 set of installation screws.

Bulk - Backplates only in display box.

Description: White polyethylene backplates can be inverted for self-adjusting application; for use on rolled edge and other center mounted tracks.

You may wish to stock these related parts: **R-7125, R-7126, R-7130.**

R-7146

Drawer Track Back Plate

Contents: 2 backplates; 2 sets of installation screws.

Description: White polyethylene; for use on standard "C" shaped and other center mounted tracks.

You may wish to stock these related parts: **R-7123, R-7124, R-7194.**

R-7241

Drawer Track Back Plate

Contents: 2 backplates; 2 sets of installation screws.

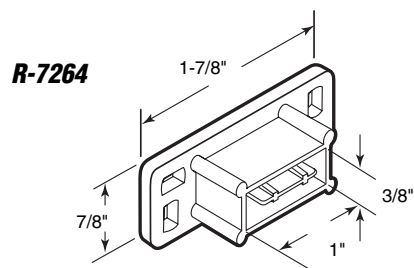
Description: White polyethylene; for use on center mounted drawer tracks.

R-7264

Drawer Track Back Plate

Contents: 2 backplates; 2 sets of installation screws.

Description: White polyethylene; for use on center mounted drawer tracks.



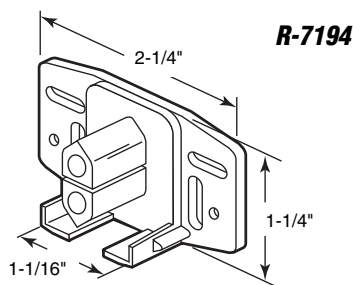
R-7194

Drawer Track Back Plate

Contents: 1 backplate; 1 set of installation screws.

Description: White polyethylene; used on "C" style center mounted tracks.

You may wish to stock these related parts: R-7123, R-7124, R-7146.



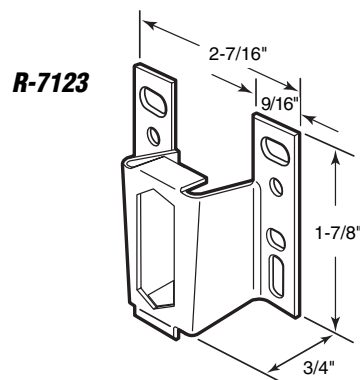
R-7123

Drawer Track Back Plate

Contents: 1 backplate; 1 set of installation screws.

Description: Galvanized steel; used on monorail "C" style drawer tracks.

You may wish to stock these related parts: R-7124, R-7146, R-7147.



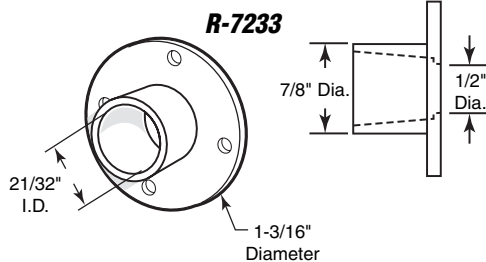
R-7233

Drawer Track Back Plate

Contents: 2 backplates; 2 sets of installation screws.

Description: Polyethylene; used with 5/8" cylindrical style center mounted drawer tracks.

You may wish to stock these related parts: R-7232, R-7234, R-7235.

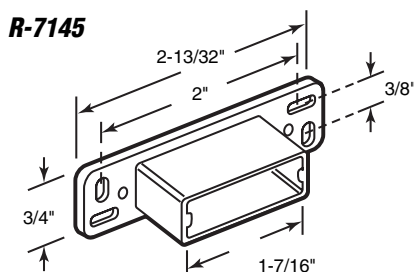


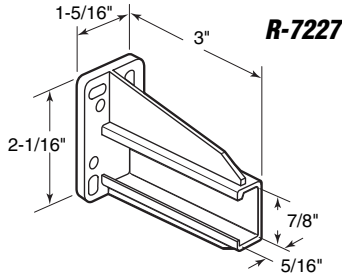
R-7145

Drawer Track Back Plate

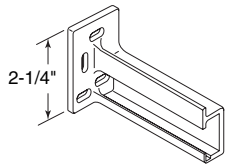
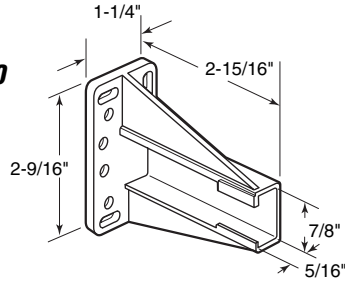
Contents: 2 backplates; 2 sets of installation screws.

Description: White polyethylene; reversible left or right; fits several side mounted drawer tracks.

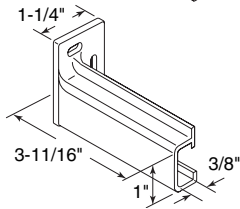




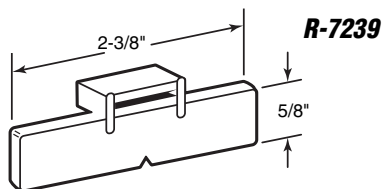
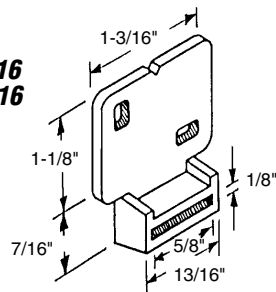
R-7240



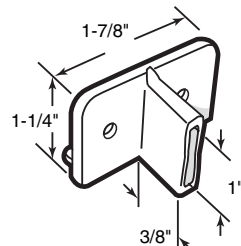
R-7265



**R-7126
CCSC-7216
CCBP-7216**



R-7232



R-7227

Drawer Track Back Plate

Contents: 1 left hand bracket; 1 right hand bracket; 2 sets of installation screws.

Description: White nylon; used on **side mounted** drawer track systems.

R-7240

Drawer Track Back Plate

Contents: 1 left hand bracket; 1 right hand bracket; 2 sets of installation screws.

Description: White nylon; 2-3/4" socket depth allows 2" of front to back adjustment of the rail; used on **side mounted** drawer track systems.

Note: Right side has a larger lip.

R-7265

Drawer Track Back Plate

Contents: 1 left hand bracket; 1 right hand bracket; 2 sets of installation screws.

Description: White nylon; socket depth allows for front to back adjustment of the rail; used on **side mounted** drawer track systems. **Note:** Old style (2-3/16" depth) replaced by deeper 3-11/16" by manufacturer.

R-7126 (Carded)

CCSC-7216 (100 bulk)

CCBP-7216 (50 bulk)

Drawer Track Front Plate

Contents: Carded- Front plate(s) with installation screws.

Bulk- Front plates only in display box.

Description: White nylon; supports front-end of drawer track; used on **rolled edge metal tracks** as shown in **R-7125**.

You may wish to stock these related parts: **R-7130, R-7133**.

R-7239

Drawer Track Front Plate

Contents: 2 front plates; 2 sets of installation screws.

Description: White nylon; supports front end of drawer track; designed for use on tracks with flat front tab.

R-7232

Drawer Track Front Plate

Contents: 2 front plates; 2 sets of installation screws.

Description: White nylon; supports front end of drawer track.

You may wish to stock these related parts: **R-7233, R-7234, R-7235**.

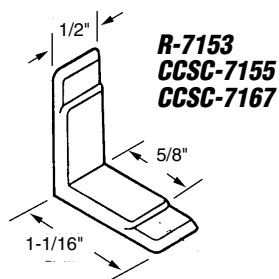
Drawer and Cabinet Hardware

R-7153 (Carded)
CCSC-7155 (Bulk)
CCSC-7167 (Poly-bagged)

Drawer Guide Side Saddles

Contents: Carded: 10 side saddles; 20 fasteners
 Bulk: 500 side saddles only in display box.
 Poly-bagged: 100 bags of 10 side saddles per bag in a display box.

Description: White polyethylene side saddles help to center drawer and restore smooth operation of track mounted drawers.

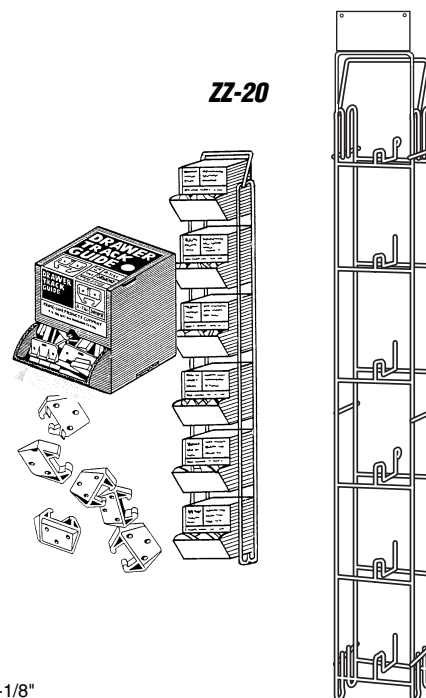


ZZ-20 Display Rack (Only)

Contents: 1 rack.

Description: Plated steel wire rack; used to display bulk guides in self-dispensing boxes; rack will accommodate (6) different products. Rack may be mounted to peg board or steel uprights; (pallet rack merchandising).

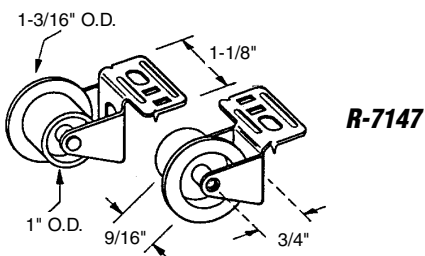
Call for
 Availability



R-7147 Drawer Guide Roller Assembly

Contents: 1 left hand roller; 1 right hand roller; 1 set of installation fasteners.

Description: Adjustable steel mounting bracket with nylon roller; provides alignment and superior glide action for track mounted drawers.



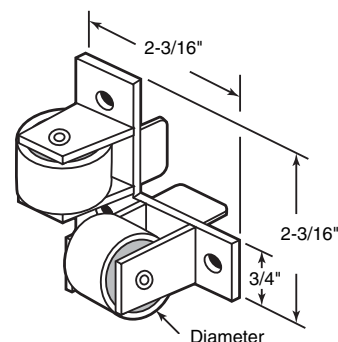
R-7218 (15/16" diameter rollers)
R-7219 (5/8" diameter rollers)

Drawer Guide Roller Assembly

Contents: 2 roller assemblies; 2 sets of installation screws.

Description: White nylon bracket and roller; side roller helps prevent drag; bottom roller allows drawer to slide easily.

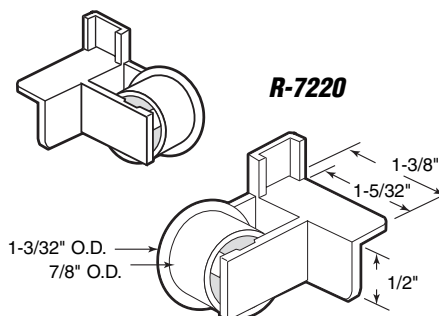
**R-7218
 R-7219**

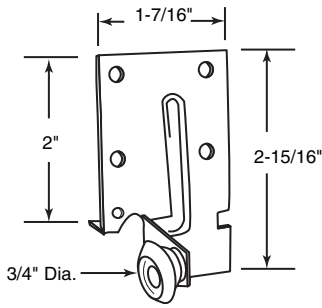


R-7220 Drawer Guide Roller Assembly

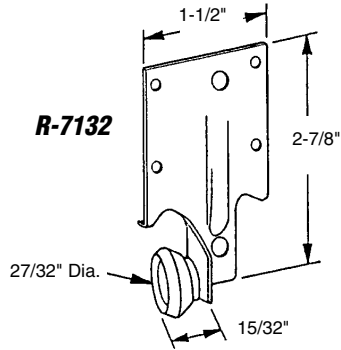
Contents: 1 left hand bracket; 1 right hand bracket; 1 set of installation fasteners.

Description: White nylon bracket and roller; helps to align and restore smooth operation of track mounted drawers.

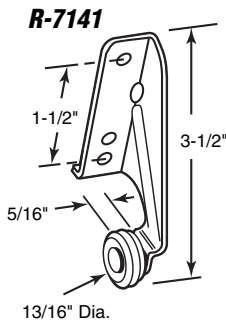




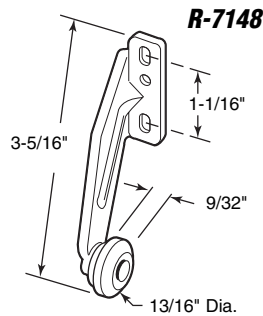
R-7124



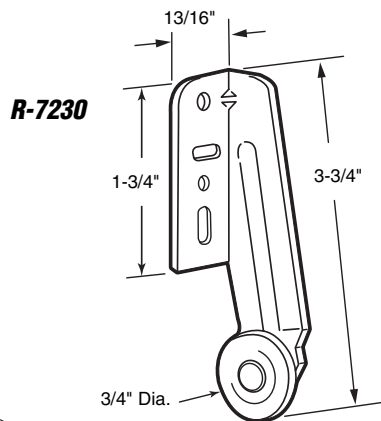
R-7132



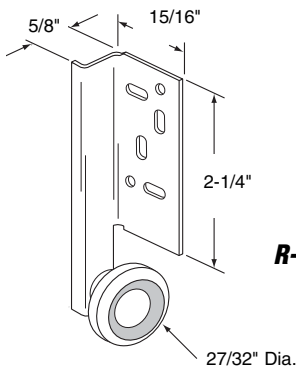
R-7141



R-7148



R-7230



R-7256

R-7124

Drawer Track Roller

Contents: 2 roller assemblies; 2 sets of installation screws.

Description: Steel bracket; convex nylon roller; mounts on rear of drawer; used on "old style" *Grace* drawer slide system.

R-7132

Drawer Track Roller

Contents: 2 roller assemblies; 2 sets of installation screws.

Description: Steel bracket; convex nylon roller; mounts on rear of drawer; used as center roller for monorail drawer slide systems.

R-7141 (Left hand)

R-7148 (Right hand)

Drawer Track Roller

Contents: 2 roller assemblies; 2 sets of installation screws.

Description: Steel bracket; convex nylon roller; mounts on rear of drawer; used as center roller for monorail drawer slide systems.

Note: Hand determined as viewed from rear of drawer.

R-7230

Drawer Track Roller

Contents: 2 roller assemblies; 2 sets of installation screws.

Description: Steel bracket; convex nylon roller; mounts on rear of drawer; used as center roller for monorail drawer slide systems.

R-7256

Drawer Track Roller

Contents: 2 roller assemblies; 2 sets of installation screws.

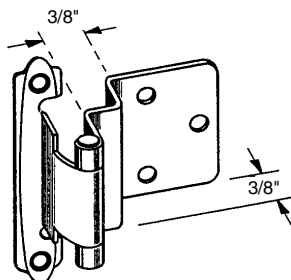
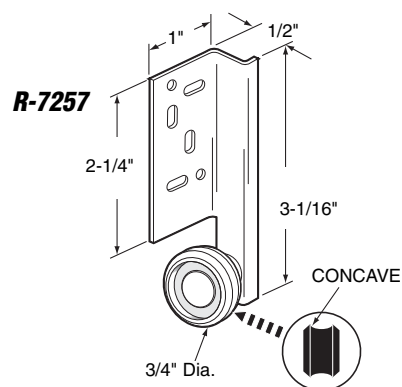
Description: Steel bracket; nylon roller; mounts on rear of drawer; used as center roller for monorail drawer slide systems.

R-7257

Drawer Track Roller

Contents: 2 roller assemblies; 2 sets of installation screws.

Description: Steel bracket; **concave nylon** roller; mounts on rear of drawer; used as center roller for monorail drawer slide systems.



CCEP-7203
CCEP-7134
CCEP-7204
CCEP-7205

CCEP-7203 (Brass finish)

CCEP-7134 (Antique brass finish)

CCEP-7204 (Chrome finish)

CCEP-7205 (White finish)

Cabinet Door Hinge (Self-closing)

Contents: 1 pair of hinges; 2 felt pads; 2 sets of installation screws.

Description: Semi-concealed **steel** hinge; spring loaded; used on **3/8" inset** cabinet doors.

Standard pack: 15 pairs (polybagged) in display box.

CCEP-7200 (Brass finish)

CCEP-7135 (Antique brass finish)

CCEP-7201 (Chrome finish)

CCEP-7202 (White finish)

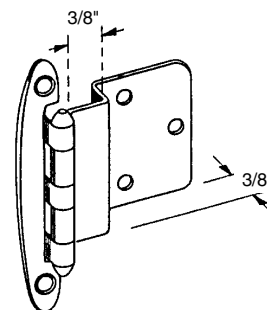
Cabinet Door Hinge (Non-self closing)

Contents: 1 pair of hinges; 2 felt pads; 2 sets of installation screws.

Description: Semi-concealed **steel** hinge; used on **3/8" inset** cabinet doors.

Standard pack: 20 pairs (polybagged) in display box.

CCEP-7200
CCEP-7135
CCEP-7201
CCEP-7202



CCEP-7206 (Brass finish)

CCEP-7136 (Antique brass finish)

CCEP-7207 (Chrome finish)

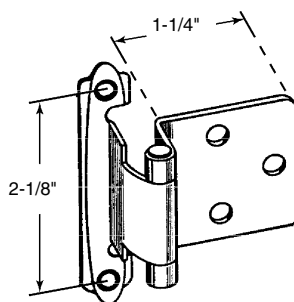
CCEP-7208 (White finish)

Cabinet Door Hinge (Self closing)

Contents: 1 pair of hinges; 2 felt pads; 2 sets of installation screws.

Description: Semi-concealed **steel** hinge; spring loaded; used on **overlay** cabinet doors.

Standard pack: 15 pairs (polybagged) in display box.



CCEP-7206
CCEP-7136
CCEP-7207
CCEP-7208

CCEP-7236 (Antique brass finish)

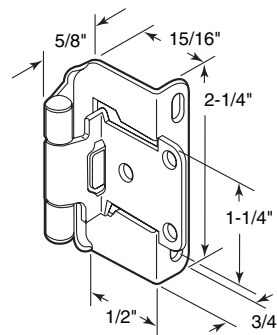
Cabinet Door Hinge (Self-closing)

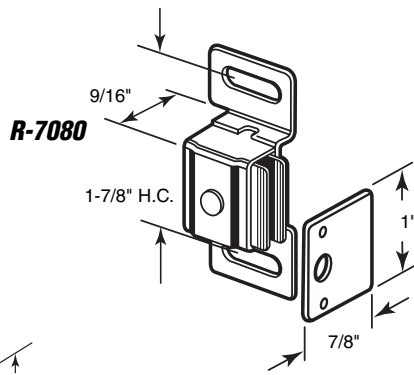
Contents: 1 pair of hinges; 2 felt pads; 2 sets of installation screws.

Description: Semi-concealed **steel** hinge; spring loaded; wrap around design; **vertically adjustable**; used on **overlay** doors.

Standard pack: 20 pairs (polybagged) in display box.

CCEP-7236





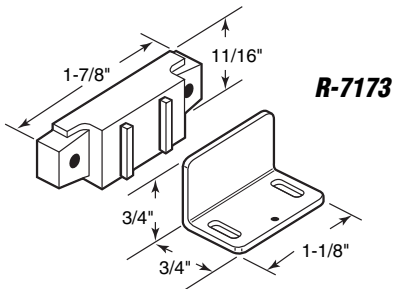
R-7080

R-7080

Magnetic Catch

Contents: 2 catches; 2 strike plates; 2 sets of installation screws.

Description: Zinc plated adjustable steel housing; steel strike plate; large magnet for extra holding power.



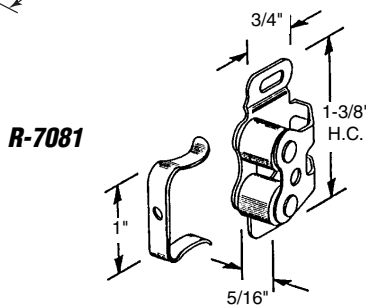
R-7173

R-7173

Magnetic Catch

Contents: 2 catches; 2 strike plates; 2 sets of installation screws.

Description: Heavy duty brown plastic housing; dual steel inserts; adjustable steel strike plate; frequently used in RV and mobile home cabinets.



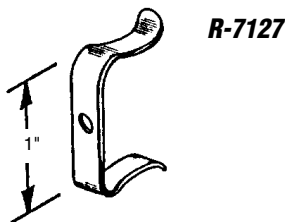
R-7081

R-7081

Dual Roller Catch

Contents: 3 catches; 3 clips; 3 sets of installation screws.

Description: Dual nylon rollers; plated steel housing and spring steel clip; used on cabinet, closet and compartment doors.



R-7127

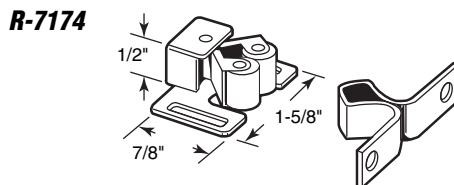
R-7127

Dual Roller Clip

Contents: 6 clips; 6 installation screws.

Description: Chrome plated spring steel clip.

Note: Replacement clip for Part No. R-7081.



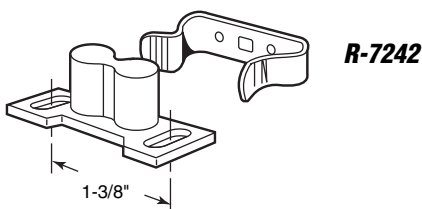
R-7174

R-7174 (Bronze finish)

Dual Roller Catch

Contents: 2 catches; 2 keepers; 2 sets of installation screws.

Description: Dual nylon rollers; adjustable steel housing; steel keeper; heavy duty spring loaded latching.



R-7242

R-7242

Friction Catch

Contents: 2 catches; 2 clips; 2 sets of installation screws.

Description: Double barrel white nylon catch; brass finish spring steel clip; adjustable; used on cabinet and compartment doors.

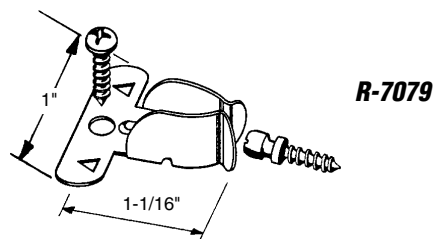
Call for
Availability

R-7079

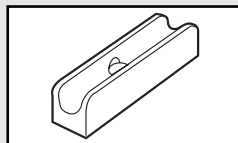
Friction Catch

Contents: 3 catches; 3 ball head screws; 3 installation screws.

Description: Chrome plated spring steel catch; used on cabinet and compartment doors.



R-7245 (1/4" wide x 1" long)
R-7246 (3/8" wide x 1-3/8" long)

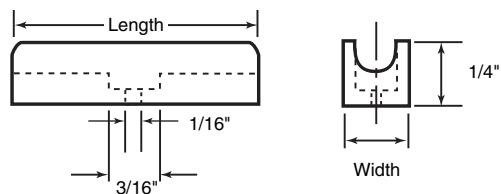


Door Glides

Contents: 2 glides.

Description: Nylon glides install on bottom of sliding cabinet doors; used in conjunction with plastic or wood track.

R-7245
R-7246

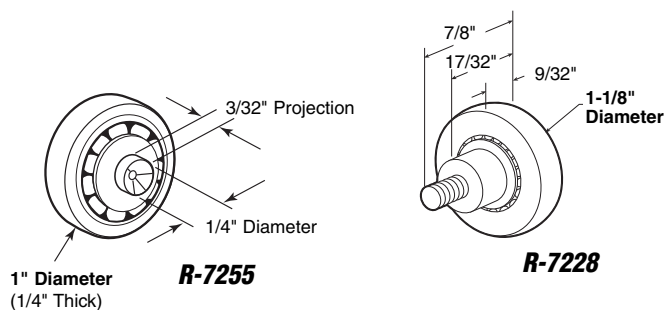


R-7228 (1/4" - 20 threaded steel axle)
R-7255 (Rivet style axle)

Drawer Slide Roller

Contents: 2 rollers.

Description: White nylon roller; steel ball bearing roller; replacement roller for metal drawer slide systems; frequently used on file cabinet drawer tracks.

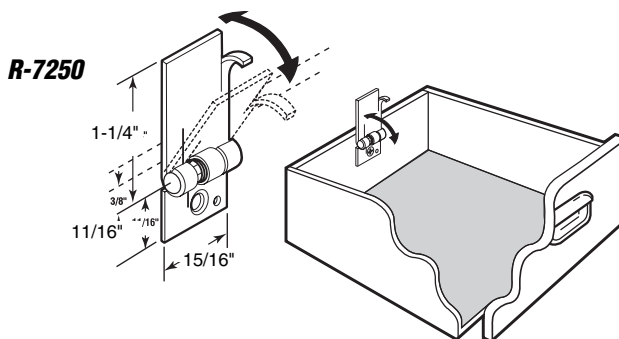


R-7250

Drawer Stop

Contents: 1 stop with installation screw and nail.

Description: Zinc plated steel hinge; spring loaded; prevents drawer from accidentally falling out of cabinet upon opening.

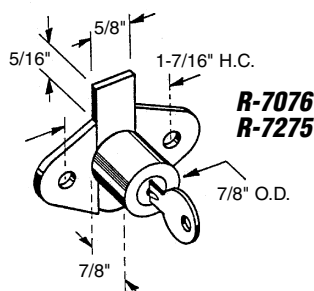


R-7076 (Brass finish)
R-7275 (Dull nickel finish)

Drawer & Cabinet Lock

Contents: 1 lock assembly; 2 keys; 1 set of installation screws.

Description: Diecast housing; keyed locking unit; requires a 7/8" hole for installation.



INDEX - Window & Door Security

Part No.	Page No.	Description	Package Quantity	Standard Pack
CCEP-4002 (Aluminum finish)	S-8	Twist-In Lock	1	50
CCEP-4003 (Black finish)	S-8	Twist-In Lock	1	50
CCEP-4011 (Zinc plated)	S-10	Pin Lock	1	100
CCEP-4016 (Brass finish)	S-12	Chain Door Guard	1	75
CCEP-4020 (Brass)	S-16	Door Viewer (180°)	1	100
CCEP-4089 (Brass finish)	S-17	Door Knocker	1	6
CCEP-4090 (Brass finish)	S-17	Door Knocker and Viewer	1	10
CCEP-4148 (Black finish)	S-10	Pin Lock	1	100
CCEP-4208 (3-1/2" length)	S-18	Safety Hasp	1	10
CCEP-4209 (4-1/2" length)	S-18	Safety Hasp	1	10
CCEP-4227 (Antique brass finish)	S-17	Door Knocker	1	6
CCEP-4228 (Antique brass finish)	S-17	Door Knocker and Viewer	1	10
CCEP-4234 (Brass finish)	S-17	Door Knocker and Viewer	1	6
CCEP-4235 (Antique brass finish)	S-17	Door Knocker and Viewer	1	6
CCEP-4271 (Flush)	S-19	Faucet Lock Box	1	3
CCEP-4272 (Extended)	S-19	Faucet Lock Box	1	3
CCEP-4273 (Free standing)	S-19	Faucet Lock Box	1	3
CCEP-4290 (2-1/2" length)	S-18	Safety Hasp	1	20
CCEP-4354 (White finish)	S-8	Twist-In Lock	1	50
CCEP-4411 (Chrome finish)	S-17	Door Knocker and Viewer	1	10
CCEP-4412 (Chrome finish)	S-17	Door Knocker	1	6
EP-4269 (Plastic tag)	S-18	Key Tags	20	1
EP-4270 (Paper tag with metal rim)	S-18	Key Tags	20	1
S-4000 (Mill)	S-1	Sash Lock	2	6
S-4001 (Black)	S-1	Sash Lock	2	6
S-4002 (Aluminum finish)	S-8	Twist-In Lock	1	6
S-4003 (Black finish)	S-8	Twist-In Lock	1	6
S-4004 (Aluminum finish)	S-8	Push-In Keyed Lock	1	6
S-4005 (Black finish)	S-8	Push-In Keyed Lock	1	6
S-4006 (Aluminum finish)	S-8	Slide Bolt Lock	1	6
S-4007 (Bronze finish)	S-8	Slide Bolt Lock	1	6
S-4008 (Aluminum finish)	S-9	Push-Bolt Lock	1	6
S-4009 (Aluminum finish)	S-8	Push/Pull Lock	1	6
S-4011 (Zinc plated)	S-10	Pin Lock with Retaining Ring	1	6
S-4012	S-5	"Win-Dor" Pop-Up Lock	1	6
S-4013 (Clear Anodized)	S-11	Security Bar Lock	1	10
S-4014 (Aluminum finish)	S-2	Snap-on Vent Lock	2	6
S-4015 (Brass finish)	S-15	Flip Door Lock	1	6
S-4016 (Brass finish)	S-12	Chain Door Guard	1	6
S-4018 (Brass finish)	S-4	Wood Window Flip Lock	2	6
S-4019 (Polished brass)	S-16	Door Viewer (160°)	1	6
S-4020 (Brass)	S-16	Door Viewer	1	6
S-4021 (Polished brass)	S-16	Door Viewer (160°)	1	6
S-4023 (Aluminum finish)	S-9	Step-On Lock	1	6
S-4024 (Black finish)	S-2	Snap-on Vent Lock	2	6
S-4025 (Black finish)	S-9	Push-Bolt Lock	1	6
S-4026 (Aluminum finish)	S-4	"Push-Bolt" Lock	1	6
S-4027 (Black finish)	S-4	"Push-Bolt" Lock	1	6
S-4028	S-11	"Anti-Lift" Patio Door Bumpers	9	6
S-4029 (Black finish)	S-8	Push/Pull Lock	1	6
S-4030 (Aluminum finish)	S-7	Double Thumbscrew Lock	1	6
S-4031 (Black finish)	S-7	Double Thumbscrew Lock	1	6
S-4032 (Aluminum finish)	S-1	Sash Locks (Tamper-proof)	2	6
S-4033 (Black finish)	S-1	Sash Locks (Tamper-proof)	2	6
S-4034 (Aluminum finish)	S-7	Tamperproof Lock	1	6

INDEX - Window & Door Security

Part No.	Page No.	Description	Package Quantity	Standard Pack
S-4035 (Black finish)	S-7	Tamperproof Lock	1	6
S-4036 (Mill)	S-1	Sash Lock	2	6
S-4037 (Aluminum finish)	S-1	Sash Lock	1	100
S-4038 (Brass finish)	S-4	Wood Window Vent Lock	2	6
S-4041 (Black finish)	S-9	Step-On Lock	1	6
S-4042 (Polished brass)	S-12	Chain Door Guard	1	6
S-4046 (Aluminum finish)	S-9	Step-On Keyed Lock	1	6
S-4047 (Brass finish)	S-3	Keyed Sash Lock	1	6
S-4048 (1/4" bolt)	S-20	Deadbolt Locks	1	6
S-4049 (5/16" bolt)	S-20	Deadbolt Locks	1	6
S-4051 (Zinc)	S-20	Pin Tumbler Locks (XL style)	1	6
S-4052 (Chrome finish)	S-13	Keyed Deadbolt Lock	1	6
S-4053 (Zinc)	S-20	Pin Tumbler Locks (XL style)	1	6
S-4054 (Brass)	S-20	Pin Tumbler Locks (XL style)	1	6
S-4055 (Brass)	S-20	Pin Tumbler Locks (XL style)	1	6
S-4056 (Aluminum finish)	S-3	Keyed Lock	1	6
S-4057 (Chrome finish)	S-19	Showcase Window Key Lock	1	6
S-4059 (Brass finish)	S-14	Swing Bar Lock	1	6
S-4060 (Aluminum finish - keyed)	S-14	Deadbolt Loop Lock	1	6
S-4061 (Aluminum finish)	S-14	Deadbolt Loop Lock	1	6
S-4062 (Aluminum finish)	S-11	Security Latch	1	6
S-4063 (Black finish)	S-11	Security Latch	1	6
S-4064 (Aluminum finish)	S-2	Cam Action Lock	2	6
S-4065 (Aluminum finish)	S-4	"Nite-Lock" Pin	1	6
S-4066 (Chrome finish)	S-10	Window Pin Lock	1	6
S-4067 (Aluminum finish)	S-5	Slip-Proof Lock Pin	1	6
S-4070 (4" glass)	S-6	Louver Window Security Clip	20	6
S-4071 (Aluminum finish)	S-5	Security Lock Pin	1	6
S-4072 (4-1/2" glass)	S-6	Louver Window Security Clip	20	6
S-4075 (Black finish)	S-1	Sash Lock	1	100
S-4076 (Black)	S-1	Sash Lock	2	6
S-4077 (Aluminum finish)	S-8	Push/Pull Lock	1	6
S-4086 (1/2" bolt)	S-20	Deadbolt Locks	1	6
S-4091 (American Device)	S-23	Wafer Lock	1	6
S-4092 (Auth)	S-23	Wafer Lock	1	6
S-4093 (Bommer)	S-23	Wafer Lock	1	6
S-4094 (Florence)	S-23	Wafer Lock	1	6
S-4095 (Miami-Carey)	S-23	Wafer Lock	1	6
S-4098 (Brass finish)	S-13	Keyed Deadbolt Lock	1	6
S-4099 (Yellow zinc finish)	S-15	Mini Flip-It Lock	1	6
S-4103 (Brass finish)	S-14	Rim Cylinder Lock (Kwikset keyway)	1	6
S-4120 (Antique brass finish)	S-14	Swing Bar Lock	1	6
S-4121 (Chrome finish)	S-14	Swing Bar Lock	1	6
S-4122 (Brushed chrome finish)	S-14	Swing Bar Lock	1	6
S-4124 (Clear)	S-10	Glass Surface Lock	2	6
S-4125	S-21	Pin Tumbler Lock	1	6
S-4126	S-21	Pin Tumbler Lock	1	6
S-4127	S-21	Pin Tumbler Lock	1	6
S-4128	S-21	Pin Tumbler Lock	1	6
S-4129	S-21	Pin Tumbler Lock	1	6
S-4130	S-21	Pin Tumbler Lock	1	6
S-4131	S-21	Pin Tumbler Lock	1	6
S-4132	S-21	Pin Tumbler Lock	1	6
S-4133	S-21	Pin Tumbler Lock	1	6
S-4134	S-21	Pin Tumbler Lock	1	6

INDEX - Window & Door Security

Part No.	Page No.	Description	Package Quantity	Standard Pack
S-4136	S-21	Pin Tumbler Lock	1	6
S-4137	S-21	Pin Tumbler Lock	1	6
S-4138	S-21	Pin Tumbler Lock	1	6
S-4139 (3 cam assortment)	S-22	5-Pin Tumbler Lock	1	6
S-4140 (5 cam assortment)	S-22	5-Pin Tumbler Lock	1	6
S-4145 (Chrome finish)	S-13	Keyed Surface Lock	1	6
S-4148 (Black finish)	S-10	Pin Lock with Retaining Ring	1	6
S-4152 (Chrome finish)	S-12	Chain Door Guard	1	6
S-4153 (Brushed Aluminum)	S-16	Door Viewer	1	6
S-4154 (Bronze)	S-11	Security Bar Lock	1	10
S-4175 (Brass finish)	S-3	Wood Sash Pins	8	6
S-4177 (Polished brass)	S-12	Chain Lock Deadbolt (Heavy duty)	1	6
S-4178 (Polished brass - U.L. Listed)	S-16	Door Viewer (160°)	1	6
S-4179 (Brass)	S-16	Door Viewer	1	6
S-4180	S-18	Lockout Device	1	1
S-4182 (Polished brass finish)	S-14	Swing Bar Lock	1	10
S-4183 (Polished brass)	S-15	Swing Bar Lock with Edge Guard	1	6
S-4184 (Satin bronze finish)	S-15	Swing Bar Lock with Edge Guard	1	6
S-4185 (Chrome)	S-16	Door Viewer	1	6
S-4186 (Mill)	S-2	Sash Lock	2	6
S-4187 (Black)	S-2	Sash Lock	2	6
S-4198 (White finish)	S-1	Sash Lock	1	100
S-4200 (Chrome)	S-16	Door Viewer (180°)	1	6
S-4210 (Aluminum finish)	S-9	Push-In Keyed Lock	1	6
S-4211 (Black finish)	S-9	Push-In Keyed Lock	1	6
S-4212 (Clear lucite)	S-15	Edge Guard	10	6
S-4213 (Brass finish)	S-15	Edge Guard	5	1
S-4214 (Antique brass finish)	S-15	Edge Guard	5	1
S-4215 (Chrome finish)	S-15	Edge Guard	5	1
S-4220 (White)	S-11	Security Bar Lock	1	10
S-4221 (Clear Anodized)	S-11	Security Bar Lock	1	10
S-4222 (Bronze)	S-11	Security Bar Lock	1	10
S-4223 (White)	S-11	Security Bar Lock	1	10
S-4224 (Clear Anodized)	S-11	Security Bar Lock	1	10
S-4225 (Bronze)	S-11	Security Bar Lock	1	10
S-4226 (White)	S-11	Security Bar Lock	1	10
S-4230 (Brass)	S-20	Pin Tumbler Locks (XL style)	1	6
S-4231 (Brass)	S-20	Pin Tumbler Locks (XL style)	1	6
S-4232 (Zinc)	S-20	Pin Tumbler Locks (XL style)	1	6
S-4233 (Zinc)	S-20	Pin Tumbler Locks (XL style)	1	6
S-4236 (Chrome plated - 2-1/2" length)	S-18	Keyed Hasp	1	6
S-4244 (Brass)	S-16	Door Viewer (200°)	1	6
S-4256 (Chrome finish)	S-19	Showcase Plunger Lock	1	6
S-4257 (Antique brass)	S-12	Chain Door Guard	1	6
S-4275 (Brass finish)	S-12	Chain Door Guard (Keyed)	1	6
S-4276 (Antique brass finish)	S-12	Chain Door Guard (Keyed)	1	6
S-4277 (Brass finish)	S-15	Anti-Jimmy Plate	2	6
S-4297	S-21	Pin Tumbler Lock (Nickel plated)	1	6
S-4298 (Chrome plated)	S-12	Chain Door Guard	1	6
S-4299	S-21	Pin Tumbler Lock (Nickel plated)	1	6
S-4300 (Cutler-Federal)	S-22	5-Pin Tumbler Locks (With dust covers)	1	6
S-4301 (Florence)	S-22	5-Pin Tumbler Locks (With dust covers)	1	6
S-4302 (Auth Electric)	S-22	5-Pin Tumbler Locks (With dust covers)	1	6
S-4303 (Bommer)	S-22	5-Pin Tumbler Locks (With dust covers)	1	6
S-4309	S-5	"Mini" Pop-Up Lock	1	6

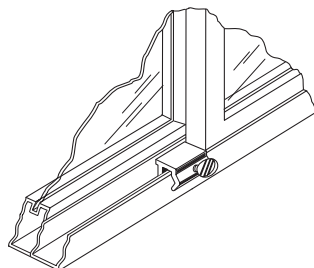
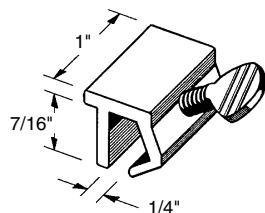
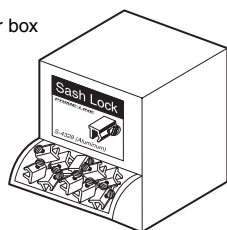
INDEX - Window & Door Security

Part No.	Page No.	Description	Package Quantity	Standard Pack
S-4328 (Mill)	S-1	Sash Lock	1	200
S-4329 (Black)	S-1	Sash Lock	1	200
S-4330 (Brass)	S-16	Door Viewer	1	6
S-4332 (Aluminum)	S-7	Security Lock	1	6
S-4333 (5 cam assortment)	S-23	Wafer Lock	1	6
S-4334 (Mill)	S-1	Sash Lock	1	200
S-4335 (Black)	S-1	Sash Lock	1	200
S-4336 (White)	S-1	Sash Lock	2	6
S-4337 (Clear Anodized)	S-11	Security Bar Lock	1	10
S-4338 (Bronze)	S-11	Security Bar Lock	1	10
S-4339 (White)	S-11	Security Bar Lock	1	10
S-4340 (White)	S-1	Sash Lock	2	6
S-4348 (Mill)	S-1	Sash Lock	4	6
S-4349 (White)	S-5	Latch	1	6
S-4350 (White)	S-6	Latch	1	6
S-4351 (Brass finish)	S-12	Chain Door Guard (With bolt)	1	6
S-4353 (Brushed chrome finish)	S-15	Swing Bar Lock with Edge Guard	1	6
S-4354 (White finish)	S-8	Twist-In Lock	1	6
S-4355 (White finish)	S-9	Step-On Lock	1	6
S-4356 (White finish)	S-8	Push/Pull Lock	1	6
S-4357 (White finish)	S-8	Push/Pull Lock	1	6
S-4358 (White finish)	S-3	Keyed Sash Lock	1	6
S-4359 (White finish)	S-3	Slim-line Keyed Sash Lock	1	6
S-4360 (White finish)	S-8	Push-In Keyed Lock	1	6
S-4365 (Satin chrome finish - U.L. Listed)	S-16	Door Viewer (160°)	1	6
S-4366 (Satin Chrome)	S-16	Door Viewer	1	6
S-4367 (White)	S-1	Sash Lock	1	200
S-4370 (White finish)	S-7	Double Thumbscrew Lock	1	6
S-4371 (White finish)	S-1	Sash Locks (Tamper-proof)	2	6
S-4372 (White finish)	S-7	Tamperproof Lock	1	6
S-4373 (Aluminum finish)	S-2	Thumbscrew Bar Lock	1	6
S-4374 (Black finish)	S-2	Thumbscrew Bar Lock	1	6
S-4375 (4" glass)	S-6	Jalousie Window Security Clip	6	6
S-4376 (13/16" width)	S-10	Loop Lock	1	6
S-4378 (1-7/16" width)	S-10	Loop Lock	1	6
S-4385 (4" length - polished brass)	S-13	Surface Bolt	1	6
S-4386 (6" length - polished brass)	S-13	Surface Bolt	1	6
S-4388 (Aluminum finish)	S-9	Push-Pull Lock	1	6
S-4389 (Black finish)	S-9	Push-Pull Lock	1	6
S-4390 (Chrome finish)	S-12	Chain Door Guard (Keyed)	1	6
S-4396 (3 cam assortment)	S-22	5-Pin Tumbler Lock	1	6
S-4397 (Aluminum finish)	S-2	No-mar Lock	2	6
S-4398 (Black finish)	S-2	No-mar Lock	2	6
S-4399 (White finish)	S-2	No-mar Lock	2	6
S-4403 (Black finish)	S-4	Security Lock Pin	1	6
S-4407 (Black finish)	S-5	Slip-Proof Lock Pin	1	6
S-4408 (Antique nickel finish)	S-10	Window Pin Lock	1	6
S-4413 (White finish)	S-15	Flip Door Lock	1	6
S-4414 (White finish)	S-8	Slide Bolt Lock	1	6
S-4415 (White finish)	S-3	Keyed Lock	1	6
S-4416 (White finish)	S-2	Cam Action Lock	2	6
S-4417 (Left hand)	S-11	Curved Loop Lock	1	6
S-4418 (Right hand)	S-11	Curved Loop Lock	1	6
S-4421 (Brass finish)	S-3	Keyed Sash Lock	1	6
S-4422 (White finish)	S-2	Snap-on Vent Lock	2	6

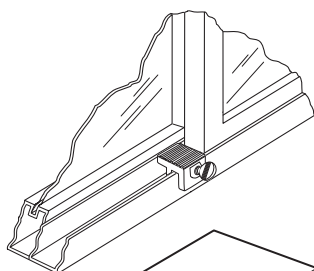
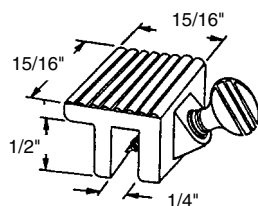
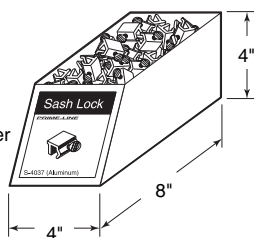
INDEX - Window & Door Security

Part No.	Page No.	Description	Package Quantity	Standard Pack
S-4423 (White finish)	S-2	Thumbscrew Bar Lock	1	6
S-4424 (White finish)	S-14	Swing Bar Lock	1	6
S-4425 (Black finish)	S-9	Step-On Keyed Lock	1	6
S-4426 (White)	S-9	Step-On Keyed Lock	1	6
S-4429 (Satin brass finish)	S-14	Swing Bar Lock	1	6
S-4430 (Satin brass finish)	S-15	Swing Bar Lock with Edge Guard	1	6
S-4449 (White finish)	S-3	Slim-line Keyed Sash Lock	1	6
S-4453 (Brass)	S-19	Drawer and Cabinet Lock	1	6
S-4454 (Chrome)	S-19	Drawer and Cabinet Lock	1	6
S-4455 (Brass)	S-19	Drawer and Cabinet Lock	1	6
S-4456 (Chrome)	S-19	Drawer and Cabinet Lock	1	6
S-4457 (White)	S-1	Sash Lock	4	6
S-4458 (Black)	S-1	Sash Lock	4	6
S-4467	S-6	Anti-Liftout Blocks (Diecast)	2	6
S-4468 (Chrome)	S-19	Drawer and Cabinet Lock	1	6
S-4469 (Brass)	S-19	Drawer and Cabinet Lock	1	6
S-4470 (White)	S-1	Sash Lock	1	200
S-4492 (Mill)	S-1	Sash Lock	2	75
S-4493 (Black)	S-1	Sash Lock	2	75
S-4494 (White)	S-1	Sash Lock	2	75
S-4495 (Mill)	S-1	Sash Lock	2	75
S-4496 (Black)	S-1	Sash Lock	2	75
S-4497 (White)	S-1	Sash Lock	2	75
S-4498 (White)	S-2	Sash Lock	1	6
S-4499 (Florence)	S-21	Pin Tumbler Lock (Nickel plated)	1	6
S-4511 (Satin brass finish)	S-15	Edge Guard	5	1
S-4512 (Chrome finish)	S-15	Edge Guard	5	1
U-9846 (1-1/8")	S-10	Loop Lock	1	6
U-9847 (2-1/8")	S-10	Loop Lock	1	6
U-9915 (Gold finish)	S-17	Door Viewer	1	6
U-9916 (Bronze finish)	S-17	Door Viewer	1	6
U-9917 (White finish)	S-17	Door Viewer	1	6
U-9918 (Gray finish)	S-17	Door Viewer	1	6
U-9919 (White finish)	S-10	Keyed Bolt Lock	1	6
U-9920 (Aluminum finish)	S-11	Security Bar Lock	1	10
U-9921 (White finish)	S-11	Security Bar Lock	1	10
U-9951 (Chrome plated - 4" length)	S-18	Keyed Hasp	1	6
U-9967 (Brass finish)	S-13	Night Latch & Locking Cylinder	1	5
U-9968 (Polished brass finish)	S-13	Night Latch & Locking Cylinder	1	5
U-9969 (White finish)	S-13	Night Latch & Locking Cylinder	1	5
U-9970 (Brass finish)	S-13	Jimmy-Proof Deadlock (Single Cylinder)	1	5
U-9971 (White finish)	S-13	Jimmy-Proof Deadlock (Single Cylinder)	1	5
U-9972 (Brass finish)	S-14	Jimmy-Proof Deadlock (Double Cylinder)	1	5
U-9973 (White finish)	S-14	Jimmy-Proof Deadlock (Double Cylinder)	1	5
U-9974 (Polished brass & black finish)	S-14	Jimmy-Proof Deadlock (Double Cylinder)	1	5
U-9997 (Aluminum finish)	S-10	Keyed Bolt Lock	1	6
U-10079 (Vacuum plated - brass)	S-17	Door Viewer (Giant Screen)	1	6
U-10080 (Vacuum plated - chrome)	S-17	Door Viewer (Giant Screen)	1	6

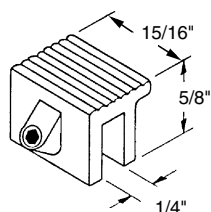
Dispenser box



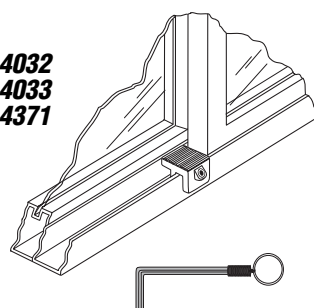
Cut-case merchandiser



Dispenser box



S-4032
S-4033
S-4371



Sash Locks

Finish (Part Number)			Qty.	Qty.
Mill	Black	White	Carded	Dispenser Box
S-4036	S-4076	S-4336	2	—
S-4348	S-4458	S-4457	4	—
S-4328	S-4329	S-4367	—	200/bulk
S-4495	S-4496	S-4497	2/bag	75 bags

Description: Extruded aluminum housing; steel thumbscrew; securely locks window in closed or ventilating position; easy to install.

S-4037 (Aluminum finish)

S-4075 (Black finish)

S-4198 (White finish)

Sash Locks

Contents: 100 locks bulk in a cut-case box.

Description: Extruded aluminum housing; steel thumbscrew; securely locks window in closed or ventilating position; easy to install.

Sash Locks

Finish (Part Number)			Qty.	Qty.
Mill	Black	White	Carded	Dispenser Box
S-4000	S-4001	S-4340	2	—
S-4334	S-4335	S-4470	—	200/bulk
S-4492	S-4493	S-4494	2/bag	75 bags

Description: Heavy duty zinc diecast housing with steel thumbscrew; securely locks window in closed or ventilating position; easy to install.

S-4032 (Aluminum finish)

S-4033 (Black finish)

S-4371 (White finish)

Sash Locks (Tamper-proof)

Contents: 2 locks.

Description: Heavy duty zinc diecast housing with tamperproof Allen head security screw and wrench; securely locks window in closed or ventilating position; prevents accidental opening by children; easy to install.

S-4186 (Aluminum finish)

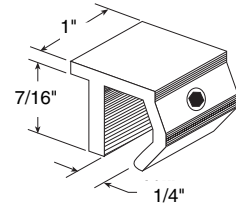
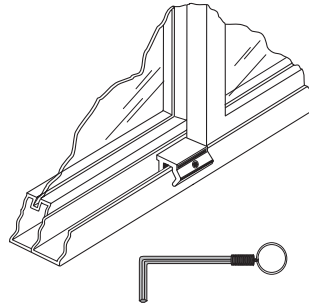
S-4187 (Black finish)

S-4498 (White finish)

Sash Lock

Contents: 2 locks.

Description: Extruded aluminum housing with tamperproof Allen head security screw and wrench; securely locks window in closed or ventilating position; prevents accidental opening by children; easy to install.



S-4397 (Aluminum finish)

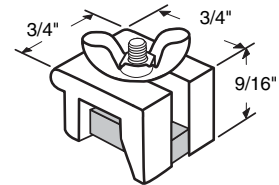
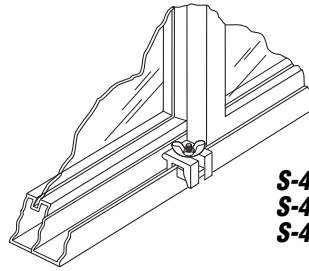
S-4398 (Black finish)

S-4399 (White finish)

No-mar Lock

Contents: 2 locks.

Description: Extruded aluminum with no-mar vinyl insert to protect track flange from scratching; fits wide and narrow type tracks; securely locks window in closed or ventilating position; easy to install.



S-4397
S-4398
S-4399

S-4373 (Aluminum finish)

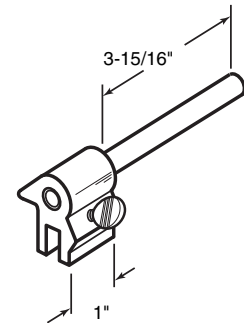
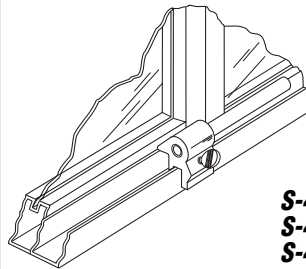
S-4374 (Black finish)

S-4423 (White finish)

Thumbscrew Bar Lock

Contents: 1 lock.

Description: Extruded aluminum; with reversible anti-lift out bar; securely locks window in closed or ventilating position; easy to install.



S-4373
S-4374
S-4423

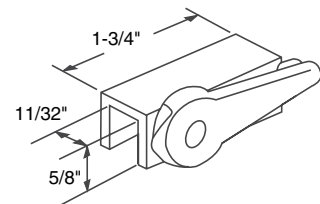
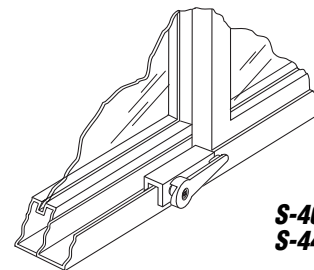
S-4064 (Aluminum finish)

S-4416 (White finish)

Cam Action Lock

Contents: 2 locks.

Description: Extruded aluminum housing with cam action lock; securely locks window in closed or ventilating position; no tools needed to install; excellent added security when staying in a hotel or motel.



S-4064
S-4416

S-4014 (Aluminum finish)

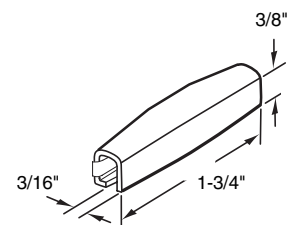
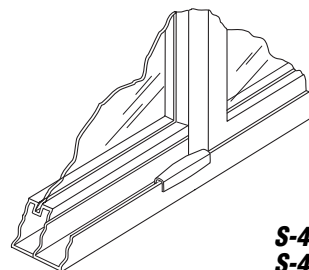
S-4024 (Black finish)

S-4422 (White finish)

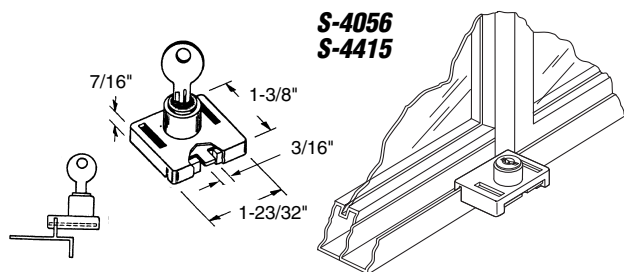
Snap-on Vent Lock

Contents: 2 locks.

Description: Plated and painted steel lock housing; unique "snap-on" device; no tools required; excellent for ventilated locking.



S-4014
S-4024
S-4422



S-4056 (Aluminum finish)
S-4415 (White finish)

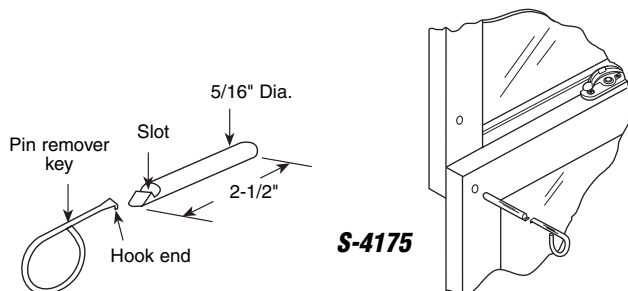
S-4056 (Aluminum finish)

S-4415 (White finish)

Keyed Lock

Contents: 1 lock & 2 keys.

Description: Painted diecast housing; securely locks window in closed or ventilating position; easy to install.



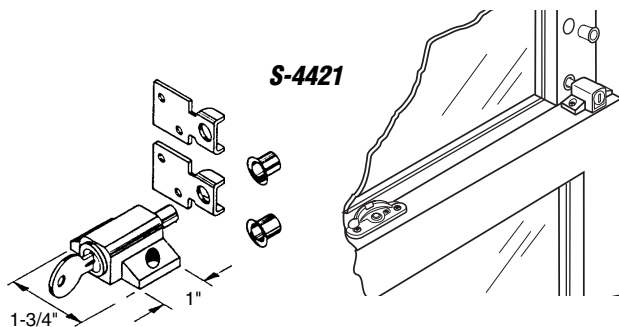
S-4175

S-4175 (Brass finish)

Wood Sash Pins

Contents: 8 pins & 4 keys.

Description: Plated steel pins lock window in closed or ventilating position; pin removal key is needed to unlock; recommended for wood sash; easy to install.



S-4421

S-4421 (Brass finish)

Keyed Sash Lock

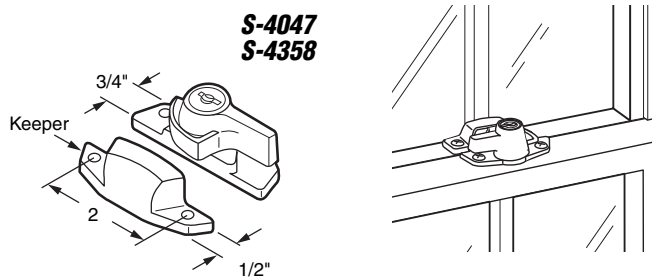
Contents: 1 lock with 2 strikes; 2 ferrules; 2 keys & installation screws.

Description: Painted or plated housing; hardened steel bolt provides push button locking in closed or ventilating position; unlocks only with key; heavy duty diecast construction; recommended for wood sash; easy to install.

Note: S-4004 (Aluminum finish)

S-4005 (Black finish)

S-4360 (White finish)



S-4047
S-4358

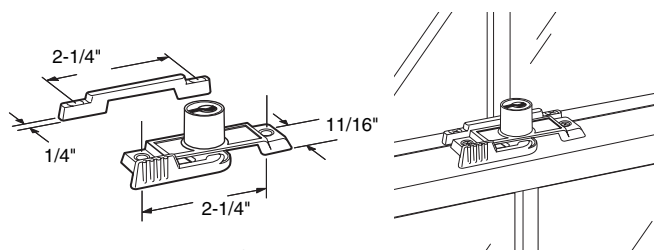
S-4047 (Brass finish)

S-4358 (White finish)

Keyed Sash Lock

Contents: 1 latch assembly; 1 keeper; 2 keys & installation screws.

Description: Plated or painted diecast sash lock and keeper; for aluminum, vinyl or wood double hung windows; unlocks only with key.



S-4449
S-4359

S-4449 (Brass finish)

S-4359 (White finish)

Slim-line Keyed Sash Lock

Contents: 1 lock and keeper; 2 keys & installation screws.

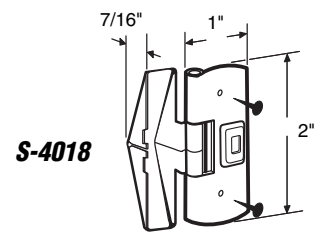
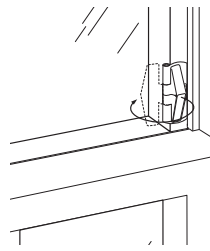
Description: Plated or painted diecast sash lock and keeper; readily adapts to narrow styles; key locks for additional security.

S-4018 (Brass finish)

Wood Window Flip Lock

Contents: 2 locks & installation fasteners.

Description: Flip lock mounts on vertical track; stops window in vent position; wedge flips out of the way to allow opening; **plated steel** lock assembly.

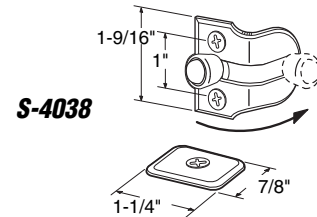
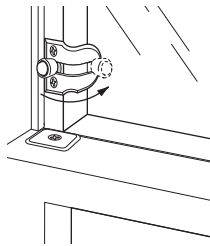


S-4038 (Brass finish)

Wood Window Vent Lock

Contents: 2 lock assemblies; 2 strikeplates & installation screws.

Description: **Brass plated steel** sash locks mount onto the edge of the upper window; sliding stud stops opening at a desired location; allows ventilation but prevents entry; easy to install.



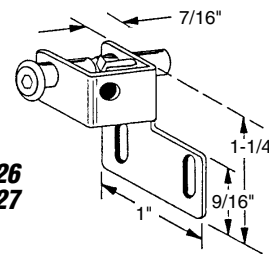
S-4026 (Aluminum finish)

S-4027 (Black finish)

"Push-Bolt" Lock

Contents: 1 lock; 2 installation screws.

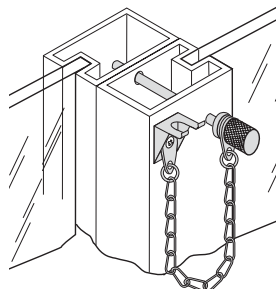
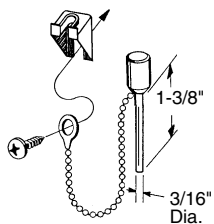
Description: Install on bottom or side rail or horizontal or vertical sliding aluminum windows; **stamped steel** housing with **hardened steel bolt**; easy to install.



Some items in this section are also available in our new Defender Security Line. This new, distinctively packaged, line is ideally suited for "stand-alone" merchandising

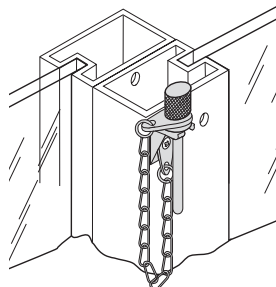
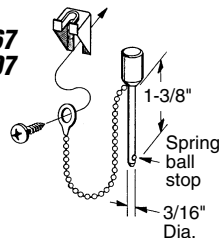


S-4065
S-4403



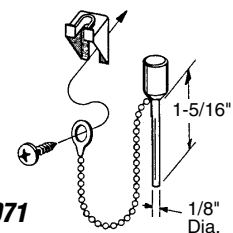
Locked

S-4067
S-4407



Unlocked

S-4071



S-4065 (Aluminum finish)

S-4403 (Black finish)

Security Lock Pin

Contents: 1 pin with chain; 1 holder; 1 installation screw.

Description: Case hardened steel pin installs thru moving panel and fixed rail; helps prevent prying or lifting of window; easy to install; fits most windows.

S-4067 (Aluminum finish)

S-4407 (Black finish)

Slip-Proof Lock Pin

Contents: 1 pin with chain; 1 holder; 1 installation screw.

Description: Case hardened steel pin; spring loaded detent ball on end, helps prevent pin from being jarred out of place.

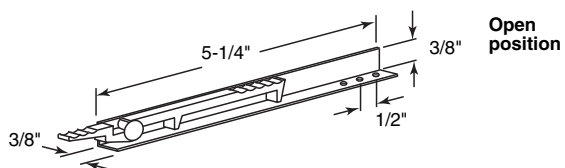
S-4071 (Aluminum finish)

Security Lock Pin

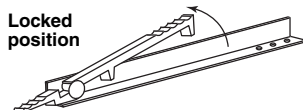
Contents: 1 pin with chain; 1 holder; 1 installation screw.

Description: Case hardened steel pin features a 1/8" pin shaft; will fit casement locking handles and narrow rail windows.

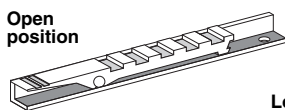
You may wish to stock these related parts: **S-4011**, **S-4065**.



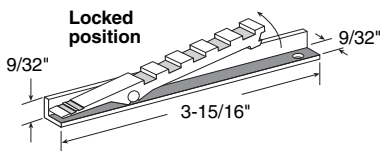
S-4012



Open position



S-4309



S-4012

"Win-Dor" Pop-Up Lock

Contents: 1 lock; 1 set of installation screws.

Description: Stamped aluminum lock and housing mounts into top or bottom track channel; requires only 3/8" clearance; provides hidden security.

You may wish to stock these related parts: **S-4028**.

S-4309

"Mini" Pop-Up Lock

Contents: 1 lock; 1 set of installation screws.

Description: Extruded aluminum lock and housing mounts into top or bottom channel to provide security.

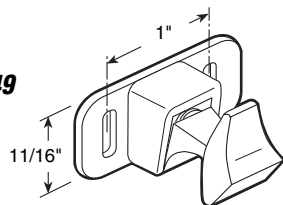
S-4349 (White)

Latch

Contents: 1 latch; 2 installation screws.

Description: Plastic latch assembly; spring loaded; for horizontal sliding windows.

S-4349

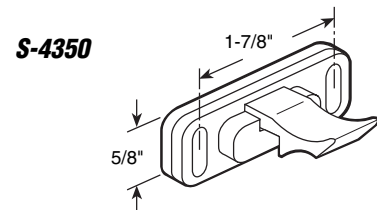


S-4350 (White)

Latch

Contents: 1 latch; 2 installation screws.

Description: Nylon latch assembly; spring loaded; for horizontal sliding windows.

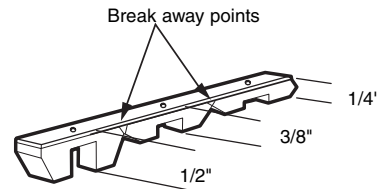


S-4467

Anti-Liftout Blocks (Diecast)

Contents: 2 break-off bars per package with screws.

Description: Prevents liftout of sliding panels when in either the locked or ventilating position; unique stepdown design to provide thickness desired; locate correct size blocks to underside of header and use drill-point screws to install.



S-4467

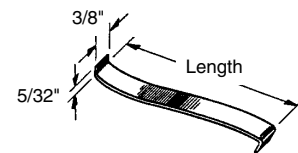
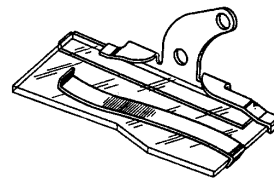
S-4070 (4" glass - 3-1/16" long)

S-4072 (4-1/2" glass - 3-7/16" long)

Louver Window Security Clip

Contents: 20 clips.

Description: High tension spring steel clips help prevent removal of glass; no tools required; simply slip under glass as shown; 2 sizes available; fits *International* louvre strip hardware.



**S-4070
S-4072**

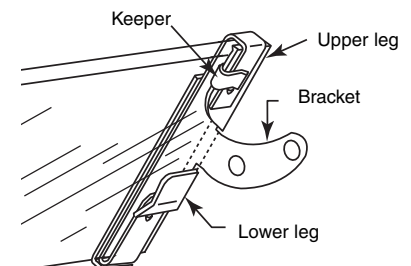
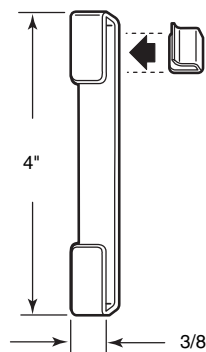
S-4375 (4" glass)

Jalousie Window Security Clip

Contents: 6 clips; 6 keepers.

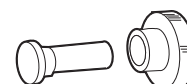
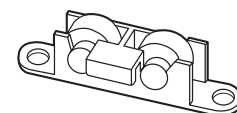
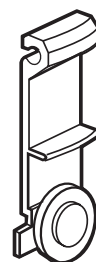
Description: Durable stainless steel two-piece clips prevent removal of glass louvers from outside, and discourage forced entry; easy installation; ideal for coastal areas.

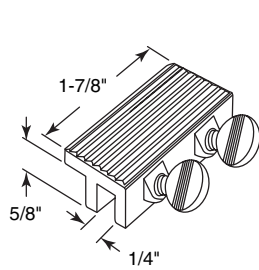
NEW: Stainless Steel Clip



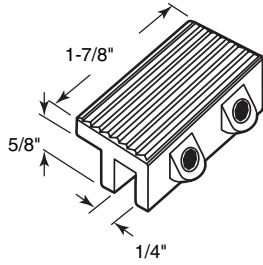
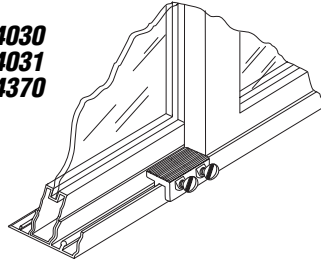
S-4375

**See Our Selection
of Sliding Window Rollers**

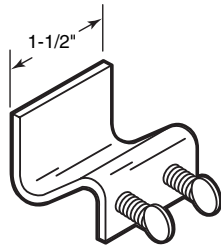
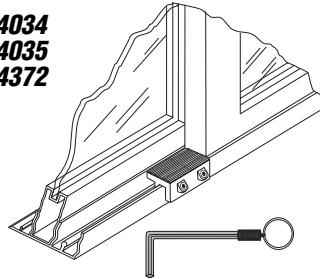




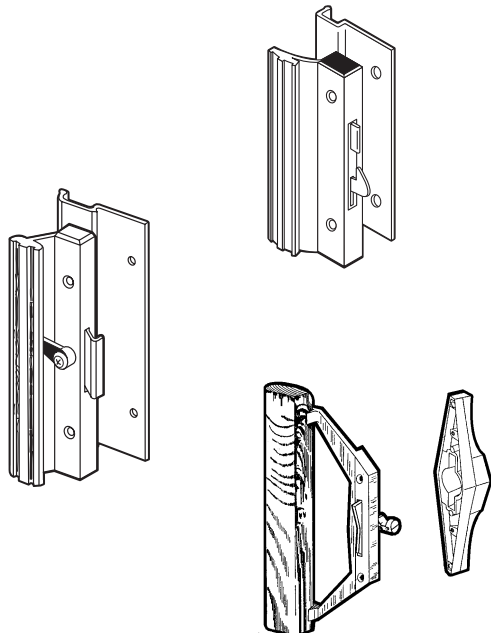
S-4030
S-4031
S-4370



S-4034
S-4035
S-4372



S-4332



S-4030 (Aluminum finish)

S-4031 (Black finish)

S-4370 (White finish)

Double Thumbscrew Lock

Contents: 1 lock.

Description: Heavy duty zinc diecast housing with two steel thumbscrews; additional gripping power securely locks door in closed or ventilating position; easy to install.

S-4034 (Aluminum finish)

S-4035 (Black finish)

S-4372 (White finish)

Tamperproof Lock

Contents: 1 lock & 1 Allen wrench.

Description: Heavy duty zinc diecast housing with two tamperproof Allen head security screws; additional gripping power securely locks door in closed or ventilating position; prevents accidental opening by children; easy to install.

S-4332 (Zinc plated)

Security Lock

Contents: 1 lock.

Description: Zinc plated stamped steel lock with 2 steel thumbscrews; secures door in locked position.

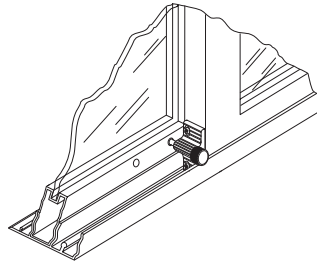
**See Our
Patio Door Handle
section for the most
complete selection of
product to be found anywhere**

- S-4002** (Aluminum finish - carded)
- S-4003** (Black finish - carded)
- S-4354** (White finish - carded)
- CCEP-4002** (Aluminum finish - bulk)
- CCEP-4003** (Black finish - bulk)
- CCEP-4354** (White finish - bulk)

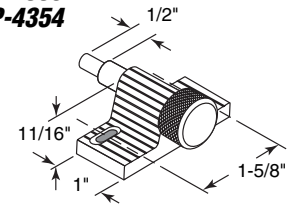
Twist-In Lock

Contents: *Carded:* 1 lock and installation screws.
Bulk: 50 locks in a display box.

Description: Zinc plated or painted Zamac cast housing with twist-in action, aluminum bolt; securely locks door in closed or ventilating position; prevents prying or lifting of door.



- S-4002**
- S-4003**
- S-4354**
- CCEP-4002**
- CCEP-4003**
- CCEP-4354**

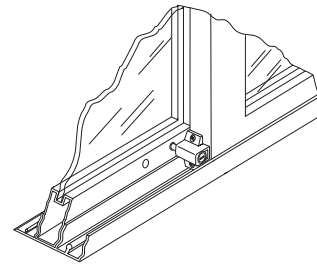


- S-4004** (Aluminum finish)
- S-4005** (Black finish)
- S-4360** (White finish)

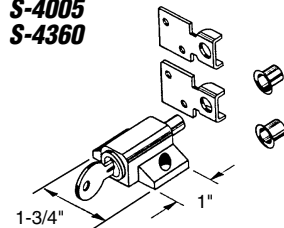
Push-In Keyed Lock

Contents: 1 lock with 2 strikes; 2 ferrules; 2 keys & installation screws.

Description: Painted or plated diecast housing with hardened steel bolt for push button locking; unlocks only with key; prevents prying or lifting of door; heavy duty construction.



- S-4004**
- S-4005**
- S-4360**

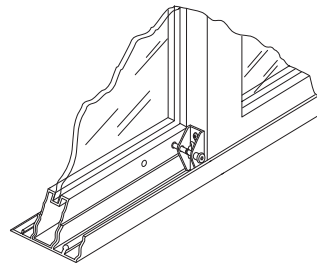


- S-4009** (Aluminum finish)
- S-4029** (Black finish)
- S-4356** (White finish)

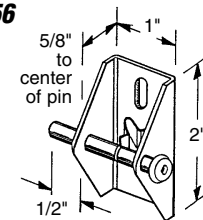
Push/Pull Lock

Contents: 1 lock & 2 installation screws.

Description: Painted or plated heavy gauge steel housing with hardened steel pin; securely locks door in closed or ventilating position; two position push/pull action prevents accidental lockout; also prevents prying or lifting of door.



- S-4009**
- S-4029**
- S-4356**

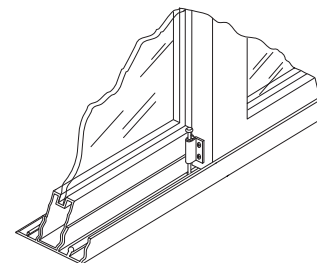


- S-4077** (Aluminum finish)
- S-4357** (White finish)

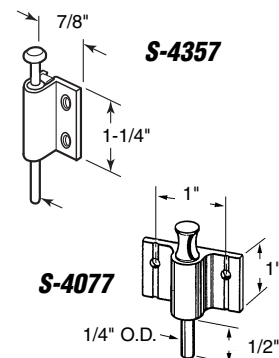
Push/Pull Lock

Contents: 1 lock & 2 installation screws.

Description: Painted diecast housing with steel bolt; securely locks door in closed or ventilating position.



- S-4357**

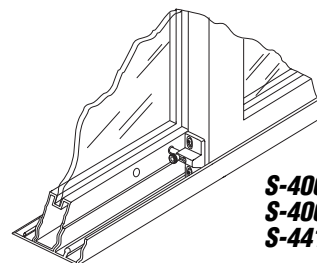


- S-4006** (Aluminum finish)
- S-4007** (Bronze finish)
- S-4414** (White finish)

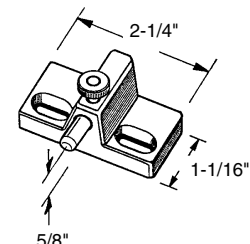
Slide Bolt Lock

Contents: 1 lock & 2 installation screws.

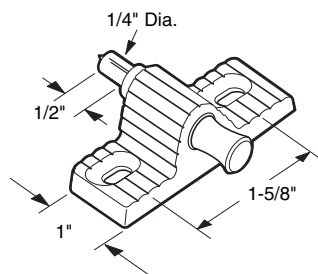
Description: Painted or plated diecast housing with case hardened steel bolt; securely locks door in closed or ventilating position; prevents prying or lifting of door.



- S-4006**
- S-4007**
- S-4414**



S-4388
S-4389

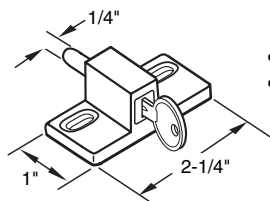


S-4388 (Aluminum finish)
S-4389 (Black finish)

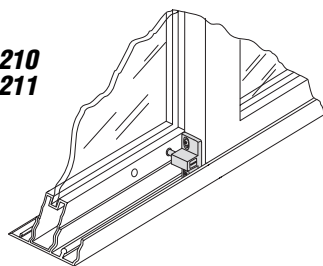
Push-Pull Lock

Contents: 1 lock; 2 installation screws.

Description: Painted or plated zinc diecast housing with steel bolt; locks door in closed or ventilating position; helps prevent prying or lifting of door.



S-4210
S-4211

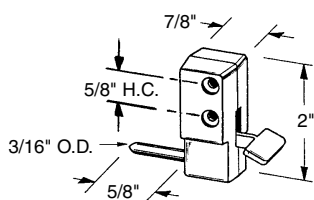


S-4210 (Aluminum finish)
S-4211 (Black finish)

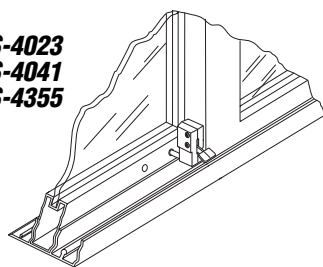
Push-In Keyed Lock

Contents: 1 lock & 2 installation screws.

Description: Painted or plated diecast housing with steel bolt for push button locking; unlocks only with key; prevents prying or lifting of door.



S-4023
S-4041
S-4355

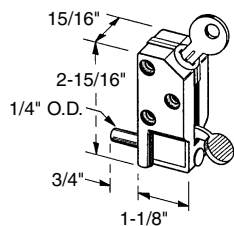


S-4023 (Aluminum finish)
S-4041 (Black finish)
S-4355 (White finish)

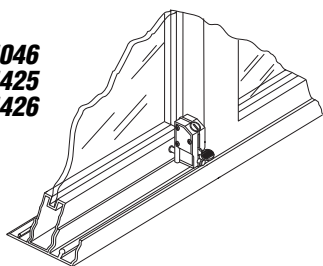
Step-On Lock

Contents: 1 lock & 2 installation screws.

Description: Painted diecast housing with hardened steel bolt; securely locks door in closed or ventilating position; convenient foot operation; easy to install.



S-4046
S-4425
S-4426

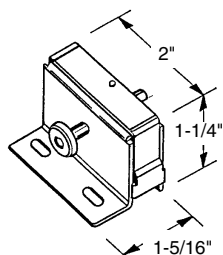


S-4046 (Aluminum finish)
S-4425 (Black finish)
S-4426 (White finish)

Step-On Keyed Lock

Contents: 1 lock with 2 keys & 1 set of installation screws.

Description: Painted diecast housing with hardened steel bolt; securely locks door in closed or ventilating position; convenient foot operation of bolt; locks and unlocks with key.



S-4008
S-4025

S-4008 (Aluminum finish)
S-4025 (Black finish)

Push-Bolt Lock

Contents: 1 lock; 2 installation screws.

Description: Painted or plated push bolt; push-in bolt to lock; step on top to unlock; heavy gauge stamped steel; fits most patio door configurations.

Patio Door

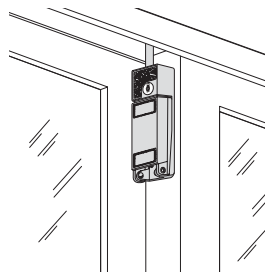
U-9997 (Aluminum finish - new Defender card)

U-9919 (White finish - new Defender card)

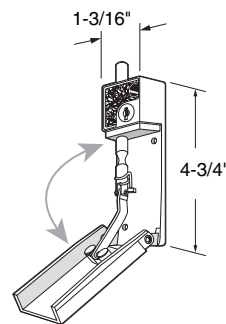
Keyed Bolt Lock

Contents: 1 locking assembly & installation screws.

Description: Painted diecast assembly; throw bolt may be manually locked or key locked; prevents forced entry; may be locked in ventilating position.



U-9997
U-9919



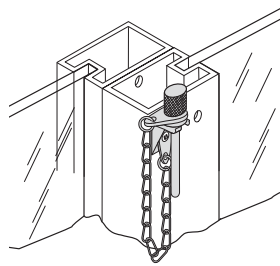
S-4066 (Chrome finish)

S-4408 (Antique nickel finish)

Window Pin Lock

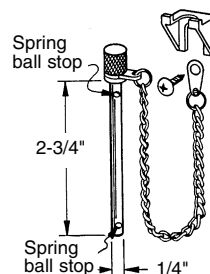
Contents: 1 pin with chain; 1 holder; installation screws.

Description: Plated, case hardened steel pin stores in holder when unlocked; securely locks window in closed or ventilating position; prevents prying or lifting of door; **spring loaded steel ball** prevents pin from being jarred loose from the door.



Unlocked

S-4066
S-4408



S-4011 (Zinc plated - carded)

S-4148 (Black finish - carded)

CCEP-4011 (Zinc plated - bulk)

CCEP-4148 (Black finish - bulk)

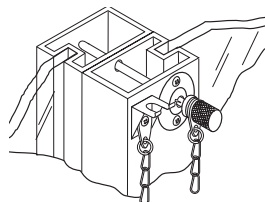
Pin Lock with Retaining Ring

Contents: 1 pin with chain; retaining cap; holder and installation screws.

Carded: 1 per card.

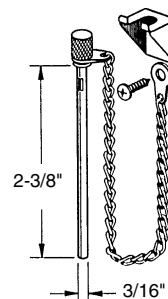
Bulk: 100 per cut case carton (1 per bag).

Description: Plated, case hardened steel pin locks in retaining ring when engaged; stores in holder when unlocked; securely locks door in closed or ventilating position; prevents prying or lifting of door.



Locked

S-4011
S-4148
CCEP-4011
CCEP-4148

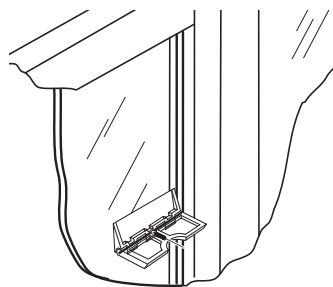


S-4124 (Clear)

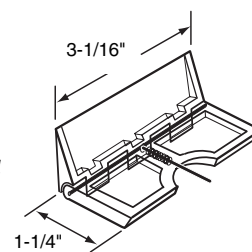
Glass Surface Lock

Contents: 2 locks.

Description: Clear lucite; two piece hinged assembly with spring loaded plunger lock; **clear adhesive backing**; securely locks door in closed or ventilating position; no tools needed to install; inconspicuous when installed.



S-4124



S-4376 (13/16" width)

U-9846 (1-1/8" width - new Defender card)

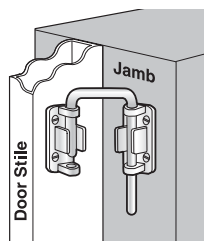
S-4378 (1-7/16" width)

U-9847 (2-1/8" width - new Defender card)

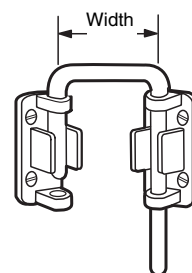
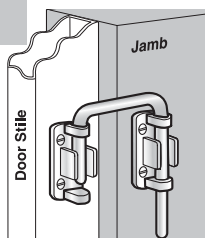
Loop Lock

Contents: Loop lock rod with bracket attached; keeper and installation screws.

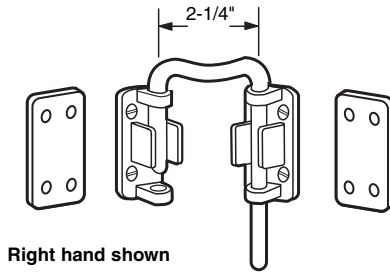
Description: Nickel plated, hardened steel locking rod with diecast bracket and keeper; secures door to jamb; four sizes allow flexibility of installation.



S-4376
U-9846
S-4378
U-9847



S-4417
S-4418

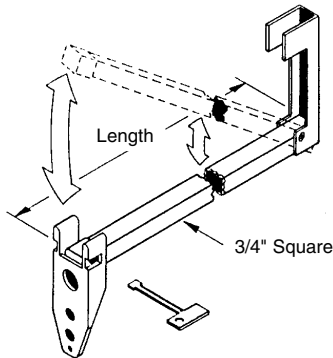


S-4417 (Left hand)
S-4418 (Right hand)

Curved Loop Lock

Contents: 1 loop lock rod with slide bracket attached; 1 keeper; 2—1/8" thick shims; 1 set of installation screws.

Description: Nickel plated, hardened steel lock rod with diecast bracket and keeper; secures door to jamb; unique curved rod design offers flexibility on various installations.



Security Bar Lock (Poly bag and header)

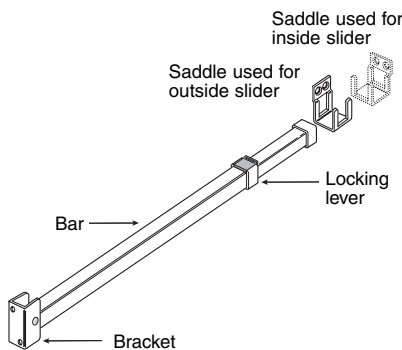
Finish (Part Number)

Bar Length	Clear Anodized Bronze White		
	Clear Anodized	Bronze	White
3 foot	S-4337	S-4338	S-4339
4 foot	S-4013	S-4154	S-4220
5 foot	S-4221	S-4222	S-4223
6 foot	S-4224	S-4225	S-4226

Contents: 1 bar assembly; 1 locking saddle; 1 key; installation screws.

Description: Clear anodized and painted extruded aluminum bar with stamped steel hinged retainer for open position; plastic retainer with key for locked position.

U-9920
U-9921

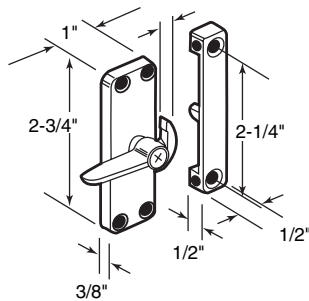


U-9920 (Aluminum finish - new Defender card)
U-9921 (White finish - new Defender card)

Security Bar Lock

Contents: 1 bar assembly; 1 locking saddle & installation screws.

Description: Clear anodized and painted aluminum bar; telescopic adjustability accommodates 28" to 48" wide inside and outside sliding patio doors; no cutting required; easy to install.



S-4062
S-4063

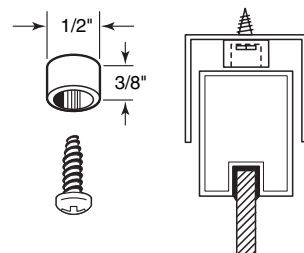
S-4062 (Aluminum finish)
S-4063 (Black finish)

Security Latch

Contents: 1 latch; 1 keeper; 1 set of installation screws.

Description: Heavy zinc diecasting; face or side mount strike; mounts onto patio door rail to act as a secondary security lock.

S-4028



S-4028

"Anti-Lift" Patio Door Bumpers

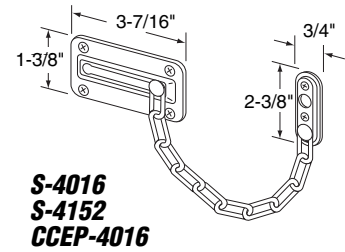
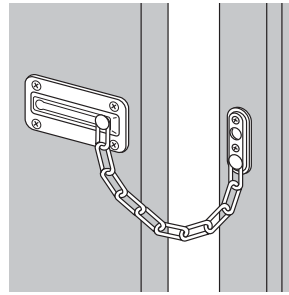
Contents: 9 vinyl bumpers; 9 installation screws.

Description: Helps prevent lifting of sliding glass door from frame; reduces the gap at the top of the frame so door cannot be removed when closed.

- S-4016** (Brass finish)
- S-4152** (Chrome finish)
- CCEP-4016** (Brass finish - bulk 75 pieces - cut case carton)

Chain Door Guard

Contents: 1 chain lock with keeper & installation screws.
Description: **Plated steel** keeper, slide lock and chain; secures door while allowing viewing and ventilation; easy to install.
 You may wish to stock these related parts: **S-4024**.

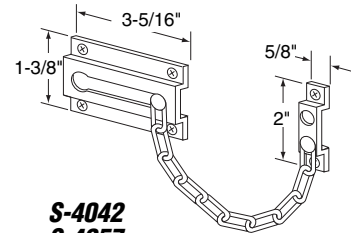
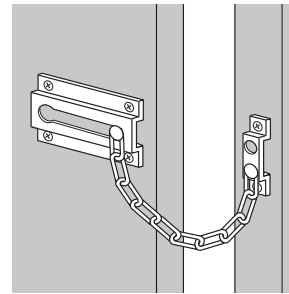


S-4016
S-4152
CCEP-4016

- S-4042** (Polished brass)
- S-4257** (Antique brass)
- S-4298** (Chrome plated)

Chain Door Guard

Contents: 1 chain lock with keeper & installation screws.
Description: **Solid brass** keeper and slide lock with **plated steel** chain; secures door while allowing viewing and ventilation; easy to install.
 You may wish to stock these related parts: **S-4020**.

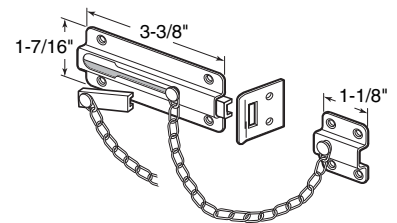
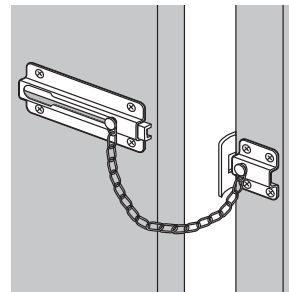


S-4042
S-4257
S-4298

- S-4177** (Polished brass)

Chain Lock Deadbolt (Heavy duty)

Contents: 1 chain lock with keeper; 1 set of installation screws.
Description: **Heavy duty** slide lock and keeper are made of **solid extruded brass**; **plated steel** chain; provides tamper-proof security; easy to install; slide bolt secures door in locked position.

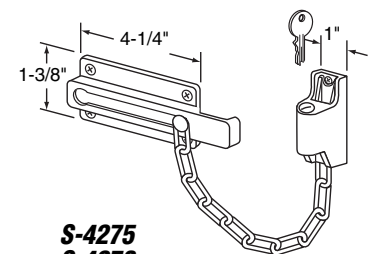
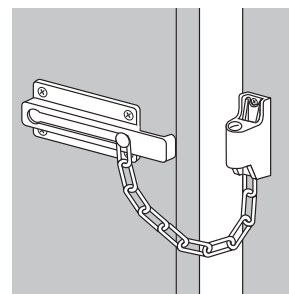


S-4177

- S-4275** (Brass finish)
- S-4276** (Antique brass finish)
- S-4390** (Chrome finish)

Chain Door Guard (Keyed)

Contents: 1 chain lock; 2 keys; 1 set of installation screws.
Description: **Plated steel** chain and **diecast** lock and keeper secure door while allowing viewing and ventilation; can be unlocked with key from outside or inside; bolt slides into keyed mechanism to lock or stores on slide bolt.

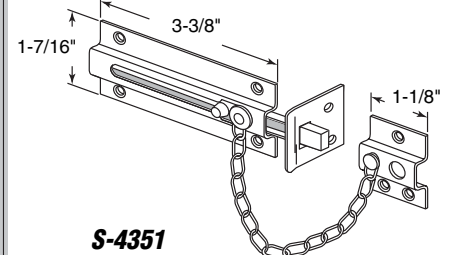
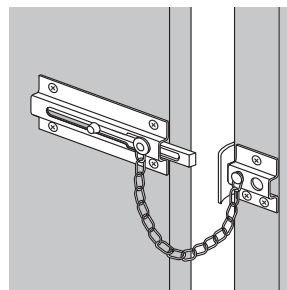


S-4275
S-4276
S-4390

- S-4351** (Brass finish)

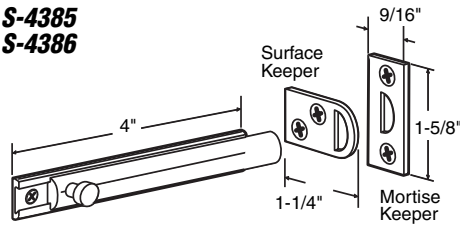
Chain Door Guard (With bolt)

Contents: 1 chain lock with keeper; 1 set of installation screws.
Description: **Plated steel** keeper, slide lock and chain with **diecast** throw bolt; use of chain secures door while allowing viewing and ventilation; sliding bolt secures closed door and allows unlocking from inside only.



S-4351

S-4385
S-4386



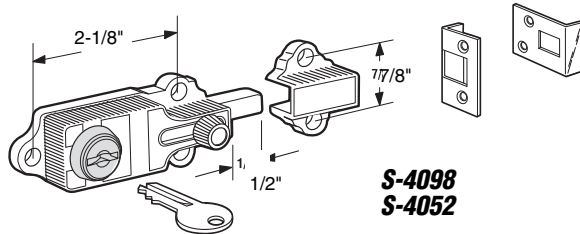
S-4385 (4" length - polished brass)

S-4386 (6" length - polished brass)

Surface Bolt

Contents: 1 slide bolt; 2 keepers & installation screws.

Description: Solid brass slide bolt surface mounts to face of door; two keepers allow for surface or mortise frame installation.



S-4098
S-4052

S-4098 (Brass finish)

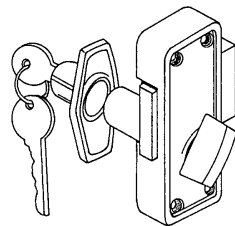
S-4052 (Chrome finish)

Keyed Deadbolt Lock

Contents: 1 lock; 3 keepers & installation screws.

Description: Plated diecast lock is key locked from inside; 3 keepers offer flexible mounting for both inswing and outswing doors.

S-4145

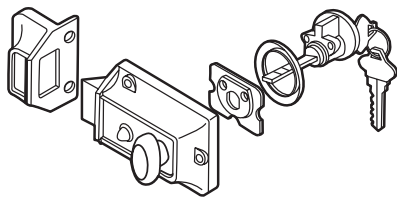


S-4145 (Chrome finish)

Keyed Surface Lock

Contents: 1 lock assembly; 2 keys.

Description: Plated diecast surface mounted deadbolt lock with key cylinder; fits 7/8" to 1-3/8" thick door; thumbturn activates deadbolt from inside.



U-9967

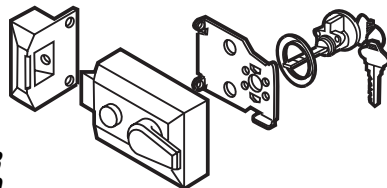
U-9967 (Brass finish - new Defender card)

Night Latch & Locking Cylinder

Contents: 1 night latch with locking cylinder and trim ring; 2 keys; 1 mounting plate; 1 keeper and installation screws.

Description: Brass painted diecast locking unit and keeper; hold open feature; spring latch for automatic locking; five pin tumbler cylinder; 1-1/4" bore.

U-9968
U-9969



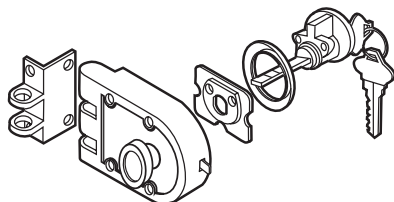
U-9968 (Polished brass finish - new Defender card)

U-9969 (White finish - new Defender card)

Night Latch & Locking Cylinder

Contents: 1 night latch with locking cylinder and trim ring; 2 keys; 1 mounting plate; 1 keeper and installation screws.

Description: Plated and painted diecast locking unit and keeper; contemporary design; hold open feature; spring latch for automatic locking; five pin tumbler cylinder; 1-1/4" bore.



U-9970
U-9971

U-9970 (Brass finish - new Defender card)

U-9971 (White finish - new Defender card)

Jimmy-Resistant Deadlock (Single cylinder)

Contents: 1 locking unit with locking cylinder and trim ring; 1 mounting plate; 1 keeper & installation screws.

Description: Painted diecast locking unit and keeper; locks door to jamb to prevent forced entry; 5-pin tumbler cylinder; requires a 1-1/4" hole; includes tamper-proof shutter guard, which insures lock integrity from outside manipulation.

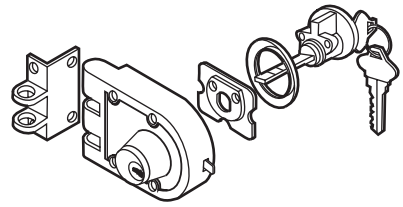
- U-9972** (Brass finish - new Defender card)
- U-9973** (White finish - new Defender card)
- U-9974** (Polished brass & black finish - new Defender card)

Jimmy-Resistant Deadlock (Double cylinder)

Contents: 1 locking unit with locking cylinder and trim ring; 1 mounting plate; 1 keeper & installation screws.

Description: Painted and plated diecast locking unit and strike; locks door to jamb to prevent forced entry; double cylinder unit is ideal for doors with glass panes or when located next to a glass side light; 5-pin tumbler cylinder requires a 1-1/4" hole; includes tamper-proof shutter guard, which insures lock integrity from outside manipulation.

U-9972
U-9973
U-9974

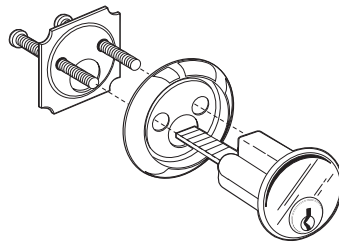


- S-4103** (Brass finish)

Rim Cylinder Lock (Kwikset keyway)

Contents: 1 key cylinder with trim ring and 2 keys; 1 mounting plate and 2 screws.

Description: Heavy duty zinc diecast housing with brass face and 5 pin tumbler lock.



S-4103

- S-4060** (Aluminum finish - keyed)

- S-4061** (Aluminum finish)

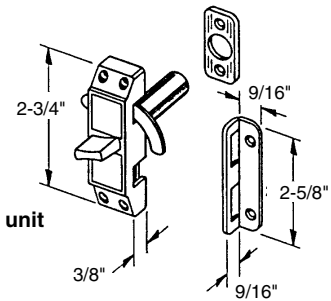
Deadbolt Loop Lock

Contents: 1 lock assembly; 1 strikeplate; 1 set of installation screws.

Description: Plated, hardened steel bolt, loops through keeper to prevent lift-out or jimmying of doors; housing is heavy zinc diecasting; thumbturn activates locking from outside.

S-4060
S-4061

Keyed locking unit

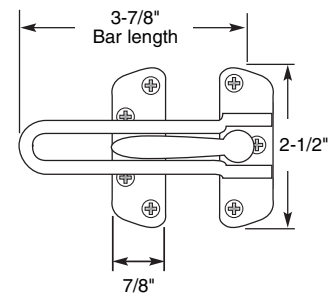
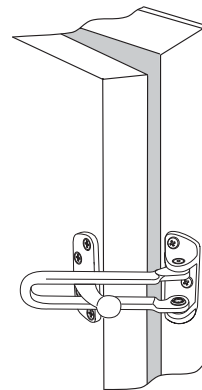


- S-4059** (Brass finish)
- S-4120** (Antique brass finish)
- S-4121** (Chrome finish)
- S-4122** (Brushed chrome finish)
- S-4424** (White finish)
- S-4429** (Satin brass finish)

Swing Bar Lock

Contents: 1 swing loop keeper; 1 bar lock & installation screws.

Description: Plated or painted heavy zinc diecasting; secures door while allowing 2" of viewing or ventilation; easy to install.

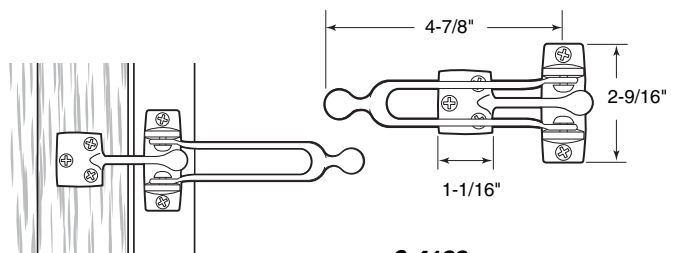


- S-4182** (Polished brass finish)

Swing Bar Lock

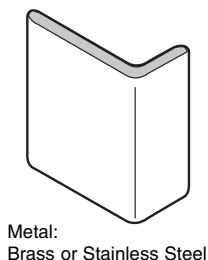
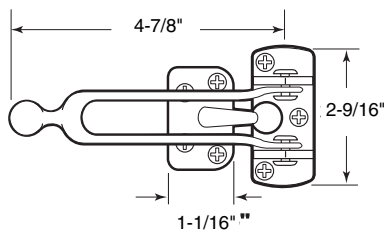
Contents: 1 swing loop keeper; 1 bar lock; 1 set of installation screws.

Description: Cast brass bar lock and swing loop keeper; ball on bar lock interlocks to keeper allowing door to be opened slightly for viewing, and helps to deter forced entry; ball on swing loop keeper serves as a convenient handle.

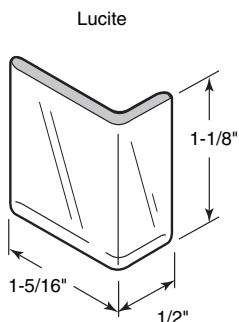


S-4182

S-4183
S-4184
S-4353
S-4430



Metal:
 Brass or Stainless Steel



S-4212
S-4213
S-4214
S-4215
S-4511
S-4512

S-4183 (Polished brass)
S-4184 (Satin bronze finish)
S-4353 (Brushed chrome finish)
S-4430 (Satin brass finish)

Swing Bar Lock with Edge Guard

Contents: 1 swing loop keeper; 1 bar lock; 1 edge guard; 1 set of installation screws.

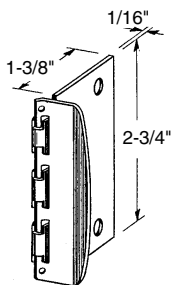
Description: Cast brass bar lock and swing loop keeper; polished or plated; ball on bar lock interlocks to keeper which allows door to be opened slightly for viewing; helps to deter forced entry; edge guard aids in reducing marring of door and frame.

S-4212 (Clear lucite - 10 per bag)
S-4213 (Polished brass - 5 per bag)
S-4214 (Antique brass - 5 per bag)
S-4215 (Brushed stainless - 5 per bag)
S-4511 (Satin brass - 5 per bag)
S-4512 (Chrome finish - 5 per bag)

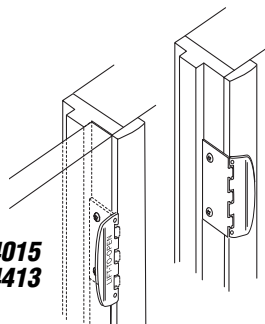
Edge Guard

Contents: Edge guards.

Description: Edge guard is adhesive backed for self-sticking application; eliminates marring of wood when lock is swung back and forth.



S-4015
S-4413

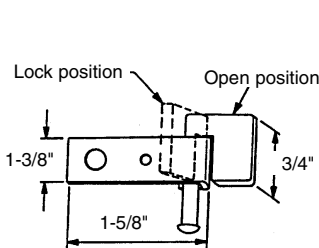


S-4015 (Brass finish)
S-4413 (White finish)

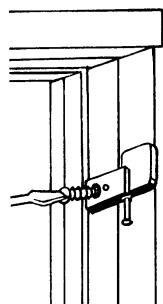
Flip Door Lock

Contents: 1 lock & installation screws.

Description: Plated or painted steel privacy lock; flip action to lock or unlock; no mortising required; easy to install.



S-4099

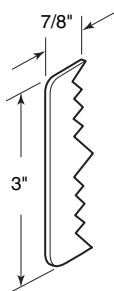


S-4099 (Yellow zinc finish)

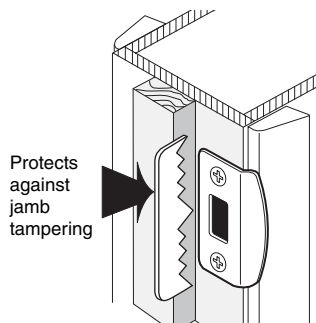
Mini Flip-It Lock

Contents: 1 lock; 1 set of installation fasteners.

Description: Plated steel installation plate and flip lock can be used on bedroom and bathroom doors as a secondary security or privacy lock; installs in seconds; easy to operate.



S-4277



S-4277 (Brass finish)

Anti-Jimmy Plate

Contents: 2 anti-jimmy plates.

Description: Plated steel plate protects against unwanted entry by use of credit cards or screwdrivers.

Entry Door

S-4019 (Polished brass)

S-4178 (Polished brass - **U.L. Listed**)

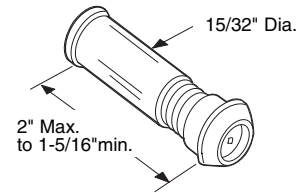
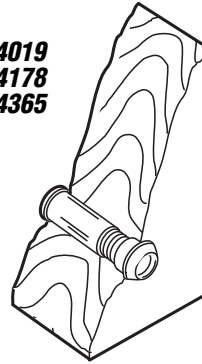
S-4365 (Satin chrome finish - **U.L. Listed**)

Door Viewer (160°)

Contents: 1 viewer.

Description: Solid brass housing; glass or plastic lenses; fits 1-3/8" to 2" thick wood or metal doors; easy to install; glass lens viewers are **U.L. Listed**; requires 1/2" hole for installation.

S-4019
S-4178
S-4365



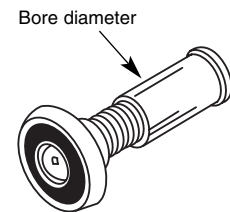
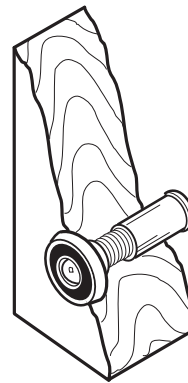
Door Viewers

Part No.	Bore Diameter	Finish	View
S-4200	1/2"	Chrome	180°
S-4330	1/2"	Brass	190°
S-4020	9/16"	Brass	180°
CCEP-4020*	9/16"	Brass	180°
S-4153	9/16"	Satin Chrome	190°
S-4185	9/16"	Chrome	190°
S-4366	9/16"	Satin Chrome	190° U.L. Listed
S-4179	9/16"	Brass	200° U.L. Listed
S-4244	9/16"	Brass	200°

Contents: 1 viewer.

Description: Solid brass housing; glass or plastic lenses; fits 1-3/8" to 2-1/8" thick wood or metal doors; easy to install; glass lens viewers are **U.L. Listed**.

*CCEP-4020: Bulk - 100 pieces per cut case carton.



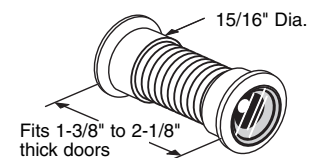
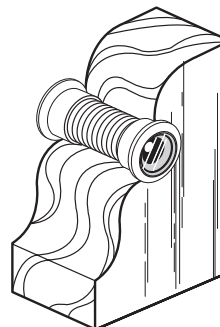
S-4021 (Polished brass)

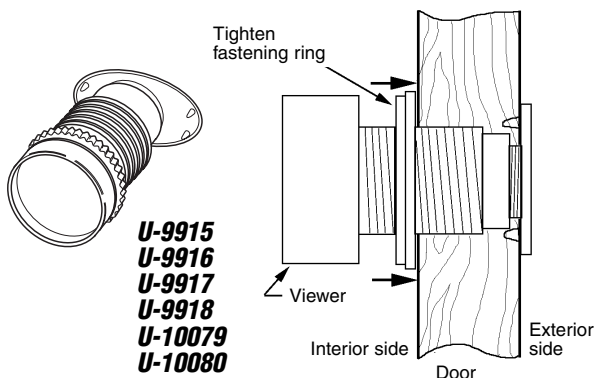
Door Viewer (160°)

Contents: 1 viewer.

Description: Solid brass end caps with diecast threaded housing; glass lens; fits 1-3/8" to 2-1/8" thick wood or metal doors; easy to install; requires 1" hole for installation.

S-4021





U-9915
U-9916
U-9917
U-9918
U-10079
U-10080

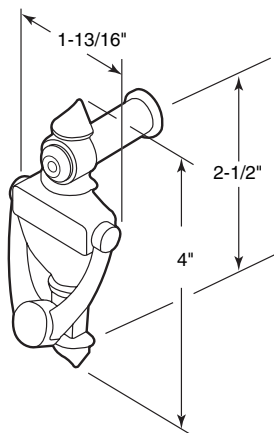
U-9915 (Gold finish)
U-9916 (Bronze finish)
U-9917 (White finish)
U-9918 (Gray finish)
U-10079 (Vacumm plated - Brass)
U-10080 (Vacumm plated - Chrome)

Door Viewer

Contents: 1 viewer.

Description: High impact plastic housing requires 1-3/4" hole; "clear image" prism construction allows arms length viewing with nearly 2" of giant screen viewing; fits 1-3/8" to 2" thick wood or metal doors; prism image is a reversed and mirrored image.

Note: New Defender packaging.



CCEP-4090
CCEP-4228
CCEP-4411

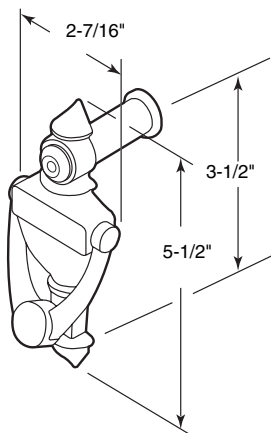
CCEP-4090 (Brass finish)
CCEP-4228 (Antique brass finish)
CCEP-4411 (Chrome finish)

Door Knocker and Viewer (Poly bagged)

Contents: 1 knocker; 1 viewer; 1 set of installation screws.

Description: Diecast knocker and solid brass 160° viewer; fits doors 1-3/8" to 1-3/4" thick; requires 1/2" installation hole.

Standard Pack: 10 per cut case box.



CCEP-4234
CCEP-4235

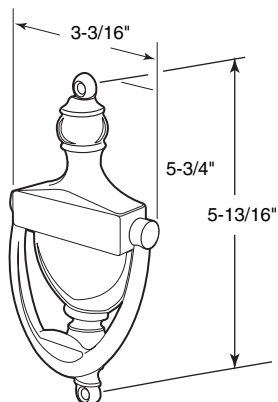
CCEP-4234 (Brass finish)
CCEP-4235 (Antique brass finish)

Door Knocker and Viewer (Poly bagged)

Contents: 1 knocker; 1 viewer; 1 set of installation screws.

Description: Deluxe brass door knocker and 180° viewer; fits doors 1-3/8" to 1-3/4" thick; requires 9/16" installation hole.

Standard Pack: 6 per cut case box.



CCEP-4089
CCEP-4227
CCEP-4412

CCEP-4089 (Brass finish)
CCEP-4227 (Antique brass finish)
CCEP-4412 (Chrome finish)

Door Knocker (Poly bagged)

Contents: 1 knocker.

Description: Plated diecast knocker; large traditional design.

Standard Pack: 6 per cut case box.

CCEP-4290 (2-1/2" length)

CCEP-4208 (3-1/2" length)

CCEP-4209 (4-1/2" length)

Safety Hasp

Contents: 1 hasp; 1 set of installation screws.

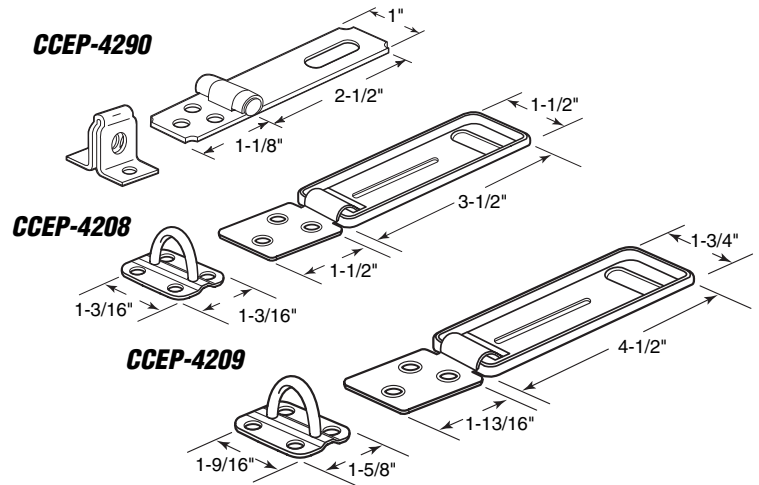
Description: Zinc plated steel safety hasp is used for a variety of applications, including securing pairs of doors and tool boxes; screws are concealed when hasp is in the locked position.

Standard Pack:

CCEP-4290 - 20 per cut case box

CCEP-4208 - 10 per cut case box

CCEP-4209 - 10 per cut case box



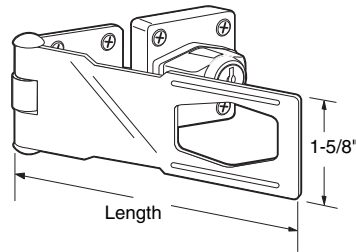
U-9951 (Chrome plated - 4" length - new Defender card)

S-4236 (Chrome plated - 2-1/2" length)

Keyed Hasp

Contents: 1 hasp; 1 locking mechanism; 1 set of installation screws.

Description: Plated steel hasp hinges over zinc diecast locking mechanism; twist keyed knob to lock and use key to unlock; hasp covers screws when in locked position.



U-9951

S-4236

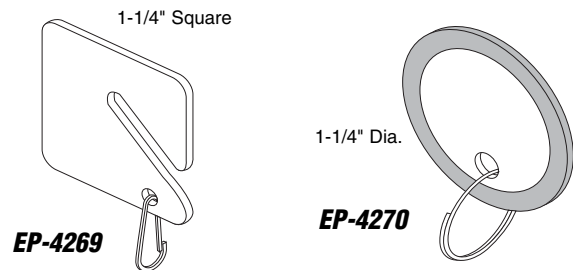
EP-4269 (Plastic tag)

EP-4270 (Paper tag with metal rim)

Key Tags

Contents: 20 key tags in a poly bag.

Description: White plastic or paper key tags; used to identify specific corresponding locations.

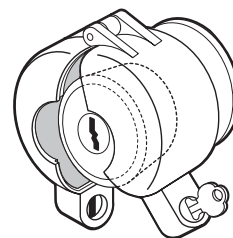


S-4180

Lockout Device

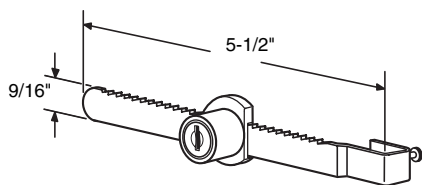
Contents: 1 lock per carton

Description: Diecast, gray painted lock; prevents door knob from being turned; deters tampering; key locked for maximum security.



S-4180

S-4057

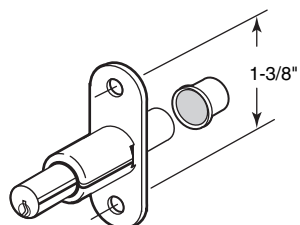


S-4057 (Chrome finish)

Showcase Window Key Lock

Contents: 1 lock; 2 keys; 1 adjustable bar.

Description: Chrome plated steel showcase and pass-thru window lock; fits up to 5/16" thick glass; adjustable lock allows for various closing alignments; easy to install.



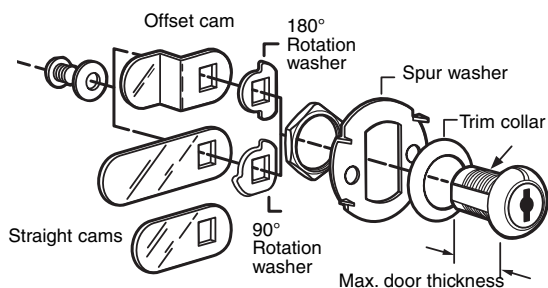
S-4256

S-4256 (Chrome finish)

Showcase Plunger Lock

Contents: 1 lock; 1 ferrule; 2 keys.

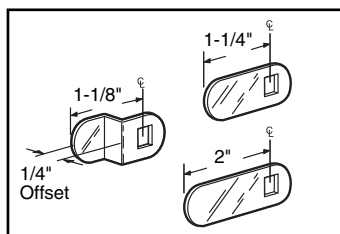
Description: Plated diecast installation plate and steel plunger bolt; lock installs easily on sliding glass doors with track assemblies; it can be installed at top or bottom of door frame; spring activated design permits locking by pushing the plunger without using a key; bore size is 9/16" diameter.



Drawer and Cabinet Lock

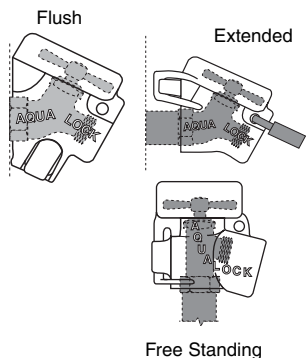
Part No.	Finish	Door Thickness	Application
S-4453	Brass	1/2"	Drawer & Cabinet Lock
S-4454	Chrome	1/2"	"
S-4455	Brass	3/4"	"
S-4456	Chrome	3/4"	"
S-4468	Chrome	1"	"
S-4469	Brass	1"	"

Cam Dimensions



Contents: 1 lock; 2 cams; 1 trim collar; 1 spur washer; 2 rotation washers; 1 lock nut; 2 keys.

Description: Plated diecast housing and steel cams can be mounted to metal or wood door/drawer from 1/2" to 1" thick; keyed locking for maximum security.



CCEP-4271
CCEP-4272
CCEP-4273



CCEP-4271 (Flush)

CCEP-4272 (Extended)

CCEP-4273 (Free standing)

Faucet Lock Box

Contents: 1 lock box in a poly bag.

Description: Cast aluminum lock box, prevents faucet from being turned on accidentally; eliminates water waste and deters vandalism; requires use of a padlock.

Standard Pack: 3 per cut case box.

Mail Box Locks

S-4048 (1/4" bolt)

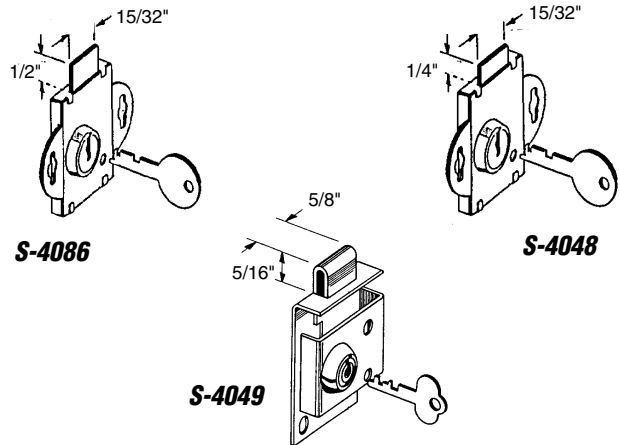
S-4049 (5/16" bolt)

S-4086 (1/2" bolt)

Deadbolt Locks

Contents: 1 lock with screws.

Description: Brass plated steel locks; key cylinder is offset from center; standard deadbolt application.



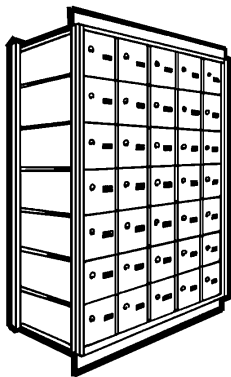
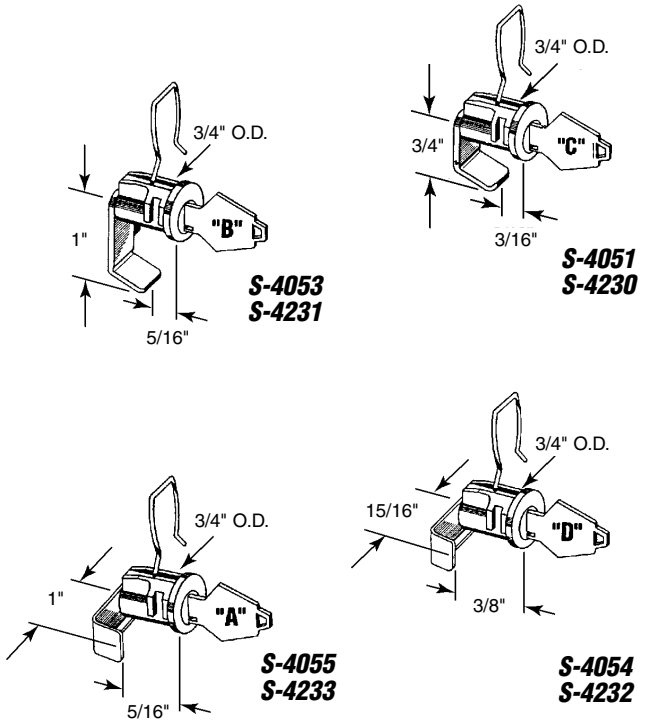
5-Pin Tumbler Locks (XL style)

Lock Face Finish
Part Number

Brass	Zinc	Replaces
S-4230	S-4051	<i>Dura Steel</i> (Jan. 1967-Oct. 1975)
S-4231	S-4053	<i>Dura Steel</i> (Nov. 1975)
S-4054	S-4232	<i>Jensen</i> (Horizontal style Jan. 1967-present or vertical style Nov. 1975-present)
S-4055	S-4233	<i>Permabilt</i> (Jan. 1967-present), and <i>Jensen</i> (Vertical style Jan. 1967-Oct. 1975)

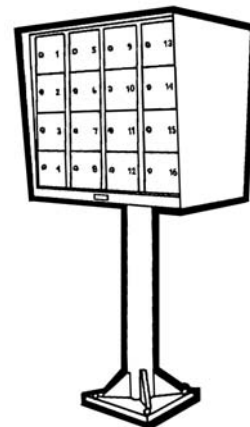
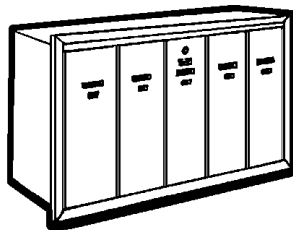
Contents: 1 lock assembly with 2 keys.

Description: Plated diecast housing and tumbler with brass pins; plated steel cam; spring wire locking clip; used by many West Coast mail box manufacturers.



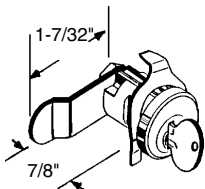
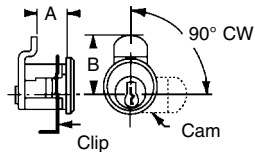
Commercial Multi-Units

Apartment-Type Units

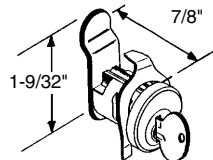


Pedestal-Type Units

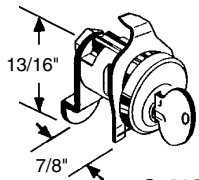
Cam measurements "A" & "B" are of primary importance in mail box lock selection



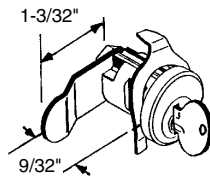
S-4125



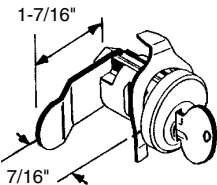
S-4126



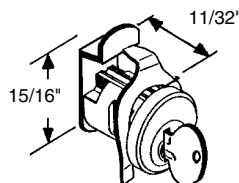
S-4127



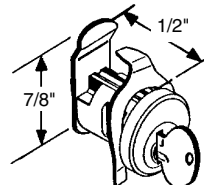
S-4128



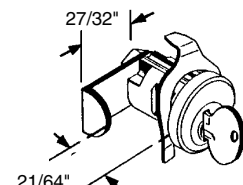
S-4129



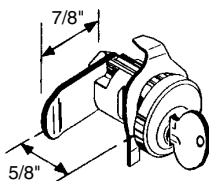
S-4130
S-4499



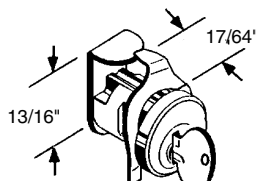
S-4131



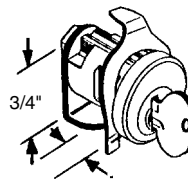
S-4132



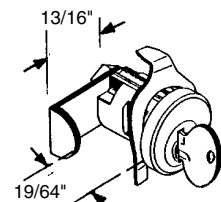
S-4133



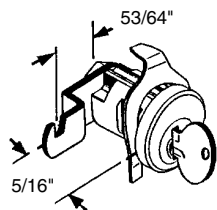
S-4134



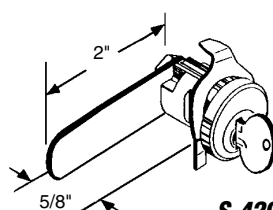
S-4136



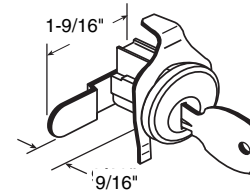
S-4137



S-4138



S-4297



S-4299

5-Pin Tumbler Locks (Nickel plated)

Part No.	Replaces	Direction of Turn To Open*	Locked Position
S-4125	Bommer	90° CCW	Left
S-4126	Bommer	90° CCW	Up
S-4127	Bommer	90° CCW	Down
S-4128	Auth Electric	90° CCW	Left
S-4129	American Device	90° CCW	Left
S-4130	Florence	90° CW	Up
S-4131	S.H. Couch	90° CW	Up
S-4132	Nutone	90° CCW	Left
S-4133	Cutler	90° CCW	Left
S-4134	Miami-Carey	90° CCW	Up
S-4136	Dura-Steel	90° CW	Down
S-4137	Jensen General	90° CCW	Left
S-4138	Bommer Hook	90° CCW	Left
S-4297	Bommer	90° CCW	Left
S-4299	Cutler Federal	90° CCW	Left
S-4499	Florence	90° CCW	Up

* CCW-Counter Clockwise CW-Clockwise

Contents: 1 lock assembly with 2 keys.

Description: Diecast cylinder with plated face; brass pins; plated steel cams; spring steel locking clip; replaces original equipment manufacturer's product.

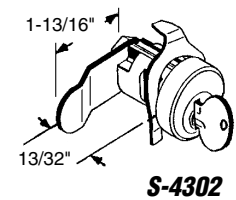
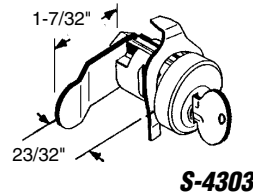
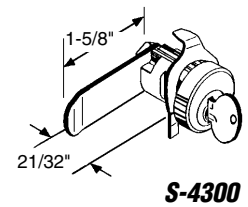
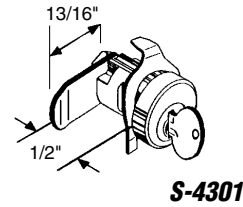
Mail Box Locks

- S-4300** (Cutler-Federal)
- S-4301** (Florence)
- S-4302** (Auth Electric)
- S-4303** (Bommer)

5-Pin Tumbler Locks (With dust covers)

Contents: 1 lock assembly with 2 keys.

Description: Diecast nickel plated face and cover; brass pins; zinc plated steel cam; spring steel locking clip; replaces original equipment manufacturer's product; dust cover protects internal pins and springs from dust and moisture in exposed exterior conditions.



- S-4139** (3 cam assortment)
- S-4140** (5 cam assortment)
- S-4396** (3 cam assortment)

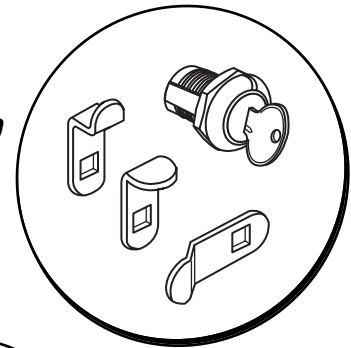
5-Pin Tumbler Locks

Part No.	Replaces	Dimensions		Locked Position
		A	B	
S-4139	Auth	9/32"	1-3/32"	Left
	Bommer	7/8"	1-9/32"	Up
	United	13/16"	1-1/16"	Left
S-4140	American	7/16"	1-7/16"	Left
	Florence	11/32"	15/16"	Up
	Miami-Carey	5/16"	13/16"	Up
	Bommer	7/8"	1-7/32"	Down
	Auth	9/32"	1-3/32"	Left
S-4396	Dura-Steel	5/32"	7/8"	Right
	Bommer	7/8"	1-7/32"	Left
	American	7/16"	1-7/16"	Left

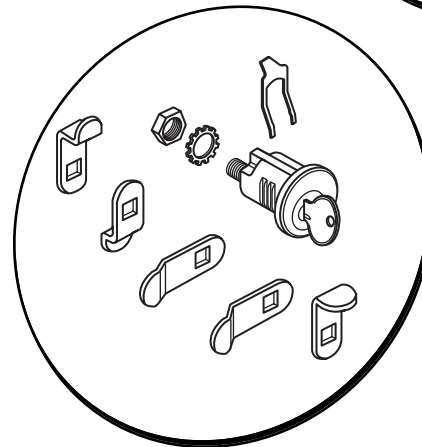
Contents: Multi-cam assortments; 1 each with 2 keys.

Description: Diecast cylinder with nickel plated face; brass pins; spring steel locking clip; replaces many manufacturers original equipment product; these multi-cam assortments can eliminate stocking of individual locks; all cylinders rotate 90° counter clockwise to open.

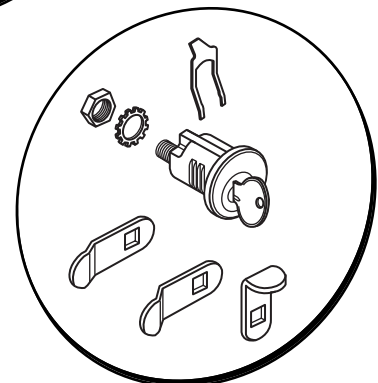
S-4139



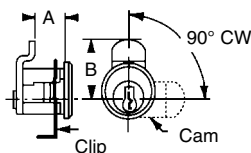
S-4140

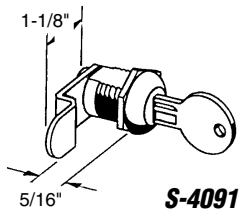


S-4396

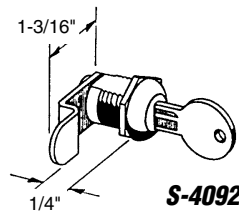


Cam measurements "A" & "B" are of primary importance in mail box lock selection

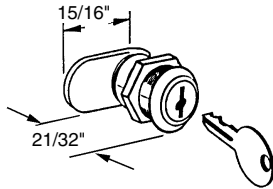




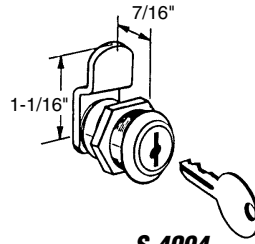
S-4091



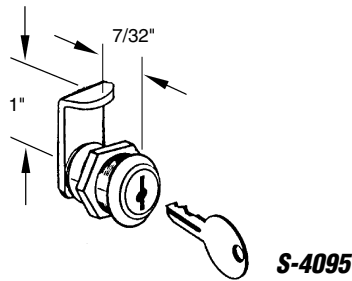
S-4092



S-4093

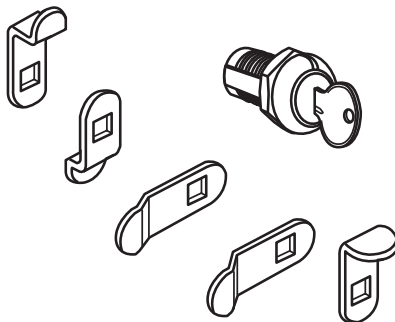


S-4094



S-4095

S-4333



S-4091 (American Device)

S-4092 (Auth)

S-4093 (Bommer)

S-4094 (Florence)

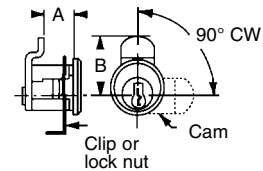
S-4095 (Miami-Carey)

Wafer Locks

Contents: 1 lock assembly; 2 keys.

Description: Diecast cylinder with nickel plated face; zinc plated steel cam and lock nut; replace original equipment manufacturer's product; **may be adjusted for CW or CCW rotation.**

Cam measurements "A" & "B" are of primary importance in mail box lock selection



S-4333 (5 cam assortment)

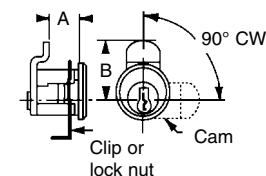
Wafer Lock

Replaces	Dimensions		Locked Position
	A	B	
Auth	9/32"	1-3/32"	Left
Bommer	7/8"	1-9/32"	Up
American	7/16"	1-7/16"	Left
Florence	11/32"	15/16"	Up
Miami-Carey	17/64"	13/16"	Up

Contents: 1 lock assembly; 5 cams; 2 keys.

Description: Diecast cylinder with nickel plated face; plated steel wafers; plated steel cams and lock nut; replaces original equipment manufacturer's product; **may be adjusted for CW or CCW rotation.**

Cam measurements "A" & "B" are of primary importance in mail box lock selection



Part No.	Page No.	Description	Package Quantity	Standard Pack
CCEP-4348 (Aluminum finish - 4/bag)	DS-14	Economy Lock	4	100
CCEP-4457 (White finish - 4/bag)	DS-14	Economy Lock	4	100
CCEP-9941KA (Chrome finish)	DS-33	Drawer & Cabinet Lock (Keyed alike)	1	20
CCEP-9942KA (Brass finish)	DS-33	Drawer & Cabinet Lock (Keyed alike)	1	20
CCEP-9943KA (Chrome finish)	DS-33	Drawer & Cabinet Lock (Keyed alike)	1	20
CCEP-9944KA (Brass finish)	DS-33	Drawer & Cabinet Lock (Keyed alike)	1	20
CCEP-9945KA (Chrome finish)	DS-33	Drawer & Cabinet Lock (Keyed alike)	1	20
CCEP-9946KA (Brass finish)	DS-33	Drawer & Cabinet Lock (Keyed alike)	1	20
E-2232 (Brass plated finish - 2 per card)	DS-2	Standard Latch Strike	2	6
E-2233 (Ant. brass plated finish - 2 per card)	DS-2	Standard Latch Strike	2	6
E-2234 (Chrome plated finish - 2 per card)	DS-2	Standard Latch Strike	2	6
E-2235 (Brass plated finish - square corner)	DS-3	Security Deadbolt Strikes	1	10
E-2236 (Brass plated finish)	DS-3	Security Latch Strike	1	10
E-2279 (Glass-brass plated base)	DS-25	Knobs	2	6
E-2280 (Brass plated - steel)	DS-25	Knobs	2	6
E-2281 (Brass finish)	DS-26	Passage Door Latch	1	6
E-2282 (2-1/4"-brass)	DS-26	Door Knob Rosettes	2	6
E-2284 (Brass plated finish)	DS-2	Standard "T" Strike (Meets ANSI A156.2)	1	10
E-2285 (Ant. brass plated finish - sq. corner)	DS-3	Security Deadbolt Strikes	1	10
E-2291 (Antique brass plated finish)	DS-3	Security Latch Strike	1	10
E-2292 (Chrome plated finish - square corner)	DS-3	Security Deadbolt Strikes	1	10
E-2293 (Brass finish)	DS-25	Mortise Lock Set (Keyed)	1	5
E-2294	DS-25	Mortise Lock Assembly (Keyed)	1	6
E-2295 (Brass finish)	DS-26	Door Escutcheon Plates	2	6
E-2296 (3"-brass)	DS-26	Door Knob Rosettes	2	6
E-2297 (Brass)	DS-25	Knobs	1	5
E-2298 (Chrome plated finish)	DS-3	Security Latch Strike	1	10
E-2299 (Stainless steel finish)	DS-2	Standard "T" Strike (Meets ANSI A156.2)	1	10
E-2300 (Bronze finish)	DS-2	Standard "T" Strike (Meets ANSI A156.2)	1	10
E-2301 (Stainless steel finish - 2 per card)	DS-2	Standard Latch Strike	2	10
E-2302 (Brass plated finish - 1/4" radius)	DS-3	Security Deadbolt Strikes	1	10
E-2303 (Ant. brass plated finish - 1/4" radius)	DS-3	Security Deadbolt Strikes	1	10
E-2304 (Chr. plated finish - 1/4" rad. corner)	DS-3	Security Deadbolt Strikes	1	10
E-2305 (Polished brass)	DS-2	Standard "T" Strike (Meets ANSI A156.2)	1	10
E-2307 (Brass plated finish - 1 per card)	DS-2	Standard Latch Strike	1	10
E-2308 (Ant. brass plated finish - 1 per card)	DS-2	Standard Latch Strike	1	10
E-2309 (Chrome plated finish - 1 per card)	DS-2	Standard Latch Strike	1	10
E-2311 (Brass finish - glass handles)	DS-25	Mortise Lock Set (Keyed)	1	6
E-2317 (Glass knob with brass rosette)	DS-26	Passage Door Latch Set	1	6
E-2318 (White painted - steel)	DS-26	Passage Door Latch Set	1	6
E-2319 (White painted - steel)	DS-25	Knobs	1	5
E-2320 (2-1/4"-white)	DS-26	Door Knob Rosettes	2	6
E-2321 (Brass)	DS-26	Passage Door Latch Set	1	6
E-2324 (Brass plated finish)	DS-4	Continuous Lip Strike	1	10
E-2325 (Chrome plated finish)	DS-4	Continuous Lip Strike	1	10
EP-9505 (Painted gray - 7")	DS-11	Latch Shield (Poly-bagged)	1	6
EP-9506 (Painted bronze - 7")	DS-11	Latch Shield (Poly-bagged)	1	6
EP-9507 (Painted gray - 12")	DS-11	Latch Shield (Poly-bagged)	1	6
EP-9508 (Painted bronze - 12")	DS-11	Latch Shield (Poly-bagged)	1	6
EP-9520 (1" wide)	DS-13	Door Edge Filler Plate (Poly-bagged)	1	6
EP-9521 (1-1/8" wide)	DS-13	Door Edge Filler Plate (Poly-bagged)	1	6
S-4048 (Brass plated)	DS-31	Mail Box Lock	1	6
S-4055 (Brass plated)	DS-31	Mail Box Lock	1	6
S-4086 (Brass plated)	DS-31	Mail Box Lock	1	6
S-4125 (Nickel plated)	DS-31	Mail Box Lock	1	6

INDEX - Defender Security

Part No.	Page No.	Description	Package Quantity	Standard Pack
S-4126 (Nickel plated)	DS-31	Mail Box Lock	1	6
S-4127 (Nickel plated)	DS-31	Mail Box Lock	1	6
S-4128 (Nickel plated)	DS-31	Mail Box Lock	1	6
S-4129 (Nickel plated)	DS-31	Mail Box Lock	1	6
S-4130 (Nickel plated)	DS-31	Mail Box Lock	1	6
S-4131 (Nickel plated)	DS-31	Mail Box Lock	1	6
S-4132 (Nickel plated)	DS-31	Mail Box Lock	1	6
S-4133 (Nickel plated)	DS-31	Mail Box Lock	1	6
S-4134 (Nickel plated)	DS-31	Mail Box Lock	1	6
S-4136 (Nickel plated)	DS-31	Mail Box Lock	1	6
S-4137 (Nickel plated)	DS-31	Mail Box Lock	1	6
S-4138 (Nickel plated)	DS-31	Mail Box Lock	1	6
S-4297 (Nickel plated)	DS-31	Mail Box Lock	1	6
S-4299 (Nickel plated)	DS-31	Mail Box Lock	1	6
S-4437 (White)	DS-28	Ball Cabinet Catches	2	6
S-4438 (White - 3 pack)	DS-28	Cabinet Catches	3	6
S-4439 (White)	DS-29	Drawer Catches	3	6
S-4440 (Ivory)	DS-28	Cabinet Locks	2	6
S-4441 (White)	DS-29	Door Knob Covers	2	6
S-4442 (White)	DS-28	Cabinet Slide Lock	2	6
S-4443 (White)	DS-30	Shock Guards	12	6
S-4444 (White)	DS-29	Drawer Catch	3	6
S-4445 (Clear)	DS-30	Corner Cushions	4	6
S-4446 (Ivory)	DS-30	Electrical Cord Shortener	1	6
S-4447 (Ivory)	DS-30	Swivel Outlet Cover	1	6
S-4448 (Ivory)	DS-29	Super Grip Door Holder	1	6
S-4460 (Clear)	DS-30	Shock Guards	12	6
S-4461 (White)	DS-30	Swivel Outlet Cover	1	6
S-4462 (White - 6 piece "Value" pack)	DS-28	Cabinet Catches	6	6
S-4499 (Nickel plated)	DS-31	Mail Box Lock	1	6
U-9422 (Brass plated finish)	DS-3	Security Latch Strike	1	10
U-9424 (Antique brass plated finish)	DS-3	Security Latch Strike	1	10
U-9425 (Brass plated finish)	DS-5	Maximum Security Deadbolt Strike	1	10
U-9426 (Brass plated finish)	DS-4	Maximum Security Latch Strike	1	10
U-9427 (Brass plated finish - 3-5/8" to 4" HC)	DS-4	Maximum Security Combination Strike	1	10
U-9474 (Chrome plated finish)	DS-3	Security Latch Strike	1	10
U-9475 (Chrome plated finish)	DS-5	Maximum Security Deadbolt Strike	1	10
U-9476 (Chrome plated finish)	DS-4	Maximum Security Latch Strike	1	10
U-9477 (Chr. plated finish - 3-5/8" to 4" HC)	DS-4	Maximum Security Combination Strike	1	10
U-9480 (Brass plated finish - 5-1/2" to 6" HC)	DS-4	Maximum Security Combination Strike	1	10
U-9481 (Aluminum anodized)	DS-10	Door Protector (Extruded aluminum)	1	6
U-9482 (Gold anodized)	DS-10	Door Protector (Extruded aluminum)	1	6
U-9483 (Stainless steel)	DS-2	Standard A.S.A. Commercial Strike	1	10
U-9484 (Solid polished brass)	DS-2	Standard A.S.A. Commercial Strike	1	10
U-9485 (Solid bronze)	DS-2	Standard A.S.A. Commercial Strike	1	10
U-9486 (Brass plated finish)	DS-2	Adjustable Strike	1	10
U-9487 (Antique brass plated finish)	DS-2	Adjustable Strike	1	10
U-9488 (Chrome plated finish)	DS-2	Adjustable Strike	1	10
U-9490	DS-9	Brass Blank Reinforcer	1	4
U-9492	DS-9	Stainless Steel Blank Reinforcer	1	4
U-9500 (Painted gray - 7")	DS-12	Latch Shield (Steel)	1	6
U-9501 (Painted bronze - 7")	DS-12	Latch Shield (Steel)	1	6
U-9502 (Brass plated - 7")	DS-12	Latch Shield (Steel)	1	6
U-9503 (Painted gray - 11")	DS-12	Latch Shield (Steel)	1	6
U-9504 (Painted bronze - 11")	DS-12	Latch Shield (Steel)	1	6

Part No.	Page No.	Description	Package Quantity	Standard Pack
U-9509 (Painted gray - 6")	DS-12	Latch Shield (Steel)	1	6
U-9510 (Brass plated - 6")	DS-12	Latch Shield (Steel)	1	6
U-9511 (Painted gray - 6")	DS-10	Latch Shield (Steel)	1	10
U-9512 (Brass plated - 6")	DS-10	Latch Shield (Steel)	1	10
U-9513 (Painted gray - 12")	DS-10	Latch Shield (Steel)	1	10
U-9514 (Brass plated - 12")	DS-10	Latch Shield (Steel)	1	10
U-9515 (Painted gray)	DS-13	Hole Cover (Steel)	1	6
U-9516 (Brass plated)	DS-13	Hole Cover (Steel)	1	6
U-9517 (Nickel plated)	DS-13	Cover Plate (Steel)	2	6
U-9524 (Satin brass plated)	DS-13	Cover Plate (Steel)	2	6
U-9532 (Brass plated finish)	DS-3	Security Strike Kit	1	10
U-9533 (Antique brass plated finish)	DS-3	Security Strike Kit	1	10
U-9534 (Nickel plated finish)	DS-3	Security Strike Kit	1	10
U-9535 (Brass plated finish)	DS-5	Maximum Security Deadbolt Strike	1	10
U-9536 (Nickel plated finish)	DS-5	Maximum Security Deadbolt Strike	1	10
U-9537	DS-7	Brass Combination Lock & Door Reinforcer	1	4
U-9539 (Brass plated finish)	DS-5	Armored Security Strike	1	10
U-9540	DS-6	Brass Lock & Door Reinforcer	1	4
U-9541	DS-6	Brass Lock & Door Reinforcer	1	4
U-9542	DS-6	Brass Lock & Door Reinforcer	1	4
U-9543	DS-8	Lock & Door Reinforcer	1	4
U-9544	DS-8	Lock & Door Reinforcer	1	4
U-9545	DS-8	Lock & Door Reinforcer	1	4
U-9546 (Brass)	DS-7	Combination Lock & Door Reinforcer	1	4
U-9547	DS-6	Brass Lock & Door Reinforcer	1	4
U-9548	DS-6	Brass Lock & Door Reinforcer	1	4
U-9549	DS-6	Brass Lock & Door Reinforcer	1	4
U-9550	DS-6	Brass Lock & Door Reinforcer	1	4
U-9551	DS-6	Stainless Steel Lock & Door Reinforcer	1	4
U-9552	DS-6	Stainless Steel Lock & Door Reinforcer	1	4
U-9553	DS-8	Lock & Door Reinforcer	1	4
U-9554	DS-8	Lock & Door Reinforcer	1	4
U-9555	DS-8	Brass Lock & Door Reinforcer	1	4
U-9556	DS-8	Brass Lock & Door Reinforcer	1	4
U-9558	DS-8	Brass Lock & Door Reinforcer	1	4
U-9559	DS-7	Brass Combination Lock & Door Reinforcer	1	4
U-9560	DS-7	Brass Combination Lock & Door Reinforcer	1	4
U-9561	DS-7	Brass Combination Lock & Door Reinforcer	1	4
U-9564	DS-8	Brass Lock & Door Reinforcer	1	4
U-9565	DS-8	Brass Lock & Door Reinforcer	1	4
U-9566	DS-9	Brass Door Edge Reinforcer	1	4
U-9567	DS-9	Brass Door Edge Reinforcer	1	4
U-9568	DS-6	Antique Brass Lock & Door Reinforcer	1	4
U-9569	DS-6	Antique Brass Lock & Door Reinforcer	1	4
U-9570	DS-6	Antique Brass Lock & Door Reinforcer	1	4
U-9571	DS-6	Antique Brass Lock & Door Reinforcer	1	4
U-9572	DS-8	Antique Brass Lock & Door Reinforcer	1	4
U-9573	DS-8	Antique Brass Lock & Door Reinforcer	1	4
U-9575	DS-8	Antique Brass Lock & Door Reinforcer	1	4
U-9577	DS-7	Combination Lock & Door Reinforcer	1	4
U-9581	DS-8	Antique Brass Lock & Door Reinforcer	1	4
U-9582	DS-8	Antique Brass Lock & Door Reinforcer	1	4
U-9583	DS-9	Antique Brass Door Edge Reinforcer	1	4
U-9584	DS-9	Brass Door Edge Reinforcer	1	4
U-9585	DS-6	Stainless Steel Lock & Door Reinforcer	1	4

INDEX - Defender Security

Part No.	Page No.	Description	Package Quantity	Standard Pack
U-9586	DS-6	Stainless Steel Lock & Door Reinforcer	1	4
U-9587	DS-6	Stainless Steel Lock & Door Reinforcer	1	4
U-9588	DS-6	Stainless Steel Lock & Door Reinforcer	1	4
U-9589	DS-8	Stainless Steel Lock & Door Reinforcer	1	4
U-9590	DS-8	Stainless Steel Lock & Door Reinforcer	1	4
U-9591	DS-8	Stainless Steel Lock & Door Reinforcer	1	4
U-9592	DS-8	Stainless Steel Lock & Door Reinforcer	1	4
U-9594	DS-7	Brass Combination Lock & Door Reinforcer	1	4
U-9595	DS-7	Stainless Steel Combination Lock & Door Reinforcer	1	4
U-9598	DS-8	Stainless Steel Lock & Door Reinforcer	1	4
U-9599	DS-8	Stainless Steel Lock & Door Reinforcer	1	4
U-9800 (Aluminum finish)	DS-14	Thumbscrew Lock	2	6
U-9801 (Black finish)	DS-14	Thumbscrew Lock	2	6
U-9802 (White finish)	DS-14	Thumbscrew Lock	2	6
U-9805 (Aluminum finish)	DS-18	Double Thumbscrew Lock	1	6
U-9806 (Black finish)	DS-18	Double Thumbscrew Lock	1	6
U-9807 (White finish)	DS-18	Double Thumbscrew Lock	1	6
U-9810 (Aluminum finish)	DS-14	Tamper-resistant Lock	2	6
U-9811 (Black finish)	DS-14	Tamper-resistant Lock	2	6
U-9812 (White finish)	DS-14	Tamper-resistant Lock	2	6
U-9815 (Aluminum finish)	DS-18	Tamper-resistant Lock	1	6
U-9816 (Black finish)	DS-18	Tamper-resistant Lock	1	6
U-9817 (White finish)	DS-18	Tamper-resistant Lock	1	6
U-9820 (Aluminum finish)	DS-14	No-mar Lock	2	6
U-9821 (White finish)	DS-14	No-mar Lock	2	6
U-9824 (Aluminum finish)	DS-15	Cam Action Lock	1	6
U-9825 (White finish)	DS-15	Cam Action Lock	1	6
U-9828 (Aluminum finish)	DS-15	Snap-on Vent Lock	2	6
U-9829 (Black finish)	DS-15	Snap-on Vent Lock	2	6
U-9830 (White finish)	DS-15	Snap-on Vent Lock	2	6
U-9833 (Aluminum finish)	DS-15	Thumbscrew Bar Lock	1	6
U-9834 (Black finish)	DS-15	Thumbscrew Bar Lock	1	6
U-9835 (White finish)	DS-15	Thumbscrew Bar Lock	1	6
U-9838 (Aluminum finish)	DS-15	Keyed Lock	1	6
U-9839 (White finish)	DS-15	Keyed Lock	1	6
U-9842 (Clear finish)	DS-20	Glass Surface Lock	2	6
U-9845 (Brass finish)	DS-16	Wood Sash Pins	8	6
U-9846 (Nickel finish - 1-1/8")	DS-21	Loop Lock	1	6
U-9847 (Nickel finish - 2-1/8")	DS-21	Loop Lock	1	6
U-9848 (Zinc finish)	DS-18	Twist-in Lock	1	6
U-9849 (Black finish)	DS-18	Twist-in Lock	1	6
U-9850 (White finish)	DS-18	Twist-in Lock	1	6
U-9853 (Aluminum finish)	DS-19	Push/Pull Lock	1	6
U-9854 (Black finish)	DS-19	Push/Pull Lock	1	6
U-9855 (White finish)	DS-19	Push/Pull Lock	1	6
U-9857 (Chrome finish)	DS-17	Window Pin Lock	1	6
U-9858 (Chrome finish)	DS-20	Door Pin with Retaining Ring	1	6
U-9861 (Aluminum finish)	DS-18	Push-in Keyed Lock	1	6
U-9862 (White finish)	DS-18	Push-in Keyed Lock	1	6
U-9863 (Brass finish)	DS-16	Keyed Sash Lock	1	6
U-9866 (Aluminum finish)	DS-19	Slide Bolt Lock	1	6
U-9867 (White finish)	DS-19	Slide Bolt Lock	1	6
U-9870 (Aluminum finish)	DS-19	Push-in Keyed Lock	1	6
U-9871 (Black finish)	DS-19	Push-in Keyed Lock	1	6
U-9874 (White finish)	DS-19	Push/Pull Lock	1	6
U-9875 (Chrome finish)	DS-24	Door Viewer (180°)	1	6

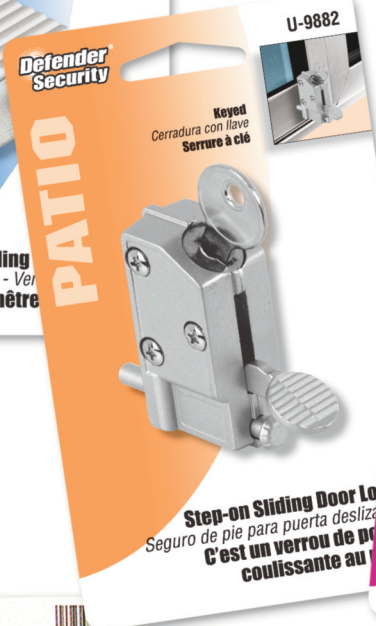
Part No.	Page No.	Description	Package Quantity	Standard Pack
U-9876 (Chrome finish)	DS-24	Door Viewer (190°)	1	6
U-9877 (Aluminum finish)	DS-20	Step-on Lock	1	6
U-9878 (Black finish)	DS-20	Step-on Lock	1	6
U-9879 (White finish)	DS-20	Step-on Lock	1	6
U-9880 (Satin chrome finish - U.L. Listed)	DS-24	Door Viewer (160°)	1	6
U-9881 (Satin chrome finish - U.L. Listed)	DS-24	Door Viewer (190°)	1	6
U-9882 (Aluminum finish)	DS-20	Step-on Keyed Lock	1	6
U-9883 (Black finish)	DS-20	Step-on Keyed Lock	1	6
U-9884 (White finish)	DS-20	Step-on Keyed Lock	1	6
U-9885 (Brass finish)	DS-23	Keyed Deadbolt Lock	1	6
U-9887 (Brass finish)	DS-23	Flip Door Lock	1	6
U-9888 (White finish)	DS-23	Flip Door Lock	1	6
U-9891 (Brass - U.L. Listed)	DS-24	Door Viewer (200°)	1	6
U-9892 (Brass)	DS-24	Door Viewer (190°)	1	6
U-9893 (Brass)	DS-24	Door Viewer (180°)	1	6
U-9895 (Brass)	DS-24	Door Viewer (160°)	1	6
U-9896 (Brass)	DS-24	Door Viewer (160°)	1	6
U-9897 (Brass finish)	DS-23	Door Guard	1	6
U-9899 (Antique brass finish)	DS-23	Door Guard	1	6
U-9900 (Chrome finish)	DS-23	Door Guard	1	6
U-9901 (Brushed chrome finish)	DS-23	Door Guard	1	6
U-9902 (White finish)	DS-23	Door Guard	1	6
U-9905 (Brass finish)	DS-22	Chain Door Guard	1	6
U-9907 (Brass)	DS-22	Chain Door Guard	1	6
U-9908 (Chrome finish)	DS-22	Chain Door Guard	1	6
U-9909 (Dull chrome)	DS-22	Chain Door Guard	1	6
U-9910 (Brass finish - steel with bolt)	DS-22	Chain Door Guard (with bolt)	1	6
U-9911 (Brass finish - solid brass with bolt)	DS-22	Chain Door Guard (with bolt)	1	6
U-9912 (Brass finish)	DS-22	Chain Door Guard (keyed)	1	6
U-9915 (Gold finish)	DS-24	Door Viewer (Giant screen)	1	6
U-9916 (Bronze finish)	DS-24	Door Viewer (Giant screen)	1	6
U-9917 (White finish)	DS-24	Door Viewer (Giant screen)	1	6
U-9918 (Gray finish)	DS-24	Door Viewer (Giant screen)	1	6
U-9919 (White finish)	DS-21	Keyed Bolt Lock	1	6
U-9920 (Aluminum finish)	DS-21	Security Bar Lock	1	6
U-9921 (White finish)	DS-21	Security Bar Lock	1	6
U-9924 (Brass finish)	DS-16	Sash Window Lock	1	6
U-9925 (White finish)	DS-16	Sash Window Lock	1	6
U-9927 (Brass finish)	DS-16	Keyed Sash Lock	1	6
U-9928 (White finish)	DS-16	Keyed Sash Lock	1	6
U-9932 (Brass finish)	DS-17	Slim-line Keyed Sash Lock	1	6
U-9933 (White finish)	DS-17	Slim-line Keyed Sash Lock	1	6
U-9935 (Brass finish)	DS-17	Casement Window Sash Lock	1	6
U-9936 (White finish)	DS-17	Casement Window Sash Lock	1	6
U-9938 (Brass finish)	DS-17	Wood Window Flip Lock	2	6
U-9939 (Brass finish)	DS-17	Wood Window Vent Lock	2	6
U-9940 (Brass finish)	DS-31	Mail Box Lock	1	6
U-9941 (Chrome finish)	DS-33	Drawer & Cabinet Lock	1	6
U-9942 (Brass finish)	DS-33	Drawer & Cabinet Lock	1	6
U-9943 (Chrome finish)	DS-33	Drawer & Cabinet Lock	1	6
U-9944 (Brass finish)	DS-33	Drawer & Cabinet Lock	1	6
U-9945 (Chrome finish)	DS-33	Drawer & Cabinet Lock	1	6
U-9946 (Brass finish)	DS-33	Drawer & Cabinet Lock	1	6
U-9947 (Brass finish)	DS-33	Drawer & Cabinet Lock	1	6
U-9949 (Chrome finish)	DS-33	Showcase Window Key Lock	1	6

INDEX - Defender Security

Part No.	Page No.	Description	Package Quantity	Standard Pack
U-9951 (4" - Zinc finish)	DS-23	Keyed Hasp	1	6
U-9952 (2-1/2" - Chrome finish)	DS-23	Keyed Hasp	1	6
U-9961 (Solid brass)	DS-23	4" Surface Bolt	1	6
U-9965 (Kwikset keyway)	DS-26	Rim Cylinder Lock (Brass finish)	1	6
U-9966 (Schlage keyway)	DS-26	Rim Cylinder Lock (Brass finish)	1	6
U-9967 (Brass painted finish)	DS-27	Night Latch & Locking Cylinder	1	6
U-9968 (Polished brass finish)	DS-27	Night Latch & Locking Cylinder	1	6
U-9969 (White finish)	DS-27	Night Latch & Locking Cylinder	1	6
U-9970 (Brass painted finish)	DS-27	Jimmy-resistant Deadlock (Single cylinder)	1	6
U-9971 (White painted finish)	DS-27	Jimmy-resistant Deadlock (Single cylinder)	1	6
U-9972 (Brass painted finish)	DS-27	Jimmy-resistant Deadlock (Double cylinder)	1	6
U-9973 (White painted finish)	DS-27	Jimmy-resistant Deadlock (Double cylinder)	1	6
U-9974 (Polished brass & black finish)	DS-27	Jimmy-resistant Deadlock (Double cylinder)	1	6
U-9975 (Stainless steel)	DS-9	Door Edge Reinforcer	1	4
U-9976 (Stainless steel)	DS-9	Door Edge Reinforcer	1	4
U-9977 (Brass)	DS-7	Combination Lock & Door Reinforcer	1	4
U-9978 (Brass)	DS-8	Lock & Door Reinforcer	1	4
U-9980 (Aluminum finish - 2/card)	DS-14	Economy Lock	2	6
U-9982 (White finish - 2/card)	DS-14	Economy Lock	2	6
U-9983 (Brass - U.L. Listed)	DS-24	Door Viewer (160°)	1	6
U-9989 (Brass plated finish - small card)	DS-3	Security Strike Kit	1	6
U-9990 (Antique brass plated finish - small card)	DS-3	Security Strike Kit	1	6
U-9991 (Antique brass plated finish)	DS-5	Maximum Security Deadbolt Strike	1	10
U-9992 (Antique brass plated finish)	DS-4	Maximum Security Latch Strike	1	10
U-9993 (Antique brass plated finish)	DS-5	Maximum Security Deadbolt Strike	1	10
U-9997 (Aluminum finish)	DS-21	Keyed Bolt Lock	1	6
U-10079 (Brass finish)	DS-24	Door Viewer (Giant Screen)	1	6
U-10080 (Chrome finish)	DS-24	Door Viewer (Giant Screen)	1	6



Large, four-color, "in-use" photos give consumers a clear and unmistakable image of the assembled product.



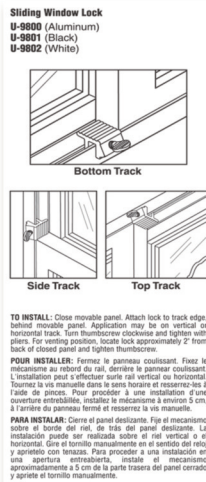
Bright, four-color, reverse-packaging to draw consumer attention.



Concise, trilingual item descriptions for multiple markets.



Clear, reverse-sided blister allows consumer inspection prior to purchase. Trilingual notes explain that instructions are enclosed.



Website address guides consumer to our web pages for more info and assistance.

Additional security items are shown to promote further product sales.

Application illustrations provide consumers with installation options.

Concise, easy-to-follow, trilingual instructions guide the consumer through normal installation.

Dimensioned illustrations provide exact measurements for specialized applications.



The **NEXT** generation of packaging!

- ▶ **Vibrantly colored category designation**
Allows easy recognition between Window, Entry, Patio, Child and Utility Categories
- ▶ **Larger-than-life product photographs**
In-use photography allows easy identification
- ▶ **Colorful application photographs**
Customers see the product in practical applications for identification
- ▶ **Reverse-sealed blister holds product and instructions**
Products are securely sealed in blister packs on the reverse side and include detailed installation instructions

Deadlatch & Deadbolt Accessories

- E-2232** (Brass plated finish - 2 per card)
- E-2233** (Antique brass plated finish - 2 per card)
- E-2234** (Chrome plated finish - 2 per card)
- E-2301** (Stainless steel finish - 2 per card)
- E-2307** (Brass plated finish - 1 per card)
- E-2308** (Antique brass plated finish - 1 per card)
- E-2309** (Chrome plated finish - 1 per card)

Standard Latch Strike

Contents: Strike(s) with 2 (or 4) #8 x 1" Phillips flat head screws.

Description: Steel strike with **adjustable tab**; replaces most residential interior and exterior strikes.

You may wish to stock these related parts: **E-2235, U-9422, U-9424 and U-9486.**

Standard Pack: 10/box

- E-2284** (Brass plated steel)
- E-2299** (Stainless steel finish)
- E-2300** (Bronze 10B finish)
- E-2305** (Polished brass)

Standard "T" Strike (Meets ANSI A156.2)

Contents: 1 strike with (2) #8 x 1" Phillips flat head combination screws.

Description: Used on wood or metal jambs with most grade 2 locksets.

You may wish to stock these related parts: **E-2232, E-2235, U-9422 and U-9486.**

Standard Pack: 10/box

- U-9486** (Brass plated finish)
- U-9487** (Antique brass plated finish)
- U-9488** (Chrome plated finish)

Adjustable Strike

Contents: 2 piece strike with (2) #8 x 3/8" Phillips flat head machine screws and (2) #8 x 1" Phillips flat head screws.

Description: Adjustability provides snug fit of door to jamb, stops rattle, assures engagement of deadlatch function; may be used on residential or commercial frames. Used on **Roberts** redi-frame and **Timely** metal frames.

You may wish to stock these related parts: **E-2232, E-2235, U-9422 and U-9483.**

Standard Pack: 10/box

- U-9483** (Stainless steel)
- U-9484** (Solid polished brass)
- U-9485** (Solid bronze)

Standard A.S.A. Commercial Strike

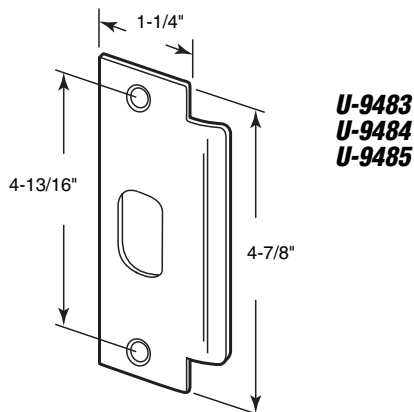
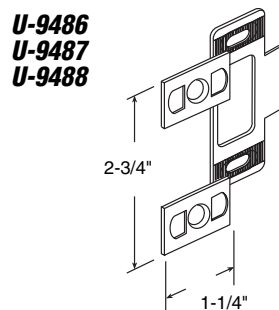
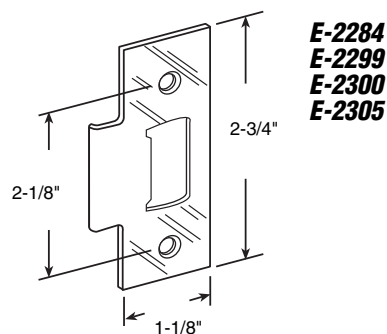
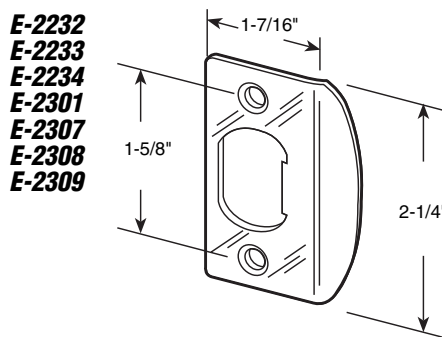
(Meets ANSI A156.2)

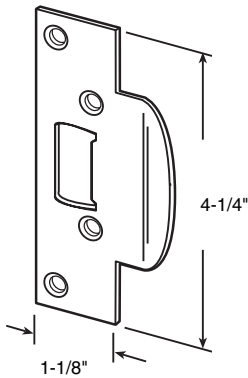
Contents: 1 strike with (2) #12-24 x 1" Phillips flat head combination screws.

Description: Used on wood or metal jambs with most grade 1 locksets.

You may wish to stock these related parts: **E-2232, E-2235, U-9422 and U-9486.**

Standard Pack: 10/box





U-9422
U-9424
U-9474

- U-9422** (Brass plated finish)
- U-9424** (Antique brass plated finish)
- U-9474** (Chrome plated finish)

Security Latch Strike

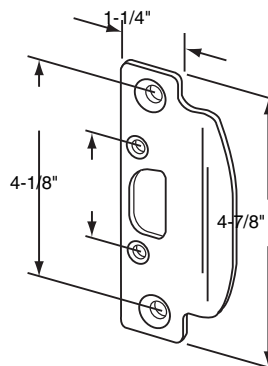
Contents: 1 strike with (2) #8 Phillips flat head screws and (2) #8 x 3" Phillips drywall screws.

Description: Replaces standard strikes and provides improved security with 3" screws attaching to wall stud.

You may wish to stock these related parts: **E-2232, E-2284, U-9486 and U-9483.**

Standard Pack: 10/box

E-2236
E-2291
E-2298



- E-2236** (Brass plated finish)
- E-2291** (Antique brass plated finish)
- E-2298** (Chrome plated finish)

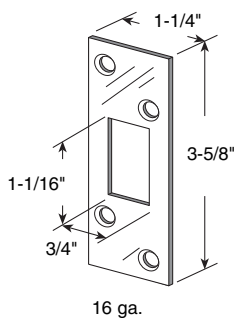
Security Latch Strike (Poly-bagged)

Contents: 1 strike with (2) #8 x 1" Phillips flat head screws and (2) #8 x 3" Phillips drywall screws.

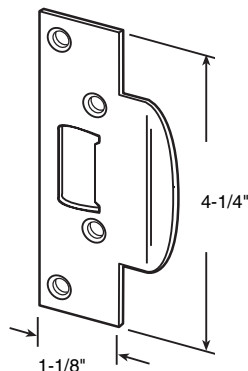
Description: Fits A.N.S.I. cut-out for commercial and residential applications, improves security with 3" long screws attaching to wall stud.

You may wish to stock these related parts: **E-2232, E-2284, U-9486 and U-9483.**

Standard Pack: 10/bag



U-9532
U-9533
U-9534
U-9989
U-9990



- U-9532** (Brass plated finish)
- U-9533** (Antique brass plated finish)
- U-9534** (Nickel plated finish)
- U-9989** (Brass plated finish - small card)
- U-9990** (Antique brass plated finish - small card)

Security Strike Kit (For deadbolt & latch combinations)

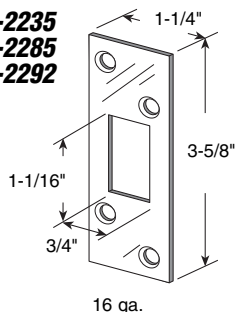
Contents: 2 strikes with (4) #8 x 1" Phillips flat head screws and (4) #8 x 3" Phillips drywall screws.

Description: Allows hole center flexibility in securing combination deadbolt and entry lock installation, improves security with 3" long screws attaching to wall stud.

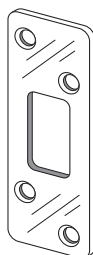
You may wish to stock these related parts: **E-2232, E-2284, U-9486 and U-9483.**

Standard Pack: 10/box

E-2235
E-2285
E-2292



E-2302
E-2303
E-2304



- E-2235** (Brass plated finish - square corner)
- E-2285** (Antique brass plated finish - square corner)
- E-2292** (Chrome plated finish - square corner)
- E-2302** (Brass plated finish - 1/4" radius corner)
- E-2303** (Antique brass plated finish - 1/4" radius corner)
- E-2304** (Chrome plated finish - 1/4" radius corner)

Security Deadbolt Strikes

Contents: 1 strike with (2) #8 x 1" and (2) #8 x 3" Phillips drywall screws.

Description: Plated steel strike replaces most deadbolt strikes for increased security, a result of securing 3" screws to wall stud.

You may wish to stock these related parts: **U-9425 and U-9475.**

Standard Pack: 10/box

Deadlatch & Deadbolt Accessories

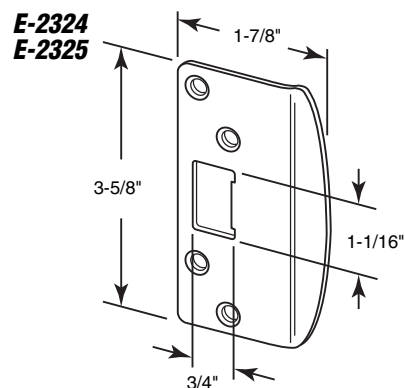
E-2324 (Brass plated finish)
E-2325 (Chrome plated finish)

Continuous Lip Strike

Contents: 1 strike with (2) #8 x 1" Phillips flat head screws and (2) #8 x 3" Phillips drywall screws.

Description: Combination deadlatch and deadbolt strike replaces standard strikes and provides improved security with 3" long screws attaching to wall stud.

You may wish to stock these related parts: **E-2235, U-9426.**



Standard Pack: 10/box

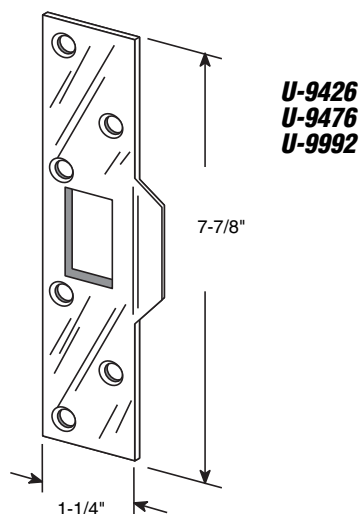
U-9426 (Brass plated finish)
U-9476 (Chrome plated finish)
U-9992 (Antique brass plated finish)

Maximum Security Latch Strike

Contents: 1 strike with (2) #8 x 1" Phillips flat head screws and (4) #8 x 3" Phillips drywall screws.

Description: Strengthens or repairs wood jambs, improves security with 3" long screws attaching to wall stud.

You may wish to stock these related parts: **E-2232, E-2284, U-9486, U-9483.**



Standard Pack: 10/box

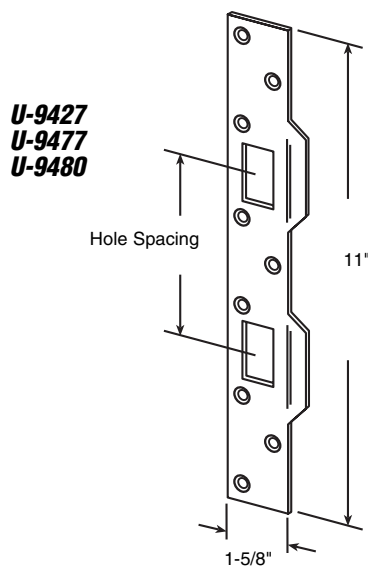
U-9427 (Brass plated finish - 3-5/8" to 4" hole spacing)
U-9477 (Chrome plated finish - 3-5/8" to 4" hole spacing)
U-9480 (Brass plated finish - 5-1/2" to 6" hole spacing)

Maximum Security Combination Strike

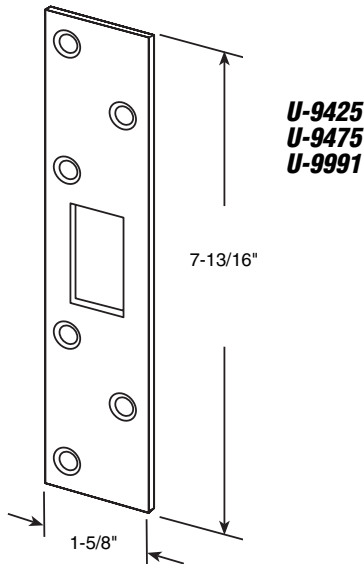
Contents: 1 strike with (3) #8 x 1" Phillips flat head screws and (6) #8 x 3" Phillips drywall screws.

Description: Replaces standard latch and deadbolt strikes with one piece security, repairs or strengthens with 3" long screws that attach to wall stud.

You may wish to stock these related parts: **U-9425, U-9426.**



Standard Pack: 10/box



- U-9425** (Brass plated finish)
- U-9475** (Chrome plated finish)
- U-9991** (Antique brass plated finish)

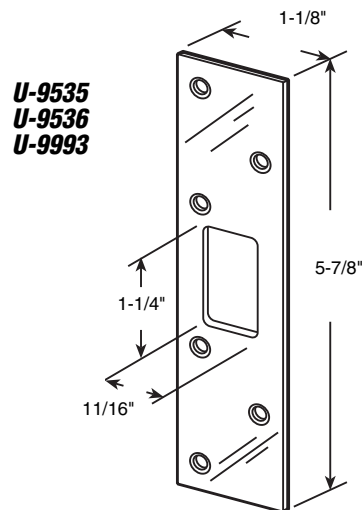
Maximum Security Deadbolt Strike

Contents: 1 strike with (2) #8 x 1" Phillips flat head screws and (4) #8 x 3" Phillips drywall screws.

Description: Strengthens or repairs wood jambs, improves security with 3" long screws attaching to wall stud.

You may wish to stock these related parts: **E-2235** and **U-9426**.

Standard Pack: 10/box



- U-9535** (Brass plated finish)
- U-9536** (Nickel plated finish)
- U-9993** (Antique brass plated finish)

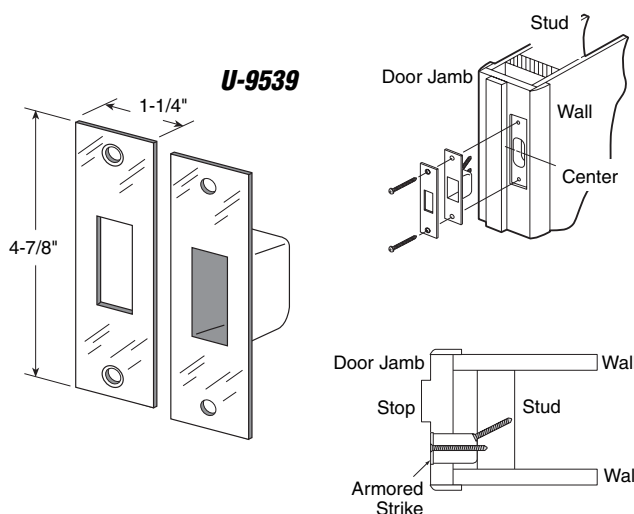
Maximum Security Deadbolt Strike

Contents: 1 strike with (2) #8 x 1" Phillips flat head screws and (4) #8 x 3" Phillips drywall screws.

Description: Strengthens or repairs wood jambs, improves security with 3" long screws attaching to wall stud.

You may wish to stock these related parts: **E-2235** and **U-9425**.

Standard Pack: 10/box



- U-9539** (Brass plated finish)

Armored Security Strike

Contents: 1 box strike; 1 face plate and installation screws.

Description: Zinc and brass plated steel strike and face plate; some mortising required; screws at base of box strike secure to 2" x 4" framing for added security.

You may wish to stock these related parts: **E-2232**, **E 2284**, **U-9486** and **U-9483**.

Standard Pack: 10/box

Lock & Door Reinforcers

Part No.	Finish	Backset	Door Thickness	Reinforcer Width
U-9547	Brass	2-3/8"	1-3/8"	3-7/8"
U-9548	Brass	2-3/8"	1-3/4"	3-7/8"
U-9549	Brass	2-3/4"	1-3/8"	4-5/16"
U-9550	Brass	2-3/4"	1-3/4"	4-5/16"
U-9568	Antique Brass	2-3/8"	1-3/8"	3-7/8"
U-9569	Antique Brass	2-3/8"	1-3/4"	3-7/8"
U-9570	Antique Brass	2-3/4"	1-3/8"	4-5/16"
U-9571	Antique Brass	2-3/4"	1-3/4"	4-5/16"
U-9585	Stainless Steel	2-3/8"	1-3/8"	3-7/8"
U-9586	Stainless Steel	2-3/8"	1-3/4"	3-7/8"
U-9587	Stainless Steel	2-3/4"	1-3/8"	4-5/16"
U-9588	Stainless Steel	2-3/4"	1-3/4"	4-5/16"

Lock & Door Reinforcer

Contents: Solid brass or stainless steel door channel, (2) #10 x 1" combo screws, (2) #10-32 hex nuts, (4) #8 x 5/8" Phillips truss head screws.

Description: Reinforces and repairs doors; assists in preventing forced entry; use on wood or metal doors with mortise or drive-in latches; accommodates key-in-knob locksets or deadbolts; easy to install.

You may wish to stock these related parts: **U-9426, U-9555, U-9556, U-9558, U-9564 and U-9565.**

Standard Pack: 4/box

- Used to secure door when installing locksets.
- Improve integrity of jamb with a security strike.
- Repairs split or damaged doors.
- Solid brass or stainless steel.

Part No.	Finish	Backset	Door Thickness	Reinforcer Width
U-9540	Brass	2-3/8"	1-3/8"	3-7/8"
U-9541	Brass	2-3/8"	1-3/4"	3-7/8"
U-9542	Brass	2-3/4"	1-3/4"	4-5/16"
U-9551	Stainless Steel	2-3/8"	1-3/4"	3-7/8"
U-9552	Stainless Steel	2-3/4"	1-3/4"	4-5/16"

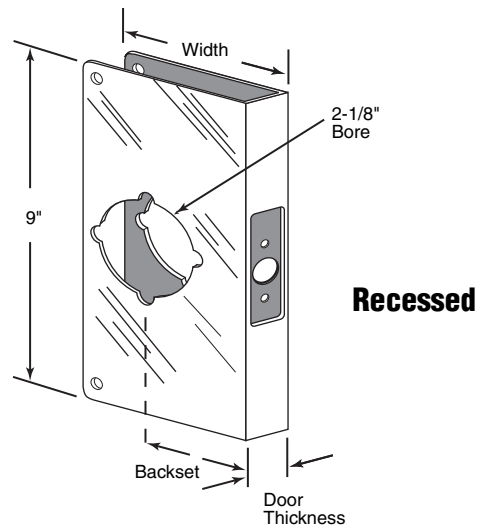
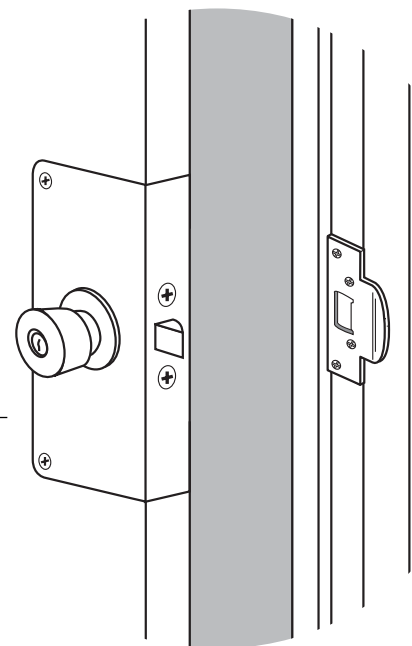
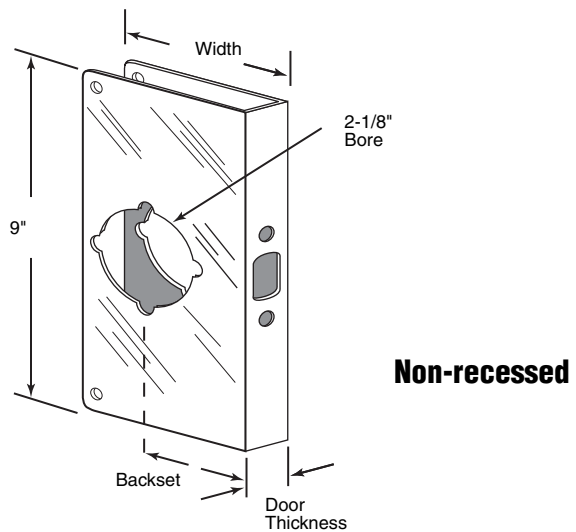
Lock & Door Reinforcer

Contents: Solid brass or stainless steel door channel, (2) #10 x 1" combo screws, (2) #10-32 hex nuts, (4) #8 x 5/8" Phillips truss head screws.

Description: Reinforces and repairs doors; assists in preventing forced entry; use on wood or metal doors with mortise or drive-in latches; accommodates key-in-knob locksets or deadbolts; easy to install.

You may wish to stock these related parts: **U-9426, U-9543, U-9544, U-9545, U-9553 and U-9554.**

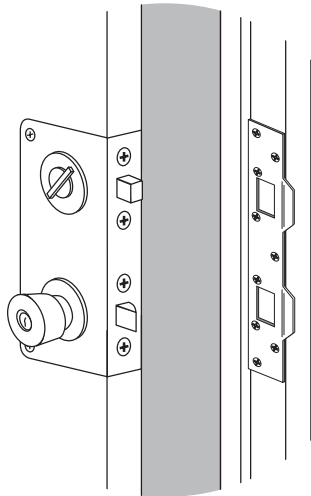
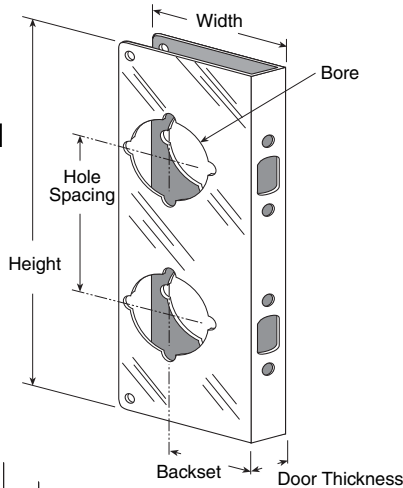
Standard Pack: 4/box



Lock & Door Reinforcers

Part No.	Finish	Bore	Backset	Hole Spacing	Door Thickness	Reinforcer Width	Reinforcer Height
U-9537	Brass	2-1/8"	2-3/8"	5-1/2"	1-3/4"	3-7/8"	10-7/8"
U-9559	Brass	2-1/8"	2-3/8"	3-5/8"	1-3/8"	3-7/8"	9"
U-9560	Brass	2-1/8"	2-3/8"	3-5/8"	1-3/4"	3-7/8"	9"
U-9561	Brass	2-1/8"	2-3/4"	3-5/8"	1-3/4"	4-5/16"	9"
U-9577	Antique Brass	2-1/8"	2-3/8"	3-5/8"	1-3/4"	3-7/8"	9"
U-9594	Stainless Steel	2-1/8"	2-3/8"	3-5/8"	1-3/4"	3-7/8"	9"
U-9595	Stainless Steel	2-1/8"	2-3/4"	3-5/8"	1-3/4"	4-5/16"	9"
U-9977	Brass	1-1/2" & 2-1/8"	2-3/4"	6"	1-3/4"	4-5/16"	10-7/8"

Non-recessed



Combination Lock & Door Reinforcer

Contents: Solid brass or stainless steel door channel, (4) #10 x 1" combo screws, (4) #10-32 hex nuts, (4) #8 x 5/8" Phillips truss head screws.

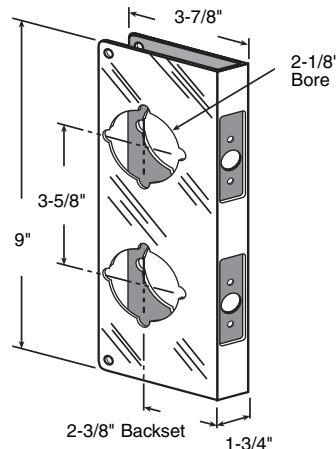
Description: Reinforces and repairs doors; assists in preventing forced entry; use on wood or metal doors with mortise or drive-in latches; accommodates key-in-knob locksets and deadbolts or combination locksets; easy to install.

You may wish to stock these related parts: **U-9427, U-9480, U-9547, U-9548, U-9555 and U-9556.**

Standard Pack: 4/box

- Used to secure door when installing combination lockset and deadbolt.
- Improve integrity of jamb with security strike(s).
- Repairs split or damaged doors.
- Solid brass or stainless steel.

Recessed



U-9546 (Brass)

Combination Lock & Door Reinforcer

Contents: Solid brass door channel, (4) #10 x 1" combo screws, (4) #10-32 hex nuts, (4) #8 x 5/8" Phillips truss head screws.

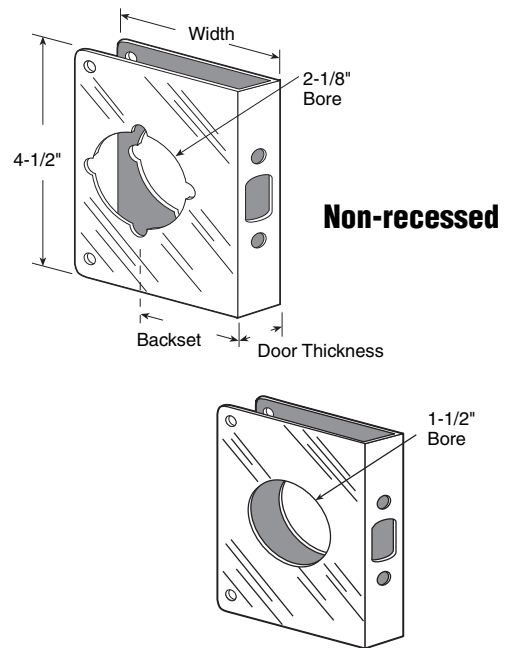
Description: Reinforces and repairs doors; assists in preventing forced entry; use on wood or metal doors with mortise or drive-in latches; accommodates key-in-knob locksets and deadbolts or combination locksets; easy to install.

You may wish to stock these related parts: **U-9427, U-9540, U-9541, U-9551 and U-9553.**

Standard Pack: 4/box

Lock & Door Reinforcers

Part No.	Finish	Bore	Backset	Door Thickness	Reinforcer Width
U-9555	Brass	2-1/8"	2-3/8"	1-3/8"	3-7/8"
U-9556	Brass	2-1/8"	2-3/8"	1-3/4"	3-7/8"
U-9558	Brass	2-1/8"	2-3/4"	1-3/4"	4-5/16"
U-9564	Brass	1-1/2"	2-3/8"	1-3/8"	3-7/8"
U-9565	Brass	1-1/2"	2-3/8"	1-3/4"	3-7/8"
U-9978	Brass	1-1/2"	2-3/4"	1-3/4"	4-5/16"
U-9572	Antique Brass	2-1/8"	2-3/8"	1-3/8"	3-7/8"
U-9573	Antique Brass	2-1/8"	2-3/8"	1-3/4"	3-7/8"
U-9575	Antique Brass	2-1/8"	2-3/4"	1-3/4"	4-5/16"
U-9581	Antique Brass	1-1/2"	2-3/8"	1-3/8"	3-7/8"
U-9582	Antique Brass	1-1/2"	2-3/8"	1-3/4"	3-7/8"
U-9589	Stainless Steel	2-1/8"	2-3/8"	1-3/8"	3-7/8"
U-9590	Stainless Steel	2-1/8"	2-3/8"	1-3/4"	3-7/8"
U-9591	Stainless Steel	2-1/8"	2-3/4"	1-3/8"	4-5/16"
U-9592	Stainless Steel	2-1/8"	2-3/4"	1-3/4"	4-5/16"
U-9598	Stainless Steel	1-1/2"	2-3/8"	1-3/8"	3-7/8"
U-9599	Stainless Steel	1-1/2"	2-3/8"	1-3/4"	3-7/8"



Lock & Door Reinforcer

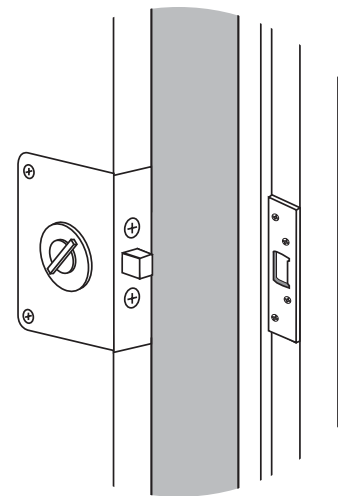
Contents: Solid brass or stainless steel door channel, (2) #10 x 1" combo screws, (2) #10-32 hex nuts, (4) #8 x 5/8" Phillips truss head screws.

Description: Reinforces and repairs doors; assists in preventing forced entry; use on wood or metal doors with mortise or drive-in latches; accommodates key-in knob locksets or deadbolts; easy to install.

You may wish to stock these related parts: **E-2235, E-2285 and E-2292.**

Standard Pack: 4/box

- Used to secure door when installing deadbolts.
- Improve integrity of jamb with a security strike.
- Repairs split or damaged doors.
- Solid brass or stainless steel.



Part No.	Finish	Backset	Door Thickness	Reinforcer Width
U-9543	Brass	2-3/8"	1-3/8"	3-7/8"
U-9544	Brass	2-3/8"	1-3/4"	3-7/8"
U-9545	Brass	2-3/4"	1-3/4"	4-5/16"
U-9553	Stainless Steel	2-3/8"	1-3/4"	3-7/8"
U-9554	Stainless Steel	2-3/4"	1-3/4"	4-5/16"

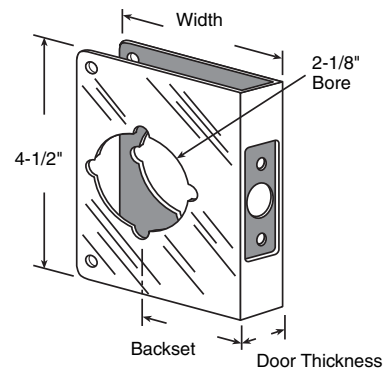
Lock & Door Reinforcer

Contents: Solid brass or stainless steel door channel, (2) #10 x 1" combo screws, (2) #10-32 hex nuts, (4) #8 x 5/8" Phillips truss head screws.

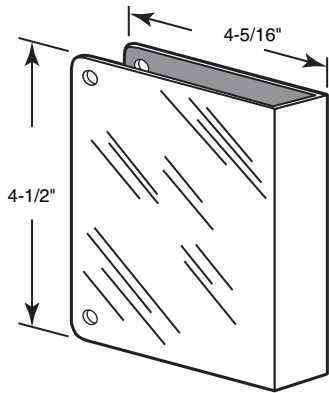
Description: Reinforces and repairs doors; assists in preventing forced entry; use on wood or metal doors with mortise or drive-in latches; accommodates key-in knob locksets or deadbolts; easy to install.

You may wish to stock these related parts: **E-2235 and E-2292.**

Recessed



Standard Pack: 4/box



U-9490
U-9492

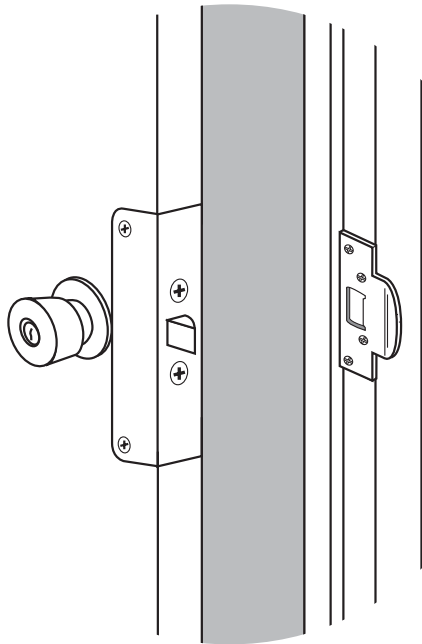
Part No.	Finish	Door Thickness
U-9490	Brass	1-3/4"
U-9492	Stainless Steel	1-3/4"

Blank Reinforcer

Contents: Solid brass or stainless steel door channel; (4) #8 x 5/8" Phillips truss head screws.

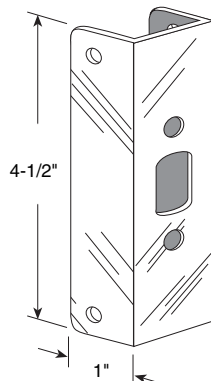
Description: Covers unsightly holes and damage; can be drilled to accommodate specialty locks.

Standard Pack: 4/box



- Used to secure door when installing locksets or deadbolts.
- Improve integrity of jamb with a security strike.
- Repairs split or damaged doors.
- Solid brass or stainless steel.

U-9566
U-9567
U-9583
U-9584
U-9975
U-9976



Part No.	Finish	Door Thickness
U-9566	Brass	1-3/8"
U-9567	Brass	1-3/4"
U-9583	Antique Brass	1-3/8"
U-9584	Antique Brass	1-3/4"
U-9975	Stainless Steel	1-3/8"
U-9976	Stainless Steel	1-3/4"

Door Edge Reinforcer

Contents: Solid brass or stainless steel door channel, (2) #10 x 1" combo screws, (2) #10-32 hex nuts, (4) #8 x 5/8" Phillips truss head screws.

Description: Reinforces and repairs door edge; assists in preventing forced entry; use on wood or metal doors with mortise or drive-in latches; accommodates lockset or deadbolt with any backset; easy to install.

Standard Pack: 4/box

Latch Shields

U-9481 (Aluminum anodized)

U-9482 (Gold anodized)

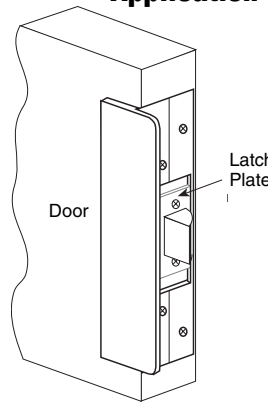
Door Protector (Extruded aluminum)

Contents: Anodized extruded aluminum protector; (4) #6 x 1" Phillip flat head screws

Description: Secures against forced entry; **used on inswing or outswing doors**; requires some mortising, as noted in illustration; mounts to door for outswing application or to door frame for inswing application.

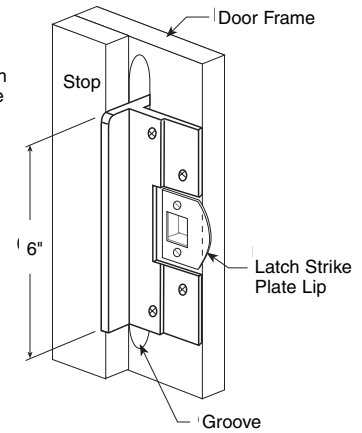
You may wish to stock these related parts: **E-2232, E-2234, U-9486 and U-9488.**

Outswing Application



U-9481
U-9482

Inswing Application



Standard Pack: 6/box

U-9511 (Painted gray - 6")

U-9512 (Brass plated - 6")

U-9513 (Painted gray - 12")

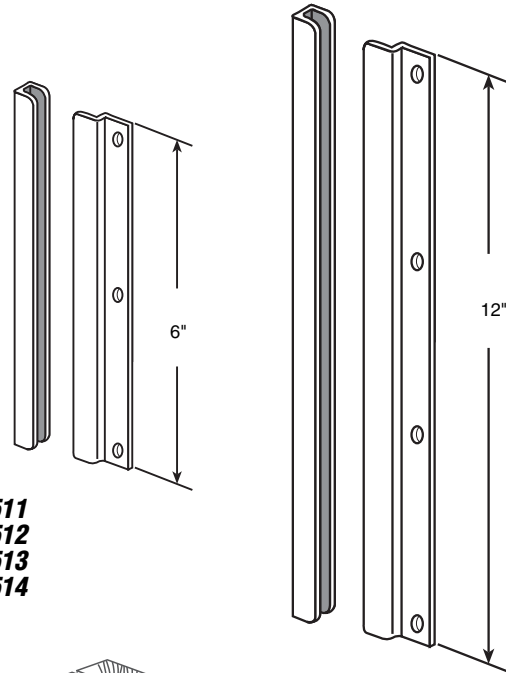
U-9514 (Brass plated - 12")

Latch Shield (Steel)

Contents: Plated or painted steel 2 piece shield (1 door channel and 1 interlocking jamb bar); 3 (4) #10 x 1-1/4" tamper-resistant screws; 2 (4) #8 x 1" Phillips flat head screws and 2 #10 x 3/4" Phillips pan head screws.

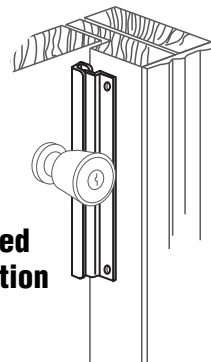
Description: Use on inswing doors; interlocking brackets protect against forced entry; may be applied to wood or metal doors; special fasteners include one-way screws; **requires no mortising.**

You may wish to stock these related parts: **U-9422, U-9425, U-9426, U-9486 and U-9532.**

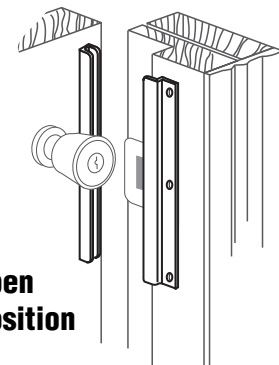


U-9511
U-9512
U-9513
U-9514

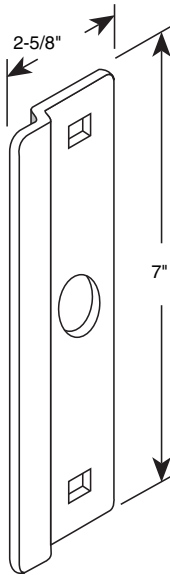
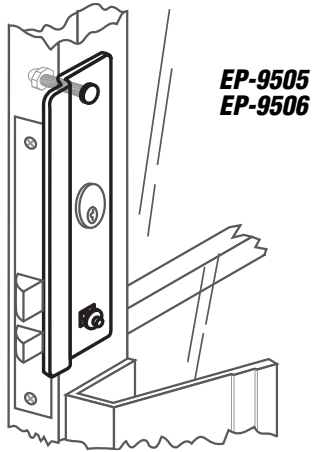
Closed Position



Open Position



Standard Pack: 10/box



EP-9505 (Painted gray - 7")

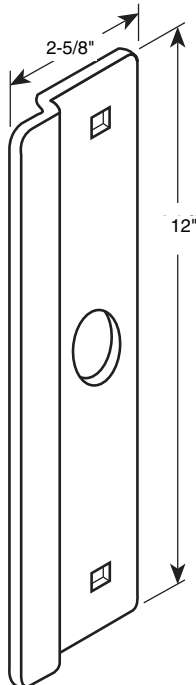
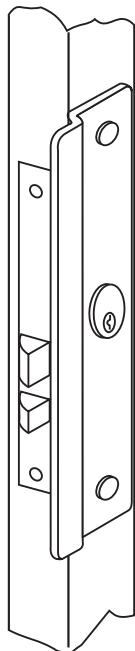
EP-9506 (Painted bronze - 7")

Latch Shield (Poly-bagged)

Contents: Painted steel shield; (1) 5/16" x 2" carriage bolt; cap nut and washer and 1 blind rivet.

Description: For commercial aluminum entrance doors; used with mortise lock installations where handle or push bar prevent shield from spanning lock.

Standard Pack: 6/bag



EP-9507 (Painted gray - 12")

EP-9508 (Painted bronze - 12")

Latch Shield (Poly-bagged)

Contents: Painted steel shield; (2) 5/16" x 2" carriage bolts; washers and cap nuts.

Description: For commercial aluminum entrance doors; used with mortise lock installations to span lock and allow thru-bolt fastening.

Standard Pack: 6/bag

Latch Shields

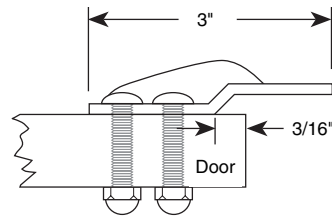
- U-9500** (Painted gray - 7")
- U-9501** (Painted bronze - 7")
- U-9502** (Brass plated - 7")
- U-9503** (Painted gray - 11")
- U-9504** (Painted bronze - 11")

Latch Shield (Steel)

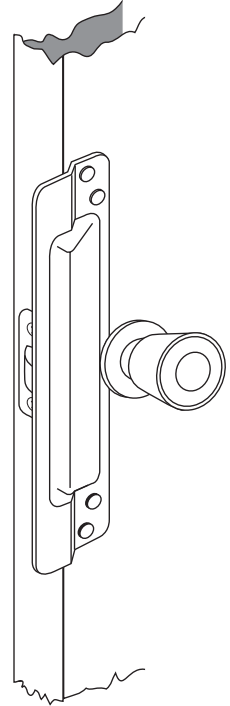
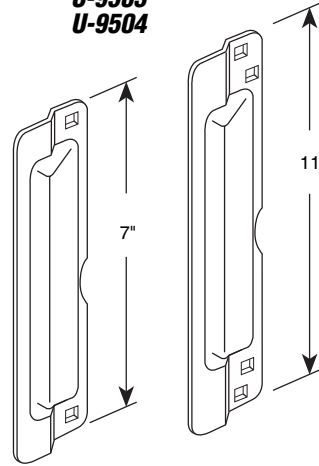
Contents: Painted or plated shield; (2) or (4) 5/16" x 2" carriage bolts; washers and cap nuts.

Description: Secures against forced entry; **used on outswing doors**; for residential, commercial and industrial use.

You may wish to stock these related parts: **E-2232, E-2235, U-9422, U-9425 and U-9426.**



U-9500
U-9501
U-9502
U-9503
U-9504



Standard Pack: 6/box

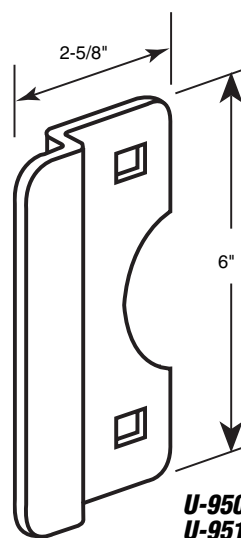
- U-9509** (Painted gray - 6")
- U-9510** (Brass plated - 6")

Latch Shield (Steel)

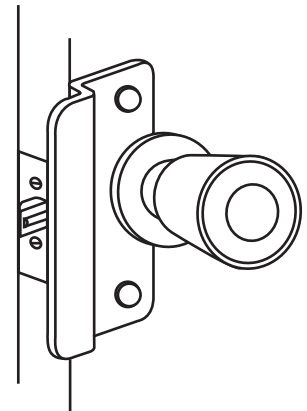
Contents: Painted or plated shield; (2) 5/16" x 2" carriage bolts; washers and cap nuts.

Description: **Used on outswing doors**; designed for use with locksets with 2-3/8" backsets.

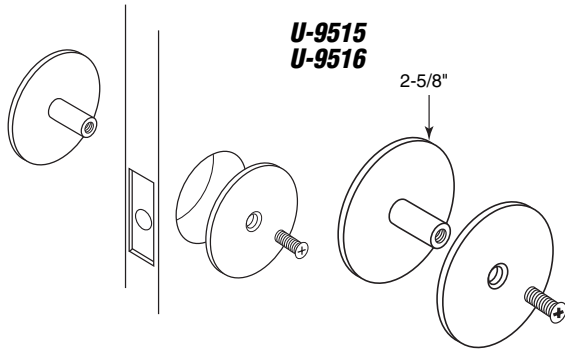
You may wish to stock these related parts: **E-2232, E-2235, U-9422, U-9425 and U-9426.**



U-9509
U-9510

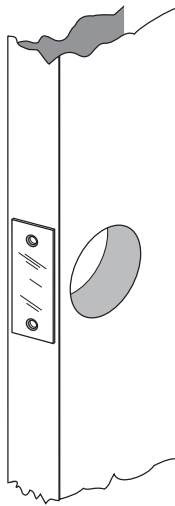


Standard Pack: 6/box



U-9515
U-9516

2-5/8"



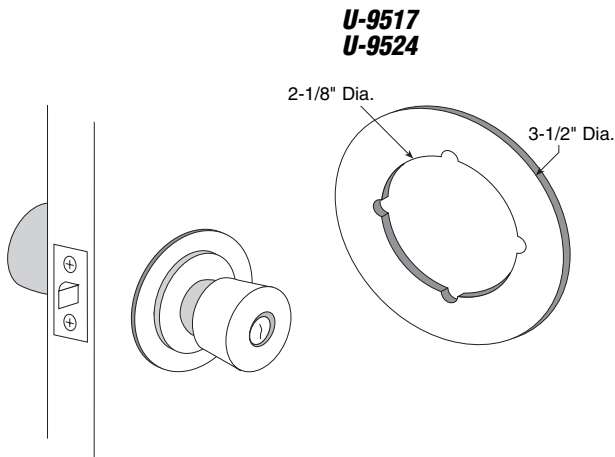
EP-9520
EP-9521

2-1/4"

1"

2-1/4"

1-1/8"



U-9517
U-9524

2-1/8" Dia.

3-1/2" Dia.

U-9515 (Painted gray)

U-9516 (Brass plated)

Hole Cover (Steel)

Contents: Painted or plated cover (2 pieces); (1) #10 x 1" and (1) #10 x 1-1/2" machine screw.

Description: Covers 1/2" to 2-1/8" holes; helps maintain entry security; fits doors to 1-3/4" thick.

You may wish to stock these related parts: **EP-9520**, **EP 9521**, **U-9517** and **U-9521**.

Standard Pack: 6/box

EP-9520 (1" wide)

EP-9521 (1-1/8" wide)

Door Edge Filler Plate (Poly-bagged)

Contents: Painted gray steel filler plate with (2) #8-32 x 1/2" flat head machine screws.

Description: Fills latch face cut-outs for either residential or commercial applications.

Standard Pack: 6/bag

U-9517 (Nickel plated)

U-9524 (Satin brass plated)

Cover Plate (Steel)

Contents: 2 plated covers.

Description: Use with 2-1/8" bore locks; covers marred doors; allows conversion of 2-3/8" to 2-3/4" backset (or 2-3/4" to 2-3/8").

You may wish to stock these related parts: **EP-9520**, **EP 9521**, **U-9515** and **U-9516**.

Standard Pack: 6/box

Window Security

U-9800 (Aluminum finish)

U-9801 (Black finish)

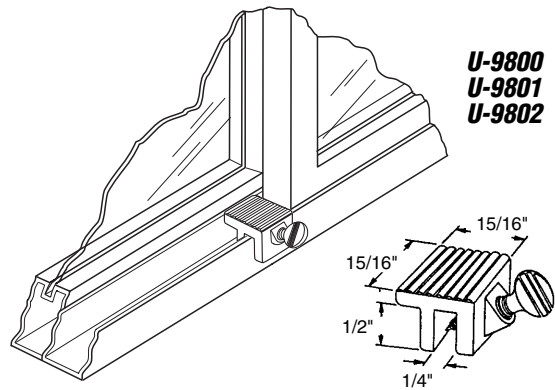
U-9802 (White finish)

Thumbscrew Lock

Contents: 2 locks.

Description: Heavy-duty zinc diecast housing with steel thumbscrew; securely locks window in closed or ventilating position; easy to install.

Standard Pack: 6/box



**U-9800
U-9801
U-9802**

U-9810 (Aluminum finish)

U-9811 (Black finish)

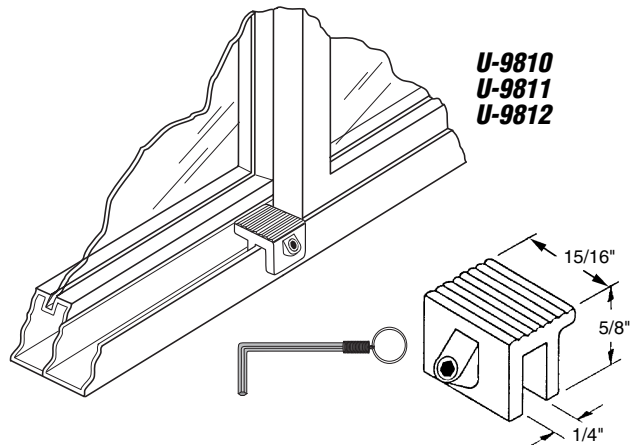
U-9812 (White finish)

Tamper-resistant Lock

Contents: 2 locks & 1 wrench.

Description: Heavy-duty zinc diecast housing with tamper-resistant hex security screw and wrench; securely locks window in closed or ventilating position; prevents accidental opening by children; easy to install.

Standard Pack: 6/box



**U-9810
U-9811
U-9812**

U-9820 (Aluminum finish)

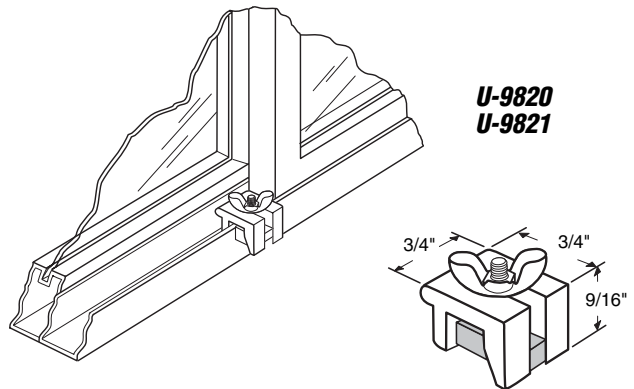
U-9821 (White finish)

No-mar Lock

Contents: 2 locks.

Description: Extruded aluminum with no-mar vinyl insert to protect track; fits wide and narrow type tracks; securely locks window in closed or ventilating position; easy to install.

Standard Pack: 6/box



**U-9820
U-9821**

U-9980 (Aluminum finish - 2/card)

U-9982 (White finish - 2/card)

CCEP-4348* (Aluminum finish - 4/bag)

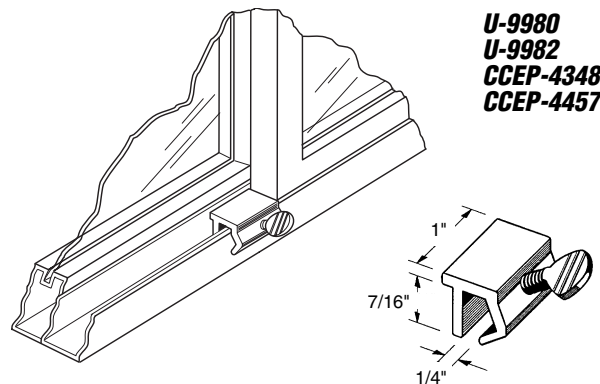
CCEP-4457* (White finish - 4/bag)

Economy Lock

Contents: 2 or 4 locks per package.

Description: Extruded aluminum housing; steel screw; securely locks window in closed or ventilating position; easy to install.

Standard Pack: 6/box

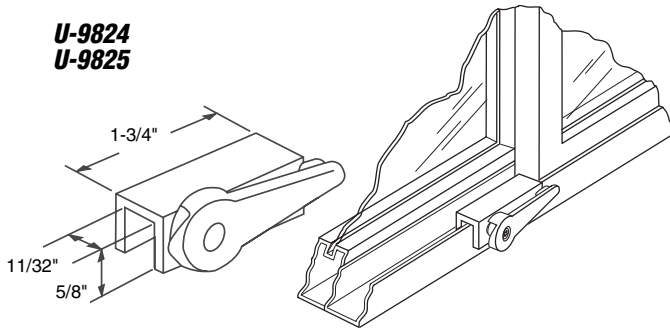


**U-9980
U-9982
CCEP-4348
CCEP-4457**

*Special "Value" pack item; merchandised in cut-case box with product and application illustrations; ideal for counter top or gondola base.

**Standard Pack: 100/box*

U-9824
U-9825



U-9824 (Aluminum finish)
U-9825 (White finish)

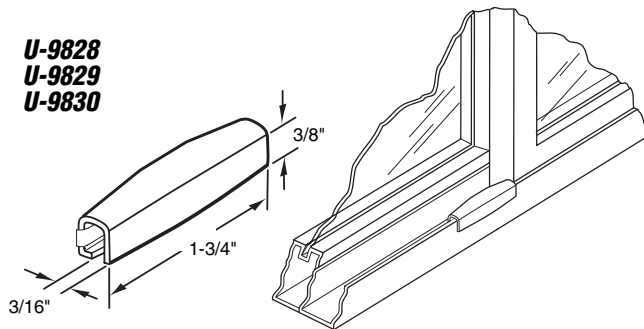
Cam Action Lock

Contents: 1 lock.

Description: Extruded aluminum housing with cam action; securely locks window in closed or ventilating position; **no tools needed** to install; excellent added security when staying in a hotel or motel.

Standard Pack: 6/box

U-9828
U-9829
U-9830



U-9828 (Aluminum finish)
U-9829 (Black finish)
U-9830 (White finish)

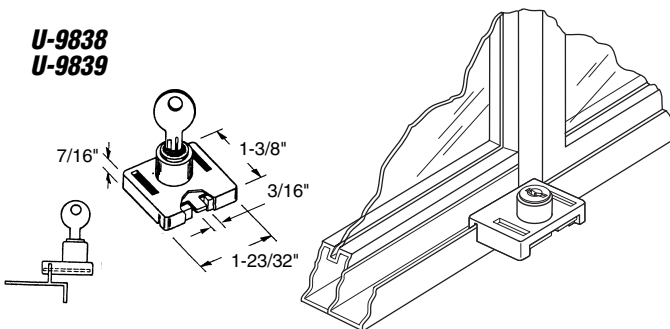
Snap-on Vent Lock

Contents: 2 locks.

Description: Plated and painted steel lock housing; unique "snap-on" device; **no tools required**; excellent for ventilated locking.

Standard Pack: 6/box

U-9838
U-9839



U-9838 (Aluminum finish)
U-9839 (White finish)

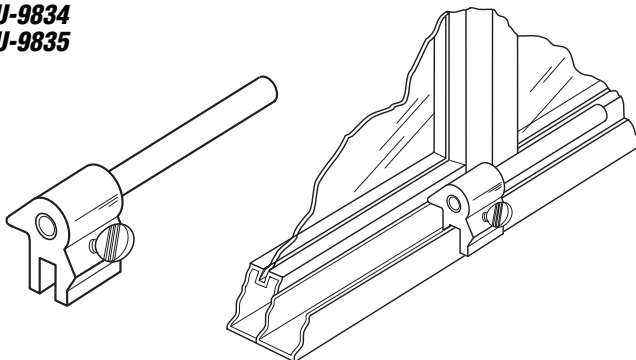
Keyed Lock

Contents: 1 lock & 2 keys.

Description: Painted diecast housing; securely locks window in closed or ventilating position; easy to install.

Standard Pack: 6/box

U-9833
U-9834
U-9835



U-9833 (Aluminum finish)
U-9834 (Black finish)
U-9835 (White finish)

Thumbscrew Bar Lock

Contents: 1 lock.

Description: Extruded aluminum; reversible with anti-lift out bar; securely locks window in closed or ventilating position; easy to install.

Standard Pack: 6/box

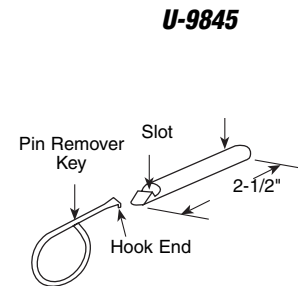
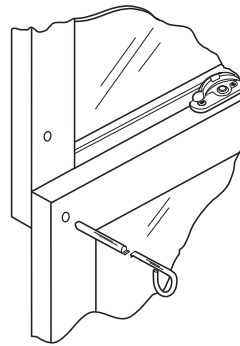
U-9845 (Brass finish)

Wood Sash Pins

Contents: 8 pins & 4 keys.

Description: Steel pins lock window in closed or ventilating position; pin removal key is needed to unlock; recommended for wood sash; easy to install.

Standard Pack: 6/box



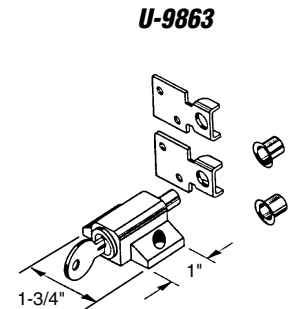
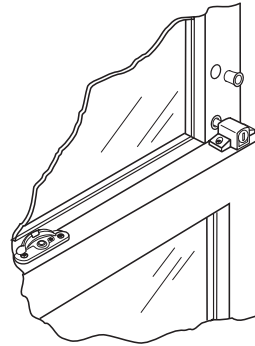
U-9863 (Brass finish)

Keyed Sash Lock

Contents: 1 lock with 2 strikes; 2 ferrules; 2 keys & installation screws.

Description: Hardened steel bolt provides push button locking in closed or ventilating position; unlocks only with key; heavy-duty diecast construction; recommended for wood sash; easy to install.

Standard Pack: 6/box



U-9924 (Brass finish)

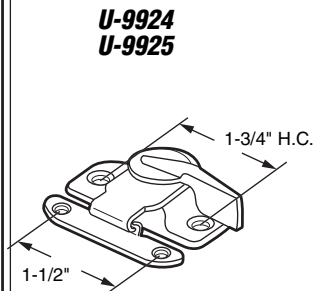
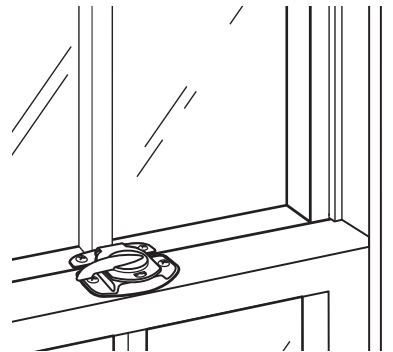
U-9925 (White finish)

Sash Window Lock

Contents: 1 lock; 1 keeper & installation screws.

Description: Cam action sash lock; universal design; stamped steel construction.

Standard Pack: 6/box



U-9927 (Brass finish)

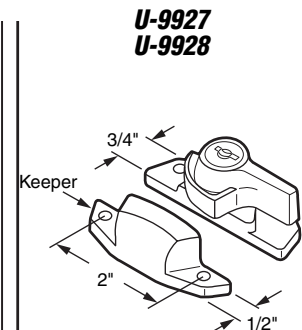
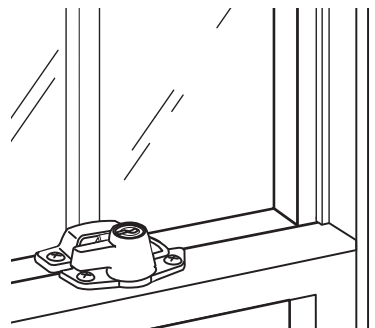
U-9928 (White finish)

Keyed Sash Lock

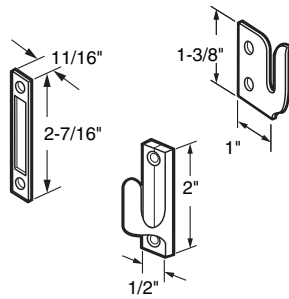
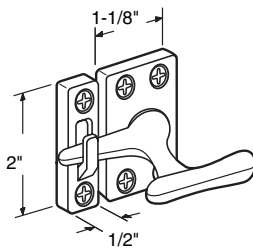
Contents: 1 latch assembly; 1 keeper; 2 key & installation screws.

Description: For aluminum, vinyl or wood double hung windows; unlocks only with key; child-proof; heavy zinc diecast construction.

Standard Pack: 6/box



U-9935
U-9936



U-9935 (Brass finish)
U-9936 (White finish)

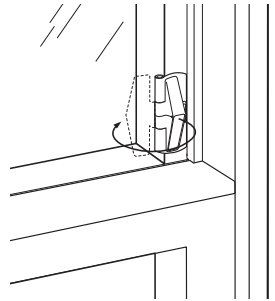
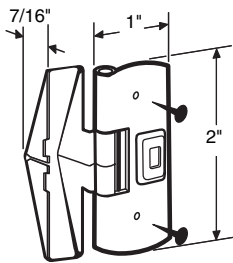
Casement Window Sash Lock

Contents: 1 latch; 3 keeper assortment & installation screws.

Description: Diecast locking handle has 3 different keepers for special mounting applications; used on old style wood casement windows.

Standard Pack: 6/box

U-9938



U-9938 (Brass finish)

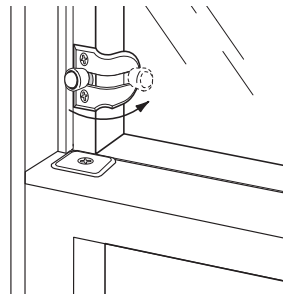
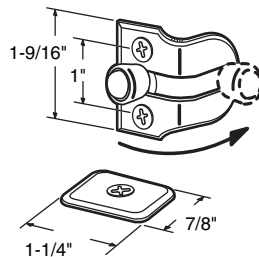
Wood Window Flip Lock

Contents: 2 locks & installation screws.

Description: Flip lock mounts on vertical track; stops window in vent position; wedge flips out of the way to allow opening; **plated steel**.

Standard Pack: 6/box

U-9939



U-9939 (Brass finish)

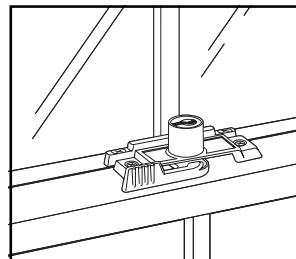
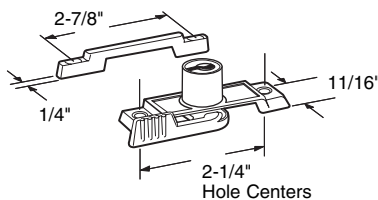
Wood Window Vent Lock

Contents: 2 lock assemblies; 2 strikeplates & installation screws.

Description: **Brass plated steel** sash locks mount onto the edge of the upper window; sliding stud stops opening at a desired location; allows ventilation but prevents entry; easy to install.

Standard Pack: 6/box

U-9932
U-9933



U-9932 (Brass finish)
U-9933 (White finish)

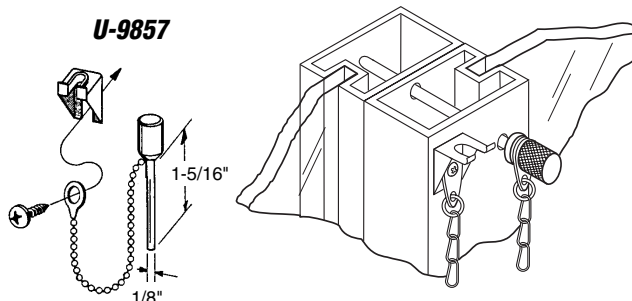
Slim-line Keyed Sash Lock

Contents: 1 lock and keeper; 2 keys and installation screws.

Description: **Plated or painted diecast** sash lock and keeper; readily adapts to narrow styles; key locks for additional security.

Standard Pack: 6/box

U-9857



U-9857 (Chrome finish)

Window Pin Lock

Contents: 1 pin with chain; holder & installation screws.

Description: **Plated, case-hardened steel pin** stores in holder when unlocked; securely locks window in closed or ventilating position; prevents sliding and lifting of window.

Standard Pack: 6/box

Patio Door Security

U-9805 (Aluminum finish)

U-9806 (Black finish)

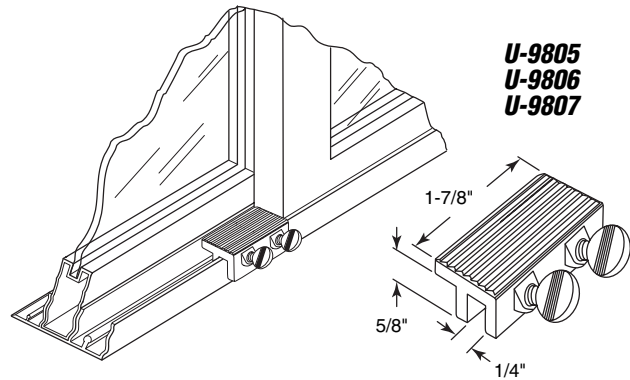
U-9807 (White finish)

Double Thumbscrew Lock

Contents: 1 lock.

Description: heavy-duty cast aluminum with double thumbscrew; additional gripping power securely locks window in closed or ventilating position; easy to install.

Standard Pack: 6/box



U-9815 (Aluminum finish)

U-9816 (Black finish)

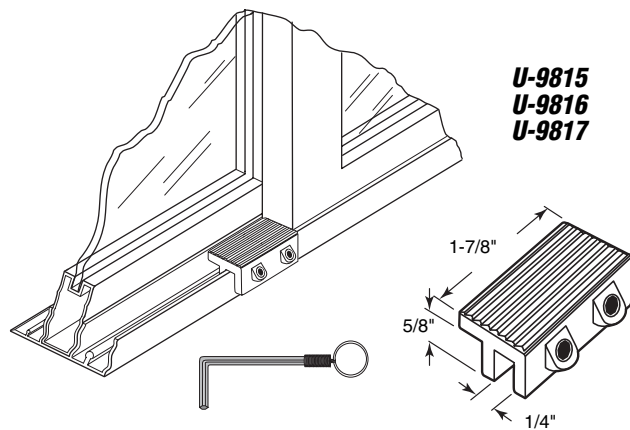
U-9817 (White finish)

Tamper-resistant Lock

Contents: 1 lock & 1 wrench.

Description: Heavy-duty cast aluminum with tamper-resistant double hex security screw and wrench; additional gripping power securely locks window in closed or ventilating position; prevents accidental opening by children; easy to install.

Standard Pack: 6/box



U-9848 (Zinc finish)

U-9849 (Black finish)

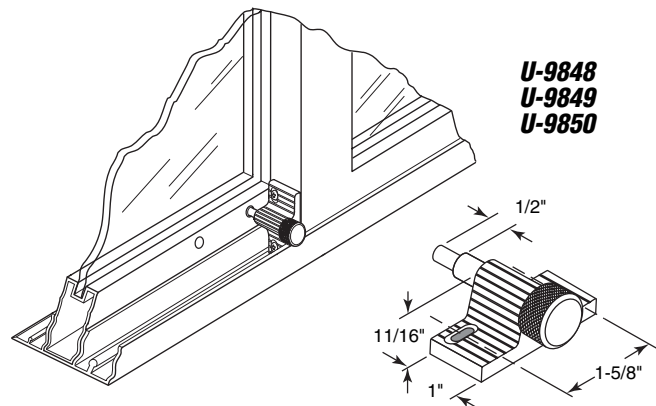
U-9850 (White finish)

Twist-in Lock

Contents: 1 lock & 2 installation screws.

Description: Zinc plated and painted Zamac cast housing with twist-in action; aluminum bolt securely locks door in closed or ventilating position; prevents sliding and lifting of door.

Standard Pack: 6/box



U-9861 (Aluminum finish)

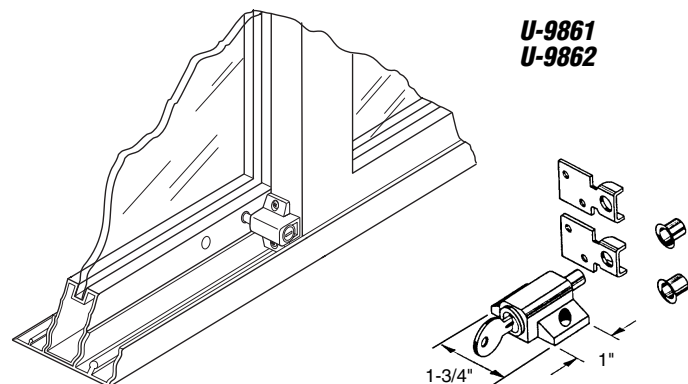
U-9862 (White finish)

Push-in Keyed Lock

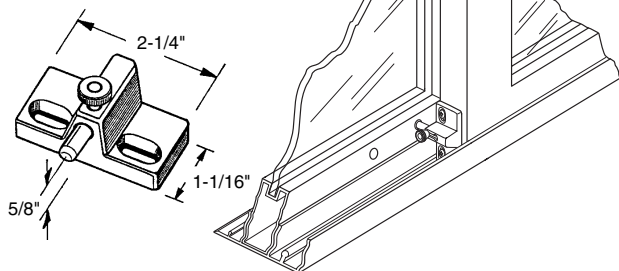
Contents: 1 lock with 2 strikes, 2 ferrules; 2 keys & installation screws.

Description: Painted diecast case with hardened steel bolt for push button locking; unlocks only with key; prevents prying or lifting of door; heavy-duty construction.

Standard Pack: 6/box



U-9866
U-9867



U-9866 (Aluminum finish)
U-9867 (White finish)

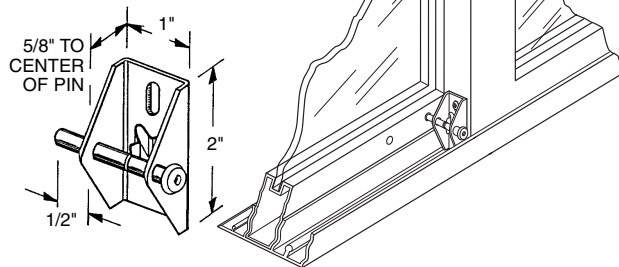
Slide Bolt Lock

Contents: 1 lock & 2 installation screws.

Description: Diecast painted housing with case-hardened steel bolt securely locks door in closed or ventilating position; prevents sliding or lifting of door.

Standard Pack: 6/box

U-9853
U-9854
U-9855



U-9853 (Aluminum finish)
U-9854 (Black finish)
U-9855 (White finish)

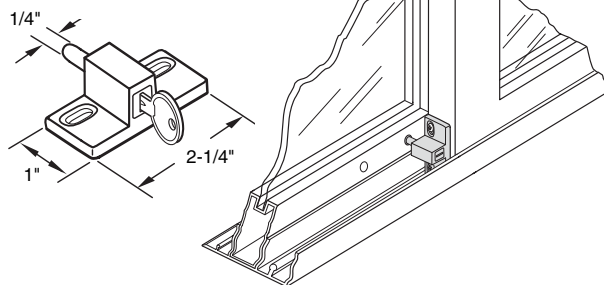
Push/Pull Lock

Contents: 1 lock & 2 installation screws.

Description: Painted heavy gauge steel housing with hardened steel pin; securely locks door in closed or ventilating position; two position push/pull action prevents accidental lockout; also prevents sliding or lifting of door.

Standard Pack: 6/box

U-9870
U-9871



U-9870 (Aluminum finish)
U-9871 (Black finish)

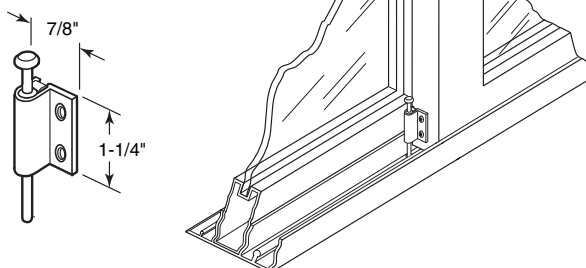
Push-in Keyed Lock

Contents: 1 lock & 2 installation screws.

Description: Painted diecast housing with steel bolt for push button locking; unlocks only with key; prevents prying or lifting of door.

Standard Pack: 6/box

U-9874



U-9874 (White finish)

Push/Pull Lock

Contents: 1 lock & 2 installation screws per card.

Description: Painted diecast housing with steel bolt; securely locks door in closed or ventilating position.

Standard Pack: 6/box

Patio Door Security

U-9877 (Aluminum finish)

U-9878 (Black finish)

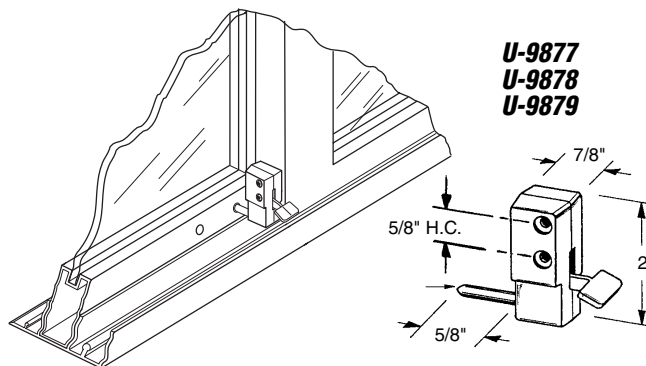
U-9879 (White finish)

Step-on Lock

Contents: 1 lock & installation screws.

Description: Painted **diecast housing** with **hardened steel bolt**; securely locks door in closed or ventilating position; convenient foot operation; easy to install.

Standard Pack: 6/box



U-9882 (Aluminum finish)

U-9883 (Black finish)

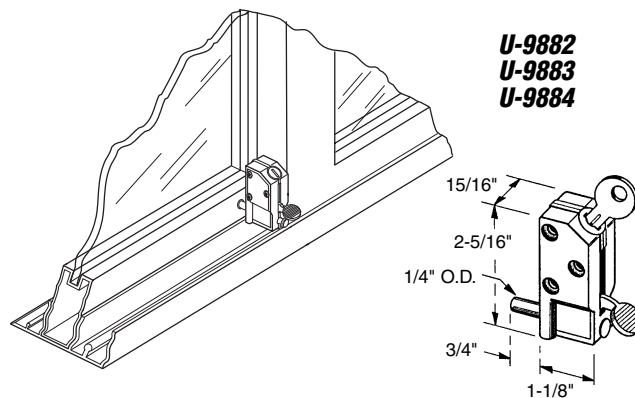
U-9884 (White finish)

Step-on Keyed Lock

Contents: 1 lock with 2 keys & installation screws.

Description: Painted **diecast housing** with **hardened steel bolt**; securely locks door in closed or ventilating position; convenient foot operation of bolt; locks and unlocks with key.

Standard Pack: 6/box



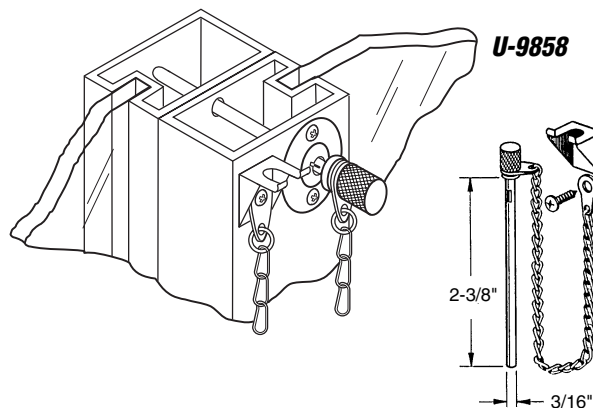
U-9858 (Chrome finish)

Door Pin with Retaining Ring

Contents: 1 pin with chain; retaining cap; holder & installation screws.

Description: **Plated case-hardened steel pin** locks in retaining ring when engaged, stores in holder when unlocked; securely locks door in closed or ventilating position; prevents sliding and lifting of door.

Standard Pack: 6/box



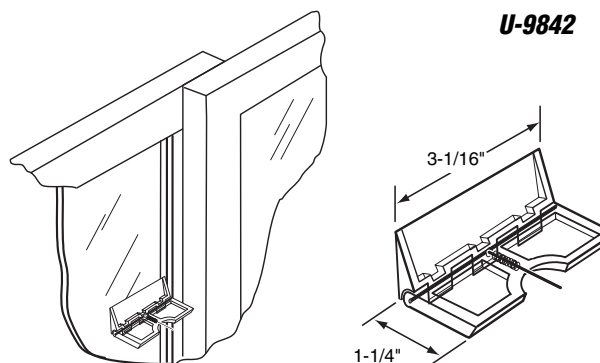
U-9842 (Clear finish)

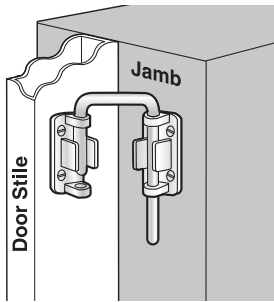
Glass Surface Lock

Contents: 2 locks.

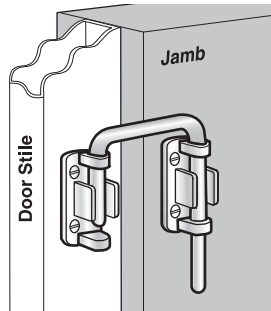
Description: **Clear lucite**; two-piece hinged assembly with spring loaded plunger lock; **clear adhesive backing**; securely locks door in closed or ventilating position; no tools needed to install; inconspicuous when installed.

Standard Pack: 6/box





U-9846



U-9847

U-9846 (Nickel finish - 1-1/8")

U-9847 (Nickel finish - 2-1/8")

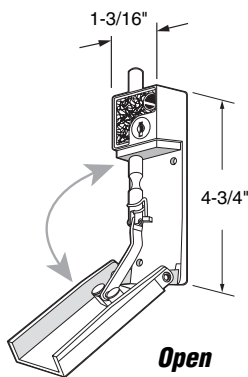
Loop Lock

Contents: Loop lock rod with bracket attached; keeper bracket and installation screws.

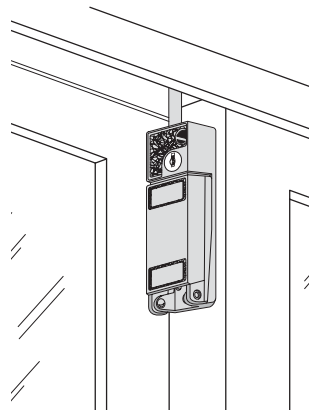
Description: Chrome plated hardened steel locking rod with diecast bracket and keeper; secures door to jamb; two sizes allow flexibility of installation.

Standard Pack: 6/box

U-9997
U-9919



Open



Locked

U-9997 (Aluminum finish)

U-9919 (White finish)

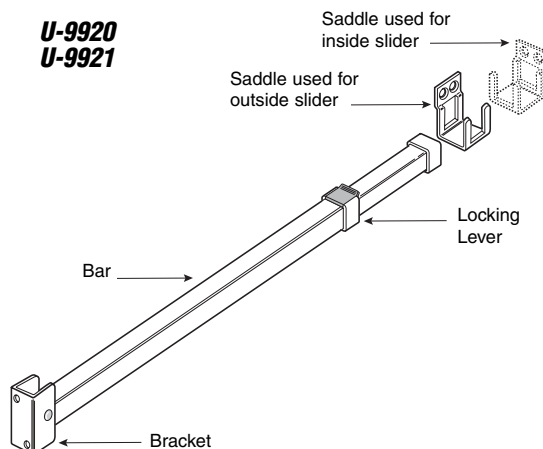
Keyed Bolt Lock

Contents: 1 locking assembly and installation screws.

Description: Painted diecast assembly; throw bolt may be manually locked or key locked; prevents forced entry; may be locked in ventilating position.

Standard Pack: 6/box

U-9920
U-9921



U-9920 (Aluminum finish)

U-9921 (White finish)

Security Bar Lock

Contents: 1 bar; locking saddle & installation screws.

Description: Clear anodized and painted telescopic aluminum bar accommodates 28" to 48" wide inside and outside sliding patio doors; no cutting required; easy to install.

Standard Pack: 6/box

Entry Door Security

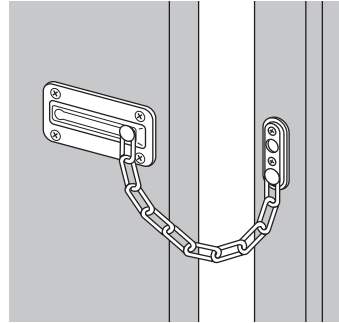
U-9905 (Brass finish)
U-9908 (Chrome finish)

Chain Door Guard

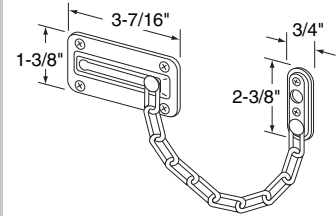
Contents: 1 chain lock with keeper & installation screws.

Description: Plated steel keepers and steel chain secures door while allowing viewing and ventilation; easy to install.

Standard Pack: 6/box



U-9905
U-9908



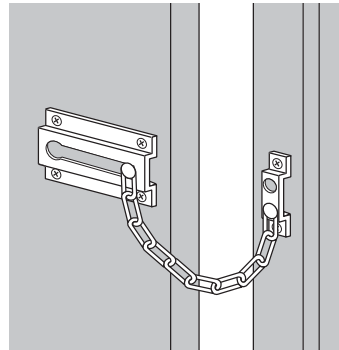
U-9907 (Brass)
U-9909 (Dull chrome)

Chain Door Guard

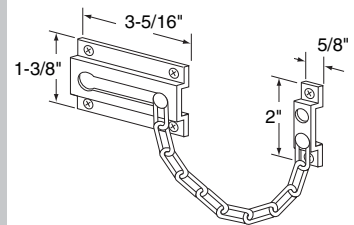
Contents: 1 chain lock with keeper & installation screws.

Description: Solid brass keepers with steel chain secures door while allowing viewing and ventilation; easy to install.

Standard Pack: 6/box



U-9907
U-9909



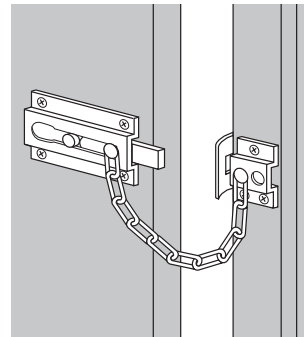
U-9910 (Brass finish - steel with bolt)
U-9911 (Brass finish - solid brass with bolt)

Chain Door Guard (with bolt)

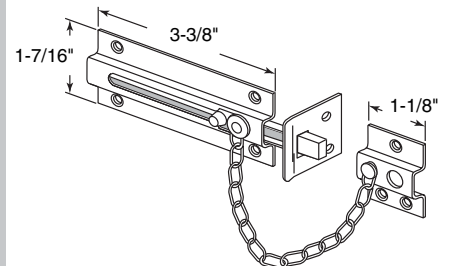
Contents: 1 chain lock with bolt & installation screws.

Description: Use of chain secures door while allowing viewing and ventilation; sliding bolt secures closed door and allows unlocking from inside only.

Standard Pack: 6/box



U-9910
U-9911



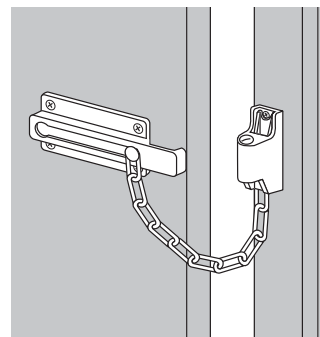
U-9912 (Brass finish)

Chain Door Guard (keyed)

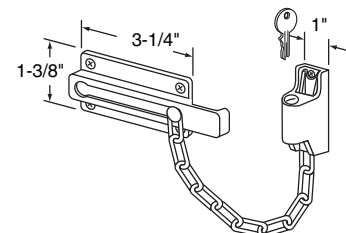
Contents: 1 chain lock; 2 keys & installation screws.

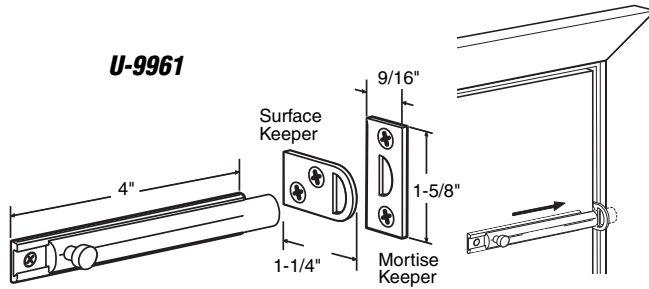
Description: Plated steel chain and diecast keepers secures door while allowing viewing and ventilation; can be unlocked with key from outside or inside; bolt slides into keyed mechanism to lock.

Standard Pack: 6/box



U-9912





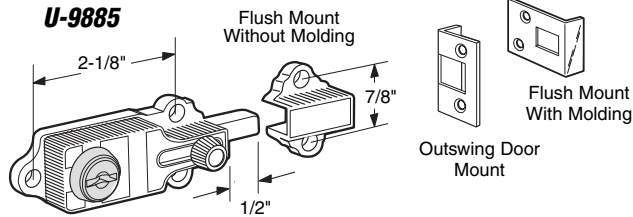
U-9961 (Solid brass)

4" Surface Bolt

Contents: 1 slide bolt; 2 keepers and installation screws.

Description: Slide bolt surface mounts to face of door; two keepers allow for surface or mortise frame installation.

Standard Pack: 6/box



U-9885 (Brass finish)

Keyed Deadbolt Lock

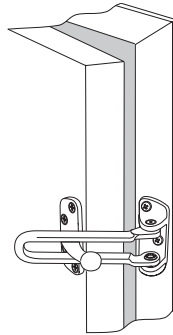
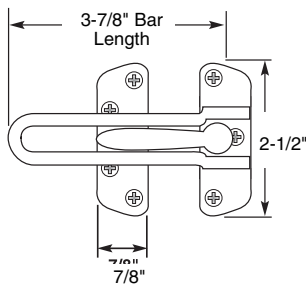
Contents: 1 lock; 3 keepers and installation screws.

Description: Plated diecast lock is key locked from inside; 3 keepers offer flexible mounting for both inswing and outswing doors.

Standard Pack: 6/box

U-9897
U-9899
U-9900

U-9901
U-9902



U-9897 (Brass finish)

U-9899 (Antique brass finish)

U-9900 (Chrome finish)

U-9901 (Brushed chrome finish)

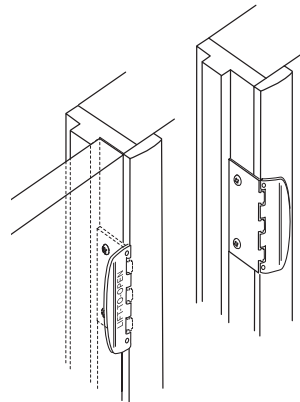
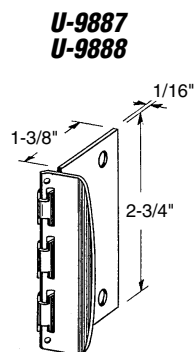
U-9902 (White finish)

Door Guard

Contents: 1 swing loop keeper; 1 bar lock & installation screws.

Description: Plated or painted heavy metal casting secures door while allowing 2" of viewing or ventilation; easy to install.

Standard Pack: 6/box



U-9887
U-9888

U-9887 (Brass finish)

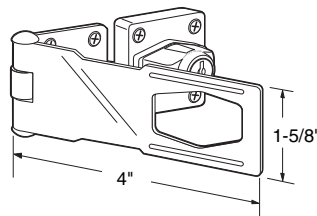
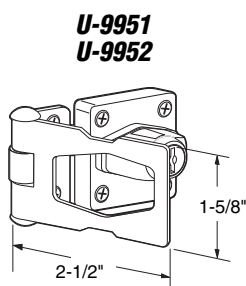
U-9888 (White finish)

Flip Door Lock

Contents: 1 lock & installation screws.

Description: Plated or painted steel privacy lock; flip action to lock or unlock; no mortising required; easy to install.

Standard Pack: 6/box



U-9951
U-9952

U-9951 (4")

U-9952 (2-1/2")

Keyed Hasp

Contents: 1 hasp; 1 locking mechanism and installation screws.

Description: Chrome plated steel hasp hinges over diecast locking mechanism; twist keyed knob to lock and use key to unlock; hasp covers screws when in locked position.

Standard Pack: 6/box

Entry Door Security

Part #	Finish	View	Bore Diameter
U-9875	Chrome	180°	1/2"
U-9876	Chrome	190°	9/16"
U-9881	Satin Chrome	190° U.L. Listed	9/16"
U-9891	Brass	200° U.L. Listed	9/16"
U-9892	Brass	190°	1/2"
U-9893	Brass	180°	9/16"

Door Viewer

Contents: 1 viewer.

Description: Solid brass housing; glass and plastic lenses; fits 1-3/8" to 2-1/8" thick wood or metal doors; easy to install; glass lens viewers are **U.L. Listed**.

Standard Pack: 6/box

U-9880 (Satin chrome finish - **U.L. Listed**)

U-9895 (Brass)

U-9983 (Brass - **U.L. Listed**)

Door Viewer (160°)

Contents: 1 viewer.

Description: Solid brass housing; glass and plastic lenses; fits 1-3/8" to 2" thick wood or metal doors; easy to install; glass lens viewers are **U.L. Listed**.

Standard Pack: 6/box

U-9896 (Brass)

Door Viewer (160°)

Contents: 1 viewer.

Description: Solid brass end caps with diecast threaded housing; glass lens; fits 1-1/2" to 2-1/8" thick wood or metal doors; easy to install.

Standard Pack: 6/box

U-9915 (Gold finish)

U-9916 (Bronze finish)

U-9917 (White finish)

U-9918 (Gray finish)

U-10079 (Vacumm plated - brass)

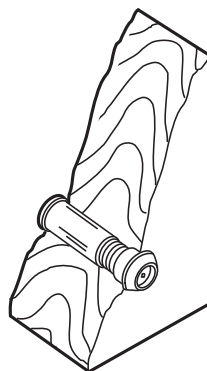
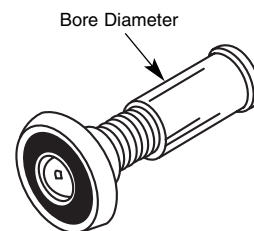
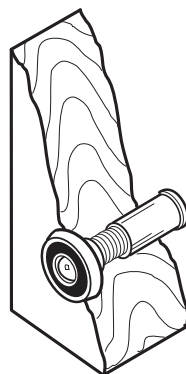
U-10080 (Vacumm plated - chrome)

Door Viewer

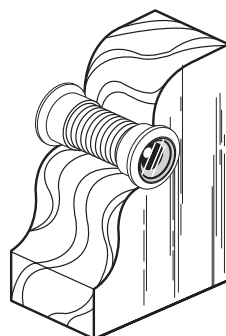
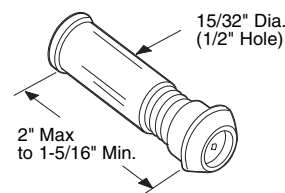
Contents: 1 viewer.

Description: High-impact plastic housing requires 1-3/4" hole; "clear image" prism construction allows arms length viewing with nearly 2" of giant screen viewing; fits 1-3/8" to 2" thick wood or metal doors; prism image is a reversed and mirrored image.

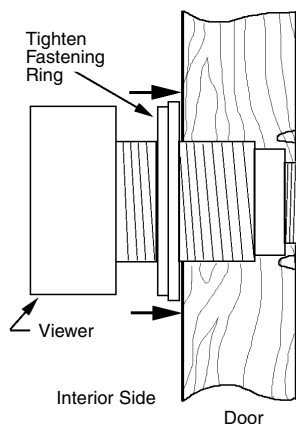
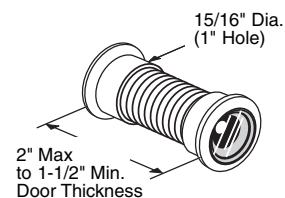
Standard Pack: 4/box



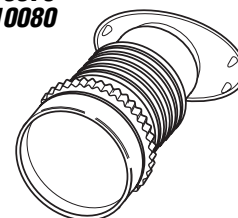
U-9880
U-9895
U-9983

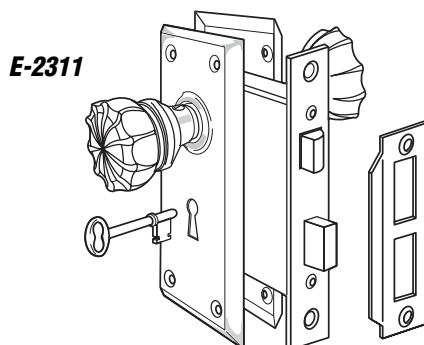
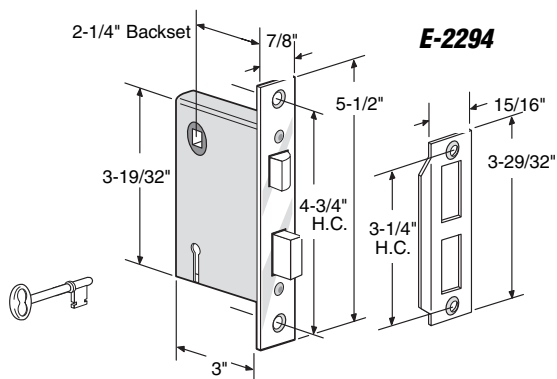
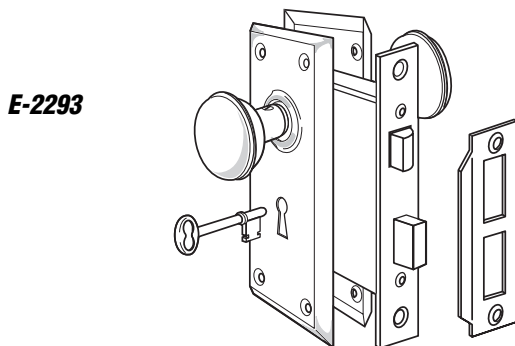
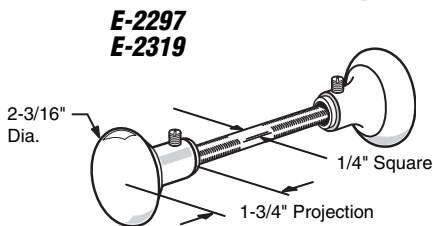
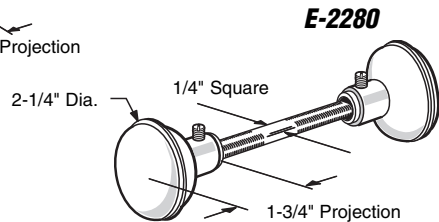
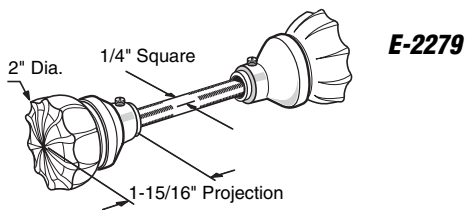


U-9896



U-9915
U-9916
U-9917
U-9918
U-10079
U-10080





- E-2279** (Glass-brass plated base - **standard pack:** 6 per box)
- E-2280** (Brass plated - steel - **standard pack:** 6 per box)
- E-2297** (Brass - **standard pack:** 5 per box)
- E-2319** (White painted - steel - **standard pack:** 5 per box)

Knobs

Contents: 2 knobs and 1 spindle.

Description: Glass, brass, brass plated and painted steel knobs as used on various exterior and interior locksets

You may wish to stock these related parts: **E-2282, E-2293, E-2294, E-2295 and E-2311.**

E-2293 (Brass finish)

Mortise Lock Set (Keyed)

Contents: 1 mortise caselock assembly; 2 knobs; 2 trim plates; strike plate and installation screws.

Description: Polished brass finish; case-hardened steel case; lock bolt is key activated both inside and outside.

You may wish to stock these related parts: **E-2280, E-2294, E-2295 and E-2311.**

Standard Pack: 5/box

E-2294

Mortise Lock Assembly (Keyed)

Contents: 1 mortise caselock assembly; strike plate and installation screws.

Description: Mortise caselock with brass plated faceplate; case-hardened steel case; spindle hole accommodates 1/4" to 5/16" square shaft.

You may wish to stock these related parts: **E-2293, E-2295 and E-2311.**

Standard Pack: 6/box

E-2311 (Brass finish - glass handles)

Mortise Lock Set (Keyed)

Contents: 1 mortise caselock assembly; 2 knobs; 2 trim plates strike plate and installation screws.

Description: Glass knobs with brass plated steel trim plates; case-hardened steel case; lock bolt is key activated both inside and outside.

You may wish to stock these related parts: **E-2279, E-2281, E-2294, E-2295.**

Standard Pack: 6/box

- E-2282** (2-1/4"-brass)
- E-2320** (2-1/4"-white)
- E-2296** (3"-brass - w/2-3/16" hole centers)

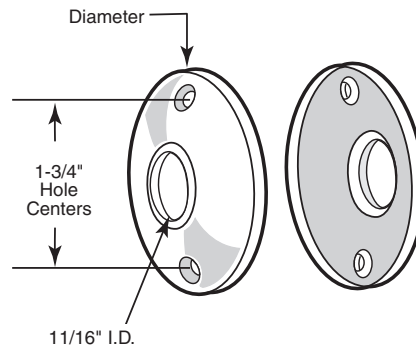
Door Knob Rosettes

Contents: 2 rosettes & installation screws.

Description: Plated and painted steel rosettes; screw mounted on door; for old style passage locks.

You may wish to stock these related parts: **E-2279, E-2280 and E-2281.**

Standard Pack: 6/box



E-2282
E-2320
E-2296

- E-2295** (Brass finish)

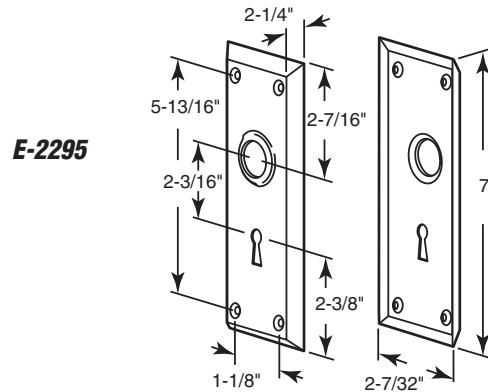
Door Escutcheon Plates

Contents: 1 inside and 1 outside escutcheon plate & installation screws.

Description: Brass plated steel plates; repair parts for E-2293.

You may wish to stock these related parts: **E-2293, E-2294 and E-2311.**

Standard Pack: 6/box



E-2295

- E-2317** (Glass knob with brass rosette)

- E-2318** (White painted - steel)

- E-2321** (Brass)

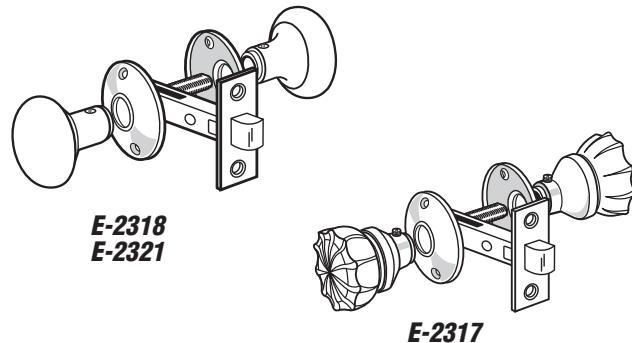
Passage Door Latch Set

Contents: 1 passage door latch; 1 spindle; 2 knobs; 2 rosettes and installation screws.

Description: Diecast latch; glass, brass and painted steel knobs; plated and painted rosettes; spindle hole accommodates 1/4" to 5/16" square shaft; use as decorative passage latch for 2-3/8" backset applications.

You may wish to stock these related parts: **E-2293, E-2294 and E-2311.**

Standard Pack: 6/box



E-2318
E-2321

E-2317

- E-2281** (Brass finish)

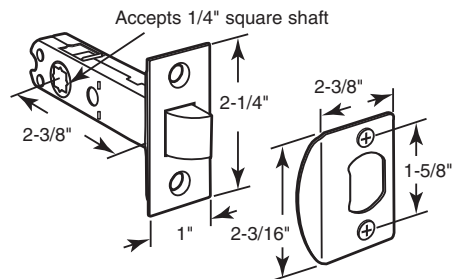
Passage Door Latch

Contents: 1 latch, 1 strike & installation screws.

Description: Diecast latch with brass plated face for old style passage doors; accepts 1/4" square shaft.

You may wish to stock these related parts: **E-2279, E-2280, E-2282, E-2296 and E-2297.**

Standard Pack: 6/box



E-2281

- U-9965** (Kwikset keyway)

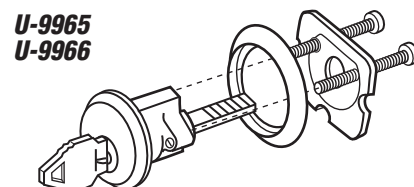
- U-9966** (Schlage keyway)

Rim Cylinder Lock (Brass finish)

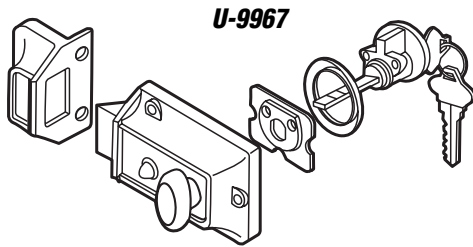
Contents: 1 key cylinder with trim ring and 2 keys; 1 mounting plate and 2 screws.

Description: Heavy-duty zinc diecast housing with brass face and 5 pin tumbler lock.

Standard Pack: 6/box



U-9965
U-9966



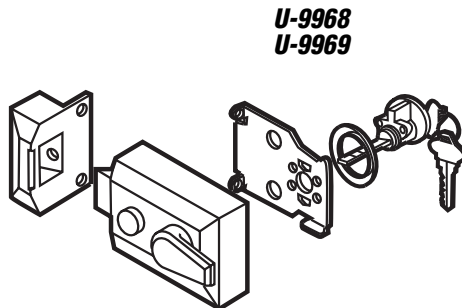
U-9967 (Brass painted finish)

Night Latch & Locking Cylinder

Contents: 1 night latch with locking cylinder and trim ring; 2 keys; 1 mounting plate; 1 keeper and installation screws.

Description: Brass painted diecast locking unit and keeper; hold open feature; spring latch for automatic locking; five pin tumbler cylinder; 1-1/4" bore.

Standard Pack: 5/box



U-9968 (Polished brass finish)

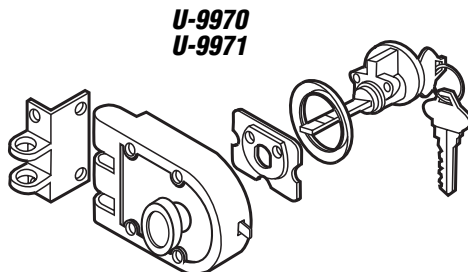
U-9969 (White finish)

Night Latch & Locking Cylinder

Contents: 1 night latch with locking cylinder and trim ring; 2 keys; 1 mounting plate; 1 keeper and installation screws.

Description: Plated and painted diecast locking unit and keeper; contemporary design; hold open feature; spring latch for automatic locking; five pin tumbler cylinder; 1-1/4" bore.

Standard Pack: 5/box



U-9970 (Brass painted finish)

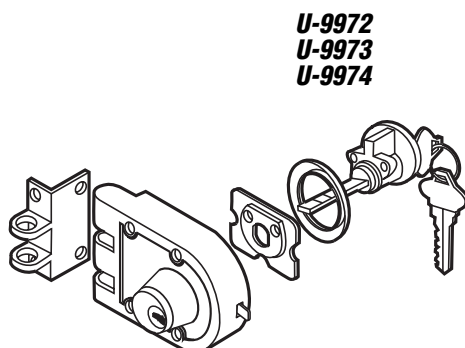
U-9971 (White painted finish)

Jimmy-resistant Deadlock (Single cylinder)

Contents: 1 locking unit with locking cylinder and trim ring; 1 mounting plate; 1 keeper & installation screws.

Description: Painted diecast locking unit and strike; locks door to jamb to prevent forced entry; 5-pin tumbler cylinder; requires a 1-1/4" hole; includes tamper-resistant shutter guard.

Standard Pack: 5/box



U-9972 (Brass painted finish)

U-9973 (White painted finish)

U-9974 (Polished brass & black finish)

Jimmy-resistant Deadlock (Double cylinder)

Contents: 1 locking unit with locking cylinder and trim ring; 1 mounting plate; 1 keeper & installation screws.

Description: Painted and plated diecast locking unit and strike; locks door to jamb to prevent forced entry; double cylinder unit is ideal for doors with glass panes or when located next to a glass side lite; 5-pin tumbler cylinder; requires a 1-1/4" hole; includes tamper-resistant shutter guard.

Standard Pack: 5/box

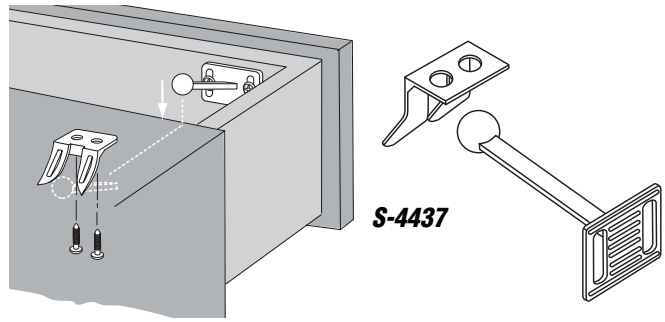
Child Safety

S-4437 (White)

Ball Cabinet Catches

Contents: 2 ball catches; 2 keepers and installation screws.

Description: Plastic catch for use on cabinets and drawers to deter small children's access.



Standard Pack: 6/box

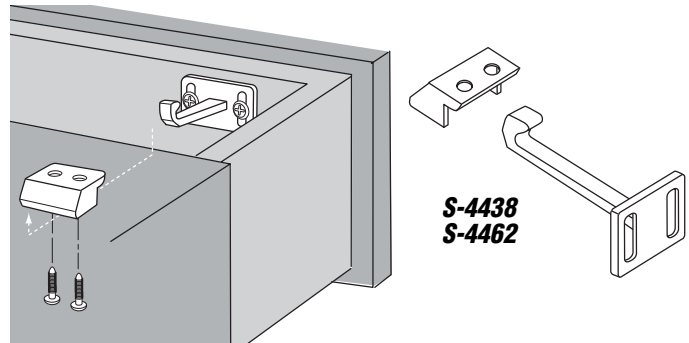
S-4438 (White - 3 pack)

S-4462 (White - 6 piece "Value" pack)

Cabinet Catches

Contents: hook catches; keepers and installation screws.

Description: Plastic catch for use on cabinets and drawers to deter small children's access.



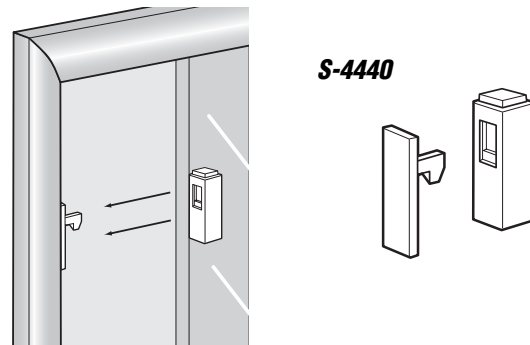
Standard Pack: 6/box

S-4440 (Ivory)

Cabinet Locks

Contents: 2 locks; 2 keepers.

Description: No tools required; plastic lock and keeper have self-adhesive backers; use on sliding cabinet doors.



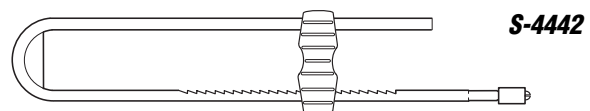
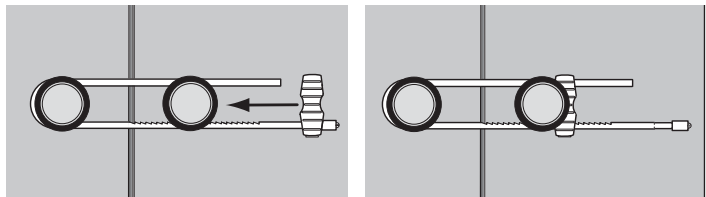
Standard Pack: 6/box

S-4442 (White)

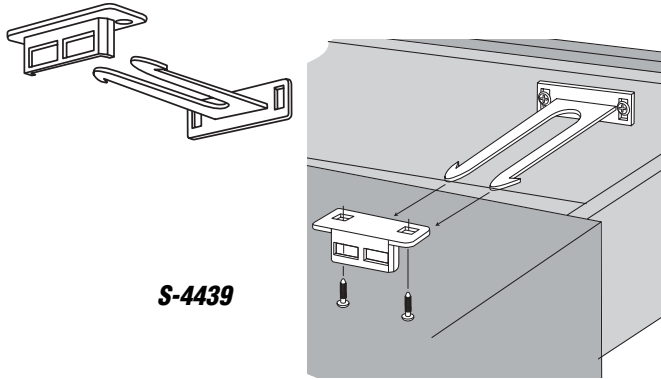
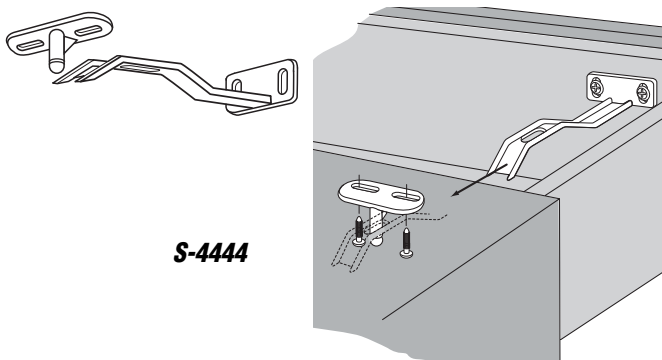
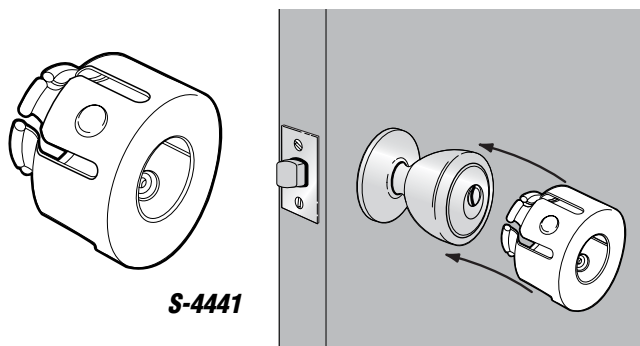
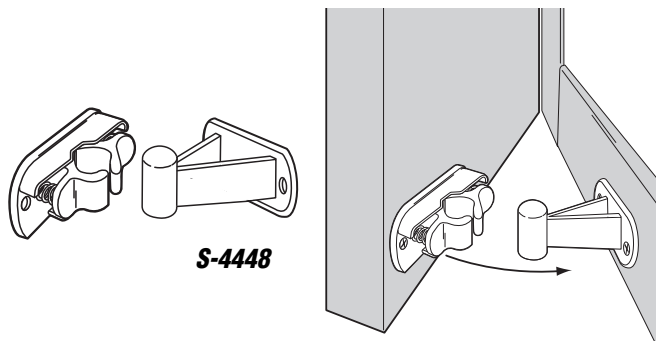
Cabinet Slide Lock

Contents: 2 loop locks and 2 locking mechanisms.

Description: No tools required; plastic lock attaches over knobs or thru pulls on a pair of cabinet doors; ratcheting action holds doors closed; easy removal.



Standard Pack: 6/box

**S-4439****S-4439** (White)**Drawer Catches****Contents:** 3 double hook catches; 3 keepers and installation screws.**Description:** Plastic catch allows drawer or cabinet door to open about 1-1/2"; hooks must be compressed to open.*Standard Pack: 6/box***S-4444****S-4444** (White)**Drawer Catch****Contents:** 3 safety latches; 3 keepers and installation screws.**Description:** Plastic catch offers double protection to toddlers; when engaged, this catch limits accessibility and also protects tiny fingers from being pinched if unit is closed accidentally.*Standard Pack: 6/box***S-4441****S-4441** (White)**Door Knob Covers****Contents:** 2 knob covers.**Description:** Plastic covers may be applied over most door knobs to keep toddlers from gaining entry to off-limit areas.*Standard Pack: 6/box***S-4448****S-4448** (Ivory)**Super Grip Door Holder****Contents:** 1 clasp; 1 door stop and installation screws.**Description:** Plastic door clasp and stop holds door firmly to wall and eliminates unwanted door movement.*Standard Pack: 6/box*

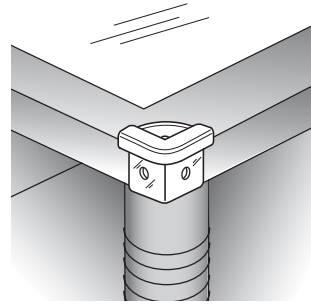
Child Safety

S-4445 (Clear)

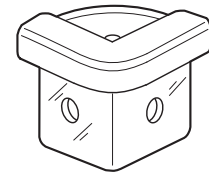
Corner Cushions

Contents: 4 corner cushions.

Description: Plastic cushions, when applied to sharp corners on furniture, can assist in deterring serious injury to small children; NO TOOLS REQUIRED; self adhesive pads facilitate easy installation.



S-4445



Standard Pack: 6/box

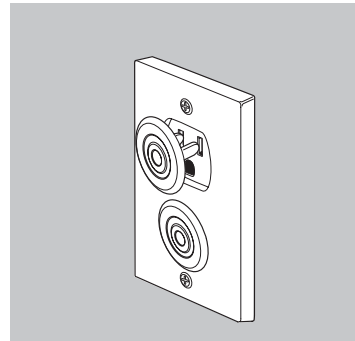
S-4443 (White)

S-4460 (Clear)

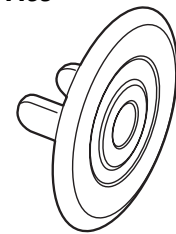
Shock Guards

Contents: 12 guards.

Description: No tools required; plastic guards protect tiny fingers or prying objects from causing electrical shock.



S-4443
S-4460



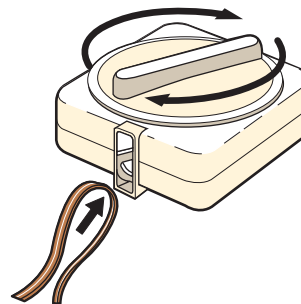
Standard Pack: 6/box

S-4446 (Ivory)

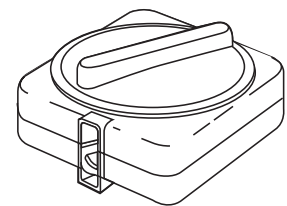
Electrical Cord Shortener

Contents: 1 cord shortener.

Description: Plastic mechanism aids in reducing the chance of tripping over cords by reeling-in excess length.



S-4446



Standard Pack: 6/box

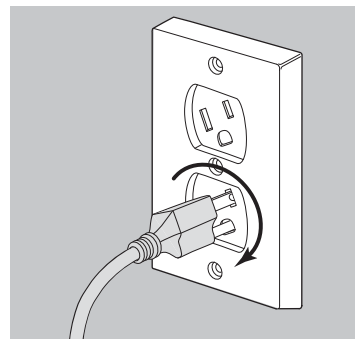
S-4447 (Ivory)

S-4461 (White)

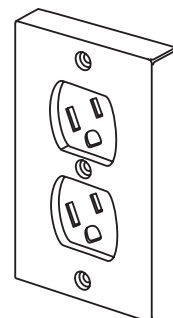
Swivel Outlet Cover

Contents: 1 cover.

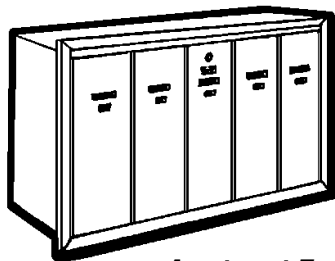
Description: Plastic cover assembly protects tiny fingers or prying objects from causing electrical shock; replaces existing outlet cover and spring loaded plug covers do the rest.



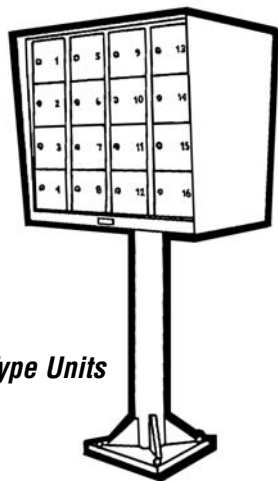
S-4447
S-4461



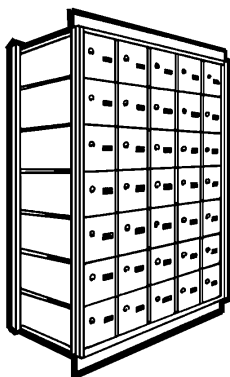
Standard Pack: 6/box



Apartment-Type Units



Cluster-Type Units



Commercial Multi-Units

Part Number	Replacement For This Manufacturer	Finish	Direction of Turn To Open*	Locked Cam Position
S-4048**	1/4" Bolt	Brass	—	—
S-4055	Permabilt	Brass	90° CCW	Left
S-4086**	1/2" Bolt	Brass	—	—
S-4125	Bommer	Nickel	90° CCW	Left
S-4126	Bommer	Nickel	90° CCW	Up
S-4127	Bommer	Nickel	90° CCW	Down
S-4128	Auth Electric	Nickel	90° CCW	Left
S-4129	American Device	Nickel	90° CCW	Left
S-4130	Florence	Nickel	90° CW	Up
S-4131	S.H. Couch	Nickel	90° CW	Up
S-4132	Nutone	Nickel	90° CCW	Left
S-4133	Cutler	Nickel	90° CCW	Left
S-4134	Miami Carey	Nickel	90° CCW	Up
S-4136	Dura-Steel	Nickel	90° CW	Down
S-4137	Jensen General	Nickel	90° CCW	Left
S-4138	Bommer Hook	Nickel	90° CCW	Left
S-4297	Bommer	Nickel	90° CCW	Left
S-4299	Cutler Federal	Nickel	90° CCW	Left
S-4499	Florence	Nickel	90° CCW	Up

* CCW-Counter Clockwise CW-Clockwise

Mail Box Lock

Contents: 1- 5 pin cylinder; 1 clip; 1 cam and 2 keys.

Description: Diecast cylinder with plated face; replaces original equipment manufacturers product.

** Plated stamped steel mechanism with throw-bolt and screws.

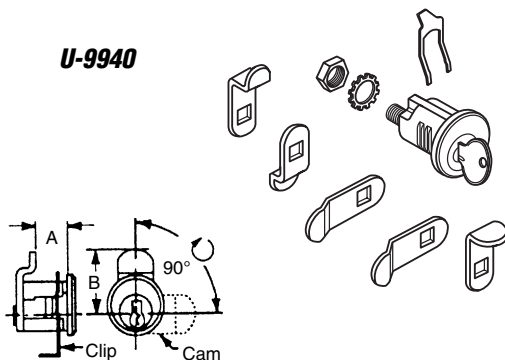
Standard Pack: 6/box

U-9940 (Brass finish)

Mail Box Lock

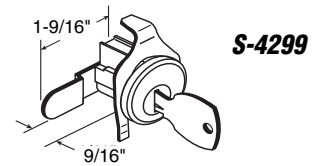
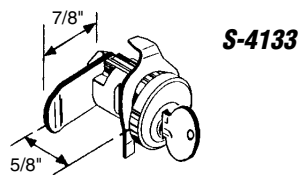
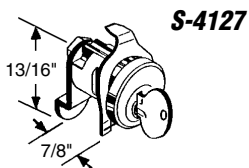
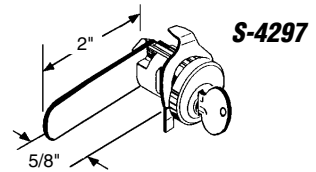
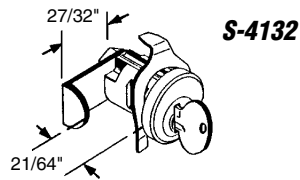
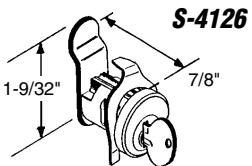
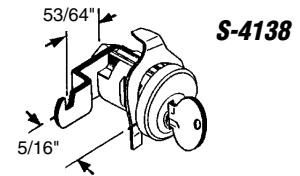
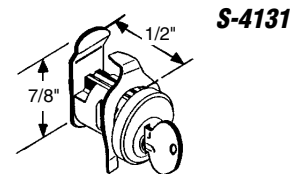
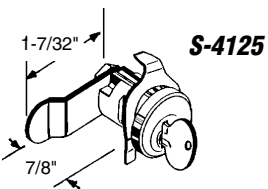
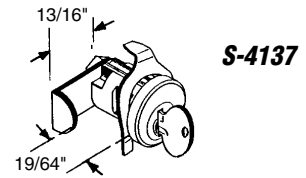
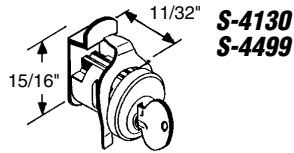
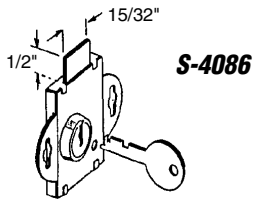
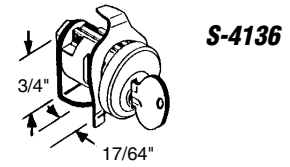
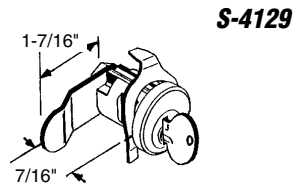
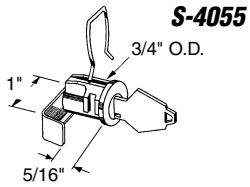
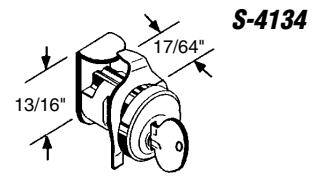
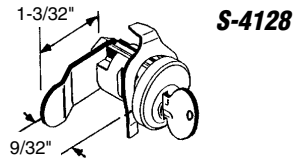
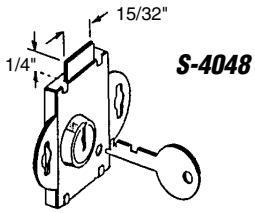
Contents: 1- 5 pin cylinder; 1 clip; 5 cams and 2 keys.

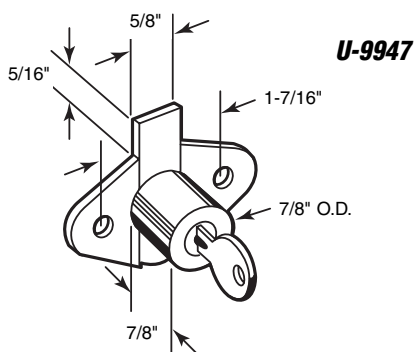
Description: Multi-purpose lock.



Replaces	Dimensions		Turn To Open	Locked Position
	A	B		
American Device	7/16"	1-7/16"	90° CCW	Left
Florence	11/32"	15/16"	90° CCW	Up
Miami-Carey	5/16"	13/16"	90° CCW	Up
Bommer	7/8"	1-7/32"	90° CCW	Down
Auth	9/32"	1-3/32"	90° CCW	Left

Standard Pack: 6/box





U-9947

U-9947 (Brass finish)

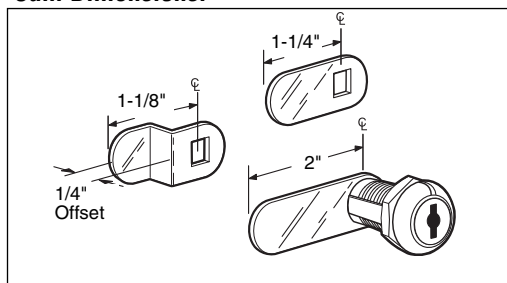
Drawer & Cabinet Lock

Contents: 1 lock; 2 keys and installation screws.

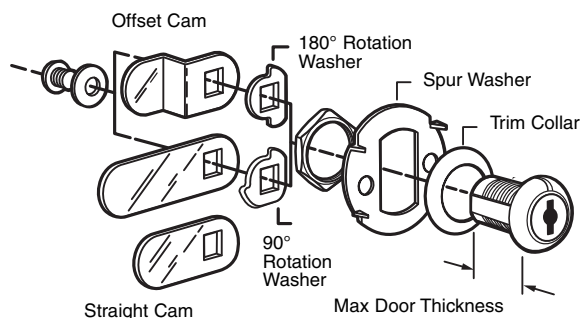
Description: Brass-plated diecast housing; keyed locking unit; fits a 7/8" hole; 5/16" bolt throw.

Standard Pack: 6/box

Cam Dimensions:



- U-9941**
- U-9942**
- U-9943**
- U-9944**
- U-9945**
- U-9946**



U-9941 (Chrome finish - max door thickness 5/16")

U-9942 (Brass finish - max door thickness 5/16")

U-9943 (Chrome finish - max door thickness 9/16")

U-9944 (Brass finish - max door thickness 9/16")

U-9945 (Chrome finish - max door thickness 13/16")

U-9946 (Brass finish - max door thickness 13/16")

Drawer & Cabinet Lock

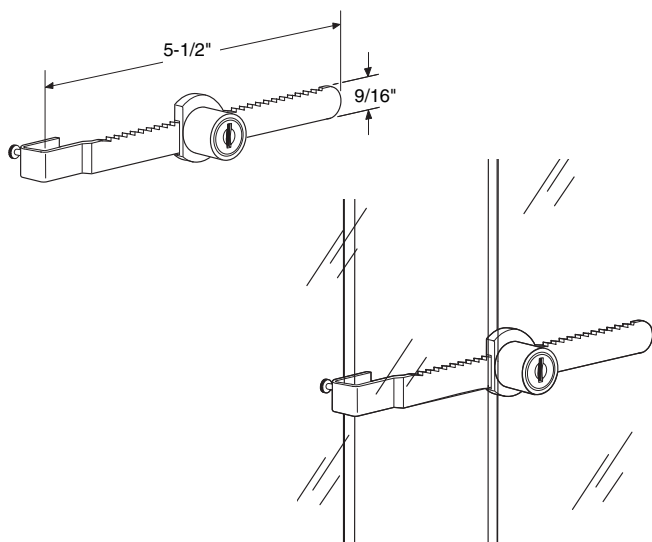
Contents: 1 lock; 2 cams; 1 trim collar; 1 spur washer; 2 rotation washers; 1 lock nut and 2 keys.

Description: Plated diecast housing and steel cams can be mounted to metal or wood door/drawer from 1/4" to 3/4" thick; keyed locking for maximum security.

Standard Pack: 6/box

Keyed Alike (in bulk): Change "U" in part no. to CCEP and add KA, i.e. CCEP-9941KA; **standard pack is 20** per box.

U-9949



U-9949 (Chrome finish)

Showcase Window Key Lock

Contents: 1 lock; 2 keys; 1 adjustable bar.

Description: Chrome-plated steel showcase and pass-thru window lock; fits up to 5/16" thick glass; adjustable lock allows for various closing alignments; easy to install.

Standard Pack: 6/box

Part No.	Page No.	Description	Package Quantity	Standard Pack
CCEP-7020	U-13	Wire Shelf Support Bracket	1	10
CCEP-9003 (1/4" glass)	U-7	Mirror Clip	6	100
CCEP-9004 (Clear)	U-6	Door Bumper	2	40
CCEP-9140 (Ivory)	U-6	Wall Protector (5" hexagon)	1	40
CCEP-9185 (Ivory)	U-6	Wall Protector (3-1/4" round)	1	100
CCEP-9186 (Ivory)	U-6	Wall Protector (5" round)	1	50
CCEP-16042 (White)	U-14	Corner Connector	4	25
CCEP-16044	U-14	Screw and Cap	12	50
CCEP-16046 (White)	U-14	Shelf Peg (5 mm)	12	50
CCEP-16051 (White)	U-14	Hole Caps	48	50
CCEP-16053 (Nickel plated)	U-14	Shelf Peg (5 mm)	4	50
CCSC-9003 (1/4" glass)	U-7	Mirror Clip	6	50
N-7016	U-13	Wire Shelf End Bracket	2	6
N-7017	U-13	Wire Shelf Wall Clip	4	6
N-7018	U-13	Wire Shelf Loop Clip	4	6
N-7019	U-13	Wire Shelf End Cap	12	6
S-4106 (Letter "A")	U-12	House Letters (4-1/4")	1	10
S-4107 (Black "B")	U-12	House Letters (4-1/4")	1	10
S-4108 (Black "C")	U-12	House Letters (4-1/4")	1	10
S-4109 (Black "D")	U-12	House Letters (4-1/4")	1	10
S-4110 (Black #0)	U-12	House Numbers (4-1/4")	1	10
S-4111 (Black #1)	U-12	House Numbers (4-1/4")	1	10
S-4112 (Black #2)	U-12	House Numbers (4-1/4")	1	10
S-4113 (Black #3)	U-12	House Numbers (4-1/4")	1	10
S-4114 (Black #4)	U-12	House Numbers (4-1/4")	1	10
S-4115 (Black #5)	U-12	House Numbers (4-1/4")	1	10
S-4116 (Black #6)	U-12	House Numbers (4-1/4")	1	10
S-4117 (Black #7)	U-12	House Numbers (4-1/4")	1	10
S-4118 (Black #8)	U-12	House Numbers (4-1/4")	1	10
S-4119 (Black #9)	U-12	House Numbers (4-1/4")	1	10
S-4248 (Black "F")	U-12	House Letters (4-1/4")	1	10
S-4252 (Brass "F")	U-12	House Letters (4-1/4")	1	10
S-4280 (Brass #0)	U-12	House Numbers (4-1/4")	1	10
S-4281 (Brass #1)	U-12	House Numbers (4-1/4")	1	10
S-4282 (Brass #2)	U-12	House Numbers (4-1/4")	1	10
S-4283 (Brass #3)	U-12	House Numbers (4-1/4")	1	10
S-4284 (Brass #4)	U-12	House Numbers (4-1/4")	1	10
S-4285 (Brass #5)	U-12	House Numbers (4-1/4")	1	10
S-4286 (Brass #6)	U-12	House Numbers (4-1/4")	1	10
S-4287 (Brass #7)	U-12	House Numbers (4-1/4")	1	10
S-4288 (Brass #8)	U-12	House Numbers (4-1/4")	1	10
S-4289 (Brass #9)	U-12	House Numbers (4-1/4")	1	10
S-4291 (Black "E")	U-12	House Letters (4-1/4")	1	10
S-4292 (Brass "A")	U-12	House Letters (4-1/4")	1	10
S-4293 (Brass "B")	U-12	House Letters (4-1/4")	1	10
S-4294 (Brass "C")	U-12	House Letters (4-1/4")	1	10
S-4295 (Brass "D")	U-12	House Letters (4-1/4")	1	10
S-4296 (Brass "E")	U-12	House Letters (4-1/4")	1	10
U-9001 (Brown)	U-3	Shelf Support Pegs (Plastic)	12	6
U-9002 (1/8" glass)	U-7	Mirror Clip	6	6
U-9003 (1/4" glass)	U-7	Mirror Clip	6	6
U-9004 (Clear)	U-6	Door Bumper	2	6
U-9005 (1" frame width - carded)	U-11	Bed Frame Rail Clamps	2	6
U-9006 (1-1/4" frame width - carded)	U-11	Bed Frame Rail Clamps	2	6
U-9013 (1" frame width - bulk)	U-11	Bed Frame Rail Clamps	1	50

INDEX - **Builder's Hardware**

Part No.	Page No.	Description	Package Quantity	Standard Pack
U-9014 (1-1/4" frame width - bulk)	U-11	Bed Frame Rail Clamps	1	50
U-9015 (Ivory head)	U-10	Cover Plate Screw (No. 6-32 x 1/2")	100	1
U-9016	U-10	Drapery Track Carrier	12	6
U-9029 (White)	U-7	Door Bumper	2	6
U-9032 (Gray)	U-7	Door Bumper	2	6
U-9047 (Brass finish)	U-11	Roller Catch	1	6
U-9054 (Brass finish)	U-1	Shelf Support Pegs (Metal)	8	6
U-9116 (Brass)	U-1	Shelf Support Pegs (Metal)	8	6
U-9117 (Brown)	U-2	Shelf Support Peg (Plastic)	6	6
U-9118	U-10	Drapery Cord Tension Spring & Pulley	2	6
U-9129 (Clear vinyl - 48")	U-15	Corner Shield (3/4" x 3/4")	1	12
U-9130 (Clear vinyl - 48")	U-15	Corner Shield (1-1/8" x 1-1/8")	1	12
U-9131	U-8	Picture and Mirror Hanger Assembly	2	6
U-9132 (Brass finish)	U-11	Bullet Catch	1	6
U-9137 (1/4" glass)	U-7	Mirror Clip	6	6
U-9140 (Ivory)	U-6	Wall Protector (5" hexagon)	1	10
U-9142 (Ivory)	U-5	Door Stop	3	6
U-9143 (Brown)	U-5	Door Stop	3	6
U-9147 (Clear)	U-3	Shelf Support Pegs (Plastic)	12	6
U-9148 (Nickel finish)	U-1	Shelf Support Peg (Metal)	8	6
U-9149 (Brass finish)	U-1	Shelf Support Pegs (Metal)	8	6
U-9150 (Nickel)	U-1	Shelf Support Pegs (Metal)	8	6
U-9151 (Chrome finish)	U-4	Door Holder	1	6
U-9152 (Bronze finish)	U-4	Door Holder	1	6
U-9153 (Brass finish)	U-4	Door Holder	1	6
U-9154 (Brushed chrome finish)	U-4	Door Holder	1	6
U-9162 (Black twist-in)	U-5	Door Holder Tip	2	6
U-9163 (Black with screw)	U-5	Door Holder Tip	2	6
U-9185 (Ivory)	U-6	Wall Protector	1	10
U-9186 (Ivory)	U-6	Wall Protector	1	10
U-9187 (White)	U-3	Shelf Support Peg (Plastic with steel peg)	8	6
U-9188 (White)	U-3	Shelf Support Pegs (Plastic)	12	1
U-9191 (White head)	U-10	Cover Plate Screw (No. 6-32 x 1/2")	100	1
U-9219 (Aluminum finish)	U-5	Door Holder	1	6
U-9220 (Bronze finish)	U-5	Door Holder	1	6
U-9232 (6" shelf leg x 8" wall leg)	U-12	Shelf Bracket	1	10
U-9233 (10" shelf leg x 12" wall leg)	U-12	Shelf Bracket	1	10
U-9243 (White)	U-6	Wall Protector	1	10
U-9244 (White)	U-6	Wall Protector	1	10
U-9252 (White plastic)	U-10	Drapery Cord Tension Spring & Pulley	2	6
U-9254 (1/4" glass)	U-8	Mirror Hanger	6	6
U-9256	U-4	Shelf Support Pegs (Plastic)	12	6
U-9257 (Clear)	U-3	"Mini" Shelf Support Peg (Plastic)	12	6
U-9258 (Beige)	U-3	Shelf Support Pegs (Plastic)	12	6
U-9266 (White)	U-5	Door Stop	3	6
U-9267 (Ivory)	U-6	Wall Protector	1	10
U-9268 (Ivory)	U-6	Wall Protector	1	10
U-9270 (White)	U-6	Wall Protector	1	10
U-9271 (White)	U-6	Wall Protector	1	10
U-9275 (White)	U-6	Wall Protector (5" hexagon)	1	10
U-9276 (1/8" glass)	U-7	Mirror Clip	6	6
U-9277 (Brown)	U-3	Shelf Support Peg (Plastic with steel peg)	8	6
U-9278 (1/4" glass)	U-7	Mirror Clip	6	6
U-9280 (Ivory)	U-5	Magnetic Door Holder	1	6
U-9281 (Brown)	U-5	Magnetic Door Holder	1	6

Part No.	Page No.	Description	Package Quantity	Standard Pack
U-9282 (4" x 4")	U-6	"Patch-It" Drywall Repair	1	6
U-9283 (6" x 6")	U-6	"Patch-It" Drywall Repair	1	6
U-9284 (8" x 8")	U-6	"Patch-It" Drywall Repair	1	6
U-9292 (Clear)	U-3	Shelf Support Peg (Plastic with steel peg)	8	6
U-9293 (Nickel finish)	U-1	Shelf Support Pegs (Metal)	8	6
U-9294 (Nickel finish)	U-2	Shelf Bracket (Steel)	12	6
U-9295 (Brass finish)	U-2	Shelf Bracket (Steel)	12	6
U-9296 (Almond)	U-3	Shelf Support Pegs (Plastic)	12	6
U-9300 (Brass)	U-1	Shelf Support Pegs (Metal)	8	6
U-9301 (Nickel)	U-1	Shelf Support Pegs (Metal)	8	6
U-9302 (Clear)	U-3	Shelf Support Peg (Plastic with steel peg)	8	6
U-9303 (Brown)	U-3	Shelf Support Peg (Plastic with steel peg)	8	6
U-9304 (White)	U-3	Shelf Support Peg (Plastic with steel peg)	8	6
U-9307 (White)	U-5	Magnetic Door Holder	1	6
U-9308 (3/4" length)	U-8	Picture Retainer Clips	8	6
U-9309 (1" length)	U-8	Picture Retainer Clips	8	6
U-9313 (2" x 2")	U-6	"Patch-It" Drywall Repair	1	6
U-9316 (Nickel plated)	U-10	Cover Plate Screw (No. 6-32 x 1/2")	100	1
U-9318	U-4	Shelf Support Pegs (Plastic)	12	6
U-9335 (Brass)	U-1	Shelf Support Pegs (Metal)	8	6
U-9336 (Black)	U-1	Shelf Support Pegs (Metal)	8	6
U-9337 (Nickel)	U-1	Shelf Support Pegs (Metal)	8	6
U-9338 (White)	U-3	"Mini" Shelf Support Peg (Plastic)	12	6
U-9345 (Brass finish)	U-2	Shelf Support Peg (Steel)	12	6
U-9346 (Nickel finish)	U-2	Shelf Support Peg (Steel)	12	6
U-9347 (Brass)	U-1	Shelf Support Pegs (Metal)	8	6
U-9348 (Black)	U-1	Shelf Support Pegs (Metal)	8	6
U-9349 (Nickel)	U-1	Shelf Support Pegs (Metal)	8	6
U-9350 (Black)	U-1	Shelf Support Pegs (Metal)	8	6
U-9351 (Brass)	U-2	Peg Grommet (Steel)	12	6
U-9352 (Black)	U-2	Peg Grommet (Steel)	12	6
U-9353 (Nickel)	U-2	Peg Grommet (Steel)	12	6
U-9354 (Brass)	U-2	Peg Grommet (Steel)	12	6
U-9355 (Black)	U-2	Peg Grommet (Steel)	12	6
U-9356 (Nickel)	U-2	Peg Grommet (Steel)	12	6
U-9357 (Brass)	U-2	Peg Grommet (Steel)	12	6
U-9358 (Black)	U-2	Peg Grommet (Steel)	12	6
U-9359 (Nickel)	U-2	Peg Grommet (Steel)	12	6
U-9360 (Clear)	U-3	"Mini" Shelf Support Peg (Plastic)	12	6
U-9375 (Off-white)	U-9	Banner and Flag Pole Holder (Deluxe plastic)	1	6
U-9376 (Off-white)	U-9	Banner and Flag Pole Holder (Heavy duty plastic)	1	6
U-9377 (Mill finish)	U-9	Flag Pole Holder (Cast aluminum)	1	6
U-9378 (Clear zinc plated)	U-9	Banner and Flag Pole Holders (Steel)	1	10
U-9379 (White Painted)	U-9	Banner and Flag Pole Holders (Steel)	1	10
U-9380 (Polished brass)	U-10	Flag Pole Holder	1	6
U-9381 (Brown)	U-3	Shelf Support Pegs (Plastic)	12	6
U-9382 (Almond)	U-3	Shelf Support Pegs (Plastic)	12	6
U-9383 (White)	U-3	Shelf Support Pegs (Plastic)	12	6
U-9384 (Clear)	U-3	Shelf Support Pegs (Plastic)	12	6
U-9385 (Brown)	U-3	"Mini" Shelf Support Peg (Plastic)	12	6
U-9386 (Almond)	U-3	"Mini" Shelf Support Peg (Plastic)	12	6
U-9387 (White)	U-3	"Mini" Shelf Support Peg (Plastic)	12	6
U-9388 (Black)	U-2	Shelf Support Peg (Plastic)	6	6
U-9389 (Clear)	U-2	Shelf Support Peg (Plastic)	6	6
U-9390 (Brown)	U-2	Shelf Support Peg (Plastic)	6	6

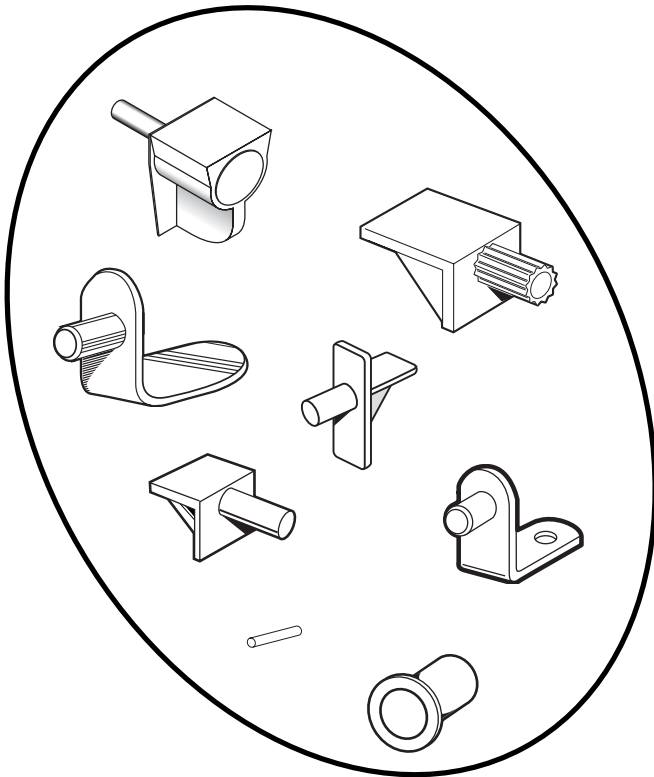
INDEX - Builder's Hardware

Part No.	Page No.	Description	Package Quantity	Standard Pack
U-9391 (Clear)	U-2	Shelf Support Peg (Plastic)	6	6
U-9392 (Brown)	U-2	Shelf Support Peg (Plastic)	6	6
U-9393 (Clear)	U-2	Shelf Support Peg (Plastic)	6	6
U-9394 (Brown)	U-2	Shelf Support Peg (Plastic)	6	6
U-9395 (Clear)	U-2	Shelf Support Peg (Plastic)	6	6
U-9396 (Brown)	U-2	Shelf Support Peg (Plastic)	6	6
U-9397 (Clear)	U-2	Shelf Support Peg (Plastic)	6	6
U-9398 (Clear)	U-2	Shelf Support Peg (Plastic)	6	6
U-9996	U-8	Picture and Mirror Hanger Assembly	2 sets	6
U-10000 (Brown)	U-3	"Mini" Shelf Support Peg (Plastic)	12	6
U-10001 (White)	U-3	"Mini" Shelf Support Peg (Plastic)	12	6
U-10002 (Almond)	U-3	"Mini" Shelf Support Peg (Plastic)	12	6
U-10004 (Brown)	U-3	"Mini" Shelf Support Peg (Plastic)	12	6
U-10005 (Clear)	U-3	"Mini" Shelf Support Peg (Plastic)	12	6
U-10006 (Almond)	U-3	"Mini" Shelf Support Peg (Plastic)	12	6
U-10008	U-11	Bed Rail End Cap (Brown)	4	6
U-10020 (Clear zinc plated)	U-9	Banner and Flag Pole Holders (Steel)	1	10
U-10021 (White painted)	U-9	Banner and Flag Pole Holders (Steel)	1	10
U-10033 (White)	U-4	Shelf Peg Hole Plugs	48	6
U-10034 (Beige)	U-4	Shelf Peg Hole Plugs	48	6
U-10035 (Brown)	U-4	Shelf Peg Hole Plugs	48	6
U-10036 (White)	U-13	Screw Caps	24	6
U-10037 (Beige)	U-13	Screw Caps	24	6
U-10038 (Brown)	U-13	Screw Caps	24	6
U-10039 (White)	U-4	Shelf Peg Hole Plugs	48	6
U-10040 (Beige)	U-4	Shelf Peg Hole Plugs	48	6
U-10041 (Brown)	U-4	Shelf Peg Hole Plugs	48	6
U-10042 (Brass plated)	U-9	Banner and Flag Pole Holders (Steel)	1	10
U-10043 (Brass plated)	U-9	Banner and Flag Pole Holders (Steel)	1	10
U-10044 (White painted)	U-9	Flag Pole Holder (Cast aluminum)	1	6
U-10047 (White with screw)	U-5	Door Holder Tip	2	6
U-10066 (White vinyl - 48")	U-15	Corner Shield (3/4" x 3/4")	1	12
U-10067 (White vinyl - 48")	U-15	Corner Shield (1-1/8" x 1-1/8")	1	12
U-10068 (Clear vinyl - 48")	U-15	Corner Shield (2-1/2" x 2-1/2")	1	6
U-10069 (White vinyl - 48")	U-15	Corner Shield (2-1/2" x 2-1/2")	1	6
U-10070 (Bronze finish)	U-4	Door Holder	1	6
U-10071 (Brass finish)	U-4	Door Holder	1	6
U-10072 (Brown)	U-9	Banner and Flag Pole Holder (Heavy duty plastic)	1	6
U-10073 (Brown)	U-9	Banner and Flag Pole Holder (Deluxe plastic)	1	6
U-10074 (Polished brass)	U-10	Flag Pole Holder	1	6
U-10075 (Clear vinyl - 96")	U-15	Corner Shield (1-1/8" x 1-1/8")	1	12
U-10076 (White vinyl - 96")	U-15	Corner Shield (1-1/8" x 1-1/8")	1	12
U-10077 (Clear vinyl - 96")	U-15	Corner Shield (2-1/2" x 2-1/2")	1	6
U-10078 (White vinyl - 96")	U-15	Corner Shield (2-1/2" x 2-1/2")	1	6
U-10081 (Clear vinyl - 48")	U-15	Corner Shield (3/4" x 3/4")	1	12
U-10082 (Clear vinyl - 96")	U-15	Corner Shield (3/4" x 3/4")	1	12
U-10083 (Clear vinyl - 96")	U-15	Corner Shield (3/4" x 3/4")	1	12
U-10084 (White vinyl - 48")	U-15	Corner Shield (3/4" x 3/4")	1	12
U-10085 (White vinyl - 96")	U-15	Corner Shield (3/4" x 3/4")	1	12
U-10086 (White vinyl - 96")	U-15	Corner Shield (3/4" x 3/4")	1	12

The following pages include a comprehensive selection of shelf peg styles, colors, finishes and peg diameters.

Actual Peg Diameter

- 3 mm (1/8" approx)
- 4 mm (5/32" approx)
- 5 mm (3/16" approx)
- 1/4"
- 7 mm (9/32" approx)



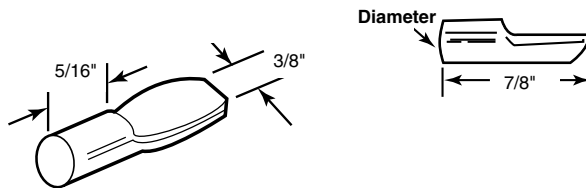
Shelf Support Pegs (Metal)

Contents: 8 pegs.

Peg Diameter	Finish (Part Number)		
	Brass	Nickel	Black
4 mm	U-9300	U-9301	---
5 mm	U-9335	U-9337	U-9336
1/4"	U-9116*	U-9150*	U-9350
7 mm	U-9347	U-9349	U-9348

Description: Spoon style support pegs frequently used in stereo and storage cabinets with glass shelving.

*Econo-pack availability: Call for pack quantities.



U-9149 (Brass finish)*

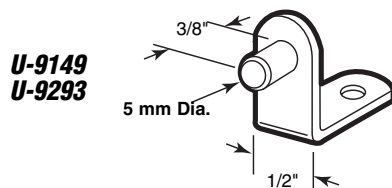
U-9293 (Nickel finish)*

Shelf Support Pegs (Metal)

Contents: 8 pegs.

Description: 5mm diameter peg; screw slot allows shelf to be fastened to peg; frequently used for heavily loaded shelves.

*Econo-pack availability: Call for pack quantities.



U-9054 (Brass finish)*

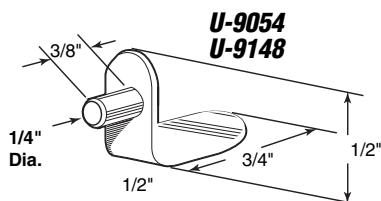
U-9148 (Nickel finish)*

Shelf Support Peg (Metal)

Contents: 8 pegs.

Description: 1/4" diameter peg; used in stereo and storage cabinets.

*Econo-pack availability: Call for pack quantities.

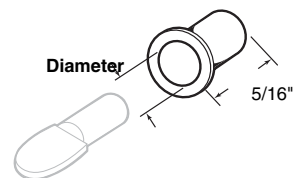


Peg Grommet (Steel)

Contents: 12 pegs.

Peg Diameter	Finish (Part Number)		
	Brass	Black	Nickel
5 mm	U-9354	U-9355	U-9356
1/4"	U-9351	U-9352	U-9353
7 mm	U-9357	U-9358	U-9359

Description: Plated steel grommets provide extra strength to shelf support pegs.



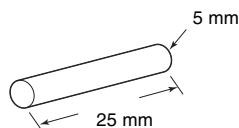
U-9345 (Brass finish)

U-9346 (Nickel finish)

Shelf Support Peg (Steel)

Contents: 12 pegs.

Description: Steel support peg; may be used with peg grommets.



U-9345
U-9346

U-9294 (Nickel finish)*

U-9295 (Brass finish)*

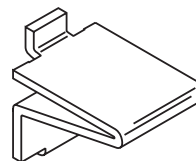
Shelf Bracket (Steel)

Contents: 12 brackets.

Description: Metal brackets fits *Knape & Vogt* and other shelf support systems; designed for use with pilaster style standards.

*Econo-pack availability: Call for pack quantities.

U-9294
U-9295

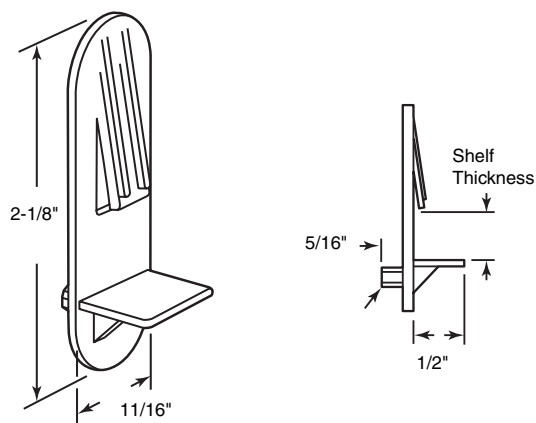


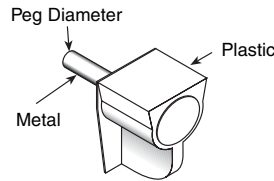
Shelf Support Peg (Plastic)

Contents: 6 pegs.

Peg Diameter	Shelf Thickness	Color	Part No.
5 mm	1/2"	Black	U-9388
5 mm	1/2"	Clear	U-9389
5 mm	5/8"	Brown	U-9392
5 mm	5/8"	Clear	U-9393
5 mm	3/4"	Brown	U-9396
5 mm	3/4"	Clear	U-9397
1/4"	1/2"	Brown	U-9390
1/4"	1/2"	Clear	U-9391
1/4"	5/8"	Brown	U-9394
1/4"	5/8"	Clear	U-9395
1/4"	3/4"	Brown	U-9117
1/4"	3/4"	Clear	U-9398

Description: Self-locking shelf supports hold wood shelving securely in place.





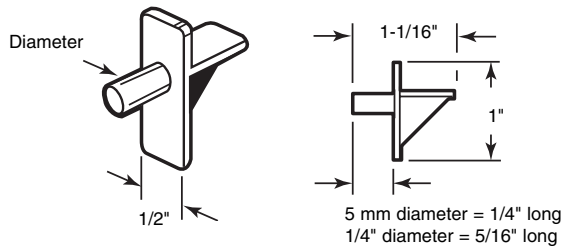
Shelf Support Peg (Plastic with steel peg)

Contents: 8 pegs.

Peg Diameter	Color (Part Number)		
	Clear	Brown	White
3 mm	U-9302	U-9303	U-9304
5 mm	U-9292*	U-9277	U-9187*

Description: Plastic shelf support with steel peg provides added strength.

*Econo-pack availability: Call for pack quantities.



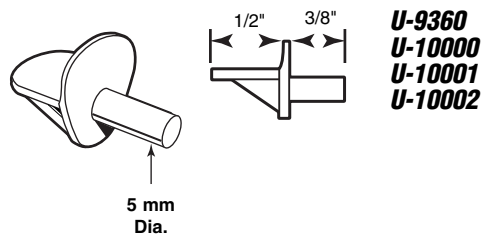
Shelf Support Pegs (Plastic)

Contents: 12 pegs.

Peg Diameter	Color (Part Number)				
	Brown	Clear	White	Almond	Beige
5 mm	U-9381	U-9384	U-9383	U-9382	---
1/4"	U-9001*	U-9147*	U-9188*	U-9296*	U-9258

Description: Plastic construction; used to mount shelving in cabinets and storage compartments.

*Econo-pack availability: Call for pack quantities.



U-9360 (Clear)

U-10000 (Brown)

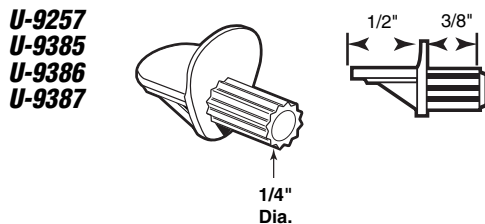
U-10001 (White)

U-10002 (Almond)

"Mini" Shelf Support Peg (Plastic)

Contents: 12 pegs.

Description: "Mini" style shelf support pegs frequently used in stereo and display cabinets.



U-9257 (Clear)*

U-9385 (Brown)

U-9386 (Almond)

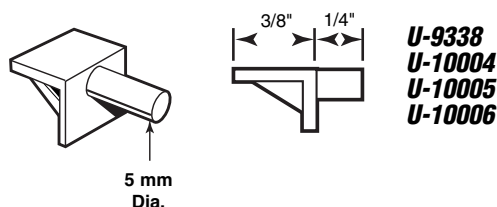
U-9387 (White)

"Mini" Shelf Support Peg (Plastic)

Contents: 12 pegs.

Description: "Mini" style shelf support pegs frequently used in stereo and display cabinets.

*Econo-pack availability: Call for pack quantities.



U-9338 (White)

U-10004 (Brown)

U-10005 (Clear)

U-10006 (Almond)

"Mini" Shelf Support Peg (Plastic)

Contents: 12 pegs.

Description: "Mini" style shelf support pegs frequently used in stereo and display cabinets.

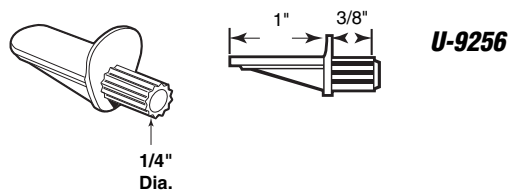
U-9256 U-9318*

Shelf Support Pegs (Plastic)

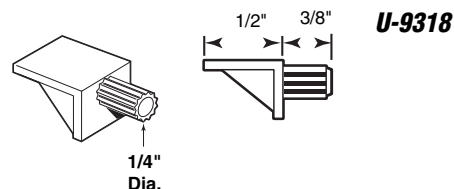
Contents: 12 pegs.

Description: Clear plastic pegs; used to support cabinet shelves.

*Econo-pack availability: Call for pack quantities.



U-9256



U-9318

Shelf Peg Hole Plugs

Contents: 48 plugs.

Color (Part Number)

Hole Size	White	Beige	Brown
5 mm	U-10033	U-10034	U-10035
1/4"	U-10039	U-10040	U-10041

Description: Plastic plugs; used to plug 5 mm and 1/4" shelf peg holes in cabinetry, where a finished look is desirable; colors blend with a variety of finishes.

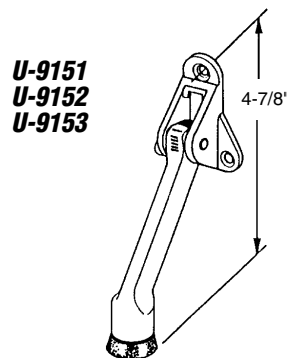


U-9151 (Chrome finish) U-9152 (Bronze finish) U-9153 (Brass finish)

Door Holder

Contents: 1 holder; 1 set of installation screws.

Description: Zinc diecast holder with rubber tip; spring loaded to hold in "up" position; good for commercial applications.



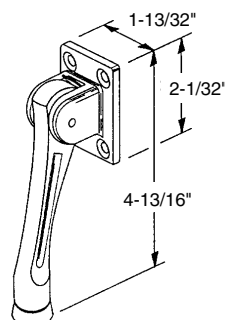
**U-9151
U-9152
U-9153**

U-10071 (Brass finish) U-10070 (Bronze finish) U-9154 (Chrome finish)

Door Holder

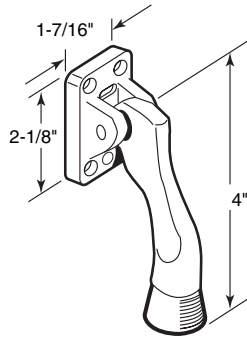
Contents: 1 holder; 1 set of installation screws.

Description: Heavy duty diecast stop with rubber tip; 4 hole mounting; spring loaded; for commercial and residential applications.



**U-10071
U-10070
U-9154**

U-9219
U-9220



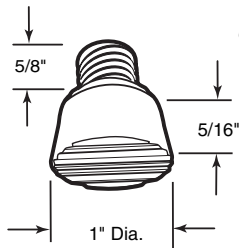
U-9219 (Aluminum finish)
U-9220 (Bronze finish)

Door Holder

Contents: 1 holder; 1 set of installation screws.

Description: Heavy **cast iron**; **spring loaded** holder with 4 hole mounting; **rubber tip**; for commercial use.

U-9162

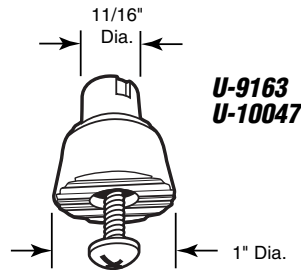


U-9162 (Black twist-in)
U-9163 (Black with screw)
U-10047 (White with screw)

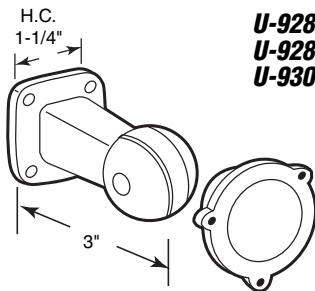
Door Holder Tip

Contents: 2 rubber tips.

Description: Replaces worn out tips on drop down door holders.



U-9280
U-9281
U-9307



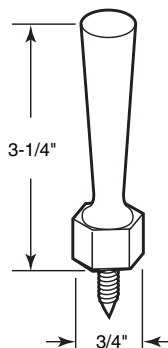
U-9280 (Ivory)
U-9281 (Brown)
U-9307 (White)

Magnetic Door Holder

Contents: 1 holder; 1 retainer; 1 set of installation screws.

Description: **Plastic** housing with **magnetic insert**; may be wall or floor mounted; spring loaded retainer mounts to door.

U-9142
U-9143
U-9266



U-9142 (Ivory)
U-9143 (Brown)
U-9266 (White)

Door Stop

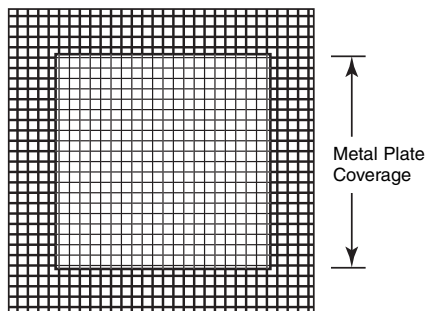
Contents: 3 door stops.

Description: Flexible **vinyl** stop with **steel screw insert**; prevents door handle from hitting wall. This unique one-piece construction is commonly used where children or infants play; proven to be much safer than standard spring actuated stops with plastic tips.

"Patch-It" Drywall Repair

Part no.	Coverage	Contents
U-9313	2" x 2"	1 pc.
U-9282	4" x 4"	1 pc.
U-9283	6" x 6"	1 pc.
U-9284	8" x 8"	1 pc.

Description: Metal plate filler; rust proof; self-adhesive; fiberglass mesh surface improves plaster adhesion; used to repair holes in drywall.

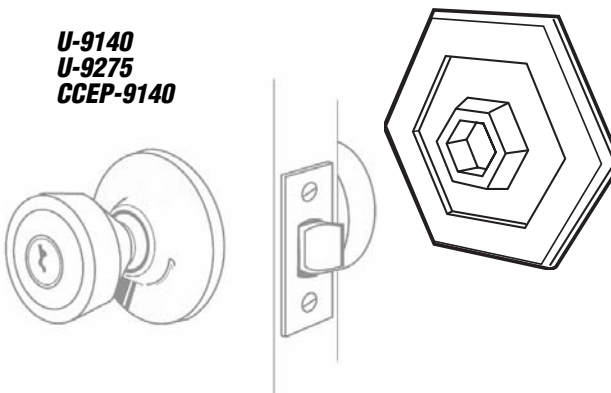


U-9140 (Ivory)
U-9275 (White)
CCEP-9140 (Ivory - bulk: 40 per box)

Wall Protector (5" hexagon)

Contents: 1 shield

Description: Flexible vinyl; self-adhesive; paintable; protects interior walls from impact damage by shielding contact point of wall and door knob; repairs damaged walls.



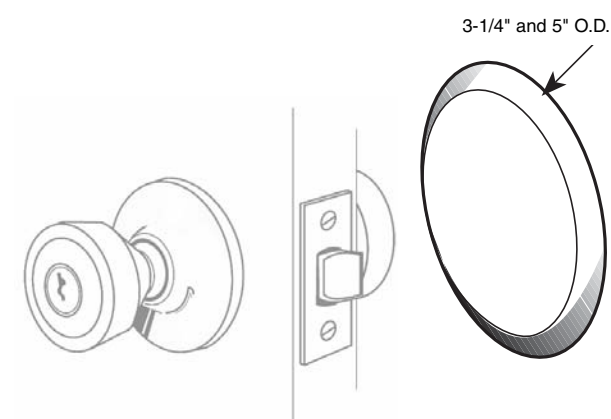
Wall Protector

Contents: 1 shield.

Diameter	Textured Surface		Smooth Surface	
	Ivory	White	Ivory	White
3-1/4"	U-9185*	U-9243	U-9267	U-9270
5"	U-9186*	U-9244	U-9268	U-9271

Description: Rigid vinyl; self adhesive; protects interior walls from impact damage by shielding contact point of wall and door knob; repairs damaged walls.

*Bulk: CCEP-9185 - 100 per box.
 CCEP-9186 - 50 per box.

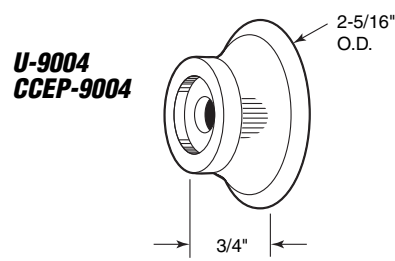


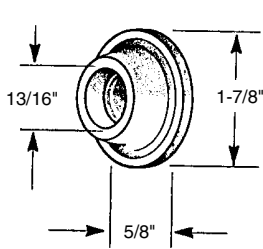
U-9004 (Clear - carded)
CCEP-9004 (Clear - bulk - 40 per box)

Door Bumper

Contents: 2 door stops; 2 no. 6 x 1-1/4" Phillips pan head sheet metal screws; 2 no. 6 x 1" plastic anchors.

Description: Clear soft vinyl; protects against marred walls; absorbs impact of door knob at contact point with wall; easily detached from wall by removing screw. Clear plastic construction is unassuming and allows paint colors or wall paper design to show through.





U-9029
U-9032

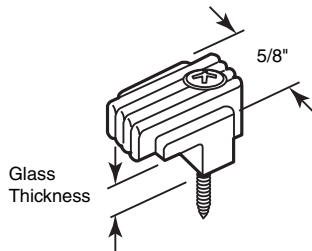
U-9029 (White)
U-9032 (Gray)

Door Bumper

Contents: 2 bumpers.

Description: Solid rubber; concave center; self-adhesive; absorbs impact of door knob at contact point with wall.

U-9002
U-9003
CCEP-9003
CCSC-9003

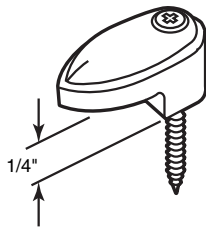


U-9002 (1/8" glass - carded)
U-9003 (1/4" glass - carded)
CCEP-9003 (1/4" glass - bulk - 6 per bag - 100 bags/box)
CCSC-9003 (1/4" glass - bulk - 6 per bag - 50 bags/box)

Mirror Clip

Contents: 6 clips; 6 no. 6 x 1-1/4" Phillips flat head sheet metal screws; 6 no. 6 x 1" plastic anchors.

Description: Clear plastic clips fit 1/8" or 1/4" thick mirror glass; conventional design.



U-9137

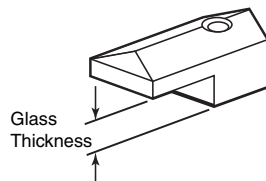
U-9137 (1/4" glass)

Mirror Clip

Contents: 6 clips; 6 no. 6 x 1-1/4" Phillips flat head sheet metal screws; 6 no. 6 x 1" plastic anchors.

Description: Clear plastic clips fit 1/4" thick mirror glass; decorator design.

U-9276
U-9278



U-9276 (1/8" glass)
U-9278 (1/4" glass)

Mirror Clip

Contents: 6 clips; 6 no. 6 x 1-1/4" Phillips flat head sheet metal screws; 6 no. 6 x 1" plastic anchors.

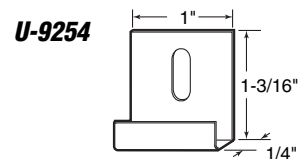
Description: Clear plastic clips fit 1/8" or 1/4" thick mirror glass; contemporary design.

U-9254 (1/4" glass)

Mirror Hanger

Contents: 6 hangers; 6 installation screws.

Description: Stainless steel hangers; designed to hold mirror securely to wall; use at top and bottom of mirror; slot allows 1/2" of adjustment for ease of installation.

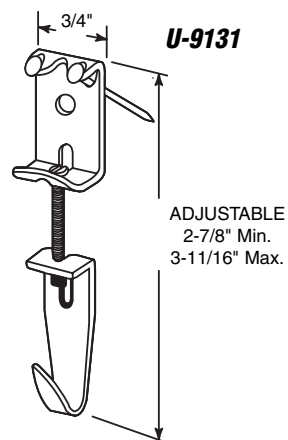


U-9131

Picture and Mirror Hanger Assembly

Contents: 2 hangers; 4 nails.

Description: Heavy duty steel hanger assembly consists of 1 fixed bracket and 1 adjustable bracket; allows 1" of vertical adjustment.

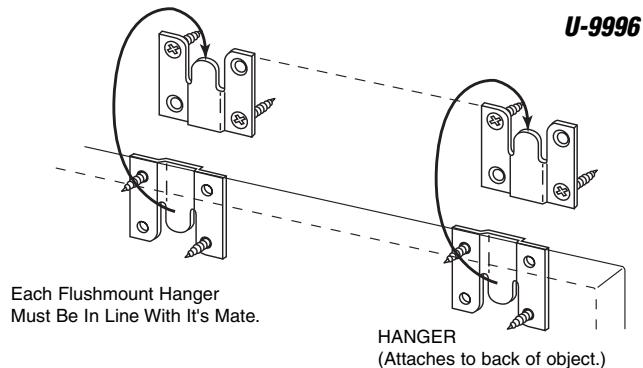


U-9996

Picture and Mirror Hanger Assembly

Contents: 2 sets; 2 sets of installation screws.

Description: Steel hangers designed for flush mount applications; each pair consists of one wall bracket and one frame bracket.



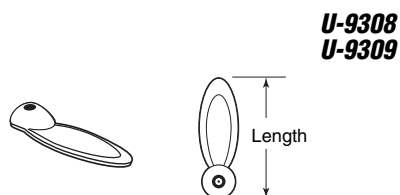
U-9308 (3/4" length)

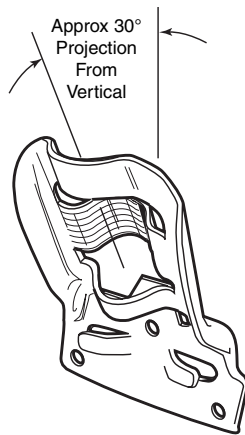
U-9309 (1" length)

Picture Retainer Clips

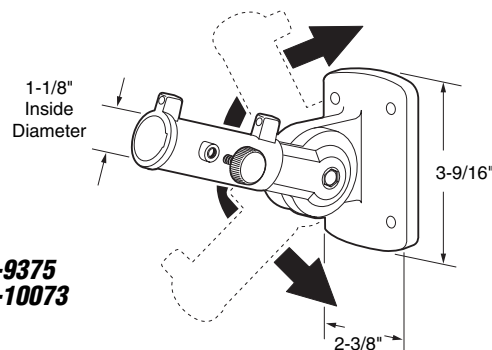
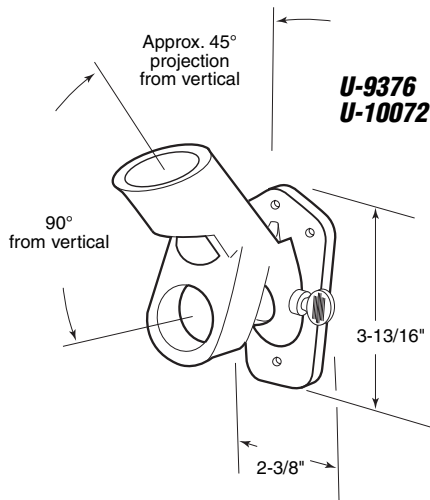
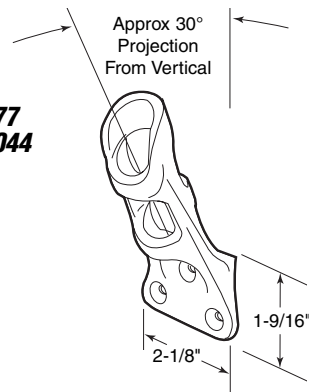
Contents: 8 clips with nails.

Description: Metal clips installed on back of picture frame; secures matting, art and backing in position.





U-9377
U-10044



U-9375
U-10073

Banner and Flag Pole Holders (Steel)

Contents: 1 holder; 1 set of installation screws.

Finish (Part Number)

Pole Diameter	Clear Zinc Plated	Brass Plated	White Painted
3/4"	U-9378	U-10042	U-9379
1"	U-10020	U-10043	U-10021

Description: Sturdy painted or plated steel construction; weather resistant; 30° projection from vertical.

Call for Availability

U-9377 (Mill finish)
U-10044 (White painted)

Flag Pole Holder (Cast aluminum)

Contents: 1 holder; 1 set of installation fasteners.

Description: Rustproof; holds poles up to 3/4" diameter; 30° projection from vertical.

Call for Availability

U-9376 (Off-white)
U-10072 (Brown)

Banner and Flag Pole Holder (Heavy duty plastic)

Contents: 1 holder with set screws; 1 set of installation fasteners.

Description: 45° and 90° projections from vertical; holds poles up to 1-1/8" diameter; thumbscrews secure pole to holder; sturdy support base.

Call for Availability

U-9375 (Off-white)
U-10073 (Brown)

Banner and Flag Pole Holder (Deluxe plastic)

Contents: 1 holder with set screws; 1 set of installation fasteners.

Description: Fully adjustable angle settings; holds pole up to 1-1/8" diameter and windsock rods up to 1/4" diameter; knurled head thumbscrew secures pole to holder.

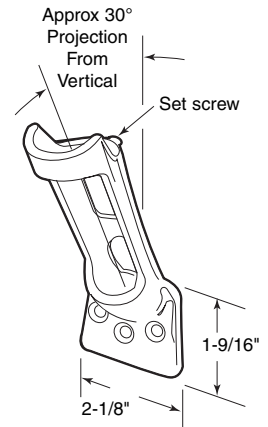
U-9380 (1" pole)
U-10074 (3/4" pole)

Flag Pole Holder (Polished brass)

Contents: 1 holder; 1 set of installation fasteners.

Description: Solid brass; holds 3/4" or 1" diameter poles; supports up to 95 lbs per unit. Very attractive, upscale holder.

U-9380
U-10074

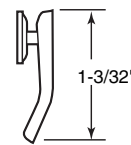


U-9016

Drapery Track Carrier

Contents: 12 carriers.

Description: Nylon drapery carrier fits most standard "C" style tracks.



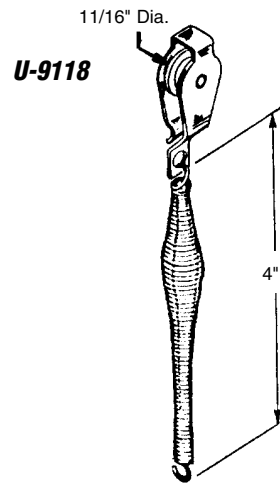
U-9016

U-9118 (Plated steel housing)
U-9252 (White plastic housing)

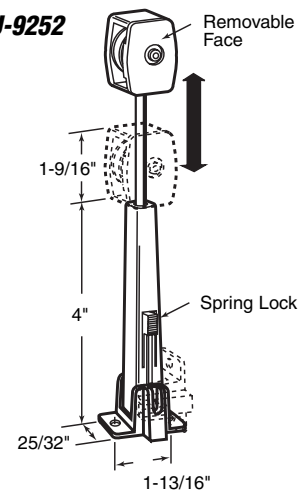
Drapery Cord Tension Spring & Pulley

Contents: 2 pulley assemblies; 2 no. 8 x 1-1/2" Phillips pan head sheet metal screws.

Description: Spring loaded assembly; nylon roller; provides proper cord tension.



U-9252



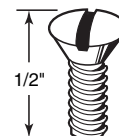
U-9015 (Ivory Head)
U-9191 (White Head)
U-9316 (Nickel Plated)

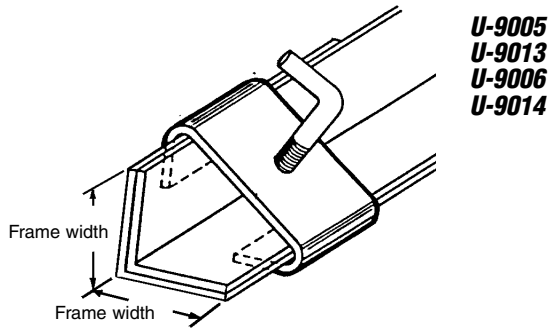
Cover Plate Screw (No. 6-32 x 1/2")

Contents: 100 screws per poly bag.

Description: Metal machine screw designed for plug and switch cover plate attachment. Painted screw head surfaces to match cover plates.

U-9015
U-9191
U-9316





U-9005
U-9013
U-9006
U-9014

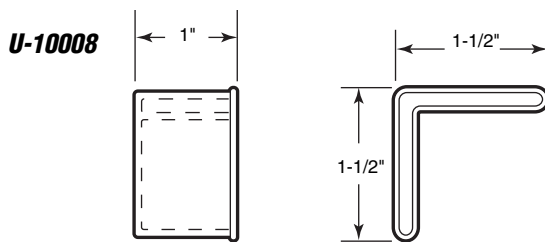
U-9005 (1" frame width - carded)
U-9013 (1" frame width - bulk)
U-9006 (1-1/4" frame width - carded)
U-9014 (1-1/4" frame width - bulk)

Bed Frame Rail Clamps

Contents: Carded- 2 per package
 Bulk- 50 pcs. in self-dispensing box.

Description: Heavy gauge **steel** bracket; **zinc plated**; used to secure bed frame meeting rails.

You may also wish to stock these related parts: **U-10008**.

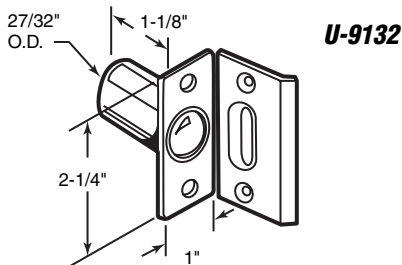


U-10008
Bed Rail End Cap (Brown)

Contents: 4 end caps.

Description: **Plastic** end caps install on end of bed frame rail.

You may also wish to stock these related parts: **U-9005**; **U-9006**.

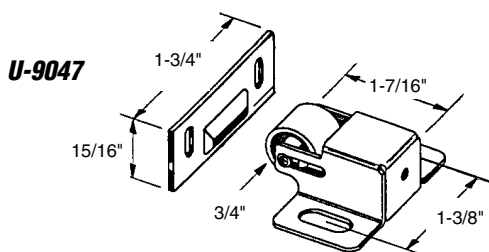


U-9132 (Brass finish)

Bullet Catch

Contents: 1 catch; 1 strike; 1 set of installation screws.

Description: Heavy duty **plated diecast** bullet catch with **plated steel** strike; designed for use on interior closet and utility doors.



U-9047 (Brass finish)

Roller Catch

Contents: 1 catch; 1 strike; 1 set of installation screws.

Description: **Plated steel** housing and strike; spring loaded **nylon roller**; designed for use on interior closet and cabinet doors.

House Numbers (4-1/4")

Contents: 10 numbers with nails (Bulk Pack).

Number	Finish (Part Number)	
	Black	Brass
0	S-4110	S-4280
1	S-4111	S-4281
2	S-4112	S-4282
3	S-4113	S-4283
4	S-4114	S-4284
5	S-4115	S-4285
6	S-4116	S-4286
7	S-4117	S-4287
8	S-4118	S-4288
9	S-4119	S-4289

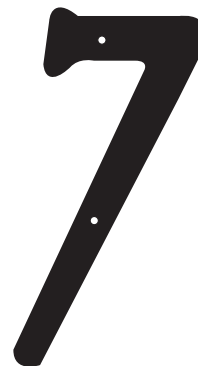
Description: Painted and plated diecast construction; corrosion resistant; 4-1/4" tall for easy visibility. Each number is individually poly-bagged.

House Letters (4-1/4")

Contents: 10 letters with nails (Bulk Pack).

Letter	Finish (Part Number)	
	Black	Brass
A	S-4106	S-4292
B	S-4107	S-4293
C	S-4108	S-4294
D	S-4109	S-4295
E	S-4291	S-4296
F	S-4248	S-4252

Description: Painted and plated diecast construction; corrosion resistant; 4-1/4" tall for easy visibility. Each letter is individually poly-bagged.

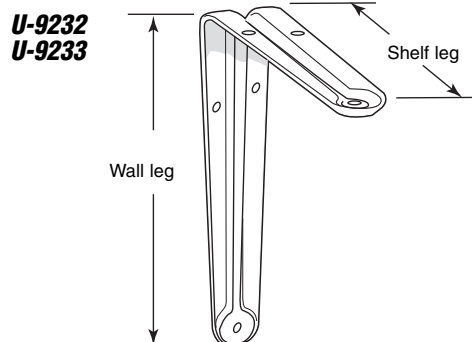


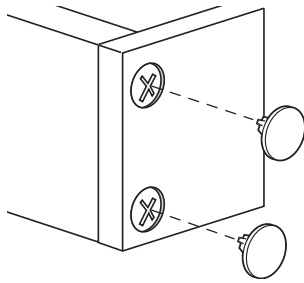
U-9232 (6" shelf leg x 8" wall leg)
U-9233 (10" shelf leg x 12" wall leg)

Shelf Bracket

Contents: 10 brackets (Bulk).

Description: Painted gray steel shelf bracket can be used as a support or brace for various 6" and 10" shelving applications.





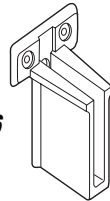
U-10036
U-10037
U-10038

U-10036 (White)
U-10037 (Beige)
U-10038 (Brown)

Screw Caps

Contents: 24 caps.

Description: Plastic caps press into drywall screw heads to offer a finished appearance to many homeowner projects.



N-7016

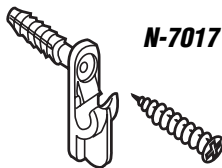
N-7016

Wire Shelf End Bracket

Contents: 2 brackets with screws.

Description: Plastic brackets used to attach wire shelving to side walls.

You may wish to stock these related parts: **N-7017**, **N-7018**, **N-7019**, **N-7020**.



N-7017

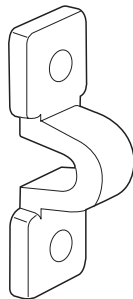
N-7017

Wire Shelf Wall Clip

Contents: 4 clips with screws.

Description: Plastic clip with built in anchor; used to secure back edge of wire rack to wall; use one clip every 12" inches.

You may wish to stock these related parts: **N-7016**, **N-7018**, **N-7019**, **N-7020**.



N-7018

N-7018

Wire Shelf Loop Clip

Contents: 4 clips with screws.

Description: Plastic clip used to clamp rear cross wire of shelf into wall stud for additional support.

You may wish to stock these related parts: **N-7016**, **N-7017**, **N-7019**, **N-7020**.



N-7019

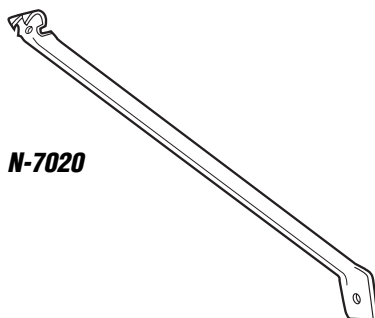
N-7019

Wire Shelf End Cap

Contents: 12 caps.

Description: Plastic end caps fit 5/16" wire; used to cap ends of cross wires on wire shelving; protects against sharp edges.

You may wish to stock these related parts: **N-7016**, **N-7017**, **N-7018**, **N-7020**.



N-7020

CCEP-7020

Wire Shelf Support Bracket (Bulk)

Contents: (10) 12" bracket.

Description: Powder coated steel bracket; supports wire shelving.

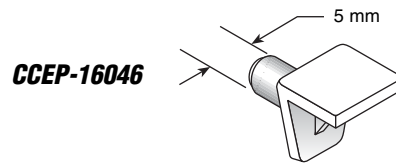
You may wish to stock these related parts: **N-7016**, **N-7017**, **N-7018**, **N-7019**.

CCEP-16046 (White)

Shelf Peg (5 mm)

Contents: 12 pegs/bag (50 bags/display box).

Description: Plastic shelf pegs with 5 mm (3/16") diameter peg; fits many K.D. style cabinets.

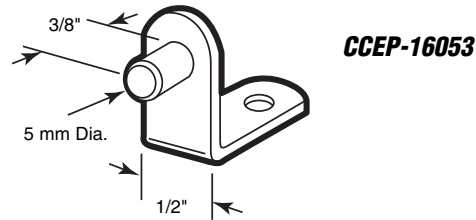


CCEP-16053 (Nickel plated)

Shelf Peg (5 mm)

Contents: 4 pegs/bag (50 bags/display box).

Description: Plated steel pegs with 5 mm (3/16") diameter peg; fits many K.D. style cabinets.

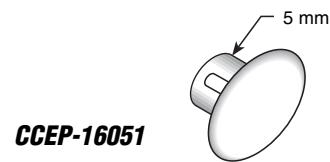


CCEP-16051 (White)

Hole Cap (5 mm)

Contents: 48/bag (50 bags/display box).

Description: Plastic hole caps neatly plug unused peg holes in many K.D. style cabinets; use in 5 mm (3/16") peg holes.

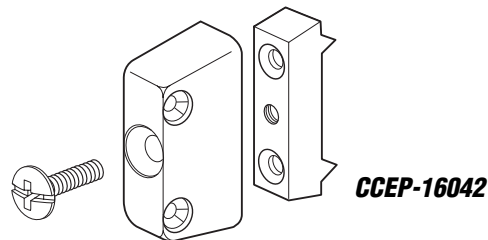


CCEP-16042 (White)

Corner Connectors

Contents: 4 connectors and (16) #6 x 1" Phillips flat head sheet metal screws (25 bags/display box).

Description: 2 piece plastic corner connectors simplify assembly of K.D. cabinet walls with strong overlap construction.

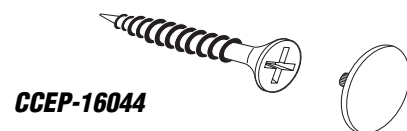


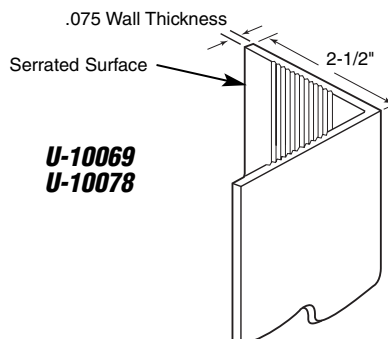
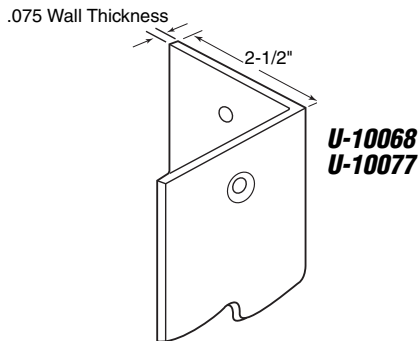
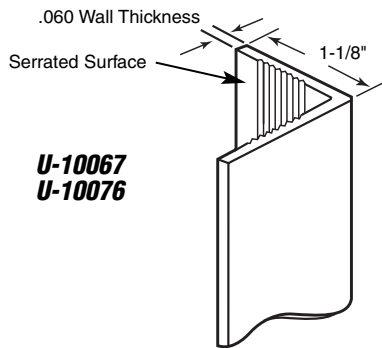
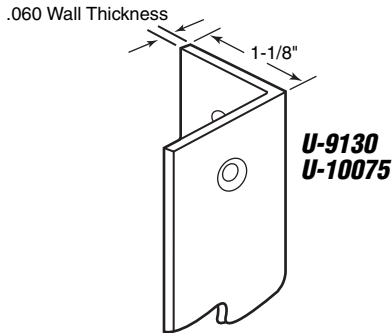
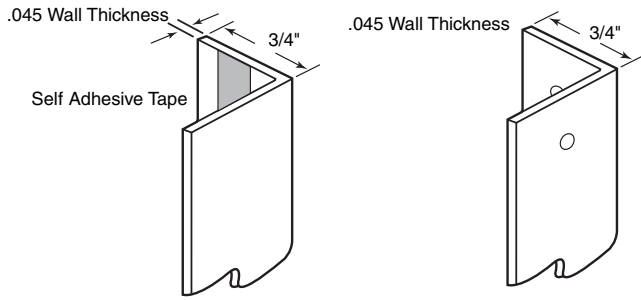
CCEP-16044

Screw and Cap

Contents: (12) #7 x 1-1/2" Phillips head fine drywall screws and 12 caps per bag (50 bags/display box).

Description: White plastic caps press into Phillips style screw heads to offer finished look; fits many K.D. style cabinet applications.





Corner Shields (3/4" x 3/4")

Contents: 1 piece; 1 set of drive nails or self adhesive backed.

	Color (Part Number)			
	Clear		White	
Length	w/holes	w/tape	w/holes	w/tape
48"	U-9129	U-10081	U-10084	U-10066
96"	U-10082	U-10083	U-10085	U-10086

Description: Extruded vinyl shield; used for protecting or repairing wall corners from chipped paint, torn wallpaper or fingerprints.

Note: Minimum order - 12 pieces.

U-9130 (48" long - with holes)

U-10075 (96" long - with holes)

Corner Shields (1-1/8" x 1-1/8")

Contents: 1 length; 1 set of #6 x 1" Phillips oval head sheet metal screws.

Description: Clear vinyl shield; pre-drilled with countersunk holes; used for protecting or repairing wall corners from chipped paint, torn wallpaper or fingerprints.

Note: Minimum order - 12 pieces.

U-10067 (48" long - no holes)

U-10076 (96" long - no holes)

Corner Shields (1-1/8" x 1-1/8")

Contents: 1 length.

Description: White vinyl shield; embossed serration on interior surface; apply latex silicon sealant to serrated surface and press on to corner; used for protecting or repairing wall corners from chipped paint, torn wallpaper or fingerprints.

Note: Minimum order - 12 pieces.

U-10068 (48" long - with holes)

U-10077 (96" long - with holes)

Corner Shields (2-1/2" x 2-1/2")

Contents: 1 length; 1 set of #6 x 1" Phillips oval head sheet metal screws.

Description: Clear vinyl shield; pre-drilled with countersunk holes; used for protecting or repairing wall corners from chipped paint, torn wallpaper or fingerprints.

Note: Minimum order - 6 pieces.

U-10069 (48" long - no holes)

U-10078 (96" long - no holes)

Corner Shields (2-1/2" x 2-1/2")

Contents: 1 length.

Description: White vinyl shield; embossed serration on interior surface; apply latex silicon sealant to serrated surface and press on to corner; used for protecting or repairing wall corners from chipped paint, torn wallpaper or fingerprints.

Note: Minimum order - 6 pieces.

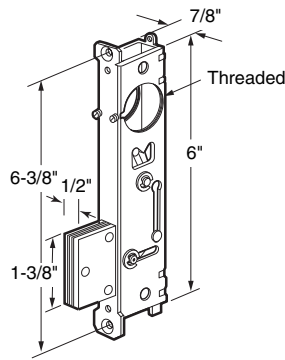
Part No.	Page No.	Description	Package Quantity	Standard Pack
J-4500 (27/32" backset)	J-1	Deadbolt Lock	1	1
J-4501 (1" backset)	J-1	Deadbolt Lock	1	1
J-4502 (1-1/8" backset)	J-1	Deadbolt Lock	1	1
J-4503 (31/32" backset)	J-1	Deadbolt Lock	1	1
J-4504 (1-1/8" backset)	J-1	Deadbolt Lock	1	1
J-4505	J-1	Deadbolt Lock	1	1
J-4507 (31/32" backset)	J-1	Deadbolt Lock	1	1
J-4509 (1-1/8" backset)	J-1	Deadbolt Lock	1	1
J-4510 (Aluminum)	J-5	Lock Indicator	1	6
J-4511 (Bronze)	J-5	Lock Indicator	1	6
J-4512 (Aluminum)	J-3	Mortise Key Cylinder	1	6
J-4513 (Bronze)	J-3	Mortise Key Cylinder	1	6
J-4514 (Aluminum)	J-3	Mortise Key Cylinders (Keyed alike)	2	6
J-4515 (Bronze)	J-3	Mortise Key Cylinders (Keyed alike)	2	6
J-4516 (Aluminum)	J-2	Extension Bolt (Flush mount)	1	1
J-4517 (48" long)	J-2	Bolt Assembly	1	1
J-4518 (78" long)	J-2	Bolt Assembly	1	1
J-4519 (For hex bolts)	J-3	Bolt Guide	2	6
J-4520 (For 1/2" square bolts)	J-3	Bolt Guide	2	6
J-4522 (Aluminum)	J-5	Floor Stop	1	6
J-4523 (Chrome finish)	J-9	Holder	1	6
J-4524 (Aluminum)	J-1	Deadbolt Lock (31/32" backset)	1	1
J-4525 (Bronze)	J-1	Deadbolt Lock (31/32" backset)	1	1
J-4526 (Aluminum)	J-2	Deadbolt Lock (1-1/8" backset)	1	1
J-4527 (Bronze)	J-2	Deadbolt Lock (1-1/8" backset)	1	1
J-4528 (Aluminum)	J-5	Lock Indicator	1	6
J-4529 (Bronze)	J-5	Lock Indicator	1	6
J-4530 (Aluminum)	J-4	Mortise Thumbturn Cylinder	1	6
J-4531 (Bronze)	J-4	Mortise Thumbturn Cylinder	1	6
J-4532 (Bronze)	J-2	Extension Bolt (Flush mount)	1	1
J-4533 (Bronze finish)	J-9	Holder	1	6
J-4534	J-5	Door Sign	1	6
J-4535 (Aluminum)	J-4	Cylinder Guard	1	6
J-4536 (Bronze)	J-4	Cylinder Guard	1	6
J-4537 (Chrome)	J-9	Holder	1	6
J-4538 (Bronze finish)	J-9	Holder	1	6
J-4539 (Brass finish)	J-9	Holder	1	6
J-4540 (Brushed stainless)	J-8	Wall Stop	1	6
J-4542 (Polished brass)	J-8	Wall Stop	1	6
J-4543 (Brass finish)	J-9	Holder	1	6
J-4544 (Brushed chrome)	J-6	Floor Stop (Dome type)	1	1
J-4545 (Brushed chrome)	J-6	Floor Stop (Dome type)	1	1
J-4547 (Brushed chrome)	J-7	Floor Stop	1	1
J-4550 (Polished brass)	J-9	Wall Stop	1	6
J-4551 (Aluminum finish)	J-10	Holder	1	6
J-4552 (Bronze finish)	J-10	Holder	1	6
J-4554 (Polished brass)	J-6	Floor Stop (Dome type)	1	1
J-4555 (Polished brass)	J-6	Floor Stop (Dome type)	1	1
J-4556 (Black twist-In)	J-10	Holder Tip	2	6
J-4557 (Black with screw)	J-10	Holder Tip	2	6
J-4558 (Aluminum)	J-2	Mortise Deadlock (1-1/8" backset)	1	1
J-4559 (Bronze)	J-2	Mortise Deadlock (1-1/8" backset)	1	1
J-4560 (Aluminum)	J-4	Radiused Faceplate	1	1
J-4561 (Bronze)	J-4	Radiused Faceplate	1	1
J-4562 (Aluminum)	J-4	Radiused Faceplates With Mohair	1	1

INDEX - Commercial Door

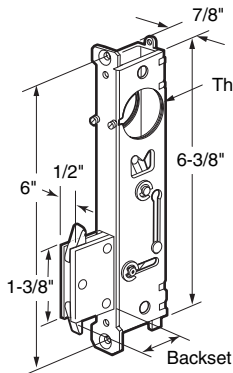
Part No.	Page No.	Description	Package Quantity	Standard Pack
J-4563 (Bronze)	J-4	Radiused Faceplates With Mohair	1	1
J-4564	J-3	Flush Bolt Guide	1	6
J-4565	J-3	Extension Bolt Rod Tip	2	6
J-4566 (Gray)	J-9	Stop Mount Silencer	100	1
J-4567 (Aluminum)	J-4	Radiused Faceplate	1	1
J-4568 (Bronze)	J-4	Radiused Faceplate	1	1
J-4570 (Polished brass)	J-9	Wall Stop	1	6
J-4571 (Brushed chrome)	J-10	Holder	1	1
J-4572 (Polished brass)	J-10	Holder	1	1
J-4573 (Brushed chrome)	J-6	Floor Stop	1	1
J-4574 (Aluminum)	J-2	Exit Door Deadlatch (1-1/8" backset)	1	1
J-4575 (Bronze)	J-2	Exit Door Deadlatch (1-1/8" backset)	1	1
J-4576 (Aluminum)	J-5	Radiused Faceplate	1	1
J-4577 (Bronze)	J-5	Radiused Faceplate	1	1
J-4578 (Polished brass)	J-12	Oval Handle Pull Plate	1	1
J-4579 (Satin aluminum)	J-12	Oval Handle Pull Plate	1	1
J-4580 (Polished brass)	J-13	Push Plate (4" x 16")	1	5
J-4581 (Satin aluminum)	J-13	Push Plate (4" x 16")	1	5
J-4592 (Brushed aluminum)	J-6	Floor Stop	1	6
J-4593 (Bronze finish)	J-6	Floor Stop	1	6
J-4594 (Brass finish)	J-10	Door Holder (Plunger style)	1	1
J-4595 (Aluminum)	J-10	Door Holder (Plunger style)	1	1
J-4596 (Polished brass)	J-7	Wall Stop	1	1
J-4597 (Brushed chrome)	J-7	Wall Stop	1	1
J-4598 (Brass finish)	J-8	Wall Stop with Holder	1	1
J-4599 (Dull chrome)	J-8	Wall Stop with Holder	1	1
J-4600 (Polished brass)	J-7	Floor Stop	1	1
J-4601 (Polished brass)	J-7	Floor Stop with Holder	1	1
J-4602 (Brushed chrome)	J-7	Floor Stop with Holder	1	1
J-4603 (Brushed chrome)	J-7	Floor Stop	1	1
J-4609	J-11	Hydraulic Door Closer (Dual valve)	1	1
J-4610	J-11	Hydraulic Door Closer (Dual valve)	1	1
J-4611	J-11	Hydraulic Door Closer (Dual valve)	1	1
J-4612	J-11	Hydraulic Door Closer (Dual valve)	1	1
J-4613 (White with screw)	J-10	Holder Tip	2	6
J-4614 (Polished brass)	J-7	Floor Stop	1	1
J-4615 (Polished brass)	J-6	Floor Stop	1	1
J-4616 (Satin aluminum)	J-13	Kick Plate (8" x 34")	1	5
J-4617 (Polished brass)	J-13	Kick Plate (8" x 34")	1	5
J-4618 (Brite brass)	J-13	Kick Plate (8" x 34")	1	5
J-4619 (Stainless steel)	J-13	Kick Plate (8" x 34")	1	5
J-4620 (Satin aluminum)	J-13	Kick Plate (10" x 34")	1	5
J-4621 (Polished brass)	J-13	Kick Plate (10" x 34")	1	5
J-4622 (Brite brass)	J-13	Kick Plate (10" x 34")	1	5
J-4623 (Stainless steel)	J-13	Kick Plate (10" x 34")	1	5
J-4626 (Stainless steel)	J-13	Push Plate (4" x 16")	1	5
J-4630 (Brite-brass finish on aluminum)	J-13	Push Plate (4" x 16")	1	5
J-4631 (Painted bronze)	J-13	Kick Plate (8" x 34")	1	5
J-4638 (Painted bronze)	J-13	Kick Plate (10" x 34")	1	5
J-4640 (Satin aluminum)	J-12	Round Handle Pull Plate	1	1
J-4641 (Polished brass)	J-12	Round Handle Pull Plate	1	1
J-4643 (Stainless steel)	J-12	Round Handle Pull Plate	1	1
J-4647 (Brushed chrome)	J-9	Wall Stop	1	6
J-4648 (Bronze)	J-9	Wall Stop	1	6
J-4649 (Brushed stainless)	J-9	Wall Stop	1	6

Part No.	Page No.	Description	Package Quantity	Standard Pack
J-4650 (Brite chrome)	J-9	Wall Stop	1	6
J-4652 (Brushed chrome)	J-7	Floor Stop	1	1
J-4653 (Polished brass)	J-7	Floor Stop	1	1
J-4654 (Bronze finish)	J-7	Floor Stop	1	1
J-4657 (Satin aluminum)	J-13	Pull Handle (Oval)	1	1
J-4658 (Polished brass)	J-13	Pull Handle (Oval)	1	1
J-4659 (Satin aluminum)	J-13	Pull Handle (3/4" round)	1	1
J-4660 (Polished brass)	J-13	Pull Handle (3/4" round)	1	1
J-4668 (Painted bronze)	J-12	Round Handle Pull Plate	1	1
J-4681 (Dull Chrome)	J-10	4" Dutch Door Surface Bolt	1	1
J-4686 (Bronze painted aluminum)	J-13	Push Plate (4" x 16")	1	5
J-4702 (Satin aluminum)	J-13	Kick Plate (6" x 34")	1	5
J-4703 (Brite brass)	J-13	Kick Plate (6" x 34")	1	5
J-4704 (Polished brass)	J-13	Kick Plate (6" x 34")	1	5
J-4705 (Polished brass)	J-8	Wall Stop	1	6
J-4706	J-11	Hydraulic Door Closer (Dual valve)	1	1
J-4707	J-11	Hydraulic Door Closer (Dual valve)	1	1
J-4708 (Stainless steel)	J-13	Kick Plate (6" x 34")	1	5
J-4713 (Clear polyurethane)	J-8	Wall Stop	4	6
J-4724 (Polished chrome)	J-9	Wall Stop	1	6
J-4728 (Aluminum finish)	J-12	Adjustable Hydraulic Door Closer	1	1
J-4770 (Brushed stainless)	J-9	Wall Stop	1	6
J-4771 (Dull brass)	J-8	Wall Stop	1	6
J-4772 (Dull bronze)	J-8	Wall Stop	1	6
J-4773 (Brite chrome)	J-8	Wall Stop	1	6
J-4774 (Satin chrome)	J-8	Wall Stop	1	6
J-4775 (Dull brass)	J-8	Wall Stop	1	6
J-4776 (Dull bronze)	J-8	Wall Stop	1	6
J-4777 (Brite chrome)	J-8	Wall Stop	1	6
J-4778 (Satin chrome)	J-8	Wall Stop	1	6
J-4779 (Brite brass)	J-8	Wall Stop	1	6
J-4780 (Stainless steel)	J-13	Pull Handle	1	1
J-4781 (Bronze painted aluminum)	J-13	Pull Handle	1	1
U-9164 (Dull chrome)	J-14	Full Mortise Hinge (4.5" x 4.5")	3	1
U-9165 (Prime coat)	J-14	Full Mortise Hinge (4.5" x 4.5")	3	1
U-9166 (Dull chrome)	J-14	Full Mortise Hinge (4.5" x 4.5")	3	1
U-9167 (Prime coat)	J-14	Full Mortise Hinge (4.5" x 4.5")	3	1
U-9168 (Dull chrome)	J-14	Spring Hinge (4.5" x 4.5")	1	1
U-9169 (Prime coat)	J-14	Spring Hinge (4.5" x 4.5")	1	1
U-9225 (Dull brass)	J-14	Spring Hinge (3.5" x 3.5")	1	1
U-9251 (Prime coat)	J-14	Spring Hinge (4" x 4")	1	1
U-9315 (Dull brass)	J-14	Spring Hinge (4.5" x 4.5")	1	1
U-9339 (Dull brass)	J-14	Spring Hinge (4" x 4")	1	1
U-10022 (Dull brass)	J-14	Full Mortise Hinge (3.5" x 3.5")	2	1
U-10023 (Dull brass)	J-14	Full Mortise Hinge (3.5" x 3.5")	2	1
U-10024 (Dull chrome)	J-14	Spring Hinge (3.5" x 3.5")	1	1
U-10025 (Dull chrome)	J-14	Spring Hinge (3.5" x 3.5")	1	1
U-10026 (Dull brass)	J-14	Spring Hinge (4" x 4")	1	1
U-10028 (Dull brass)	J-14	Full Mortise Hinge (3.5" x 3.5")	2	1
U-10029 (Dull brass)	J-14	Full Mortise Hinge (3.5" x 3.5")	2	1
U-10030 (Dull brass)	J-14	Full Mortise Hinge (4" x 4")	2	1
U-10031 (Dull brass)	J-14	Full Mortise Hinge (4.5" x 4.5")	3	1
U-10032 (Dull brass)	J-14	Full Mortise Hinge (4.5" x 4.5")	3	1

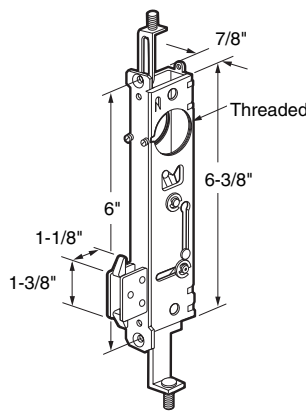
**J-4500
J-4501
J-4502**



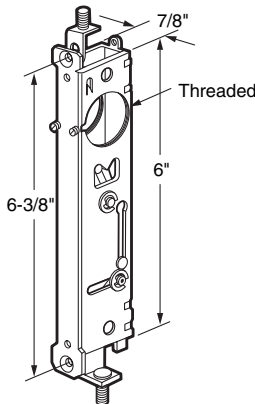
**J-4503
J-4504**



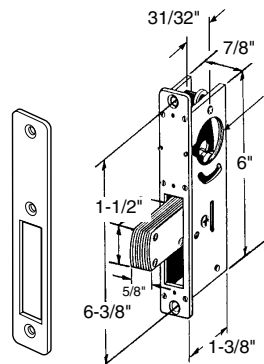
**J-4507
J-4509**



J-4505



**J-4524
J-4525**



J-4500 (27/32" backset)
J-4501 (1" backset)
J-4502 (1-1/8" backset)

*Call for
Availability*

Deadbolt Lock

Contents: 1 deadbolt lock; 1 set of installation screws.

Description: **Steel housing;** single-point deadbolt lock for pivoting doors; **laminated steel bolt.**

Part no. J-4567 Faceplate (Aluminum finish)
J-4568 Faceplate (Brass finish)

J-4503 (31/32" backset)
J-4504 (1-1/8" backset)

*Call for
Availability*

Deadbolt Lock

Contents: 1 deadbolt lock; 1 set of installation screws.

Description: **Steel housing;** single-point deadbolt lock for pivoting or sliding doors; has anti-jimmy bolt with two secondary expanding bolts. Used to replace **W&F series 6000**, or comparable locks.

Part No. J-4567 Faceplate (Aluminum finish)
J-4568 Faceplate (Brass finish)

J-4507 (31/32" backset)
J-4509 (1-1/8" backset)

*Call for
Availability*

Deadbolt Lock

Contents: 1 deadbolt lock; 1 set of installation screws.

Description: **Steel housing;** three-point deadbolt lock for pivoting or sliding doors; locks at jamb, header and threshold; anti-jimmy type bolt has **hardened steel plates** and expanding secondary bolts. Used to replace **W&F series 6000**, or comparable locks.

Part no: J-4567 Faceplate (Aluminum finish)
J-4568 Faceplate (Brass finish)

J-4505

*Call for
Availability*

Deadbolt Lock

Contents: 1 deadbolt lock; 1 set of installation screws.

Description: **Steel housing;** two-point deadbolt lock for pivoting or sliding doors; locks at header and threshold.

J-4524 (Aluminum)
J-4525 (Bronze)

Deadbolt Lock (31/32" backset)

Contents: 1 deadbolt lock **with face plate;** 1 set of installation screws.

Description: **Steel housing;** **laminated steel bolt,** activated by a pivot mechanism, provides maximum security for any single door; **aluminum** faceplate.

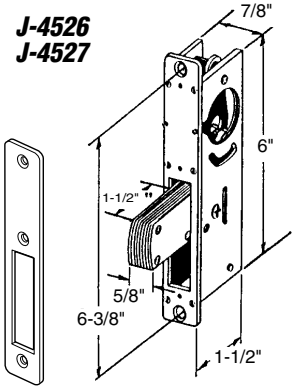
J-4526 (Aluminum)
J-4527 (Bronze)

Deadbolt Lock (1-1/8" backset)

Contents: 1 deadbolt lock **with faceplate**; 1 set of installation screws.

Description: **Steel housing; laminated steel bolt**, activated by a pivot mechanism, provides maximum security for any single door; **anodized aluminum** faceplate.

You may also wish to stock these related parts: **J-4512 thru J-4515**.



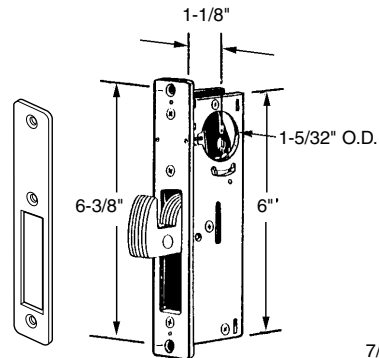
J-4558 (Aluminum)
J-4559 (Bronze)

Mortise Deadlock (1-1/8" backset)

Contents: 1 mortise deadlock **with faceplate**; 1 set of installation screws.

Description: **Steel construction** swing hook lock for commercial use; for sliding store front doors; **anodized aluminum** faceplate.

You may wish to stock these related parts: **J-4560, J-4561, J-4562, J-4563**.



J-4558
J-4559

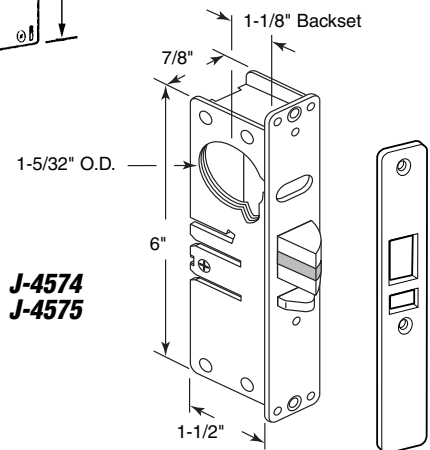
J-4574 (Aluminum)
J-4575 (Bronze)

Exit Door Deadlatch (1-1/8" backset)

Contents: 1 deadlatch lock **with faceplate**; 1 set of installation screws.

Description: Deadlatch allows exit only feature; commonly used after hours, for traffic control; **anodized aluminum** faceplate.

You may wish to stock these related parts: **J-4512 thru J-4515**.



J-4574
J-4575

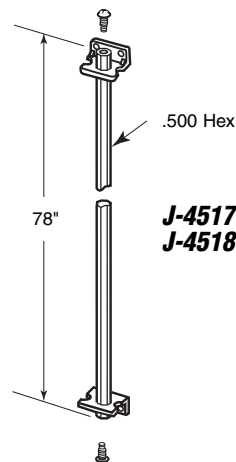
J-4517 (48" long)
J-4518 (78" long)

Bolt Assembly

Contents: 1 hex bolt; 2 hex guides; 1 set of installation screws.

Description: Hex bolt assembly for use in "Two Point" or "Three Point" lock installation; **extruded aluminum** bolt with **nylon** guides. Select appropriate length bolt assembly by determining door length.

You may wish to stock these related parts: **J-4505, J-4507, J-4509, J-4519**.



J-4517
J-4518

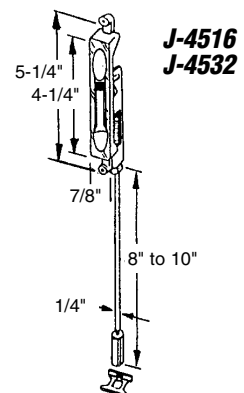
J-4516 (Aluminum)
J-4532 (Bronze)

Extension Bolt (Flush mount)

Contents: 1 extension bolt with installation screws.

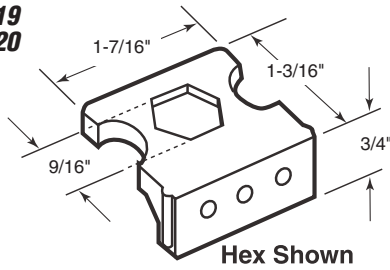
Description: **Diecast** extension bolt housing with adjustable (8"-10") bolt rod; for locking aluminum and steel doors; can be mounted to latch top or bottom of door.

You may wish to stock these related parts: **J-4564, J-4565**.



J-4516
J-4532

J-4519
J-4520



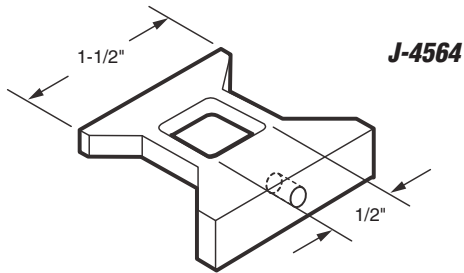
J-4519 (For hex bolts)
J-4520 (For 1/2" square bolts)

Bolt Guides

Contents: 2 guides; 2 sets of installation screws.

Description: Nylon guides secure bolt assembly to header and threshold; normal application is 2 per door.

You may wish to stock these related parts: **J-4516, J-4517, J-4518, J-4532.**



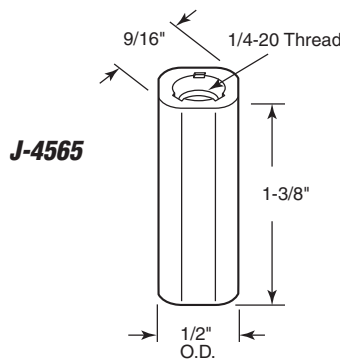
J-4564

J-4564

Flush Bolt Guide

Contents: 1 nylon guide; installation screws.

Description: Guides bolt assembly when in operation; normal application is 2 per door. Use with **J-4516** and **J-4532** extension bolts.



J-4565

J-4565

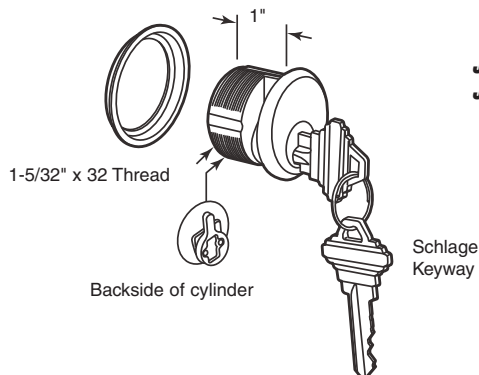
Extension Bolt Rod Tips

Contents: 2 tips.

Description: Nylon tips thread onto extension bolts of **J-4516** and **J-4532**.

You may wish to stock these related parts: **J-4516, J-4519, J-4532.**

Call for Availability



J-4512
J-4513

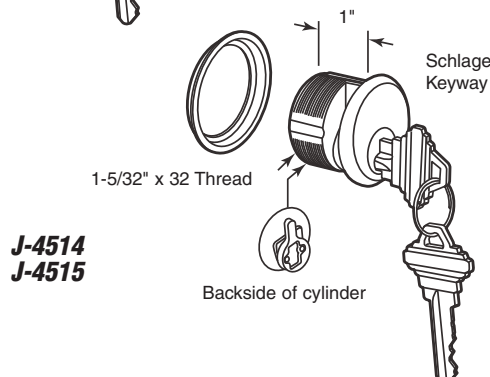
J-4512 (Aluminum)
J-4513 (Bronze)

Mortise Key Cylinder

Contents: 1 cylinder with trim ring, 1 key.

Description: Heavy duty, pressure cast zamac construction; 1" length; standard 1-5/32" x 32 thread; **Schlage** keyway.

You may wish to stock these related parts: **J-4510, J-4511, J-4530; J-4531, J-4535, J4536.**



J-4514
J-4515

J-4514 (Aluminum)
J-4515 (Bronze)

Mortise Key Cylinders (Keyed alike)

Contents: 2 cylinders with trim rings; 2 keys.

Description: Heavy duty; pressure cast zamac construction; 1" length; standard 1-5/32" x 32 thread; **Schlage** keyway.

You may wish to stock these related parts: **J-4510, J-4511, J-4530; J-4531, J-4535, J4536.**

J-4530 (Aluminum)
J-4531 (Bronze)

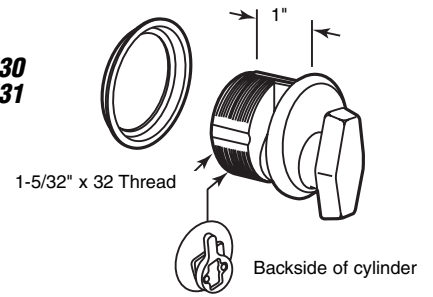
Mortise Thumbturn Cylinder

Contents: 1 thumbturn with 1/4" thick trim ring.

Description: Heavy duty; **pressure cast zamac** construction; interchanges with standard 1-5/32" cylinder lock.

You may also wish to stock these related parts: **J-4512, J-4513, J-4535, J-4536.**

J-4530
J-4531



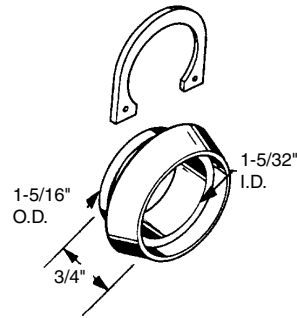
J-4535 (Aluminum)
J-4536 (Bronze)

Cylinder Guard

Contents: 1 cylinder guard; 1 aluminum washer; 1 spring steel security C-clip.

Description: Secures any 1-5/32" diameter cylinder from "Twist-Off" or "Pry-Off" break-in attempts; diecast cylinder guard protects cylinder face from prying tool; also spins freely when attacked by any gripping device.

You may also wish to stock these related parts: **J-4512 thru J-4515.**



J-4535
J-4536

J-4560 (Aluminum)
J-4561 (Bronze)

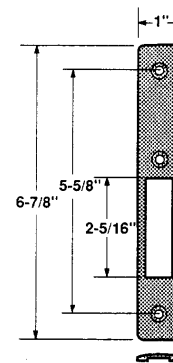
Radiused Faceplates

Contents: 1 faceplate; 1 set of installation screws.

Description: Clear anodized or bronze finished aluminum faceplates; radiused; for use with J-4558 and J-4559 mortise locks.

You may wish to stock these related parts: **J-4558, J-4559.**

J-4560
J-4561



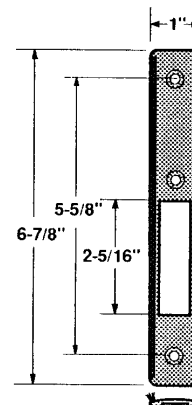
J-4562 (Aluminum)
J-4563 (Bronze)

Radiused Faceplates With Mohair

Contents: 1 faceplate; 1 set of installation screws.

Description: Clear anodized or bronze finished aluminum faceplates; **Mohair pile weatherstrip**; radiused; for use with J-4558 and J-4559 mortise locks.

You may wish to stock these related parts: **J-4558, J-4559.**



J-4562
J-4563

J-4567 (Aluminum)
J-4568 (Bronze)

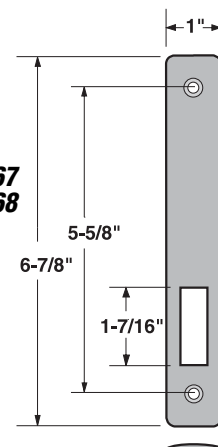
Radiused Faceplates

Contents: 1 faceplate; 1 set of installation screws.

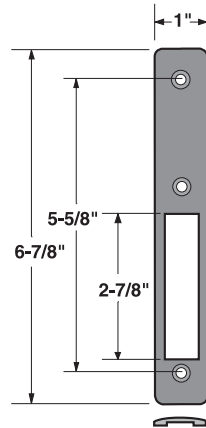
Description: Clear anodized or bronze finished aluminum faceplates; radiused; for use with no. J-4500, J-4501, J-4502, J-4503, J-4504, J-4507, J-4509 mortise locks.

You may also wish to stock these related parts: **J-4512, J-4513, J-4514, J-4515.**

J-4567
J-4568



J-4576
J-4577



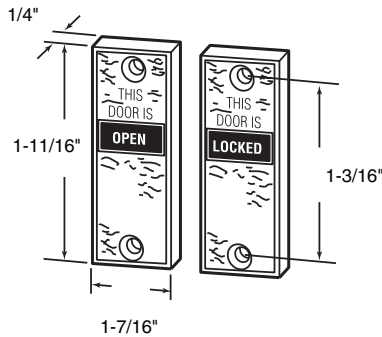
J-4576 (Aluminum)
J-4577 (Bronze)

Radiused Faceplates

Contents: 1 faceplate: 1 set of installation screws.

Description: Clear anodized or bronze finished aluminum faceplates; radiused; for use with J-4524, J-4525, J-4526, J-4527 mortise locks.

You may wish to stock these related parts: **J-4512, J-4513, J-4514, J-4515.**



J-4510
J-4511

J-4510 (Aluminum)
J-4511 (Bronze)

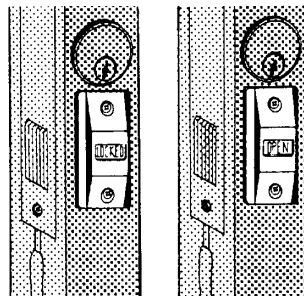
Lock Indicator

Contents: 1 faceplate; 1 "Open/Locked" sticker; nylon slide; installation parts & screws.

Description: Diecast lock indicator gives instant visual assurance that deadbolt lock is either "open" or "locked"; easily mounted to installed lock; meets requirements of Uniform Building Code.

You may also wish to stock these related part: **J-4503, J-4504, J-4507, J-4509, J-4512 thru J-4515, J-4528, J-4529, J-4534.**

J-4528
J-4529



J-4528 (Aluminum)
J-4529 (Bronze)

Lock Indicator

Contents: 1 lock indicator assembly; 2 assembly pins; 2 no. 8 machine screws.

Description: Diecast open/locked indicator; for use on store front locks; meets requirements of Uniform Building Code.

You may also wish to stock these related parts: **J-4524 thru J-4527.**

J-4534



Actual Sign Reads:
"THIS DOOR TO REMAIN OPEN DURING BUSINESS HOURS"

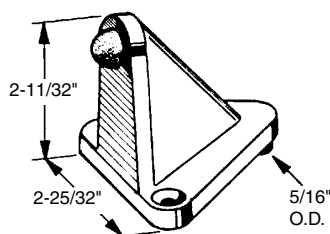
J-4534

Door Sign

Contents: 1 sign.

Description: Usually required at front exit of store; **black lettering on silver background**; reflective gloss finish; **1-1/2" wide x 30" long**; **pressure sensitive adhesive backing** permanently adheres to aluminum surfaces.

J-4522



J-4522 (Aluminum)

Floor Stop

Contents: 1 stop with installation screws.

Description: Diecast stop is floor mounted; heavy duty **rubber bumper insert**; **burnished aluminum finish.**

You may wish to stock these related parts: **J-4544, J-4545, J-4547.**

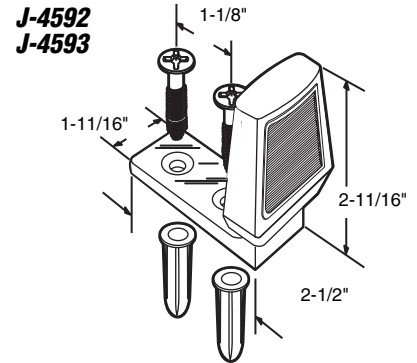
J-4592 (Brushed aluminum)
J-4593 (Bronze finish)

Floor Stop

Contents: 1 stop; 1 set of installation fasteners.

Description: Wrought steel with soft resilient rubber bumper, used on under cut doors up to 1-1/2".

You may also wish to stock these related parts: **J-4544** and **J-4545**.

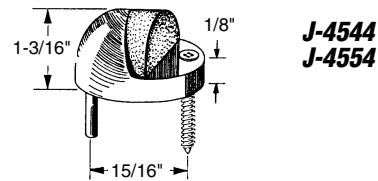


J-4544 (Brushed chrome)
J-4554 (Polished brass)

Floor Stop (Dome type)

Contents: 1 stop; 1 set of installation fasteners.

Description: Cast brass door stop with rubber bumper; mounts to floor. Meets ANSI standards.



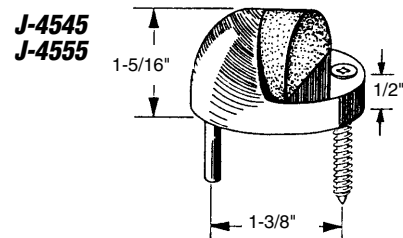
J-4545 (Brushed chrome)
J-4555 (Polished brass)

Floor Stop (Dome type)

Contents: 1 stop; 1 set of installation fasteners.

Description: Cast brass door stop with rubber bumper; for residential or commercial use; mounts to floor. Meets ANSI standards.

You may also wish to stock these related parts: **J-4553**, **J-4554**.



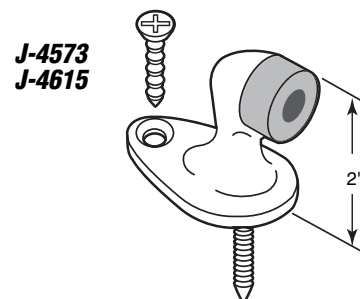
J-4573 (Brushed chrome)
J-4615 (Polished brass)

Floor Stop

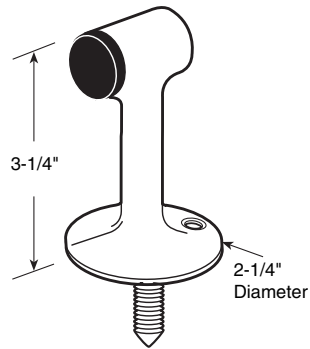
Contents: 1 stop; 1 set of installation fasteners.

Description: Solid brass door stop with rubber bumper. 1 installation screw is concealed under base of bumper. Meets ANSI standards.

You may also wish to stock this related part: **J-4572**.



J-4547
J-4614



J-4547 (Brushed chrome)

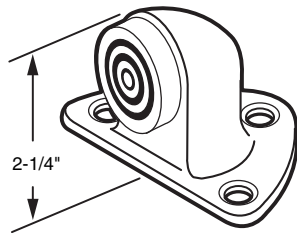
J-4614 (Polished brass)

Floor Stop

Contents: 1 stop; 1 set of installation fasteners.

Description: Cast brass door stop with rubber bumper; mounts to floor. Meets ANSI standards.

J-4652
J-4653
J-4654



J-4652 (Brushed chrome)

J-4653 (Polished brass)

J-4654 (Bronze finish)

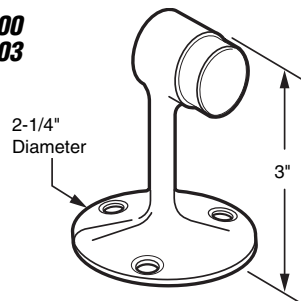
Floor Stop

Contents: 1 stop; 1 set of installation fasteners.

Description: Cast brass door stop with rubber bumper; mounted to floor.

You may wish to stock these related parts: **J-4592; J-4593.**

J-4600
J-4603



J-4600 (Polished brass)

J-4603 (Brushed chrome)

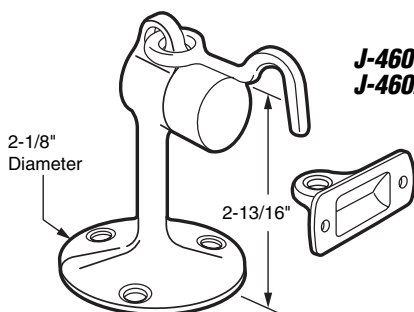
Floor Stop

Contents: 1 stop; 1 set of installation fasteners.

Description: Solid brass stop with rubber bumper; uses 3 screws and 1 lag bolt for mounting.

You may wish to stock these related parts: **J-4598 and J-4599.**

J-4601
J-4602



J-4601 (Polished brass)

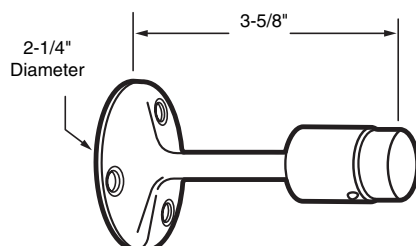
J-4602 (Brushed chrome)

Floor Stop with Holder

Contents: 1 hook mounted door stop; 1 holder; 1 anchor bolt with installation fasteners.

Description: Solid brass floor mount stop with rubber bumper; has built in hook to hold door in open position.

J-4596
J-4597



J-4596 (Polished brass)

J-4597 (Brushed chrome)

Wall Stop

Contents: 1 stop; 1 lag bolt; 1 set of installation fasteners.

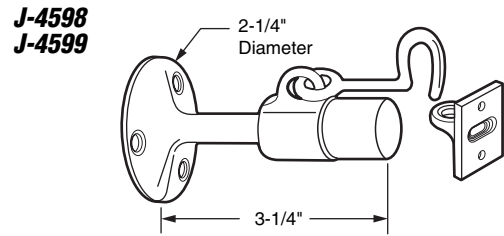
Description: Cast brass wall mounted stop with rubber bumper to cushion door.

J-4598 (Brass finish)
J-4599 (Dull chrome)

Wall Stop with Holder

Contents: 1 hook mounted stop; 1 holder; 1 machine bolt with anchor; 1 set of installation fasteners.

Description: **Solid brass** stop with **rubber** bumper has built in hook to hold door in open position.

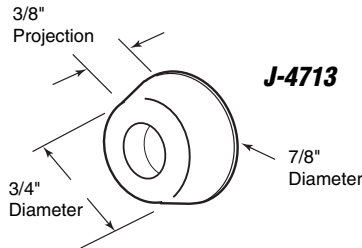


J-4713 (Clear polyurethane)

Wall Stop

Contents: 4 stops.

Description: 1" clear **polyurethane** stop, **self adhesive**, no tools required.



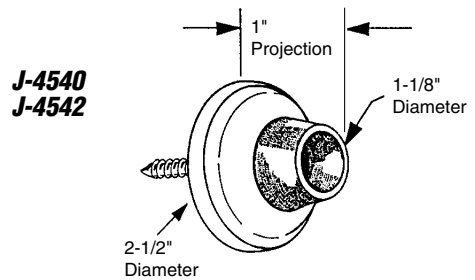
J-4540 (Brushed stainless)
J-4542 (Polished brass)

Wall Stop

Contents: 1 Stop assembly; 1 anchor and installation screw.

Description: **Steel** retainer plate with **stamped stainless steel or brass cover** allows for concealed fastening; screw installs through retainer plate into wall anchor; **concave rubber** bumper.

You may wish to stock these related parts: **J-4544 thru J-4555.**



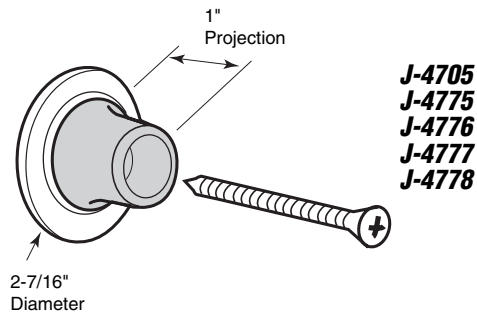
J-4705 (Brite brass)
J-4775 (Dull brass)
J-4776 (Dull bronze)
J-4777 (Brite chrome)
J-4778 (Satin chrome)

Wall Stop

Contents: 1 stop assembly; 1 anchor and installation screw.

Description: **Plated cast zinc base** allows for concealed fastening; screw mounts thru base plate; **concave rubber** bumper.

You may wish to stock these related parts: **J-4544 thru J-4555.**



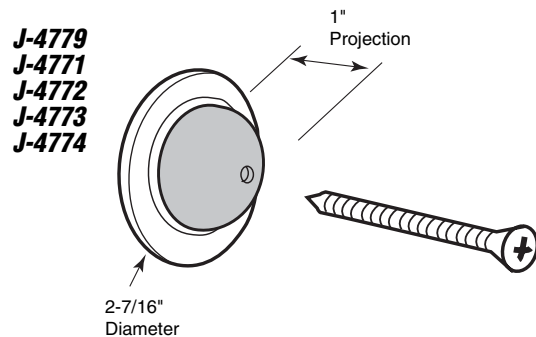
J-4779 (Brite brass)
J-4771 (Dull brass)
J-4772 (Dull bronze)
J-4773 (Brite chrome)
J-4774 (Satin chrome)

Wall Stop

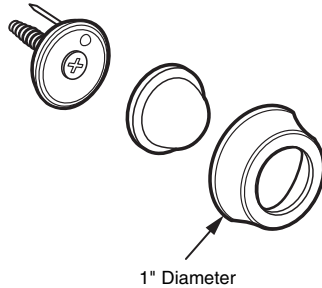
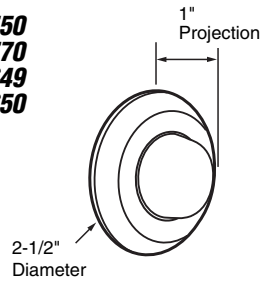
Contents: 1 stop assembly; 1 anchor and installation screw.

Description: **Plated cast zinc base** allows for concealed fastening; screw installs through retainer plate into wall anchor; **convex rubber** bumper.

You may wish to stock these related parts: **J-4544 thru J-4555.**

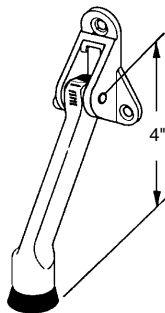
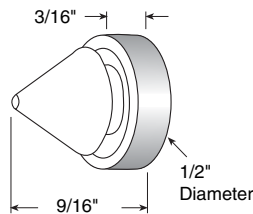


J-4550
J-4770
J-4649
J-4650



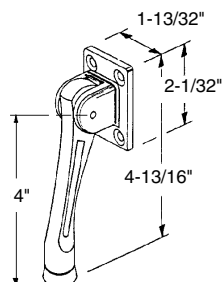
J-4570
J-4647
J-4648
J-4724

J-4566



J-4523
J-4533
J-4543

J-4537
J-4538
J-4539



J-4550 (Polished brass)
J-4770 (Dull brass)
J-4649 (Brushed stainless)
J-4650 (Brite chrome)

Wall Stop

Contents: 1 stop assembly; 1 anchor and installation screws.

Description: Steel retainer plate with stamped brass or stainless steel cover allows for concealed fastening; screw installs through steel retainer plate into wall anchor; convex rubber bumper.

J-4570 (Polished brass)
J-4647 (Brushed chrome)
J-4648 (Bronze)
J-4724 (Polished chrome)

Wall Stop

Contents: 1 stop assembly; installation fasteners.

Description: Solid cast brass or bronze, threaded collar and base; convex rubber bumper; miniature size. Projection from wall to rubber tip is 9/16".

J-4566 (White)

Stop Mount Silencer

Contents: 100 silencers.

Description: Rubber bumpers or silencers; used on hollow metal jambs to deter noise when closing and to improve firm latching.

J-4523 (Chrome finish)
J-4533 (Bronze finish)
J-4543 (Brass finish)

Holder

Contents: 1 holder; 1 set of installation screws.

Description: Zinc diecast holder with rubber tip; spring loaded to hold in "Up" position; good for commercial or residential application.

You may also wish to stock these related parts: **J-4551, J-4552, J-4556, J-4557.**

J-4537 (Chrome)
J-4538 (Bronze finish)
J-4539 (Brass finish)

Holder

Contents: 1 holder; 1 set of installation screws.

Description: Heavy duty diecast stop with rubber tip; 4 hole mounting; for commercial and residential application.

You may also wish to stock these related parts: **J-4523, J-4533, J-4543, J-4557.**

Commercial Door

J-4551 (Aluminum finish)

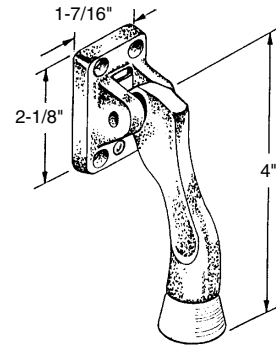
J-4552 (Bronze finish)

Holder

Contents: 1 holder; 1 set of installation screws.

Description: Heavy **cast iron, spring loaded** holder with 4-hole mounting; **rubber tip**; for commercial use.

You may also wish to stock these related parts: **J-4523, J-4533, J-4543.**



J-4551
J-4552

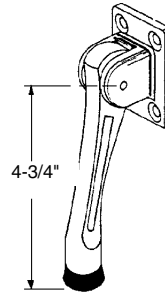
J-4571 (Brushed chrome)

J-4572 (Polished brass)

Holder

Contents: 1 holder; 1 set of installation screws.

Description: Heavy **cast brass** holder; 4 hole mounting; **rubber tip**. Meets ANSI standards for commercial use.



J-4571
J-4572

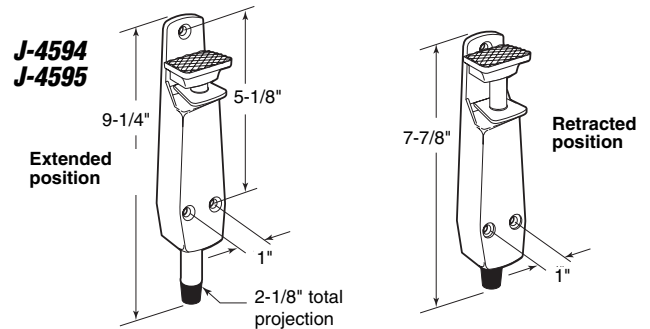
J-4594 (Brass finish)

J-4595 (Aluminum)

Door Holder (Plunger style)

Contents: 1 holder; 1 set of installation screws.

Description: **Plated or painted diecast**, spring loaded, door holder; large rubber foot treadle for easy step-on application; toe operated release mechanism



J-4594
J-4595

J-4556 (Black twist-In)

J-4557 (Black with screw)

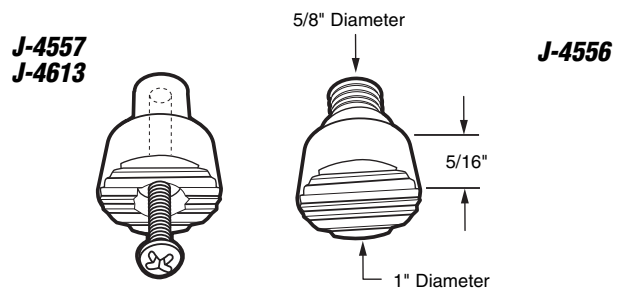
J-4613 (White with screw)

Holder Tip

Contents: 2 rubber tips.

Description: Replaces worn out tips on drop down door holders.

You may wish to stock these related parts: **J-4523, J-4533, J-4537, J-4538, J-4539, J-4543, J-4551, J-4552.**



J-4557
J-4613

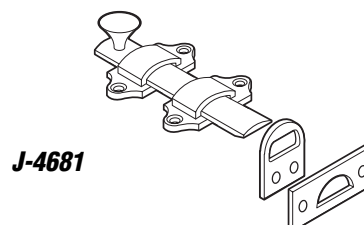
J-4556

J-4681 (Dull Chrome)

4" Dutch Door Surface Bolt

Contents: 1 slide bolt assembly; 2 keepers; installation screws.

Description: **Plated cast brass**; **cast strike** for application without a shelf and a **stamped** flat mortise strike.



J-4681

Hydraulic Door Closers (Dual valve)

Contents: 1 closer; and all necessary hardware and fasteners.

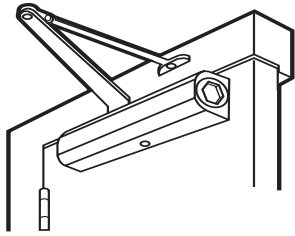
Painted Finish-Part Number

<i>Aluminum</i>	<i>Bronze</i>	<i>Duty Rating</i>
J-4609	J-4610	# 2 Regular
J-4611	J-4612	# 3 Medium
J-4706	J-4707	# 4 Heavy

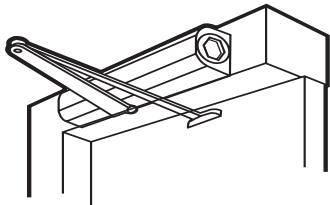
Description: Cast aluminum body in painted finishes.

Features:

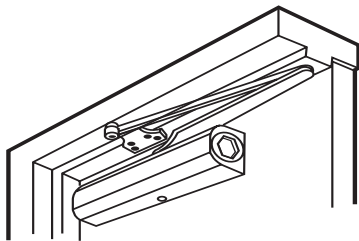
- U.L. Listed
- Dual valves control closing and latching speeds
- Rack and pinion operation
- Non-handed
- Hydraulic fluid for any climate operation & constant lubrication
- Mounts to most glass & aluminum doors without special adapters
- Heavy duty threaded adjustable arm with lock nut.



Standard

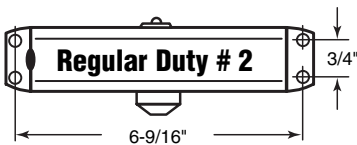


Top Jamb



Parallel Arm

Body Mounting Specifications



Standard or Top Jamb Installation

Fits Door Size:

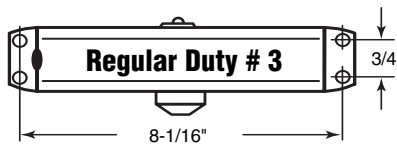
- Interior:** Out Swing 36"
In Swing 36"
- Exterior:** Out Swing 32"
In Swing 28"

Parallel Arm Installation

Fits Door Size:

- Interior:** Out Swing 32"
In Swing 32"
- Exterior:** Out Swing 28"
In Swing 24"

Door Weight 55 -100 lbs.



Standard or Top Jamb Installation

Fits Door Size:

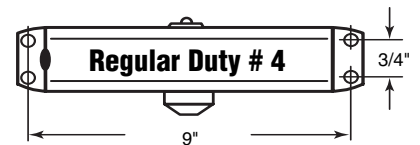
- Interior:** Out Swing 42"
In Swing 42"
- Exterior:** Out Swing 36"
In Swing 32"

Parallel Arm Installation

Fits Door Size:

- Interior:** Out Swing 36"
In Swing 36"
- Exterior:** Out Swing 32"
In Swing 28"

Door Weight 80-140 lbs.



Standard or Top Jamb Installation

Fits Door Size:

- Interior:** Out Swing 48"
In Swing 48"
- Exterior:** Out Swing 42"
In Swing 36"

Parallel Arm Installation

Fits Door Size:

- Interior:** Out Swing 42"
In Swing 42"
- Exterior:** Out Swing 36"
In Swing 32"

Door Weight 115 - 180 lbs.


Commercial Door

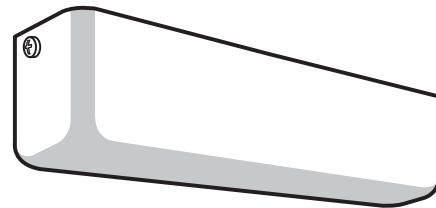
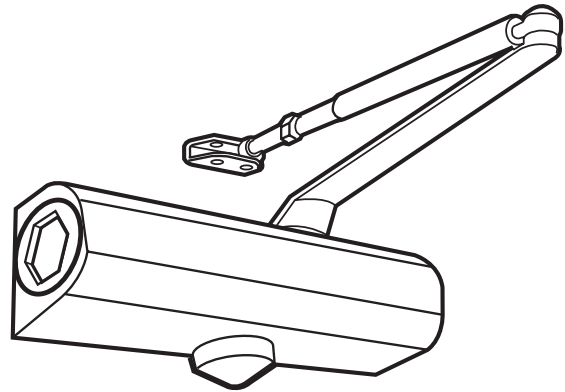
J-4728 (Aluminum finish)

Adjustable Hydraulic Door Closer

Contents: 1 closer; all necessary hardware and fasteners.

Description: Heavy duty cast aluminum body:

- Non-handed for standard, top-jamb or parallel arm installation.
- Non-sized, adjustable from #2 thru #6 and factory preset to # 3.
- Standard adjustable back-check function.
- Adjustable closing and latching speed by two separate regulating valves.
- Standard full plastic cover.
- ANSI 156.4 grade 1: U.L. listed for fire door assemblies.
-  Barrier Free (low opening resistance) for handicap (American Disabilities Act) compliance.



Description	Size	
A. Length of Closer Body	11-3/4"	
B. Horizontal Mounting Holes	11-1/8"	
C. Vertical Mounting Holes	3/4"	
D. Height of Closer Body	2"	
C. Projection from Door	2-7/8"	

Pull Plates

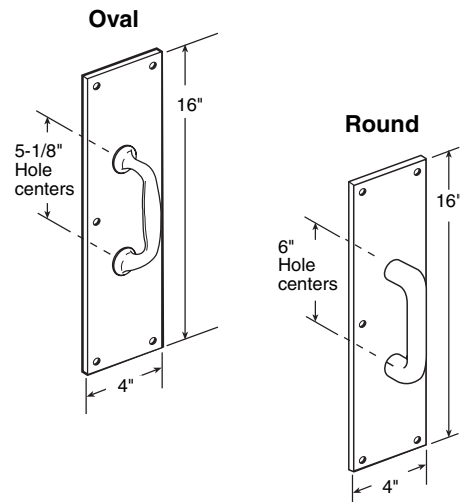
Contents: 1 pull plate assembly and installation screws.

Finish	Oval Handle	Round Handle
Satin aluminum	J-4579	J-4640
Polished brass	J-4578	J-4641
Stainless steel	-	J-4643
Bronze painted aluminum	-	J-4668

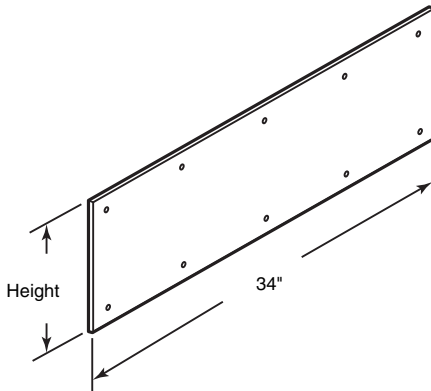
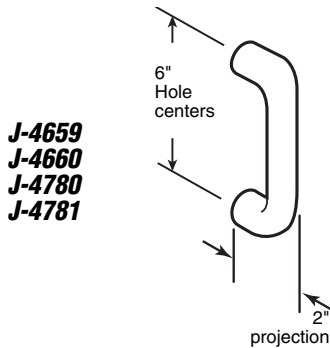
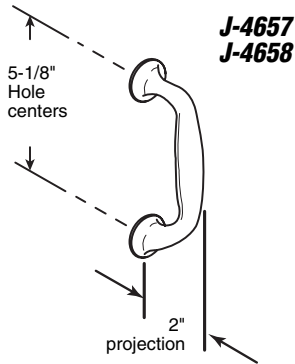
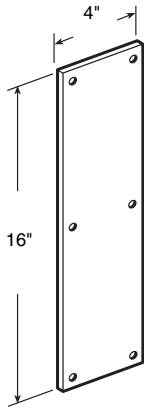
Description: Non-ferrous base metal; removable PVC protective coating on most plates; brass pulls have protective finish; bronze painted plates are powder coated; meets A.N.S.I. A156.6 specifications.

You may wish to stock these related parts: J-4657, J-4658, J-4659, J-4660.

J-4579
J-4578
J-4640
J-4641
J-4643
J-4668



J-4580
J-4581
J-4626
J-4686
J-4630



J-4580 (Polished brass)
J-4581 (Satin aluminum)
J-4626 (Stainless steel)
J-4686 (Bronze painted aluminum)
J-4630 (Brite-brass finish on aluminum)

Push Plate

Contents: 1 push plate and installation screws.

Description: Non-ferrous base metals; removable PVC protective coating on most plates; bronze painted plates are powder coated; meets A.N.S.I. A156.6 specifications.

You may wish to stock these related parts: **J-4659, J-4660.**

J-4657 (Satin aluminum)
J-4658 (Polished brass)

Pull Handle (Oval)

Contents: 1 handle and fasteners.

Description: Cast non-ferrous base metals; brass pull has protective finish.

You may wish to stock these related parts: **J-4578, J-4579, J-4640, J-4641.**

J-4659 (Satin aluminum)
J-4660 (Polished brass)
J-4780 (Stainless steel)
J-4781 (Bronze painted aluminum)

Pull Handle (3/4" round)

Contents: 1 handle and fasteners.

Description: Non-ferrous base metals; brass pull has protective finish.

You may wish to stock these related parts: **J-4580, J-4581.**

Kick Plates

Height - Part Numbers

<i>Finish</i>	6"	8"	10"
Satin aluminum	J-4702	J-4616	J-4620
Polished brass	J-4704	J-4617	J-4621
Stainless steel	J-4708	J-4619	J-4623
Bronze painted aluminum	-	J-4631	J-4638
Brite-brass finish on aluminum	J-4703	J-4618	J-4622

Contents: 1 - 34" kickplate and installation screws.

Description: Non-ferrous base metals; removable PVC protective coating on most plates; bronze painted plates are powder coated; 34" width gives full door coverage on 36" wide doors allowing clearance for door stop.

Note: Custom sizes available on all finishes, except the painted bronze.

Full Mortise Hinges

PLAIN BEARING (2 per pkg.)

Finish - Part Numbers

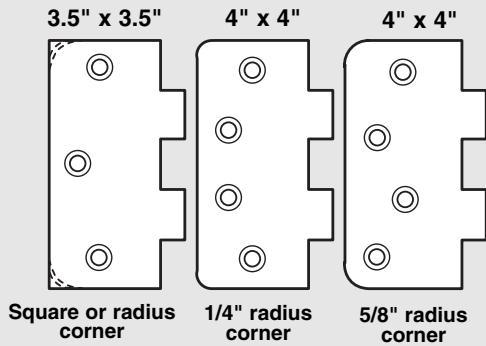
Size	Corners	Dull Brass	Prime Coat	Dull Chrome
3.5" x 3.5"	Square	U-10028	-	-
3.5" x 3.5"	1/4" radius	U-10029	-	-
3.5" x 3.5"	5/8" radius	U-10022	-	-
4" x 4"	1/4" radius	U-10023	-	-
4" x 4"	5/8" radius	U-10030	-	-
4.5" x 4.5"	Square	U-10031*	U-9165*	U-9164*

Contents: 2 hinges with fasteners.

Description: Plated and painted steel hinges; 5 knuckle; square or radiused corners; 4.5" x 4.5" hinges are supplied with non-removable pins to qualify for commercial applications.

*Note: 4.5" x 4.5" plain bearing hinges are 3 per pkg with fasteners.

Hole Specifications



BALL BEARING

Finish - Part Numbers

Size	Corners	Dull Brass	Prime Coat	Dull Chrome
4.5" x 4.5"	square	U-10032	U-9167	U-9166

Contents: 3 hinges with fasteners.

Description: Plated and painted steel hinges; 5 knuckle; available in square corner only; 4.5" x 4.5" hinges are supplied with non-removable pins, to qualify for commercial applications.

SPRING HINGE

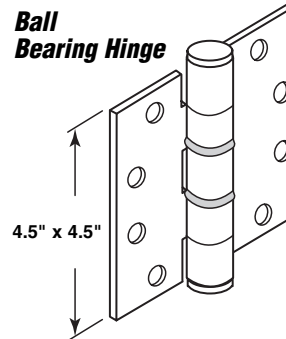
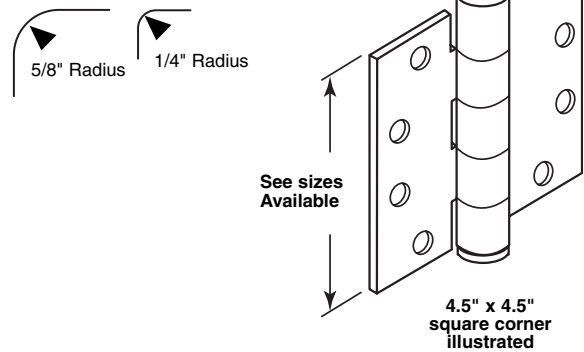
Finish - Part Numbers

Size	Corners	Dull Brass	Prime Coat	Dull Chrome
3.5" x 3.5"	1/4" radius	U-9225	-	U-10024
4" X 4"	1/4" radius	U-9339	-	U-10025
4" X 4"	5/8" radius	U-10026	-	-
4" X 4"	Square	-	U-9251	-
4.5" X 4.5"	Square	U-9315	U-9169	U-9168

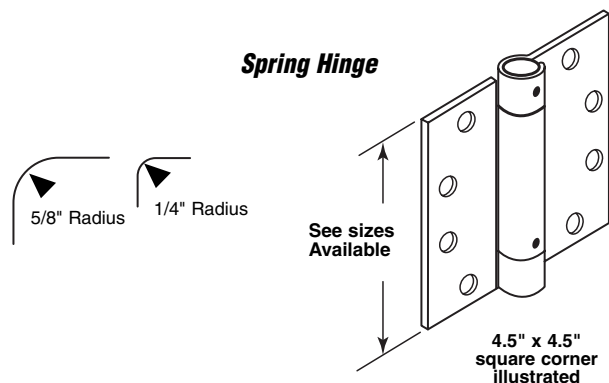
Contents: 1 hinge with fasteners.

Description: Plated and painted steel spring hinges; 3 knuckle; spring tension is fully adjustable.

Plain Bearing Hinge



Spring Hinge



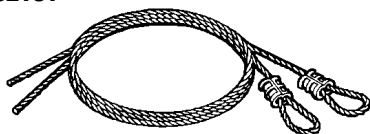
Part No.	Page No.	Description	Package Quantity	Standard Pack
GD-12125 (9' long)	GD-16	Weatherstrip (Wood Door)	1	6
GD-12126 (16' long)	GD-16	Weatherstrip (Wood Door)	1	6
GD-12127 (9' long)	GD-16	Weatherstrip (Fiberglass and Alum. Door)	1	6
GD-12128 (16' long)	GD-16	Weatherstrip (Fiberglass and Alum. Door)	1	6
GD-12136 (5 prong)	GD-17	Spring Rack	1	6
GD-12146 - 110/120 lbs. (#728)	GD-14	"One Piece" Door Spring	1	6
GD-12149 (1/16")	GD-2	Cable Ferrules and Stops	2	6
GD-12150 (3/32")	GD-2	Cable Ferrules and Stops	2	6
GD-12151 (1/8")	GD-2	Cable Ferrules and Stops	2	6
GD-12152 (5/32")	GD-2	Cable Ferrules and Stops	2	6
GD-12153 (3/16")	GD-2	Cable Ferrules and Stops	2	6
GD-12154 (1/4")	GD-2	Cable Ferrules and Stops	2	6
GD-12155 (1/8")	GD-3	Cable Clamps	2	6
GD-12156 (3/16")	GD-3	Cable Clamps	2	6
GD-12157 (1/4")	GD-3	Cable Clamps	2	6
GD-12158 (1/8")	GD-4	Cable Thimbles	2	6
GD-12159 (3/16")	GD-4	Cable Thimbles	2	6
GD-12160 (1/4")	GD-4	Cable Thimbles	2	6
GD-12170 (1/16")	GD-2	Cable Ferrules (Bulk)	100	1
GD-12171 (1/16")	GD-3	Cable Stops (Bulk)	100	1
GD-12172 (3/32")	GD-2	Cable Ferrules (Bulk)	100	1
GD-12173 (3/32")	GD-3	Cable Stops (Bulk)	100	1
GD-12174 (1/8")	GD-2	Cable Ferrules (Bulk)	100	1
GD-12175 (1/8")	GD-3	Cable Stops (Bulk)	100	1
GD-12176 (5/32")	GD-2	Cable Ferrules (Bulk)	50	1
GD-12177 (5/32")	GD-3	Cable Stops (Bulk)	50	1
GD-12178 (3/16")	GD-2	Cable Ferrules (Bulk)	30	1
GD-12179 (3/16")	GD-3	Cable Stops (Bulk)	30	1
GD-12180 (1/4")	GD-2	Cable Ferrules (Bulk)	20	1
GD-12181 (1/4")	GD-3	Cable Stops (Bulk)	20	1
GD-12191 with Safety Cable	GD-13	Extension Springs	1	6
GD-12192 with Safety Cable	GD-13	Extension Springs	1	6
GD-12193 with Safety Cable	GD-13	Extension Springs	1	6
GD-12194 with Safety Cable	GD-13	Extension Springs	1	6
GD-12195 with Safety Cable	GD-13	Extension Springs	1	6
GD-12202 with Safety Cable	GD-13	Extension Springs	1	6
GD-12205 with Safety Cable	GD-13	Extension Springs	1	6
GD-12207 with Safety Cable	GD-13	Extension Springs	1	6
GD-12209	GD-17	Maintenance Brochures	50	1
GD-12210	GD-16	Key Blanks	25	1
GD-12222 (Left hand)	GD-15	Torsion Spring Cable Drum	1	5
GD-12223 (Right hand)	GD-15	Torsion Spring Cable Drum	1	5
GD-12224	GD-14	Torsion Springs	1	3
GD-12225	GD-14	Torsion Springs	1	3
GD-12226	GD-14	Torsion Springs	1	3
GD-12227	GD-14	Torsion Springs	1	3
GD-12228	GD-14	Torsion Springs	1	3
GD-12229	GD-14	Torsion Springs	1	3
GD-12230	GD-14	Torsion Springs	1	3
GD-12231	GD-14	Torsion Springs	1	3
GD-12232	GD-14	Torsion Springs	1	3
GD-12233	GD-14	Torsion Springs	1	3
GD-12234	GD-14	Torsion Springs	1	3
GD-12235	GD-14	Torsion Springs	1	3
GD-12246 (1/16")	GD-4	Cable Thimbles	2	6

INDEX - Garage Door

Part No.	Page No.	Description	Package Quantity.	Standard Pack
GD-12247 (5/32")	GD-4	Cable Thimbles	2	6
GD-12248 (5/16")	GD-4	Cable Thimbles	2	6
GD-12249 (3/8")	GD-4	Cable Thimbles	2	6
GD-12251 (1/16")	GD-3	Cable Clamps	2	6
GD-12252 (5/16")	GD-3	Cable Clamps	2	6
GD-12253 (3/8")	GD-3	Cable Clamps	2	6
GD-12254 (1/2")	GD-3	Cable Clamps	2	6
GD-12255 - 135/145 lbs. (#528)	GD-14	"One Piece" Door Spring	1	6
GD-12256 (5/16")	GD-2	Cable Ferrules and Stops	2	6
GD-12257 (3/8")	GD-2	Cable Ferrules and Stops	2	6
GD-12258 (5/16")	GD-2	Cable Ferrules (Bulk)	20	1
GD-12259 (3/8")	GD-2	Cable Ferrules (Bulk)	20	1
GD-12267 with Safety Cable	GD-13	Extension Springs	1	6
GD-12270 (16" long - includes safety cable)	GD-14	"One Piece" Taylor Door Spring	1	6
GD-12273 (10' long)	GD-16	Weatherstrip (Metal Door)	1	6
GD-12274 (16' long)	GD-16	Weatherstrip (Metal Door)	1	6
GD-12275 (10' long)	GD-16	Weatherstrip (Metal Door)	1	6
GD-12276 (16' long)	GD-16	Weatherstrip (Metal Door)	1	6
GD-12277 with Safety Cable	GD-13	Extension Springs	1	6
GD-12278 with Safety Cable	GD-13	Extension Springs	1	6
GD-12279 with Safety Cable	GD-13	Extension Springs	1	6
GD-12280	GD-17	Torsion Spring Brochures	50	1
GD-52100 (1/8" cable)	GD-1	Extension Cables	2	6
GD-52101 (3/32" cable)	GD-1	Extension Cables	2	6
GD-52102 (2 pack)	GD-1	Safety Cables	2	6
GD-52103	GD-15	Carriage Bolts With Nuts	12	6
GD-52104 (# 1 position & center)	GD-6	Hinge	1	6
GD-52105 (# 2 position)	GD-6	Hinge	1	6
GD-52106 (# 3 position)	GD-6	Hinge	1	6
GD-52107 (# 4 position)	GD-6	Hinge	1	6
GD-52108 (4" Diameter)	GD-4	Pulley With Strap and Axle Bolt	1	6
GD-52109 (3" Diameter)	GD-4	Pulley With Strap and Axle Bolt	1	6
GD-52110 1-7/8"	GD-4	Rollers	2	6
GD-52111 (Steel ball bearing)	GD-5	Heavy Duty Roller (Long stem)	1	6
GD-52112 1-5/16"	GD-4	Rollers	2	6
GD-52113 1-7/8"	GD-4	Rollers	2	6
GD-52114 1-7/8"	GD-4	Rollers	2	6
GD-52115 (Right Hand)	GD-8	Bottom Lifting Brackets	1	6
GD-52116 (Left Hand)	GD-8	Bottom Lifting Brackets	1	6
GD-52117	GD-7	Top Roller Fixture	1	6
GD-52118	GD-10	Inside Deadlock	1	6
GD-52119 (Aluminum)	GD-11	Center Mount Deadbolt Lock	1	6
GD-52120	GD-11	Swivel Latch (Center Mount)	1	6
GD-52121	GD-9	"T" Handle	1	6
GD-52122 (Chrome - 1 pack)	GD-8	"T" Locking Handle	1	6
GD-52123 (Chrome - 1 pack)	GD-9	"L" Locking Handle	1	6
GD-52124	GD-10	Snap Lock (Side Mount)	1	6
GD-52129 (5" open grip)	GD-15	Bottom Lift Handle	2	6
GD-52130 (6" roll grip)	GD-15	Bottom Lift Handle	2	6
GD-52137	GD-10	Slide Latch (Side Mount)	1	6
GD-52138	GD-10	Side Lock	1	6
GD-52139	GD-12	Rim Cylinder Lock	1	6
GD-52140 (Nylon ball bearing)	GD-5	Standard Roller (For 2" track)	2	6
GD-52142	GD-12	Electric Key Switch	1	6
GD-52143 (Brushed chrome)	GD-12	Emergency Release Kit	1	6

Part No.	Page No.	Description	Package Quantity	Standard Pack
GD-52144 (Chrome)	GD-8	"T" Locking Handle	1	6
GD-52145	GD-11	Slide Bolt Latch	1	6
GD-52147 (Chrome)	GD-9	"L" Handle and Locking Unit	1	6
GD-52148 (Chrome)	GD-9	"L" Handle	1	6
GD-52161	GD-1	Extension Cables (Heavy duty)	2	6
GD-52162	GD-7	Center Hinge (For fiberglass doors)	2	6
GD-52163 (#1 position)	GD-7	Hinge (For fiberglass doors)	2	6
GD-52164 (#2 position)	GD-7	Hinge (For fiberglass doors)	2	6
GD-52165 (#3 position)	GD-7	Hinge (For fiberglass doors)	2	6
GD-52166	GD-11	Night Latch	1	6
GD-52167	GD-6	Quick Turn Fixture	1	6
GD-52168	GD-5	Roller and Bracket	1	6
GD-52169 (Chrome)	GD-9	"T" Locking Handle	1	6
GD-52183	GD-1	Torsion Spring Cables	2	6
GD-52185 (# 1 position & center)	GD-6	Hinge	2	6
GD-52186 (# 2 position)	GD-6	Hinge	2	6
GD-52187 (# 3 position)	GD-6	Hinge	2	6
GD-52188 (# 4 position)	GD-6	Hinge	2	6
GD-52189 (2 pack)	GD-4	Pulley With Strap and Axle Bolt (3" Dia.)	2	6
GD-52190 1-7/8"	GD-4	Rollers	4	6
GD-52196 (2 pack)	GD-7	Top Roller Fixtures	2	6
GD-52197 (2 pack)	GD-8	Bottom Lifting Brackets	2	6
GD-52198	GD-14	Dual Spring Hook Plate	2	6
GD-52199	GD-12	Lock Bar Disc	1	6
GD-52200 (Chrome - keyed alike - 2 pack)	GD-8	"T" Locking Handle	2	6
GD-52201 (Chrome - keyed alike - 2 pack)	GD-9	"L" Locking Handle	2	6
GD-52203 (2 pack)	GD-5	Standard Roller (Plastic)	2	6
GD-52211	GD-5	Roller and Bracket	1	6
GD-52212 (Steel ball bearing)	GD-5	Heavy Duty Roller (Short stem)	2	6
GD-52213 (Brass - 1 pack)	GD-8	"T" Locking Handle	1	6
GD-52214 (Brass - 1 pack)	GD-9	"L" Locking Handle	1	6
GD-52215 (1/16" - 1/8")	GD-3	Swage-it Tool	1	1
GD-52216 (1/8" - 1/4")	GD-3	Swage-it Tool	1	1
GD-52217 (Brass plated)	GD-15	Bottom Lift Handle	1	6
GD-52218	GD-7	Top Fixture Bracket	1	6
GD-52219	GD-10	Strike Plate	2	6
GD-52220	GD-8	Track Brackets	2	6
GD-52238	GD-15	Winding Rods	2	1
GD-52239 (4 pack)	GD-5	Standard Roller (Plastic)	4	6
GD-52240 (4 pack)	GD-1	Safety Cables	4	6
GD-52241	GD-11	Garage & Shed Lock (Tamper-proof)	1	6
GD-52242 (# 1 position & center)	GD-6	Hinge	1	6
GD-52243 (# 2 position)	GD-6	Hinge	1	6
GD-52244 (# 3 position)	GD-6	Hinge	1	6
GD-52245 (# 4 position)	GD-6	Hinge	1	6
GD-52262	GD-1	Extension Spring Cables	2	6
GD-52263	GD-2	Torsion Spring Cables	2	6
GD-52264 (Chrome)	GD-12	Electric Key Switch (High Security)	1	6
GD-52265	GD-15	Ribbed Neck Bolts With Nuts	12	6
GD-52287 (1 kit for 4" pulley)	GD-14	Dual Spring Hook Plates	1 set	6
GD-52288 (Zinc plated)	GD-15	Bottom Lift Handle	1	6
ZZ-34 (With wire rack)	GD-17	Maintenance Brochures	50	1
ZZ-57 (7 prong)	GD-17	Spring Rack	1	1
ZZ-58 (With wire rack)	GD-17	Torsion Spring Brochures	50	1

GD-52100
GD-52101



GD-52100 (1/8" cable)
GD-52101 (3/32" cable)

Extension Cables

Contents: 2 - 12' cables with loop ends.

Description: Galvanized carbon steel aircraft cables used on extension spring doors. 1/8" replaces most wood doors, 3/32" replaces most fiberglass and aluminum doors.

GD-52161



GD-52161

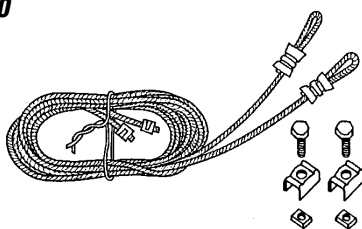
Extension Cables (Heavy duty)

Contents: 2 - 14' cables with loop ends.

Description: 5/32" galvanized carbon steel aircraft cables used on extension spring garage doors; replaces heavy duty wood, fiberglass and aluminum door applications.

You may also wish to stock these related parts: **GD-52100**, **GD-52101**.

GD-52102
GD-52240



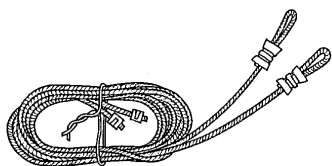
GD-52102 (2 pack)
GD-52240 (4 pack)

Safety Cables

Contents: 8' 6" cables with cable clamp set.

Description: 1/8" galvanized carbon steel aircraft cables; installs through extension springs to prevent injury in case of breakage. Required on California installations. 4 cable set used on dual spring doors.

GD-52183



GD-52183

Torsion Spring Cables

Contents: 2 - 8' 8" cables with loop ends and stops.

Description: 1/8" galvanized carbon steel aircraft cable; for use on torsion spring doors, 7 feet high.

You may also wish to stock these related parts: **GD-52115**, **GD-52116**.

GD-52262



GD-52262

Extension Spring Cables

Contents: 2 - 13' 6" cables.

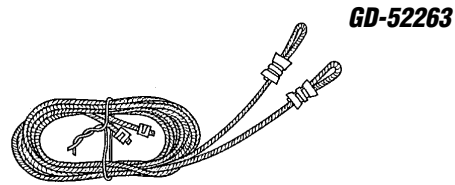
Description: 1/8" galvanized carbon steel aircraft cable. Special end clip designed for *Phoenix* doors.

GD-52263

Torsion Spring Cables

Contents: 2 - 8' 8" cables.

Description: 3/32" galvanized carbon steel aircraft cables; used on both single and double garages, fits glass doors.



GD-12149 (1/16")

GD-12150 (3/32")

GD-12151 (1/8")

GD-12152 (5/32")

GD-12153 (3/16")

GD-12154 (1/4")

GD-12256 (5/16")

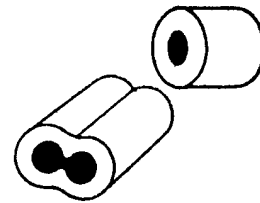
GD-12257 (3/8")

Cable Ferrules and Stops

Contents: 2 ferrules; 2 stops.

Description: Extruded aluminum ferrules are used to clamp cable loops into fixed position; stops finish off end of cable or as a stopping point at any location on cable. Select from eight stock cable sizes.

You may wish to stock these related parts: **GD-52100**, **GD-52101**, **GD-52161**.



Ferrules and Stops

GD-12170 (1/16")

GD-12172 (3/32")

GD-12174 (1/8")

GD-12176 (5/32")

GD-12178 (3/16")

GD-12180 (1/4")

GD-12258 (5/16")

GD-12259 (3/8")

Cable Ferrules (Bulk)

Contents: 100 bulk: GD-12170, GD-12172 and GD-12174
50 bulk: GD-12176
30 bulk: GD-12178
20 bulk: GD-12180
20 bulk: GD-12258
20 bulk: GD-12259

Description: Extruded aluminum ferrules are used to clamp cable loops into fixed position; select from eight stock cable sizes.

You may wish to stock these related parts: **GD-52100**, **GD-52101**, **GD-52161**.



Ferrules Only



Stops Only

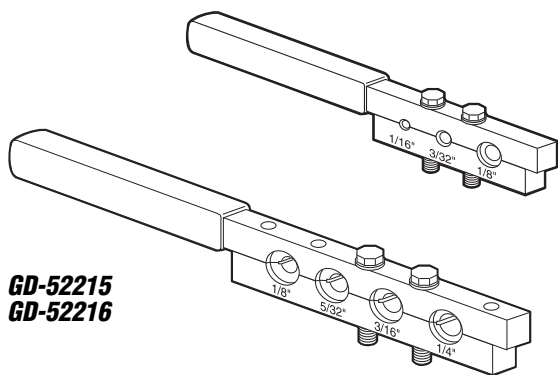
- GD-12171** (1/16")
- GD-12173** (3/32")
- GD-12175** (1/8")
- GD-12177** (5/32")
- GD-12179** (3/16")
- GD-12181** (1/4")

Cable Stops (Bulk)

Contents: 100 bulk: GD-12171, GD-12173 and GD-12175
 50 bulk: GD-12177
 30 bulk: GD-12179
 20 bulk: GD-12181

Description: Extruded aluminum stops are used to finish off end of cable or as a stopping point at any location on cable. Select from six stock cable sizes.

You may wish to stock these related parts: **GD-52100, GD-52101.**



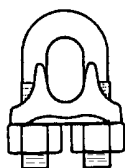
**GD-52215
GD-52216**

- GD-52215** (1/16" - 1/8")
- GD-52216** (1/8" - 1/4")

Swage-it Tool

Contents: 1 tool.

Description: Heavy duty 2 piece steel swage-it tool for crimping cable ferrules to cable; not designed for crimping stops.



Cable Clamps

- GD-12251** (1/16")
- GD-12260** (3/32")
- GD-12155** (1/8")
- GD-12261** (5/32")
- GD-12156** (3/16")
- GD-12157** (1/4")
- GD-12252** (5/16")
- GD-12253** (3/8")
- GD-12254** (1/2")

Cable Clamps

Contents: 2 cable clamp assemblies.

Description: Steel bolts and nuts; cast aluminum base; used to clamp cable loops into fixed positions; normal loop assembly uses 3 clamps.

You may wish to stock these related parts: **GD-12149 thru GD-12154, GD-12256, GD-12257.**

Garage Door

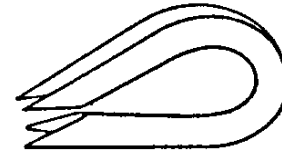
- GD-12246** (1/16")
- GD-12158** (1/8")
- GD-12247** (5/32")
- GD-12159** (3/16")
- GD-12160** (1/4")
- GD-12248** (5/16")
- GD-12249** (3/8")

Cable Thimbles

Contents: 2 cable thimbles.

Description: Carbon steel, zinc plated thimble forms non-collapsible loop in cable; protects cable strands from wear damage.

You may wish to stock these related parts: **GD-12151**, **GD-12153**, **GD-12154**.



Cable Thimbles

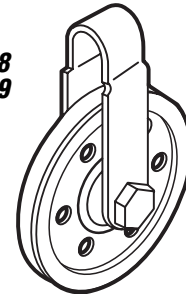
- GD-52108** (4" Diameter)
- GD-52109** (3" Diameter)

Pulley With Strap and Axle Bolt

Contents: 1 pulley; 1 strap; 1 axle bolt with nut.

Description: Heavy duty galvanized steel pulley with galvanized steel strap; case hardened steel race with steel ball bearings; factory lubricated; can be used at stationary or spring pulley positions.

GD-52108
GD-52109



- GD-52189** (2 pack)

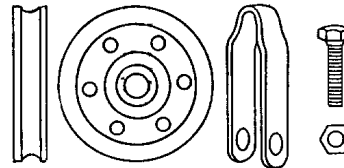
Pulley With Strap and Axle Bolt (3" Diameter)

Contents: 2 pulleys; 2 straps; 2 axle bolts with nuts.

Description: Heavy duty galvanized steel pulley with galvanized steel strap; case hardened steel race with steel ball bearings; factory lubricated; can be used at stationary or spring pulley positions.

You may wish to stock this related part: **GD-52109**.

GD-52189



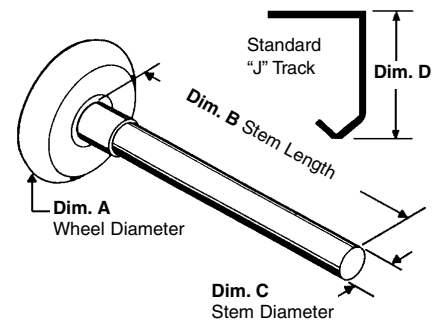
Rollers

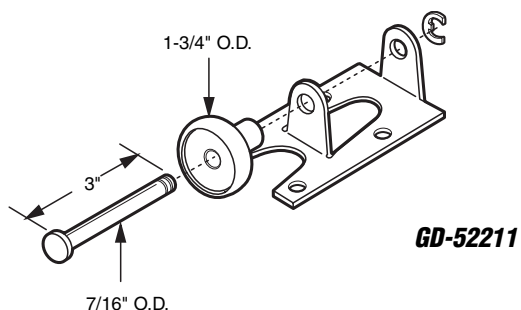
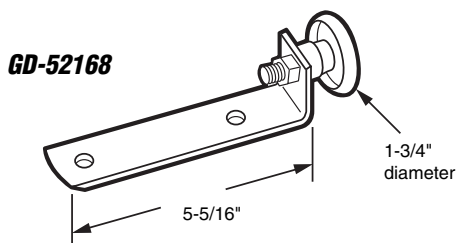
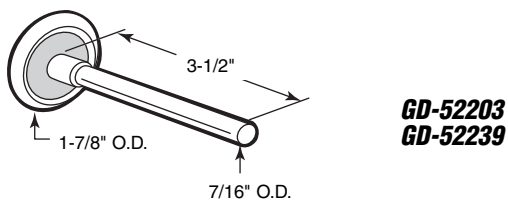
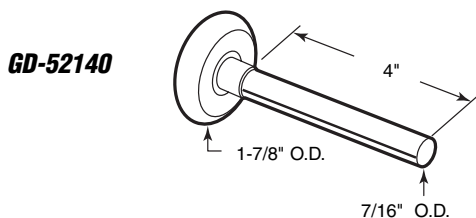
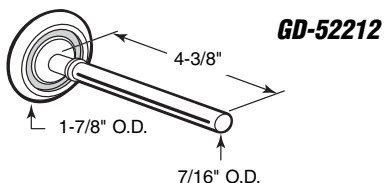
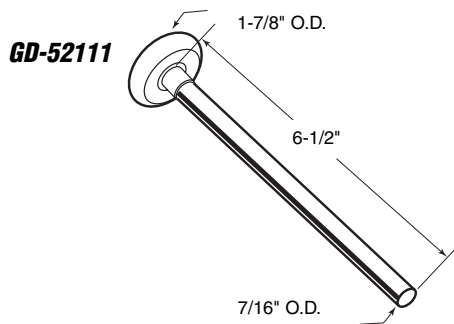
Contents: See Chart Below.

Description: Steel ball bearing rollers with steel inner race; factory lubricated; a selection to replace most garage door rollers.

Part No.	Dim. A	Dim. B	Dim. C	Dim. D	Pkg. Qty.	Desc.
GD-52110	1-7/8"	4"	7/16"	2"	2	Standard
GD-52112	1-5/16"	2-7/8"	5/16"	1-3/8"	2	Frantz 1"
GD-52113	1-7/8"	4-1/4"	5/16"	2"	2	Frantz 1/4"
GD-52114	1-7/8"	4-1/2"	3/8"	2"	2	Frantz 3/8"
GD-52190	1-7/8"	4"	7/16"	2"	4	Standard

You may wish to stock these related parts: **GD-12140**, **GD-12203**.





GD-52111 (Steel ball bearing)

Heavy Duty Roller (Long stem)

Contents: 1 roller assembly.

Description: Heavy duty **steel roller** with **steel inner race**; **10 ball bearings**; factory lubricated; used on side by side hinge placements for added strength.

You may wish to stock these related parts: **GD-52140**, **GD-52203**.

GD-52212 (Steel ball bearing)

Heavy Duty Roller (Short stem)

Contents: 2 roller assemblies.

Description: Heavy duty **steel roller** with **steel inner race**; **10 ball bearings**; same as **GD-52111** but, with shorter stem.

GD-52140 (Nylon ball bearing)

Standard Roller (For 2" track)

Contents: 2 roller assemblies.

Description: **Steel ball bearing** with **steel inner race** and **nylon tire** for smooth operation; **steel shaft**; factory lubricated; excellent performance in all weather conditions.

You may wish to stock these related parts: **GD-52140**, **GD-52203**.

GD-52203 (2 pack)

GD-52239 (4 pack)

Standard Roller (Plastic)

Contents: Roller assemblies.

Description: **High impact plastic rollers** have outstanding performance characteristics in all weather environments; quiet, trouble free operation.

You may wish to stock these related parts: **GD-52110**, **GD-52140**.

GD-52168

Roller and Bracket

Contents: 1 roller and bracket.

Description: **Plastic roller** and **steel bracket**; designed for **Taylor** one-piece garage doors; requires 4 rollers per door.

Call for Availability

GD-52211

Roller and Bracket

Contents: 1 roller and bracket.

Description: **Plastic roller** and **steel bracket** designed for **Stanley** one-piece steel garage doors; use 4 rollers per door.

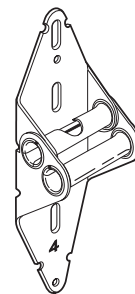
- GD-52104 (# 1 position & center)
- GD-52105 (# 2 position)
- GD-52106 (# 3 position)
- GD-52107 (# 4 position)

**14 gauge
1 per card**

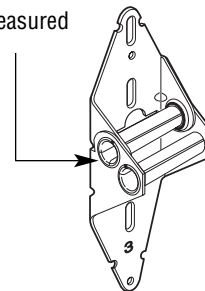
Standard Hinge (3" overall width)

Contents: 1 hinge; 4 ea. 1/4"- 20 x 1-7/8" pancake head carriage bolts with nuts.

Description: Heavy duty 14 gauge galvanized steel hinge; roller tube accepts a standard 7/16" diameter stem roller; used by most garage door manufacturers.



Note: Overall width is measured across the spindle tube.



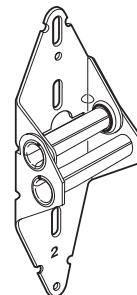
- GD-52185 (# 1 position & center)
- GD-52186 (# 2 position)
- GD-52187 (# 3 position)
- GD-52188 (# 4 position)

**14 gauge
2 per card**

Standard Hinge (3" overall width)

Contents: 2 hinges without fasteners.

Description: Heavy duty 14 gauge galvanized steel hinge; roller tube accepts a standard 7/16" diameter stem roller; used by most garage door manufacturers.



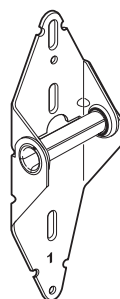
- GD-52242 (# 1 position & center)
- GD-52243 (# 2 position)
- GD-52244 (# 3 position)
- GD-52245 (# 4 position)

**18 gauge
1 per card**

Narrow Hinge (2-1/4" overall width)

Contents: 1 hinge; 4 each 1/4-20x1-7/8" pancake head carriage bolts.

Description: Medium duty 18 gauge galvanized steel hinge; used by many garage door manufactures; roller tube accepts a standard 7/16" diameter stem roller.



GD-52167

Quick Turn Fixture

Contents: 1 fixture.

Description: Heavy duty galvanized steel; for use on low headroom garage door conditions, where automatic openers are installed.

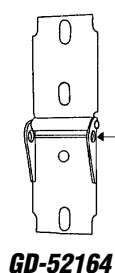
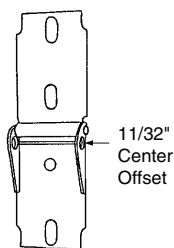
You may also wish to stock these related parts: GD-52110, GD-52111.

GD-52167

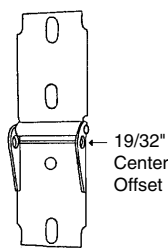


Call for Availability

GD-52163



GD-52165



GD-52163 (#1 position)
GD-52164 (#2 position)
GD-52165 (#3 position)

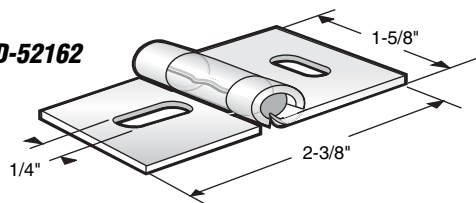
Hinge (For fiberglass doors)

Contents: 2 hinges; 8 ea. 1/4"-20 x 3/4" installation bolts.

Description: Heavy duty **galvanized steel**; accepts a **5/16" diameter stem roller**; fits on *Frantz* on 1200 (wood), 2400 and 2600 series doors.

You may wish to stock these related parts: **GD-52112**, **GD-52113**, **GD-52162**, **GD-52164**, **GD-52165**.

GD-52162



GD-52162

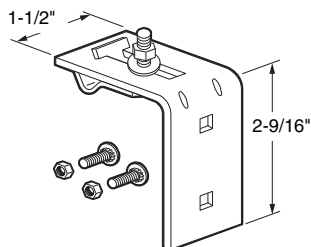
Call for Availability

Center Hinge (For fiberglass doors)

Contents: 2 hinges; 4 ea. 1/4"-20 x 3/4" installation bolts.

Description: Heavy duty **galvanized steel**; old style application; fits on *Frantz* on 1200, 2400 and 2600 series doors.

You may wish to stock these related parts: **GD-52163**, **GD-52164**, **GD-52165**.



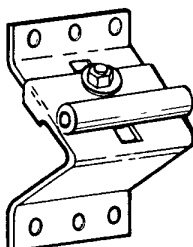
GD-52218

Top Fixture Bracket

Contents: 1 bracket; 2 ea. 1/4"-20 x 1/2" ribbed neck bolts and nuts.

Description: **Steel bracket**; adjustable; fits *Frantz* fiberglass doors.

GD-52117



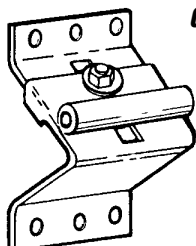
GD-52117

Top Roller Fixture

Contents: 1 fixture; 4 ea. 1/4" -20 x 1-7/8" pancake head carriage bolts with nuts.

Description: Heavy duty **galvanized steel** fixture with adjustable roller plate; accepts a standard **7/16" diameter stem roller**; used on most wood doors.

GD-52196



GD-52196 (2 pack)

Top Roller Fixtures

Contents: 2 fixtures without fasteners.

Description: Heavy duty **galvanized steel** fixture with adjustable roller plate; accepts a standard **7/16" diameter stem roller**; used on most wood doors.

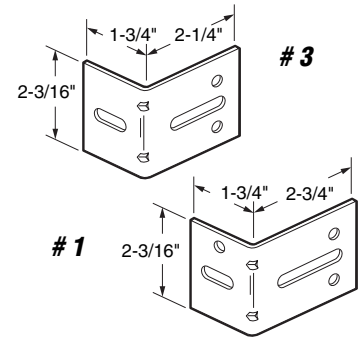
GD-52220

Track Brackets

Contents: 1 #1 & 1 #3 track bracket; 2 ea. 1/4" -20 x 1/2" ribbed neck bolts with nuts.

Description: Steel brackets; used to fasten track to wall.

GD-52220



GD-52115 (Right Hand)

GD-52116 (Left Hand)

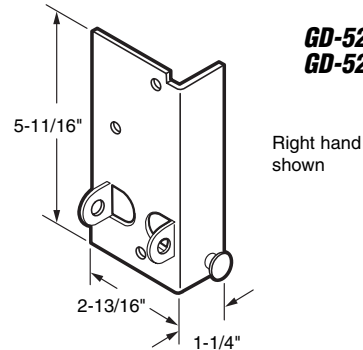
Bottom Lifting Brackets

Contents: 1 bracket; 3 ea. 1/4"-20 x 1-7/8" pancake head carriage bolts with nuts.

Description: Heavy duty 13 gauge galvanized steel construction steel cable pin used on most wood doors; accepts a standard 7/16" stem diameter roller. Handling viewed from inside garage.

You may wish to stock these related parts: GD-52100, GD-52101, GD-52115 and GD-52116.

GD-52115
GD-52116



Right hand shown

GD-52197 (2 pack)

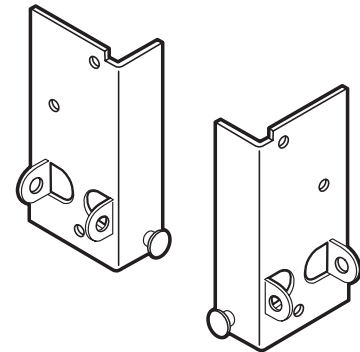
Bottom Lifting Brackets

Contents: 2 brackets (1 left hand and 1 right hand); without fasteners.

Description: Heavy duty 13 gauge galvanized steel construction steel cable pin; used on most wood doors; accepts a standard 7/16" diameter stem roller.

You may wish to stock these related parts: GD-52100, GD-52101, GD-52115 and GD-52116.

GD-52197



GD-52122 (Chrome - 1 pack)

GD-52200 (Chrome - keyed alike - 2 pack)

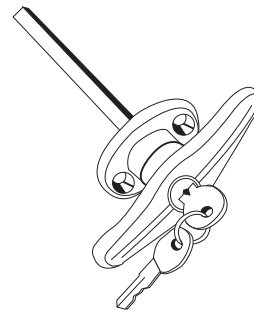
GD-52213 (Brass - 1 pack)

"T" Locking Handle

Contents: Locking handles with keys.

Description: Zinc diecast construction; keyed lock; 5/16" square shaft, 3" long; replaces most garage door, camper and R.V. locking handles.

GD-52122
GD-52200
GD-52213



1-1/2" Hole Centers

GD-52144 (Chrome)

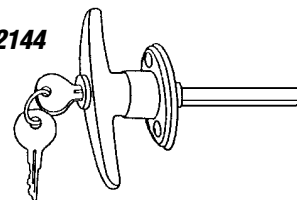
"T" Locking Handle

Contents: 1 locking handle; 2 keys.

Description: Zinc diecast construction; keyed lock; 5/16" square shaft, 2" long; replaces many garage door, camper and R.V. locking handles.

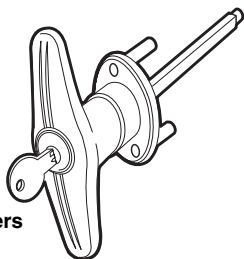
You may also wish to stock these related parts: GD-52121, GD-52123.

GD-52144



1-1/2" Hole Centers

GD-52169



1-1/2" Hole Centers

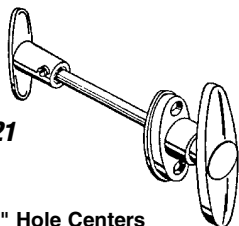
GD-52169 (Chrome)

"T" Locking Handle

Contents: 1 locking handle; 2 keys.

Description: Zinc diecast construction; keyed lock; 5/16" square shaft, 3-5/8" long; replaces many garage door, camper and R.V. locking handles. Screws attach to lock from the inside of door.

GD-12121



1-1/2" Hole Centers

GD-52121

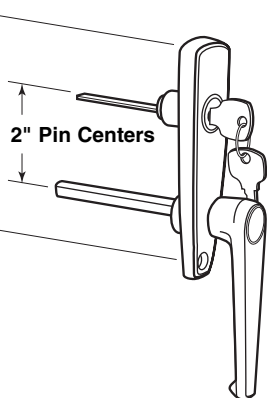
"T" Handle

Contents: 1 outside handle; 1 inside handle with set screws.

Description: Diecast outside handle has 5/16" square, 3" long shaft; inside handle is diecast zinc with set screw; used when locking cylinder is mounted separately.

You may wish to stock this related part: **GD-52119, GD-152139, GD-52199.**

4-1/4" Hole Centers



GD-52147

GD-52147 (Chrome)

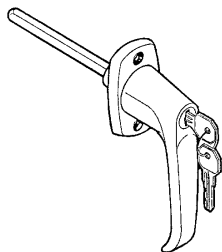
"L" Handle and Locking Unit

Contents: 1 handle and housing; 1 cylinder lock with 2 keys; 1 set of installation fasteners.

Description: Plated diecast handle and housing with 5/16" square shaft, 3-1/8" long; keyed lock with break-off spindle; works with **GD-12138** slide lock.

You may wish to stock this related part: **GD-52138.**

GD-52123
GD-52201
GD-52214



1-3/4" Hole Centers

GD-52123 (Chrome - 1 pack)

GD-52201 (Chrome - keyed alike - 2 pack)

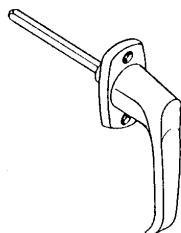
GD-52214 (Brass - 1 pack)

"L" Locking Handle

Contents: Locking handles with keys.

Description: Zinc diecast construction; keyed lock; 5/16" square shaft, 2-7/8" long; replaces most garage door, camper and R.V. locking handles.

GD-52148



1-3/4" Hole Centers

GD-52148 (Chrome)

"L" Handle

Contents: 1 handle.

Description: Diecast "L" handle with 5/16" square shaft, 3" long; non-keyed handle for use with various inside latching devices.

You may wish to stock these related parts: **GD-52119, GD-52199.**

Call for Availability

GD-52138

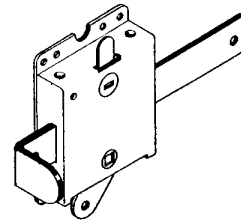
Side Lock

Contents: 1 lock assembly.

Description: Heavy duty **galvanized steel**, **spring loaded**, **lock** with latch bolt release lever. Used with **GD-52147** outside lock and latch assembly.

You may wish to stock these related parts: **GD-52121**, **GD-52139**, **GD-52147**.

GD-52138

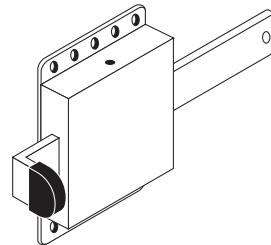


GD-52118

Inside Deadlock

Contents: 1 lock assembly; 4 ea. 1/4"-20 x 1-7/8" pancake head carriage bolts with nuts.

Description: 7/8" wide x 1/8" thick **steel slide bolt** with heavy duty **galvanized steel housing**; works only from the inside for extra protection as a **night or vacation security lock**; engages slot in vertical track; fits most garage doors.



GD-52118

GD-52137

Slide Latch (Side Mount)

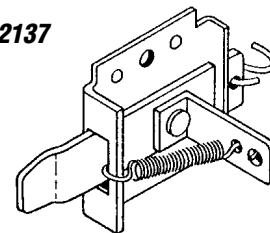
Contents: 1 latch.

Description: Heavy duty **galvanized steel** construction; spring loaded for positive latching; fits on **Frantz** and other manufacturers.

You may wish to stock these related parts: **GD-52162** thru **GD-52165**.

*Call for
Availability*

GD-52137



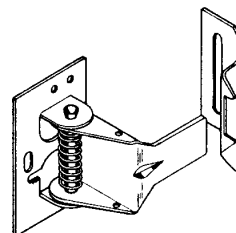
GD-52124

Snap Lock (Side Mount)

Contents: 1 latch; 1 latch strike; 3 ea. 1/4"-20 x 1-7/8" pancake head carriage bolts.

Description: Heavy duty **galvanized steel** construction; spring loaded for positive latching; will fit on most 2" track configurations; used by many manufacturers.

You may wish to stock these related parts: **GD-52120**, **GD-52122**.



GD-52124

GD-52219

Strike Plate

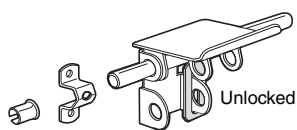
Contents: 2 strikes; installation bolts.

Description: **Zinc plated steel** construction; used with many different style snap locks.

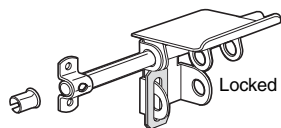
You may wish to stock these related parts: **GD-52120**, **GD-52122**.

GD-52219

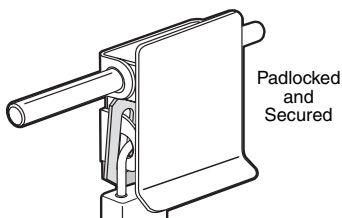




Unlocked



Locked



Padlocked and Secured

Padlock not included

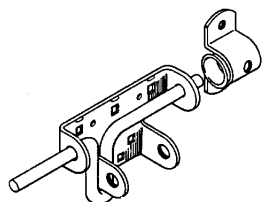
GD-52241

GD-52241

Garage & Shed Lock (Tamper-proof)

Contents: 1 latch; 2 bolt keepers; installation bolts.

Description: Heavy gauge zinc plated steel lock; has tamperproof cover plate; can be used with surface mount or mortise bolt keepers; use with a padlock.



GD-52145

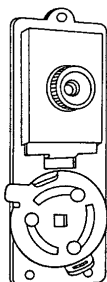
GD-52145

Slide Bolt Latch

Contents: 1 latch; 2 bolt keepers; 1 set of installation screws.

Description: Heavy gauge, zinc plated steel slide bolt latch with both surface mount or mortise bolt keepers. Use with a padlock.

GD-52166



GD-52166

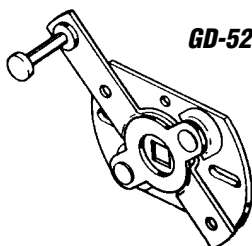
Night Latch

Contents: 1 lock assembly.

Description: Heavy duty galvanized steel; works with 5/16" square shaft exterior locking handle GD-52121 and GD-52139 rim cylinder; used on both *Frantz* fiberglass and wood doors.

You may also wish to stock these related parts: GD-52122, GD-52123, GD-52162, GD-52163, GD-52164, GD-52165.

Call for Availability



GD-52120

GD-52120

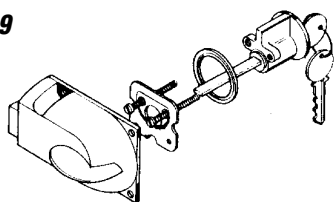
Swivel Latch (Center Mount)

Contents: 1 swivel latch; 4 ea. no. 8 x 1-1/4" Phillips pan head sheet metal screws.

Description: Heavy duty galvanized steel construction; accepts a 5/16" square shaft locking handle; fits on *Frantz* and others as a lever mechanism to disengage side latches.

You may wish to stock these related parts: GD-52122, GD-52123.

GD-52119



GD-52119 (Aluminum)

Center Mount Deadbolt Lock

Contents: 1 inside latch bolt assembly; 1 outside cylinder lock with 2 keys; 1 set of fasteners.

Description: Painted diecast inside lock with heavy duty steel spring bolt; key cylinder has aluminum face and 5 pin tumbler lock with cylinder ring, will replace most locking mechanisms of this type; used by many manufacturers.

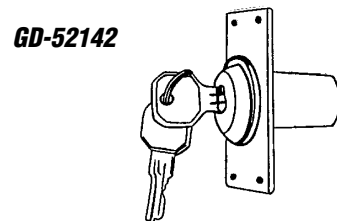
You may wish to stock these related parts: GD-52139, GD-52199.

GD-52142

Electric Key Switch

Contents: 1 key cylinder with **plastic** housing and face plate assembly; 2 keys.

Description: Allows operation of garage door opener without a transmitter; mount to the exterior door jamb and hard wire to opener.

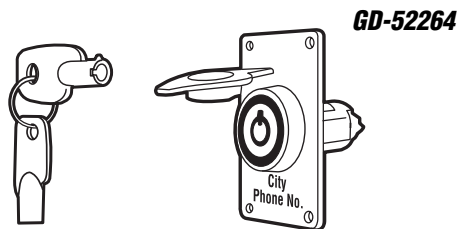


GD-52264 (Chrome)

Electric Key Switch (High Security)

Contents: 1 cylinder lock and housing assembly with 2 keys; 4 spiral nails.

Description: Diecast housing and waterproof cover; 7 pin cylinder lock has **chrome plated brass housing**; pick resistant, high security; momentary contact, uses 3 amp 250vac.



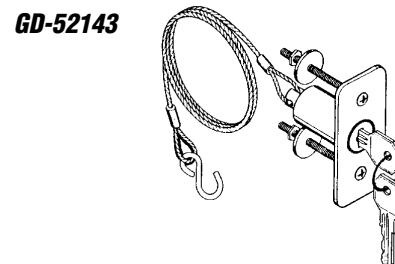
GD-52143 (Brushed chrome)

Emergency Release Kit

Contents: 1 key cylinder and housing assembly with 2 keys; 1 - 36" release cable; 1 set of fasteners.

Description: Diecast housing; designed to release automatic garage door opener in event of power failure; for garages without side access doors.

You may wish to stock this related part: **GD-52142**.



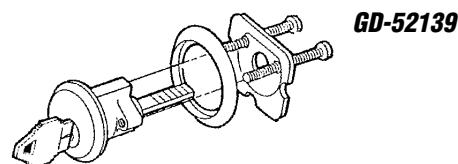
GD-52139

Rim Cylinder Lock

Contents: 1 cylinder lock with trim ring and 2 keys; 1 mounting plate and 2 screws.

Description: Heavy duty **zinc diecast housing** with **brass face** and **5 pin tumbler lock**. Used to key lock a variety of interior latching mechanisms.

You may wish to stock these related parts: **GD-52119**, **GD-52138**.



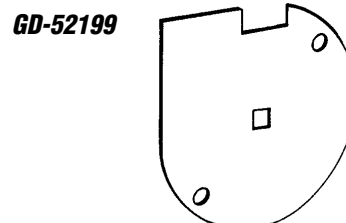
GD-52199

Lock Bar Disc

Contents: 1 disc.

Description: **Galvanized steel disc** is used to drive the door lock bars. Accepts a **5/16" square** shaft handle (**GD-52121**); acts as a keeper for **GD-52119** center mount deadbolt lock.

You may wish to stock these related parts: **GD-52119**, **GD-52121**, **GD-52139**.

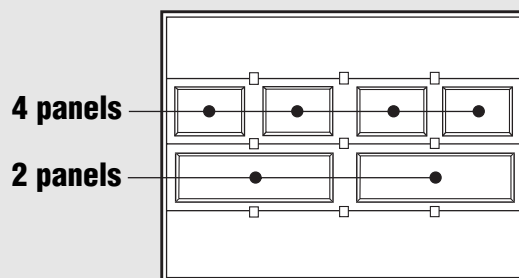
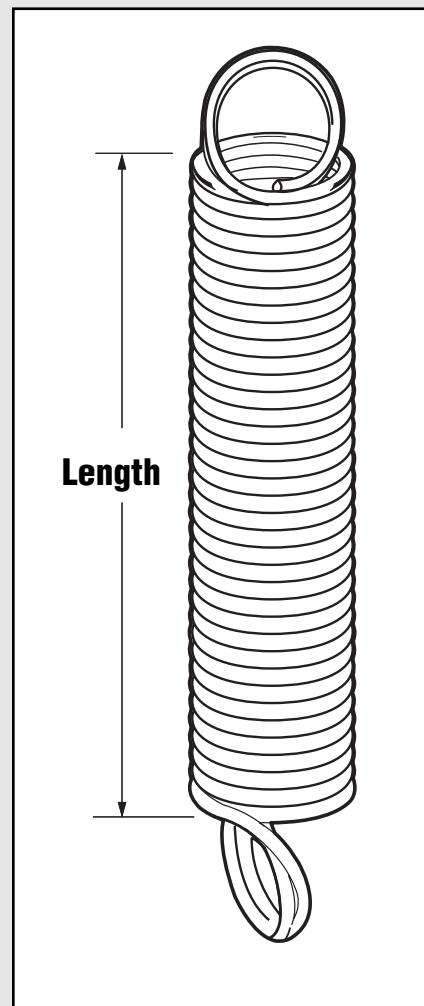


Product Number	Spring Size	Color Code	Door Size	Number of Springs on Door	Springs on each Side
GD-12279	50 lbs.	Orange	• Use on Single car fiberglass doors	2	1
<i>(With Safety Cable)</i>					
(25" Long)					
GD-12202	70 lbs.	Yellow	• Use on single car fiberglass doors	2	1
<i>(With Safety Cable)</i>					
(25" Long)					
GD-12191	110 lbs.	Blue	• Wood Door, 8' Wide x up to 6'6" High; 2 Panels; 4 sections • Fiberglass Door, 16' Wide x up to 7' High; 4 Sections	2	1
<i>(With Safety Cable)</i>					
(25" Long)					
GD-12277	110 lbs.	Blue	• Use on Taylor doors; for 2 car metal doors	2	1
<i>(With Safety Cable)</i>					
(29" Long)					
GD-12192	120 lbs.	Green	• Wood Door, 8' Wide x up to 7' High; 2 Panels; 4 Sections • Fiberglass Door, 16' Wide x 7' High; 4 Sections	2	1
<i>(With Safety Cable)</i>					
(25" Long)					
GD-12193	130 lbs.	Black	• Wood Door, 8' Wide x up to 7' High; 4 Panels; 4 Sections	2	1
<i>(With Safety Cable)</i>					
(25" Long)					
GD-12194	140 lbs.	Red	• Wood Door, 9' Wide x up to 7' High; 2 Panels; 4 Sections • Wood Door, 16' Wide x 7' High; 2 Panels; 4 Sections	2 4	1 2
<i>(With Safety Cable)</i>					
(25" Long)					
GD-12195	150 lbs.	Silver	• Wood Door, 9' Wide x 7' High; 4 Panels; 4 Sections • Wood Door, 16' Wide x 7' High; 4 Panels; 4 Sections	2 4	1 2
<i>(With Safety Cable)</i>					
(25" Long)					
GD-12207	150 lbs.	Silver	• 9' Wide x 7' High; 4 Panels; 4 Sections • 16' Wide x 7' High; 4 Panels; 4 Sections	2 4	1 2
<i>(With Safety Cable)</i>					
(22' Long - Special for Frantz doors)					
GD-12205	160 lbs.	Brown	• Wood Door, 9' Wide x 7' High; 4 Panels; 4 Sections • Wood Door, 16' Wide x 7' High; 4 Panels; 4 Sections	2 4	1 2
<i>(With Safety Cable)</i>					
(25" Long)					
GD-12267	170 lbs.	Yellow	• Wood Door, 10' Wide x 7' High; 4 Panels; 4 Sections • Wood Door, 16' Wide x 7' High; 8 Panel; 4 Sections	2 4	1 2
<i>(With Safety Cable)</i>					
(25" Long)					
GD-12278	285 lbs.	-	• Use on 2 car wood doors	2	1
<i>(With Safety Cable)</i>					
(28" Long)					

Extension Springs (with Safety Cable) for Sectional Overhead Type Doors

Contents: 1 spring per package; **minimum order quantity 6** springs each. **Rated at 10,000 cycles.**

Description: Heavy duty; extension springs. It is always advisable to replace all door springs, even though only one may have broken; safety cables protect against personal injury and property damage from broken springs.



4 section door

Garage Door

GD-52198 (2 plates for 3" pulley)

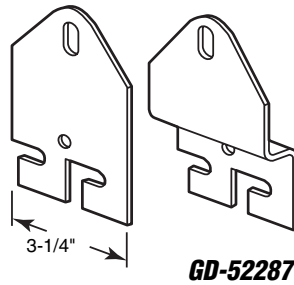
GD-52287 (2 pairs for 4" pulley)

Dual Spring Hook Plates

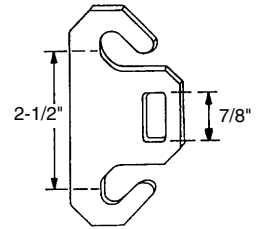
Contents: Hook plates.

Description: Galvanized steel plates used to attach 2 springs to the moving pulley strap. For heavy duty door applications.

You may wish to stock this related part: **GD-12108, GD-12109.**



GD-52198



GD-52287

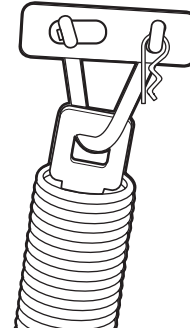
GD-12146 - 110/120 lbs. (#728)

GD-12255 - 135/145 lbs. (#528)

"One Piece" Door Spring

Contents: 1 spring.

Description: Very popular West Coast spring has stamped steel end plugs attached to safety containment rods; supplied with 2 "W" hook assemblies for either one or two spring replacement. These springs are approved and certified by the State of California Department of Housing and Community Development and comply with the California Building Standards Code (CBSC) Title 24, Part 2, Section 312.7.



**GD-12146
GD-12255**

GD-12269 (16" long)

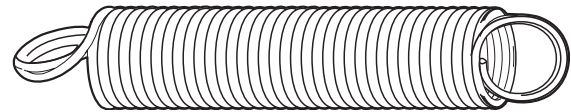
GD-12270 (16" long - includes safety cable)

"One Piece" Taylor Door Spring

Contents: 1 spring.

Description: Double loop spring; 1-1/4" I.D.; 10 coils = 1-7/8"; for single car garage doors. Uses a black color code.

**GD-12269
GD-12270**

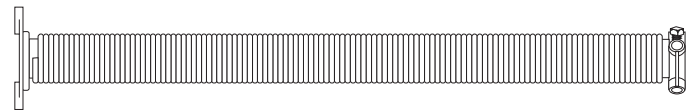


Torsion Springs

Contents: 1 spring with winding cone and anchor cone attached.

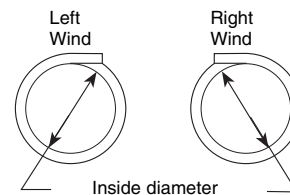
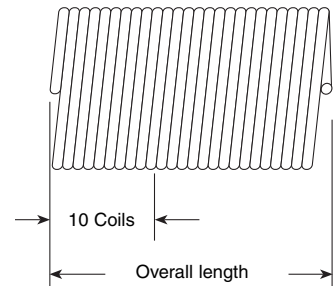
Part Number	Color Code	Wire Size	Inside Diameter	Overall Length	Wind
GD-12224	Silver	.207	1-3/4"	18"	Right
GD-12225	Silver	.207	1-3/4"	18"	Left
GD-12226	Blue	.218	1-3/4"	20"	Right
GD-12227	Blue	.218	1-3/4"	20"	Left
GD-12228	Red	.243	1-3/4"	32"	Right
GD-12229	Red	.243	1-3/4"	32"	Left
GD-12230	White	.250	1-3/4"	32"	Right
GD-12231	White	.250	1-3/4"	32"	Left
GD-12232	Yellow	.243	2"	32"	Right
GD-12233	Yellow	.243	2"	32"	Left
GD-12234	Green	.250	2"	32"	Right
GD-12235	Green	.250	2"	32"	Left

Description: Most doors, in recent years, have been supplied with torsion springs; located directly above the door and mounted to the header. Replacement will require the use of 2 - winding rods (**GD-12238**) and a clear understanding of wire size and handing. The chart at right will help to determine these two factors.

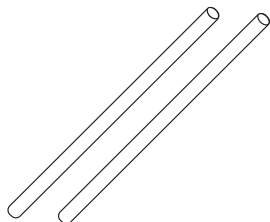
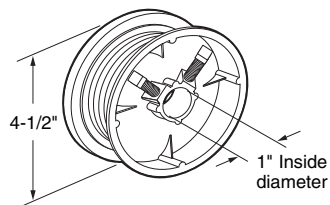


Measure 10 coils and refer to chart for wire size.

Wire Chart	Wire Size
	2-1/16" = .207
	2-3/16" = .218
	2-7/16" = .243
	2-1/2" = .250

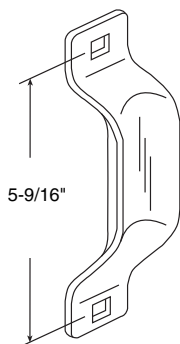
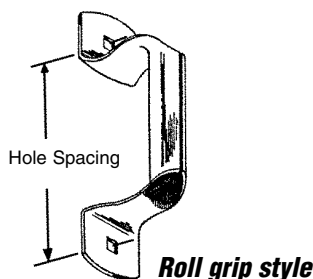


GD-12222
GD-12223



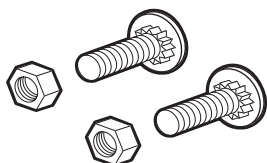
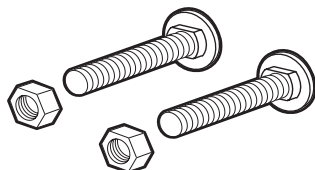
GD-52238

GD-52129
GD-52130



GD-52288
GD-52217

GD-52103



GD-52265

GD-12222 (Left hand)
GD-12223 (Right hand)

Torsion Spring Cable Drum

Contents: 1 cable drum, with set screws.

Description: Diecast cable drum used on torsion spring doors; spools lifting cable as door operates. Accepts cables up to 1/8" in diameter; maximum weight load, per drum, is 265 lbs. Color coded **Red** (right hand); **Black** (left hand).

GD-52238

Winding Rods

Contents: 2 winding rods.

Description: 1/2" diameter x 16" long, hard drawn wire rods; used to wind and unwind tension on torsion springs; **these are the only tools recommended for this purpose.**

GD-52129 (5" open grip)

GD-52130 (6" roll grip)

Bottom Lift Handle

Contents: 2 handles; 4 ea. 1/4" -20 x 1-7/8" pancake head carriage bolts with nuts.

Description: Galvanized steel construction; lift handle can be used in vertical or horizontal position; replaces most handles currently in use.

GD-52288 (Zinc plated)

GD-52217 (Brass plated)

Bottom Lift Handle

Contents: 1 handle; 2 ea. 1/4"-20 x 1-7/8" pancake head carriage bolts with nuts.

Description: Steel construction; handle can be used in vertical or horizontal position; replaces most handles currently in use.

You may wish to stock this related part: **GD-12129, GD-12130.**

GD-52103

Carriage Bolts With Nuts

Contents: 12 ea. 1/4"-20 x 1-7/8" pancake head carriage bolts; with nuts.

Description: Zinc plated bolts; used to attach most hardware to garage doors; flat head allows for smooth exterior finish.

GD-52265

Ribbed Neck Bolts With Nuts

Contents: 12 ea. 1/4" - 20 x 1/2" pancake head, ribbed neck bolts with nuts.

Description: Slotted, zinc plated bolts and hex nuts; used on fiberglass garage doors.

Garage Door

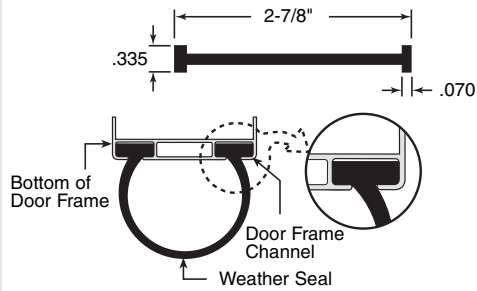
GD-12127 (9' long)
GD-12128 (16' long)

*Call for
Availability*

Weatherstrip (Fiberglass and Aluminum Door)

Contents: 1 vinyl strip.

Description: Gray vinyl material has excellent performance characteristics in all weather conditions. Fits on fiberglass and metal doors by *Frantz, Clopay* and many other manufacturers.



GD-12127
GD-12128

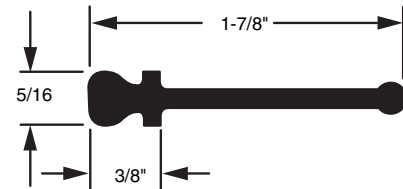
GD-12273 (10' long)
GD-12274 (16' long)

Weatherstrip (Metal Door)

Contents: 1 vinyl strip.

Description: Fits 1 piece & metal sectional doors, weatherstrip is constructed of a gray vinyl material. Will not freeze under sub-zero temperatures.

GD-12273
GD-12274

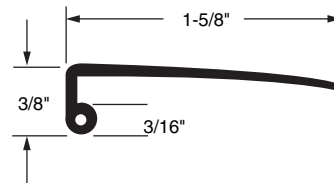


GD-12275 (10' long)
GD-12276 (16' long)

Weatherstrip (Metal Door)

Contents: 1 vinyl strip.

Description: Fits 1 piece & metal sectional doors, weatherstrip is constructed of a gray vinyl material. Will not freeze under sub-zero temperatures.



GD-12275
GD-12276

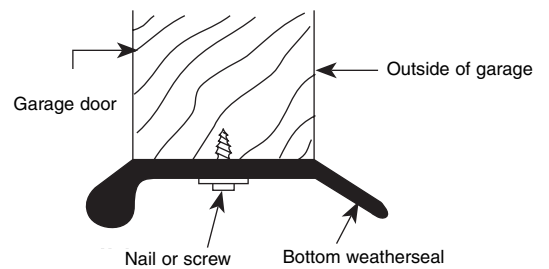
GD-12125 (9' long)
GD-12126 (16' long)

Weatherstrip (Wood Door)

Contents: 1 vinyl strip with nails.

Description: Black vinyl material has excellent consistency even in the coldest weather; will fit a standard 1-3/8" thick garage door; used by many wood door manufacturers.

GD-12125
GD-12126



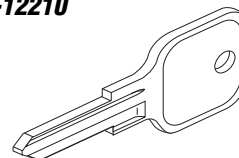
GD-12210

Key Blanks

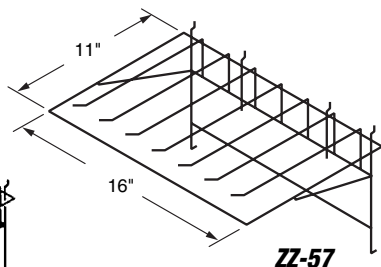
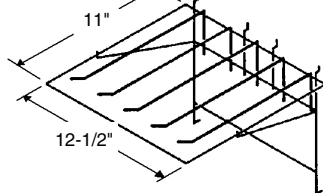
Contents: 25 blanks per bag.

Description: Standard key blanks for re-keying "T" and "L" locking handles; for **GD-12122** and **GD-12123**.

GD-12210



GD-12136

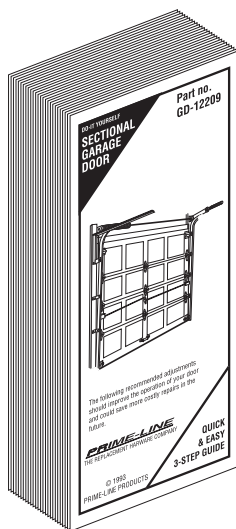


GD-12136 (5 prong)
ZZ-57 (7 prong)

Spring Rack

Contents: 1 wire rack.

Description: Plated steel wire rack holds up to 5 or 7 different sizes of springs; attaches to existing pegboard.



GD-12209

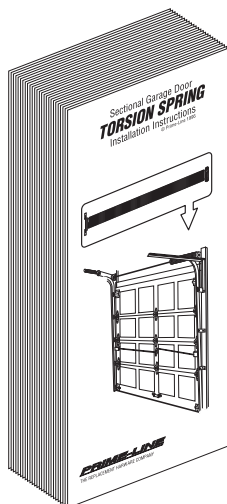
GD-12209
ZZ-34 (With wire rack)

Maintenance Brochures

Contents: 50 brochures.

Description: Complete how-to instructions on adjusting spring tension, leveling door, and general problem solving.

GD-12280



GD-12280
ZZ-58 (With wire rack)

Torsion Spring Brochures

Contents: 50 Brochures.

Description: Detailed instructions on how to remove and replace torsion springs. **NOTE:** It is advisable to use a professional installer for this project.

Can't find what your looking for ?

Call our customer service department at the number below. We may be able to source it for you!

INDEX - Storm and Screen Door

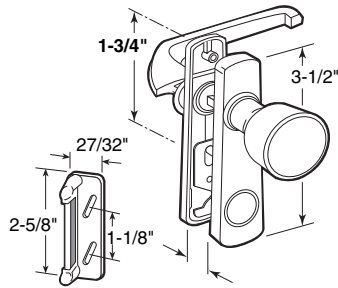
Part No.	Page No.	Description	Package Quantity	Standard Pack
K-5000 (Aluminum)	K-1	Tulip Knob Latch	1	6
K-5001 (Black)	K-1	Tulip Knob Latch	1	6
K-5002 (Gold)	K-1	Tulip Knob Latch	1	6
K-5003 (Aluminum)	K-7	Strike Plate	1	14
K-5004 (Black)	K-7	Strike Plate	1	14
K-5005 (Gold)	K-7	Strike Plate	1	14
K-5006 (Aluminum)	K-2	Push Button Latch	1	6
K-5007 (Black)	K-2	Push Button Latch	1	6
K-5008 (Gold)	K-2	Push Button Latch	1	6
K-5009 (Aluminum)	K-7	Strike Plate	1	6
K-5010 (Black)	K-7	Strike Plate	1	6
K-5011 (Gold)	K-7	Strike Plate	1	6
K-5012	K-3	Replacement Push Button	1	6
K-5013 (Aluminum)	K-7	Strike Plate (Double door)	1	6
K-5014 (Black)	K-7	Strike Plate (Double door)	1	6
K-5015 (Gold)	K-7	Strike Plate (Double door)	1	6
K-5016 (Aluminum)	K-7	Strike Plate (Double door)	1	6
K-5019 (Chrome)	K-9	Slide Bolt	1	6
K-5021	K-5	Locking Unit	1	6
K-5022	K-6	Locking Unit	1	6
K-5023	K-6	Locking Unit	1	6
K-5024	K-6	Locking Unit	1	6
K-5025 (Aluminum)	K-8	Inside Latching Handle	1	6
K-5026 (Aluminum)	K-10	Protector Chain	1	10
K-5027 (Aluminum)	K-12	Pneumatic Closer	1	6
K-5028 (Black)	K-12	Pneumatic Closer	1	6
K-5029 (Gold)	K-12	Pneumatic Closer	1	6
K-5030	K-13	Jamb Bracket (Top mount)	1	6
K-5031	K-13	Jamb Bracket (Side mount)	1	6
K-5032	K-14	Door Bracket	1	6
K-5033	K-14	Door Bracket	1	6
K-5034	K-14	Closer Repair Kit	1	6
K-5035	K-9	Adjustable Door Spring	1	10
K-5036 (2-1/2")	K-9	Hook and Eye	2	6
K-5037	K-8	Brace with Turn Buckle	1	6
K-5038 (Aluminum)	K-10	Replacement Hinge (Steel)	2	6
K-5039 (Black)	K-10	Replacement Hinge (Steel)	2	6
K-5043 (Black)	K-11	Self-Closing Hinge	2	6
K-5044 (Brass)	K-11	Self-Closing Hinge	2	6
K-5045	K-10	Wood Screen Door Kit	1	10
K-5050 (Brass plated)	K-8	Pull Handle	1	6
K-5051	K-9	Door Catch	1	6
K-5052 (Aluminum)	K-3	Door Latch	1	6
K-5053 (Aluminum)	K-4	Door Lock	1	6
K-5054	K-9	Hook and Eye	2	6
K-5056 (Black)	K-4	Security Door Mortise Lock	1	1
K-5057 (Black)	K-4	Security Door Mortise Lock	1	1
K-5058 (Aluminum)	K-13	Hydraulic Closer	1	6
K-5059 (Black)	K-13	Hydraulic Closer	1	6
K-5061 (Kwikset-Weiser keyway)	K-5	Locking Cylinder (Double keyed)	1	6
K-5062 (Kwikset keyway)	K-5	Locking Cylinder With Thumbturn	1	6
K-5063 (Black)	K-4	Mortise Lock Levers Only	1 set	1
K-5064	K-4	Mortise Lock Insert	1	1
K-5066	K-5	Mortise Lock Insert	1	1
K-5067 (Aluminum)	K-12	Pneumatic Closer	1	6

INDEX - Storm and Screen Door

Part No.	Page No.	Description	Package Quantity	Standard Pack
K-5070 (Aluminum)	K-2	Push Button Latch	1	6
K-5071 (Black)	K-2	Push Button Latch	1	6
K-5072	K-13	Jamb Bracket with Plate	1	6
K-5073 (Black)	K-12	Pneumatic Closer	1	6
K-5074 (Aluminum)	K-12	Pneumatic Closer (With shock-spring)	1	6
K-5075 (Black)	K-15	Hardware Kits (Carded)	1	5
K-5076 (Black)	K-12	Pneumatic Closer (With shock-spring)	1	6
K-5077 (Aluminum)	K-1	Tulip Knob Latch	1	6
K-5078 (Aluminum)	K-1	Tulip Knob Lock	1	6
K-5079 (Black)	K-3	Colonial Push Button Latch	1	6
K-5080 (Black)	K-3	Colonial Push Button Lock	1	6
K-5081 (Polished brass)	K-1	Mortise Door Lock	1	10
K-5082 (Black)	K-2	Push Button Latch	1	6
K-5083	K-15	Deluxe Wood Door Kit (Carded)	1	4
K-5084 (Aluminum)	K-15	Hardware Kits (Carded)	1	5
K-5089 (Aluminum)	K-2	Push Button Lock	1	6
K-5090 (Black)	K-2	Push Button Lock	1	6
K-5091 (Black with locking cylinder)	K-4	Security Door Mortise Lock	1	1
K-5092 (Black with locking cylinder)	K-4	Security Door Mortise Lock	1	1
K-5093	K-11	Replacement Hinge	1	6
K-5094 (Aluminum)	K-14	Hardware Kits (Boxed)	1	1
K-5095 (Black)	K-14	Hardware Kits (Boxed)	1	1
K-5096 (Aluminum)	K-8	Outside Handle	1	6
K-5097 (Black)	K-8	Outside Handle	1	6
K-5098 (Black)	K-8	Inside Latching Handle	1	6
K-5099 (Black)	K-6	Locking Unit	1	6
K-5100	K-7	Shim Plates (Plastic)	4	6
K-5101 (Black)	K-3	Door Latch	1	6
K-5102 (Black)	K-4	Door Lock	1	6
K-5103 (Aluminum)	K-12	Pneumatic Closer	1	6
K-5104 (Black)	K-12	Pneumatic Closer	1	6
K-5105 (Schlage keyway)	K-5	Locking Cylinder With Thumbturn	1	6
K-5106 (Schlage keyway)	K-5	Locking Cylinder (Double keyed)	1	6
K-5107 (Gray)	K-2	Push Button Latch	1	6
K-5108 (Aluminum)	K-13	Pneumatic Closer (1-1/2" Barrel)	1	6
K-5109 (Black)	K-13	Pneumatic Closer (1-1/2" Barrel)	1	6
K-5110 (Knob latch kit - Aluminum)	K-14	Hardware Kits (Boxed)	1	1
K-5111 (Knob latch kit - Black)	K-14	Hardware Kits (Boxed)	1	1
K-5112 (Push button kit - Aluminum)	K-14	Hardware Kits (Boxed)	1	1
K-5113 (Push button kit - Black)	K-14	Hardware Kits (Boxed)	1	1
K-5116 (White)	K-2	Push Button Latch	1	6
K-5117 (White)	K-7	Strike Plate	1	14
K-5118 (White)	K-12	Pneumatic Closer	1	6
K-5119 (White)	K-12	Pneumatic Closer	1	6
K-5120 (White)	K-13	Pneumatic Closer (1-1/2" Barrel)	1	6
K-5121 (White)	K-1	Tulip Knob Latch	1	6
K-5125 (Aluminum)	K-3	Push/Pull Latch	1	6
K-5129	K-15	Wood Screen Door Spring (Bulk)	1	10
K-5130 (Brass finish)	K-5	Storm Door Mortise Lock	1	6
K-5131 (White)	K-11	Hinge Pins and Bushings	6	6
K-5132 (Black)	K-11	Hinge Pins	6	6
K-5133 (Black - 1-1/2" hole centers)	K-8	Inside Latching Handle	1	6
K-5134 (Aluminum - 1-1/2" hole centers)	K-8	Inside Latching Handle	1	6
K-5135 (Aluminum - 1-3/4" hole centers)	K-8	Inside Latching Handle	1	6
K-5136 (Black - 1-3/4" hole centers)	K-8	Inside Latching Handle	1	6

Part No.	Page No.	Description	Package Quantity	Standard Pack
K-5137	K-10	Deluxe Protector Chain	1	6
K-5140 (White)	K-2	Push Button Lock	1	6
K-5141 (Black)	K-10	Protector Chain	1	6
K-5142	K-11	Replacement Hinge (Aluminum)	2	6
K-5143 (White)	K-15	Hardware Kits (Carded)	1	1
K-5144 (2")	K-9	Hook and Eye	2	6
K-5145 (White)	K-2	Push Button Latch	1	6
K-5148	K-6	Strike Plate Assortment	3	6
K-5149 (Aluminum)	K-1	Universal Knob Latch (Adjustable hole centers)	1	6
K-5150 (Black)	K-1	Universal Knob Latch (Adjustable hole centers)	1	6
K-5151 (White)	K-1	Universal Knob Latch (Adjustable hole centers)	1	6
K-5158 (White)	K-12	Pneumatic Closer	1	6
K-5159	K-10	Protector Chain (Commercial)	1	6
K-5169 (1-1/8" thick doors)	K-6	Locking Unit	1	6
K-5170 (Chocolate brown)	K-1	Tulip Knob Latch	1	6
K-5171 (Chocolate brown)	K-2	Push Button Latch	1	6
K-5172 (Chocolate brown)	K-12	Pneumatic Closer	1	6
K-5173 (Chocolate brown)	K-12	Pneumatic Closer	1	6
K-5174 (Chocolate brown)	K-13	Pneumatic Closer (1-1/2" Barrel)	1	6
SP-9640	K-15	Wood Screen Door Spring (Bulk)	1	10
SP-9641	K-15	Wood Screen Door Spring (Bulk)	1	10
SP-9642	K-15	Wood Screen Door Spring (Bulk)	1	10
SP-9643	K-15	Wood Screen Door Spring (Bulk)	1	10
SP-9644	K-15	Wood Screen Door Spring (Bulk)	1	10

K-5000
K-5001
K-5002
K-5121
K-5170



5/8" to 1-1/4" thick doors

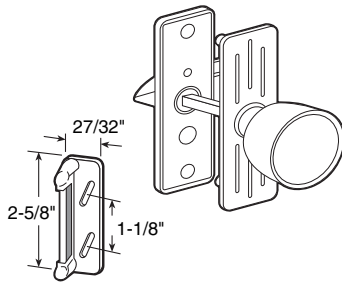
K-5000 (Aluminum)
K-5001 (Black)
K-5002 (Gold)
K-5121 (White)
K-5170 (Chocolate brown)

Tulip Knob Latch

Contents: 1 outside knob; 1 inside latch; 1 strike; 1 set of installation screws.

Description: Designed for outswinging wood or metal, screen or storm doors; **5/8" to 1-1/4" thick**, complete with night lock; **(1-3/4" hole spacing)**.

You may also wish to stock these related parts: **K-5003, K-5004, K-5027, K-5028.**



K-5077

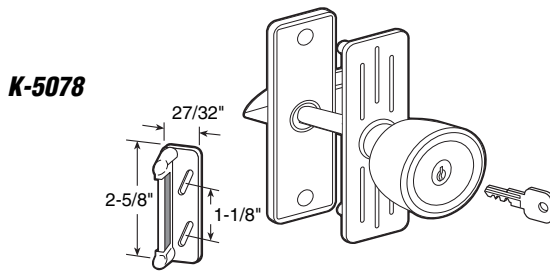
K-5077 (Aluminum)

Tulip Knob Latch

Contents: 1 outside knob; 1 inside handle; 1 strike; 1 set of installation screws.

Description: For most outswinging doors **1" to 1-1/4" thick**; interior locking mechanism; **(3" hole spacing)**.

You may also wish to stock these related parts: **K-5058, K-5067, K-5074, K-5078.**



K-5078

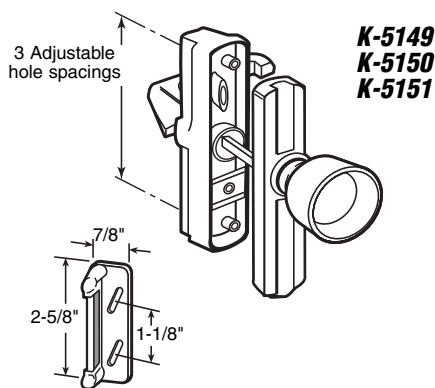
K-5078 (Aluminum)

Tulip Knob Lock

Contents: 1 outside locking knob; 1 inside handle; 1 strike; 2 keys; 1 set of installation screws.

Description: For most outswinging doors **1" to 1-1/4" thick**; key-in knob is used for re-entry only; **(3" hole spacing)**.

You may also wish to stock these related parts: **K-5058, K-5067, K-5073, K-5074, K-5076.**



K-5149
K-5150
K-5151

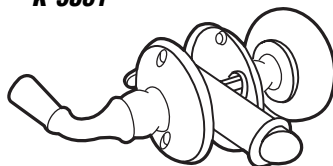
K-5149 (Aluminum)
K-5150 (Black)
K-5151 (White)

Universal Knob Latch (Adjustable hole centers)

Contents: 1 outside knob; 1 inside handle; 1 strike; 2 shims; 2 screw inserts; 1 set of installation screws.

Description: For outswinging doors **5/8" to 1-1/4" thick**; interior locking; movable screw inserts to accommodate **(1-1/2", 1-3/4" and 3" hole spacing)**.

K-5081



K-5081 (Polished brass)

Mortise Door Lock

Contents: 1 outside knob; 1 inside handle; 1 mortise latch; 2 backplates; includes all installation parts.

Description: **Solid brass (knob, handle & backplates)**; for wood and metal doors **7/8" to 1-3/8" thick**; interior locking mechanism; round outside knob and lever action inside handle; primarily used on wood doors; requires a **1-3/4" backset**.

You may also wish to stock these related parts: **K-5026, K-5027, K-5028, K-5067, K-5073, K-5074, K-5076.**

Storm and Screen Door

- K-5006** (Aluminum)
- K-5007** (Black)
- K-5008** (Gold)
- K-5145** (White)

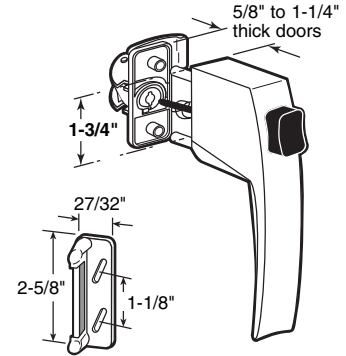
Push Button Latch

Contents: 1 outside handle; 1 inside latch; 1 strike; 1 set of installation screws.

Description: Designed for outswinging wood or metal, screen or storm doors; **5/8" to 1-1/4" thick**, complete with night lock; (**1-3/4" hole spacing**).

You may also wish to stock these related parts: **K-5003, K-5004, K-5027, K-5028.**

- K-5006**
- K-5007**
- K-5008**
- K-5145**



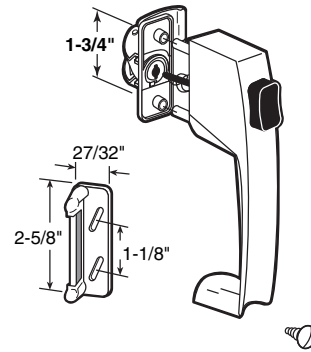
- K-5070** (Aluminum)
- K-5071** (Black)
- K-5116** (White)
- K-5171** (Chocolate brown)

Push Button Latch

Contents: 1 outside handle; 1 inside latch; 1 strike; 1 set of installation screws.

Description: Designed for outswinging wood or metal, screen or storm doors; **1" to 1-1/4" thick**; complete with night lock; contemporary design with tie-down screw at bottom of handle; (**1-3/4" hole spacing**); for **key locking**, use **K-5024**.

You may wish to stock these related parts: **K-5027, K-5028.**



- K-5070**
- K-5071**
- K-5116**
- K-5171**

- K-5107** (Aluminum)
- K-5082** (Black)

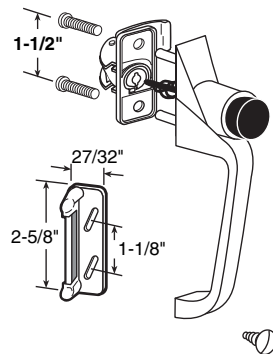
Push Button Latch

Contents: 1 outside handle; 1 inside latch; 1 strike; 1 set of installation screws.

Description: For outswinging screen and storm doors **1" to 1-1/4" thick**; interior locking and no-lockout feature; (**1-1/2" hole spacing**).

You may wish to stock these related parts: **K-5026, K-5028, K-5073, K-5076, K-5082.**

- K-5107**
- K-5082**



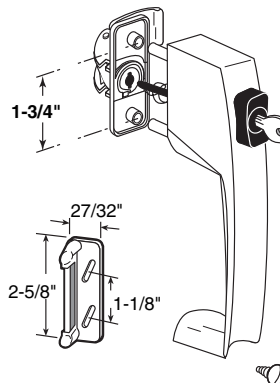
- K-5089** (Aluminum)
- K-5090** (Black)
- K-5140** (White)

Push Button Lock

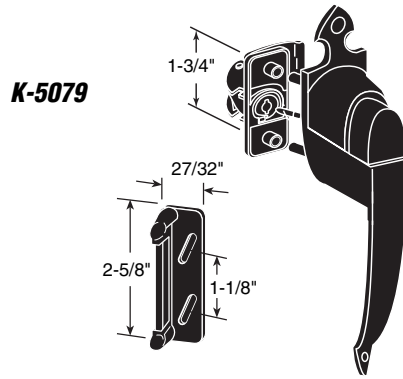
Contents: 1 outside handle; 1 inside latch; 1 keyed locking unit; 1 strike; 1 set of installation screws.

Description: Designed for outswinging wood or metal, screen or storm doors, **1" to 1-1/4" thick**; contemporary design with tie-down screw at bottom of handle; (**1-3/4" hole spacing**).

You may wish to stock these related parts: **K-5027, K-5028.**



- K-5089**
- K-5090**
- K-5140**



K-5079

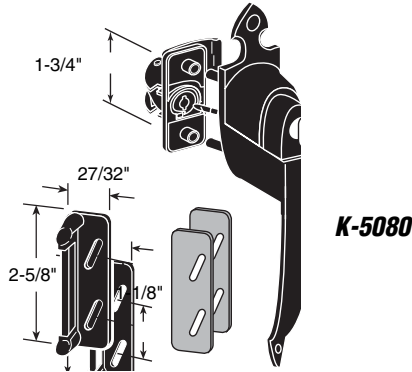
K-5079 (Black)

Colonial Push Button Latch

Contents: 1 outside handle; 1 inside latch; 1 strike; 1 set of installation screws.

Description: For outswinging screen and storm doors **1" to 1-1/4" thick; black hammered finish;** interior locking and no-lockout feature; **(1-3/4" hole spacing)**.

You may wish to stock these related parts: **K-5026, K-5028, K-5073, K-5076, K-5099.**



K-5080

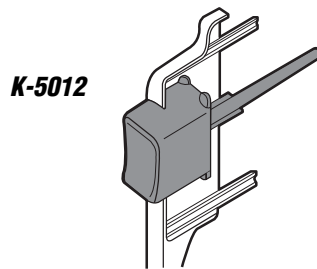
K-5080 (Black)

Colonial Push Button Lock

Contents: 1 outside handle; 1 inside latch; 1 keyed locking unit; 1 strike; 1 set of installation screws.

Description: For outswinging screen and storm doors **1" to 1-1/4" thick; black hammered finish;** interior locking and no-lockout feature; keyed locking push button for outside key control; **(1-3/4" hole spacing)**.

You may wish to stock these related parts: **K-5026, K-5028.**



K-5012

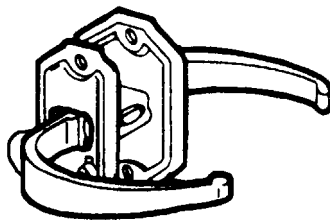
K-5012

Replacement Push Button

Contents: 1 push button spindle.

Description: **Black plastic** push button; replacement for most *Ideal Security* pushbutton type latches.

You may wish to stock these related parts: **K-5006, K-5007, K-5070, K-5071.**



K-5125

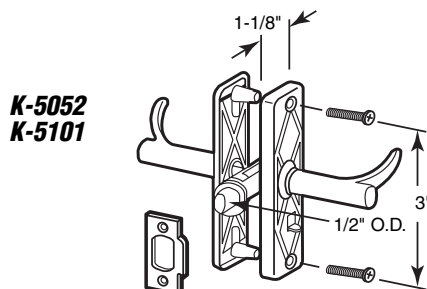
K-5125 (Aluminum)

Push/Pull Latch

Contents: 1 inside/outside pull handle; 2 cover plates; 1 set of installation screws.

Description: Popular for wood or metal doors; **installs in 1" dia. single hole;** no mortising; for outswinging doors **1" to 1-3/8" thick;** pull to open from outside, push to open from inside; **backset 11/16" from surface of stop on jamb.**

You may also wish to stock these related parts: **K-5009, K-5010, K-5011, K-5074, K-5076.**



K-5052
K-5101

K-5052 (Aluminum)

K-5101 (Black)

Door Latch

Contents: 1 outside handle; 1 inside handle; 1 mortise bolt; 1 strikeplate; 1 set of installation screws.

Description: Designed to fit most combination screen and storm doors; **reversible;** internal lock for extra security; accepts **7/8" to 1-1/4" door thickness;** **3/4" backset;** **uses 3" hole spacing.**

You may also wish to stock these related parts: **K-5053, E-2151**(keyed locking cylinder).

Storm and Screen Door

K-5053 (Aluminum)
K-5102 (Black)

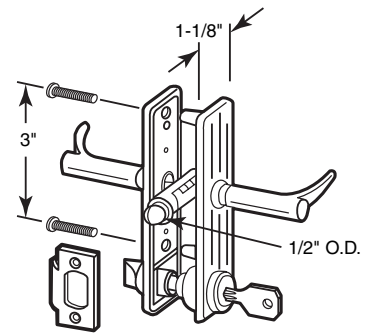
Door Lock

Contents: 1 outside handle; 1 inside handle; 1 mortise bolt; 1 strikeplate; 1 locking cylinder; 1 set of installation screws.

Description: Designed to fit most combination screen and storm doors; exterior key cylinder (**E-2151**); **reversible**; accepts **7/8"** to **1-1/4"** door thickness; **3/4"** backset; uses **3"** hole spacing.

You may also wish to stock these related parts: **K-5052**, **E-2151**.

K-5053
K-5102



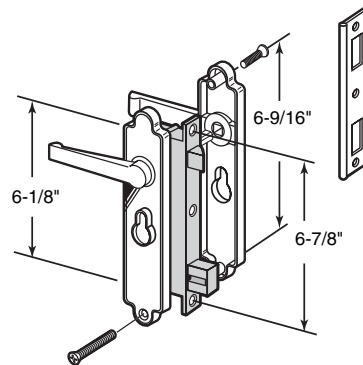
K-5057 (Black)
K-5092 (Black with locking cylinder)

Security Door Mortise Lock

Contents: 1 inside handle; 1 outside handle; 1 spindle; 1 mortise lock assembly; 1 strikeplate; (1 locking cylinder); 1 set of installation screws.

Description: Heavy duty **diecast**, **low profile**, lever handled mortise lock; **brass plated steel** strike; as supplied on wire mesh type security doors; uses **K-5061** double key cylinder; used on **Academy** doors.

You may also wish to stock related parts: **K-5062**, **K-5073**.



K-5057
K-5092

K-5063 (Black)

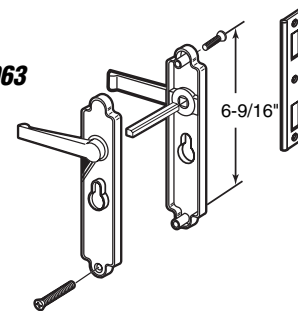
Mortise Lock Levers Only

Contents: 1 inside handle; 1 outside handle; 1 spindle; assembly screws.

Description: **Diecast** inside and outside handle assemblies for use on **K-5057** & **K-5092**.

You may also wish to stock these related parts: **K-5057**, **K-5061**, **K-5062**, **K-5064**.

K-5063



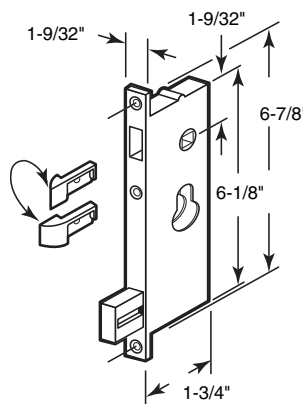
K-5064

Mortise Lock Insert

Contents: 1 mortise lock insert.

Description: Heavy duty **diecast** mortise lock insert; non-handed; **reverse latchbolt** for left or right-hand application; used with **K-5057** & **K-5092**.

You may also wish to stock these related parts: **K-5057**, **K-5061**, **K-5062**, **K-5063**.



K-5064

K-5056 (Black)
K-5091 (Black with locking cylinder)

Security Door Mortise Lock

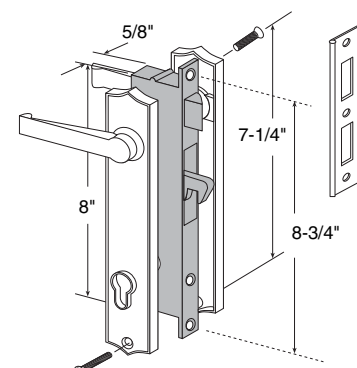
Contents: 1 inside handle; 1 outside handle; 1 spindle; 1 mortise lock assembly; 1 strikeplate; (1 locking cylinder); 1 set of installation screws.

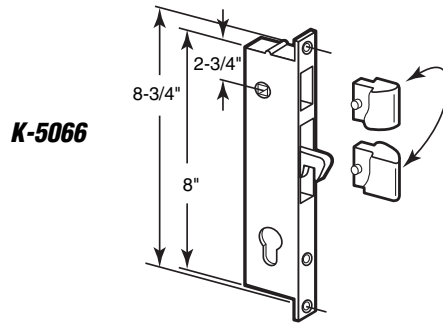
Description: Heavy duty **diecast**, **low profile**, lever handled mortise lock; **brass plated steel** strike; as supplied on wire mesh type security doors; uses **K-5061** double key cylinder; used on **Columbia** doors.

You may wish to stock these related parts: **K-5059**, **K-5061**, **K-5073**.

Call for
Availability

K-5056
K-5091





K-5066

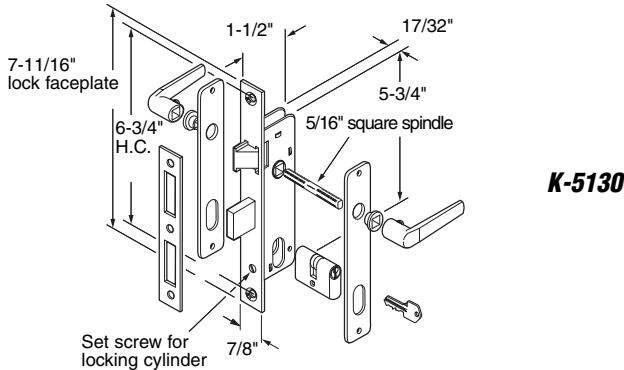
K-5066

Mortise Lock Insert

Contents: 1 mortise lock insert.

Description: Heavy duty **diecast** mortise lock insert; non-handed; **reverse latchbolt** for left or right hand application; used with **K-5056 & K-5091**.

You may wish to stock these related parts: **K-5059, K-5061, K-5062, K-5065**.



K-5130

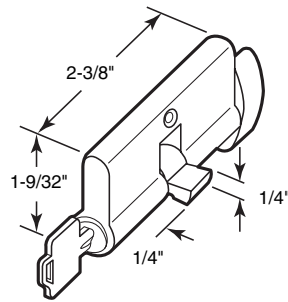
K-5130 (Brass finish)

Storm Door Mortise Lock

Contents: 1 mortise lock; 1 strike; 2 trim plates; 2 lever handles; 1 locking cylinder with 2 keys; 1 set of installation fasteners.

Description: Stamped **steel** mortise case; **solid brass** trim plates; **brass plated, diecast**, low profile handles; **solid brass** double keyed, 5 pin tumbler cylinder lock; for **1" to 1-1/2"** thick storm doors; used by several manufacturers.

**K-5105
K-5062**



K-5105 (*Schlage* keyway)

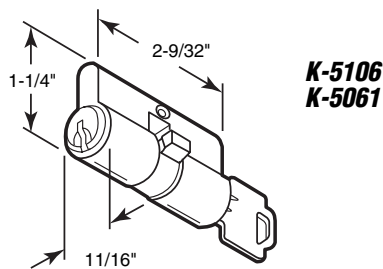
K-5062 (*Kwikset* keyway)

Locking Cylinder With Thumbturn

Contents: 1 cylinder with key.

Description: **Solid brass 5 pin tumbler**; used with security screen door mortise locking devices; adjusts to most door thicknesses.

You may also wish to stock these related parts: **K-5056, K-5057, K-5061, K-5062, K-5063, K-5064, K-5065**.



**K-5106
K-5061**

K-5106 (*Schlage* keyway)

K-5061 (*Kwikset-Weiser* keyway)

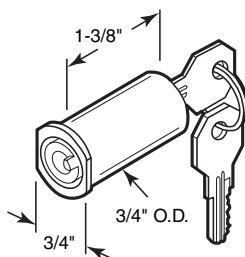
Locking Cylinder (Double keyed)

Contents: 1 cylinder; 2 keys

Description: **Double keyed, solid brass, 5 pin tumbler**; used with security screen door mortise locking devices; adjusts to most door thicknesses; for interior and exterior key locking.

You may also wish to stock these related parts: **K-5056, K-5057, K-5061, K-5062, K-5063, K-5064, K-5065**.

K-5021



K-5021

Locking Unit

Contents: 1 locking cylinder with 2 keys.

Description: Key cylinder unit converts most **1-3/4"** hole spacing knob latches to key operating units; one size fits doors **5/8" to 1-1/4"** thick.

You may also wish to stock these related parts: **K-5000, K-5001, K-5022, K-5152**.

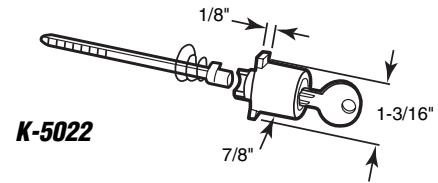
K-5022

Locking Unit

Contents: 1 push button locking cylinder; 1 latch activator shaft.

Description: Push button locking cylinder is used to convert *Ideal Security* SK-980 (12-80) push button latches to key operating units.

You may also wish to stock these related parts: **K-5021**.



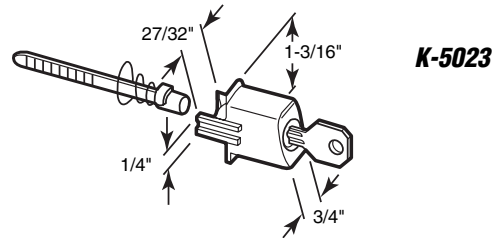
K-5023

Locking Unit

Contents: 1 push button locking cylinder; 1 latch activator.

Description: Push button locking unit replaces regular push button and converts latch to key lock; used on *Ideal "Old Style"* latches.

You may wish to stock these related parts: **K-5020, K-5024**.



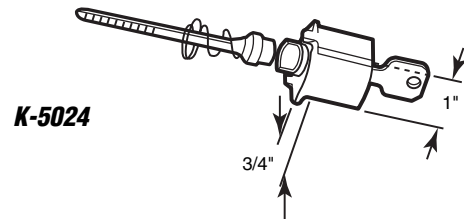
K-5024

Locking Unit

Contents: 1 push button locking cylinder; 1 latch activator shaft.

Description: Push button locking unit replaces regular push button and converts latch to key lock; fits **K-5070, K-5071, K-5116 & K-5171** handles; also used on *Ideal "New Style" & Wright Products* latches.

You may also wish to stock these related parts: **K-5006, K-5007, K-5008, K-5020**.



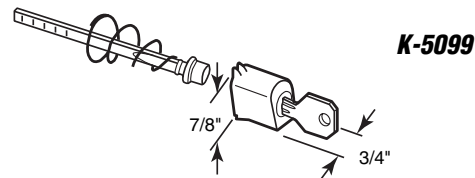
K-5099 (Black)

Locking Unit

Contents: 1 push button locking cylinder; 1 latch activator shaft.

Description: Push button locking unit replaces regular push button and converts latch to key lock; use on *"Colonial"* handle sets **K-5079 & K-5080**.

You may also wish to stock these related parts: **K-5003, K-5004, K-5079**.

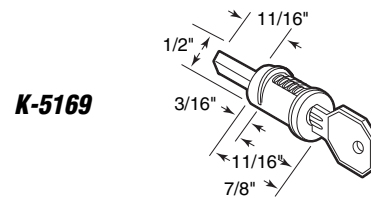


K-5169 (1-1/8" thick door)

Locking Unit

Contents: 1 lock with 2 keys.

Description: Wafer type; diecast housing; used to keylock handle sets **K-5053, K-5101** and **K-5102**.

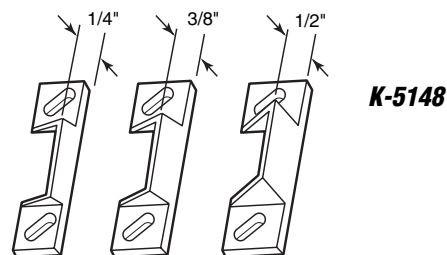


K-5148

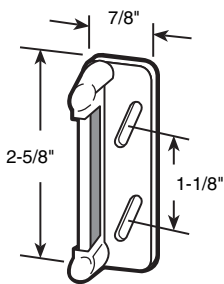
Strike Plates

Contents: 3 strike assortment; installation screws.

Description: Zinc diecast strike plates with slotted holes for universal use with a variety of retractable inside latches



K-5003
K-5004
K-5005
K-5117



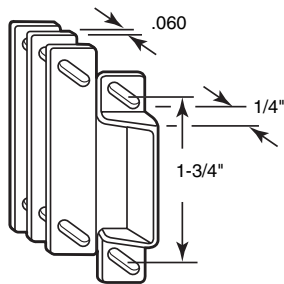
K-5003 (Aluminum)
K-5004 (Black)
K-5005 (Gold)
K-5117 (White)

Strike Plate

Contents: 1 strike; 2 shim plates; 1 set of installation screws.

Description: Resilient strike is used on latches with a **rigid interior latch**; adjustable to fit most installations.

You may wish to stock these related parts: **K-5003, K-5004.**



K-5009
K-5010
K-5011

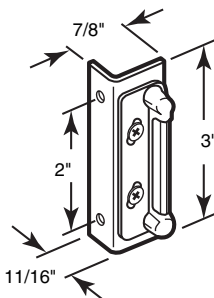
K-5009 (Aluminum)
K-5010 (Black)
K-5011 (Gold)

Strike Plate

Contents: 1 strike; 2 shim plates; 1 set of installation screws.

Description: **Diecast strikeplate** is used on latches with a **spring loaded retractable inside latch**; adjustable to fit most installations.

K-5013
K-5014
K-5015



K-5013 (Aluminum)
K-5014 (Black)
K-5015 (Gold)

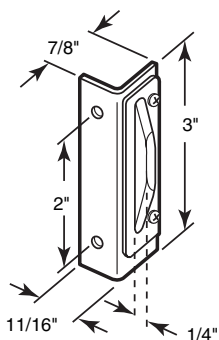
Strike Plate (Double door)

Contents: 1 strikeplate; 1 set of installation screws.

Description: For **double** screen door installations when used with a rigid interior latch; mounts onto fixed panel.

You may also wish to stock these related parts: **K-5000, K-5006, K-5019.**

Call for Availability



K-5016

K-5016 (Aluminum)

Strike Plate (Double door)

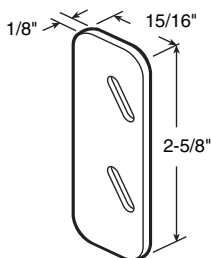
Contents: 1 strikeplate; 1 set of installation screws.

Description: For **double screen door** installations when used with a retractable inside latch; mounts onto fixed panel.

You may wish to stock these related parts: **K-5000, K-5006, K-5019.**

Call for Availability

K-5100



K-5100

Shim Plates (Plastic)

Contents: 4-1/8" thick shims.

Description: **Plastic shim** for use with spring loaded strike plate, allows strike to be raised from door stop to make firm contact with latch.

You may wish to stock these related parts: **K-5000, K-5001, K-5003 thru K-5006, K-5007, K-5112, K-5070, K-5071.**

Storm and Screen Door

K-5025 (Aluminum)

K-5098 (Black)

Inside Latching Handle

Contents: 1 inside latch assembly.

Description: Inside latching unit has rigid latch face; used to replace many (knob latch) interior latches, with **1-3/4" hole centers**.

You may also wish to stock these related parts: **K-5003, K-5004, K-5005.**

K-5096 (Aluminum)

K-5097 (Black)

Outside Handle

Contents: 1 outside latch assembly.

Description: Spring loaded outside knob latch used to repair most knob-type latches; **1-3/4" hole spacing**.

You may also wish to stock these related parts: **K-5025, K-5027, K-5098.**

K-5133 (Black - 1-1/2" hole centers)

K-5134 (Aluminum - 1-1/2" hole centers)

K-5135 (Aluminum - 1-3/4" hole centers)

K-5136 (Black - 1-3/4" hole centers)

Inside Latching Handle

Contents: 1 inside latch assembly.

Description: Inside latch; used to repair most push button type latches using resilient strikes.

You may also wish to stock these related parts: **K-5006, K-5007, K-5082, K-5107.**

K-5050 (Brass plated)

Pull Handle

Contents: 1 handle; 1 set of installation screws.

Description: **Wrought steel construction**; a traditional pull handle used on most wood screen doors.

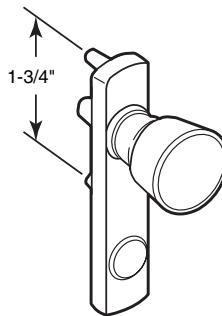
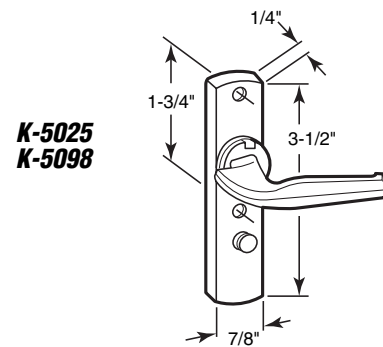
You may also wish to stock these related parts: **K-5043, K-5044.**

K-5037

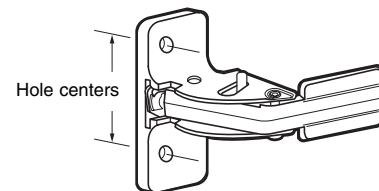
Brace with Turn Buckle

Contents: 1 turn buckle; 2 rods; 1 set of installation screws.

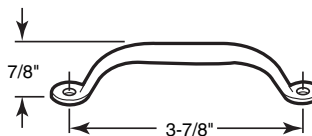
Description: Brace system used on wood screen and storm doors to protect against warping; **1/4" diameter steel rods**; diecast turn buckle; **42" total length**.



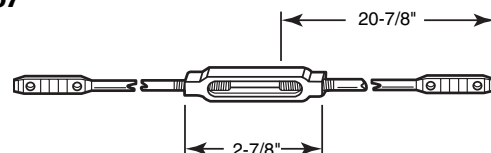
K-5133
K-5134
K-5135
K-5136



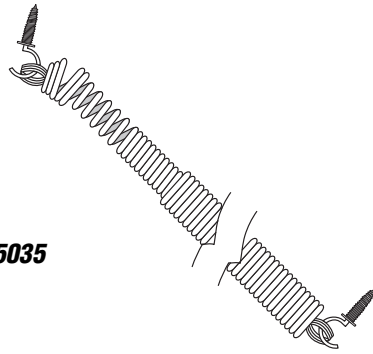
K-5050



K-5037



K-5035



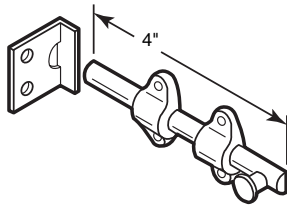
K-5035

Adjustable Door Spring

Contents: 1 spring assembly; 2 hooks.

Description: Zinc plated steel spring offers, **positive tension adjustment** for most storm and screen doors; turn adjusting spring in or out of main spring to change tension for light or heavy doors.

Note: For bulk, non-adjustable, springs see page K-15.



K-5019

K-5019 (Chrome)

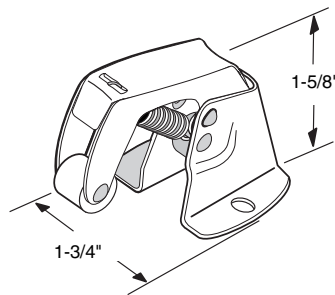
Slide Bolt

Contents: 1 bolt with strikeplate; 1 set of installation screws.

Description: Slide bolt used on double screen door installations; locks the fixed panel into place.

You may also wish to stock these related parts: **K-5013, K-5014, K-5015, K-5016.**

K-5051



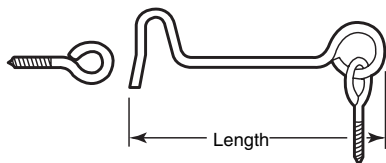
K-5051

Door Catch

Contents: 1 catch; 1 set of installation screws.

Description: Zinc plated steel; designed to fit all types of doors; **no-mar roller**; will work on most door and casing thicknesses; holds door in closed position.

You may also wish to stock these related parts: **K-5043, K-5044.**



**K-5036
K-5144**

K-5036 (2-1/2")

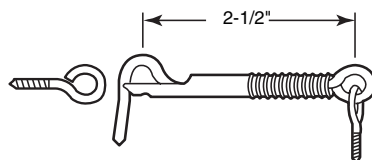
K-5144 (2")

Hook and Eye

Contents: 2 hooks; 2 eyes.

Description: Zinc plated steel hook used to secure wood screen door to jamb.

K-5054



K-5054

Hook and Eye

Contents: 2 hooks; 2 eyes.

Description: Zinc plated steel hook with **safety catch**; for wood screen doors; reduces chance of inadvertent hook removal.

K-5045

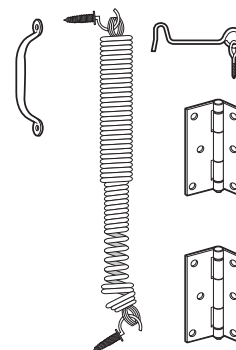
Wood Screen Door Kit

Contents: 1 handle; 1 hook; 2 butt hinges; 1 adjustable spring; 2 shims and the installation fasteners.

Description: The handle, hook and hinges are **brass plated steel**; the spring is **gold iridite spring steel**; use for left or right hand installations; hinges are reversible for surface or edge mounting and the adjustable spring allows for tension adjustment for light or heavy doors.

You may wish to stock these related parts: **K-5026, K-5035, K-5038, K-5039.**

K-5045



K-5159

Protector Chain (Commercial)

Contents: 1 chain assembly; 1 vinyl cover; 1 adjustment link; 1 set of installation screws.

Description: **Satin chrome** chain with heavy duty **diecast zinc** mounting plates; has 2 compression springs and vinyl protective cover; designed for heavy doors; **adjustable from 20" to 30-1/2"**.

K-5026 (Aluminum)

K-5141 (Black)

Protector Chain

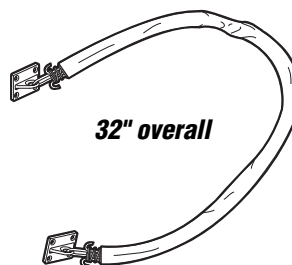
Contents: 1 chain assembly with attaching hardware.

Description: Protects wood or metal outswinging doors from wind damage; heavy gauge **spring wire** and **steel chain** installs to door and jamb.

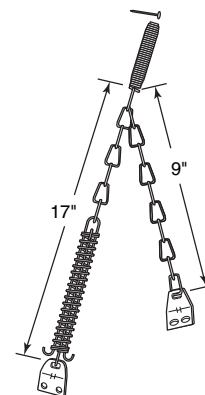
You may wish to stock these related parts: **K-5038, K-5039.**

32" overall

K-5159



**K-5026
K-5141**



K-5137

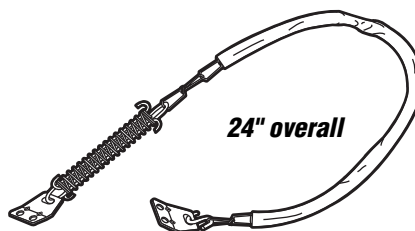
Deluxe Protector Chain

Contents: 1 chain assembly with vinyl cover; attaching hardware.

Description: Protects wood or metal outswinging doors from wind damage; vinyl cover protects doors against scratching; heavy gauge **wire spring** and **steel chain**; installs to door and jamb.

K-5137

24" overall



K-5038 (Aluminum)

K-5039 (Black)

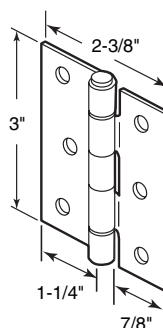
Replacement Hinge (Steel)

Contents: 2 hinges; 1 set of installation screws.

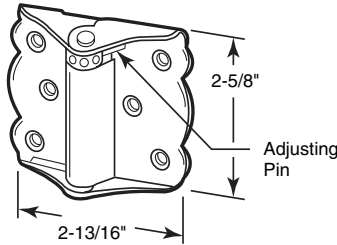
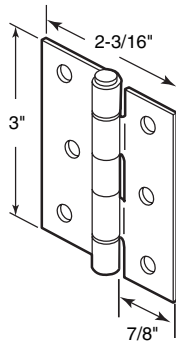
Description: **Painted steel hinge**; use for full or half mortise installations.

You may wish to stock these related parts: **K-5000, K-5006.**

**K-5038
K-5039**

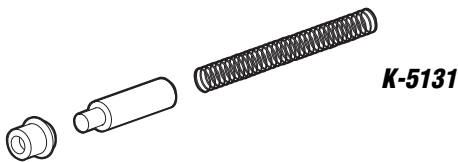
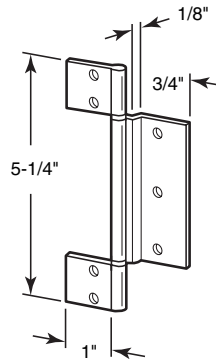


K-5142



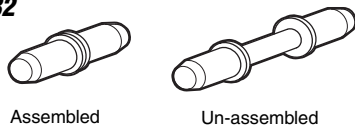
K-5043
K-5044

K-5093



K-5131

K-5132



Assembled

Un-assembled

K-5142

Replacement Hinge (Aluminum)

Contents: 2 hinges; 1 set of installation screws.

Description: Aluminum hinges with brass oilite bearings; for wood or metal screen or storm doors.

Call for Availability

K-5043 (Black)

K-5044 (Brass)

Self-Closing Hinge

Contents: 2 hinges; 1 set of installation screws.

Description: Painted or plated stamped steel hinge is spring loaded for automatic closing; adjustable spring tension; for most wood screen doors.

You may wish to stock these related parts: **K-5049, K-5050.**

K-5093

Replacement Hinge

Contents: 1 hinge; 1 set of #8 x 1/2" pan head installation screws.

Description: Extruded aluminum; 3-piece assembly; 1/8" offset center leaf; used by many screen door manufacturers.

You may wish to stock these related parts: **K-5000, K-5067.**

K-5131 (White)

Hinge Pins and Bushings

Contents: 6 pins; 6 bushings; 3 springs.

Description: Nylon pins and bushings; used in storm door hinges by several manufacturers.

You may wish to stock these related parts: **K-5000, K-5067.**

K-5132 (Black)

Hinge Pins

Contents: 6 pins.

Description: Nylon hinge pins and bushings; used in hinges on *Croft* storm doors.

You may wish to stock these related parts: **K-5000, K-5067.**

- K-5027** (Aluminum)
- K-5028** (Black)
- K-5029** (Gold)
- K-5118** (White)
- K-5172** (Chocolate brown)

Pneumatic Closer

Contents: 1 closer with mounting brackets and attaching hardware.

Description: Specifically designed for **medium weight doors**; **internally lubricated**, **adjustable** closing power and **"fast latch"** feature insures door is latched securely.

You may wish to stock these related parts: **K-5000, K-5006.**

- K-5103** (Aluminum)
- K-5104** (Black)
- K-5158** (White)

Pneumatic Closer

Contents: 1 closer with mounting brackets and attaching hardware.

Description: Specifically designed for **light weight West Coast** screen doors; **internally lubricated**, **adjustable** closing power insures door is latched securely.

You may wish to stock these related parts: **K-5000, K-5006, K-5027.**

- K-5067** (Aluminum)
- K-5073** (Black)
- K-5119** (White)
- K-5173** (Chocolate brown)

Pneumatic Closer

Contents: 1 closer with mounting brackets and attaching hardware.

Description: **Standard duty** screen or storm door closer; **adjustable** closing speed; used on **medium weight** doors.

You may wish to stock these related parts: **K-5000 thru K-5008, K-5031, K-5033, K-5034.**

- K-5074** (Aluminum)
- K-5076** (Black)

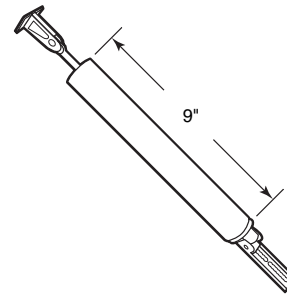
Pneumatic Closer (With shock-spring)

Contents: 1 closer with mounting brackets and attaching hardware.

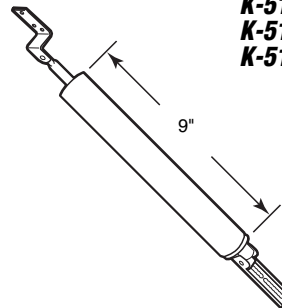
Description: **Heavy duty** storm door closer; **adjustable** closing speed; used on **medium to heavy weight** doors.

You may wish to stock these related parts: **K-5000, K-5008, K-5026, K-5038, K-5039, K-5081.**

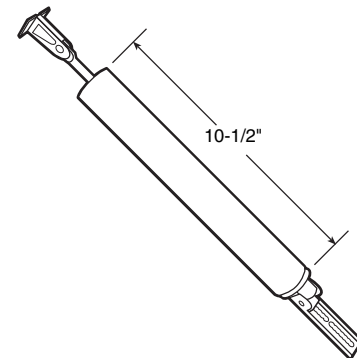
K-5027
K-5028
K-5029
K-5118
K-5172



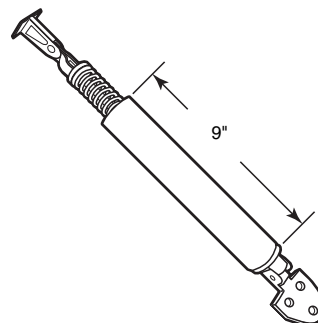
K-5103
K-5104
K-5158



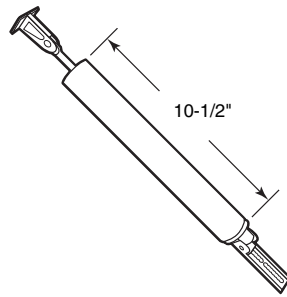
K-5067
K-5073
K-5119
K-5173



K-5074
K-5076



K-5058
K-5059



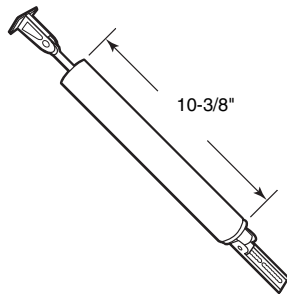
K-5058 (Aluminum)
K-5059 (Black)

Hydraulic Closer

Contents: 1 closer with mounting brackets and attaching hardware.

Description: Hydraulic door closer for medium to heavy weight doors; fully adjustable by twisting barrel; hold open in any position.

You may wish to stock these related parts: **K-5000** thru **K-5011**, **K-5027**, **K-5028**, **K-5038**, **K-5039**, **K-5074**, **K-5076**.



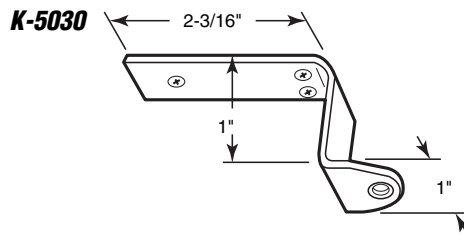
K-5108
K-5109
K-5120
K-5174

K-5108 (Aluminum)
K-5109 (Black)
K-5120 (White)
K-5174 (Chocolate brown)

Pneumatic Closer (1-1/2" Barrel)

Contents: 1 closer with mounting brackets and attaching hardware.

Description: Heavy duty closer as used on heavy storm doors; adjustable closing speed; some doors require two closers.



K-5030

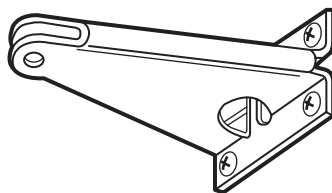
K-5030

Jamb Bracket (Top mount)

Contents: 1 bracket; 3 installation screws.

Description: Top mounting jamb bracket used with pneumatic door closers; stamped steel; ideal for narrow stop installations.

You may also wish to stock these related parts: **K-5031**, **K-5032**, **K-5033**, **K-5103**, **K-5104**, **K-5158**.



K-5031

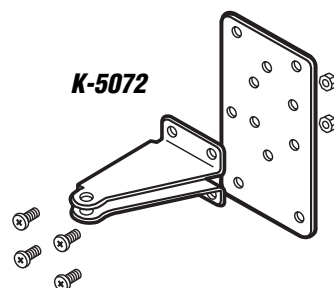
K-5031

Jamb Bracket (Side mount)

Contents: 1 bracket; 1 set of installation screws.

Description: Side mounting jamb bracket used with pneumatic door closers; stamped steel.

You may also wish to stock these related parts: **K-5030**, **K-5032**, **K-5033**, **K-5067**, **K-5073**, **K-5119**.



K-5072

K-5072

Jamb Bracket with Plate

Contents: 1 jamb bracket; 1 cover plate; 1 set of installation screws.

Description: Cadmium plated steel bracket and plate; plate bolts to bracket; used when installing over damaged jamb.

You may also wish to stock these related parts: **K-5000**, **K-5008**, **K-5070**, **K-5071**, **K-5082**.

K-5032

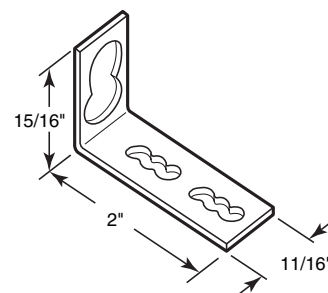
Door Bracket

Contents: 1 bracket; 1 set of installation screws.

Description: Bracket used to mount tube type closers to door surfaces; **stamped steel**.

You may also wish to stock these related parts: **K-5030, K-5032, K-5033**.

K-5032



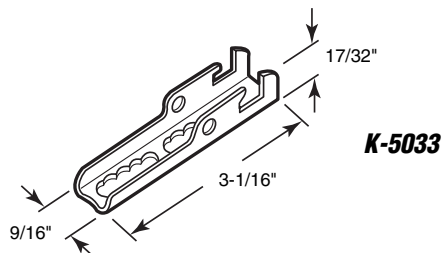
K-5033

Door Bracket

Contents: 1 bracket; 1 set of installation screws.

Description: Bracket used to mount tube type storm door closers to door surfaces; **stamped steel**; used on *Ideal Security "17-90 and 17-91"* series closers.

You may also wish to stock these related parts: **K-5030, K-5031, K-5032**.



K-5034

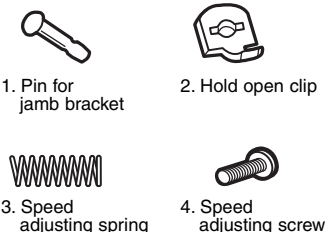
Closer Repair Kit

Contents: Jamb bracket pin; hold open clip; speed adjusting spring and screw.

Description: Replaces most of the parts that break or get lost on **pneumatic** screen and storm door closers.

You may also wish to stock these related parts: **K-5027, K-5028, K-5029**.

K-5034



K-5110 (Knob latch kit - Aluminum)

K-5111 (Knob latch kit - Black)

K-5112 (Push button kit - Aluminum)

K-5113 (Push button kit - Black)

Hardware Kits (Boxed)

Contents: 1 latch; 1 closer; complete with all brackets, parts and fasteners.

Description: **Knob or push button latch**, 1-3/4" hole spacing, for outswinging screen doors, 5/8" to 1-1/4" thick; closer (**K-5103**-aluminum or **K-5104**-black) for **lightweight West Coast screen doors**, is internally lubricated.

K-5094 (Aluminum)

K-5095 (Black)

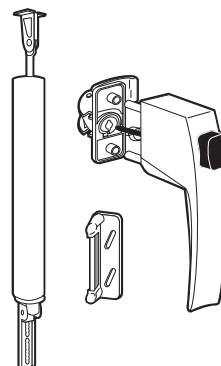
Hardware Kits (Boxed)

Contents: 1 pushbutton latch; 1 door closer; complete with all brackets, parts and fasteners.

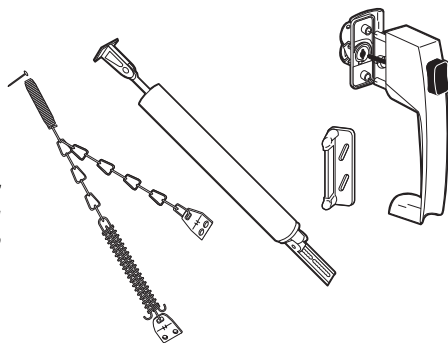
Description: Pushbutton latch, 1-3/4" hole spacing, for outswinging screen doors, 5/8" to 1-1/4" thick; **adjustable** closer (**K-5027**-aluminum or **K-5028**-black) with **"fast latch"** feature for **medium weight doors**; internally lubricated.

You may also wish to stock these related parts: **K-5000, K-5003**.

**K-5094
K-5095**



K-5075
K-5084
K-5143



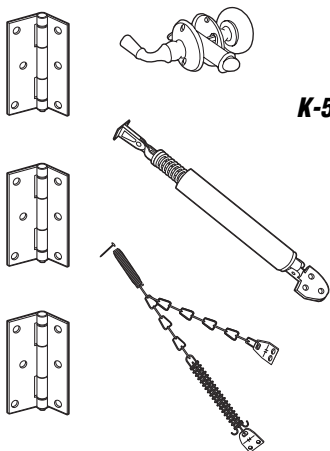
K-5075 (Black)
K-5084 (Aluminum)
K-5143 (White)

Hardware Kits (Carded)

Contents: 1 push button latch; 1 door closer; 1 chain; complete with all brackets, parts and fasteners.

Description: Push button latch, 1-3/4" hole spacing, with tie-down outside handle; door closer (**K-5073**-black or **K-5067**-aluminum) for **medium weight doors**; chain stop; for use on wood or metal doors **1" to 1-1/4" thick**.

You may also wish to stock these related parts: **K-5000, K-5008, K-5027, K-5028, K-5073, K-5074, K-5076.**



K-5083

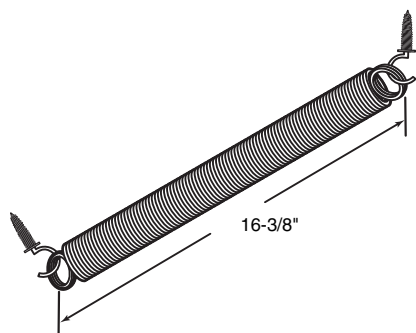
K-5083

Deluxe Wood Door Kit (Carded)

Contents: 1 mortise door lock; 3, 3-1/2" hinges; 1 door closer; 1 storm door chain; complete with all brackets, parts and fasteners.

Description: **Solid brass** door lock (**K-5081**); **brass plated steel** hinges; **aluminum finish** closer (**K-5074**); **zinc plated** storm door chain (**K-5026**); for use on wood screen and storm doors **1" to 1-1/4" thick**.

You may also wish to stock these related parts: **K-5000, K-5008, K-5027, K-5028, K-5067, K-5073.**



Wood Screen Door Springs (Bulk)

Part No.	Outside Diameter	Wire	Finish	Qty. Per Box
K-5129	23/64"	.059	Black	10
SP-9640	5/16"	.050	Nickel	10
SP-9641	23/64"	.059	Nickel	10
SP-9642	13/32"	.060	Nickel	10
SP-9643	15/32"	.065	Nickel	10
SP-9644	1/2"	.075	Nickel	10

Contents: 10 springs with 20 hooks.

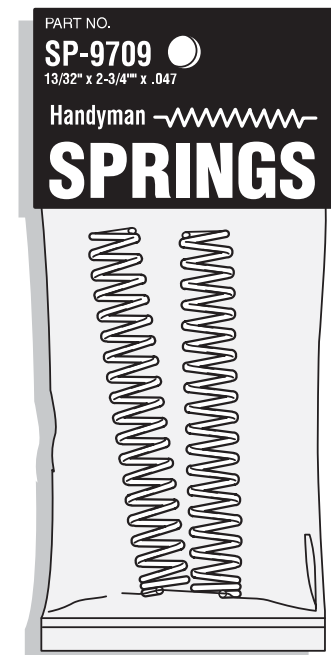
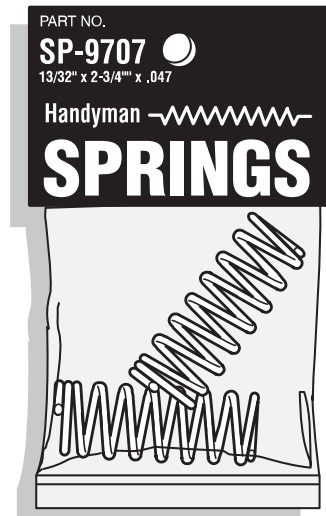
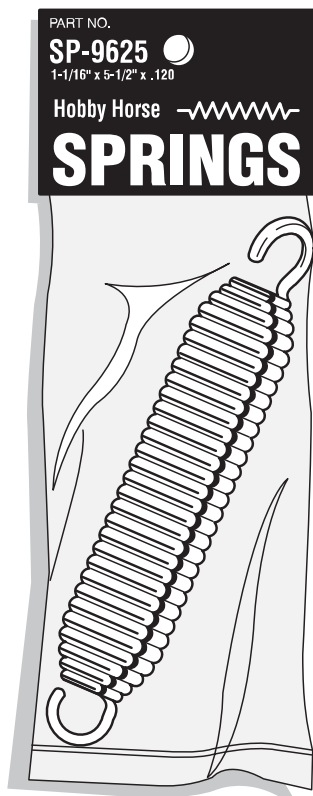
Description: **Painted and plated steel** springs; traditionally used on wood screen doors or gates.

Part No.	Page No.	Description	Package Quantity	Standard Pack
SP 9600 (1/4" x 1-1/2" x .035)	SP-2	Extension Springs	2	3
SP 9601 (5/16" x 1-1/2" x .020)	SP-2	Extension Springs	2	3
SP 9602 (7/16" x 1-1/2" x .047)	SP-2	Extension Springs	2	3
SP 9603 (1/4" x 1-7/8" x .035)	SP-2	Extension Springs	2	3
SP 9604 (11/32" x 1-7/8" x .025)	SP-2	Extension Springs	2	3
SP 9605 (7/16" x 1-7/8" x .047)	SP-2	Extension Springs	2	3
SP 9606 (5/32" x 2-1/2" x .020)	SP-2	Extension Springs	2	3
SP 9607 (1/4" x 2-1/2" x .016)	SP-2	Extension Springs	2	3
SP 9608 (7/16" x 2-1/2" x .047)	SP-2	Extension Springs	2	3
SP 9609 (7/16" x 2" x .062)	SP-2	Extension Springs	2	3
SP 9610 (5/8" x 2-1/2" x .072)	SP-2	Extension Springs	2	3
SP 9611 (9/16" x 3" x .054)	SP-2	Extension Springs	2	3
SP 9612 (7/16" x 2-3/4" x .034)	SP-2	Extension Springs	2	3
SP 9613 (1/2" x 1-5/8" x .080)	SP-2	Extension Springs	2	3
SP 9614 (3/4 x 2" x .105)	SP-2	Extension Springs	2	3
SP 9615 (3/4" x 2-1/4" x .105)	SP-2	Extension Springs	2	3
SP 9616 (3/4" x 2-7/16" x .105)	SP-2	Extension Springs	2	3
SP 9617 (3/4" x 2-5/8" x .105)	SP-2	Extension Springs	2	3
SP 9618 (5/8" x 3-1/4" x .072)	SP-2	Extension Springs	2	3
SP 9619 (3/4" x 2-7/8" x .105)	SP-2	Extension Springs	2	3
SP 9620 (3/4" x 3-1/8" x .105)	SP-2	Extension Springs	2	3
SP 9621 (15/32" x 4-1/2" x .041)	SP-2	Extension Springs	2	3
SP 9622 (5/8" x 6-1/2" x .054)	SP-2	Extension Springs	2	3
SP 9623 (13/16" x 3-1/8")	SP-2	Trampoline Extension Springs	2	3
SP 9624 (13/16" x 4" x .120)	SP-2	Extension Springs	2	3
SP 9625 (1-1/16" x 5-1/2")	SP-2	Hobby Horse Extension Springs	1	3
SP 9626 (15/16" x 8")	SP-2	Gate Torsion Springs	1	3
SP 9627 (7/8" x 6" x .091)	SP-2	Extension Springs	1	3
SP 9628 (1-1/6" x 7" x .105)	SP-2	Extension Springs	1	3
SP 9629 (1-1/4" x 6-1/2" x .162)	SP-2	Extension Springs	1	3
SP 9630 (1" x 7" x .135)	SP-2	Extension Springs	1	3
SP 9631 (3/4" x 6-1/2" x .091)	SP-2	Extension Springs	1	3
SP 9632 (1/2" x 8-1/2" x .047)	SP-2	Extension Springs	1	3
SP 9633 (7/16" x 8-1/2" x .047)	SP-2	Extension Springs	1	3
SP 9634 (9/16" x 8-1/2" x .054)	SP-2	Extension Springs	1	3
SP 9635 (5/8" x 8-1/2" x .080)	SP-2	Extension Springs	1	3
SP 9636 (1" x 8-1/2" x .120)	SP-2	Extension Springs	1	3
SP 9637 (1" x 12" x .105)	SP-2	Extension Springs	1	3
SP 9638 (7/16" x 10-1/4" x .041)	SP-2	Extension Springs	1	3
SP 9639 (9/16" x 16-1/2" x .054)	SP-2	Extension Springs	1	3
SP 9640 (5/16" x 16-3/8" x .050)	SP-3	Wood Screen Door Springs	1	10
SP 9641 (23/64" x 16-3/8" x .059)	SP-3	Wood Screen Door Springs	1	10
SP 9642 (13/32" x 16-3/8" x .060)	SP-3	Wood Screen Door Springs	1	10
SP 9643 (15/32" x 16-3/8" x .065)	SP-3	Wood Screen Door Springs	1	10
SP 9644 (1/2" x 16-3/8" x .075)	SP-3	Wood Screen Door Springs	1	10
SP 9645 (1-1/8" x 16" x .105)	SP-2	Extension Springs	1	3
SP 9700 (1/4" x 1/2" x .035)	SP-2	Compression Springs	6	3
SP 9701 (1/4" x 1" x .035)	SP-2	Compression Springs	6	3
SP 9702 (3/8" x 3/4" x .032)	SP-2	Compression Springs	6	3
SP 9703 (3/8" x 1-1/8" x .041)	SP-2	Compression Springs	4	3
SP 9704 (7/32" x 1-3/4" x .020)	SP-2	Compression Springs	4	3
SP 9705 (7/16" x 2-1/8" x .031)	SP-2	Compression Springs	4	3
SP 9706 (1/2" x 1-1/2" x .041)	SP-2	Compression Springs	2	3
SP 9707 (9/16" x 1-3/8" x .072)	SP-2	Compression Springs	2	3
SP 9708 (11/16" x 1-1/4" x .091)	SP-2	Compression Springs	2	3

INDEX - Handyman Springs

Part No.	Page No.	Description	Package Quantity	Standard Pack
SP 9709 (13/32" x 2-3/4" x .047)	SP-2	Compression Springs	2	3
SP 9710 (1/2" x 2-3/4" x .072)	SP-2	Compression Springs	2	3
SP 9711 (23/32" x 3-1/2" x .041)	SP-2	Compression Springs	2	3
SP 9712 (9/16" x 3" x .054)	SP-2	Compression Springs	2	3
SP 9713 (7/8" x 4" x .080)	SP-2	Compression Springs	2	3

Handyman SPRINGS

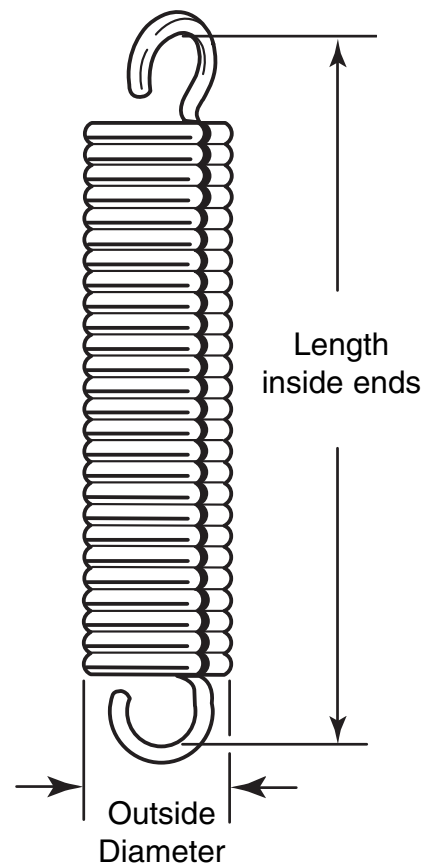


- **All springs are bagged and headered.**
- The header was specially designed for durability and distinctive presentation.
- **The bag is 4 mil and protects springs from dust and dirt.**

Handyman Springs

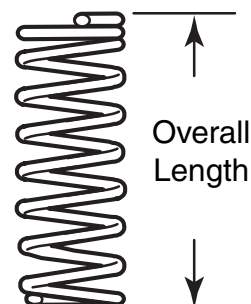
Extension Springs

Part No.	Outside Diameter	Length	Wire	Qty. Per Bag
SP 9600	1/4"	1-1/2"	.035	2
SP 9601	5/16"	1-1/2"	.020	2
SP 9602	7/16"	1-1/2"	.047	2
SP 9603	1/4"	1-7/8"	.035	2
SP 9604	11/32"	1-7/8"	.025	2
SP 9605	7/16"	1-7/8"	.047	2
SP 9606	5/32"	2-1/2"	.020	2
SP 9607	1/4"	2-1/2"	.016	2
SP 9608	7/16"	2-1/2"	.047	2
SP 9609	7/16"	2"	.062	2
SP 9610	5/8"	2-1/2"	.072	2
SP 9611	9/16"	3"	.054	2
SP 9612	7/16"	2-3/4"	.034	2
SP 9613	1/2"	1-5/8"	.080	2
SP 9614	3/4"	2"	.105	2
SP 9615	3/4"	2-1/4"	.105	2
SP 9616	3/4"	2-7/16"	.105	2
SP 9617	3/4"	2-5/8"	.105	2
SP 9618	5/8"	3-1/4"	.072	2
SP 9619	3/4"	2-7/8"	.105	2
SP 9620	3/4"	3-1/8"	.105	2
SP 9621	15/32"	4-1/2"	.041	2
SP 9622	5/8"	6-1/2"	.054	2
SP 9623	13/16"	3-1/8"	Trampoline	2
SP 9624	13/16"	4"	.120	2
SP 9625	1-1/16"	5-1/2"	Hobby Horse	1
SP 9626	15/16"	8"	Gate Spring	1
SP 9627	7/8"	6"	.091	1
SP 9628	1-1/16"	7"	.105	1
SP 9629	1-1/4"	6-1/2"	.162	1
SP 9630	1"	7"	.135	1
SP 9631	3/4"	6-1/2"	.091	1
SP 9632	1/2"	8-1/2"	.047	1
SP 9633	7/16"	8-1/2"	.047	1
SP 9634	9/16"	8-1/2"	.054	1
SP 9635	5/8"	8-1/2"	.080	1
SP 9636	1"	8-1/2"	.120	1
SP 9637	1"	12"	.105	1
SP 9638	7/16"	10-1/4"	.041	1
SP 9639	9/16"	16-1/2"	.054	1
SP 9645	1-1/8"	16"	.105	1



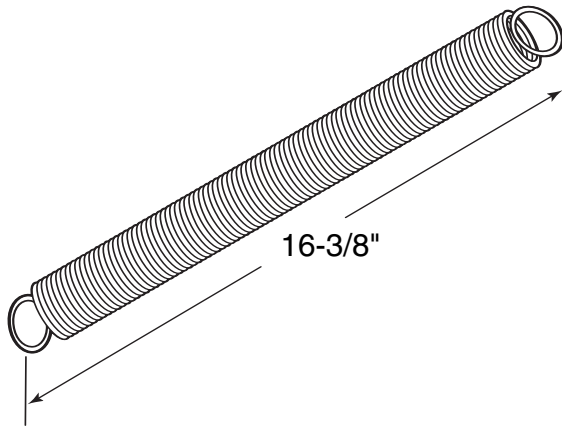
Compression Springs

Part No.	Outside Diameter	Length	Wire	Qty. Per Bag
SP 9700	1/4"	1/2"	.035	6
SP 9701	1/4"	1"	.035	6
SP 9702	3/8"	3/4"	.032	6
SP 9703	3/8"	1-1/8"	.041	4
SP 9704	7/32"	1-3/4"	.020	4
SP 9705	7/16"	2-1/8"	.031	4
SP 9706	1/2"	1-1/2"	.041	2
SP 9707	9/16"	1-3/8"	.072	2
SP 9708	11/16"	1-1/4"	.091	2
SP 9709	13/32"	2-3/4"	.047	2
SP 9710	1/2"	2-3/4"	.072	2
SP 9711	23/32"	3-1/2"	.041	2
SP 9712	9/16"	3"	.054	2
SP 9713	7/8"	4"	.080	2



Description: Nickel plated spring steel; used for a variety of household applications.

Wood Screen Door Springs (Bulk)

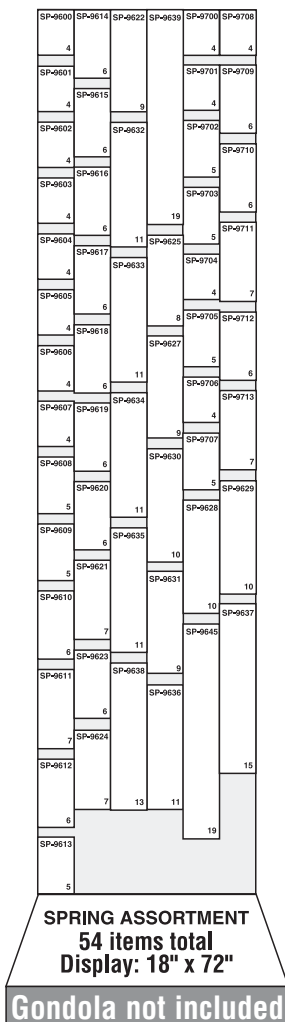


Part No.	Outside Diameter	Wire	Qty. Per Box
SP 9640	5/16"	.050	10
SP 9641	23/64"	.059	10
SP 9642	13/32"	.060	10
SP 9643	15/32"	.065	10
SP 9644	1/2"	.075	10

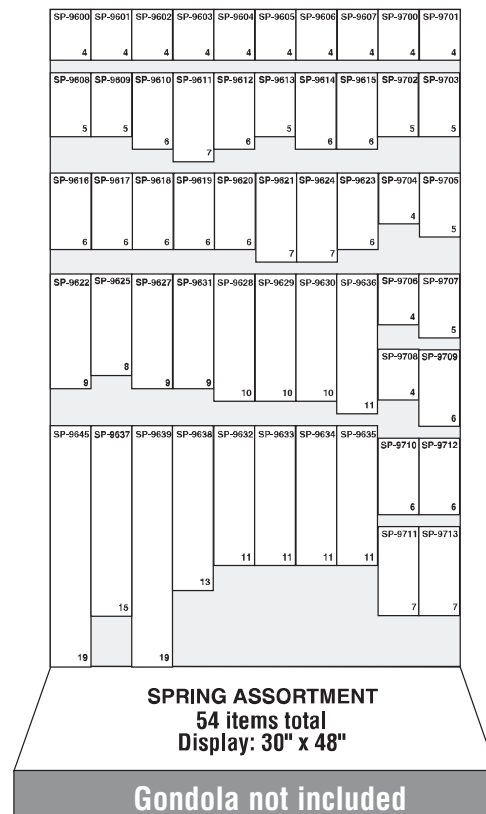
Planogramming Suggestions

Handyman Spring 18" Wide x 72" High

- Both planograms depict the best 54 sku assortment
- Part no. and overall length of bag is noted for each item



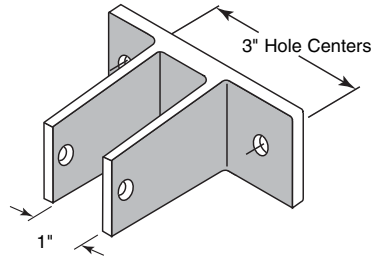
Handyman Spring 30" Wide x 48" High



INDEX - Restroom Partition Hardware

Part No.	Page No.	Description	Package Quantity	Standard Pack
PH-17003 (3-1/2" Hole centers)	PH-7	Door Pull	1	1
PH-17008 (For 1-1/4" pilaster)	PH-3	Strike/Keeper	1	1
PH-17009 (For 1-1/4" pilaster)	PH-3	Strike/Keeper	1	1
PH-17015 (For 1" panels)	PH-1	Two-Ear Wall Bracket	1	1
PH-17016 (For 1-1/4" panels)	PH-1	Two-Ear Wall Bracket	1	1
PH-17017 (For 1" panels)	PH-1	One-Ear Wall Bracket	1	1
PH-17018 (For 1-1/4" panels)	PH-1	One-Ear Wall Bracket	1	1
PH-17019 (For 1" panels)	PH-1	"U" Bracket	1	1
PH-17020 (For 1-1/4" panels)	PH-1	"U" Bracket	1	1
PH-17021 (For 1" panels)	PH-1	Urinal Screen Wall Bracket	1	1
PH-17022 (All size panels)	PH-1	Urinal Screen Wall Bracket	1	1
PH-17023 (For 1" panels)	PH-2	Headrail Bracket	1	1
PH-17024	PH-2	Bottom Hinge Bracket	1	1
PH-17025	PH-2	Top Hinge Bracket	1	1
PH-17026	PH-2	Bottom Hinge Bracket	1	1
PH-17027	PH-2	Top Hinge Bracket	1	1
PH-17028 (For 1-1/4" pilaster)	PH-3	Strike/Keeper	1	1
PH-17029	PH-3	Flat Strike	1	1
PH-17030	PH-3	Flat Strike	1	1
PH-17031	PH-4	Flat Strike	1	1
PH-17032	PH-4	Keeper	1	1
PH-17033	PH-4	Strike	1	1
PH-17034	PH-4	Keeper	1	1
PH-17035 (For 1-1/4" pilaster)	PH-4	Strike/Keeper	1	1
PH-17036 (For 1-1/4" pilaster)	PH-5	Strike/Keeper	1	1
PH-17037 (For 1-1/4" pilaster)	PH-5	Strike/Keeper	1	1
PH-17038 (For 1-1/4" pilaster)	PH-5	Strike/Keeper	1	1
PH-17039	PH-5	Slide Latch	1	1
PH-17040	PH-6	Slide Latch	1	1
PH-17041	PH-6	Emergency Entry Knob	1	1
PH-17042	PH-6	Interior Locking Knob	1	1
PH-17043	PH-6	Concealed Lock	1	1
PH-17044	PH-5	Throw Latch	1	1
PH-17045	PH-7	Concealed Door Lock	1	1
PH-17046	PH-7	Bumper Hook	1	1
PH-17047	PH-7	Coat Hook	1	1
PH-17048	PH-7	Door Stop	1	1
PH-17049 (3-1/2" or 4" Hole centers)	PH-7	Door Pull	1	1
PH-17050 (1/2" Chrome plated brass)	PH-8	"One-Way" Barrel Nut	10	1
PH-17051 (5/8" Chrome plated steel)	PH-8	"One-Way" Barrel Nut	10	1
PH-17052 (5/8" Chrome plated brass)	PH-8	"One-Way" Barrel Nut	10	1
PH-17053 (1/2" Chrome plated brass)	PH-8	"One-Way" Shoulder Screw	10	1
PH-17054 (15/16" Chrome plated brass)	PH-8	"One-Way" Shoulder Screw	10	1
PH-17055 (1-3/16" Chrome plated steel)	PH-8	"One-Way" Shoulder Screw	10	1
PH-17056 (3/4" Chrome plated steel)	PH-8	"One-Way" Machine Screw	10	1
PH-17057 (1-3/8" Chrome plated steel)	PH-8	"One-Way" Machine Screw	10	1
PH-17058 (No. 8 x 3/4")	PH-8	"One-Way" Sheet Metal Screw	10	1
PH-17059 (No. 10 x 3/4")	PH-8	"One-Way" Sheet Metal Screw	10	1
PH-17061	PH-8	"One-Way" Screw Removal Tool	1	1
PH-17062	PH-6	Concealed Lock	1	1
PH-17063 (White)	PH-9	Door Bumper	2	1
PH-17064 (Gray)	PH-9	Door Bumper	2	1
PH-17107 (White)	PH-9	Wall Protector (5" hexagon)	1	1
PH-17108 (Clear)	PH-9	Door Bumper	2	1
PH-17109 (3-1/4" Diameter)	PH-9	Wall Protector (Ivory)	1	1
PH-17110 (5" Diameter)	PH-9	Wall Protector (Ivory)	1	1

PH-17015
PH-17016



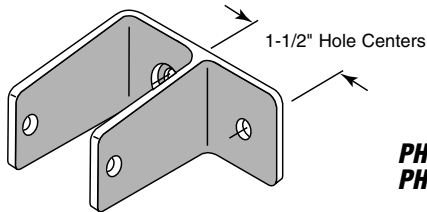
PH-17015 (For 1" panels)
PH-17016 (For 1-1/4" panels)

Two-Ear Wall Bracket

Contents: 1 bracket.

Description: Chrome plated, diecast bracket for attaching partition panel to wall.

You may wish to stock these related parts: **PH-17009, PH-17039, PH-17061, PH-17064.**



PH-17017
PH-17018

PH-17017 (For 1" panels)
PH-17018 (For 1-1/4" panels)

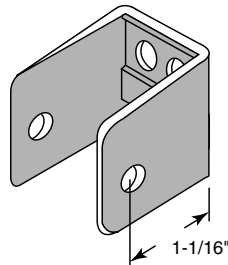
One-Ear Wall Bracket

Contents: 1 bracket.

Description: Chrome plated, diecast bracket for attaching partition panel to wall.

You may wish to stock these related parts: **PH-17008, PH-17038, PH-17061, PH-17063.**

PH-17019
PH-17020



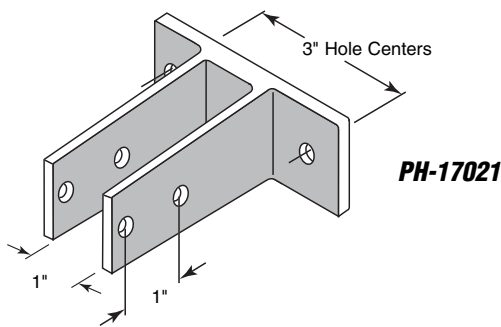
PH-17019 (For 1" panels)
PH-17020 (For 1-1/4" panels)

"U" Bracket

Contents: 1 bracket.

Description: Chrome plated, diecast bracket for attaching partition panel to wall.

You may wish to stock these related parts: **PH-17015, PH-17040, PH-17059, PH-17061.**



PH-17021

PH-17021 (For 1" panels)

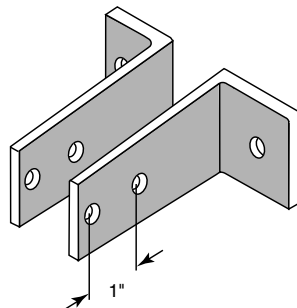
Urinal Screen Wall Bracket

Contents: 1 bracket.

Description: Chrome plated, diecast bracket for attaching urinal screen partition panels to wall.

You may wish to stock these related parts: **PH-17015, PH-17040, PH-17059, PH-17061.**

PH-17022



PH-17022 (All size panels)

Urinal Screen Wall Bracket

Contents: 1 bracket.

Description: Chrome plated, diecast bracket for attaching urinal screen partition panels to wall.

You may wish to stock these related parts: **PH-17015, PH-17040, PH-17059, PH-17061.**

Restroom Partition Hardware

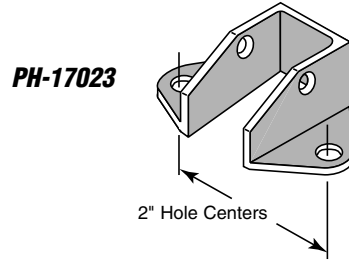
PH-17023 (For 1" panels)

Headrail Bracket

Contents: 1 headrail bracket.

Description: Chrome plated, diecast bracket for attaching headrail support to wall.

You may wish to stock these related parts: **PH-17016, PH-17029, PH-17057, PH-17061.**



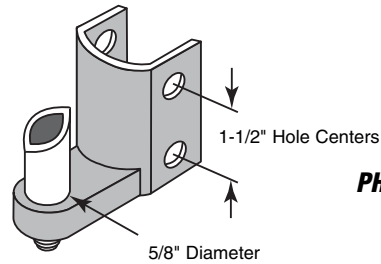
PH-17024

Bottom Hinge Bracket

Contents: 1 hinge bracket.

Description: Chrome plated, diecast bottom hinge bracket for bottom of door; use with steel panels; fits 1-1/4" pilaster.

You may wish to stock these related parts: **PH-17013, PH-17044, PH-17057, PH-17061.**



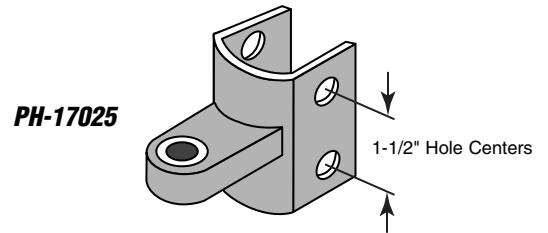
PH-17025

Top Hinge Bracket

Contents: 1 hinge bracket.

Description: Chrome plated, diecast top hinge bracket for top of door; use with steel panels; fits 1-1/4" pilaster.

You may wish to stock these related parts: **PH-17014, PH-17037, PH-17055, PH-17061.**



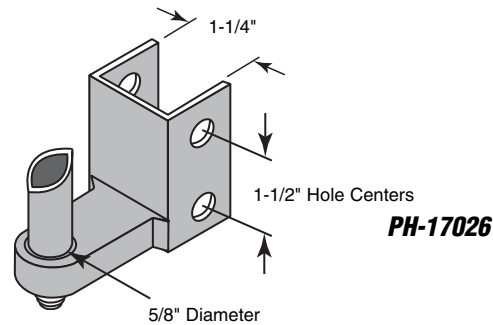
PH-17026

Bottom Hinge Bracket

Contents: 1 hinge bracket.

Description: Chrome plated, diecast bottom hinge bracket for bottom of door; use with plastic laminate or marble panels; fits 1-1/4" pilaster.

You may wish to stock these related parts: **PH-17017, PH-17031, PH-17055, PH-17061.**



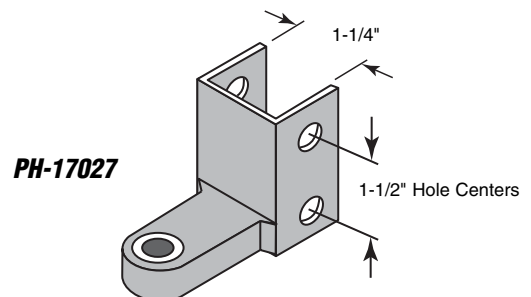
PH-17027

Top Hinge Bracket

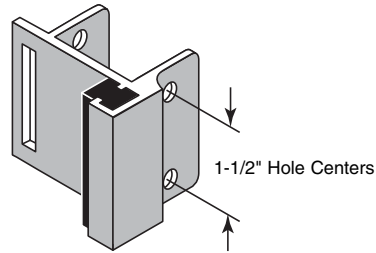
Contents: 1 hinge bracket.

Description: Chrome plated, diecast top hinge bracket for top of door; use with plastic laminate or marble panels; fits 1-1/4" pilaster.

You may wish to stock these related parts: **PH-17015, PH-17040, PH-17059, PH-17061.**



PH-17008



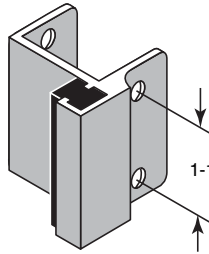
PH-17008 (For 1-1/4" pilaster)

Strike/Keeper

Contents: 1 strike/keeper.

Description: Chrome plated, diecast keeper; surface slide latch for supporting and latching of **inswing** doors; use with plastic laminate or marble panels.

You may wish to stock these related parts: **PH-17010, PH-17039, PH-17061, PH-17064.**



PH-17009

PH-17009 (For 1-1/4" pilaster)

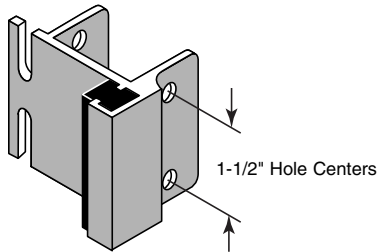
Strike/Keeper

Contents: 1 strike/keeper.

Description: Chrome plated, diecast keeper; surface slide latch for supporting and latching of **outswing** doors; use with plastic laminate or marble panels.

You may wish to stock these related parts: **PH-17016, PH-17042, PH-17057, PH-17061.**

PH-17028



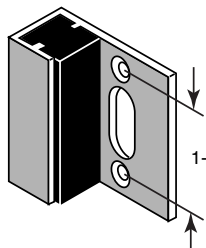
PH-17028 (For 1-1/4" pilaster)

Strike/Keeper

Contents: 1 strike/keeper.

Description: Chrome plated, diecast keeper; use with plastic laminate or marble panels; for throw latch on **outswing** door.

You may wish to stock these related parts: **PH-17016, PH-17042, PH-17057, PH-17061.**



PH-17029

PH-17029

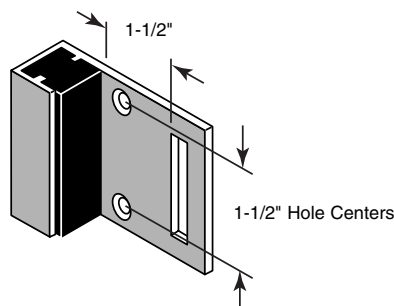
Flat Strike

Contents: 1 flat strike.

Description: Chrome plated, diecast keeper; use with plastic laminate or marble panels; fits any size pilaster; for concealed latch on **inswing** door.

You may wish to stock these related parts: **PH-17014, PH-17037, PH-17055, PH-17061.**

PH-17030



PH-17030

Flat Strike

Contents: 1 flat strike.

Description: Chrome plated, diecast keeper; use with plastic laminate or marble panels; fits any size pilaster; for slide latch on **inswing** door.

You may wish to stock these related parts: **PH-17017, PH-17031, PH-17055, PH-17061.**

Restroom Partition Hardware

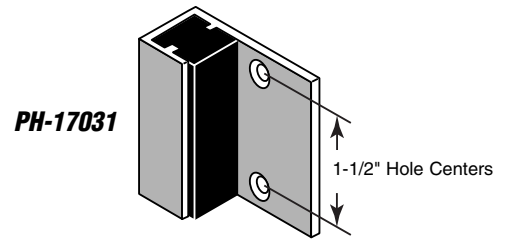
PH-17031

Flat Strike

Contents: 1 flat strike.

Description: Chrome plated, diecast strike; use with plastic laminate or marble panels; fits any size pilaster; for slide latch on outswing door.

You may wish to stock these related parts: PH-17015, PH-17040, PH-17059, PH-17061.



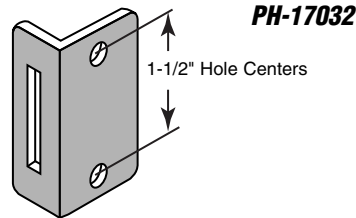
PH-17032

Keeper

Contents: 1 keeper.

Description: Chrome plated, diecast keeper for slide latch; fits any size pilaster.

You may wish to stock these related parts: PH-17014, PH-17037, PH-17055, PH-17061.



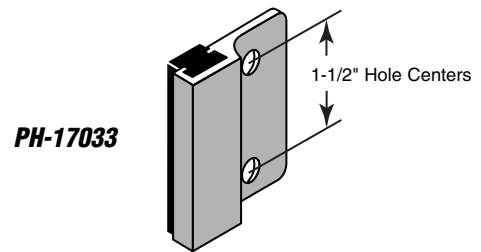
PH-17033

Strike

Contents: 1 strike.

Description: Chrome plated, diecast strike for slide latch or throw latch; fits any size pilaster.

You may wish to stock these related parts: PH-17009, PH-17036, PH-17048, PH-17061.



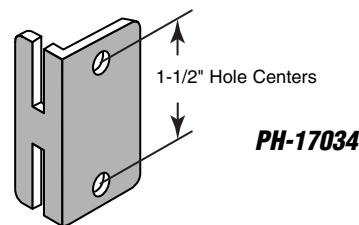
PH-17034

Keeper

Contents: 1 keeper.

Description: Chrome plated, diecast keeper for throw latch; fits any size pilaster.

You may wish to stock these related parts: PH-17044, PH-17046, PH-17061, PH-17063.



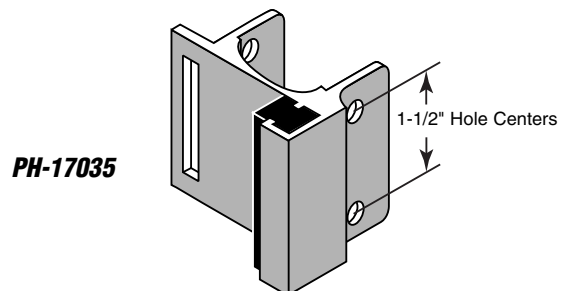
PH-17035 (For 1-1/4" pilaster)

Strike/Keeper

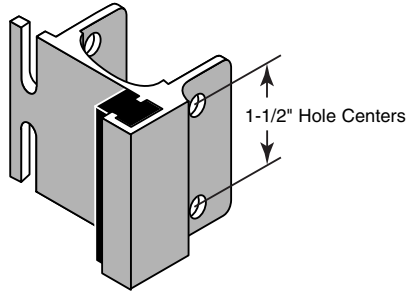
Contents: 1 strike/keeper.

Description: Chrome plated, diecast keeper; use with steel panels; for slide latch on inswing door.

You may wish to stock these related parts: PH-17039, PH-17040, PH-17048, PH-17061.



PH-17036



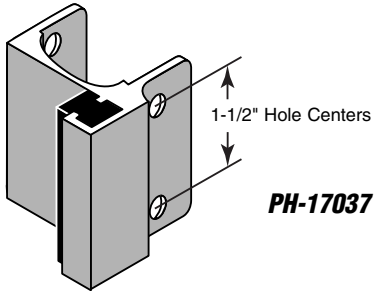
PH-17036 (For 1-1/4" pilaster)

Strike/Keeper

Contents: 1 strike/keeper.

Description: Chrome plated, diecast strike/keeper; use with steel panels; for throw latch on **inswing** door.

You may wish to stock these related parts: **PH-17044**, **PH-17048**, **PH-17061**, **PH-17064**.



PH-17037 (For 1-1/4" pilaster)

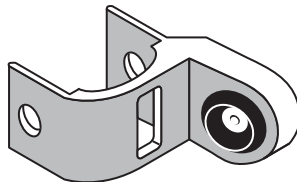
Strike/Keeper

Contents: 1 strike/keeper.

Description: Chrome plated, diecast strike/keeper; use with steel panels; for throw latch on **outswing** door.

You may wish to stock these related parts: **PH-17039**, **PH-17040**, **PH-17046**, **PH-17061**.

PH-17038



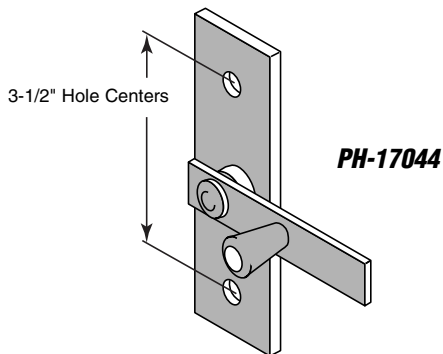
PH-17038 (For 1-1/4" pilaster)

Strike/Keeper

Contents: 1 strike/keeper.

Description: Chrome plated, diecast strike/keeper; use with steel panels; for round bar concealed latch.

You may wish to stock these related parts: **PH-17041**, **PH-17042**, **PH-17043**, **PH-17061**.



PH-17044

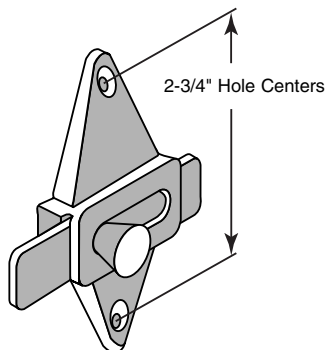
Throw Latch

Contents: 1 slide latch.

Description: Chrome plated, brass throw latch; use with any door thickness.

You may wish to stock these related parts: **PH-17028**, **PH-17034**, **PH-17036**, **PH-17061**.

PH-17039



PH-17039

Slide Latch

Contents: 1 slide latch.

Description: Chrome plated, diecast slide latch; use with any door thickness.

You may wish to stock these related parts: **PH-17030**, **PH-17032**, **PH-17035**, **PH-17061**.

Restroom Partition Hardware

PH-17040

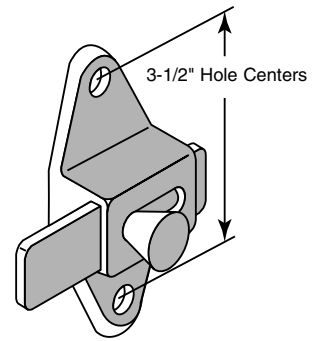
Slide Latch

Contents: 1 slide latch.

Description: Chrome plated, diecast slide latch; use with any thickness door.

You may wish to stock these related parts: PH-17030, PH-17032, PH-17035, PH-17061.

PH-17040



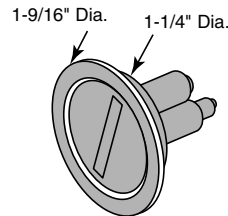
PH-17041

Emergency Entry Knob

Contents: 1 emergency entry knob.

Description: Chrome plated, diecast entry knob; use with PH-17045 concealed door lock.

You may wish to stock these related parts: PH-17042, PH-17045.



PH-17041

PH-17042

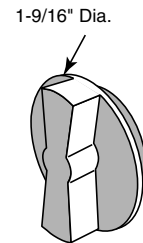
Interior Locking Knob

Contents: 1 interior locking knob.

Description: Chrome plated, diecast locking knob; use with PH-17045 concealed door lock.

You may wish to stock these related parts: PH-17042, PH-17045.

PH-17042



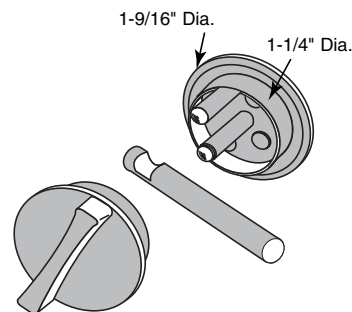
PH-17043

Concealed Lock

Contents: 1 concealed lock.

Description: Chrome plated, diecast concealed lock with straight bar; use with 1" thick laminate doors.

You may wish to stock these related parts: PH-17029, PH-17038, PH-17046, PH-17061.



PH-17043

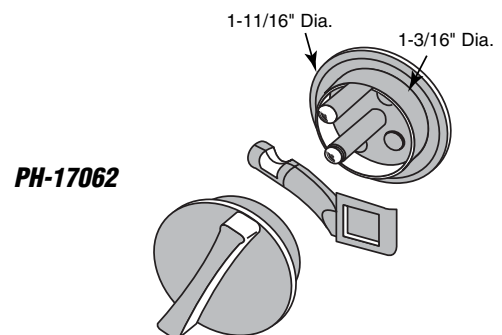
PH-17062

Concealed Lock

Contents: 1 concealed lock.

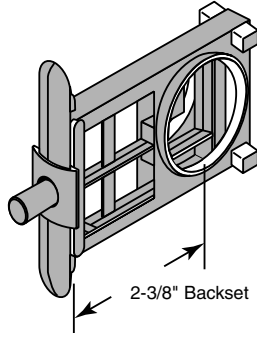
Description: Chrome plated, diecast concealed lock with flat bar; use with 1" thick steel doors.

You may wish to stock these related parts: PH-17039, PH-17040, PH-17043, PH-17044.



PH-17062

PH-17045



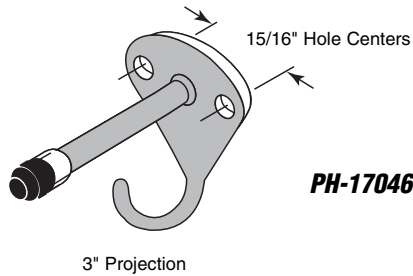
PH-17045

Concealed Door Lock

Contents: 1 concealed door lock.

Description: Zamak diecasting; for use on 1" thick doors; may be used with PH-17041 and PH-17042.

You may wish to stock these related parts: PH-17041, PH-17042.



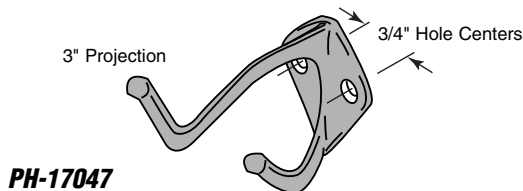
PH-17046

Bumper Hook

Contents: 1 bumper hook.

Description: Chrome plated, diecast bumper hook; rubber tipped; for general purpose use.

You may wish to stock these related parts: PH-17039, PH-17040, PH-17044, PH-17061.



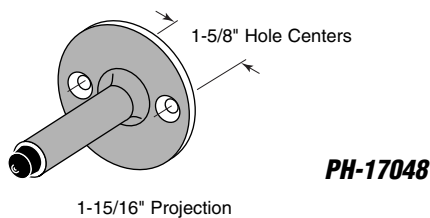
PH-17047

Coat Hook

Contents: 1 coat hook.

Description: Chrome plated, diecast coat hook; two prongs; for general purpose use.

You may wish to stock these related parts: PH-17039, PH-17040, PH-17044, PH-17061.



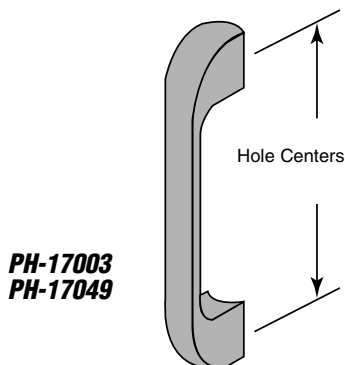
PH-17048

Door Stop

Contents: 1 door stop.

Description: Chrome plated, diecast door stop; rubber tipped; for general purpose use.

You may wish to stock these related parts: PH-17039, PH-17040, PH-17044, PH-17061.



PH-17003 (3-1/2" hole centers)

PH-17049 (3-1/2" and 4" hole centers)

Door Pull

Contents: 1 door pull.

Description: Chrome plated, diecast door pull; 4-#10-24 tapped holes; for general purpose use.

You may wish to stock these related parts: PH-17039, PH-17040, PH-17044, PH-17061.

Restroom Partition Hardware

PH-17050 (1/2" Chrome plated brass)

PH-17051 (5/8" Chrome plated steel)

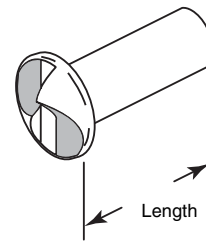
PH-17052 (5/8" Chrome plated brass)

"One-Way" Barrel Nut

Contents: 10 barrel nuts.

Description: Chrome plated, brass and steel barrel nuts; #10-24 threads; use with shoulder bolts for various part assemblies.

**PH-17050
PH-17051
PH-17052**



PH-17053 (1/2" Chrome plated brass)

PH-17054 (15/16" Chrome plated brass)

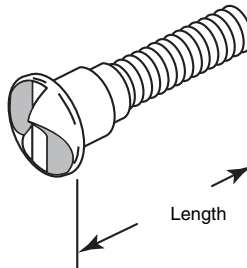
PH-17055 (1-3/16" Chrome plated steel)

"One-Way" Shoulder Screw

Contents: 10 shoulder screws.

Description: Chrome plated, brass and steel shoulder screws; #10-24 threads; use with barrel nuts for various part assemblies.

**PH-17053
PH-17054
PH-17055**



PH-17056 (3/4" Chrome plated steel)

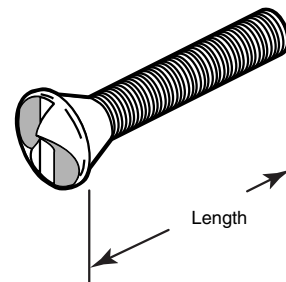
PH-17057 (1-3/8" Chrome plated steel)

"One-Way" Machine Screw

Contents: 10 machine screws.

Description: Chrome plated, steel machine screws; #8-32 threads; use on general purpose applications.

**PH-17056
PH-17057**



PH-17058 (No. 8 x 3/4")

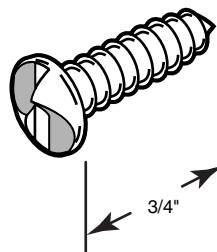
PH-17059 (No. 10 x 3/4")

"One-Way" Sheet Metal Screw

Contents: 10 sheet metal screws.

Description: Chrome plated, steel metal screws; for use on various part assemblies as well as general purpose applications.

**PH-17058
PH-17059**



PH-17061

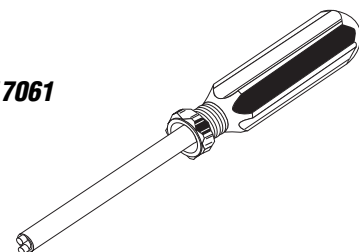
"One-Way" Screw Removal Tool

Contents: 1 tool.

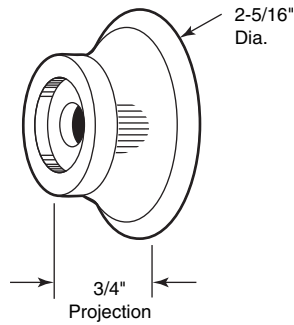
Description: Specially designed to remove "one-way" fasteners, either #8 or #10 sizes.

You may wish to stock these related parts: **PH-17050, PH-17051, PH-17052, PH-17053, PH-17054, PH-17055, PH-17056, PH-17057, PH-17058, PH-17059, PH-17060, PH-17061.**

PH-17061



PH-17108



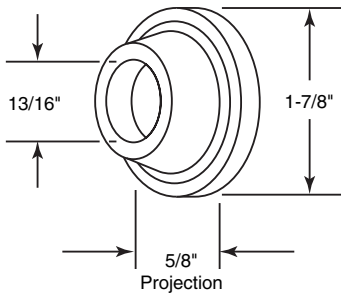
PH-17108 (Clear)

Door Bumper

Contents: 2 door stops; 2 no. 6 x 1-1/4" Phillips pan head sheet metal screws; 2 no. 6 x 1" plastic anchors.

Description: Clear soft vinyl; protects against marred walls; absorbs impact of door knob at contact point with wall; easily detached from wall by removing screw. Clear plastic construction is unassuming and allows paint colors or wall paper design to show through.

You may wish to stock these related parts: **PH-17039, PH-17040, PH-17044, PH-17061.**



PH-17063
PH-17064

PH-17063 (White)

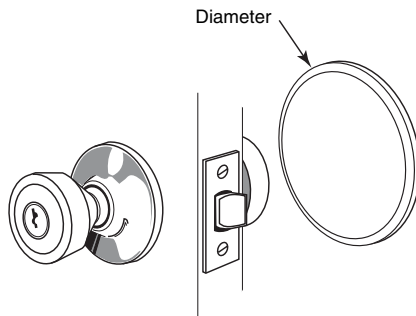
PH-17064 (Gray)

Door Bumper

Contents: 2 bumpers.

Description: Solid rubber; concave center; self-adhering; absorbs impact of door knob at contact point with wall.

You may wish to stock these related parts: **PH-17039, PH-17040, PH-17044, PH-17061.**



PH-17109
PH-17110

PH-17109 (3-1/4" Diameter)

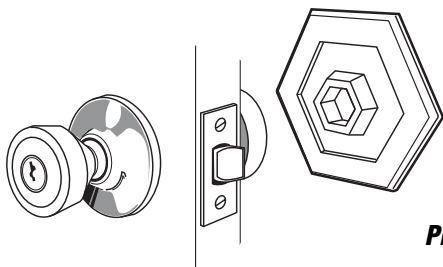
PH-17110 (5" Diameter)

Wall Protector (Ivory)

Contents: 1 protector.

Description: Rigid vinyl; self adhesive; protects interior walls from impact damage by shielding contact point of wall and door knob; repairs damaged walls.

You may wish to stock these related parts: **PH-17039, PH-17040, PH-17044, PH-17061.**



PH-17107

PH-17107 (White)

Wall Protector (5" hexagon)

Contents: 1 shield

Description: Flexible vinyl; self-adhesive; paintable; protects interior walls from impact damage by shielding contact point of wall and door knob; repairs damaged walls.

You may wish to stock these related parts: **PH-17039, PH-17040, PH-17044, PH-17061.**

MASTER INDEX

Part#	Page#	Part#	Page#	Part#	Page#	Part#	Page#	Part#	Page#
A-100	A-7	A-177	A-2	B-505	B-4	B-577	B-2	B-647	B-7
A-101	A-7	A-178	A-5	B-506	B-4	B-578	B-2	B-649	B-2
A-102	A-7	A-179	A-5	B-507	B-4	B-579	B-10	B-650	B-13
A-103	A-6	A-180	A-2	B-508	B-4	B-580	B-2	B-651	B-13
A-104	A-6	A-181	A-6	B-509	B-4	B-581	B-2	B-652	B-10
A-105	A-6	A-182	A-7	B-510	B-4	B-582	B-7	B-653	B-2
A-106	A-10	A-183	A-10	B-511	B-2	B-583	B-2	B-654	B-2
A-107	A-7	A-184	A-6	B-512	B-3	B-584	B-2	B-655	B-2
A-108	A-3	A-185	A-7	B-513	B-3	B-585	B-2	B-656	B-7
A-109	A-3	A-186	A-2	B-514	B-6	B-586	B-2	B-657	B-13
A-110	A-7	A-187	A-1	B-515	B-5	B-587	B-2	B-658	B-18
A-111	A-10	A-188	A-8	B-516	B-2	B-588	B-2	B-659	B-2
A-112	A-10	A-189	A-4	B-517	B-5	B-589	B-2	B-660	B-18
A-113	A-6	A-190	A-7	B-518	B-5	B-590	B-2	B-661	B-1
A-114	A-10	A-191	A-10	B-519	B-2	B-591	B-2	B-662	B-1
A-115	A-10	A-192	A-3	B-520	B-2	B-593	B-4	B-663	B-2
A-116	A-11	A-194	A-4	B-521	B-1	B-594	B-4	B-664	B-6
A-117	A-10	A-196	A-6	B-522	B-1	B-595	B-2	B-665	B-6
A-118	A-6	A-197	A-6	B-523	B-1	B-596	B-2	B-666	B-1
A-119	A-8	A-199	A-6	B-524	B-1	B-597	B-2	B-668	B-2
A-120	A-4	A-201	A-2	B-525	B-1	B-598	B-2	B-669	B-9
A-121	A-8	A-202	A-5	B-526	B-1	B-599	B-2	B-678	B-4
A-122	A-7	A-203	A-12	B-527	B-2	B-601	B-2	B-679	B-6
A-123	A-8	A-205	A-1	B-528	B-2	B-602	B-2	B-681	B-2
A-124	A-8	A-206	A-1	B-529	B-9	B-603	B-2	B-682	B-7
A-125	A-11	A-207	A-9	B-530	B-8	B-604	B-13	B-683	B-7
A-126	A-12	A-208	A-9	B-531	B-2	B-605	B-9	B-684	B-2
A-127	A-12	A-209	A-9	B-532	B-2	B-606	B-2	B-685	B-1
A-128	A-12	A-210	A-9	B-533	B-2	B-607	B-13	B-686	B-2
A-130	A-8	A-211	A-9	B-534	B-2	B-608	B-5	B-687	B-3
A-132	A-9	A-212	A-2	B-535	B-12	B-609	B-2	B-688	B-3
A-133	A-8	A-213	A-13	B-536	B-12	B-610	B-5	B-689	B-5
A-134	A-8	A-215	A-3	B-537	B-2	B-611	B-2	B-690	B-5
A-135	A-8	A-216	A-9	B-538	B-2	B-612	B-10	B-691	B-9
A-136	A-8	A-217	A-11	B-539	B-2	B-613	B-18	B-692	B-2
A-137	A-8	A-218	A-2	B-540	B-2	B-614	B-18	B-693	B-1
A-139	A-1	A-219	A-2	B-541	B-5	B-615	B-18	B-694	B-2
A-140	A-7	A-220	A-3	B-542	B-2	B-616	B-18	B-695	B-9
A-141	A-11	A-222	A-5	B-543	B-2	B-617	B-8	B-696	B-10
A-142	A-1	A-223	A-5	B-544	B-2	B-618	B-2	B-697	B-14
A-145	A-1	A-224	A-1	B-545	B-2	B-619	B-2	B-698	B-4
A-146	A-4	A-225	A-5	B-546	B-2	B-620	B-2	B-699	B-4
A-147	A-1	A-226	A-5	B-547	B-2	B-621	B-18	B-700	B-4
A-148	A-12	A-227	A-5	B-548	B-2	B-622	B-3 pair	B-701	B-6
A-149	A-11	A-228	A-1	B-549	B-14	B-623	B-4	B-702	B-6
A-150	A-2	A-229	A-6	B-550	B-14	B-624	B-9	B-703	B-2
A-151	A-3	A-230	A-9	B-551	B-2	B-625	B-2	B-704	B-2
A-152	A-6	A-231	A-9	B-552	B-2	B-626	B-2	B-705	B-18
A-153	A-10	A-232	A-9	B-553	B-2	B-627	B-2	B-706	B-14
A-155	A-6	A-233	A-9	B-554	B-2	B-628	B-2	B-707	B-2
A-156	A-3	A-234	A-9	B-555	B-2	B-629	B-2	B-708	B-18
A-157	A-4	A-235	A-12	B-556	B-2	B-630	B-4	B-709	B-1
A-158	A-4	A-236	A-11	B-557	B-2	B-631	B-9	B-710	B-1
A-159	A-12	A-237	A-2	B-558	B-2	B-632	B-2	B-711	B-1
A-160	A-5	A-238	A-3	B-559	B-2	B-633	B-4	B-712	B-1
A-161	A-13	A-243	A-1	B-560	B-2	B-634	B-5	B-713	B-2
A-163	A-11	A-246	A-12	B-561	B-18	B-635	B-1	B-714	B-5
A-164	A-7	A-247	A-13	B-562	B-4	B-636	B-6	B-715	B-2
A-165	A-4	A-248	A-6	B-563	B-4	B-637	B-2	B-716	B-18
A-166	A-12	A-249	A-3	B-564	B-4	B-638	B-3	B-717	B-2
A-167	A-5	A-253	A-2	B-569	B-2	B-639	B-3	B-718	B-8
A-168	A-2	A-254	A-2	B-570	B-3	B-640	B-3	B-719	B-9
A-169	A-11	A-255	A-3	B-571	B-3	B-641	B-1	B-720	B-6
A-170	A-4	B-500	B-4	B-572	B-4	B-642	B-2	B-721	B-7
A-171	A-13	B-501	B-4	B-573	B-4	B-643	B-3	B-722	B-7
A-172	A-4	B-502	B-4	B-574	B-4	B-644	B-3	B-723	B-2
A-174	A-12	B-503	B-4	B-575	B-9	B-645	B-7	B-724	B-13
A-175	A-7	B-504	B-4	B-576	B-2	B-646	B-9	B-725	B-13

MASTER INDEX

Part#	Page#	Part#	Page#	Part#	Page#	Part#	Page#	Part#	Page#
B-726	B-13	C-1006	C-15	C-1081	C-17	C-1163	C-15	C-1252	C-12
B-727	B-13	C-1007	C-12	C-1082	C-17	C-1164	C-10	C-1253	C-12
B-728	B-1	C-1008	C-19	C-1083	C-17	C-1165	C-1	C-1254	C-18
B-729	B-1	C-1009	C-19	C-1084	C-13	C-1166	C-5	C-1255	C-12
B-730	B-2	C-1010	C-18	C-1085	C-4	C-1167	C-1	C-1258	C-5
B-733	B-7	C-1011	C-18	C-1086	C-3	C-1171	C-3	C-1259	C-5
B-734	B-7	C-1012	C-18	C-1087	C-19	C-1172	C-3	C-1260	C-6
B-735	B-7	C-1013	C-18	C-1088	C-5	C-1173	C-9	C-1261	C-9
B-736	B-2	C-1014	C-14	C-1089	C-3	C-1174	C-7	C-1262	C-2
B-737	B-9	C-1015	C-14	C-1090	C-3	C-1176	C-7	C-1263	C-14
B-738	B-3	C-1016	C-13	C-1091	C-9	C-1177	C-7	C-1264	C-1
B-739	B-3	C-1017	C-13	C-1092	C-16	C-1178	C-8	C-1267	C-7
B-740	B-6	C-1018	C-5	C-1093	C-13	C-1179	C-8	C-1268	C-1
B-741	B-6	C-1019	C-9	C-1094	C-11	C-1182	C-4	C-1269	C-1
B-742	B-6	C-1020	C-13	C-1095	C-5	C-1183	C-4	C-1275	C-10
B-743	B-2	C-1021	C-13	C-1096	C-18	C-1184	C-10	C-1277	C-10
B-744	B-2	C-1022	C-16	C-1097	C-17	C-1185	C-12	C-1278	C-9
B-745	B-2	C-1023	C-13	C-1098	C-3	C-1186	C-6	C-1279	C-9
B-746	B-3	C-1024	C-13	C-1099	C-3	C-1187	C-13	C-1280	C-8
B-747	B-3	C-1025	C-6	C-1101	C-2	C-1189	C-4	C-1281	C-8
B-748	B-13	C-1026	C-10	C-1105	C-12	C-1190	C-4	C-1282	C-8
B-749	B-13	C-1027	C-15	C-1106	C-15	C-1191	C-12	C-1283	C-8
B-750	B-2	C-1028	C-11	C-1107	C-5	C-1192	C-4	C-1284	C-8
B-751	B-2	C-1029	C-11	C-1108	C-3	C-1193	C-4	C-1285	C-8
B-752	B-2	C-1030	C-3	C-1110	C-4	C-1194	C-5	C-1286	C-8
B-753	B-2	C-1031	C-3	C-1111	C-9	C-1195	C-5	C-1287	C-8
B-754	B-2	C-1032	C-1	C-1112	C-9	C-1196	C-4	C-1288	C-8
B-755	B-9	C-1033	C-2	C-1113	C-18	C-1197	C-1	C-1289	C-8
B-756	B-2	C-1034	C-4	C-1114	C-18	C-1198	C-12	C-1290	C-10
B-757	B-19	C-1035	C-11	C-1116	C-15	C-1200	C-5	C-1291	C-10
B-758	B-10	C-1036	C-11	C-1117	C-15	C-1201	C-16	C-1292	C-10
B-759	B-10	C-1037	C-11	C-1118	C-12	C-1202	C-16	C-1297	C-10
B-760	B-10	C-1038	C-4	C-1119	C-12	C-1203	C-12	C-1298	C-9
B-770	B-3	C-1039	C-11	C-1120	C-18	C-1204	C-7	C-1299	C-9
B-771	B-19	C-1040	C-10	C-1121	C-18	C-1205	C-10	C-1300	C-13
B-772	B-2	C-1042	C-10	C-1122	C-17	C-1206	C-16	C-1301	C-4
B-773	B-1	C-1043	C-2	C-1123	C-3	C-1207	C-19	C-1302	C-17
B-774	B-18	C-1044	C-6	C-1124	C-2	C-1208	C-7	C-1303	C-9
B-775	B-2	C-1045	C-2	C-1125	C-12	C-1209	C-17	C-1304	C-17
B-777	B-2	C-1046	C-14	C-1126	C-15	C-1210	C-9	C-1305	C-7
B-778	B-2	C-1047	C-5	C-1127	C-7	C-1213	C-15	C-1306	C-7
B-779	B-2	C-1048	C-13	C-1128	C-9	C-1214	C-15	C-1307	C-8
B-780	B-4	C-1049	C-18	C-1129	C-2	C-1215	C-2	C-1308	C-8
B-781	B-6	C-1050	C-3	C-1130	C-1	C-1216	C-13	C-1309	C-3
B-782	B-6	C-1052	C-14	C-1131	C-7	C-1217	C-19	C-1310	C-17
B-783	B-2	C-1053	C-6	C-1132	C-5	C-1218	C-12	C-1311	C-17
B-784	B-19	C-1055	C-16	C-1134	C-3	C-1219	C-9	C-1312	C-17
B-785	B-2	C-1058	C-9	C-1135	C-2	C-1220	C-4	C-1313	C-7
B-786	B-2	C-1059	C-14	C-1136	C-17	C-1221	C-14	C-1314	C-7
B-787	B-19	C-1060	C-12	C-1137	C-17	C-1222	C-15	C-1315	C-7
B-788	B-2	C-1061	C-12	C-1138	C-17	C-1223	C-15	C-1316	C-7
B-789	B-2	C-1062	C-19	C-1139	C-18	C-1224	C-7	C-1317	C-8
B-791	B-19	C-1063	C-19	C-1140	C-17	C-1225	C-7	C-1318	C-8
B-792	B-2	C-1064	C-5	C-1141	C-18	C-1226	C-2	C-1319	C-8
B-793	B-10	C-1065	C-14	C-1142	C-11	C-1238	C-16	C-1320	C-8
B-794	B-10	C-1066	C-14	C-1143	C-11	C-1239	C-6	C-1322	C-1
B-800	B-19	C-1067	C-4	C-1146	C-3	C-1240	C-3	C-1323	C-15
B-801	B-18	C-1068	C-4	C-1148	C-1	C-1241	C-5	C-1324	C-4
B-802	B-18	C-1069	C-4	C-1149	C-1	C-1242	C-5	C-1325	C-2
B-803	B-2	C-1070	C-12	C-1150	C-18	C-1243	C-16	CCBP-7503	PL-4
B-808	B-1	C-1071	C-12	C-1155	C-10	C-1244	C-16	CCBP-7505	PL-4
B-812	B-9	C-1072	C-16	C-1156	C-11	C-1245	C-16	CCBP-7156	R2-2
C-1000	C-12	C-1073	C-16	C-1157	C-18	C-1246	C-16	CCBP-7157	R2-3
C-1001	C-11	C-1074	C-3	C-1158	C-18	C-1247	C-16	CCBP-7158	R2-3
C-1002	C-11	C-1075	C-2	C-1159	C-1	C-1248	C-15	CCBP-7159	R2-3
C-1003	C-12	C-1076	C-2	C-1160	C-2	C-1249	C-15	CCBP-7160	R2-5
C-1004	C-12	C-1077	C-15	C-1161	C-4	C-1250	C-15	CCBP-7161	R2-4
C-1005	C-15	C-1078	C-15	C-1162	C-15	C-1251	C-15	CCBP-7162	R2-4

MASTER INDEX

Part#	Page#	Part#	Page#	Part#	Page#	Part#	Page#	Part#	Page#
CGBP-7163.....	R2-7	CCEP-9945KA.....	DS-33	D-1539.....	16	D-1609.....	29	D-1724.....	11
CGBP-7168.....	R2-4	CCEP-9946KA.....	DS-33	D-1540.....	21	D-1610.....	28	D-1725.....	1
CGBP-7169.....	R2-7	CCEP-16042.....	U-14	D-1541.....	10	D-1611.....	16	D-1726.....	16
CGBP-7195.....	R2-6	CCEP-16044.....	U-14	D-1542.....	10	D-1613.....	14	D-1727.....	10
CCBP-7216.....	R2-9	CCEP-16046.....	U-14	D-1543.....	18	D-1614.....	14	D-1728.....	14
CCEP-3546.....	H-16	CCEP-16051.....	U-14	D-1545.....	17	D-1615.....	11	D-1729.....	21
CCEP-3547.....	H-16	CCEP-16053.....	U-14	D-1546.....	17	D-1616.....	28	D-1730.....	4
CCEP-3548.....	H-16	CCR-7125.....	R2-1	D-1547.....	10	D-1617.....	30	D-1731.....	16
CCEP-3549.....	H-16	CCR-7144.....	R2-1	D-1548.....	10	D-1618.....	12	D-1732.....	27
CCEP-3550.....	H-16	CCSC-7155.....	R2-10	D-1549.....	6	D-1619.....	12	D-1733.....	15
CCEP-3551.....	H-16	CCSC-7156.....	R2-2	D-1549-SS.....	6	D-1620.....	13	D-1734.....	13
CCEP-3557.....	H-17	CCSC-7157.....	R2-3	D-1550.....	14	D-1621.....	13	D-1735.....	5
CCEP-3818.....	H-16	CCSC-7158.....	R2-3	D-1551.....	8	D-1629.....	32	D-1736.....	5
CCEP-4002.....	S-8	CCSC-7159.....	R2-3	D-1551-SS.....	8	D-1635.....	32	D-1737.....	16
CCEP-4003.....	S-8	CCSC-7160.....	R2-5	D-1552.....	8	D-1637.....	30	D-1738.....	9
CCEP-4011.....	S-10	CCSC-7161.....	R2-4	D-1552-SS.....	8	D-1638.....	1	D-1739.....	5
CCEP-4016.....	S-12	CCSC-7162.....	R2-4	D-1553.....	9	D-1639.....	1	D-1740.....	21
CCEP-4020.....	S-16	CCSC-7163.....	R2-7	D-1554.....	12	D-1640.....	13	D-1743.....	34
CCEP-4089.....	S-17	CCSC-7167.....	R2-10	D-1555.....	14	D-1641.....	3	D-1744.....	33
CCEP-4090.....	S-17	CCSC-7168.....	R2-4	D-1556.....	18	D-1642.....	3	D-1745.....	34
CCEP-4148.....	S-10	CCSC-7169.....	R2-7	D-1557.....	16	D-1643.....	10	D-1746.....	33
CCEP-4208.....	S-18	CCSC-7170.....	R2-4	D-1558.....	20	D-1654.....	34	D-1747.....	12
CCEP-4209.....	S-18	CCSC-7192.....	R2-3	D-1559.....	23	D-1655.....	33	D-1748.....	12
CCEP-4227.....	S-17	CCSC-7195.....	R2-6	D-1560.....	13	D-1659.....	34	D-1749.....	16
CCEP-4228.....	S-17	CCSC-7216.....	R2-9	D-1561.....	26	D-1660.....	33	D-1750.....	10
CCEP-4234.....	S-17	CCSC-9003.....	U-7	D-1562.....	26	D-1664.....	34	D-1751.....	26
CCEP-4235.....	S-17	D-1500.....	1	D-1563.....	11	D-1665.....	33	D-1752.....	18
CCEP-4271.....	S-19	D-1501.....	1	D-1563-SS.....	11	D-1669.....	34	D-1752-SS.....	18
CCEP-4272.....	S-19	D-1502.....	1	D-1564.....	29	D-1670.....	33	D-1753.....	21
CCEP-4273.....	S-19	D-1503.....	1	D-1565.....	30	D-1674.....	34	D-1754.....	5
CCEP-4290.....	S-18	D-1504.....	2	D-1566.....	3	D-1675.....	33	D-1754-SS.....	5
CCEP-4348.....	DS-14	D-1505.....	3	D-1567.....	3	D-1679.....	34	D-1755.....	23
CCEP-4354.....	S-8	D-1506.....	2	D-1568.....	31	D-1680.....	33	D-1756.....	22
CCEP-4411.....	S-17	D-1507.....	2	D-1569.....	31	D-1683.....	17	D-1756.....	17
CCEP-4412.....	S-17	D-1508.....	19	D-1570.....	32	D-1684.....	32	D-1757.....	23
CCEP-4457.....	DS-14	D-1509.....	19	D-1571.....	33	D-1685.....	17	D-1758.....	22
CCEP-5529.....	L-9	D-1510.....	19	D-1577.....	32	D-1686.....	20	D-1759.....	26
CCEP-5552.....	L-9	D-1511.....	19	D-1578.....	20	D-1687.....	18	D-1760.....	3
CCEP-6560.....	N-30	D-1512.....	17	D-1579.....	33	D-1688.....	25	D-1761.....	27
CCEP-6563.....	N-31	D-1513.....	19	D-1580.....	33	D-1689.....	10	D-1762.....	24
CCEP-6564.....	N-31	D-1514.....	22	D-1581.....	33	D-1690.....	21	D-1763.....	26
CCEP-6568.....	N-21	D-1515.....	19	D-1582.....	33	D-1691.....	21	D-1764.....	29
CCEP-6698.....	N-20	D-1516.....	17	D-1583.....	33	D-1692.....	2	D-1765.....	1
CCEP-6699.....	N-21	D-1517.....	20	D-1584.....	15	D-1693.....	2	D-1766.....	1
CCEP-6794.....	N-21	D-1518.....	16	D-1585.....	17	D-1694.....	2	D-1767.....	27
CCEP-7020.....	U-13	D-1518-SS.....	16	D-1586.....	6	D-1695.....	31	D-1768.....	23
CCEP-7134.....	R2-12	D-1519.....	22	D-1586-SS.....	6	D-1696.....	20	D-1769.....	28
CCEP-7135.....	R2-12	D-1520.....	19	D-1587.....	14	D-1697.....	20	D-1770.....	25
CCEP-7136.....	R2-12	D-1521.....	19	D-1588.....	22	D-1698.....	20	D-1771.....	22
CCEP-7200.....	R2-12	D-1522.....	18	D-1588.....	17	D-1699.....	21	D-1772.....	19
CCEP-7201.....	R2-12	D-1523.....	14	D-1589.....	22	D-1700.....	31	D-1773.....	21
CCEP-7202.....	R2-12	D-1523-SS.....	15	D-1589.....	17	D-1701.....	31	D-1774.....	20
CCEP-7203.....	R2-12	D-1524.....	15	D-1590.....	21	D-1702.....	30	D-1775.....	9
CCEP-7204.....	R2-12	D-1525.....	14	D-1591.....	29	D-1703.....	2	D-1776.....	18
CCEP-7205.....	R2-12	D-1525-SS.....	15	D-1594.....	10	D-1704.....	2	D-1777.....	17
CCEP-7206.....	R2-12	D-1526.....	15	D-1594-SS.....	11	D-1707.....	23	D-1778.....	17
CCEP-7207.....	R2-12	D-1527.....	15	D-1595.....	16	D-1708.....	24	D-1781.....	24
CCEP-7208.....	R2-12	D-1528.....	15	D-1596.....	12	D-1710.....	31	D-1782.....	25
CCEP-7236.....	R2-12	D-1529.....	15	D-1597.....	10	D-1712.....	3	D-1785.....	12
CCEP-9003.....	U-7	D-1530.....	20	D-1598.....	28	D-1713.....	3	D-1786.....	11
CCEP-9004.....	U-6	D-1531.....	20	D-1599.....	25	D-1714.....	30	D-1787.....	1
CCEP-9140.....	U-6	D-1532.....	13	D-1600.....	26	D-1715.....	18	D-1788.....	15
CCEP-9185.....	U-6	D-1533.....	13	D-1601.....	23	D-1716.....	2	D-1789.....	14
CCEP-9186.....	U-6	D-1533-SS.....	13	D-1602.....	27	D-1717.....	32	D-1790.....	20
CCEP-9941KA.....	DS-33	D-1534.....	25	D-1603.....	13	D-1720.....	16	D-1791.....	8
CCEP-9942KA.....	DS-33	D-1535.....	12	D-1607.....	4	D-1721.....	29	D-1792.....	31
CCEP-9943KA.....	DS-33	D-1536.....	12	D-1607-SS.....	4	D-1722.....	30	D-1793.....	16
CCEP-9944KA.....	DS-33	D-1537.....	12	D-1608.....	25	D-1723.....	11	D-1794.....	13

MASTER INDEX

Part#	Page#	Part#	Page#	Part#	Page#	Part#	Page#	Part#	Page#
D-1795.....	1	D-1864.....	8	D-1955.....	27	E-2026.....	E-3	E-2096.....	E-13
D-1796.....	1	D-1865.....	2	D-1956.....	28	E-2027.....	E-4	E-2097.....	E-11
D-1797.....	1	D-1866.....	33	D-1957.....	11	E-2028.....	E-11	E-2098.....	E-13
D-1798.....	2	D-1867.....	1	D-1958.....	27	E-2029.....	E-3	E-2099.....	E-13
D-1799.....	2	D-1868.....	1	D-1959.....	28	E-2030.....	E-3	E-2100.....	E-2
D-1800.....	2	D-1869.....	1	D-1960.....	28	E-2031.....	E-14	E-2101.....	E-2
D-1801.....	31	D-1870.....	22	D-1961.....	28	E-2032.....	E-15	E-2102.....	E-16
D-1802.....	31	D-1871.....	23	D-1962.....	13	E-2033.....	E-8	E-2103.....	E-5
D-1803.....	33	D-1872.....	23	D-1963.....	24	E-2034.....	E-8	E-2104.....	E-5
D-1804.....	33	D-1873.....	23	D-1964.....	23	E-2035.....	E-8	E-2105.....	E-3
D-1805.....	25	D-1874.....	1	D-1965.....	23	E-2036.....	E-9	E-2106.....	E-15
D-1807.....	12	D-1878.....	15	D-1966.....	29	E-2037.....	E-8	E-2107.....	E-5
D-1808.....	8	D-1879.....	21	D-1967.....	28	E-2038.....	E-8	E-2108.....	E-14
D-1810.....	14	D-1880.....	9	D-1968.....	30	E-2039.....	E-9	E-2109.....	E-14
D-1811.....	15	D-1881.....	2	D-1969-SS.....	27	E-2040.....	E-13	E-2110.....	E-7
D-1812.....	21	D-1882.....	4	D-1970.....	29	E-2041.....	E-14	E-2111.....	E-2
D-1813.....	16	D-1883.....	23	D-1971.....	5	E-2042.....	E-12	E-2112.....	E-8
D-1814.....	31	D-1885.....	27	D-1972.....	30	E-2043.....	E-12	E-2113.....	E-8
D-1815.....	21	D-1886.....	17	D-1973.....	12	E-2044.....	E-12	E-2114.....	E-4
D-1817.....	22	D-1887.....	21	D-1974.....	16	E-2045.....	E-12	E-2115.....	E-6
D-1817.....	17	D-1889.....	24	D-1975.....	16	E-2046.....	E-12	E-2116.....	E-16
D-1818.....	23	D-1890.....	24	D-1976.....	20	E-2047.....	E-12	E-2117.....	E-8
D-1819.....	24	D-1892.....	30	D-1977.....	22	E-2048.....	E-12	E-2118.....	E-2
D-1820.....	25	D-1893.....	14	D-1978.....	22	E-2049.....	E-12	E-2119.....	E-2
D-1822.....	26	D-1896.....	10	D-1979.....	5	E-2050.....	E-10	E-2120.....	E-12
D-1823.....	24	D-1898.....	19	D-1980.....	5	E-2051.....	E-10	E-2121.....	E-1
D-1824.....	25	D-1899.....	5	D-1981.....	9	E-2052.....	E-11	E-2122.....	E-14
D-1825.....	14	D-1900.....	31	D-1982.....	8	E-2053.....	E-11	E-2123.....	E-12
D-1826.....	24	D-1901.....	25	D-1983.....	8	E-2054.....	E-14	E-2124.....	E-10
D-1828.....	25	D-1902.....	15	D-1984.....	8	E-2055.....	E-16	E-2125.....	E-9
D-1829.....	23	D-1904.....	6	D-1985.....	8	E-2056.....	E-16	E-2126.....	E-3
D-1830-SS.....	26	D-1905.....	22	D-1986.....	5	E-2057.....	E-16	E-2127.....	E-16
D-1830.....	26	D-1906.....	14	D-1987.....	5	E-2058.....	E-16	E-2128.....	E-3
D-1831.....	11	D-1907.....	11	D-1988.....	7	E-2059.....	E-16	E-2131.....	E-12
D-1832.....	11	D-1908.....	8	D-1989.....	7	E-2060.....	E-16	E-2132.....	E-15
D-1833.....	11	D-1909.....	21	D-1990.....	4	E-2061.....	E-10	E-2133.....	E-15
D-1834.....	11	D-1911.....	23	D-1991.....	5	E-2062.....	E-9	E-2134.....	E-9
D-1835.....	24	D-1912.....	27	D-1992.....	5	E-2063.....	E-14	E-2136.....	E-11
D-1836.....	29	D-1913.....	2	D-1993.....	7	E-2064.....	E-15	E-2137.....	E-13
D-1837.....	14	D-1915.....	9	D-1994.....	4	E-2065.....	E-8	E-2138.....	E-9
D-1838.....	1	D-1916.....	8	D-1995.....	7	E-2066.....	E-8	E-2139.....	E-8
D-1839.....	1	D-1917.....	9	D-1996.....	8	E-2067.....	E-15	E-2142.....	E-12
D-1840.....	16	D-1918.....	16	D-1999.....	32	E-2068.....	E-15	E-2143.....	E-12
D-1841.....	20	D-1919.....	8	E-2000.....	E-5	E-2069.....	E-4	E-2144.....	E-6
D-1842.....	13	D-1920.....	7	E-2001.....	E-7	E-2070.....	E-6	E-2145.....	E-6
D-1843.....	6	D-1923.....	14	E-2002.....	E-7	E-2071.....	E-6	E-2146.....	E-6
D-1844.....	9	D-1923-SS.....	15	E-2003.....	E-6	E-2072.....	E-6	E-2147.....	E-9
D-1844-SS.....	9	D-1924.....	6	E-2004.....	E-6	E-2073.....	E-6	E-2148.....	E-2
D-1845.....	9	D-1925.....	15	E-2005.....	E-7	E-2075.....	E-15	E-2149.....	E-12
D-1846.....	9	D-1929.....	15	E-2006.....	E-7	E-2076.....	E-15	E-2150.....	E-10
D-1847.....	9	D-1930.....	26	E-2008.....	E-2	E-2077.....	E-3	E-2151.....	E-7
D-1848.....	12	D-1931.....	20	E-2009.....	E-1	E-2078.....	E-10	E-2152.....	E-16
D-1849.....	12	D-1932.....	14	E-2010.....	E-2	E-2079.....	E-3	E-2153.....	E-16
D-1850.....	23	D-1933.....	33	E-2011.....	E-2	E-2080.....	E-3	E-2155.....	E-16
D-1851.....	32	D-1934.....	13	E-2012.....	E-1	E-2081.....	E-15	E-2156.....	E-16
D-1852.....	8	D-1935.....	31	E-2013.....	E-1	E-2082.....	E-13	E-2160.....	E-10
D-1853.....	17	D-1936.....	20	E-2014.....	E-1	E-2083.....	E-13	E-2161.....	E-7
D-1854.....	1	D-1938.....	6	E-2015.....	E-11	E-2084.....	E-13	E-2162.....	E-7
D-1855.....	4	D-1939.....	31	E-2016.....	E-10	E-2085.....	E-11	E-2163.....	E-7
D-1855-SS.....	4	D-1940.....	8	E-2017.....	E-11	E-2086.....	E-12	E-2164.....	E-1
D-1856.....	22	D-1942.....	22	E-2018.....	E-11	E-2087.....	E-7	E-2165.....	E-14
D-1858.....	7	D-1947.....	11	E-2019.....	E-11	E-2088.....	E-7	E-2166.....	E-10
D-1859.....	31	D-1948.....	11	E-2020.....	E-11	E-2089.....	E-13	E-2168.....	E-15
D-1860.....	11	D-1949.....	27	E-2021.....	E-2	E-2090.....	E-7	E-2169.....	E-12
D-1861.....	3	D-1950.....	18	E-2022.....	E-2	E-2092.....	E-15	E-2170.....	E-7
D-1862-SS.....	7	D-1952.....	23	E-2023.....	E-14	E-2093.....	E-13	E-2171.....	E-2
D-1862.....	7	D-1953.....	27	E-2024.....	E-14	E-2094.....	E-12	E-2172.....	E-13
D-1863.....	27	D-1954.....	28	E-2025.....	E-3	E-2095.....	E-8	E-2176.....	E-9

MASTER INDEX

Part#	Page#	Part#	Page#	Part#	Page#	Part#	Page#	Part#	Page#
E-2177	E-9	E-2571	E-4	EP-21083	TH-9	F-2552	F-1	F-2642	F-16
E-2181	E-16	E-2572	E-10	EP-21090	TH-9	F-2553	F-8	F-2643	F-10
E-2182	E-16	E-2575	E-1	EP-21094	TH-9	F-2554	F-5	F-2644	F-9
E-2184	E-2	E-2576	E-7	EP-21099	TH-9	F-2556	F-2	F-2645	F-15
E-2185	E-1	E-2577	E-5	EP-21101	TH-9	F-2558	F-2	F-2646	F-2
E-2186	E-2	E-2693	E-5	EP-21105	TH-9	F-2560	F-2	F-2647	F-11
E-2187	E-1	E-2232	DS-2	EP-22317	TH-8	F-2566	F-1	F-2648	F-3
E-2189	E-1	E-2233	DS-2	EP-22319	TH-8	F-2568	F-1	F-2649	F-4
E-2190	E-10	E-2234	DS-2	EP-22322	TH-8	F-2570	F-9	F-2650	F-4
E-2191	E-8	E-2235	DS-3	EP-22397	TH-7	F-2571	F-9	F-2652	F-9
E-2192	E-4	E-2236	DS-3	EP-22453	TH-8	F-2572	F-10	F-2653	F-1
E-2194	E-6	E-2279	DS-25	EP-22499	TH-8	F-2574	F-1	F-2654	F-5
E-2195	E-6	E-2280	DS-25	EP-22593	TH-7	F-2575	F-11	F-2658	F-4
E-2197	E-14	E-2281	DS-26	EP-22825	TH-7	F-2577	F-11	F-2659	F-3
E-2198	E-5	E-2282	DS-26	EP-22826	TH-8	F-2577-B	F-11	F-2660	F-16
E-2199	E-1	E-2283	DS-2	EP-23065	TH-9	F-2577-W	F-11	F-2661	F-8
E-2468	E-1	E-2284	DS-2	EP-23066	TH-9	F-2578	F-11	F-2663	F-1
E-2469	E-1	E-2291	DS-3	EP-23067	TH-9	F-2580	F-10	F-2665	F-3
E-2470	E-1	E-2292	DS-3	EP-23068	TH-9	F-2583	F-3	F-2666	F-3
E-2471	E-9	E-2293	DS-25	EP-23088	TH-9	F-2584	F-1	F-2667	F-5
E-2472	E-10	E-2294	DS-25	F-2500	F-10	F-2585	F-9	F-2669	F-6
E-2473	E-4	E-2295	DS-26	F-2501	F-10	F-2586	F-9	F-2671	F-15
E-2474	E-5	E-2296	DS-26	F-2502	F-10	F-2587	F-1	F-2672	F-3
E-2475	E-4	E-2297	DS-25	F-2503	F-10	F-2588	F-6	F-2673	F-3
E-2476	E-7	E-2298	DS-3	F-2504	F-12	F-2589	F-3	F-2674	F-9
E-2477	E-7	E-2299	DS-2	F-2505	F-8	F-2590	F-3	F-2675	F-12
E-2485	E-2	E-2300	DS-2	F-2506	F-8	F-2591	F-3	F-2677	F-2
E-2487	E-1	E-2301	DS-2	F-2507	F-8	F-2592	F-3	F-2679	F-2
E-2488	E-5	E-2302	DS-3	F-2508	F-9	F-2593	F-9	F-2680	F-7
E-2489	E-1	E-2303	DS-3	F-2509	F-9	F-2594	F-4	F-2681	F-7
E-2523	E-8	E-2304	DS-3	F-2510	F-9	F-2595	F	F-2682	F-7
E-2533	E-5	E-2305	DS-2	F-2511	F-9	F-2596	F-3	F-2683	F-7
E-2534	E-5	E-2307	DS-2	F-2512	F-4	F-2597	F-8	F-2684	F-7
E-2545	E-13	E-2308	DS-2	F-2513	F-12	F-2598	F-14	F-2685	F-7
E-2563	E-10	E-2309	DS-2	F-2514	F-12	F-2599	F-14	F-2686	F-7
E-2565	E-1	E-2311	DS-25	F-2515	F-12	F-2600	F-1	F-2687	F-6
E-2566	E-12	E-2317	DS-26	F-2517	F-8	F-2601	F-1	F-2688	F-4
E-2567	E-12	E-2318	DS-26	F-2518	F-8	F-2602	F-13	F-2689	F-4
E-2569	E-8	E-2319	DS-25	F-2519	F-11	F-2603	F-13	F-2690	F-9
E-2571	E-4	E-2320	DS-26	F-2521	F-10	F-2604	F-13	F-2691	F-9
E-2572	E-10	E-2321	DS-26	F-2522	F-10	F-2606	F-13	F-2692	F-11
E-2575	E-1	E-2324	DS-4	F-2523	F-11	F-2607	F-8	F-2693	F-15
E-2576	E-7	E-2325	DS-4	F-2524	F-11	F-2608	F-12	F-2694	F-15
E-2577	E-5	EP-3719	H-27	F-2525	F-11	F-2609	F-9	F-2695	F-15
E-2693	E-5	EP-3740	H-31	F-2526	F-1	F-2610	F-12	F-2696	F-14
E-2468	E-1	EP-3758	H-36	F-2527	F-1	F-2611	F-8	F-2697	F-14
E-2469	E-1	EP-3759	H-36	F-2528	F-11	F-2612	F-9	F-2698	F-13
E-2470	E-1	EP-3785	H-35	F-2529	F-8	F-2613	F-9	F-2699	F-13
E-2471	E-9	EP-3786	H-36	F-2530	F-8	F-2614	F-13	F-2703	F-13
E-2472	E-10	EP-3787	H-37	F-2531	F-3	F-2616	F-17	F-2704	F-4
E-2473	E-4	EP-3788	H-37	F-2532	F-3	F-2617	F-2	F-2705	F-2
E-2474	E-5	EP-3837	H-30	F-2533	F-3	F-2618	F-1	F-2706	F-2
E-2475	E-4	EP-3838	H-30	F-2534	F-2	F-2619	F-1	F-2707	F-2
E-2476	E-7	EP-3897	H-36	F-2535	F-1	F-2620	F-1	F-2708	F-2
E-2477	E-7	EP-3898	H-30	F-2536	F-2	F-2621	F-1	F-2709	F-2
E-2485	E-2	EP-3904	H-30	F-2537	F-2	F-2622	F-1	F-2710	F-2
E-2487	E-1	EP-3917	H-30	F-2538	F-2	F-2623	F-12	F-2711	F-1
E-2488	E-5	EP-3918	H-30	F-2539	F-3	F-2624	F-6	F-2712	F-1
E-2489	E-1	EP-3920	H-36	F-2540	F-3	F-2625	F-6	F-2713	F-1
E-2523	E-8	EP-4269	S-18	F-2541	F-10	F-2626	F-6	F-2719	F-2
E-2533	E-5	EP-4270	S-18	F-2542	F-10	F-2627	F-14	F-2722	F-14
E-2534	E-5	EP-9505	DS-11	F-2543	F-10	F-2628	F-16	F-2723	F-3
E-2545	E-13	EP-9506	DS-11	F-2545	F-10	F-2630	F-2	F-2724	F-14
E-2563	E-10	EP-9507	DS-11	F-2547	F-17	F-2631	F-2	F-2725	F-14
E-2565	E-1	EP-9508	DS-11	F-2548	F-11	F-2632	F-5	F-2727	F-14
E-2566	E-12	EP-9520	DS-13	F-2549	F-17	F-2633	F-6	F-2728	F-14
E-2567	E-12	EP-9521	DS-13	F-2550	F-17	F-2634	F-13	F-2729	F-14
E-2569	E-8	EP-21080	TH-9	F-2551	F-17	F-2641	F-12	F-2730	F-14

MASTER INDEX

Part#	Page#	Part#	Page#	Part#	Page#	Part#	Page#	Part#	Page#
F-2731	F-7	F-2824	F-17	FA-2640	H-26	FC-122	H-26	FJ-2030	H-33
F-2734	F-15	F-2825	F-17	FA-2710	H-26	FC-151	H-26	FJ-2120	H-33
F-2735	F-15	F-2826	F-17	FA-2720	H-26	FC-152	H-26	FJ-2130	H-33
F-2736	F-17	F-2827	F-17	FA-2730	H-26	FC-153	H-26	FJ-2220	H-33
F-2737	F-13	F-2828	F-15	FA-2740	H-26	FC-162	H-26	FJ-2230	H-33
F-2738	F-7	F-2829	F-15	FA-2810	H-26	FC-163	H-26	FJ-2320	H-33
F-2740	F-7	F-2830	F-13	FA-2820	H-26	FC-183	H-26	FJ-2330	H-33
F-2741	F-6	F-2831	F-15	FA-2830	H-26	FH-1510	H-32	FJ-2420	H-33
F-2744	F-4	F-2832	F-15	FA-2840	H-26	FH-1520	H-32	FJ-2430	H-33
F-2746	F-5	FA-1210	H-25	FA-2910	H-26	FH-1530	H-32	FJ-2520	H-33
F-2747	F-5	FA-1220	H-25	FA-2920	H-26	FH-1610	H-32	FJ-2530	H-33
F-2748	F-9	FA-1230	H-25	FA-2930	H-26	FH-1620	H-32	FJ-2620	H-33
F-2749	F-15	FA-1240	H-25	FA-2940	H-26	FH-1630	H-32	FJ-2630	H-33
F-2754	F-6	FA-1310	H-25	FA-3010	H-26	FH-1710	H-32	FJ-2720	H-33
F-2755	F-5	FA-1320	H-25	FA-3020	H-26	FH-1720	H-32	FJ-2730	H-33
F-2756	F-4	FA-1330	H-25	FA-3030	H-26	FH-1730	H-32	FJ-2820	H-33
F-2758	F-4	FA-1340	H-25	FA-3040	H-26	FH-1810	H-32	FJ-2830	H-33
F-2762	F-6	FA-1410	H-25	FA-3110	H-26	FH-1820	H-32	FJ-2920	H-33
F-2763	F-6	FA-1420	H-25	FA-3120	H-26	FH-1830	H-32	FJ-2930	H-33
F-2765	F-2	FA-1430	H-25	FA-3130	H-26	FH-1910	H-32	FJ-3020	H-33
F-2766	F-2	FA-1440	H-25	FA-3140	H-26	FH-1920	H-32	FJ-3030	H-33
F-2767	F-5	FA-1510	H-25	FA-3210	H-26	FH-1930	H-32	FJ-3120	H-33
F-2768	F-5	FA-1520	H-25	FA-3220	H-26	FH-2010	H-32	FJ-3130	H-33
F-2769	F-16	FA-1530	H-25	FA-3230	H-26	FH-2020	H-32	FJ-3220	H-33
F-2770	F-16	FA-1540	H-25	FA-3240	H-26	FH-2030	H-32	FJ-3230	H-33
F-2771	F-4	FA-1610	H-25	FA-3310	H-26	FH-2110	H-32	FJ-3320	H-33
F-2772	F-12	FA-1620	H-25	FA-3320	H-26	FH-2120	H-32	FJ-3420	H-33
F-2778	F-6	FA-1630	H-25	FA-3330	H-26	FH-2130	H-32	FJ-3520	H-33
F-2779	F-4	FA-1640	H-25	FA-3340	H-26	FH-2220	H-32	FJ-3620	H-33
F-2780	F-3	FA-1710	H-25	FA-3410	H-26	FH-2230	H-32	FJ-3720	H-33
F-2781	F-3	FA-1720	H-25	FA-3420	H-26	FH-2320	H-32	FJ-3820	H-33
F-2782	F-3	FA-1730	H-25	FA-3430	H-26	FH-2330	H-32	FJ-3920	H-33
F-2783	F-3	FA-1740	H-25	FA-3440	H-26	FH-2420	H-32	FL-1820	H-33
F-2784	F-5	FA-1810	H-25	FA-3510	H-26	FH-2430	H-32	FL-1920	H-33
F-2785	F-5	FA-1820	H-25	FA-3520	H-26	FH-2520	H-32	FL-2020	H-33
F-2786	F-7	FA-1830	H-25	FA-3530	H-26	FH-2530	H-32	FL-2120	H-33
F-2788	F-16	FA-1840	H-25	FA-3540	H-26	FH-2620	H-32	FL-2220	H-33
F-2789	F-7	FA-1910	H-25	FA-3610	H-26	FH-2630	H-32	FL-2320	H-33
F-2790	F-7	FA-1920	H-25	FA-3620	H-26	FH-2720	H-32	FL-2420	H-33
F-2791	F-7	FA-1930	H-25	FA-3630	H-26	FH-2730	H-32	FL-2520	H-33
F-2792	F-7	FA-1940	H-25	FA-3640	H-26	FH-2820	H-32	FL-2620	H-33
F-2793	F-17	FA-2010	H-25	FA-3710	H-26	FH-2830	H-32	FL-2720	H-33
F-2794	F-17	FA-2020	H-25	FA-3720	H-26	FH-2920	H-32	FL-2820	H-33
F-2795	F-4	FA-2030	H-25	FA-3730	H-26	FH-2930	H-32	FL-2920	H-33
F-2796	F-4	FA-2040	H-25	FA-3740	H-26	FH-3020	H-32	FL-3020	H-33
F-2797	F-4	FA-2110	H-25	FA-3810	H-26	FH-3030	H-32	FM-1820	H-34
F-2798	F-4	FA-2120	H-25	FA-3820	H-26	FH-3120	H-32	FM-1920	H-34
F-2799	F-4	FA-2130	H-25	FA-3830	H-26	FH-3130	H-32	FM-2020	H-34
F-2800	F-4	FA-2140	H-25	FA-3840	H-26	FH-3220	H-32	FM-2120	H-34
F-2801	F-15	FA-2210	H-26	FA-3910	H-26	FH-3230	H-32	FM-2220	H-34
F-2805	F-3	FA-2220	H-26	FA-3920	H-26	FH-3320	H-32	FM-2320	H-34
F-2806	F-3	FA-2230	H-26	FA-3930	H-26	FH-3420	H-32	FM-2420	H-34
F-2807	F-7	FA-2240	H-26	FA-3940	H-26	FH-3520	H-32	FM-2520	H-34
F-2808	F-14	FA-2310	H-26	FA-4010	H-26	FH-3620	H-32	FM-2620	H-34
F-2809	F-14	FA-2320	H-26	FA-4020	H-26	FH-3720	H-32	FM-2720	H-34
F-2810	F-14	FA-2330	H-26	FA-4030	H-26	FH-3820	H-32	FM-2820	H-34
F-2811	F-14	FA-2340	H-26	FA-4040	H-26	FH-3920	H-32	FM-2920	H-34
F-2812	F-16	FA-2410	H-26	FA-4110	H-26	FJ-1520	H-33	FM-3020	H-34
F-2813	F-16	FA-2420	H-26	FA-4120	H-26	FJ-1530	H-33	FR-1820-340	H-34
F-2814	F-16	FA-2430	H-26	FA-4130	H-26	FJ-1620	H-33	FR-1820-341	H-34
F-2815	F-16	FA-2440	H-26	FA-4140	H-26	FJ-1630	H-33	FR-1820-342	H-34
F-2816	F-14	FA-2510	H-26	FA-4210	H-26	FJ-1720	H-33	FR-1820-343	H-34
F-2817	F-3	FA-2520	H-26	FA-4220	H-26	FJ-1730	H-33	FR-1920-340	H-34
F-2818	F-3	FA-2530	H-26	FA-4230	H-26	FJ-1820	H-33	FR-1920-341	H-34
F-2819	F-3	FA-2540	H-26	FA-4240	H-26	FJ-1830	H-33	FR-1920-342	H-34
F-2820	F-3	FA-2610	H-26	FC-111	H-26	FJ-1920	H-33	FR-1920-343	H-34
F-2821	F-16	FA-2620	H-26	FC-112	H-26	FJ-1930	H-33	FR-2020-340	H-34
F-2822	F-16	FA-2630	H-26	FC-121	H-26	FJ-2020	H-33	FR-2020-341	H-34

MASTER INDEX

Part#	Page#	Part#	Page#	Part#	Page#	Part#	Page#	Part#	Page#
FR-2020-342	H-34	FS-294B	H-29	G-3061	G-11	G-3128	G-4	GD-12210	GD-16
FR-2020-343	H-34	FS-295B	H-29	G-3062	G-19	G-3129	G-18	GD-12222	GD-15
FR-2120-340	H-34	FS-340**	H-35	G-3063	G-19	G-3130	G-17	GD-12223	GD-15
FR-2120-341	H-34	FS-341**	H-35	G-3064	G-12	G-3131	G-17	GD-12224	GD-14
FR-2120-342	H-34	FS-342**	H-35	G-3065	G-13	G-3132	G-17	GD-12225	GD-14
FR-2120-343	H-34	FS-343**	H-35	G-3066	G-15	G-3133	G-18	GD-12226	GD-14
FR-2220-340	H-34	G-3000	G-6	G-3067	G-9	G-3134	G-16	GD-12227	GD-14
FR-2220-341	H-34	G-3001	G-6	G-3068	G-9	G-3135	G-6	GD-12228	GD-14
FR-2220-342	H-34	G-3002	G-7	G-3069	G-20	G-3136	G-17	GD-12229	GD-14
FR-2220-343	H-34	G-3003	G-7	G-3070	G-21	G-3137	G-7	GD-12230	GD-14
FR-2320-340	H-34	G-3004	G-7	G-3071	G-16	G-3138	G-7	GD-12231	GD-14
FR-2320-341	H-34	G-3005	G-8	G-3072	G-14	G-3141	G-20	GD-12232	GD-14
FR-2320-342	H-34	G-3006	G-16	G-3073	G-1	G-3142	G-22	GD-12233	GD-14
FR-2320-343	H-34	G-3007	G-16	G-3075	G-7	G-3143	G-11	GD-12234	GD-14
FR-2420-340	H-34	G-3008	G-13	G-3076	G-7	G-3144	G-9	GD-12235	GD-14
FR-2420-341	H-34	G-3009	G-11	G-3077	G-8	G-3146	G-18	GD-12246	GD-4
FR-2420-342	H-34	G-3010	G-13	G-3078	G-23	G-3147	G-10	GD-12247	GD-4
FR-2420-343	H-34	G-3011	G-9	G-3078A	G-23	G-3151	G-10	GD-12248	GD-4
FR-2520-340	H-34	G-3012	G-12	G-3078B	G-23	G-3152	G-6	GD-12249	GD-4
FR-2520-341	H-34	G-3013	G-12	G-3078C	G-23	G-3153	G-9	GD-12251	GD-3
FR-2520-342	H-34	G-3014	G-18	G-3078D	G-23	G-3154	G-20	GD-12252	GD-3
FR-2520-343	H-34	G-3015	G-2	G-3079	G-22	G-3155	G-24	GD-12253	GD-3
FR-2620-340	H-34	G-3016	G-2	G-3080	G-22	G-3156	G-8	GD-12254	GD-3
FR-2620-341	H-34	G-3017	G-2	G-3081	G-21	G-3158	G-18	GD-12255	GD-14
FR-2620-342	H-34	G-3018	G-1	G-3082	G-3	G-3159	G-17	GD-12256	GD-2
FR-2620-343	H-34	G-3019	G-1	G-3083	G-8	G-3160	G-17	GD-12257	GD-2
FR-2720-340	H-34	G-3020	G-1	G-3084	G-8	G-3166	G-19	GD-12258	GD-2
FR-2720-341	H-34	G-3021	G-24	G-3085	G-8	G-3167	G-10	GD-12259	GD-2
FR-2720-342	H-34	G-3022	G-23	G-3086	G-13	G-3169	G-11	GD-12267	GD-13
FR-2720-343	H-34	G-3022B	G-23	G-3087	G-5	GD-12125	GD-16	GD-12270	GD-14
FR-2820-340	H-34	G-3023	G-23	G-3088	G-8	GD-12126	GD-16	GD-12273	GD-16
FR-2820-341	H-34	G-3024	G-23	G-3089	G-13	GD-12127	GD-16	GD-12274	GD-16
FR-2820-342	H-34	G-3024B	G-23	G-3090	G-2	GD-12128	GD-16	GD-12275	GD-16
FR-2820-343	H-34	G-3025	G-19	G-3091	G-15	GD-12136	GD-17	GD-12276	GD-16
FR-2920-340	H-34	G-3026	G-19	G-3092	G-4	GD-12146	GD-14	GD-12277	GD-13
FR-2920-341	H-34	G-3027	G-19	G-3093	G-4	GD-12149	GD-2	GD-12278	GD-13
FR-2920-342	H-34	G-3028	G-20	G-3094	G-4	GD-12150	GD-2	GD-12279	GD-13
FR-2920-343	H-34	G-3029	G-22	G-3095	G-4	GD-12151	GD-2	GD-12280	GD-17
FR-3020-340	H-34	G-3030	G-9	G-3096	G-21	GD-12152	GD-2	GD-52100	GD-1
FR-3020-341	H-34	G-3031	G-2	G-3097	G-15	GD-12153	GD-2	GD-52101	GD-1
FR-3020-342	H-34	G-3032	G-8	G-3098	G-2	GD-12154	GD-2	GD-52102	GD-1
FR-3020-343	H-34	G-3033	G-3	G-3099	G-18	GD-12155	GD-3	GD-52103	GD-15
FS-100**	H-28	G-3034	G-3	G-3100	G-21	GD-12156	GD-3	GD-52104	GD-6
FS-101**	H-29	G-3035	G-5	G-3101	G-3	GD-12157	GD-3	GD-52105	GD-6
FS-102**	H-29	G-3036	G-1	G-3102	G-6	GD-12158	GD-4	GD-52106	GD-6
FS-103**	H-29	G-3037	G-9	G-3103	G-20	GD-12159	GD-4	GD-52107	GD-6
FS-150**	H-28	G-3038	G-9	G-3104	G-21	GD-12160	GD-4	GD-52108	GD-4
FS-151**	H-28	G-3039	G-5	G-3105	G-3	GD-12170	GD-2	GD-52109	GD-4
FS-152**	H-28	G-3040	G-1	G-3106	G-10	GD-12171	GD-3	GD-52110	GD-4
FS-153**	H-29	G-3041	G-5	G-3107	G-15	GD-12172	GD-2	GD-52111	GD-5
FS-154**	H-29	G-3042	G-5	G-3108	G-11	GD-12173	GD-3	GD-52112	GD-4
FS-100PB	H-28	G-3043	G-15	G-3109	G-14	GD-12174	GD-2	GD-52113	GD-4
FS-101PB	H-29	G-3044	G-12	G-3110	G-20	GD-12175	GD-3	GD-52114	GD-4
FS-102PB	H-29	G-3045	G-15	G-3112	G-12	GD-12176	GD-2	GD-52115	GD-8
FS-103PB	H-29	G-3046	G-16	G-3113	G-22	GD-12177	GD-3	GD-52116	GD-8
FS-150PB	H-28	G-3047	G-13	G-3114	G-21	GD-12178	GD-2	GD-52117	GD-7
FS-151PB	H-28	G-3048	G-14	G-3115	G-22	GD-12179	GD-3	GD-52118	GD-10
FS-152PB	H-28	G-3049	G-14	G-3116	G-3	GD-12180	GD-2	GD-52119	GD-11
FS-153PB	H-29	G-3050	G-10	G-3117	G-23	GD-12181	GD-3	GD-52120	GD-11
FS-154PB	H-29	G-3051	G-5	G-3118	G-18	GD-12191	GD-13	GD-52121	GD-9
FS-250B	H-31	G-3052	G-6	G-3119	G-16	GD-12192	GD-13	GD-52122	GD-8
FS-253B	H-31	G-3053	G-5	G-3121	G-11	GD-12193	GD-13	GD-52123	GD-9
FS-260B	H-31	G-3055	G-10	G-3122	G-13	GD-12194	GD-13	GD-52124	GD-10
FS-261B	H-31	G-3056	G-10	G-3123	G-4	GD-12195	GD-13	GD-52129	GD-15
FS-290B	H-28	G-3057	G-23	G-3124	G-7	GD-12202	GD-13	GD-52130	GD-15
FS-291B	H-28	G-3058	G-14	G-3125	G-4	GD-12205	GD-13	GD-52137	GD-10
FS-292B	H-28	G-3059	G-14	G-3126	G-11	GD-12207	GD-13	GD-52138	GD-10
FS-293B	H-29	G-3060	G-2	G-3127	G-15	GD-12209	GD-17	GD-52139	GD-12

MASTER INDEX

Part#	Page#	Part#	Page#	Part#	Page#	Part#	Page#	Part#	Page#
GD-52140	GD-5	H-3514	H-1	H-3584	H-1	H-3653	H-8	H-3785	H-35
GD-52142	GD-12	H-3515	H-1	H-3585	H-1	H-3654	H-8	H-3786	H-36
GD-52143	GD-12	H-3516	H-1	H-3586	H-1	H-3655	H-8	H-3799	H-21
GD-52144	GD-8	H-3517	H-1	H-3587	H-1	H-3656	H-8	H-3800	H-21
GD-52145	GD-11	H-3518	H-1	H-3588	H-1	H-3657	H-12	H-3801	H-5
GD-52147	GD-9	H-3519	H-1	H-3589	H-22	H-3658	H-9	H-3802	H-5
GD-52148	GD-9	H-3520	H-1	H-3590	H-4	H-3659	H-9	H-3803	H-5
GD-52161	GD-1	H-3521	H-1	H-3591	H-22	H-3660	H-9	H-3804	H-5
GD-52162	GD-7	H-3522	H-1	H-3592	H-6	H-3661	H-12	H-3805	H-5
GD-52163	GD-7	H-3523	H-1	H-3594	H-13	H-3662	H-15	H-3806	H-5
GD-52164	GD-7	H-3524	H-2	H-3595	H-3	H-3663	H-9	H-3807	H-5
GD-52165	GD-7	H-3525	H-2	H-3596	H-6	H-3665	H-19	H-3808	H-5
GD-52166	GD-11	H-3526	H-2	H-3597	H-6	H-3666	H-19	H-3809	H-5
GD-52167	GD-6	H-3527	H-2	H-3598	H-6	H-3667	H-19	H-3810	H-5
GD-52168	GD-5	H-3528	H-2	H-3599	H-6	H-3668	H-19	H-3811	H-5
GD-52169	GD-9	H-3529	H-3	H-3600	H-6	H-3669	H-19	H-3812	H-5
GD-52183	GD-1	H-3530	H-3	H-3601	H-6	H-3670	H-19	H-3813	H-5
GD-52185	GD-6	H-3531	H-4	H-3602	H-7	H-3671	H-19	H-3814	H-5
GD-52186	GD-6	H-3532	H-4	H-3603	H-7	H-3672	H-19	H-3818	H-16
GD-52187	GD-6	H-3533	H-4	H-3604	H-9	H-3673	H-20	H-3819	H-17
GD-52188	GD-6	H-3534	H-4	H-3605	H-9	H-3674	H-20	H-3820	H-6
GD-52189	GD-4	H-3535	H-4	H-3606	H-12	H-3675	H-20	H-3821	H-6
GD-52190	GD-4	H-3536	H-5	H-3607	H-12	H-3676	H-20	H-3823	H-5
GD-52196	GD-7	H-3537	H-5	H-3608	H-12	H-3677	H-20	H-3824	H-5
GD-52197	GD-8	H-3538	H-5	H-3609	H-12	H-3678	H-20	H-3825	H-5
GD-52198	GD-14	H-3539	H-10	H-3610	H-13	H-3679	H-23	H-3826	H-5
GD-52199	GD-12	H-3540	H-10	H-3611	H-12	H-3680	H-2	H-3830	H-1
GD-52200	GD-8	H-3541	H-10	H-3612	H-12	H-3681	H-6	H-3831	H-1
GD-52201	GD-9	H-3542	H-10	H-3613	H-17	H-3682	H-6	H-3832	H-1
GD-52203	GD-5	H-3543	H-10	H-3614	H-17	H-3683	H-14	H-3833	H-1
GD-52211	GD-5	H-3544	H-10	H-3615	H-17	H-3684	H-14	H-3834	H-24
GD-52212	GD-5	H-3545	H-14	H-3616	H-17	H-3685	H-4	H-3835	H-24
GD-52213	GD-8	H-3546	H-16	H-3617	H-17	H-3686	H-4	H-3836	H-14
GD-52214	GD-9	H-3547	H-16	H-3618	H-17	H-3687	H-2	H-3837	H-30
GD-52215	GD-3	H-3548	H-16	H-3619	H-18	H-3688	H-2	H-3838	H-30
GD-52216	GD-3	H-3549	H-16	H-3620	H-17	H-3689	H-23	H-3839	H-21
GD-52217	GD-15	H-3550	H-16	H-3621	H-17	H-3690	H-23	H-3840	H-21
GD-52218	GD-7	H-3551	H-16	H-3622	H-18	H-3691	H-24	H-3841	H-21
GD-52219	GD-10	H-3552	H-18	H-3623	H-18	H-3692	H-24	H-3842	H-21
GD-52220	GD-8	H-3553	H-14	H-3624	H-5	H-3693	H-20	H-3843	H-21
GD-52238	GD-15	H-3554	H-19	H-3625	H-5	H-3694	H-20	H-3844	H-21
GD-52239	GD-5	H-3555	H-19	H-3626	H-15	H-3695	H-20	H-3845	H-21
GD-52240	GD-1	H-3556	H-17	H-3627	H-15	H-3696	H-20	H-3846	H-21
GD-52241	GD-11	H-3557	H-17	H-3628	H-15	H-3702	H-3	H-3847	H-22
GD-52242	GD-6	H-3558	H-17	H-3629	H-14	H-3703	H-3	H-3848	H-22
GD-52243	GD-6	H-3559	H-11	H-3630	H-24	H-3704	H-8	H-3852	H-18
GD-52244	GD-6	H-3560	H-11	H-3631	H-11	H-3705	H-8	H-3853	H-6
GD-52245	GD-6	H-3561	H-10	H-3632	H-23	H-3706	H-28	H-3854	H-6
GD-52262	GD-1	H-3562	H-10	H-3633	H-9	H-3707	H-17	H-3855	H-6
GD-52263	GD-2	H-3563	H-11	H-3634	H-13	H-3708	H-1	H-3856	H-6
GD-52264	GD-12	H-3564	H-11	H-3635	H-13	H-3709	H-1	H-3857	H-6
GD-52265	GD-15	H-3565	H-11	H-3636	H-13	H-3710	H-1	H-3858	H-6
GD-52287	GD-14	H-3568	H-2	H-3637	H-13	H-3711	H-1	H-3861	H-22
GD-52288	GD-15	H-3569	H-2	H-3638	H-15	H-3712	H-4	H-3862	H-22
H-3500	H-1	H-3570	H-2	H-3639	H-11	H-3713	H-4	H-3867	H-24
H-3501	H-1	H-3571	H-2	H-3640	H-7	H-3714	H-5	H-3868	H-24
H-3502	H-1	H-3572	H-4	H-3641	H-7	H-3715	H-5	H-3869	H-24
H-3503	H-1	H-3573	H-4	H-3642	H-7	H-3716	H-10	H-3870	H-24
H-3504	H-1	H-3574	H-14	H-3643	H-7	H-3717	H-10	H-3871	H-24
H-3505	H-1	H-3575	H-3	H-3644	H-7	H-3718	H-10	H-3872	H-24
H-3506	H-1	H-3576	H-11	H-3645	H-7	H-3719	H-27	H-3873	H-24
H-3507	H-1	H-3577	H-24	H-3646	H-7	H-3753	H-15	H-3874	H-24
H-3508	H-1	H-3578	H-24	H-3647	H-7	H-3754	H-27	H-3875	H-24
H-3509	H-1	H-3579	H-24	H-3648	H-8	H-3755	H-29	H-3876	H-24
H-3510	H-1	H-3580	H-24	H-3649	H-8	H-3756	H-29	H-3877	H-24
H-3511	H-1	H-3581	H-1	H-3650	H-8	H-3757	H-29	H-3878	H-25
H-3512	H-1	H-3582	H-1	H-3651	H-8	H-3758	H-36	H-3879	H-25
H-3513	H-1	H-3583	H-1	H-3652	H-8	H-3759	H-36	H-3880	H-25

MASTER INDEX

Part#	Page#	Part#	Page#	Part#	Page#	Part#	Page#	Part#	Page#
H-3881	H-25	J-4520	J-3	J-4610	J-11	K-5011	K-7	K-5098	K-8
H-3882	H-25	J-4522	J-5	J-4611	J-11	K-5012	K-3	K-5099	K-6
H-3883	H-25	J-4523	J-9	J-4612	J-11	K-5013	K-7	K-5100	K-7
H-3884	H-25	J-4524	J-1	J-4613	J-10	K-5014	K-7	K-5101	K-3
H-3885	H-5	J-4525	J-1	J-4614	J-7	K-5015	K-7	K-5102	K-4
H-3886	H-1	J-4526	J-2	J-4615	J-6	K-5016	K-7	K-5103	K-12
H-3887	H-1	J-4527	J-2	J-4616	J-13	K-5019	K-9	K-5104	K-12
H-3888	H-15	J-4528	J-5	J-4617	J-13	K-5021	K-5	K-5105	K-5
H-3890	H-16	J-4529	J-5	J-4618	J-13	K-5022	K-6	K-5106	K-5
H-3891	H-16	J-4530	J-4	J-4619	J-13	K-5023	K-6	K-5107	K-2
H-3892	H-5	J-4531	J-4	J-4620	J-13	K-5024	K-6	K-5108	K-13
H-3893	H-5	J-4532	J-2	J-4621	J-13	K-5025	K-8	K-5109	K-13
H-3894	H-5	J-4533	J-9	J-4622	J-13	K-5026	K-10	K-5110	K-14
H-3895	H-5	J-4534	J-5	J-4623	J-13	K-5027	K-12	K-5111	K-14
H-3896	H-5	J-4535	J-4	J-4626	J-13	K-5028	K-12	K-5112	K-14
H-3897	H-36	J-4536	J-4	J-4630	J-13	K-5029	K-12	K-5113	K-14
H-3898	H-30	J-4537	J-9	J-4631	J-13	K-5030	K-13	K-5116	K-2
H-3899	H-22	J-4538	J-9	J-4638	J-13	K-5031	K-13	K-5117	K-7
H-3900	H-22	J-4539	J-9	J-4640	J-12	K-5032	K-14	K-5118	K-12
H-3902	H-10	J-4540	J-8	J-4641	J-12	K-5033	K-14	K-5119	K-12
H-3903	H-10	J-4542	J-8	J-4643	J-12	K-5034	K-14	K-5120	K-13
H-3904	H-30	J-4543	J-9	J-4647	J-9	K-5035	K-9	K-5121	K-1
H-3905	H-15	J-4544	J-6	J-4648	J-9	K-5036	K-9	K-5125	K-3
H-3906	H-14	J-4545	J-6	J-4649	J-9	K-5037	K-8	K-5129	K-15
H-3907	H-1	J-4547	J-7	J-4650	J-9	K-5038	K-10	K-5130	K-5
H-3908	H-1	J-4550	J-9	J-4652	J-7	K-5039	K-10	K-5131	K-11
H-3909	H-1	J-4551	J-10	J-4653	J-7	K-5043	K-11	K-5132	K-11
H-3910	H-1	J-4552	J-10	J-4654	J-7	K-5044	K-11	K-5133	K-8
H-3911	H-13	J-4554	J-6	J-4657	J-13	K-5045	K-10	K-5134	K-8
H-3912	H-13	J-4555	J-6	J-4658	J-13	K-5050	K-8	K-5135	K-8
H-3913	H-13	J-4556	J-10	J-4659	J-13	K-5051	K-9	K-5136	K-8
H-3914	H-2	J-4557	J-10	J-4660	J-13	K-5052	K-3	K-5137	K-10
H-3915	H-2	J-4558	J-2	J-4668	J-12	K-5053	K-4	K-5140	K-2
H-3916	H-23	J-4559	J-2	J-4681	J-10	K-5054	K-9	K-5141	K-10
H-3917	H-30	J-4560	J-4	J-4686	J-13	K-5056	K-4	K-5142	K-11
H-3918	H-30	J-4561	J-4	J-4702	J-13	K-5057	K-4	K-5143	K-15
H-3920	H-36	J-4562	J-4	J-4703	J-13	K-5058	K-13	K-5144	K-9
H-3921	H-1	J-4563	J-4	J-4704	J-13	K-5059	K-13	K-5145	K-2
H-3922	H-1	J-4564	J-3	J-4705	J-8	K-5061	K-5	K-5148	K-6
H-3923	H-1	J-4565	J-3	J-4706	J-11	K-5062	K-5	K-5149	K-1
H-3924	H-1	J-4566	J-9	J-4707	J-11	K-5063	K-4	K-5150	K-1
H-3925	H-18	J-4567	J-4	J-4708	J-13	K-5064	K-4	K-5151	K-1
H-3926	H-15	J-4568	J-4	J-4713	J-8	K-5066	K-5	K-5158	K-12
H-3927	H-23	J-4570	J-9	J-4724	J-9	K-5067	K-12	K-5159	K-10
H-3928	H-23	J-4571	J-10	J-4728	J-12	K-5070	K-2	K-5169	K-6
H-3929	H-28	J-4572	J-10	J-4770	J-9	K-5071	K-2	K-5170	K-1
H-3930	H-28	J-4573	J-6	J-4771	J-8	K-5072	K-13	K-5171	K-2
H-3932	H-16	J-4574	J-2	J-4772	J-8	K-5073	K-12	K-5172	K-12
H-3933	H-16	J-4575	J-2	J-4773	J-8	K-5074	K-12	K-5173	K-12
H-3938	H-16	J-4576	J-5	J-4774	J-8	K-5075	K-15	K-5174	K-13
J-4500	J-1	J-4577	J-5	J-4775	J-8	K-5076	K-12	L-5500	L-1
J-4501	J-1	J-4578	J-12	J-4776	J-8	K-5077	K-1	L-5501	L-1
J-4502	J-1	J-4579	J-12	J-4777	J-8	K-5078	K-1	L-5502	L-1
J-4503	J-1	J-4580	J-13	J-4778	J-8	K-5079	K-3	L-5503	L-1
J-4504	J-1	J-4581	J-13	J-4779	J-8	K-5080	K-3	L-5504	L-1
J-4505	J-1	J-4592	J-6	J-4780	J-13	K-5081	K-1	L-5505	L-1
J-4507	J-1	J-4593	J-6	J-4781	J-13	K-5082	K-2	L-5506	L-2
J-4509	J-1	J-4594	J-10	K-5000	K-1	K-5083	K-15	L-5507	L-2
J-4510	J-5	J-4595	J-10	K-5001	K-1	K-5084	K-15	L-5508	L-2
J-4511	J-5	J-4596	J-7	K-5002	K-1	K-5089	K-2	L-5509	L-2
J-4512	J-3	J-4597	J-7	K-5003	K-7	K-5090	K-2	L-5510	L-2
J-4513	J-3	J-4598	J-8	K-5004	K-7	K-5091	K-4	L-5511	L-2
J-4514	J-3	J-4599	J-8	K-5005	K-7	K-5092	K-4	L-5512	L-4
J-4515	J-3	J-4600	J-7	K-5006	K-2	K-5093	K-11	L-5513	L-4
J-4516	J-2	J-4601	J-7	K-5007	K-2	K-5094	K-14	L-5514	L-4
J-4517	J-2	J-4602	J-7	K-5008	K-2	K-5095	K-14	L-5515	L-4
J-4518	J-2	J-4603	J-7	K-5009	K-7	K-5096	K-8	L-5516	L-4
J-4519	J-3	J-4609	J-11	K-5010	K-7	K-5097	K-8	L-5517	L-2

MASTER INDEX

Part#	Page#	Part#	Page#	Part#	Page#	Part#	Page#	Part#	Page#
L-5518	L-1	L-5602	L-7	L-5723	L-2	M-6066	M-17	M-6167	M-1
L-5519	L-4	L-5603	L-4	L-5724	L-2	M-6067	M-14	M-6168	M-1
L-5520	L-4	L-5604	L-12	L-5725	L-2	M-6068	M-2	M-6169	M-1
L-5521	L-4	L-5605	L-12	L-5726	L-2	M-6069	M-5	M-6174	M-7
L-5522	L-5	L-5606	L-1	L-5727	L-2	M-6070	M-6	N-6500	N-1
L-5523	L-6	L-5607	L-1	L-5728	L-2	M-6071	M-6	N-6501	N-1
L-5524	L-6	L-5608	L-1	L-5729	L-2	M-6072	M-10	N-6502	N-11
L-5525	L-6	L-5609	L-1	M-6000	M-1	M-6073	M-11	N-6503	N-11
L-5527	L-11	L-5610	L-1	M-6001	M-1	M-6074	M-11	N-6504	N-1
L-5528	L-12	L-5611	L-1	M-6002	M-1	M-6075	M-18	N-6505	N-1
L-5529	L-9	L-5612	L-1	M-6003	M-1	M-6076	M-18	N-6506	N-11
L-5532	L-11	L-5613	L-1	M-6006	M-2	M-6077	M-15	N-6507	N-11
L-5534	L-11	L-5614	L-1	M-6007	M-2	M-6078	M-12	N-6508	N-1
L-5535	L-12	L-5615	L-1	M-6008	M-3	M-6079	M-12	N-6509	N-1
L-5536	L-8	L-5616	L-1	M-6009	M-3	M-6082	M-18	N-6510	N-1
L-5537	L-8	L-5617	L-3	M-6010	M-3	M-6083	M-10	N-6511	N-1
L-5538	L-8	L-5618	L-3	M-6011	M-3	M-6084	M-10	N-6512	N-2
L-5539	L-8	L-5620	L-12	M-6012	M-3	M-6085	M-18	N-6513	N-2
L-5540	L-8	L-5621	L-3	M-6013	M-4	M-6086	M-18	N-6514	N-2
L-5541	L-8	L-5622	L-7	M-6014	M-9	M-6087	M-19	N-6515	N-2
L-5542	L-8	L-5623	L-10	M-6015	M-9	M-6088	M-16	N-6516	N-2
L-5543	L-9	L-5624	L-10	M-6016	M-8	M-6089	M-14	N-6517	N-2
L-5544	L-9	L-5625	L-10	M-6017	M-8	M-6090	M-7	N-6518	N-8
L-5545	L-8	L-5626	L-10	M-6018	M-8	M-6091	M-16	N-6519	N-8
L-5548	L-3	L-5628	L-12	M-6019	M-8	M-6092	M-11	N-6520	N-2
L-5549	L-1	L-5629	L-11	M-6020	M-12	M-6093	M-11	N-6521	N-2
L-5550	L-1	L-5630	L-2	M-6021	M-12	M-6094	M-11	N-6522	N-11
L-5551	L-9	L-5631	L-8	M-6022	M-10	M-6095	M-16	N-6523	N-11
L-5552	L-9	L-5632	L-8	M-6023	M-10	M-6096	M-17	N-6524	N-2
L-5553	L-9	L-5642	L-5	M-6024	M-13	M-6098	M-12	N-6525	N-2
L-5554	L-10	L-5643	L-5	M-6024B	M-13	M-6099	M-9	N-6526	N-12
L-5555	L-8	L-5654	L-5	M-6025	M-13	M-6100	M-17	N-6527	N-17
L-5557	L-1	L-5655	L-3	M-6025B	M-13	M-6101	M-18	N-6528	N-17
L-5559	L-8	L-5656	L-3	M-6026	M-12	M-6102	M-9	N-6529	N-17
L-5560	L-10	L-5658	L-11	M-6027	M-13	M-6104	M-3	N-6530	N-58
L-5561	L-9	L-5659	L-11	M-6028	M-2	M-6105	M-15	N-6531	N-59
L-5562	L-9	L-5660	L-11	M-6029	M-8	M-6106	M-16	N-6532	N-18
L-5563	L-5	L-5661	L-11	M-6030	M-8	M-6107	M-16	N-6533	N-18
L-5566	L-6	L-5664	L-2	M-6031	M-2	M-6111	M-14	N-6534	N-18
L-5567	L-10	L-5665	L-1	M-6032	M-3	M-6112	M-17	N-6535	N-59
L-5568	L-11	L-5666	L-1	M-6033	M-9	M-6113	M-15	N-6536	N-59
L-5569	L-2	L-5667	L-1	M-6034	M-3	M-6114	M-18	N-6537	N-10
L-5570	L-2	L-5668	L-1	M-6035	M-3	M-6115	M-18	N-6538	N-49
L-5571	L-2	L-5669	L-1	M-6036	M-3	M-6116	M-19	N-6539	N-47
L-5572	L-2	L-5670	L-1	M-6037	M-3	M-6119	M-13	N-6540	N-46
L-5573	L-2	L-5671	L-2	M-6039	M-6	M-6120	M-13	N-6541	N-47
L-5574	L-2	L-5672	L-2	M-6040	M-11	M-6121	M-10	N-6542	N-41
L-5575	L-2	L-5673	L-2	M-6042	M-8	M-6122	M-11	N-6543	N-41
L-5576	L-5	L-5674	L-1	M-6043	M-12	M-6123	M-11	N-6544	N-33
L-5577	L-12	L-5675	L-1	M-6047	M-5	M-6129	M-12	N-6545	N-35
L-5578	L-7	L-5676	L-1	M-6048	M-5	M-6140	M-18	N-6546	N-37
L-5579	L-7	L-5677	L-6	M-6049	M-10	M-6142	M-9	N-6547	N-37
L-5580	L-7	L-5678	L-7	M-6050	M-10	M-6143	M-4	N-6548	N-6
L-5581	L-7	L-5679	L-2	M-6051	M-8	M-6144	M-15	N-6549	N-6
L-5582	L-7	L-5680	L-2	M-6052	M-17	M-6145	M-4	N-6550	N-6
L-5583	L-1	L-5682	L-7	M-6053	M-3	M-6146	M-18	N-6551	N-6
L-5584	L-1	L-5683	L-10	M-6054	M-4	M-6147	M-17	N-6552	N-7
L-5585	L-1	L-5684	L-5	M-6055	M-4	M-6148	M-15	N-6553	N-7
L-5586	L-1	L-5685	L-6	M-6056	M-7	M-6150	M-9	N-6554	N-8
L-5587	L-1	L-5686	L-6	M-6057	M-5	M-6151	M-1	N-6555	N-10
L-5588	L-1	L-5687	L-6	M-6058	M-14	M-6152	M-1	N-6556	N-8
L-5589	L-1	L-5706	L-4	M-6059	M-14	M-6153	M-1	N-6557	N-8
L-5590	L-1	L-5707	L-4	M-6060	M-7	M-6154	M-1	N-6558	N-10
L-5596	L-7	L-5718	L-2	M-6061	M-7	M-6157	M-5	N-6559	N-7
L-5597	L-7	L-5719	L-2	M-6062	M-6	M-6158	M-8	N-6560	N-30
L-5598	L-7	L-5720	L-2	M-6063	M-6	M-6159	M-8	N-6561	N-32
L-5599	L-7	L-5721	L-2	M-6064	M-9	M-6164	M-13	N-6562	N-31
L-5600	L-7	L-5722	L-2	M-6065	M-1	M-6166	M-1	N-6563	N-31

MASTER INDEX

Part#	Page#	Part#	Page#	Part#	Page#	Part#	Page#	Part#	Page#
N-6564	N-31	N-6639	N-53	N-6711	N-42	N-6781	N-54	N-6860	N-52
N-6565	N-31	N-6640	N-39	N-6712	N-40	N-6782	N-36	N-6861	N-24
N-6566	N-61	N-6641	N-49	N-6713	N-40	N-6783	N-53	N-6862	N-56
N-6567	N-31	N-6642	N-57	N-6714	N-42	N-6784	N-44	N-6863	N-56
N-6568	N-21	N-6643	N-39	N-6715	N-2	N-6785	N-44	N-6864	N-56
N-6569	N-27	N-6644	N-38	N-6716	N-2	N-6786	N-44	N-6865	N-57
N-6570	N-27	N-6645	N-9	N-6717	N-3	N-6787	N-56	N-6866	N-55
N-6571	N-27	N-6646	N-50	N-6718	N-3	N-6788	N-55	N-6867	N-5
N-6572	N-27	N-6647	N-9	N-6719	N-4	N-6789	N-55	N-6868	N-20
N-6573	N-27	N-6648	N-3	N-6720	N-4	N-6790	N-26	N-6869	N-21
N-6575	N-28	N-6649	N-3	N-6721	N-4	N-6791	N-27	N-6870	N-25
N-6576	N-28	N-6650	N-4	N-6722	N-4	N-6792	N-40	N-6871	N-51
N-6577	N-39	N-6651	N-10	N-6723	N-60	N-6793	N-53	N-6872	N-26
N-6578	N-61	N-6652	N-10	N-6724	N-60	N-6794	N-21	N-6873	N-18
N-6579	N-36	N-6653	N-10	N-6725	N-60	N-6795	N-32	N-6887	N-5
N-6580	N-46	N-6655	N-32	N-6726	N-11	N-6796	N-30	N-6888	N-5
N-6581	N-47	N-6656	N-49	N-6727	N-53	N-6797	N-45	N-6889	N-48
N-6582	N-33	N-6657	N-29	N-6728	N-53	N-6798	N-40	N-6890	N-26
N-6583	N-35	N-6658	N-22	N-6729	N-52	N-6799	N-46	N-6891	N-19
N-6584	N-37	N-6659	N-19	N-6730	N-52	N-6800	N-47	N-6892	N-19
N-6585	N-49	N-6660	N-55	N-6732	N-52	N-6801	N-53	N-6893	N-20
N-6586	N-41	N-6661	N-32	N-6733	N-52	N-6802	N-42	N-6894	N-63
N-6587	N-41	N-6662	N-19	N-6734	N-53	N-6803	N-20	N-6895	N-58
N-6588	N-3	N-6663	N-61	N-6735	N-53	N-6804	N-52	N-6897	N-55
N-6589	N-3	N-6664	N-32	N-6736	N-53	N-6805	N-52	N-6898	N-5
N-6590	N-13	N-6665	N-26	N-6737	N-53	N-6806	N-54	N-6899	N-5
N-6591	N-13	N-6666	N-13	N-6738	N-53	N-6807	N-54	N-6900	N-33
N-6592	N-13	N-6667	N-3	N-6739	N-53	N-6808	N-52	N-6901	N-55
N-6593	N-15	N-6668	N-3	N-6740	N-53	N-6809	N-53	N-6902	N-55
N-6594	N-13	N-6669	N-12	N-6741	N-52	N-6810	N-53	N-6903	N-55
N-6595	N-12	N-6670	N-63	N-6742	N-52	N-6811	N-53	N-6904	N-55
N-6596	N-16	N-6672	N-35	N-6743	N-53	N-6812	N-53	N-6905	N-55
N-6597	N-29	N-6673	N-37	N-6744	N-53	N-6813	N-52	N-6906	N-55
N-6598	N-23	N-6674	N-42	N-6745	N-54	N-6814	N-42	N-6907	N-55
N-6599	N-24	N-6675	N-13	N-6746	N-54	N-6815	N-47	N-6908	N-55
N-6601	N-23	N-6676	N-16	N-6747	N-52	N-6816	N-55	N-6909	N-55
N-6602	N-7	N-6677	N-16	N-6748	N-52	N-6817	N-24	N-6910	N-56
N-6603	N-7	N-6678	N-16	N-6749	N-57	N-6818	N-24	N-6911	N-56
N-6604	N-19	N-6679	N-16	N-6750	N-29	N-6819	N-49	N-6912	N-56
N-6605	N-19	N-6680	N-14	N-6751	N-57	N-6820	N-24	N-6913	N-5
N-6606	N-39	N-6681	N-14	N-6752	N-57	N-6821	N-25	N-6914	N-6
N-6607	N-9	N-6682	N-16	N-6753	N-57	N-6823	N-43	N-6915	N-11
N-6608	N-9	N-6683	N-16	N-6754	N-51	N-6824	N-38	N-6916	N-56
N-6609	N-9	N-6684	N-14	N-6755	N-51	N-6825	N-46	N-6917	N-56
N-6611	N-34	N-6685	N-14	N-6756	N-51	N-6826	N-21	N-6918	N-56
N-6612	N-36	N-6686	N-14	N-6757	N-51	N-6827	N-52	N-6919	N-56
N-6613	N-38	N-6687	N-14	N-6758	N-8	N-6828	N-43	N-6922	N-55
N-6614	N-35	N-6688	N-15	N-6759	N-8	N-6829	N-22	N-6923	N-56
N-6615	N-58	N-6689	N-15	N-6760	N-31	N-6830	N-4	N-6925	N-5
N-6616	N-58	N-6690	N-15	N-6761	N-31	N-6831	N-44	N-6926	N-5
N-6617	N-55	N-6691	N-15	N-6762	N-47	N-6832	N-45	N-6927	N-56
N-6619	N-59	N-6692	N-15	N-6763	N-20	N-6833	N-45	N-6928	N-56
N-6620	N-59	N-6693	N-33	N-6764	N-21	N-6834	N-45	N-6930	N-51
N-6621	N-28	N-6696	N-37	N-6765	N-20	N-6835	N-50	N-6931	N-38
N-6622	N-12	N-6697	N-42	N-6766	N-20	N-6836	N-43	N-6932	N-43
N-6623	N-17	N-6698	N-20	N-6767	N-30	N-6837	N-43	N-6933	N-20
N-6624	N-27	N-6699	N-21	N-6768	N-62	N-6838	N-49	N-6934	N-1
N-6625	N-27	N-6700	N-35	N-6769	N-52	N-6839	N-48	N-6935	N-1
N-6626	N-3	N-6701	N-36	N-6770	N-62	N-6840	N-4	N-6936	N-50
N-6627	N-3	N-6702	N-36	N-6771	N-62	N-6841	N-4	N-6938	N-60
N-6628	N-3	N-6703	N-34	N-6773	N-62	N-6842	N-45	N-6942	N-30
N-6629	N-60	N-6704	N-34	N-6774	N-62	N-6843	N-45	N-6945	N-26
N-6630	N-25	N-6705	N-34	N-6775	N-10	N-6844	N-41	N-6946	N-28
N-6631	N-29	N-6706	N-38	N-6776	N-54	N-6845	N-33	N-6947	N-44
N-6635	N-17	N-6707	N-38	N-6777	N-54	N-6846	N-20	N-6948	N-56
N-6636	N-39	N-6708	N-39	N-6778	N-54	N-6847	N-18	N-6949	N-48
N-6637	N-53	N-6709	N-40	N-6779	N-54	N-6848	N-18	N-6950	N-61
N-6638	N-52	N-6710	N-40	N-6780	N-54	N-6849	N-8	N-6951	N-63

MASTER INDEX

Part#	Page#	Part#	Page#	Part#	Page#	Part#	Page#	Part#	Page#
N-6952	N-25	N-7081	N-20	P-7940	PL-6	PH-17109	PH-9	PL-7809	PL-2
N-6953	N-34	N-7082	N-55	P-7941	PL-6	PH-17110	PH-9	PL-7810	PL-2
N-6954	N-45	N-7084	N-63	P-7950	PL-6	PL-7718	PL-3	PL-7811	PL-2
N-6962	N-43	N-7085	N-62	P-7951	PL-6	PL-7719	PL-3	PL-7812	PL-2
N-6963	N-25	N-7087	N-19	P-7960	PL-6	PL-7720	PL-3	PL-7813	PL-2
N-6965	N-28	N-7088	N-19	P-7961	PL-6	PL-7721	PL-3	PL-7814	PL-2
N-6966	N-51	N-7089	N-19	P-7970	PL-6	PL-7722	PL-3	PL-7815	PL-2
N-6967	N-50	N-7090	N-19	P-7971	PL-6	PL-7723	PL-3	PL-7816	PL-2
N-6968	N-29	N-7091	N-12	P-7980	PL-6	PL-7724	PL-3	PL-7817	PL-2
N-6969	N-29	N-7092	N-12	P-7981	PL-6	PL-7725	PL-3	PL-7818	PL-2
N-6970	N-29	N-7099	N-22	P-8093	PL-5	PL-7726	PL-3	PL-7819	PL-2
N-6971	N-29	N-7100	N-22	P-8095	PL-5	PL-7727	PL-3	PL-7820	PL-2
N-6972	N-30	N-7101	N-22	P-8096	PL-5	PL-7728	PL-3	PL-7821	PL-2
N-6973	N-30	P-7501	PL-4	P-8098	PL-5	PL-7729	PL-3	PL-7822	PL-2
N-6974	N-30	P-7503	PL-4	PH-17003	PH-7	PL-7730	PL-7	PL-7823	PL-2
N-6975	N-30	P-7505	PL-4	PH-17008	PH-3	PL-7731	PL-7	PL-7836	PL-2
N-6977	N-12	P-7506	PL-4	PH-17009	PH-3	PL-7732	PL-7	PL-7837	PL-2
N-6978	N-12	P-7508	PL-4	PH-17015	PH-1	PL-7733	PL-7	PL-7838	PL-2
N-6979	N-62	P-7510	PL-5	PH-17016	PH-1	PL-7734	PL-7	PL-7839	PL-2
N-6980	N-22	P-7511	PL-5	PH-17017	PH-1	PL-7735	PL-7	PL-7840	PL-2
N-6982	N-36	P-7515	PL-5	PH-17018	PH-1	PL-7736	PL-7	PL-7841	PL-2
N-6983	N-46	P-7516	PL-6	PH-17019	PH-1	PL-7737	PL-7	PL-7842	PL-7
N-6984	N-48	P-7517	PL-6	PH-17020	PH-1	PL-7738	PL-7	PL-7843	PL-7
N-6985	N-46	P-7518	PL-6	PH-17021	PH-1	PL-7739	PL-7	PL-7844	PL-7
N-6986	N-48	P-7519	PL-6	PH-17022	PH-1	PL-7740	PL-7	PL-7845	PL-12
N-6987	N-21	P-7520	PL-6	PH-17023	PH-2	PL-7741	PL-7	PL-7846	PL-12
N-6988	N-17	P-7521	PL-6	PH-17024	PH-2	PL-7742	PL-7	PL-7847	PL-12
N-6989	N-14	P-7522	PL-6	PH-17025	PH-2	PL-7743	PL-7	PL-7849	PL-12
N-6990	N-61	P-7523	PL-6	PH-17026	PH-2	PL-7744	PL-10	PL-7856	PL-2
N-6991	N-58	P-7524	PL-6	PH-17027	PH-2	PL-7745	PL-10	PL-7857	PL-2
N-6992	N-44	P-7525	PL-6	PH-17028	PH-3	PL-7746	PL-10	PL-7858	PL-2
N-7010	N-21	P-7526	PL-6	PH-17029	PH-3	PL-7747	PL-10	PL-7871	PL-3
N-7012	N-23	P-7527	PL-6	PH-17030	PH-3	PL-7748	PL-10	PL-7873	PL-3
N-7015	N-62	P-7528	PL-6	PH-17031	PH-4	PL-7749	PL-8	PL-7877	PL-7
N-7016	U-13	P-7529	PL-6	PH-17032	PH-4	PL-7750	PL-10	PL-7878	PL-7
N-7017	U-13	P-7530	PL-6	PH-17033	PH-4	PL-7751	PL-10	PL-7879	PL-7
N-7018	U-13	P-7531	PL-6	PH-17034	PH-4	PL-7752	PL-10	PL-7880	PL-7
N-7019	U-13	P-7532	PL-6	PH-17035	PH-4	PL-7753	PL-11	PL-7881	PL-7
N-7023	N-23	P-7533	PL-6	PH-17036	PH-5	PL-7754	PL-11	PL-7882	PL-7
N-7024	N-23	P-7540	PL-5	PH-17037	PH-5	PL-7755	PL-11	PL-7883	PL-7
N-7025	N-50	P-7541	PL-5	PH-17038	PH-5	PL-7756	PL-11	PL-7884	PL-7
N-7030	N-1	P-7542	PL-5	PH-17039	PH-5	PL-7758	PL-13	PL-7885	PL-7
N-7031	N-1	P-7548	PL-5	PH-17040	PH-6	PL-7759	PL-13	PL-7886	PL-7
N-7032	N-11	P-7549	PL-5	PH-17041	PH-6	PL-7760	PL-12	PL-7887	PL-7
N-7033	N-11	P-7616	PL-6	PH-17042	PH-6	PL-7761	PL-12	PL-7888	PL-7
N-7034	N-1	P-7617	PL-6	PH-17043	PH-6	PL-7762	PL-12	PL-7889	PL-7
N-7035	N-1	P-7618	PL-6	PH-17044	PH-5	PL-7765	PL-11	PL-7890	PL-7
N-7036	N-11	P-7619	PL-6	PH-17045	PH-7	PL-7766	PL-12	PL-7891	PL-7
N-7037	N-11	P-7627	PL-7	PH-17046	PH-7	PL-7768	PL-12	PL-7893	PL-7
N-7038	N-55	P-7630	PL-6	PH-17047	PH-7	PL-7770	PL-7	PL-7894	PL-7
N-7039	N-55	P-7631	PL-6	PH-17048	PH-7	PL-7771	PL-7	PL-7896	PL-7
N-7040	N-55	P-7632	PL-6	PH-17049	PH-7	PL-7772	PL-7	PL-7897	PL-7
N-7041	N-55	P-7633	PL-6	PH-17050	PH-8	PL-7773	PL-7	PL-7899	PL-7
N-7051	N-55	P-7634	PL-6	PH-17051	PH-8	PL-7774	PL-7	PL-7900	PL-7
N-7052	N-55	P-7635	PL-6	PH-17052	PH-8	PL-7775	PL-7	PL-7901	PL-7
N-7053	N-55	P-7636	PL-6	PH-17053	PH-8	PL-7776	PL-13	PL-7902	PL-7
N-7054	N-55	P-7637	PL-6	PH-17054	PH-8	PL-7777	PL-9	PL-7903	PL-7
N-7055	N-56	P-7638	PL-6	PH-17055	PH-8	PL-7788	PL-7	PL-7904	PL-7
N-7056	N-56	P-7639	PL-6	PH-17056	PH-8	PL-7790	PL-7	PL-7905	PL-7
N-7057	N-56	P-7640	PL-6	PH-17057	PH-8	PL-7800	PL-2	PL-7906	PL-7
N-7058	N-56	P-7641	PL-6	PH-17058	PH-8	PL-7801	PL-2	PL-7907	PL-7
N-7059	N-56	P-7642	PL-6	PH-17059	PH-8	PL-7802	PL-2	PL-7908	PL-7
N-7060	N-56	P-7643	PL-6	PH-17061	PH-8	PL-7803	PL-2	PL-7909	PL-7
N-7061	N-56	P-7644	PL-6	PH-17062	PH-6	PL-7804	PL-2	PL-7910	PL-7
N-7062	N-56	P-7645	PL-6	PH-17063	PH-9	PL-7805	PL-2	PL-7911	PL-7
N-7063	N-56	P-7646	PL-6	PH-17064	PH-9	PL-7806	PL-2	PL-7912	PL-7
N-7067	N-58	P-7647	PL-6	PH-17107	PH-9	PL-7807	PL-2	PL-7913	PL-7
N-7080	N-62	P-7921	PL-17	PH-17108	PH-9	PL-7808	PL-2	PL-7914	PL-7

MASTER INDEX

Part#	Page#	Part#	Page#	Part#	Page#	Part#	Page#	Part#	Page#
PL-7915	PL-7	PL-8037	PL-2	R-7043	R1-7	R-7188	R1-9	S-4009	S-8
PL-7916	PL-7	PL-8038	PL-2	R-7044	R1-8	R-7189	R1-9	S-4011	S-10
PL-7917	PL-7	PL-8039	PL-2	R-7045	R1-8	R-7190	R1-13	S-4012	S-5
PL-7918	PL-7	PL-8040	PL-2	R-7046	R1-8	R-7191	R1-13	S-4013	S-11
PL-7919	PL-8	PL-8041	PL-2	R-7047	R1-11	R-7193	R1-7	S-4014	S-2
PL-7920	PL-8	PL-8042	PL-2	R-7048	R1-11	R-7194	R2-8	S-4015	S-15
PL-7921	PL-11	PL-8043	PL-2	R-7059	R1-10	R-7197	R1-8	S-4016	S-12
PL-7922	PL-13	PL-8044	PL-2	R-7060	R1-10	R-7198	R1-14	S-4018	S-4
PL-7924	PL-9	PL-14698	PL-17	R-7061	R1-10	R-7199	R1-14	S-4019	S-16
PL-7925	PL-9	PL-14699	PL-17	R-7062	R1-10	R-7210	R2-2	S-4020	S-16
PL-7926	PL-9	PL-14700	PL-17	R-7063	R1-10	R-7211	R2-2	S-4021	S-16
PL-7927	PL-12	PL-14705	L-10	R-7065	R1-10	R-7212	R2-2	S-4023	S-9
PL-7939	PL-14	PL-14706	L-10	R-7067	R1-11	R-7213	R2-2	S-4024	S-2
PL-7940	PL-14	PL-14732	L-10	R-7069	R1-11	R-7214	R2-2	S-4025	S-9
PL-7941	PL-14	PL-15515	PL-17	R-7074	R1-9	R-7215	R1-13	S-4026	S-4
PL-7942	PL-14	PL-15517	PL-17	R-7075	R1-9	R-7217	R2-6	S-4027	S-4
PL-7943	PL-15	PL-14697	B-18	R-7076	R2-14	R-7218	R2-10	S-4028	S-11
PL-7944	PL-15	PL-15535	B-19	R-7077	R1-7	R-7219	R2-10	S-4029	S-8
PL-7945	PL-15	PL-15536	B-19	R-7078	R1-7	R-7220	R2-10	S-4030	S-7
PL-7946	PL-15	PL-15537	B-19	R-7079	R2-14	R-7221	R2-5	S-4031	S-7
PL-7947	PL-14	PL-15723	B-19	R-7080	R2-13	R-7222	R2-5	S-4032	S-1
PL-7948	PL-14	PL-15724	B-19	R-7081	R2-13	R-7223	R2-2	S-4033	S-1
PL-7949	PL-14	PL-15725	B-19	R-7082	R2-2	R-7225	R1-1	S-4034	S-7
PL-7950	PL-14	PL-16063	B-18	R-7083	R2-3	R-7226	R1-1	S-4035	S-7
PL-7951	PL-14	PL-16067	B-19	R-7084	R2-3	R-7227	R2-9	S-4036	S-1
PL-7952	PL-14	PL-16160	B-18	R-7085	R2-3	R-7228	R2-14	S-4037	S-1
PL-7953	PL-14	PL-16172	B-18	R-7086	R2-5	R-7230	R2-11	S-4038	S-4
PL-7954	PL-14	PL-16173	B-19	R-7087	R1-13	R-7232	R2-9	S-4041	S-9
PL-7955	PL-14	PL-16349	B-18	R-7087B	R1-13	R-7233	R2-8	S-4042	S-12
PL-7956	PL-14	R-7000	R1-1	R-7088	R1-13	R-7234	R2-6	S-4046	S-9
PL-7957	PL-14	R-7001	R1-1	R-7090	R1-1	R-7235	R2-2	S-4047	S-3
PL-7958	PL-14	R-7002	R1-1	R-7092	R1-5	R-7237	R1-11	S-4048	DS-31, S-20
PL-7959	PL-14	R-7003	R1-1	R-7093	R1-5	R-7238	R1-11	S-4049	S-20
PL-7960	PL-14	R-7004	R1-1	R-7095	R1-7	R-7239	R2-9	S-4051	S-20
PL-7961	PL-14	R-7005	R1-2	R-7123	R2-8	R-7240	R2-9	S-4052	S-13
PL-7962	PL-14	R-7006	R1-2	R-7124	R2-11	R-7241	R2-7	S-4053	S-20
PL-7963	PL-14	R-7007	R1-1	R-7125	R2-1	R-7242	R2-13	S-4054	DS-31, S-20
PL-7964	PL-15	R-7009	R1-1	R-7126	R2-9	R-7243	R1-9	S-4055	S-20
PL-7965	PL-15	R-7010	R1-2	R-7127	R2-13	R-7245	R2-14	S-4056	S-3
PL-7966	PL-15	R-7011	R1-2	R-7128	R2-3	R-7246	R2-14	S-4057	S-19
PL-7967	PL-8	R-7012	R1-2	R-7130	R2-4	R-7247	R1-1	S-4059	S-14
PL-7968	PL-14	R-7013	R1-2	R-7131	R2-6	R-7248	R1-12	S-4060	S-14
PL-7970	PL-9	R-7014	R1-2	R-7132	R2-11	R-7249	R1-12	S-4061	S-14
PL-7971	PL-9	R-7015	R1-3	R-7133	R2-7	R-7250	R2-14	S-4062	S-11
PL-7972	PL-9	R-7016	R1-3	R-7137	R2-1	R-7251	R1-9	S-4063	S-11
PL-7976	PL-16	R-7018	R1-3	R-7138	R1-12	R-7252	R1-9	S-4064	S-2
PL-7977	PL-16	R-7019	R1-3	R-7139	R1-13	R-7253	R1-8	S-4065	S-5
PL-7978	PL-16	R-7020	R1-4	R-7140	R1-7	R-7255	R2-14	S-4066	S-10
PL-7979	PL-16	R-7021	R1-4	R-7141	R2-11	R-7256	R2-11	S-4067	S-5
PL-7980	PL-16	R-7022	R1-4	R-7142	R2-4	R-7257	R2-12	S-4070	S-6
PL-7981	PL-16	R-7023	R1-4	R-7143	R2-7	R-7258	R1-4	S-4071	S-5
PL-7982	PL-16	R-7024	R1-4	R-7144	R2-1	R-7259	R1-4	S-4072	S-6
PL-7983	PL-16	R-7025	R1-4	R-7145	R2-8	R-7260	R2-6	S-4075	S-1
PL-7984	PL-16	R-7026	R1-4	R-7146	R2-7	R-7261	R2-7	S-4076	S-1
PL-7985	PL-9	R-7027	R1-4	R-7147	R2-10	R-7262	R1-8	S-4077	S-8
PL-7986	PL-9	R-7028	R1-5	R-7148	R2-11	R-7264	R2-8	S-4086	DS-31, S-20
PL-7987	PL-12	R-7029	R1-5	R-7150	R1-7	R-7265	R2-9	S-4091	S-23
PL-7988	PL-16	R-7030	R1-5	R-7151	R1-7	R-7266	R2-5	S-4092	S-23
PL-7989	PL-16	R-7031	R1-5	R-7152	R2-4	R-7275	R2-14	S-4093	S-23
PL-8006	PL-13	R-7032	R1-6	R-7153	R2-10	S-4000	S-1	S-4094	S-23
PL-8007	PL-13	R-7035	R1-6	R-7154	R2-4	S-4001	S-1	S-4095	S-23
PL-8009	PL-8	R-7036	R1-6	R-7164	R1-12	S-4002	S-8	S-4098	S-13
PL-8028	PL-9	R-7037	R1-6	R-7165	R1-12	S-4003	S-8	S-4099	S-15
PL-8029	PL-9	R-7038	R1-6	R-7166	R1-12	S-4004	S-8	S-4103	S-14
PL-8030	PL-9	R-7039	R1-6	R-7171	R1-14	S-4005	S-8	S-4106	U-12
PL-8031	PL-9	R-7040	R1-6	R-7172	R1-10	S-4006	S-8	S-4107	U-12
PL-8035	PL-11	R-7041	R1-6	R-7173	R2-13	S-4007	S-8	S-4108	U-12
PL-8036	PL-2	R-7042	R1-7	R-7174	R2-13	S-4008	S-9	S-4109	U-12

MASTER INDEX

Part#	Page#	Part#	Page#	Part#	Page#	Part#	Page#	Part#	Page#
S-4110	U-12	S-4256	S-19	S-4390	S-12	SP 9610	SP-2	T-8659	PL-7, T-3
S-4111	U-12	S-4257	S-12	S-4396	S-22	SP 9611	SP-2	T-8662	T-1
S-4112	U-12	S-4275	S-12	S-4397	S-2	SP 9612	SP-2	T-8664	T-1
S-4113	U-12	S-4276	S-12	S-4398	S-2	SP 9613	SP-2	T-8666	T-2
S-4114	U-12	S-4277	S-15	S-4399	S-2	SP 9614	SP-2	T-8668	T-2
S-4115	U-12	S-4280	U-12	S-4403	S-5	SP 9615	SP-2	T-8674	T-2
S-4116	U-12	S-4281	U-12	S-4407	S-5	SP 9616	SP-2	T-8675	T-2
S-4117	U-12	S-4282	U-12	S-4408	S-10	SP 9617	SP-2	T-8677	T-2
S-4118	U-12	S-4283	U-12	S-4413	S-15	SP 9618	SP-2	T-8678	T-1
S-4119	U-12	S-4284	U-12	S-4414	S-8	SP 9619	SP-2	T-8679	T-1
S-4120	S-14	S-4285	U-12	S-4415	S-3	SP 9620	SP-2	T-8680	T-3
S-4121	S-14	S-4286	U-12	S-4416	S-2	SP 9621	SP-2	T-8681	T-3
S-4122	S-14	S-4287	U-12	S-4417	S-11	SP 9622	SP-2	T-8683	T-2
S-4124	S-10	S-4288	U-12	S-4418	S-11	SP 9623	SP-2	T-8684	T-2
S-4125	DS-31, S-21	S-4289	U-12	S-4421	S-3	SP 9624	SP-2	T-8685	T-1
S-4126	DS-31, S-21	S-4291	U-12	S-4422	S-2	SP 9625	SP-2	T-8686	T-2
S-4127	DS-31, S-21	S-4292	U-12	S-4423	S-2	SP 9626	SP-2	TH-21896	TH-3
S-4128	DS-31, S-21	S-4293	U-12	S-4424	S-14	SP 9627	SP-2	TH-21928	TH-4
S-4129	DS-31, S-21	S-4294	U-12	S-4425	S-9	SP 9628	SP-2	TH-21931	TH-4
S-4130	DS-31, S-21	S-4295	U-12	S-4426	S-9	SP 9629	SP-2	TH-21932	TH-4
S-4131	DS-31, S-21	S-4296	U-12	S-4429	S-14	SP 9630	SP-2	TH-21937	TH-4
S-4132	DS-31, S-21	S-4297	DS-31, S-21	S-4430	S-15	SP 9631	SP-2	TH-21986	TH-4
S-4133	DS-31, S-21	S-4298	S-12	S-4437	DS-28	SP 9632	SP-2	TH-21996	TH-3
S-4134	DS-31, S-21	S-4299	DS-31, S-21	S-4438	DS-28	SP 9633	SP-2	TH-21998	TH-3
S-4136	DS-31, S-21	S-4300	S-22	S-4439	DS-29	SP 9634	SP-2	TH-21999	TH-3
S-4137	DS-31, S-21	S-4301	S-22	S-4440	DS-28	SP 9635	SP-2	TH-22007	TH-3
S-4138	DS-31, S-21	S-4302	S-22	S-4441	DS-29	SP 9636	SP-2	TH-22134	TH-4
S-4139	S-22	S-4303	S-22	S-4442	DS-28	SP 9637	SP-2	TH-22135	TH-4
S-4140	S-22	S-4309	S-5	S-4443	DS-30	SP 9638	SP-2	TH-22136	TH-4
S-4145	S-13	S-4328	S-1	S-4444	DS-29	SP 9639	SP-2	TH-22137	TH-4
S-4148	S-10	S-4329	S-1	S-4445	DS-30	SP 9640	K-15, SP-3	TH-22142	TH-4
S-4152	S-12	S-4330	S-16	S-4446	DS-30	SP 9641	K-15, SP-3	TH-22232	TH-4
S-4153	S-16	S-4332	S-7	S-4447	DS-30	SP 9642	K-15, SP-3	TH-22233	TH-4
S-4154	S-11	S-4333	S-23	S-4448	DS-29	SP 9643	K-15, SP-3	TH-22235	TH-4
S-4175	S-3	S-4334	S-1	S-4449	S-3	SP 9644	K-15, SP-3	TH-22240	TH-4
S-4177	S-12	S-4335	S-1	S-4453	S-19	SP 9645	SP-2	TH-22243	TH-4
S-4178	S-16	S-4336	S-1	S-4454	S-19	SP 9700	SP-2	TH-22245	TH-4
S-4179	S-16	S-4337	S-11	S-4455	S-19	SP 9701	SP-2	TH-22247	TH-4
S-4180	S-18	S-4338	S-11	S-4456	S-19	SP 9702	SP-2	TH-22253	TH-4
S-4182	S-14	S-4339	S-11	S-4457	S-1	SP 9703	SP-2	TH-23008	TH-1
S-4183	S-15	S-4340	S-1	S-4458	S-1	SP 9704	SP-2	TH-23009	TH-1
S-4184	S-15	S-4348	S-1	S-4460	DS-30	SP 9705	SP-2	TH-23010	TH-1
S-4185	S-16	S-4349	S-5	S-4461	DS-30	SP 9706	SP-2	TH-23011	TH-1
S-4186	S-2	S-4350	S-6	S-4462	DS-28	SP 9707	SP-2	TH-23012	TH-1
S-4187	S-2	S-4351	S-12	S-4467	S-6	SP 9708	SP-2	TH-23013	TH-1
S-4198	S-1	S-4353	S-15	S-4468	S-19	SP 9709	SP-2	TH-23014	TH-3
S-4200	S-16	S-4354	S-8	S-4469	S-19	SP 9710	SP-2	TH-23015	TH-3
S-4210	S-9	S-4355	S-9	S-4470	S-1	SP 9711	SP-2	TH-23016	TH-3
S-4211	S-9	S-4356	S-8	S-4492	S-1	SP 9712	SP-2	TH-23017	TH-3
S-4212	S-15	S-4357	S-8	S-4493	S-1	SP 9713	SP-2	TH-23018	TH-3
S-4213	S-15	S-4358	S-3	S-4494	S-1	T-8500	T-2	TH-23019	TH-3
S-4214	S-15	S-4359	S-3	S-4495	S-1	T-8501	T-2	TH-23020	TH-2
S-4215	S-15	S-4360	S-8	S-4496	S-1	T-8502	T-1	TH-23021	TH-2
S-4220	S-11	S-4365	S-16	S-4497	S-1	T-8503	T-1	TH-23022	TH-2
S-4221	S-11	S-4366	S-16	S-4498	S-2	T-8504	T-1	TH-23023	TH-2
S-4222	S-11	S-4367	S-1	S-4499	DS-31, S-21	T-8505	T-1	TH-23024	TH-2
S-4223	S-11	S-4370	S-7	S-4511	S-15	T-8506	T-1	TH-23025	TH-2
S-4224	S-11	S-4371	S-1	S-4512	S-15	T-8507	T-1	TH-23026	TH-2
S-4225	S-11	S-4372	S-7	SP 9600	SP-2	T-8508	T-1	TH-23027	TH-2
S-4226	S-11	S-4373	S-2	SP 9601	SP-2	T-8509	T-1	TH-23028	TH-2
S-4230	S-20	S-4374	S-2	SP 9602	SP-2	T-8510	T-2	TH-23029	TH-2
S-4231	S-20	S-4375	S-6	SP 9603	SP-2	T-8511	T-2	TH-23030	TH-2
S-4232	S-20	S-4376	S-10	SP 9604	SP-2	T-8512	T-2	TH-23031	TH-2
S-4233	S-20	S-4378	S-10	SP 9605	SP-2	T-8642	T-1	TH-23044	TH-6
S-4236	S-18	S-4385	S-13	SP 9606	SP-2	T-8644	T-2	TH-23045	TH-6
S-4244	S-16	S-4386	S-13	SP 9607	SP-2	T-8646	T-3	TH-23046	TH-6
S-4248	U-12	S-4388	S-9	SP 9608	SP-2	T-8648	T-3	TH-23047	TH-6
S-4252	U-12	S-4389	S-9	SP 9609	SP-2	T-8658	PL-7, T-3	TH-23048	TH-6

MASTER INDEX

Part#	Page#	Part#	Page#	Part#	Page#	Part#	Page#	Part#	Page#
TH-23049	TH-6	U-9142	U-5	U-9336	U-1	U-9504	DS-12	U-9801	DS-14
TH-23050	TH-6	U-9143	U-5	U-9337	U-1	U-9509	DS-12	U-9802	DS-14
TH-23051	TH-6	U-9147	U-3	U-9338	U-3	U-9510	DS-12	U-9805	DS-18
TH-23053	TH-6	U-9148	U-1	U-9339	J-14	U-9511	DS-10	U-9806	DS-18
TH-23054	TH-6	U-9149	U-1	U-9345	U-2	U-9512	DS-10	U-9807	DS-18
TH-23055	TH-6	U-9150	U-1	U-9346	U-2	U-9513	DS-10	U-9810	DS-14
TH-23056	TH-6	U-9151	U-4	U-9347	U-1	U-9514	DS-10	U-9811	DS-14
TH-23057	TH-7	U-9152	U-4	U-9348	U-1	U-9515	DS-13	U-9812	DS-14
TH-23058	TH-7	U-9153	U-4	U-9349	U-1	U-9516	DS-13	U-9815	DS-18
TH-23059	TH-7	U-9154	U-4	U-9350	U-1	U-9517	DS-13	U-9816	DS-18
TH-23060	TH-7	U-9162	U-5	U-9351	U-2	U-9524	DS-13	U-9817	DS-18
TH-23061	TH-2	U-9163	U-5	U-9352	U-2	U-9532	DS-3	U-9820	DS-14
TH-23062	TH-2	U-9164	J-14	U-9353	U-2	U-9533	DS-3	U-9821	DS-14
TH-23063	TH-2	U-9165	J-14	U-9354	U-2	U-9534	DS-3	U-9824	DS-15
TH-23064	TH-2	U-9166	J-14	U-9355	U-2	U-9535	DS-5	U-9825	DS-15
TH-23069	TH-1	U-9167	J-14	U-9356	U-2	U-9536	DS-5	U-9828	DS-15
TH-23070	TH-1	U-9168	J-14	U-9357	U-2	U-9537	DS-7	U-9829	DS-15
TH-23071	TH-1	U-9169	J-14	U-9358	U-2	U-9539	DS-5	U-9830	DS-15
TH-23072	TH-1	U-9185	U-6	U-9359	U-2	U-9540	DS-6	U-9833	DS-15
TH-23073	TH-1	U-9186	U-6	U-9360	U-3	U-9541	DS-6	U-9834	DS-15
TH-23074	TH-6	U-9187	U-3	U-9375	U-9	U-9542	DS-6	U-9835	DS-15
TH-23075	TH-6	U-9188	U-3	U-9376	U-9	U-9543	DS-8	U-9838	DS-15
TH-23076	TH-2	U-9191	U-10	U-9377	U-9	U-9544	DS-8	U-9839	DS-15
TH-23077	TH-2	U-9219	U-5	U-9378	U-9	U-9545	DS-8	U-9842	DS-20
TH-23078	TH-2	U-9220	U-5	U-9379	U-9	U-9546	DS-7	U-9845	DS-16
TH-23079	TH-2	U-9225	J-14	U-9380	U-10	U-9547	DS-6	U-9846	DS-21, S-10
TH-23080	TH-5	U-9232	U-12	U-9381	U-3	U-9548	DS-6	U-9847	DS-21, S-10
TH-23081	TH-5	U-9233	U-12	U-9382	U-3	U-9549	DS-6	U-9848	DS-18
TH-23082	TH-5	U-9243	U-6	U-9383	U-3	U-9550	DS-6	U-9849	DS-18
TH-23083	TH-5	U-9244	U-6	U-9384	U-3	U-9551	DS-6	U-9850	DS-18
TH-23084	TH-5	U-9251	J-14	U-9385	U-3	U-9552	DS-6	U-9853	DS-19
TH-23085	TH-5	U-9252	U-10	U-9386	U-3	U-9553	DS-8	U-9854	DS-19
TH-23086	TH-5	U-9254	U-8	U-9387	U-3	U-9554	DS-8	U-9855	DS-19
TH-23087	TH-5	U-9256	U-4	U-9388	U-2	U-9555	DS-8	U-9857	DS-17
TH-23089	TH-3	U-9257	U-3	U-9389	U-2	U-9556	DS-8	U-9858	DS-20
TH-23090	TH-3	U-9258	U-3	U-9390	U-2	U-9558	DS-8	U-9861	DS-18
TH-23091	TH-3	U-9266	U-5	U-9391	U-2	U-9559	DS-7	U-9862	DS-18
TH-23092	TH-3	U-9267	U-6	U-9392	U-2	U-9560	DS-7	U-9863	DS-16
TH-23093	TH-7	U-9268	U-6	U-9393	U-2	U-9561	DS-7	U-9866	DS-19
TH-23094	TH-7	U-9270	U-6	U-9394	U-2	U-9564	DS-8	U-9867	DS-19
TH-23095	TH-6	U-9271	U-6	U-9395	U-2	U-9565	DS-8	U-9870	DS-19
TH-23096	TH-6	U-9275	U-6	U-9396	U-2	U-9566	DS-9	U-9871	DS-19
TH-23097	TH-1	U-9276	U-7	U-9397	U-2	U-9567	DS-9	U-9874	DS-19
TH-23098	TH-6	U-9277	U-3	U-9398	U-2	U-9568	DS-6	U-9875	DS-24
TH-23099	TH-6	U-9278	U-7	U-9422	DS-3	U-9569	DS-6	U-9876	DS-24
U-9001	U-3	U-9280	U-5	U-9424	DS-3	U-9570	DS-6	U-9877	DS-20
U-9002	U-7	U-9281	U-5	U-9425	DS-5	U-9571	DS-6	U-9878	DS-20
U-9003	U-7	U-9282	U-6	U-9426	DS-4	U-9572	DS-8	U-9879	DS-20
U-9004	U-6	U-9283	U-6	U-9427	DS-4	U-9573	DS-8	U-9880	DS-24
U-9005	U-11	U-9284	U-6	U-9474	DS-3	U-9575	DS-8	U-9881	DS-24
U-9006	U-11	U-9292	U-3	U-9475	DS-5	U-9577	DS-7	U-9882	DS-20
U-9013	U-11	U-9293	U-1	U-9476	DS-4	U-9581	DS-8	U-9883	DS-20
U-9014	U-11	U-9294	U-2	U-9477	DS-4	U-9582	DS-8	U-9884	DS-20
U-9015	U-10	U-9295	U-2	U-9480	DS-4	U-9583	DS-9	U-9885	DS-23
U-9016	U-10	U-9296	U-3	U-9481	DS-10	U-9584	DS-9	U-9887	DS-23
U-9029	U-7	U-9300	U-1	U-9482	DS-10	U-9585	DS-6	U-9888	DS-23
U-9032	U-7	U-9301	U-1	U-9483	DS-2	U-9586	DS-6	U-9891	DS-24
U-9047	U-11	U-9302	U-3	U-9484	DS-2	U-9587	DS-6	U-9892	DS-24
U-9054	U-1	U-9303	U-3	U-9485	DS-2	U-9588	DS-6	U-9893	DS-24
U-9116	U-1	U-9304	U-3	U-9486	DS-2	U-9589	DS-8	U-9895	DS-24
U-9117	U-2	U-9307	U-5	U-9487	DS-2	U-9590	DS-8	U-9896	DS-24
U-9118	U-10	U-9308	U-8	U-9488	DS-2	U-9591	DS-8	U-9897	DS-23
U-9129	U-15	U-9309	U-8	U-9490	DS-9	U-9592	DS-8	U-9899	DS-23
U-9130	U-15	U-9313	U-6	U-9492	DS-9	U-9594	DS-7	U-9900	DS-23
U-9131	U-8	U-9316	U-10	U-9500	DS-12	U-9595	DS-7	U-9901	DS-23
U-9132	U-11	U-9315	J-14	U-9501	DS-12	U-9598	DS-8	U-9902	DS-23
U-9137	U-7	U-9318	U-4	U-9502	DS-12	U-9599	DS-8	U-9905	DS-22
U-9140	U-6	U-9335	U-1	U-9503	DS-12	U-9800	DS-14	U-9907	DS-22

MASTER INDEX

<i>Part#</i>	<i>Page#</i>	<i>Part#</i>	<i>Page#</i>	<i>Part#</i>	<i>Page#</i>	<i>Part#</i>	<i>Page#</i>	<i>Part#</i>	<i>Page#</i>
U-9908.....	DS-22	U-10023.....	J-14						
U-9909.....	DS-22	U-10024.....	J-14						
U-9910.....	DS-22	U-10025.....	J-14						
U-9911.....	DS-22	U-10026.....	J-14						
U-9912.....	DS-22	U-10028.....	J-14						
U-9915.....	DS-24, S-17	U-10029.....	J-14						
U-9916.....	DS-24, S-17	U-10030.....	J-14						
U-9917.....	DS-24, S-17	U-10031.....	J-14						
U-9918.....	DS-24, S-17	U-10032.....	J-14						
U-9919.....	DS-21, S-10	U-10033.....	U-4						
U-9920.....	DS-21, S-11	U-10034.....	U-4						
U-9921.....	DS-21, S-11	U-10035.....	U-4						
U-9924.....	DS-16	U-10036.....	U-13						
U-9925.....	DS-16	U-10037.....	U-13						
U-9927.....	DS-16	U-10038.....	U-13						
U-9928.....	DS-16	U-10039.....	U-4						
U-9932.....	DS-17	U-10040.....	U-4						
U-9933.....	DS-17	U-10041.....	U-4						
U-9935.....	DS-17	U-10042.....	U-9						
U-9936.....	DS-17	U-10043.....	U-9						
U-9938.....	DS-17	U-10044.....	U-9						
U-9939.....	DS-17	U-10047.....	U-5						
U-9940.....	DS-31	U-10066.....	U-15						
U-9941.....	DS-33	U-10067.....	U-15						
U-9942.....	DS-33	U-10068.....	U-15						
U-9943.....	DS-33	U-10069.....	U-15						
U-9944.....	DS-33	U-10070.....	U-4						
U-9945.....	DS-33	U-10071.....	U-4						
U-9946.....	DS-33	U-10072.....	U-9						
U-9947.....	DS-33	U-10073.....	U-9						
U-9949.....	DS-33	U-10074.....	U-10						
U-9951.....	DS-23, S-18	U-10075.....	U-15						
U-9952.....	DS-23	U-10076.....	U-15						
U-9961.....	DS-23	U-10077.....	U-15						
U-9965.....	DS-26	U-10078.....	U-15						
U-9966.....	DS-26	U-10079.....	DS-24, S-17						
U-9967.....	DS-27, S-13	U-10080.....	DS-24, S-17						
U-9968.....	DS-27, S-13	U-10081.....	U-15						
U-9969.....	DS-27, S-13	U-10082.....	U-15						
U-9970.....	DS-27, S-13	U-10083.....	U-15						
U-9971.....	DS-27, S-13	U-10084.....	U-15						
U-9972.....	DS-27, S-14	U-10085.....	U-15						
U-9973.....	DS-27, S-14	U-10086.....	U-15						
U-9974.....	DS-27, S-14	ZZ-20.....	R2-10						
U-9975.....	DS-9	ZZ-34.....	GD-17						
U-9976.....	DS-9	ZZ-57.....	GD-17						
U-9977.....	DS-7	ZZ-58.....	GD-17						
U-9978.....	DS-8	151641.....	C-24						
U-9980.....	DS-14	151649.....	C-24						
U-9982.....	DS-14	151650.....	C-24						
U-9983.....	DS-24	161791.....	N-63						
U-9989.....	DS-3	161792.....	N-63						
U-9990.....	DS-3	161793.....	N-63						
U-9991.....	DS-5	161794.....	N-64						
U-9992.....	DS-4	161795.....	N-64						
U-9993.....	DS-5	161796.....	N-64						
U-9996.....	U-8	161797.....	N-64						
U-9997.....	DS-21, S-10	161798.....	N-64						
U-10000.....	U-3	161850.....	N-63						
U-10001.....	U-3	163499.....	N-63						
U-10002.....	U-3								
U-10004.....	U-3								
U-10005.....	U-3								
U-10006.....	U-3								
U-10008.....	U-11								
U-10020.....	U-9								
U-10021.....	U-9								
U-10022.....	J-14								